

# HP StorageWorks XP12000 Disk Array site preparation guide

fourth edition (July 2005)

part number: AE002-96014

This guide contains site preparation information for the HP StorageWorks XP12000 Disk Array.



© 2004-2005, Hewlett-Packard Development Company, L.P. All rights reserved.

Hewlett-Packard Company makes no warranty of any kind with regard to this material, including, but not limited to, the implied warranties of merchantability and fitness for a particular purpose. Hewlett-Packard shall not be liable for errors contained herein or for incidental or consequential damages in connection with the furnishing, performance, or use of this material.

This document contains proprietary information, which is protected by copyright. No part of this document may be photocopied, reproduced, or translated into another language without the prior written consent of Hewlett-Packard. The information contained in this document is subject to change without notice.

Product names mentioned herein may be trademarks of their respective companies.

Hewlett-Packard Company shall not be liable for technical or editorial errors or omissions contained herein. The information is provided "as is" without warranty of any kind and is subject to change without notice. The warranties for Hewlett-Packard Company products are set forth in the express limited warranty statements accompanying such products. Nothing herein should be construed as constituting an additional warranty.

Printed in the U.S.A.

*HP StorageWorks XP12000 Disk Array Site Preparation Guide*

fourth edition (July 2005)

part number: AE002-96014

---

# Contents

About this guide	7
Related information	7
HP storage web site	7
Helpful web sites	7
HP technical support	8
HP sales and authorized resellers	8
Document conventions and symbols	9
Revision history	10
<b>1 Site prep team and tasks</b>	<b>11</b>
The site prep team	12
HP representatives	12
Customer	12
Site prep tasks	13
Site prep checklist	13
Site prep time allowances	16
<b>2 Site requirements</b>	<b>17</b>
Disk array physical specifications	18
Dimensions	19
Weights	19
Calculating the weight of your disk array configuration	22
Weight calculation example	24
General computer room requirements	25
Preventing electrostatic discharge	25
Safety requirements	27
Fire safety	27
Equipment servicing hazards	27
Electrical hazards	27

Raised floor requirements	28
Floor covering	29
Floor cutouts	29
Space planning requirements	32
The space planning process	32
Floor clearance	33
Environmental requirements	46
Altitude	46
Air conditioning	46
Temperature	47
Humidity	47
Mechanical vibration	48
Shock	49
Heat dissipation and power consumption	49
Acoustics	50
Dust and pollution control	50
Metallic particulate contamination	50
Data comm requirements	52
Electrical requirements	53
Line voltage	53
Branch circuit breakers	53
Frequency	54
Safety and dedicated ground	54
Grounding requirements	54
Receptacles	55
Power line transients	56
Maximum peak inrush and crest factor	57
Uninterruptible power supply (UPS)	58
Sources of electrical interference	59
Delivery space requirements	60
<b>3 Delivery and unpacking</b>	<b>61</b>
Checking for shipping shortage and damage	62
Unpacking the equipment	63
Packaging configurations	63
Required personnel	63
Required tools	63
Unpacking process	64

<b>A</b>	<b>Electrical specifications</b>	<b>69</b>
	AC line voltage requirements	70
	50-amp, single-phase DKC	70
	30-amp, single-phase DKC	70
	30-amp, three-phase DKC	71
	50-amp, single-phase DKU	71
	30-amp, single-phase DKU	72
	30-amp, three-phase DKU	72
	Receptacle part numbers and ordering information	73
	Three-phase cabling for the USA (60 Hz)	74
	Connecting the external power-supply cords	74
	Branch circuit requirements	75
	Three-phase AC cabling for Europe (50 Hz)	76
	Connecting the power-supply cords	76
	Branch circuit requirements	77
	Single-phase AC cabling for the USA	78
	Connecting the power-supply cords	78
	Branch circuit requirements	80
	Single-phase cabling for Europe	81
	Connecting the power-supply cords	81
	Branch circuit requirements	82

**Glossary 83**

**Index 91**



---

## About this guide

This guide is intended for anyone preparing a site for the installation of an HP StorageWorks XP12000 Disk Array. Unless otherwise noted, the term *disk array* refers to the HP StorageWorks XP12000 Disk Array.

## Related information

In addition to this guide, please refer to other documents for this product:

- *HP StorageWorks XP12000 Disk Array Owner's Guide*
- *HP StorageWorks Remote Web Console XP User Guide*
- *HP StorageWorks Command View XP Advanced Edition User Guide*
- *HP StorageWorks Disk Array XP Operating System Configuration Guide* (various operating systems)

To locate these documents, to learn more about HP software products, or to obtain software updates, visit the HP web site:

<http://h18006.www1.hp.com/storage/xparrays.html>

## HP storage web site

For the most current information about HP StorageWorks XP products, visit: <http://h18006.www1.hp.com/storage/arrayssystems.html>.

For information about product availability, configuration, and connectivity, contact your HP support representative.

## Helpful web sites

For third party product information, see the following web sites:

<http://www.hp.com/go/storage>

<http://www.hp.com/support>

## HP technical support

In North America, call technical support at 1-800-633-3600, available 24 hours a day, 7 days a week.

Outside North America, call technical support at the location nearest you. The HP web site lists telephone numbers for worldwide technical support at: <http://www.hp.com/support>. From this web site, select your country.

Collect the following information before calling:

- Technical support registration number (if applicable)
- Product serial numbers
- Product model names and numbers
- Applicable error messages
- Operating system type and revision level
- Detailed questions

For continuous quality improvement, calls may be recorded or monitored.

HP strongly recommends that customers sign up online using the Subscriber's choice web site at <http://www.hp.com/go/e-updates>. Subscribing to this service provides you with email updates on the latest product enhancements, newest drivers, and firmware documentation updates as well as instant access to numerous other product resources.

## HP sales and authorized resellers

To reach HP sales or find a local authorized reseller of HP products, call 1-800-282-6672 or visit the HP How To Buy web site:

<http://welcome.hp.com/country/us/en/howtobuy.html>

You can also find HP sales and resellers at <http://www.hp.com>. Click **Contact HP**.



# Document conventions and symbols

Table 1. Document conventions

Convention	Element
Blue text (Figure 1)	Cross-reference links
<b>Bold</b>	Menu items, button names, key names, tab names, and group box names
<i>Italics</i>	Text emphasis and document titles
<u>Blue underlined sans serif font</u> (www.hp.com)	Web site addresses

---

**Caution** Failure to follow directions could result in hardware or software damage.

---



---

### **Warning**

Failure to follow directions could result in personal injury or death.

---

## Revision history

September 2004	First edition
March 2005	Second edition
May 2005	Third edition
July 2005	Fourth edition

---

## Site prep team and tasks

The objective of a site prep is to prepare your site for the successful and timely installation of the HP XP12000 disk array. Proper site preparation is vital for the reliability of the disk array.

Site prep involves a careful balance of equipment design criteria, site environmental variables, your business needs, and your budget constraints.

In addition to this guide, other site prep resources may be available to you. The HP service organization is committed to making sure you receive maximum benefit from your disk array. HP representatives will guide and assist you throughout the site prep process.

---

## The site prep team

The site prep team plans, schedules, and completes all tasks necessary to prepare your site for successful disk array installation.

The site prep team consists of HP representatives and you, the customer.

### HP representatives

The HP team includes various HP representatives who have the training, knowledge, experience, tools, and parts required to install and maintain XP disk arrays. This team:

- Helps you to determine and implement the site requirements for your specific site and array configuration
- Coordinates all HP resources to ensure successful delivery and installation of the disk array

Your HP Sales Representative (SR) is your primary point of contact with HP during the site preparation process. Other HP representatives include the HP Customer Engineer (CE) who assists with disk array installation and maintenance, and the HP Application Software Engineer (ASE) who assists with disk array software installation and configuration.

### Customer

As part of the site prep team, your responsibilities include planning and preparing a suitable environment for the disk array, and scheduling equipment delivery and installation. However, HP representatives are available to help you throughout the site prep process. Your internal site team may include personnel specializing in your site computer room, such as your storage administrator and your site electrician.

---

## Site prep tasks

Contact your HP SR for assistance at any time during the site prep process.

1. If you have not printed a copy of this guide, HP recommends that you print at least [Chapter 2](#) and the “Site prep checklist” ([page 13](#)). Working from printed copies makes it easier to use the tools provided and provides hard copy documents that you can keep for your records.
2. Carefully review [Chapter 2](#) to understand the site requirements for the disk array. If you plan to connect additional external storage to the XP12000, be sure to take the requirements of that storage into account. See the documentation for the external system.
3. Use the information, instructions, and tools in [Chapter 2](#) to determine site requirements for the specific disk array components you ordered.
4. On the site prep checklist, answer each item “Yes” or “No” as it relates to your site. The checklist includes references to the pages in this guide where you can find more information on each item.
5. Checklist items that require a “Yes” answer are marked with asterisks (\*). If you answer “No” for any of these items, your site does not meet site requirements for the disk array. Using the information in [Chapter 2](#), correct the site environment so that you can answer “Yes” for each of these items.
6. When your site meets all site requirements, contact your HP SR to coordinate delivery of the disk array equipment.
7. If you choose to unpack the equipment cartons without HP supervision, follow the instructions in [Chapter 3](#).
8. Contact the HP SR to schedule disk array installation and configuration.

## Site prep checklist

Checklist items that require a “Yes” answer are marked with asterisks (\*). The customer summary information is included for the benefit of HP representatives, who will help you complete the checklist.

<b>Customer summary</b>			
Customer:	Date:		
Address:			
Contact:	Phone:		
<b>HP summary</b>			
HP SR:	Phone:		
HP representative:	Phone:		
<b>Safety</b>	<b>Yes</b>	<b>No</b>	<b>Reference</b>
Is there a fire protection system in the computer room?	* <input type="checkbox"/>	<input type="checkbox"/>	<a href="#">page 27</a>
Is the computer room free of any equipment servicing hazards (for example, electrical or data cables that obstruct access)?	* <input type="checkbox"/>	<input type="checkbox"/>	<a href="#">page 27</a>
<b>Computer room space planning</b>	<b>Yes</b>	<b>No</b>	<b>Reference</b>
Is the existing floor plan documented?	<input type="checkbox"/>	<input type="checkbox"/>	<a href="#">page 32</a>
Has a new floor plan been developed to include the new array?	* <input type="checkbox"/>	<input type="checkbox"/>	<a href="#">page 32</a>
Does the new floor plan include adequate space for airflow and servicing needs?	* <input type="checkbox"/>	<input type="checkbox"/>	<a href="#">page 32</a>
Does the new floor plan include the clearance required for the floor's load rating?	* <input type="checkbox"/>	<input type="checkbox"/>	<a href="#">page 33</a>
<b>Computer room infrastructure</b>	<b>Yes</b>	<b>No</b>	<b>Reference</b>
Is the computer room structurally complete (walls, floor, air conditioning system, and so on)?	* <input type="checkbox"/>	<input type="checkbox"/>	<a href="#">page 25</a>
Is the raised floor adequate for the equipment load?	* <input type="checkbox"/>	<input type="checkbox"/>	<a href="#">page 28</a>
Is antistatic flooring or mats installed?	* <input type="checkbox"/>	<input type="checkbox"/>	<a href="#">page 29</a>
Are there cutouts or channels for cable routing?	* <input type="checkbox"/>	<input type="checkbox"/>	<a href="#">page 29</a>
Is there a dedicated analog telephone line for "phone home" configuration?	* <input type="checkbox"/>	<input type="checkbox"/>	<a href="#">page 52</a>
Is a telephone line available for HP representative use?	* <input type="checkbox"/>	<input type="checkbox"/>	<a href="#">page 52</a>
Is a private LAN available?	* <input type="checkbox"/>	<input type="checkbox"/>	<a href="#">page 52</a>

<b>Computer room environment</b>	<b>Yes</b>	<b>No</b>	<b>Reference</b>
Can the temperature be maintained between 16° and 32° C?	* <input type="checkbox"/>	<input type="checkbox"/>	<a href="#">page 47</a>
Can temperature changes be held to less than 10° C per hour?	* <input type="checkbox"/>	<input type="checkbox"/>	<a href="#">page 47</a>
Can the humidity level be maintained between 20% and 80%?	* <input type="checkbox"/>	<input type="checkbox"/>	<a href="#">page 47</a>
Is the computer room protected against dust, pollution, and metallic particulate contamination?	* <input type="checkbox"/>	<input type="checkbox"/>	<a href="#">page 50</a>
Does the computer room support other environmental considerations (such as vibration and acoustics)?	* <input type="checkbox"/>	<input type="checkbox"/>	<a href="#">page 48– page 50</a>
<b>Computer room electrical</b>	<b>Yes</b>	<b>No</b>	<b>Reference</b>
Are two AC outlets, on different lines, available for the equipment?	* <input type="checkbox"/>	<input type="checkbox"/>	<a href="#">page 53</a>
Does the input voltage correspond to the DKC and DKU equipment specifications?	* <input type="checkbox"/>	<input type="checkbox"/>	<a href="#">page 53</a>
Are the input circuit breakers adequate for equipment loads?	* <input type="checkbox"/>	<input type="checkbox"/>	<a href="#">page 53</a>
Does the input frequency correspond to equipment specifications?	* <input type="checkbox"/>	<input type="checkbox"/>	<a href="#">page 54</a>
Is an appropriate uninterruptible power supply (UPS) strategy in place?	* <input type="checkbox"/>	<input type="checkbox"/>	<a href="#">page 58</a>
If lightning arresters are recommended, are they installed?	* <input type="checkbox"/>	<input type="checkbox"/>	<a href="#">page 59</a>
Have all sources of electrical interferences been corrected?	* <input type="checkbox"/>	<input type="checkbox"/>	<a href="#">page 59</a>
<b>Building access and security</b>	<b>Yes</b>	<b>No</b>	<b>Reference</b>
Does the customer site have access control (for example, will HP representatives need an escort)?	<input type="checkbox"/>	<input type="checkbox"/>	NA
Does the computer room have access control (for example, will HP representatives need a security code)?	<input type="checkbox"/>	<input type="checkbox"/>	NA
Are all floors, stairs, elevators, stairwalkers, lifts, ramps, or ladders needed to move the equipment adequate to support its weight and size?	* <input type="checkbox"/>	<input type="checkbox"/>	<a href="#">page 60</a>
Will the equipment fit through all doors and corridors and in lifts?	* <input type="checkbox"/>	<input type="checkbox"/>	<a href="#">page 60</a>
Does the building have a loading dock? Maximum access height is _____m.	<input type="checkbox"/>	<input type="checkbox"/>	NA
<b>Additional equipment</b>	<b>Yes</b>	<b>No</b>	<b>Reference</b>
For any additional equipment required (for example, connectors, receptacles, cables, and any equipment not supplied by HP), is the equipment on site and ready for use?	* <input type="checkbox"/>	<input type="checkbox"/>	NA

## Site prep time allowances

The following site prep tasks may require several weeks:

- Acquiring required power connectors
- Arranging for an electrician
- Adding or modifying air conditioning systems
- Making building alterations
- Placing an order for data comm equipment

The time between placing an equipment order and actual delivery can vary. Contact your HP representative to determine the best estimated delivery dates.



---

## Site requirements

Your site must meet the following requirements before HP can deliver and install the disk array:

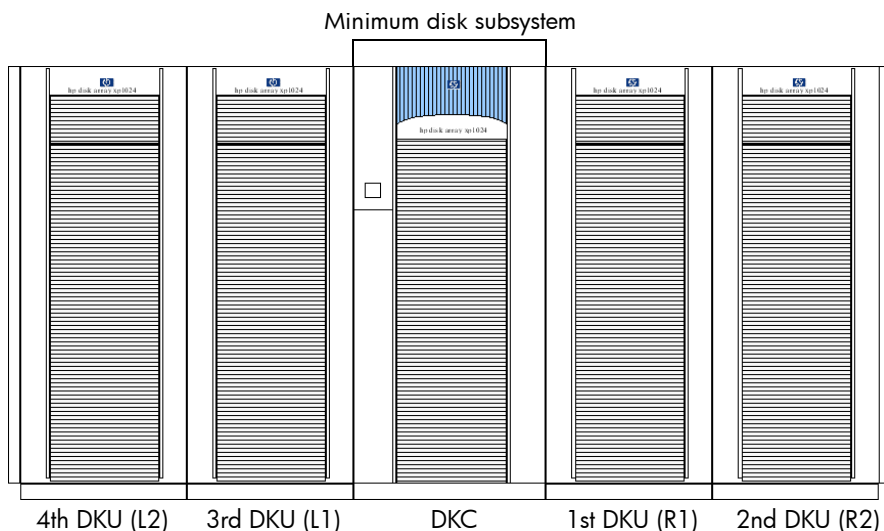
- General computer room requirements, [page 25](#)
- Safety requirements, [page 27](#)
- Raised floor requirements, [page 28](#)
- Space planning requirements, [page 32](#)
- Environmental requirements, [page 46](#)
- Data comm requirements, [page 52](#)
- Electrical requirements, [page 53](#)
- Delivery space requirements, [page 60](#)

---

## Disk array physical specifications

Use the information in this section to determine the total dimensions and weight for your specific array configuration. You will need these values to complete other procedures in this chapter.

The disk array includes one disk controller frame (DKC), and zero to four disk array frames (DKUs). The DKC contains the controller electronics for the disk array and some hard disk drives. The DKUs contain additional hard disk drives. [Figure 1](#) shows a disk array with four DKUs.



*Figure 1. Disk array minimum/maximum configuration*

Supported configurations are:

- One DKC (minimum configuration)
- One DKC and one DKU (R1)
- One DKC and two DKUs (R1 and R2 *or* R1 and L1)
- One DKC and three DKUs (R1, R2, and L1 *or* R1, L1, and L2)
- One DKC and four DKUs (maximum configuration)

## Dimensions

Use the packaged values when determining delivery space requirements (page 60), and unpackaged values during space planning (page 32).

Table 2. DKC and DKU dimensions

Dimension	DKC Unpackaged		DKC Packaged		DKU Unpackaged		DKU Packaged	
	cm	in	cm	in	cm	in	cm	in
Width	78.2 <sup>1</sup>	30.8	89	35.04	65	25.6	79	31.2
Depth	92.5	36.42	112.5	44.3	92.5	36.42	112.5	44.3
Height	186	73.23	202	79.52	186	73.23	202	79.52

<sup>1</sup> Includes two side panels of 1.6 cm (0.63 in.) width each.

## Weights

Use the approximate packaged weights when determining delivery space requirements (page 60), and unpackaged weights to calculate the total weight of your configuration (page 22).

Table 3 (page 20) provides the approximate weights for:

- Minimum configuration — base cabinet without additional product components
- Maximum configuration — base cabinet fully populated with product components

Table 3. DKC and DKU weights

Cabinet		Minimum configuration		Maximum configuration	
		kg	lb	kg	lb
DKC	Unpackaged	590	1300	875	1930
	Packaged <sup>1, 2</sup>	689	1518	989	2180
DKU	Unpackaged	429	945	739	1630
	Packaged <sup>1, 3</sup>	499	1100	853	1880

- 1 For shipments from the USA to locations outside the USA and Canada, add 59 kg (130 lb) for an international shipping crate.
- 2 Within the USA and Canada, most shipments use a special carrier process in which frames are shipped without pallets, ramps, and cartons. In these cases, the packaged weight is the unpackaged weight plus 23 kg (50 lb).
- 3 For upgrade DKU packaging (includes a ramp), add 29 kg (65 lb).

The main factor that increases total weight is the number of disk drives. The actual weight is the base cabinet weight plus the weight of all additional components installed.

Table 4 provides the approximate weights of additional disk array components when integrated into a DKC or DKU cabinet.

Table 4. Component weights

Product	Description	kg	lb
AE002A #001	Three-phase 30A/60Hz for XP12000 DKC	22.6	50
AE002A #002	Three-phase 30A/50Hz for XP12000 DKC	20	44
AE002A #003	Single-phase 50A/60Hz for XP12000 DKC	21.3	47
AE002A #004	Single-phase 50A/50Hz for XP12000 DKC	17.2	38
AE002A #005	Single-phase 30A/60Hz for standard XP12000 DKC	20	44
AE002A #006	Single-phase 30A/50Hz for standard XP12000 DKC	18.6	41
AE002A #007	Single-phase 30A/60Hz for minimum XP12000 DKC	15.9	35
AE002A #008	Single-phase 30A/50Hz for minimum XP12000 DKC	15	33

Table 4. Component weights (continued)

<b>Product</b>	<b>Description</b>	<b>kg</b>	<b>lb</b>
AE003A	XP12000 SVP High Reliability Support Kit	8.6	19
AE004A	XP12000 Power Control Interface Kit for Mainframe	0.5	1
AE006A	XP12000 16-port 1–2 Gbps FC SW CHIP pair	5	11
AE007A	XP12000 32-port 1–2 Gbps FC SW CHIP pair	5.9	13
AE008A	XP12000 FC SFP Transceiver LW	0.03	0.05
AE013A	XP12000 8-port 1–2 Gbps FICON SW CHIP pair	5.9	13
AE014A	XP12000 8-port 1–2 Gbps FICON LW CHIP pair	5.9	13
AE017A	XP12000 16-port EXSA CHIP pair	5.4	12
AE018A	HP XP12000 8-Port 1 Gbps NAS SW CHIP	6.5	14
AE024A	XP12000 DKC Power Supply	23.1	51
AE025A	XP12000 4 GB Cache Memory Module	0.2	0.5
AE027A	XP12000 Cache Platform Board	6.4	14
AE028A	XP12000 DKC-DKU Battery	13.7	30
AE030A	XP12000 1 GB Shared Memory Module	0.05	0.1
AE032A	XP12000 Shared Memory Platform Board	2.3	5
AE033A	XP12000 Cache Switch	3.6	8
AE034A	XP12000 Standard Performance ACP pair	5	11
AE040A	XP12000 Cable Set for DKU R1, basic	3.2	7
AE041A	XP12000 Cable Set for DKU R1, high performance	4.1	9
AE042A	XP12000 Cable Set for DKU L1, basic	4.1	9
AE043A	XP12000 Cable Set for DKU L1, high performance	4.5	10
AE044A	XP12000 Cable Set for DKU R2 or L2	2.3	5
AE045A #001	Three-phase 30A/60Hz for XP12000 DKU	22.6	50
AE045A #002	Three-phase 30A/50Hz for XP12000 DKU	20	44
AE045A #003	Single-phase 50A/60Hz for XP12000 DKU	21.3	47

Table 4. Component weights (continued)

Product	Description	kg	lb
AE045A #004	Single-phase 50A/50Hz for XP12000 DKU	17.2	38
AE045A #005	Single-phase 30A/60Hz for XP12000 DKU	20	44
AE045A #006	Single-phase 30A/50Hz for XP12000 DKU	18.6	41
AE046A	XP12000 High Performance FC-AL Disk Path	6.8	15
AE050A	XP12000 73 GB 15K rpm Array Group, four disks	4.5	10
AE050AS	XP12000 73 GB 15K rpm Spare Disk	1.4	3
AE051A	XP12000 146 GB 10K rpm Array Group, four disks	4.1	9
AE051AS	XP12000 146 GB 10K rpm Spare Disk	0.9	2
AE053A	XP12000 300 GB 10K rpm Array Group	4	9
AE053AS	XP12000 300 GB 10K rpm Spare Disk	1	2

## Calculating the weight of your disk array configuration

The total weight of your array configuration includes not just the DKC and DKU(s), but also the number of disk drives in each cabinet and any optional components. Your site must have adequate floor strength to support the total weight of the array, from the delivery area to the computer room.

Use the weight calculation worksheet ([page 23](#)) to calculate the total weight of your unpackaged array configuration, in your preferred units (kg or lb). See Table 6 ([page 24](#)) for an example of a completed worksheet.

Use the calculated total weight to estimate the required floor load rating for the computer room ([page 28](#)).

Table 5. Weight calculation worksheet

Units (kg or lb)				
Part Number	Description	Weight <sup>1</sup>	Quantity	Extended weight
		X	=	
		X	=	
		X	=	
		X	=	
		X	=	
		X	=	
		X	=	
		X	=	
		X	=	
		X	=	
		X	=	
		X	=	
		X	=	
		X	=	
		X	=	
		X	=	
		X	=	
		X	=	
		X	=	
		X	=	
		X	=	
<b>Total weight of your configuration</b>				

1 From Table 3 (page 20) or Table 4 (page 20).

## Weight calculation example

Table 6. Weight calculation worksheet example

Units (kg or lb)			Pounds (lb)	
Part Number	Description	Weight <sup>1</sup>	Quantity	Extended weight
AE002A	XP12000 Disk Control Frame (DKC)	1300 x	1 =	1300
AE002A #001	Three-phase 30A/60Hz for XP12000 DKC	50 x	1 =	50
AE007A	XP12000 32-port 1–2 Gbps FC SW CHIP pair	13 x	2 =	26
AE013A	XP12000 8-port 1–2 Gbps FICON SW CHIP pair	13 x	1 =	13
AE024A	XP12000 DKC Power Supply	51 x	1 =	51
AE025A	XP12000 4 GB Cache Memory Module	0.5 x	8 =	4
AE028A	XP12000 DKC-DKU Battery	30 x	4 =	120
AE030A	XP12000 1 GB Shared Memory Module	0.1 x	3 =	0.3
AE033A	XP12000 Cache Switch	8 x	1 =	8
AE034A	XP12000 Standard Performance ACP pair	11 x	2 =	22
AE040A	XP12000 Cable Set for DKU R1, basic	7 x	1 =	7
AE041A	XP12000 Cable Set for DKU R1, high performance	9 x	1 =	9
AE045A	XP12000 Disk Array Frame (DKU)	945 x	1 =	945
AE045A #001	Three-phase 30A/60Hz for XP12000 DKU	50 x	1 =	50
AE046A	XP12000 High Performance FC-AL Disk Path	15 x	1 =	15
AE051A	XP12000 146 GB 10K rpm Array Group, four disks	9 x	70 =	630
AE051AS	XP12000 146 GB 10K rpm Spare Disk	2 x	4 =	8
<b>Total unpackaged weight of your configuration</b>				<b>3258.3</b>

<sup>1</sup> From Table 3 (page 20) or Table 4 (page 20).



---

## General computer room requirements

The goal of a computer room is to maintain an ideal environment for computer equipment, including XP disk arrays.

Make sure your computer room adheres to all national and local building codes for a data center/computer room environment.

HP recommends that you follow these general guidelines:

- Locate the computer room away from exterior walls of the building to avoid the heat gain from windows and exterior wall surfaces.
- When exterior windows are unavoidable, use windows that are double or triple glazed and shaded to prevent direct sunlight from entering the computer room.
- Maintain the computer room at a positive pressure relative to the surrounding spaces to reduce introduction of contaminants.
- Install a vapor barrier around the entire computer room envelope (floors/walls/ceiling) to help keep moisture out of the room. This is especially important if your computer room is located underground.
- Caulk and vapor-seal all pipes and cables that penetrate the computer room envelope.

## Preventing electrostatic discharge

Electrostatic discharge (ESD) can cause component damage, especially during servicing operations.

Static charges occur when objects are separated or rubbed together. The voltage level of a static charge is determined by the following factors:

- Types of materials
- Relative humidity — low humidity increases ESD voltage.
- Rate of change — a standard air conditioner cools the air and lowers humidity. The faster the air is cooled and dried, the greater the likelihood of ESD.

- Separation — refers to the static discharge that can be generated when two objects are separated. For example, printer paper is often stored in cool dry conditions. If opened and used immediately, the act of removing the paper from its box generates static. To allow the static to discharge gradually over time, leave the box open in the computer room for several hours before use.

Follow these precautions to minimize possible ESD-induced failures in your computer room:

- Install conductive flooring (conductive adhesive must be used when laying tiles).
- Use conductive wax if waxed floors are installed.
- Ensure that all equipment and flooring are properly grounded and are at the same ground potential.
- Use conductive tables and chairs.
- Store spare electric parts in antistatic containers.
- Maintain recommended humidity level and airflow rates.

---

## Safety requirements

When making decisions concerning site safety, your first concern should be the safety of your personnel and then the safety of your equipment.

Fundamental safeguards for disk arrays should include a site well away from any sources of potential damage.

If you have any questions on site safety, consult your HP representative, your insurance carrier, and local building inspectors for safety recommendations.

### Fire safety

Do not install or operate the disk array in an environment where there is a risk of fire or explosion due to the presence of highly flammable gases, volatile liquids, or combustible dust.

Consult your insurance carrier and local fire department for fire safety suggestions. They can analyze your existing fire control systems and advise you on any required changes. If you are building a new site or making structural changes to an existing site, consult your local building codes for fire prevention and protection guidelines.

### Equipment servicing hazards

Your staff and HP service personnel require safe access to the disk array. Running electrical and data communication cables underneath your computer room's raised floor is the best way to ensure that they do not create a safety hazard.

### Electrical hazards

The disk array equipment racks contain dangerous voltages. To prevent injury or death from electric shock, refer all electrical installation and service to qualified personnel.

---

## Raised floor requirements

The computer room floor must be able to support the total weight of the equipment as well as localized weight at each caster or foot of the equipment cabinets. A common method of preparing an adequate floor for a computer room is to construct a raised floor over the building floor. A raised floor:

- Allows weight to be spread evenly across the floor
- Provides an under-floor area for running interconnecting cables conveniently and unobtrusively
- Allows optimum distribution of conditioned air



---

### Warning

If metal is used in the construction of the raised floor, ensure that there is a common ground connection between the raised floor and main floor to avoid possible build up of static voltage. Failure to comply can result in serious injury to personnel and damage to equipment.

---

Requirements for raised floors:

- Raised floor access ramps must not exceed a 10° slope.
- Use a 25 to 31 cm (10 to 12 inch) raised floor system for the most favorable room air distribution system.
- Grid panels must be at least 45 x 45 cm (17.72 x 17.72 in).
- The floor must have a load rating between 300 and 500 kg per square meter (553 to 921.7 lb per square yard, or 61.4 to 102.4 lb per square foot). The maximum point floor loading is 500 kg (1102.3 lb).

To estimate the load rating you need for your floor, consider the total weight of all of these items:

- The disk array; see “Weights” ([page 19](#))
- Other equipment

- Furniture such as desks, chairs, and storage cabinets
- Computer room personnel
- Moving equipment such as forklifts, dollies, and similar items

The lower the floor load rating, the more clearance is required around the array to distribute the equipment weight correctly. If your computer room is too small to allow for minimum required clearance around the array, you may need to increase the floor load rating. For more on required clearance, see “Floor clearance” ([page 33](#)).

## Floor covering

HP recommends the use of a tiled raised floor.

---

**Caution** *HP strongly discourages the use of carpeting, including antistatic varieties, within 6.0 m (20 ft.) of the disk array. Over time, carpeting may shed dust that can cause problems with the disk array.*

---

---

**Caution** *If your computer room has carpeting, place static discharge mats so that personnel must walk across them before touching any part of the array. Failure to comply with this precaution can result in equipment damage through static discharge.*

---

## Floor cutouts

Figure 2 ([page 30](#)) and Figure 3 ([page 31](#)) show the locations of floor cutouts under the DKC and DKU. Basically, position floor cutouts toward the center of the cabinet. The position may be off-center as long as the cutout is within the allowable range and allows smooth entrance of an external cable (check the relationship between the position of the cutout and the opening on the bottom of the cabinet).

## DKC floor cutouts

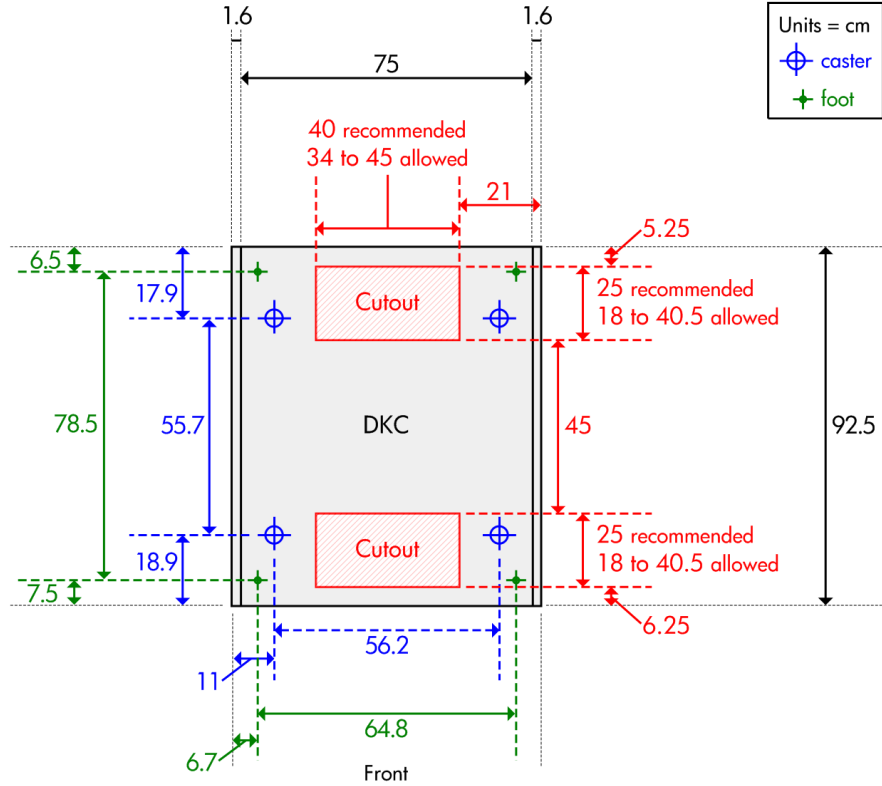


Figure 2. DKC floor cutouts

## DKU floor cutout

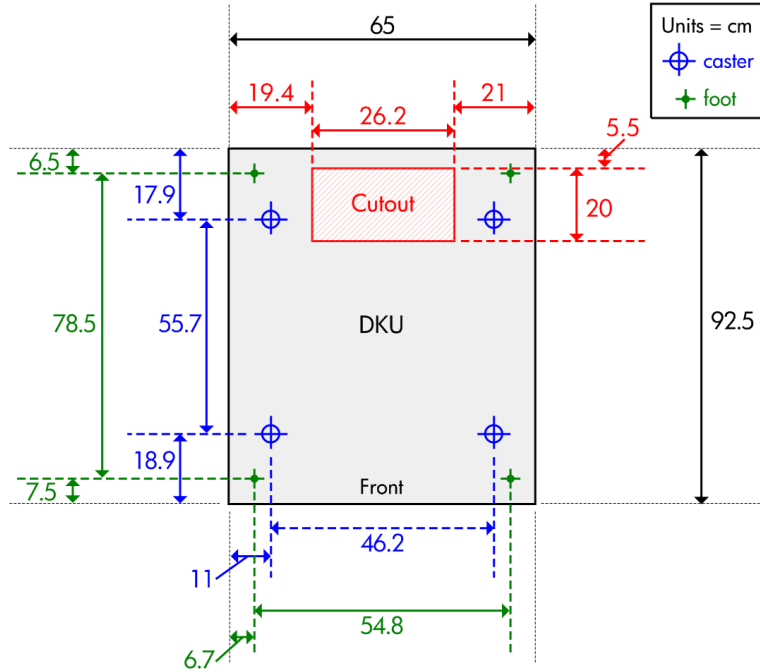


Figure 3. DKU floor cutout

---

# Space planning requirements

Space planning involves making sure that your computer room:

- Is large enough to hold the new array and other equipment and furniture
- Provides minimum clearance around the array for service access and to ensure proper weight distribution on the computer room's floor
- Includes correctly positioned floor cutouts for the array's power and data cables

## The space planning process

1. Document your computer room's existing floorplan, including the locations of:
  - Immovable objects, such as structural support columns
  - Walls
  - All equipment, furniture, cabinets, racks, data comm equipment, and systems
  - Floor cutouts
  - Electrical outlets
  - Interconnecting cables and power cords, including lengths
  - Floor vents
2. Develop a new floorplan that includes the locations of:
  - Immovable objects from your existing floorplan
  - Walls
  - The array with required clearance; see "Floor clearance" ([page 33](#))
  - All other equipment, furniture, cabinets, racks, data comm equipment, and systems
  - Floor cutouts; see "Floor cutouts" ([page 29](#))
  - Electrical outlets



- Interconnecting cables and power cords (keep cables away from traffic areas to help prevent accidents and equipment failures)
  - Floor vents
  - Enough space and lighting for people to work effectively on a daily basis and for periodic equipment servicing
  - Flexibility to accommodate additional equipment as your requirements increase
3. Implement the new floor plan, leaving empty space where the array will be installed. If the new floorplan requires construction changes, consult with local contractors and your HP representatives.

## Floor clearance

The total floor clearance required for the disk array includes:

- The actual space required by the equipment.
- Service clearance — the floor space required to access the disk array. Never use this space for storage.
- Additional space required to properly distribute the equipment weight on your computer room's raised floor. The amount of additional space required depends on your floor load rating.

To determine the floor clearance required for your disk array configuration:

1. Refer to the appropriate diagram for your array configuration:
  - DKC only—Figure 4 ([page 36](#))
  - DKC with one DKU—Figure 5 ([page 38](#))
  - DKC with two DKUs—Figure 6 ([page 40](#))
  - DKC with three DKUs—Figure 7 ([page 42](#))
  - DKC with four DKUs—Figure 8 ([page 44](#))

2. In the floor clearance diagram:
  - Clearance “A” is the space between the service clearance at the left side of the array (10 cm minimum for installing the kickplate) and any other object, such as a desk or wall.
  - Clearance “B” is the space between the service clearance at the right side of the array (10 cm for the kickplate) and any other object.
  - Clearance “C” is the space between the service clearance at the front of the array and any other object.

You use the value of C and your floor load rating to determine the values for A and B.

3. Determine how much space you can assign to clearance C. For maintenance purposes, try to make C larger (100 cm) rather than smaller (0 cm). The smaller C is, the larger A and B must be.
4. In the table after the diagram, find the column that most closely matches the size of C. If your C value is in between two table values, use the larger table value. Then, find the row for your floor load rating. Where the column and row intersect is the A+B value.
5. To determine clearance A and clearance B, divide the A+B value between A and B. They do not need to be equal. For example, if the A+B value from the table is 60 cm, then A can be 40 cm and B can be 20, or both A and B can be 30. However, if your configuration includes only a DKC, or a DKC and one DKU, then A must be at least 28 cm (11.1 in) to allow for opening the DKC front door.

6. Calculate the floor clearance for the array:

Table 7. Calculating floor clearance

	<b>Left</b> (add down)	<b>Right</b> (add down)	<b>Front</b> (add down)	<b>Back</b> (add down)
<b>Clearance values</b>	A = _____ +	B = _____ +	C = _____ +	Not applicable
<b>Plus minimum service clearance</b>	10 cm (3.94 in) =	10 cm (3.94 in) =	80 cm (31.5 in) =	80 cm (31.5 in)
<b>Equals minimum floor clearance</b>				80 cm (31.5 in)

## Floor clearance — DKC only

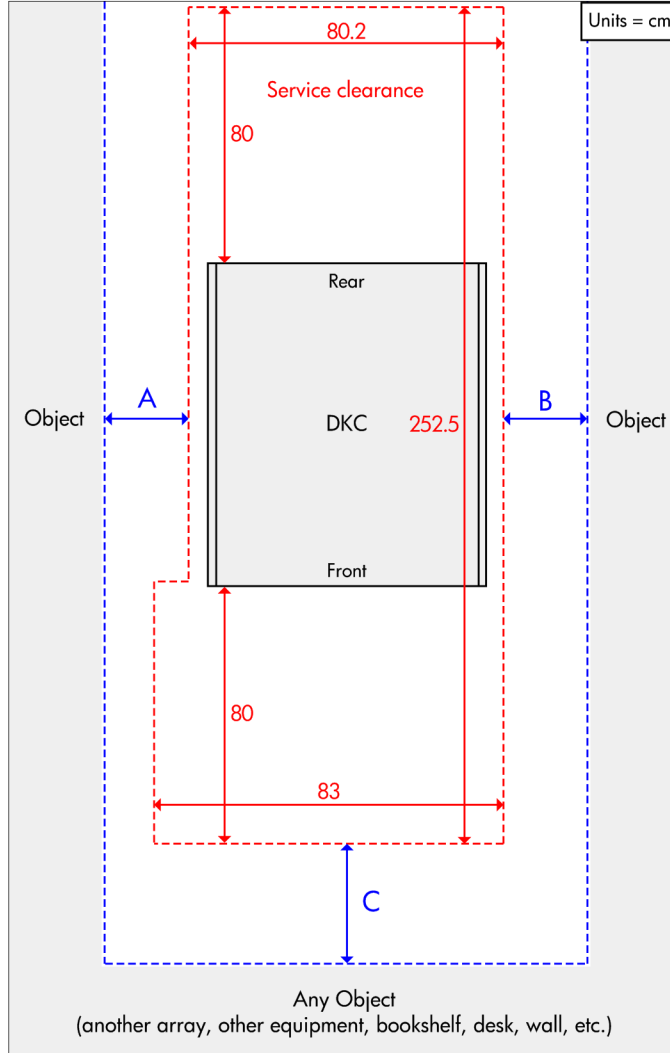


Figure 4. Floor clearance — DKC only

For an explanation of this diagram, see step 2 (page 34).

Table 8. A+B based on C and floor load rating — DKC only

<b>Floor load rating (kg/m<sup>2</sup>)</b>	<b>C=0, A+B must =</b>	<b>C=20 cm (7.9 in), A+B must =</b>	<b>C=40 cm (15.8 in), A+B must =</b>	<b>C=60 cm (23.6 in), A+B must =</b>	<b>C=100 cm (39.4 in), A+B must =</b>
500	40	30	20	0	0
450	50	40	30	20	0
400	80	60	50	40	20
350	110	90	80	60	40
300	170	140	120	100	80

## Floor clearance — DKC and one DKU

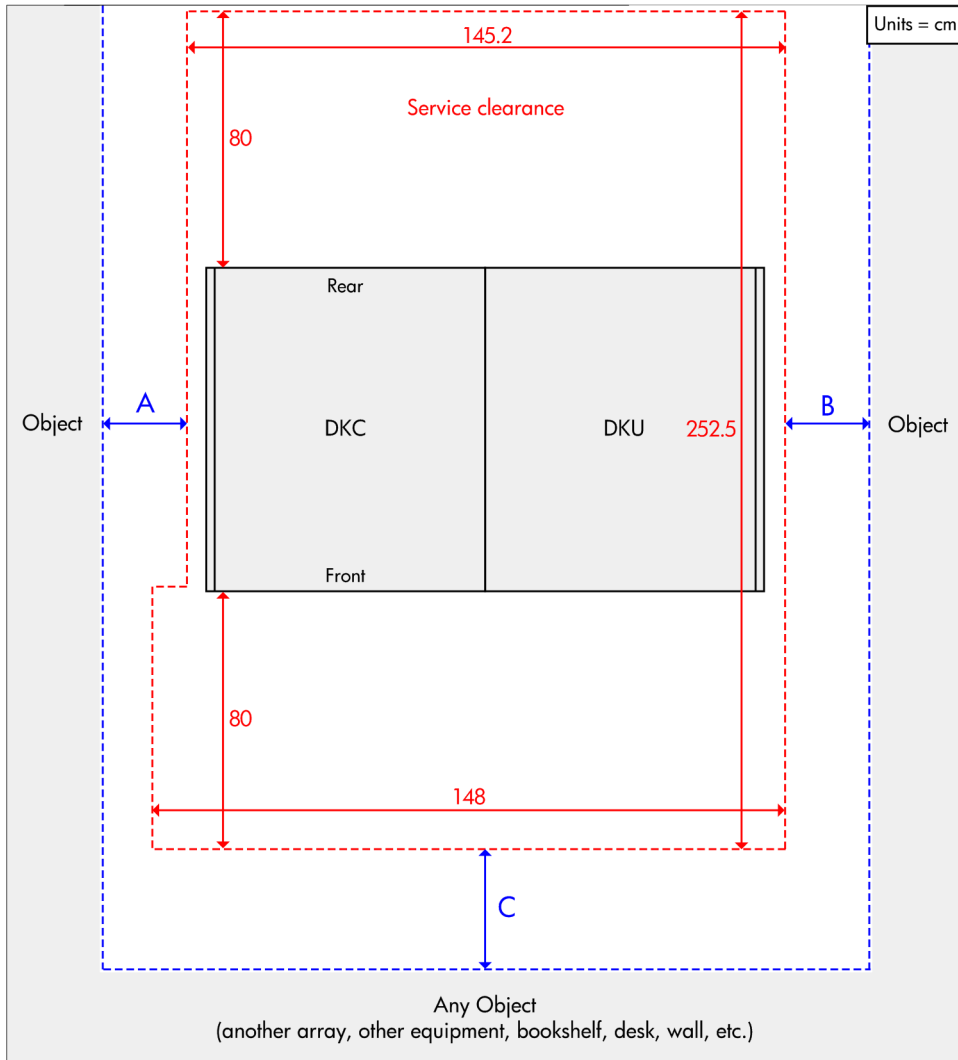


Figure 5. Floor clearance — DKC and one DKU

For an explanation of this diagram, see step 2 (page 34).

Table 9. A+B based on C and floor load rating — DKC and one DKU

<b>Floor load rating (kg/m<sup>2</sup>)</b>	<b>C=0, A+B must =</b>	<b>C=20 cm (7.9 in), A+B must =</b>	<b>C=40 cm (15.8 in), A+B must =</b>	<b>C=60 cm (23.6 in), A+B must =</b>	<b>C=100 cm (39.4 in), A+B must =</b>
500	80	60	40	20	0
450	110	90	70	50	20
400	160	130	100	80	50
350	230	190	160	130	90
300	330	280	240	210	160

## Floor clearance — DKC and two DKUs

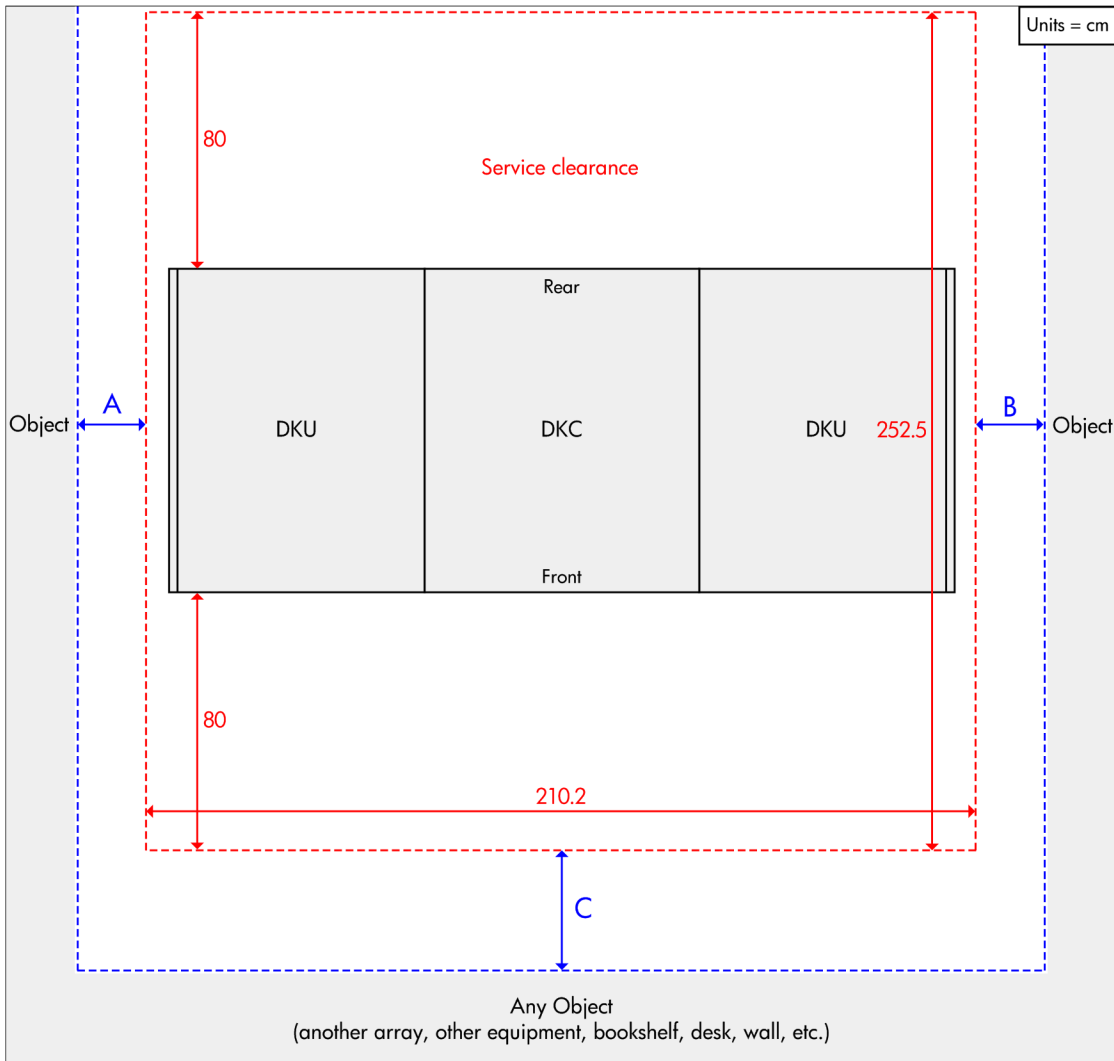


Figure 6. Floor clearance — DKC and two DKUs

For an explanation of this diagram, see step 2 (page 34).



Table 10. A+B based on C and floor load rating — DKC and two DKU

<b>Floor load rating (kg/m<sup>2</sup>)</b>	<b>C=0, A+B must =</b>	<b>C=20 cm (7.9 in), A+B must =</b>	<b>C=40 cm (15.8 in), A+B must =</b>	<b>C=60 cm (23.6 in), A+B must =</b>	<b>C=100 cm (39.4 in), A+B must =</b>
500	120	90	60	40	0
450	170	130	100	70	30
400	240	200	160	130	80
350	340	280	240	200	140
300	500	430	370	320	240

## Floor clearance — DKC and three DKUs

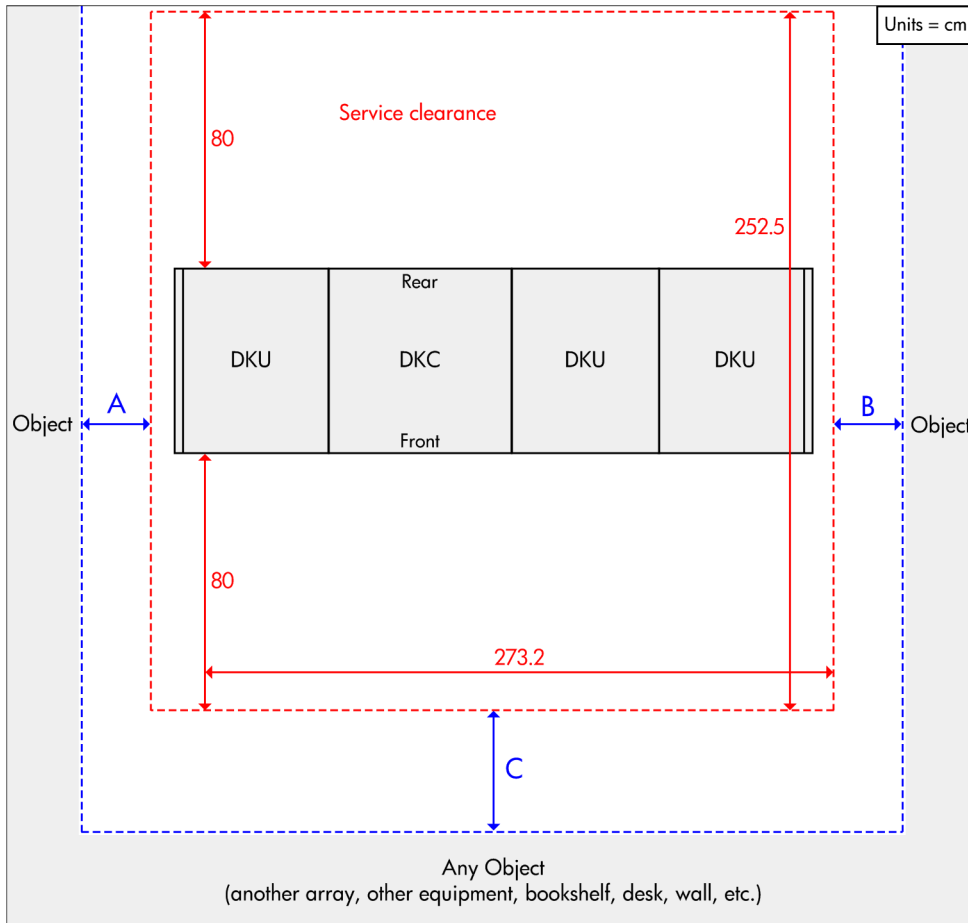


Figure 7. Floor clearance — DKC and three DKUs

For an explanation of this diagram, see step 2 (page 34).

Table 11. A+B based on C and floor load rating — DKC and three DKUs

<b>Floor load rating (kg/m<sup>2</sup>)</b>	<b>C=0, A+B must =</b>	<b>C=20 cm (7.9 in), A+B must =</b>	<b>C=40 cm (15.8 in), A+B must =</b>	<b>C=60 cm (23.6 in), A+B must =</b>	<b>C=100 cm (39.4 in), A+B must =</b>
500	160	120	80	50	0
450	230	180	140	100	50
400	320	260	210	170	100
350	460	380	320	270	190
300	660	570	490	420	320

## Floor clearance — DKC and four DKUs

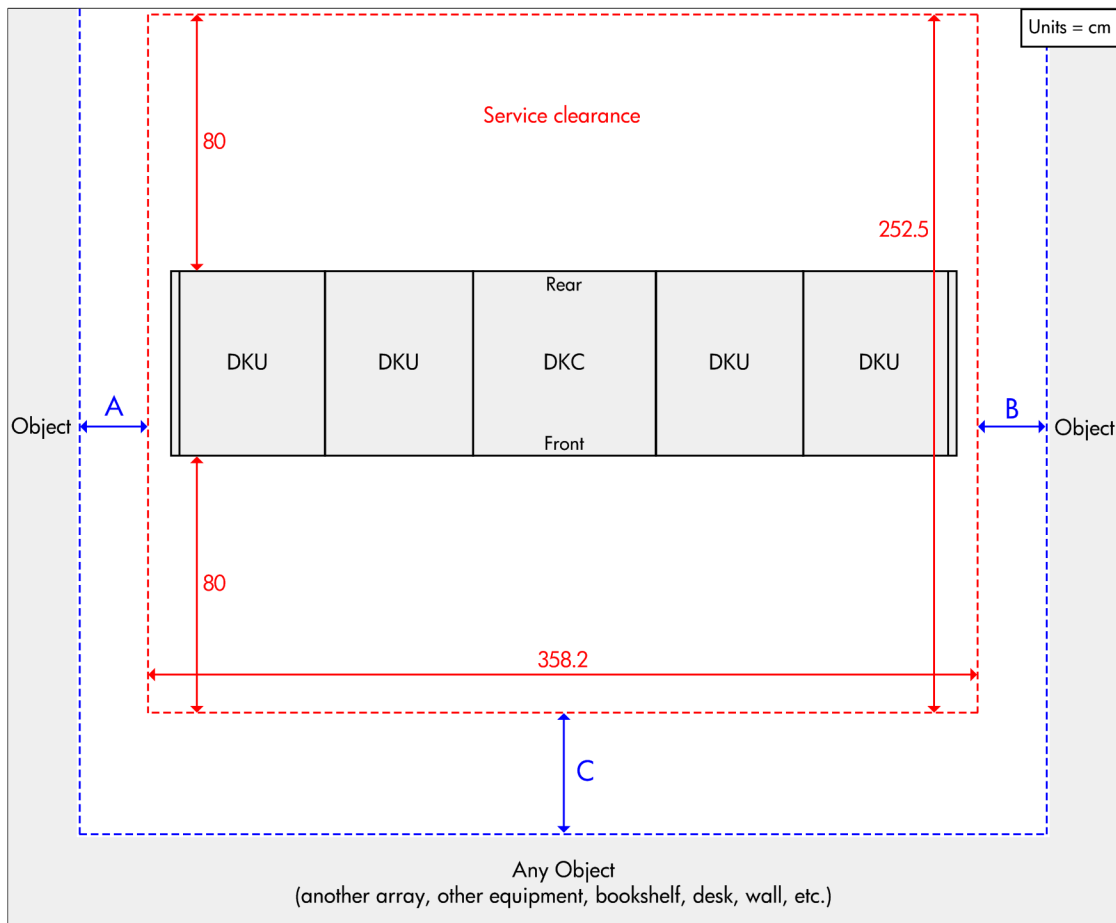


Figure 8. Floor clearance — DKC and four DKUs

For an explanation of this diagram, see step 2 (page 34).

Table 12. A+B based on C and floor load rating — DKC and four DKUs

<b>Floor load rating (kg/m<sup>2</sup>)</b>	<b>C=0, A+B must =</b>	<b>C=20 cm (7.9 in), A+B must =</b>	<b>C=40 cm (15.8 in), A+B must =</b>	<b>C=60 cm (23.6 in), A+B must =</b>	<b>C=100 cm (39.4 in), A+B must =</b>
500	200	150	100	70	0
450	290	230	170	130	60
400	410	330	270	210	130
350	570	480	400	340	240
300	830	710	610	530	400

---

## **Environmental requirements**

The environmental specifications for operating your disk array must be satisfied before installation.

### **Altitude**

The maximum altitude for disk array operation is 3,000 meters. For nonoperational or storage situations, the maximum altitude is 4,000 meters.

### **Air conditioning**

Use separate computer room air conditioning duct work. If it is not separate from the rest of the building, it might be difficult to control cooling and air pressure levels. Duct work seals are important for maintaining a balanced air conditioning system and high static air pressure. Adequate cooling capacity means little if humidity levels increase when the ducts are exposed to warm air, producing condensation. Condensation on any disk hardware can damage the components.

Any questions regarding the adequacy of airflow construction should be referred to and evaluated by a qualified structural engineer.

# Temperature

Table 13. Temperature specifications

Temperature range type	Range
Recommended operating temperature range	21° to 24° C 70° to 75° F
Operating temperature	16° to 32° C 61° to 89° F
Nonoperating temperature range	-10° to +43° C 14° to 109° F
Shipping and storage temperature (product packed in factory packing)	-25° to +60° C -13° to +140° F
Temperature shock immunity (maximum rate of temperature change)	10° C per hour 18° F per hour
Over-temperature warning	At 40° C At 104° F
Over-temperature shutdown	At 60° C At 140° F

# Humidity

Maintain proper humidity levels. High humidity levels cause galvanic actions to occur between some dissimilar metals. This eventually causes a high resistance between connections, leading to equipment failure.

Low humidity contributes to undesirably high levels of electrostatic charges. This increases the electrostatic discharge (ESD) voltage potential. ESD can cause component damage during servicing operations.

Low humidity levels are often the result of the facility heating system and occur during the cold season. Most heating systems provide air with a low humidity level, unless the system has a built-in humidifier.

You should not see any condensation in or around the disk array under any conditions. There is no procedure for recovery from moisture condensation.

Table 14. Humidity specifications

Humidity range type	Noncondensing relative humidity (RH)
Recommended operating humidity range at 22° C (71° F)	50% to 55%
Operating humidity range at 22° C (71° F)	20% to 80%
Nonoperating humidity range	8% to 90%
Shipping and storage humidity range (product packed in factory packing)	5% to 95%
Operating maximum wet bulb temperature	26° C (79° F)
Nonoperating maximum wet bulb temperature	27° C (81° F)
Shipping and storage maximum wet bulb temperature	29° C (84° F)

## Mechanical vibration

Continuous vibration can cause a slow degradation of mechanical parts and, when severe, can cause data errors in disk drives. Mechanical connections such as printed circuit assembly (PCA) conductors, cable connectors, and processor backplane wiring can also be affected by vibrations. Vibration specifications apply to all three axes.

Table 15. Mechanical vibration specifications

Condition	Specification
Operating	0.25 mm, 5–10 Hz 0.05 G, 10–300 Hz
Nonoperating	2.5 mm, 5–10 Hz 0.5 G, 10–70 Hz 0.05 mm, 70–99 Hz 1.0 G, 99–300 Hz
Shipping and storage (product packed in factory packing)	0.5 G, 15 min. <sup>1</sup> at four most severe resonances between 5–200 Hz

<sup>1</sup> See ASTM D999-91 Standard Methods for Vibration Testing of Shipping Containers.



# Shock

Table 16. Shock specifications

Condition	Specification
Operating	None
Nonoperating	8 G, 15 ms
Shipping and storage (product packed in factory packing)	Horizontal: <sup>1</sup> Incline impact: 1.22 m/s  Vertical: <sup>2</sup> Rotational edge: 0.1 m

- 1 See ASTM D5277-92 Standard Test Methods for Performing Programmed Horizontal Impacts Using an Inclined Impact Tester.
- 2 See ASTM D1083-91 Standard Test Methods for Mechanical Handling of Unitized Loads and Large Shipping Cases and Crates.

## Heat dissipation and power consumption

Table 17 describes the heat dissipation and power consumption of the XP12000 when loaded with the maximum number of disk drives.

Table 17. Heat dissipation and power consumption specifications

Parameter	DKC	Each DKU	Full array (1 DKC and 4 DKUs)
Power consumption (kVA)	8.45	7.50	38.45
Heat dissipation (kW)	8.02	6.75	35.02
BTUs per hour	27370	23036	119514
kcal per hour	6897	5805	30117

## Acoustics

The acoustic emission specifications for the disk array are:

- 8.27 Bels (A) sound power
- 65 dB (A) sound pressure, operator position (1 meter from the floor and surface of the cabinet)

You can reduce the ambient noise level caused by equipment and air conditioning blowers in your computer room by:

- Installing a dropped ceiling covered in commercial-grade, fire-resistant, acoustic-rated, fiberglass ceiling tile
- Covering the walls in sound-deadening material
- Installing foam rubber removable partitions

## Dust and pollution control

Airborne contaminants and particles of a certain size and hardness can damage the disk array. Some of the most common contaminants are dust, smoke, ash, eraser debris, food crumbs, and salty air.

Mechanical filters on the disk array protect it by trapping large dust particles. Smaller particles can pass through some filters, and can eventually cause problems in mechanical parts. Prevent small dust particles from entering the computer room by maintaining its air conditioning system at a high static air pressure level.

Your HP representative can help you determine if you need to be concerned about airborne contaminants.

## Metallic particulate contamination

Metallic particulates can be especially harmful around electronic equipment. This type of contamination may enter the data center environment from a variety of sources, including but not limited to raised floor tiles, worn air conditioning parts, heating ducts, rotor brushes in

vacuum cleaners, or printer component wear. Because metallic particulates conduct electricity, they have an increased potential for creating short circuits in electronic equipment.

Over time, very fine whiskers of pure metal can form on electroplated zinc, cadmium, or tin surfaces. If these whiskers are disturbed, they may break off and become airborne, possibly causing failures or operational interruptions. For over 50 years, the electronics industry has been aware of the relatively rare but possible threat posed by metallic particulate contamination. During recent years, a growing concern has developed in computer rooms where these conductive contaminants are formed on the bottom of some raised floor tiles.

Although this problem is relatively rare, it may be an issue within your computer room. Since metallic contamination can cause permanent or intermittent failures on your electronic equipment, HP strongly recommends that your site be evaluated for metallic particulate contamination before installation of electronic equipment.

---

## Data comm requirements

Route data comm cables away from areas of high static electric fields created by power transformers and heavy foot traffic. Use shielded data comm cables that meet approved industrial standards to reduce the effects of external fields.

For the XP disk array, you need:

Table 18. Computer room data comm requirements

Item	Description
A dedicated analog phone line	Needed for the HP StorageWorks Continuous Track XP “phone home” feature, if you plan to use it. An HP representative will configure Continuous Track XP during installation. For more information on Continuous Track XP, see the <i>HP StorageWorks XP12000 Disk Array Owner’s Guide</i> .
A twisted pair (Cat 5) cable An available LAN drop on your Intranet	Needed to connect the XP12000 to an available Ethernet port on your public LAN. To ensure network security, consult with an HP representative and your network administrator before selecting the appropriate location of your LAN drop.
A public voice phone line near the disk array	Needed to allow your staff and HP representatives to communicate inside and outside your site.

---

# Electrical requirements

## Line voltage

Line voltage (AC) at the wall power outlet is a function of the local power utility and your building power distribution network. Voltages outside of the operating range of the disk array can cause intermittent system errors or a complete system shutdown. If required, an HP representative and your electrician can determine the current line voltage and make recommendations. See [Appendix A](#) for specific AC line voltage requirements.

Avoid the use of a line voltage conditioner.

Make sure that a power distribution unit (if used) provides the correct voltage to support your entire system.

## Branch circuit breakers

See [Appendix A](#) for specific branch circuit requirements for your power situation.

### Three-phase branch circuit breakers

The power cords supplied with each DKC or DKU configured for three-phase power are sized for connection to a 30-amp circuit.

### Single-phase branch circuit breakers

The power cords supplied with each DKC or DKU configured for single-phase power are sized for connection to a 30- or 50-amp circuit.

*Note* 30-amp, single-phase power is available by special order only.

## Frequency

Usually, AC line frequency is determined by your local power providers. In some cases, electrical power is supplied by generators. Shifts in AC line frequency can cause system errors. An HP representative can monitor the frequency of the input AC line power and make recommendations, if necessary. The disk array requires that the line frequency be within 0.5 Hz of the rated line frequency (50 Hz or 60 Hz).

See [Appendix A](#) for more information.

## Safety and dedicated ground

The primary reason for grounding electrical systems is safety. The safety ground is required by the National Electric Code (USA) and most other local, regional, and national codes. In addition to safety ground, HP requires that a dedicated (earth reference) ground be installed as a common reference point for all system components. Consult with an HP representative and your electrician to ensure that your electrical system meets all local and national safety codes.

## Grounding requirements

Your site's electrical subsystem must meet all of the following conditions:

- Grounding as prescribed by your local country codes.
- An insulated grounding conductor that is identical in size and insulation material and thickness to the ungrounded branch-circuit supply conductors. It should be green, with or without yellow stripes, and is to be installed as a part of the branch circuit that supplies the unit or system. This means the ground conductor must be run in the same conduit, armored cable, or other cable bundle as the phase wires.
- The grounding conductor should be grounded to earth at the service equipment or other acceptable building earth ground such as the building frames (in case of a high-rise steel-frame structure).
- IT-configured grounding systems are not certified for use with the disk array as these grounding systems may not have solidly

conductor-connected grounded power systems and/or they may have resistive impedance inserted in ground and/or neutral lines. The disk array requires a solidly conductor-connected ground and may require a separate neutral in the case of WYE or STAR connections. For HP disk arrays, TN grounding systems are preferred.

## Receptacles

Each disk array cabinet has two or four separate connections to AC power.

- For disk array cabinets with two connections to AC power, each input must be capable of supporting the entire current demand for the cabinet.
- For disk array cabinets with four connections to AC power, the two inputs to AC Box 1 or the two inputs to AC Box 2 must be capable of supporting the entire current demand for the cabinet.

Figure 9 shows two examples of the fault-tolerant operation of the disk array.

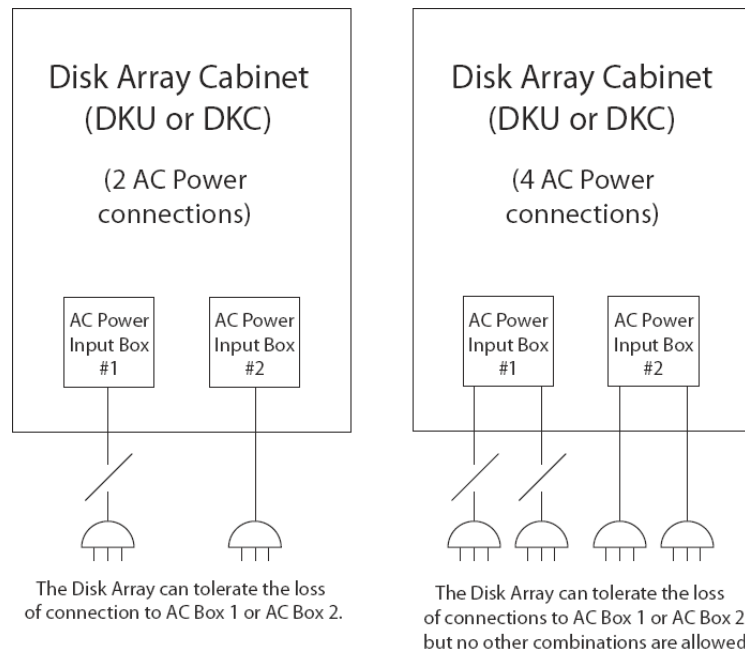


Figure 9. Examples of fault-tolerant power connections

When receptacles are used to connect disk array components to AC power, they must include a dedicated ground connection that is insulated from the receptacle. It is important that the receptacle box be grounded with an additional ground connection that is separate from the dedicated ground. The additional ground can be hard conduit.

Specific power plugs and receptacles are required for the DKC and DKUs depending on the power option you specify when ordering the HP XP12000 disk array. The power cords on 60 Hz cabinets are shipped with plugs attached and connected. The power cords on 50 Hz cabinets are shipped without plugs. You are responsible for having the correct plugs and receptacles installed by an electrician in compliance with local electrical requirements and practices.

---

**Caution** *When installing the receptacles, the electrician must ensure that each receptacle has its own neutral (if required) and ground. Using the same neutral/ground for more than one circuit causes voltage loss and heat problems and can create a fire hazard. A shared neutral conductor that fails open-circuit can cause overvoltage damage to equipment.*

---

See [Appendix A](#) for specific plug and receptacle part numbers and ordering information.

## Power line transients

Heavy electrical loads from nearby machinery or equipment (for example, elevators or electric welders) can cause intermittent system problems with sophisticated electronic equipment, even if that equipment is on a separate circuit breaker. When faced with these conditions, provide a separate, completely independent power panel with an isolated ground and circuit breaker coming directly from the main building power source or secondary power source.

If necessary, an HP representative can measure your power line noise level and make appropriate recommendations concerning the use of line treatment devices.



## Maximum peak inrush and crest factor

Table 19. Maximum peak inrush

Cabinet	Power	Single-phase	Three-phase
DKC	30-amp	46 A	34 A
	50-amp	60 A	Not applicable <sup>1</sup>
DKU	30-amp	34 A	26 A
	50-amp	56 A	Not applicable <sup>1</sup>

<sup>1</sup> 50-amp power configurations are single-phase only.

Table 20. Crest factors

Cabinet	Power	Single-phase	Three-phase
DKC	30-amp	1.68	1.67
	50-amp	1.56	Not applicable <sup>1</sup>
DKU	30-amp	1.65	1.53
	50-amp	1.50	Not applicable <sup>1</sup>

<sup>1</sup> 50-amp power configurations are single-phase only.

## Uninterruptible power supply (UPS)

Most disk array units are installed in data centers where a UPS strategy is already in place. However, if you are making your first large disk array purchase, you may need a separate UPS solution.

---

**Caution** *This section discusses a product UPS. If you are planning or already have a site-wide UPS, HP recommends against using a product UPS powered by a site-wide UPS for the XP12000.*

---

Make sure your UPS satisfies the requirements in [Table 21](#). Table values are based on a worst-case voltage (rated voltage –10 percent) and a maximum configuration of DKC/DKUs. A phase imbalance of 15 percent is also included in the calculation.

Table 21. Single secondary input (primary offline) power requirements

Input (VAC)	Single-phase 30A		Single-phase 50A		Three-phase 30A
	DKC	Each additional DKU	DKC	Each additional DKU	Each additional DKU
208	20.0 A	17.3 A	40.0 A	34.6 A	20.0 A
400	Not applicable	Not applicable	Not applicable	Not applicable	10.4 A

In a maximum disk array configuration (one DKC and four DKUs), the array requires 31 kVA.

## Sources of electrical interference

Ensure that the disk array is protected from sources of electrical interference:

Table 22. Sources of electrical interference

Potential source	Description
Wall outlets	<p>Convenience power outlets for building maintenance equipment (such as vacuum cleaners and floor buffers) must be wired from circuit breakers on a power panel separate from the computer system panel. The ground wires from these outlets must be connected to the normal building distribution panel and not to the system ground.</p> <p>If a separate power source and separate ground are not provided, operation of janitorial equipment can induce electrical noise and cause abnormal operation of the computer system. Your electrician can verify whether or not maintenance outlets are on separate panels.</p>
Lightning	<p>In geographical areas subject to lightning storms, it may be advisable to install lightning protection for both personnel and computer systems. The principles of lightning protection and personnel safety are outlined in detail in the lightning protection code contained in the National Fire Protection Association (NFPA) Handbook.</p>
Electromagnetic interference	<p>The disk array is specifically designed to reduce its susceptibility to radiated and conducted interference. Electromagnetic interference can cause a variety of system problems. An HP representative can advise you about the most common causes of electromagnetic interference.</p>

---

## Delivery space requirements

The delivery area must provide enough space and floor strength to support the packaged equipment cartons for the disk array. Refer to the packaged dimensions in “Dimensions” (page 19) and the packaged weights in “Weights” (page 19).

---

**Caution** *Make sure that your doorways and hallways provide enough clearance to move the equipment safely from the delivery area to the computer room. Permanent obstructions such as pillars or narrow doorways can cause equipment damage. If necessary, plan for the removal of walls or doors.*

---

---

**Caution** *Make sure all floors, stairs, and elevators you use when moving the disk array to the computer room can support the weight and size of the equipment. Failure to do so could damage the equipment or your site.*

---

---

## Delivery and unpacking

The disk array equipment is shipped directly from HP. If the disk array is part of a system order, HP coordinates shipment from all HP locations so that all of the equipment arrives at your site at approximately the same time.

When your equipment ships, HP provides you with carrier information and an expected delivery date. Factors beyond HP's control can cause delivery delays. If you have not received your equipment within two weeks of its shipment from HP, contact your HP SR, who will trace your order and expedite delivery.

---

**Caution** *Before delivery, make sure your site meets “Delivery space requirements” (page 60).*

---

---

## Checking for shipping shortage and damage

Upon delivery of each equipment shipment:

1. Check the carrier's bill of lading to ensure that the items listed match the items delivered. Notify the carrier immediately if there are any discrepancies or missing items.
2. Inspect all shipping containers for signs of damage, such as dents, scratches, cuts, or water marks.
3. If you see any damage to the containers:
  - a. Note on the bill of lading that there is apparent damage, subject to inspection.
  - b. Arrange for the carrier's representative and an HP representative to be present when the item in question is unpacked.
  - c. Contact your HP representative, who will make sure any damaged components are replaced, regardless of the circumstances and without waiting for any claim settlements.

---

# Unpacking the equipment

HP representatives will supervise the unpacking and moving of the disk array equipment. It is your responsibility to provide the people, tools, and equipment necessary to perform these tasks.

## Packaging configurations

XP disk array cabinets are shipped in one of three standard packaging configurations:

- Environmental pack — consists of stretch wrap over corner protectors. No special tools or procedures are required to unpack shipments in this form. This packaging is used for most shipments within the USA and Canada that are direct from the factory to the customer. HP uses special carriers with a dedicated fleet of trucks and specially trained personnel.
- Full packaging — consists of a pallet, wooden loading ramp, inner packaging, and outer corrugated carton assembly.
- Full packaging with wooden crate — consists of full packaging encased in a wooden crate.

## Required personnel

HP recommends that three physically able personnel be available to assist with off-loading the disk array equipment from the pallet. Personnel must be knowledgeable and experienced with the safe handling of large, heavy, and sensitive computer equipment.

## Required tools

- Claw hammer (if full packaging with wooden crate)
- Ratchet wrench or box-open end wrench sizes 11mm (7/16") and 19mm (3/4"), or adjustable end wrench
- 6mm hex wrench

- Scissors or box knife to cut polyester banding
- Safety glasses
- Short stepladder (helpful, but not required)

## Unpacking process

If you need to unpack the equipment without HP supervision, follow the instructions in this section.

1. Following the steps “Removing packaging materials” (page 66), unpack the DKC and DKU equipment cartons outside of the computer room to avoid debris and possible contamination of the computer room environment.
2. For software CDs, cables, and other installation hardware, leave the sealed cartons or packages intact. HP representatives will unpack them when they install and configure the disk array.
3. As you unpack the cartons, match the delivered items to the packing list (invoice) for each carton. Contact your HP SR immediately if any items are missing or are not the ones you ordered.
4. Move all equipment to the computer room before the installation date.

### Safety precautions

---

**Caution** *Be very careful when handling the equipment. Do not drop the equipment from a height of more than 0.5 cm (0.2 in). Floor unevenness must be less than 1 cm (0.4 in).*

---



---

### Warning

**The DKC and DKU are very heavy.** To avoid injury, use appropriate lifting tools and have three people unpack and move the equipment.

---



---

**Caution** *Any movement of the equipment by forklift should be done prior to unpacking. The carton assembly provides the most secure support of the equipment during movement. Transporting the equipment by forklift after the packaging carton has been removed is not advisable.*

---

---

**Caution** *DKCs and DKUs are top heavy and contain very sensitive electronic and mechanical components. When moving on frame casters, the rolling surface must be able to support the equipment weight and must be free of surface conditions that could cause shock or vibration to the cabinet contents.*

---



---

**Warning**

When using sharp objects or cutting tools, make sure that no part of your body lies in the path of the blade bit or point.

---

---

**Caution** *When detached from each other, DKCs and DKUs do not have side panels. Exposed printed circuit boards (PCB) are present; however, normal handling of the cabinet by the metal frames does not pose any ESD risks.*

---

---

**Caution** *When disk array equipment is not located in a data center or computer room, it must be stored in a controlled area that meets environmental requirements ((page 46).*

---

## Removing packaging materials

Unpack the DKC first. DKC packaging contains a wooden ramp; standard DKU packaging does not<sup>1</sup>. You will use the ramp to unload both the DKC and DKUs.

1. If shipped in a wooden crate:
  - a. Using an 11mm (7/16") ratchet or wrench, remove the six lag screws at the base of the crate.
  - b. Using the claw end of a claw hammer, remove the crate clamps.



---

### Warning

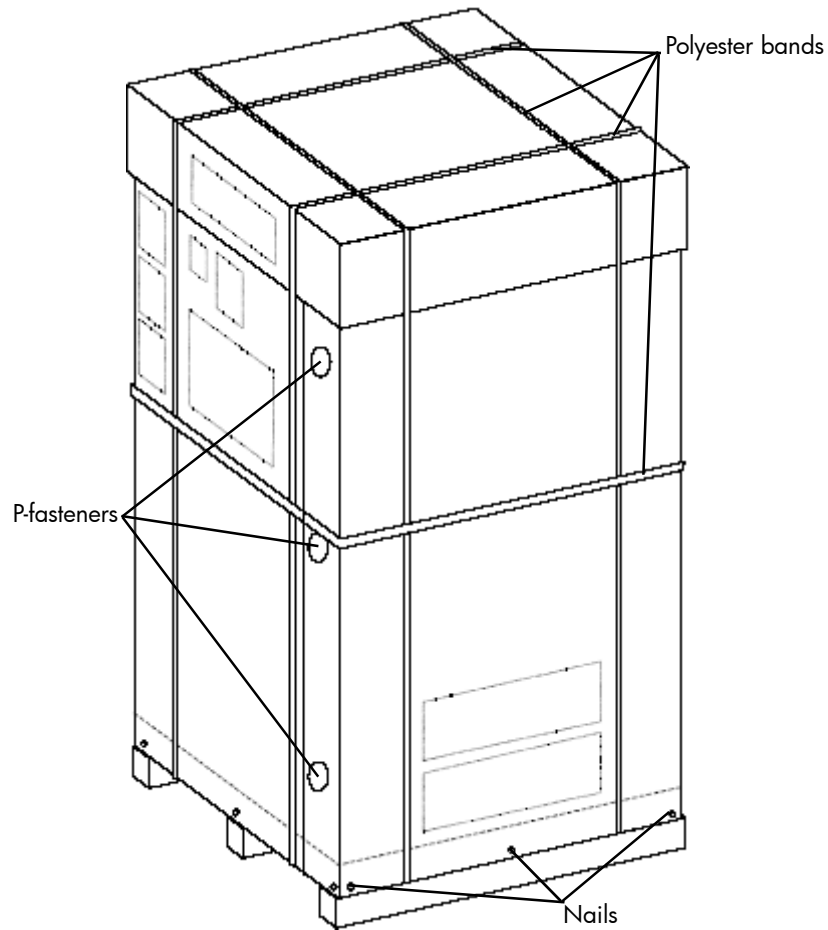
Crate clamps are under tension. Wear safety glasses and hold onto the clamp with your free hand during removal.

---

- c. Remove the crate panels.

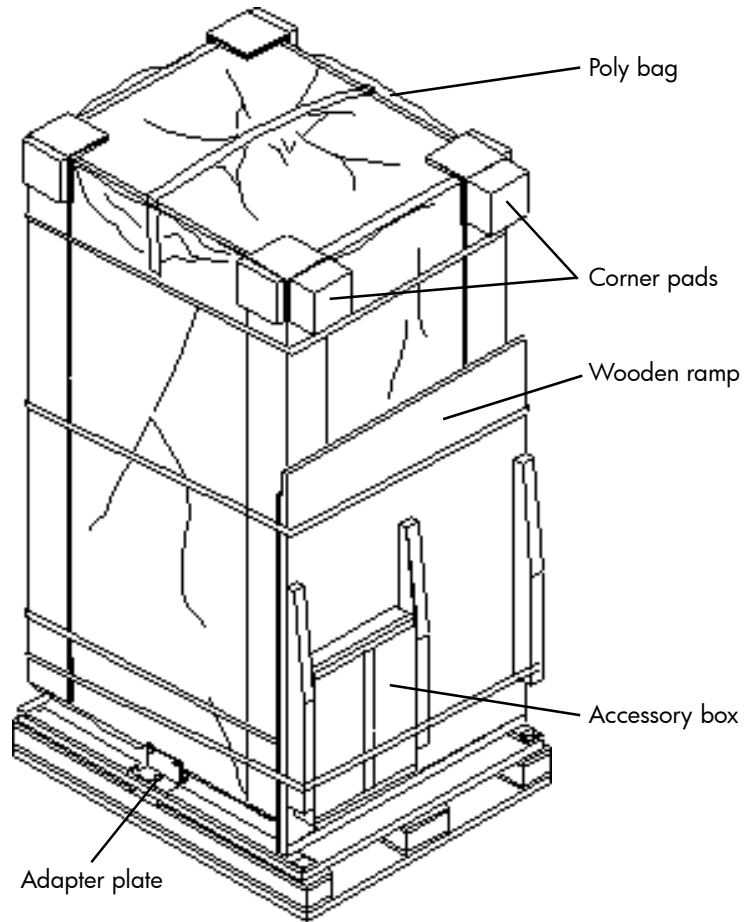
---

<sup>1</sup> DKUs shipped as upgrades (without a DKC) will contain a ramp.



*Figure 10. Typical full frame outer packaging*

2. Cut and remove the polyester bands.
3. Remove the nails attaching the carton to the pallet.
4. Remove the plastic carton fasteners (p-fasteners).
5. Remove the carton.



*Figure 11. Typical full frame inner packaging with ramp*

6. Remove the accessory boxes, ramp, and corner pads.
7. Using a 6mm hex and 19mm wrench, remove the adapter plates that anchor the cabinet to the pallet.
8. Remove the poly bag covering the cabinet.
9. **Following the instructions provided on the wooden ramp**, attach the ramp to the pallet and roll the cabinet onto the floor.
10. Visually check the unit for any damage.

# A

---

## Electrical specifications

The detailed electrical specifications in this appendix are provided to help your site electrician perform any necessary electrical work related to site prep.

---

## AC line voltage requirements

### 50-amp, single-phase DKC

Table 23. 50-amp, 50 or 60 Hz, single-phase DKC operation

Parameter	Nominal rated voltage (VAC)				
	200	208 <sup>1</sup>	220	230	240
Minimum operating voltage (VAC)	184	191	202	212	221
Maximum operating voltage (VAC)	212	220	233	244	254
Rated line current per power cord (amps RMS)	22.6	21.7	20.5	19.6	18.8
Number of power cords	2	2	2	2	2
Recommended circuit breakers (amps)	50	50	50	50	50
Number of circuit breakers	2	2	2	2	2
Dropout carry-through time at minimum line voltage (ms)	60	60	60	60	60

1 60 Hz only.

### 30-amp, single-phase DKC

Table 24. 30-amp, 50 or 60 Hz, single-phase DKC operation

Parameter	Nominal rated voltage (VAC)				
	200	208 <sup>1</sup>	220	230	240
Minimum operating voltage (VAC)	184	191	202	212	221
Maximum operating voltage (VAC)	212	220	233	244	254
Rated line current per power cord (amps RMS)	11.3	10.9	10.3	9.8	9.4
Number of power cords <sup>2</sup>	4	4	4	4	4
Recommended circuit breakers (amps)	30	30	30	30	30
Number of circuit breakers	4	4	4	4	4
Dropout carry-through time at minimum line voltage (ms)	60	60	60	60	60

1 60 Hz only.

2 Units with only two power cords require only two circuit breakers.

## 30-amp, three-phase DKC

Table 25. 30-amp, 50 or 60 Hz, three-phase DKC operation

Parameter	Nominal rated voltage (VAC)							
	200	208 <sup>1</sup>	220	230	240	380	400	415
Minimum operating voltage (VAC)	184	191	202	212	221	350	368	382
Maximum operating voltage (VAC)	212	220	233	244	254	403	424	440
Rated line current per power cord (amps RMS)	13	12.5	11.9	11.3	10.9	6.9	6.5	6.3
Number of power cords	2	2	2	2	2	2	2	2
Recommended circuit breakers (amps)	30	30	30	30	30	30	30	30
Number of circuit breakers	2	2	2	2	2	2	2	2
Dropout carry-through time at minimum line voltage (ms)	60	60	60	60	60	60	60	60

<sup>1</sup> 60 Hz only.

## 50-amp, single-phase DKU

Table 26. 50-amp, 50 or 60 Hz, single-phase DKU operation

Parameter	Nominal rated voltage (VAC)				
	200	208 <sup>1</sup>	220	230	240
Minimum operating voltage (VAC)	184	191	202	212	221
Maximum operating voltage (VAC)	212	220	233	244	254
Rated line current per power cord (amps RMS)	18	17.3	16.4	15.7	15.0
Number of power cords	2	2	2	2	2
Recommended circuit breakers (amps)	50	50	50	50	50
Number of circuit breakers	2	2	2	2	2
Dropout carry-through time at minimum line voltage (ms)	60	60	60	60	60

<sup>1</sup> 60 Hz only.

## 30-amp, single-phase DKU

Table 27. 30-amp, 50 or 60 Hz, single-phase DKU operation

Parameter	Nominal rated voltage (VAC)				
	200	208 <sup>1</sup>	220	230	240
Minimum operating voltage (VAC)	184	191	202	212	221
Maximum operating voltage (VAC)	212	220	233	244	254
Rated line current per power cord (amps RMS)	9	8.7	8.2	7.8	7.5
Number of power cords	4	4	4	4	4
Recommended circuit breakers (amps)	30	30	30	30	30
Number of circuit breakers <sup>2</sup>	4	4	4	4	4
Dropout carry-through time at minimum line voltage (ms)	60	60	60	60	60

1 60 Hz only.

2 Units with only two power cords require only two circuit breakers.

## 30-amp, three-phase DKU

Table 28. 30-amp, 50 or 60 Hz, three-phase DKU operation

Parameter	Nominal rated voltage (VAC)							
	200	208 <sup>1</sup>	220	230	240	380	400	415
Minimum operating voltage (VAC)	184	191	202	212	221	350	368	382
Maximum operating voltage (VAC)	212	220	233	244	254	403	424	440
Rated line current per power cord (amps RMS)	10.4	10.0	9.4	9.0	8.7	5.5	5.2	5.0
Number of power cords	2	2	2	2	2	2	2	2
Recommended circuit breakers (amps)	30	30	30	30	30	30	30	30
Number of circuit breakers	2	2	2	2	2	2	2	2
Dropout carry-through time at minimum line voltage (ms)	60	60	60	60	60	60	60	60

1 60 Hz only.



---

## Receptacle part numbers and ordering information

Table 29 lists the plug and receptacle part numbers for 60 Hz configurations of the XP12000 disk array.

Table 29. 60 Hz power plugs and receptacles

Power source	Breaker rating	Plug	Receptacle
Single-phase	30 A	Russellstoll 3750DP	Russellstoll 3933 (alt. 9C33U0) or 3753 (alt. 9R33U0W)
	50 A	Russellstoll 9P53U2	Russellstoll 9C53U2 or 9R53U2W
Three-phase	30 A	Russellstoll 3760PDG	Russellstoll 3934 (alt. 9C34U0) or 3754 (alt. 9R34U0W)

Russellstoll connectors are available through most electrical distributors. HP has arranged for the distributors listed below to stock these connectors. These distributors are able to ship worldwide via your preferred carrier.

Beck Electrical Supply  
2775 Goodrick Avenue  
Richmond, CA 94801 USA  
Telephone: (800) 466-4395  
Fax: (800) 466-5442  
Contact: Ken Mogan  
casales@beckelectric.com

Source Research, Inc. (SRI)  
2160 Sunnydale Boulevard  
Clearwater, FL 33765-2108 USA  
Telephone: (800) 356-0259  
Contact: Erik Peterson, telephone extension 302  
<http://www.sourceresearch.com/index.cfm>

---

## Three-phase cabling for the USA (60 Hz)

Each three-phase DKU has two main disconnect devices (two main breakers for dual power lines) so that AC power to the unit can be supplied from separate power distribution panels with two power-supply cords.

---

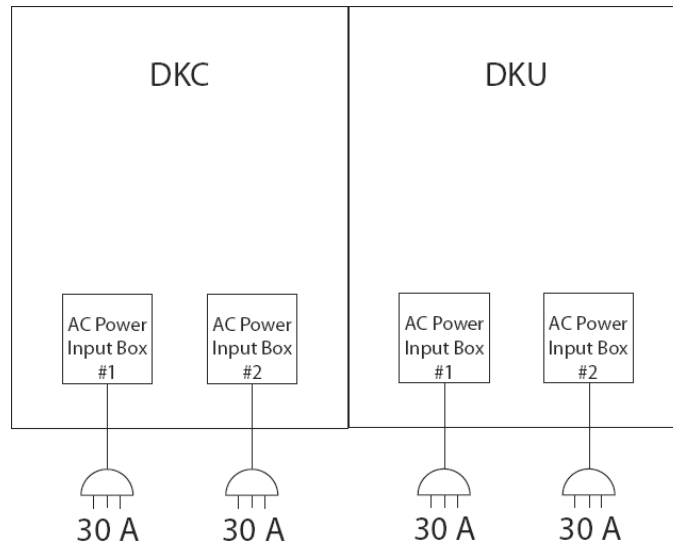
**Caution** *An HP representative should be present whenever the disk array is being connected to a new power source for the first time.*

---

### Connecting the external power-supply cords

The XP12000 disk array is factory-configured for 30-amp, three-phase power.

When the disk array uses 30-amp, three-phase input power, the DKC and DKUs have two power cords each.



*Figure 12. 30-amp, three-phase power cords*

If one power source malfunctions, the other power source assumes the total load, providing uninterrupted operation. HP recommends that each power

cord have a separate electrical circuit as its source, in case of a circuit failure. Each power-supply cord is supplied with an attachment plug type Russellstoll 3760PDG.

Be sure to install Russellstoll 3934 (alternate, 9C34U0) or 3754 (alternate, 39R34U0W) socket receptacles between the power distribution panel of the building and the power plugs for the unit.

The power cords provided with the disk array are nonshielded, type ST or equivalent with four #8 AWG (minimum) conductors terminated at one end with an assembled plug connector.

## **Branch circuit requirements**

To protect the disk array, your building must be wired correctly. Each supply (“hot”) conductor must be protected by a short-circuit protective device and by an overcurrent protective device. Table 25 ([page 71](#)) and Table 28 ([page 72](#)) provide specifications for the overcurrent protective devices required for three-phase operation.

All protective devices must comply with national standards of the country where the units are to be installed. If a protective device interrupts any supply conductor, it must also interrupt all other supply conductors.

Overcurrent protection is not required for the neutral conductor of this unit. Only 50 Hz, three-phase configurations have a neutral conductor.

---

## Three-phase AC cabling for Europe (50 Hz)

Each three-phase DKU has two main disconnect devices (two main breakers for dual power lines) so that AC power to the unit can be supplied from separate power distribution panels with two power-supply cords.

---

**Caution** *An HP representative should be present whenever the disk array is being connected to a new power source for the first time.*

---

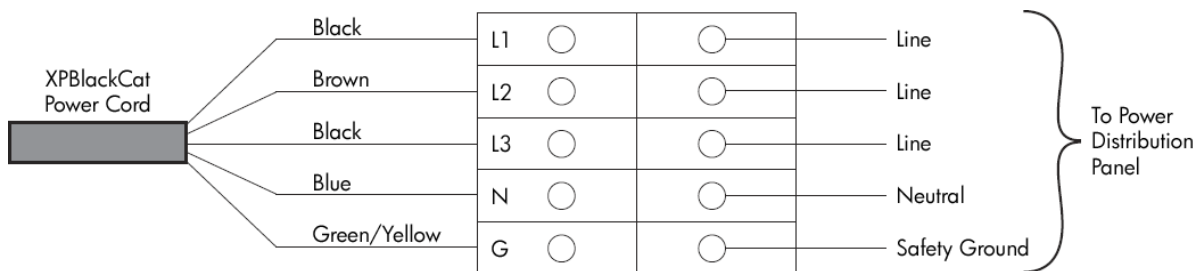
### Connecting the power-supply cords

All 50 Hz, European XP12000 disk array cabinets are shipped with unterminated power cords. Your electrician must select and install the correct power plug. Be sure to prepare the socket receptacles and power cords between the power distribution board of the building and the attachment plugs for the unit. 30-amp power cords of type H07RN-F or equivalent, with five 6 mm<sup>2</sup> conductors per cord, are provided with the unit.

---

**Caution** *Be sure to connect the power cords to the distribution panel as shown in [Figure 13](#). Improper wiring of the neutral conductor may cause damage to the disk array. To reduce the risk of a wrong connection, use a plug and socket that are approved for this disk array. It is your electrician's responsibility to select and install the proper plug.*

---



*Figure 13. Three-phase power connections for Europe*

When connecting to 380 to 415 volt service, a WYE configuration with neutral and ground conductors (in addition to the three-phase wires, for a total of five wires) is required.



---

**Warning**

High leakage current can occur between the power supply and the unit. To avoid electrical shock, be sure to make the protective earth connection before the supply connections.

---

## Branch circuit requirements

When the supplied line to line voltage is in the 380 to 415 volt range, the connection must be a five-wire WYE or STAR connection.

To protect the disk array, your building must be wired correctly. Each supply (“hot”) conductor must be protected by a short-circuit protective device and by an overcurrent protective device. Table 25 ([page 71](#)) and Table 28 ([page 72](#)) provide specifications for the overcurrent protective devices required for three-phase operation.

All protective devices must comply with national standards of the country where the units are to be installed. If a protective device interrupts a supply conductor, it must also interrupt all other supply conductors.



---

**Warning**

Overcurrent protection is also required for the neutral conductor.

---

---

## Single-phase AC cabling for the USA

When configured for 50-amp, single-phase power, each XP12000 disk array cabinet has two power cords and two main disconnect devices so that AC power can be supplied from separate power distribution panels. When configured for 30-amp, single-phase power, each XP12000 disk array cabinet has four power cords and four main disconnect devices.

---

**Caution** *An HP representative should be present whenever the disk array is being connected to a new power source for the first time.*

---

### Connecting the power-supply cords

The XP12000 can be factory-configured for 50-amp or 30-amp, single-phase power.

#### 50-amp, single-phase power

Each 50-amp XP12000 disk array cabinet has two power-supply cords with attachment plug type Russellstoll 9P53U2.

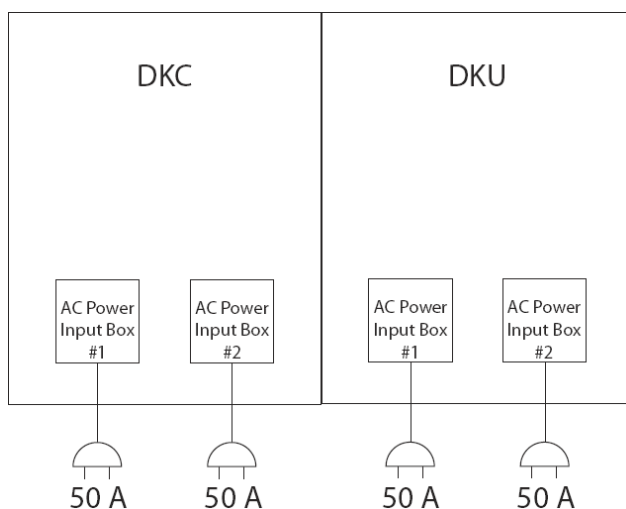


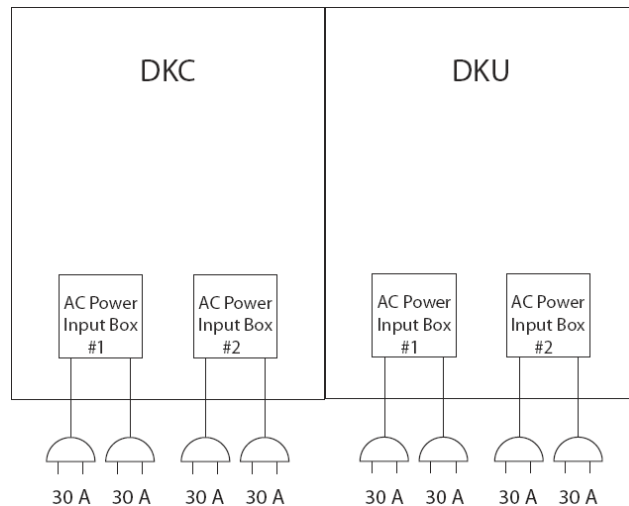
Figure 14. 50-amp, single-phase power cords

Be sure to install Russellstoll 9C53U2 or 9R53U2W socket receptacles between the power distribution panel of the building and the power plugs for the unit.

The power cords provided with the disk array are nonshielded, type ST or equivalent with three #6 AWG (minimum) conductors terminated at one end with an assembled 9C53U2 plug connector.

### 30-amp, single-phase power

Each 30-amp XP12000 disk array cabinet has four power-supply cords with attachment plug type Russellstoll 3750DP.



*Figure 15. 30-amp, single-phase power cords*

Be sure to install Russellstoll 3933 (alternate, 9C33U0) or 3753 (alternate, 9R33U0W) socket receptacles between the power distribution panel of the building and the power plugs for the unit.

The power cords provided with the disk array are nonshielded, type ST or equivalent with three #10 AWG (minimum) conductors terminated at one end with an assembled plug connector.

## Branch circuit requirements

To protect the disk array, your building must be wired correctly. Each supply (“hot”) conductor must be protected by a short-circuit protective device and by an overcurrent protective device. Table 23 (page 70), Table 24 (page 70), Table 26 (page 71), and Table 27 (page 72) provide specifications for the overcurrent protective devices required for single-phase operation.

All protective devices must comply with national standards of the country where the units are to be installed. If a protective device interrupts any supply conductor, it must also interrupt all other supply conductors.

*Note* In many cases, local codes do not allow a branch circuit fitted with a 50-amp receptacle or connector to be protected by an overcurrent-protection device with a rating lower than 50 amps. You can order the XP12000 disk array with the 30-amp power option to comply with these local codes. Your electrician knows the appropriate code requirements for your location/site.



---

# Single-phase cabling for Europe

When configured for 50-amp, single-phase power, each XP12000 disk array cabinet has two power cords and two main disconnect devices so that AC power can be supplied from separate power distribution panels. When configured for 30-amp, single-phase power, each XP12000 disk array cabinet has four power cords and four main disconnect devices.

---

**Caution** *An HP representative should be present whenever the disk array is being connected to a new power source for the first time.*

---

## Connecting the power-supply cords

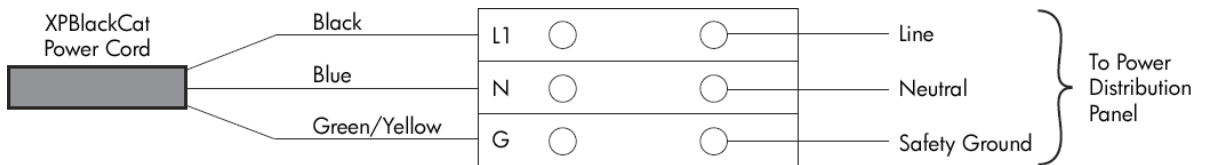
### 50-amp power cords

Each 50-amp XP12000 disk array cabinet has two power-supply cords. The power cords included with the unit are type H07RN-F or equivalent with three 10 mm<sup>2</sup> conductors.

---

**Caution** *Be sure to connect the power cords to the distribution panel as shown in [Figure 16](#). Improper wiring of the neutral conductor may cause damage to the disk array. To reduce the risk of a wrong connection, use a plug and socket that are approved for this disk array. It is your electrician's responsibility to select and install the proper plug.*

---



*Figure 16. Single-phase power connections for Europe*

## 30-amp power cords

Each 30-amp XP12000 disk array cabinet has four power-supply cords. The power cords included with the unit are type H07RN-F or equivalent with three 6 mm<sup>2</sup> conductors.

---

**Caution** *Be sure to connect the power cords to the distribution panel as shown in [Figure 16](#). Improper wiring of the neutral conductor may cause damage to the disk array. To reduce the risk of a wrong connection, use a plug and socket that are approved for this disk array. It is your electrician's responsibility to select and install the proper plug.*

---



---

### Warning

High leakage current can occur between the power supply and the unit. To avoid electrical shock, be sure to make the protective earth connection before the supply connections.

---

## Branch circuit requirements

To protect the disk array, your building must be wired correctly. Each supply (“hot”) conductor must be protected by a short-circuit protective device and by an overcurrent protective device. [Table 23 \(page 70\)](#), [Table 24 \(page 70\)](#), [Table 26 \(page 71\)](#), and [Table 27 \(page 72\)](#) provide specifications for the overcurrent protective devices required for single-phase operation. All protective devices must comply with national standards of the country where the units are to be installed. If a protective device interrupts any supply conductor, it must also interrupt all other supply conductors.

Overcurrent protection is also required for the neutral conductor.

*Note* In many cases, local codes do not allow a branch circuit fitted with a 50-amp receptacle or connector to be protected by an overcurrent-protection device with a rating lower than 50 amps. You can order an XP12000 disk array with the 30-amp power option to comply with these local codes. Your electrician knows the appropriate code requirements for your location/site.

<b>ACP</b>	Array control processor. The ACP handles the passing of data between the cache and the physical drives held in the DKUs. ACPs work in pairs, providing a total of eight SCSI buses. Each SCSI bus associated with one ACP is paired with a SCSI bus on the other ACP pair element. In the event of an ACP failure, the redundant ACP takes control. Both ACPs work together sharing the load.
<b>AL</b>	Arbitrated loop.
<b>AL-PA</b>	Arbitrated loop physical address.
<b>allocation</b>	The ratio of allocated storage capacity versus total capacity as a percentage. “Allocated storage” refers to those LDEVs that have paths assigned to them. The allocated storage capacity is the sum of the storage of these LDEVs. Total capacity refers to the sum of the capacity of all LDEVs on the disk array.
<b>array group</b>	A group of 4 or 8 physical hard disk drives (HDDs) installed in an XP disk array and assigned a common RAID level. RAID1 array groups are made up of 4 HDDs (2D+2D). A RAID1 group is two 4 HDD array groups concatenated together (4D+4D). RAID5 array groups are made up of 4 or 8 HDDs, depending on whether they are RAID5 3D+1P or RAID5 7D+1P, respectively. All RAID6 array groups are made up of 8 HDDs (6D+2P).
<b>ASE</b>	Application System Engineer.
<b>BC</b>	The HP StorageWorks Business Copy XP software program, which enables you to maintain up to nine internal copies of logical volumes on the disk array.

<b>C-Track</b>	The HP StorageWorks Continuous Track XP software program, which detects internal hardware component problems on a disk array and automatically reports them to the HP STC.
<b>CA</b>	The HP StorageWorks Continuous Access XP program, which enables you to replicate data stored on a local disk array to a remote disk array.
<b>cache</b>	<p>Very high speed memory that is used to speed I/O transaction time. All reads and writes to the XP array family are sent to the cache. The data is buffered there until the transfer to/from physical disks (with slower data throughput) is complete.</p> <p>The benefit of cache memory is that it speeds I/O throughput to the application. The larger the cache size, the greater the amount of data buffering that can occur and the greater throughput to the applications.</p> <p>XP arrays support a range of cache memory. In the event of power loss, battery power holds up the contents of cache for up to 36 hours.</p>
<b>CE</b>	Customer engineer.
<b>channel adapter (CHA)</b>	The channel adapter (CHA) provides the interface between the disk array and the external host system. Occasionally this term is used synonymously with the term channel host interface processor (CHIP).
<b>channel host interface processor (CHIP)</b>	Synonymous with the term channel adapter (CHA).
<b>channel processor (CHP)</b>	The processors located on the channel adapter (CHA). Synonymous with CHIP.
<b>command device</b>	A volume on the disk array that accepts Continuous Access or Business Copy control operations which are then executed by the disk array.
<b>control unit</b>	To organize the storage space attached to the disk controller, you can group similarly configured logical devices (LDEVs) with unique control unit images (CUs). CUs are numbered sequentially. The disk array supports a certain number of CUs, depending on the disk array model. Each CU can manage multiple LDEVs. Therefore, to uniquely identify a particular LDEV requires both the CU number and the LDEV number.

<b>CU</b>	Control unit.
<b>CVS</b>	Custom volume size. CVS devices (OPEN-x CVS) are custom volumes configured using array management software to be smaller than normal fixed-size OPEN system volumes. Synonymous with volume size customization (VSC).
<b>daemon</b>	A process that runs in the background and performs a specific operation at predefined times in response to certain events.
<b>DASD</b>	Direct access storage device.
<b>DCR</b>	Dynamic cache residency.
<b>DE</b>	HP StorageWorks Data Exchange XP.
<b>DFDSS</b>	Data Facility Dataset Services.
<b>DFSMS</b>	Data Facility System Managed Storage.
<b>DFW</b>	DASD fast write.
<b>disk adapter (DKA)</b>	Synonymous with the term ACP.
<b>disk control frame (DKC)</b>	The array hardware that houses the channel adapters and service processor (SVP).
<b>disk array frame (DKU)</b>	The array hardware that houses the physical disks in the array.
<b>disk recovery and restore unit (DRR)</b>	The unit located on the ACP that is responsible for data recovery and restoration in the event of a cache failure.
<b>disk group</b>	The physical disk locations associated with a parity group.
<b>disk type</b>	The manufacturing label burned into the physical disk controller firmware. In most cases, the disk type is identical to the disk model number.
<b>emulation modes</b>	The logical devices (LDEVs) associated with each RAID group are assigned an emulation mode that makes them operate like OPEN system disk drives. The emulation mode determines the size of an LDEV.
	OPEN-3:            2.46 GB
	OPEN-8:            7.38 GB

OPEN-9:	7.42 GB
OPEN-E:	13.56 GB
OPEN-K:	Not available on XP12000
OPEN-L:	36 GB
OPEN-M:	Not available on XP12000
OPEN-V:	User-defined custom size

<b>EPO</b>	Emergency power-off.
<b>ESCON</b>	Enterprise System Connection (the IBM trademark for optical channels).
<b>expanded LUN</b>	A LUN is normally associated with only a single LDEV. The LUSE feature allows a LUN to be associated with 1 to 36 LDEVs. Essentially, LUSE makes it possible for applications to access a single large pool of storage. The LUSE feature is available when the HP StorageWorks LUN Configuration Manager product is installed.
<b>ExSA</b>	Extended serial adapter.
<b>failover</b>	Disconnecting a failed unit or path and replacing it with an alternative unit or path in order to continue functioning.
<b>FC</b>	Fibre Channel.
<b>FC-AL</b>	Fibre Channel arbitrated loop.
<b>FCP</b>	Fibre Channel Protocol.
<b>fence level</b>	A level for selecting rejection of a write I/O request from the host according to the condition of mirroring consistency.
<b>FICON</b>	IBM mainframe Fiber Optic Connection.
<b>GB</b>	Gigabytes.
<b>GLM</b>	Gigabyte link module.
<b>HA</b>	High availability.
<b>HBA</b>	Host bus adapter. A built-in function or a card installed in a PC or other host computer to enable connection of the host to the SAN.

<b>host mode</b>	Each port can be configured for a particular host type. These modes are represented as two-digit hexadecimal numbers. For example, host mode 08 represents an HP-UX host.
<b>hot standby</b>	Using two or more servers as a standby in case of a primary server failure.
<b>HP</b>	Hewlett-Packard Development Company.
<b>I/O</b>	Input/output (applies to an operation or device).
<b>KB</b>	Kilobyte.
<b>kcal</b>	Kilocalorie.
<b>kg</b>	Kilogram.
<b>km</b>	Kilometer.
<b>kVA</b>	Kilovolt-ampere.
<b>kW</b>	Kilowatt.
<b>LAN</b>	Local area network.
<b>lb.</b>	Pound.
<b>LCP</b>	Local control port.
<b>LD, LDEV</b>	Logical device. An LDEV is created when a RAID group is carved into pieces according to the selected host emulation mode (that is, OPEN-3, OPEN-8, OPEN-9). The number of resulting LDEVs depends on the selected emulation mode. The term LDEV is often used synonymously with the term volume.
<b>LED</b>	Light emitting diode.
<b>local disk</b>	A local disk in the host.
<b>LU</b>	Logical unit.
<b>LUN</b>	Logical unit number. A LUN results from mapping a SCSI logical unit number, port ID, and LDEV ID to a RAID group. The size of the LUN is determined by the emulation mode of the LDEV, and the number of LDEVs associated with the LUN. For example, a LUN associated with two OPEN-3 LDEVs has a size of 4,693 MB.

<b>LUSE</b>	Logical unit size expansion. See also <i>Expanded LUN</i> .
<b>m</b>	Meters.
<b>MB</b>	Megabytes.
<b>MCU</b>	Main control unit.
<b>mirroring consistency</b>	The consistency (usability) of data in a volume (for example, S-VOL).
<b>mm</b>	Millimeters.
<b>MR</b>	Magnetoresistive.
<b>ms, msec</b>	Milliseconds.
<b>mutual hot standby system</b>	Two servers that are poised to cover for each other if necessary.
<b>NAS</b>	Network attached storage.
<b>node</b>	Logically speaking, an environment where instances can be executed. Physically, a processor, which is an element of a cluster system.
<b>NVS</b>	Nonvolatile storage.
<b>OFC</b>	Open Fibre Control.
<b>OLM</b>	Optical link module.
<b>OS</b>	Operating system.
<b>PA</b>	Physical address.
<b>parity group</b>	A parity group is a disk configuration in which multiple disks work together to provide redundancy. Synonymous with “array group.”
<b>partition</b>	Dividing a specific physical disk into two or more areas as if there are two or more physical disks.
<b>path</b>	Paths are created by associating a port, a target, and a LUN ID with one or more LDEVs.
<b>PCI</b>	Power control interface or peripheral component interconnect.



<b>PM</b>	HP StorageWorks Performance Manager XP software.
<b>port</b>	A physical connection that allows data to pass between a host and the disk array. The number of ports on an XP disk array depends on the number of supported I/O slots and the number of ports available per I/O adapter. The XP family of disk arrays supports Fibre Channel (FC) ports as well as other port types. Ports are named by port group and port letter, such as CL1-A. CL1 is the group, and A is the port letter.
<b>P-P</b>	Point-to-point.
<b>PS</b>	Power supply.
<b>RS</b>	Russellstoll <sup>®</sup> , a brand of electrical plugs and receptacles manufactured by Thomas & Betts Corporation.
<b>RAID</b>	Redundant array of independent disks.
<b>RAID group</b>	See “array group.”
<b>RAID level</b>	A RAID Level is one of the ways that disk drives are grouped together to improve performance, data availability/reliability or both. RAID levels are defined from RAID0 to RAID6. HP StorageWorks Disk Arrays in the XP product family support RAID1, RAID5 and RAID6. Not all of these RAID levels are supported by all XP family members. Consult the owner's guide or your HP representative for the details of which RAID levels are supported by your specific XP disk array.
<b>RAM</b>	Random access memory.
<b>RISC</b>	Reduced instruction set computer.
<b>RM</b>	HP StorageWorks RAID Manager XP.
<b>R-SIM</b>	Remote service information message.
<b>R/W, r/w</b>	Read/write.
<b>script file</b>	A file containing a shell script.
<b>SCSI</b>	Small computer system interface.
<b>shell script</b>	A command sequence executed by a UNIX shell.

<b>sidefile</b>	An area of cache used to store the data sequence number, record location, record length, and queued control information.
<b>SIM</b>	Service information message.
<b>SMI-S</b>	Storage Management Initiative Specification.
<b>SMS</b>	System managed storage.
<b>SNMP</b>	Simple Network Management Protocol.
<b>special files</b>	Files that indicate physical devices and are different from regular files in the UNIX system. The functions of the device drivers (that is, access to system peripherals) become available through these special files.
<b>SSID</b>	Storage subsystem identification.
<b>STC</b>	HP Storage Technology Center.
<b>SVP</b>	Service processor, which is the PC used with the DKC. The SVP provides a direct interface into the disk array. <i>SVP use is reserved for HP support representatives only.</i>
<b>takeover</b>	The actions of a standby server that takes over processing from the previously active server.
<b>TB</b>	Terabyte.
<b>TCP/IP</b>	Transmission control protocol/Internet protocol
<b>TID</b>	Target ID.
<b>UL</b>	Underwriters' Laboratories.
<b>VDE</b>	Verband Deutscher Elektrotechniker.
<b>VOLID</b>	Volume ID.
<b>Volume</b>	Synonymous with LDEV.

**A**

acoustics 50  
additional components 20  
air conditioning 46  
    and dust control 50  
    and metallic particulate contamination 50  
air pressure 25, 50  
airborne contaminants 50  
altitude 46  
antistatic  
    carpeting 29  
    containers 26  
authorized resellers 8

**B**

branch circuit requirements 75, 77, 80, 82  
building codes 25, 27, 54

**C**

cables 32  
    and mechanical vibration 48  
    and raised floors 28  
    as safety hazards 27, 33  
    Cat 5 52  
    floor cutouts for 29  
    in floorplans 32  
    routing 52  
    sealing 25  
    shielded 52

    unpacking 64  
circuit breakers 53, 70, 71, 72  
clearance, required 33  
components, additional 20  
computer room  
    air pressure 25  
    data comm requirements 52  
    electrical requirements 53  
    environmental requirements 46–51  
    general requirements 25–26  
    vapor barrier 25  
    windows 25  
conductive  
    flooring 26  
    furniture 26  
    wax 26  
configurations, supported for the disk array 18  
Continuous Track XP 52  
conventions, document 9  
customer, site prep responsibilities of 12

**D**

data comm requirements 52  
    *See also* cables  
delivery  
    of equipment 61  
    space requirements 60  
dimensions 19  
disk array

- acoustic specifications 50
- configurations 18
- delivery of 61
- dimensions 19
- electrical specifications 69
- floor clearance 33
- heat dissipation 49
- humidity specifications 47
- power connections 55
- power consumption 49
- shock specifications 49
- temperature specifications 47
- unpacking 63
- vibration specifications 48
- weights 19

disk array frame. *See* DKU

disk control frame. *See* DKC

DKC, description of 18

DKU, description of 18

documentation

- conventions 9
- for related products 7
- revision history 10

dust control 50

## E

- electrical interference 59
- electrical requirements 53
- electromagnetic interference 59
- electrostatic discharge. *See* ESD
- environmental requirements 46–51
- equipment servicing hazards 27
- ESD 25–26, 47

## F

- fault-tolerant power connections 55
- 50-amp single-phase DKC 70
- 50-amp single-phase DKU 71
- fire safety 27
- floor

- clearance 33
- conductive 26
- covering 29
- cutouts 29, 32
- grid panels 28
- grounding 26, 28
- load rating 28–29
- tiles, and metallic particulate contamination 51
- waxed 26

floorplan 32

frequency 54

## G

- grid panels, floor 28
- grounding 54–55, 56

## H

- hazards, servicing 27
- heat dissipation 49
- help, obtaining 12, 13
- HP representatives
  - and airborne contaminants 50
  - and building construction 33
  - and Continuous Track XP 52
  - and electrical requirements 53, 54
  - and electromagnetic interference 59
  - and equipment delivery 16, 62
  - and equipment unpacking 63
  - and network security 52
  - and power connections 74, 76, 78, 81
  - and power line transients 56
  - and site safety 27
  - and the site prep checklist 13
  - and the site prep team 11, 12
- HP SR 12, 13, 61, 64
- humidity 47
  - and ESD 25, 26

## L

LAN connection 52  
lightning 59  
line current 70, 71, 72  
line voltage 53, 70

## M

maximum peak inrush 57  
mechanical vibration specifications 48  
metallic particulate contamination 50  
moisture 25

## N

noise level 50

## O

operating voltages  
    50-amp single-phase DKC 70  
    50-amp single-phase DKU 71  
    30-amp single-phase DKC 70  
    30-amp single-phase DKU 72  
    30-amp three-phase DKC 71  
    30-amp three-phase DKU 72

## P

particulate contamination, metallic 50  
peak inrush, maximum 57  
“phone home” 52  
phone line 52  
physical specifications 18  
pollution control 50  
power consumption 49  
power cords 70, 71, 72  
    floor cutouts for 29  
    single-phase for Europe 81–82  
    single-phase for USA 78–79  
    three-phase for Europe 76–77  
    three-phase for USA 74–75  
power line transients 56

## R

raised floor 28, 32  
    *See also* floor  
receptacles 56, 73  
representatives, of HP. *See* HP representatives  
resellers, authorized 8

## S

safety 27  
sales representative. *See* HP SR  
service clearance 32  
servicing hazards 27  
shock specifications 49  
single-phase cabling  
    Europe 81–82  
    USA 78–80  
single-phase circuit breakers 53  
site prep  
    checklist 13  
    customer responsibilities 12  
    objectives 11  
    resources 11  
    tasks 13  
    team 12  
    time allowances 16  
sound pressure 50  
space planning 32  
SR. *See* HP SR  
static discharge mats 29

## T

technical support 8  
temperature 47  
30-amp single-phase DKC 70  
30-amp single-phase DKU 72  
30-amp three-phase DKC 71  
30-amp three-phase DKU 72  
three-phase cabling  
    Europe 76–77

USA 74–75

three-phase circuit breakers 53

## **U**

unpacking equipment 63

UPS 58

## **V**

vapor barrier 25

vibration specifications 48

## **W**

waxed floors 26

web site

    HP storage 7

    HP support 8

weights 19

wet bulb temperature 48

windows, in the computer room 25