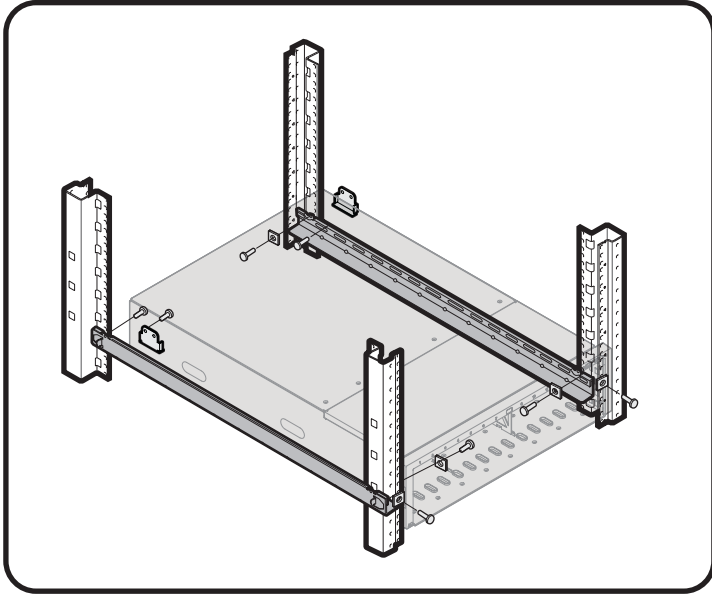




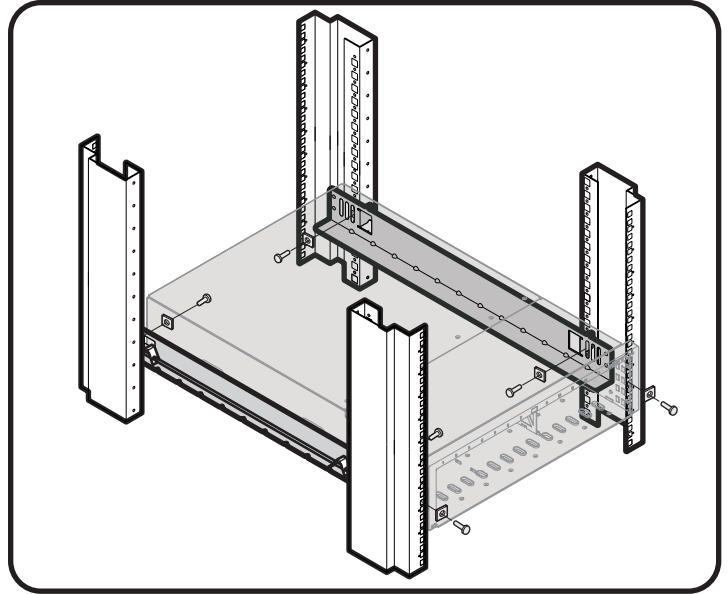
hp StorageWorks
virtual array family

rack installation
guide

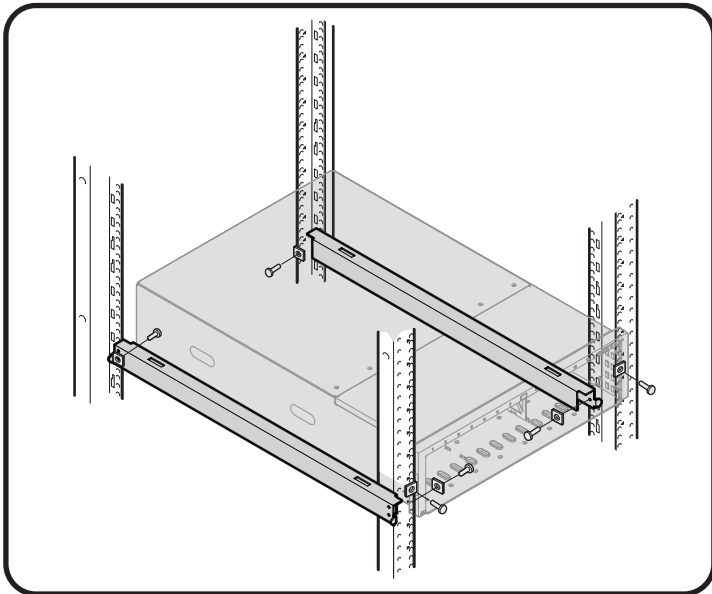
hp rack system/e
hp system racks
compaq 9000 rack



hp rack system/e



compaq 9000 rack



hp system racks E3660B, E3661B and E3662B

Copyright © 2001-2002
Hewlett-Packard Company

www.hp.com/support/va7400

Printed in U.S.A 07/02

Manufacturing Part Number



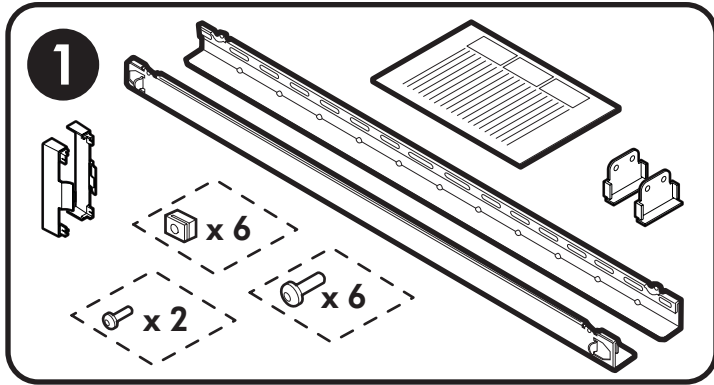
* A 6 1 8 3 - 9 6 1 2 4 *



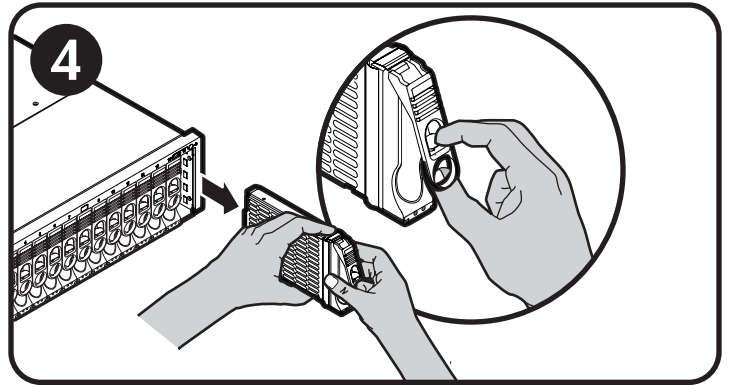
hp StorageWorks
virtual array family

rack installation
guide

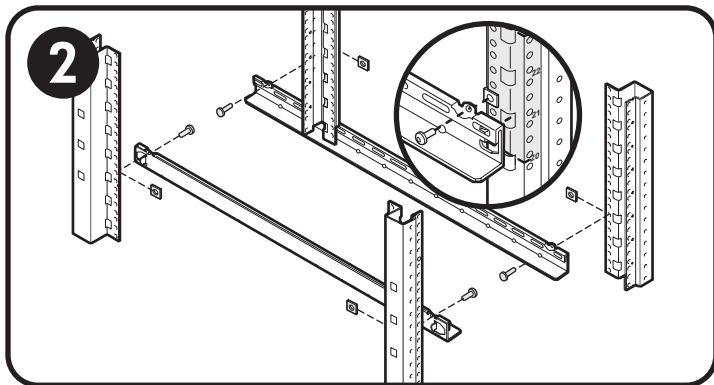
hp rack system/e



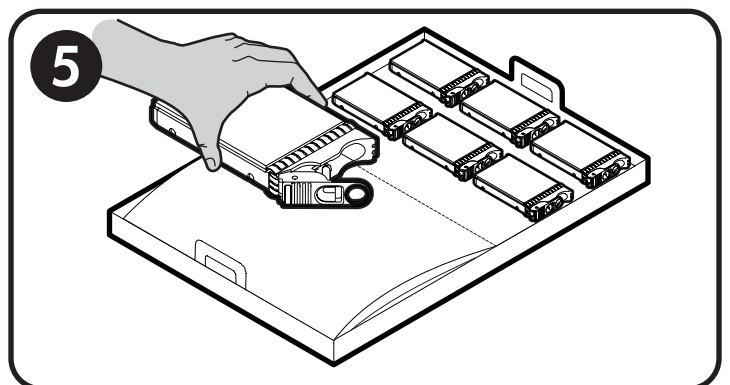
Inspect the contents of the rail kit.



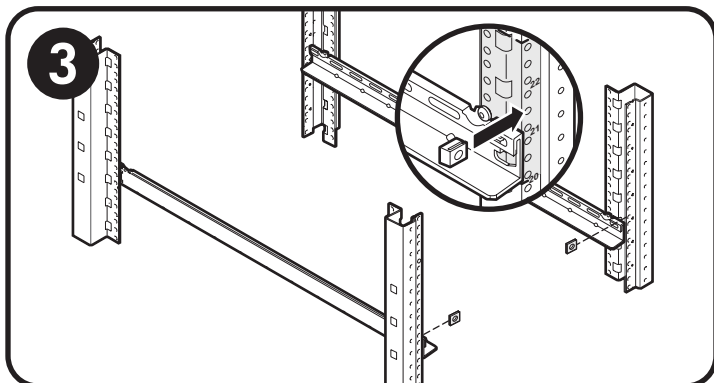
Remove the disk modules.



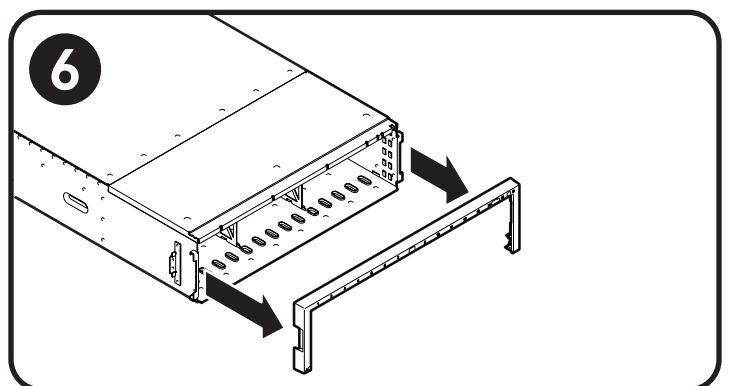
Install the rails and secure with four T25 screws.



Carefully place the disk modules on the anti-static mat provided in the packaging.



Install the front clip nuts.

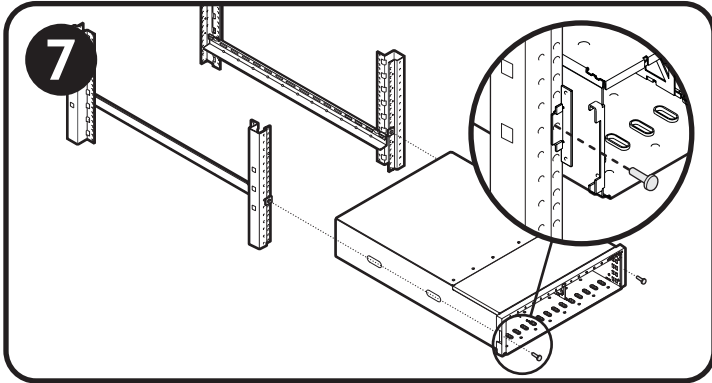


Remove the bezel.

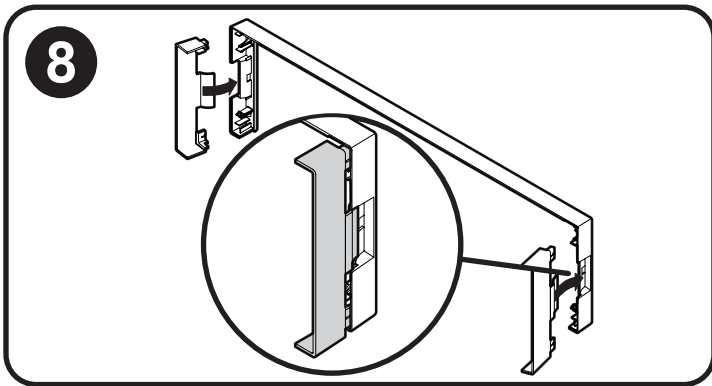


WARNING!

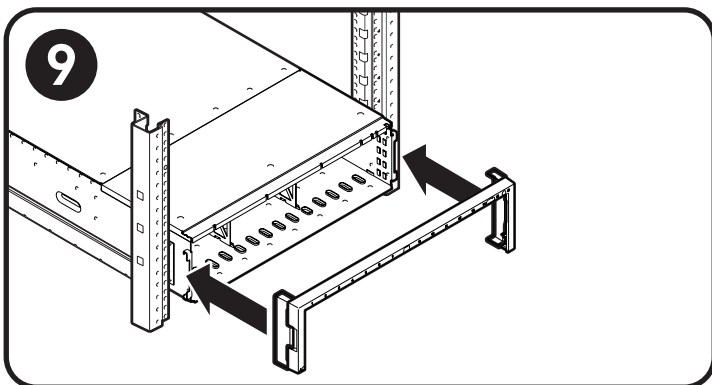
The empty enclosure may weigh over 60 pounds (27.2 kg). Two persons or a mechanical lift should be used to move the enclosure, or serious injury may result.



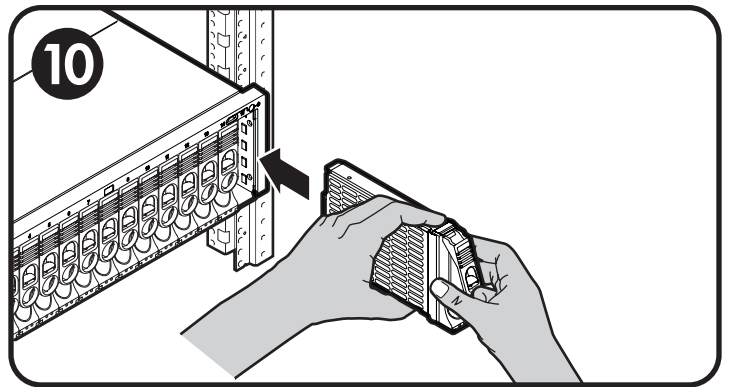
Install the enclosure and secure with two T25 screws.



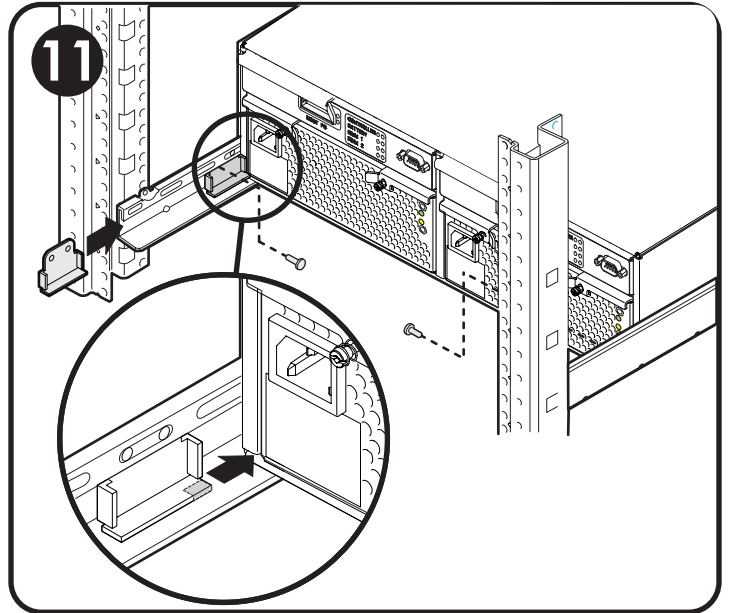
Install the bezel spacers.



Re-install the bezel.



Re-install the disk modules.



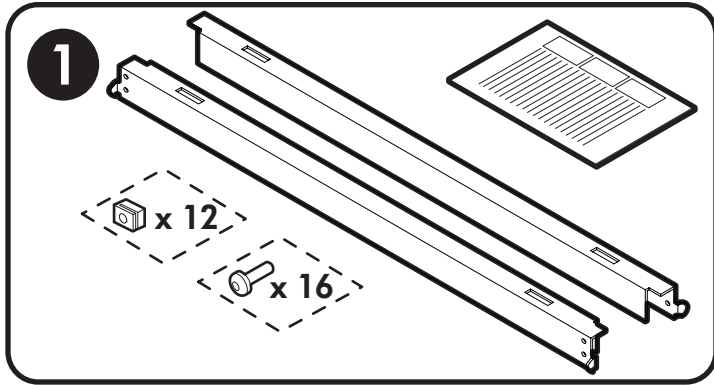
From the rear of the enclosure, install the rear tie down clamps and secure with two 10-32 screws.



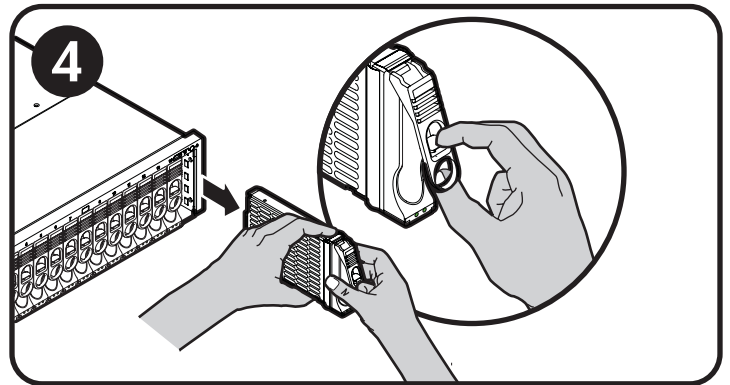
hp StorageWorks
virtual array family

rack installation
guide

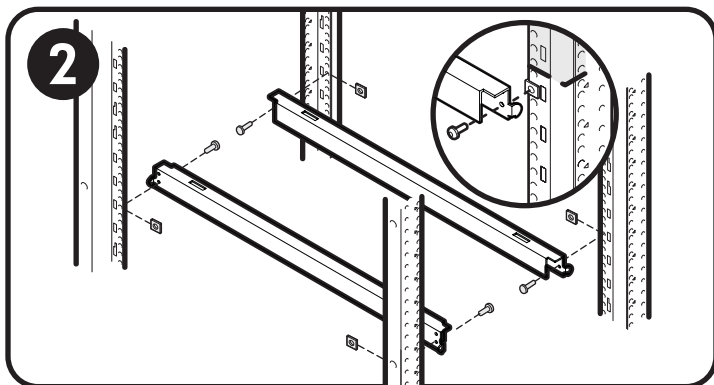
hp system racks
E3660B, E3661B
and E3662B



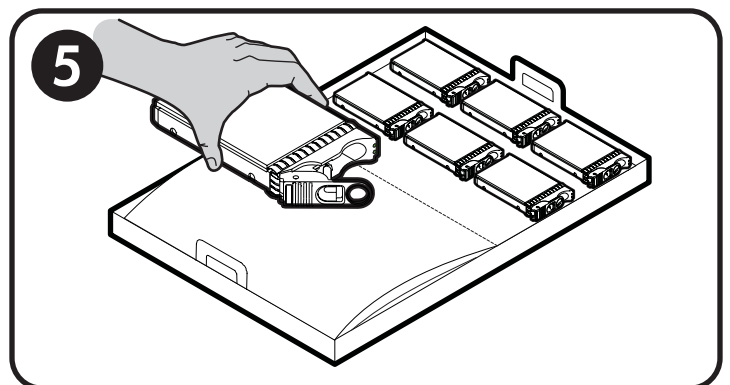
Inspect the contents of the rail kit.



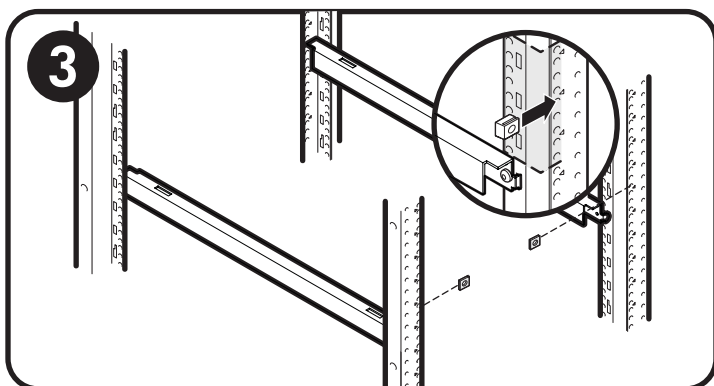
Remove the disk modules.



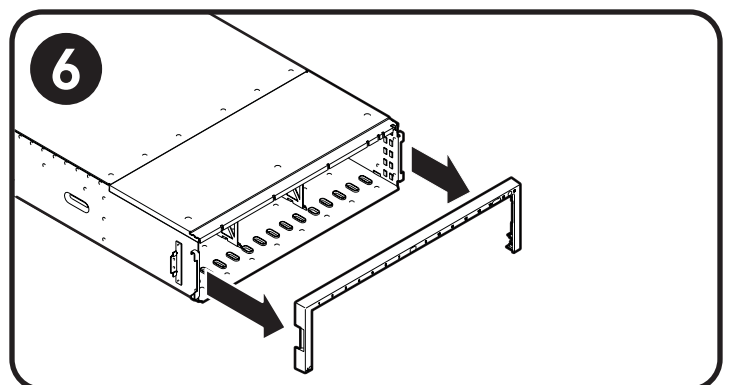
Install the rails with four clip nuts and screws.



Carefully place the disk modules on the anti-static mat provided in the packaging.



Install the front clip nuts.

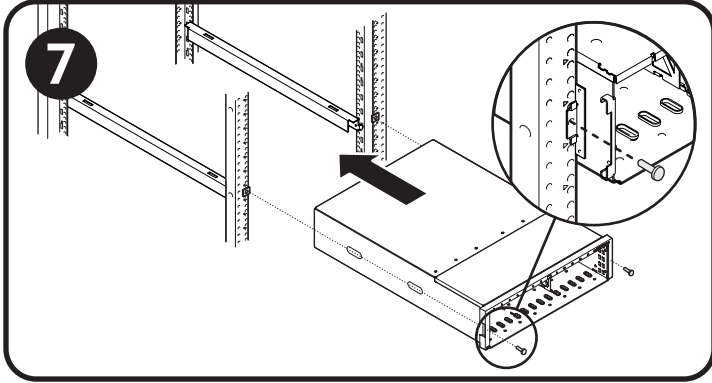


Remove the bezel.

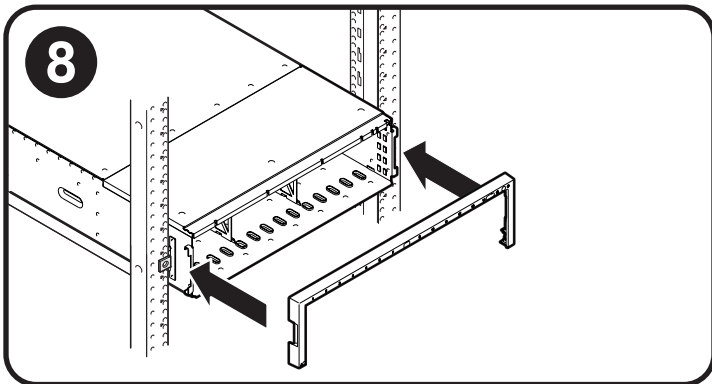


WARNING!

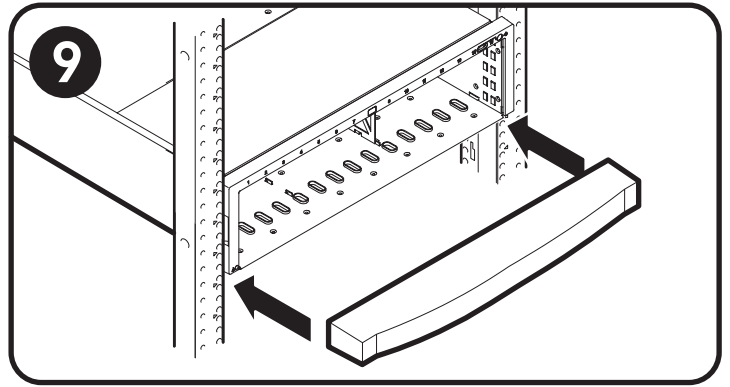
The empty enclosure may weigh over 60 pounds (27.2 kg). Two persons or a mechanical lift should be used to move the enclosure, or serious injury may result.



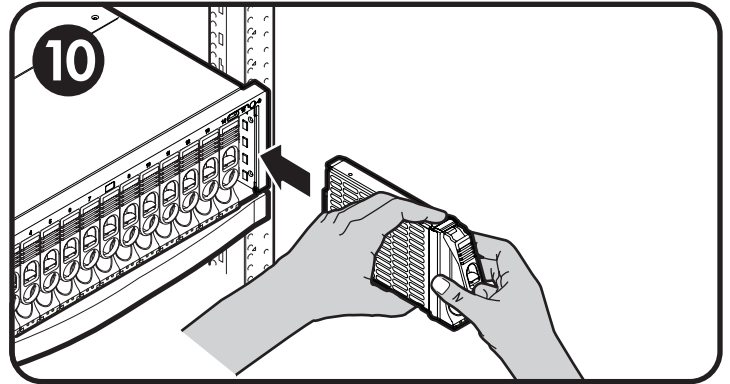
Install the enclosure and secure with two screws.



Re-install the bezel.



Install the filler panel.



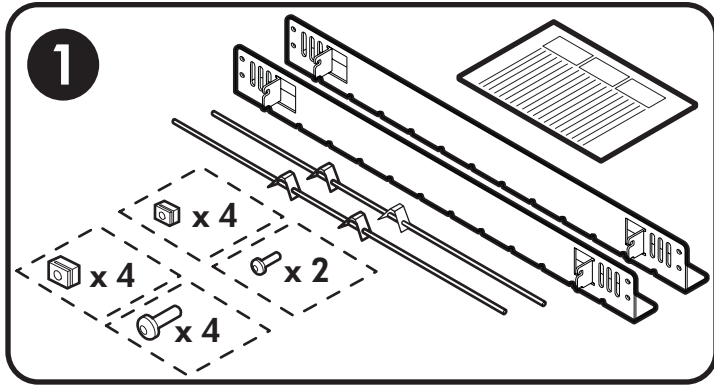
Re-install the disk modules.



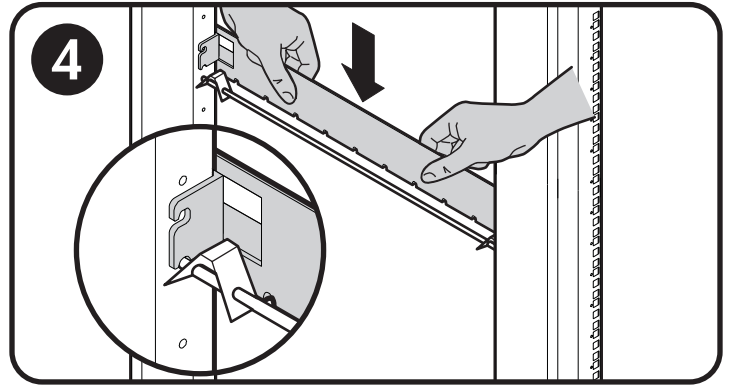
hp StorageWorks
virtual array family

rack installation
guide

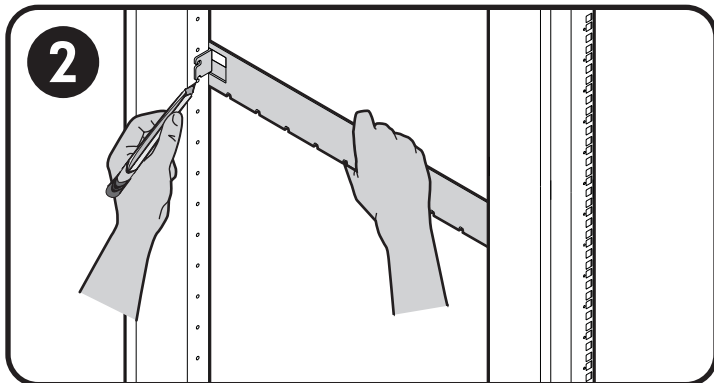
compaq 9000 rack



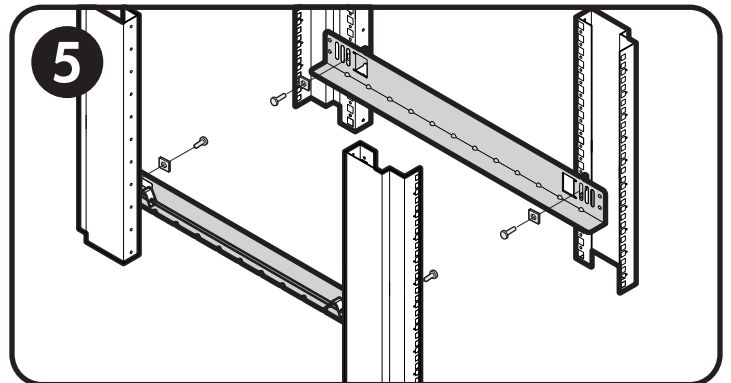
Inspect the contents of the rail kit.



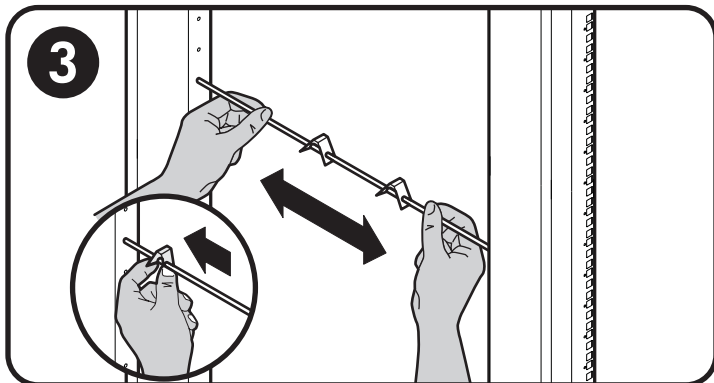
Slide the rails on to the support rods.



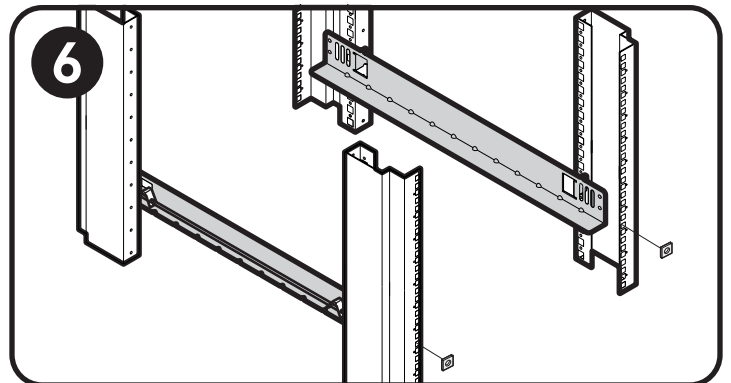
Hold the rails in place and mark the support rod holes.



Install four 5/16-18 clip nuts and attach the rails to the columns with four 5/16-18 screws.

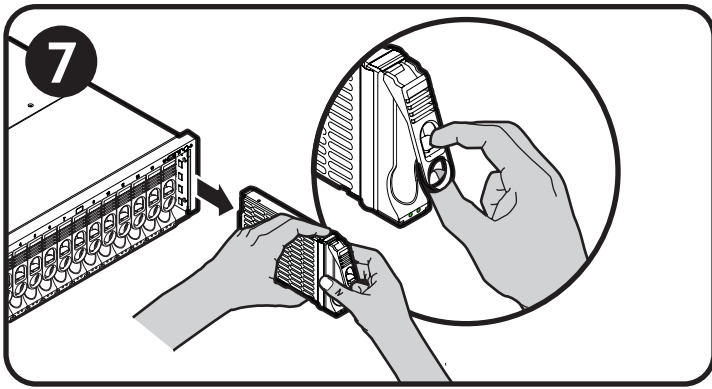


Install the support rods and slide a clip to each end.

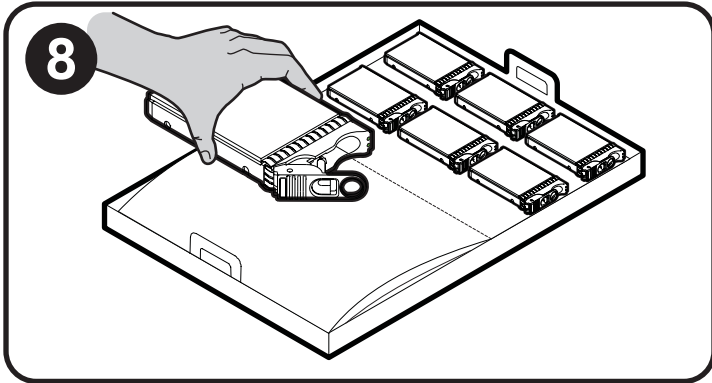


Install two 10-32 front clip nuts.

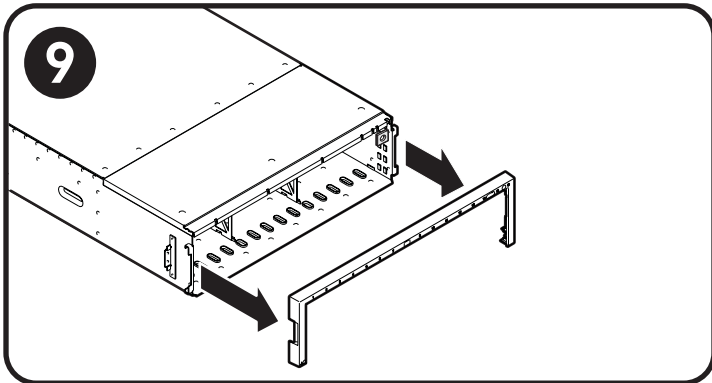




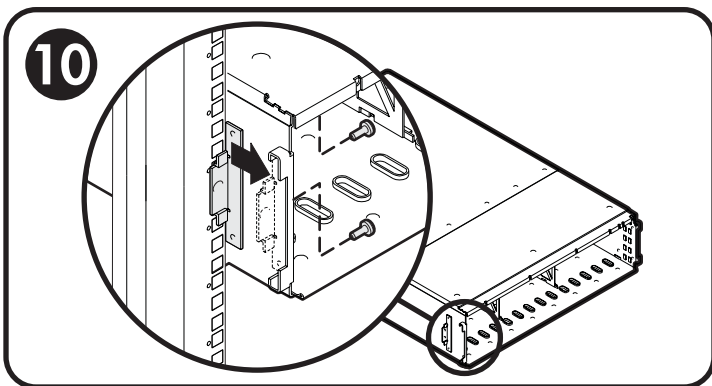
Remove the disk modules.



Carefully place the disk modules on the anti-static mat provided in the packaging.



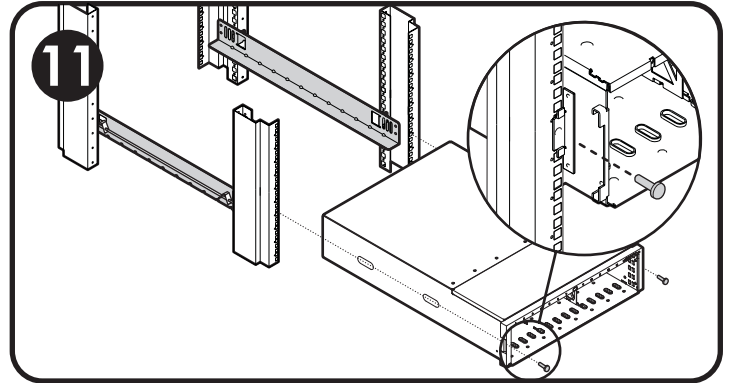
Remove the bezel.



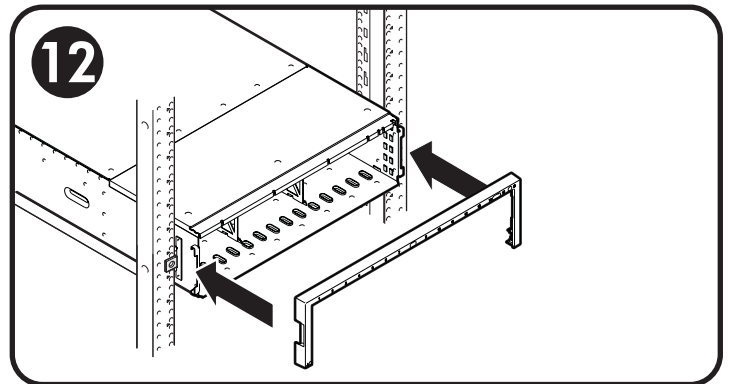
Unscrew the mounting ears and move them to the forward position on the enclosure.

WARNING!

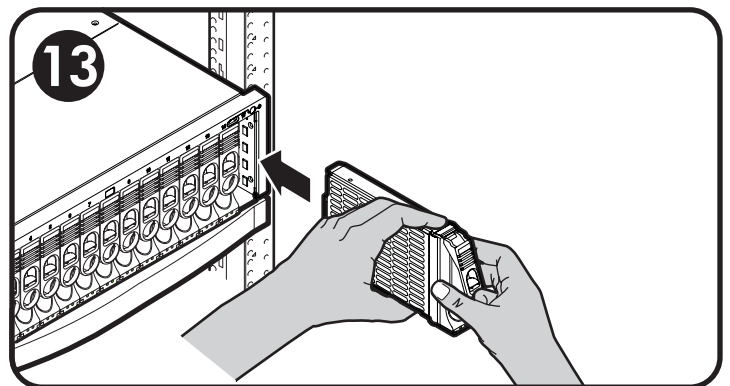
The empty enclosure may weigh over 60 pounds (27.2 kg). Two persons or a mechanical lift should be used to move the enclosure, or serious injury may result.



Install the enclosure and secure with two 10-32 screws.



Re-install the bezel.



Re-install the disk modules.