



Sun Java™ Workstation W1100z and W2100z Release Notes

Sun Microsystems, Inc.
www.sun.com

Part No. 817-6587-13
December 2004, Revision A

Submit comments about this document at: <http://www.sun.com/hwdocs/feedback>

Copyright 2004 Sun Microsystems, Inc., 4150 Network Circle, Santa Clara, California 95054, U.S.A. All rights reserved.

Sun Microsystems, Inc. has intellectual property rights relating to technology that is described in this document. In particular, and without limitation, these intellectual property rights may include one or more of the U.S. patents listed at <http://www.sun.com/patents> and one or more additional patents or pending patent applications in the U.S. and in other countries.

This document and the product to which it pertains are distributed under licenses restricting their use, copying, distribution, and decompilation. No part of the product or of this document may be reproduced in any form by any means without prior written authorization of Sun and its licensors, if any.

Third-party software, including font technology, is copyrighted and licensed from Sun suppliers.

Parts of the product may be derived from Berkeley BSD systems, licensed from the University of California. UNIX is a registered trademark in the U.S. and in other countries, exclusively licensed through X/Open Company, Ltd.

Sun, Sun Microsystems, the Sun logo, AnswerBook2, docs.sun.com, Java, and Solaris are trademarks or registered trademarks of Sun Microsystems, Inc. in the U.S. and in other countries.

All SPARC trademarks are used under license and are trademarks or registered trademarks of SPARC International, Inc. in the U.S. and in other countries. Products bearing SPARC trademarks are based upon an architecture developed by Sun Microsystems, Inc.

The OPEN LOOK and Sun™ Graphical User Interface was developed by Sun Microsystems, Inc. for its users and licensees. Sun acknowledges the pioneering efforts of Xerox in researching and developing the concept of visual or graphical user interfaces for the computer industry. Sun holds a non-exclusive license from Xerox to the Xerox Graphical User Interface, which license also covers Sun's licensees who implement OPEN LOOK GUIs and otherwise comply with Sun's written license agreements.

U.S. Government Rights—Commercial use. Government users are subject to the Sun Microsystems, Inc. standard license agreement and applicable provisions of the FAR and its supplements.

DOCUMENTATION IS PROVIDED "AS IS" AND ALL EXPRESS OR IMPLIED CONDITIONS, REPRESENTATIONS AND WARRANTIES, INCLUDING ANY IMPLIED WARRANTY OF MERCHANTABILITY, FITNESS FOR A PARTICULAR PURPOSE OR NON-INFRINGEMENT, ARE DISCLAIMED, EXCEPT TO THE EXTENT THAT SUCH DISCLAIMERS ARE HELD TO BE LEGALLY INVALID.

Copyright 2004 Sun Microsystems, Inc., 4150 Network Circle, Santa Clara, Californie 95054, Etats-Unis. Tous droits réservés.

Sun Microsystems, Inc. a les droits de propriété intellectuels relatants à la technologie qui est décrit dans ce document. En particulier, et sans la limitation, ces droits de propriété intellectuels peuvent inclure un ou plus des brevets américains énumérés à <http://www.sun.com/patents> et un ou les brevets plus supplémentaires ou les applications de brevet en attente dans les Etats-Unis et dans les autres pays.

Ce produit ou document est protégé par un copyright et distribué avec des licences qui en restreignent l'utilisation, la copie, la distribution, et la décompilation. Aucune partie de ce produit ou document ne peut être reproduite sous aucune forme, par quelque moyen que ce soit, sans l'autorisation préalable et écrite de Sun et de ses bailleurs de licence, s'il y en a.

Le logiciel détenu par des tiers, et qui comprend la technologie relative aux polices de caractères, est protégé par un copyright et licencié par des fournisseurs de Sun.

Des parties de ce produit pourront être dérivées des systèmes Berkeley BSD licenciés par l'Université de Californie. UNIX est une marque déposée aux Etats-Unis et dans d'autres pays et licenciée exclusivement par X/Open Company, Ltd.

Sun, Sun Microsystems, le logo Sun, AnswerBook2, docs.sun.com, Java, et Solaris sont des marques de fabrique ou des marques déposées de Sun Microsystems, Inc. aux Etats-Unis et dans d'autres pays.

Toutes les marques SPARC sont utilisées sous licence et sont des marques de fabrique ou des marques déposées de SPARC International, Inc. aux Etats-Unis et dans d'autres pays. Les produits portant les marques SPARC sont basés sur une architecture développée par Sun Microsystems, Inc.

L'interface d'utilisation graphique OPEN LOOK et Sun™ a été développée par Sun Microsystems, Inc. pour ses utilisateurs et licenciés. Sun reconnaît les efforts de pionniers de Xerox pour la recherche et le développement du concept des interfaces d'utilisation visuelle ou graphique pour l'industrie de l'informatique. Sun détient une licence non exclusive de Xerox sur l'interface d'utilisation graphique Xerox, cette licence couvrant également les licenciées de Sun qui mettent en place l'interface d'utilisation graphique OPEN LOOK et qui en outre se conforment aux licences écrites de Sun.

LA DOCUMENTATION EST FOURNIE "EN L'ÉTAT" ET TOUTES AUTRES CONDITIONS, DECLARATIONS ET GARANTIES EXPRESSES OU TACITES SONT FORMELLEMENT EXCLUES, DANS LA MESURE AUTORISEE PAR LA LOI APPLICABLE, Y COMPRIS NOTAMMENT TOUTE GARANTIE IMPLICITE RELATIVE A LA QUALITE MARCHANDE, A L'APTITUDE A UNE UTILISATION PARTICULIERE OU A L'ABSENCE DE CONTREFAÇON.



Sun Java Workstation W1100z and W2100z Release Notes

For the latest version of these release notes and other Sun Java Workstation W1100z and W2100z documentation, click the Documentation link on one of the following Web sites:

<http://www.sun.com/w1100z>

<http://www.sun.com/w2100z>

Please note the following issues and considerations for the Sun Java Workstation W1100z and W2100z:

Hardware/BIOS Issues

- “USB Mouse” on page 2
- “Graphics Cards” on page 2
- “Power Interruptions” on page 2
- “Fan Cycling Reduction” on page 2
- “Front Bezel and CD/DVD Drive Removal” on page 3
- “DIMM Placement” on page 5
- “SCSI Hard Disk Drives” on page 5

Linux-Specific Issues

- “Linux NVIDIA Drivers” on page 6
- “FX1100 Graphics Card” on page 6
- “1394 (Firewire) Interface” on page 7

Windows-Specific Issues

- “Windows XP Professional WHQL Certification” on page 8
- “Diagnostic Partition” on page 8
- “Hibernation” on page 8

Hardware/BIOS Issues

The following hardware and BIOS issues apply for the Sun Java Workstation W1100z and W2100z, regardless of the operating system installed on the workstation.

USB Mouse

Ensure that you use the Sun USB mouse (part number 370-3632-02 or later) that ships with the Sun Java Workstation W1100z and W2100z keyboard accessory kit. If you try to use Sun USB mouse part number 370-3632-01 with the Sun Java Workstation W1100z or W2100z, the mouse might not work correctly.

Graphics Cards

Note the behavior of the DVI connectors on the following graphics cards:

- **FX3000.** This card has two DVI connectors, one for a primary monitor and one for a secondary monitor. If you are only using one monitor, you might need to test each connector to see which one works with the monitor.
- **FX500.** This card has one analog (HB-15) and one DVI connector. In a single screen configuration, the analog output must be used. The DVI connector can be used for the secondary screen.

Power Interruptions

If the power to the system is interrupted for some reason other than through the normal shut-off procedures, wait 10 seconds or more before powering on the system. This will ensure that the standby power has time to shut off.

Fan Cycling Reduction

The current version of the workstation BIOS reduces the frequency of fan cycling when the system is not in heavy use. If you do not have BIOS version R01B2S0 on your system, install it from the Sun Java Workstation W1100z and W2100z Supplemental CD V1.2 (705-1059-12), or later, or download the Supplemental CD V1.2 ISO image from:

<http://www.sun.com/desktop/workstation/w1100z/downloads.html>

Front Bezel and CD/DVD Drive Removal

The *Sun Java Workstation W1100z and W2100z User Guide*, 817-6585-11, contains incomplete instructions for removing the CD/DVD drive and front bezel from the workstation. Note the following additional instructions for removing the CD/DVD drive and front bezel.

CD/DVD Drive Removal

The *Sun Java Workstation W1100z and W2100z User Guide* instructs you to remove the front bezel of the workstation before removing the CD/DVD drive. The correct procedure is to remove the CD/DVD drive from the workstation *before* removing the front bezel.

To remove the CD/DVD drive:

1. **Remove the CD/DVD drive cables, as instructed in *Sun Java Workstation W1100z and W2100z User Guide*, 817-6585-11, Section 4.5.2, “Replacing a CD/DVD Drive”. Use [FIGURE 1](#) for reference.**

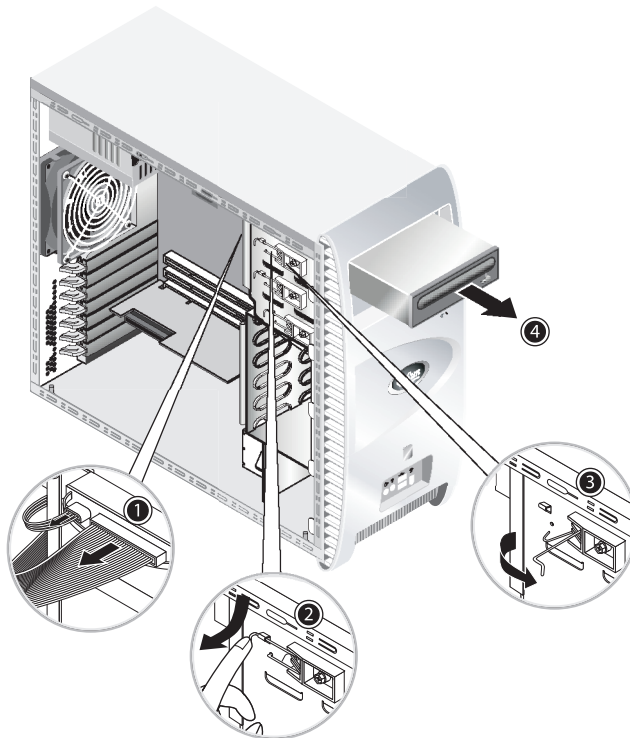


FIGURE 1 CD/DVD Drive Removal

2. Gently push the CD/DVD drive from the back of the CD/DVD drive bay out of the front of the workstation.
3. You can now replace the CD/DVD drive without removing the front bezel.

Front Bezel Removal

Use the following procedure to remove the front bezel from the workstation.

To remove the front bezel from the workstation:

1. Remove the CD/DVD drive as instructed in [“CD/DVD Drive Removal” on page 3](#).
2. Remove the filler panel in the second 5.25 inch bay (if a second drive is not installed).
3. After the CD/DVD drive and filler panel are removed, reach through the back of the CD/DVD drive bay and push the retention clips on the top of the bezel upward. (1)

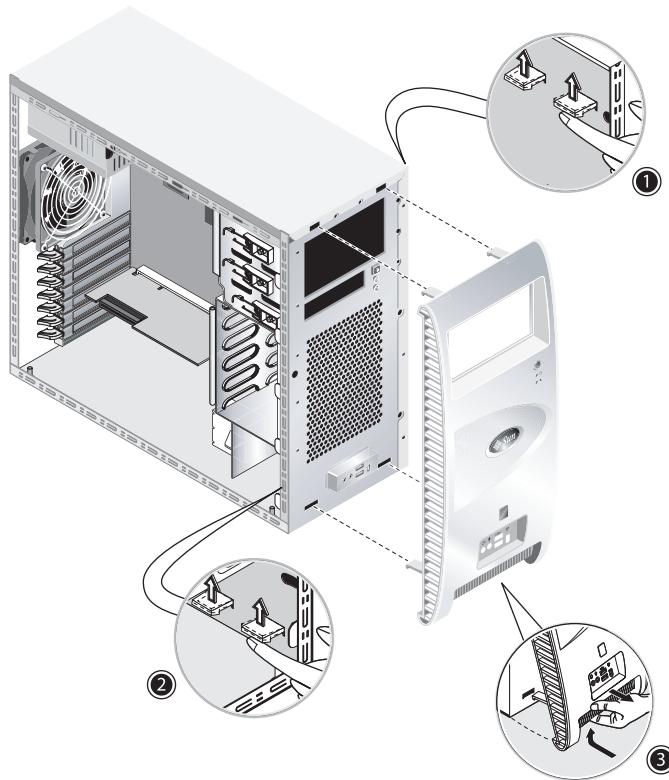


FIGURE 2 Front Bezel Removal

4. Pull the top of the bezel away from the chassis.
5. Press the retention clips on the bottom of the bezel upward(2) to release the bezel and pull the bezel away from the chassis. (3)

DIMM Placement

The *Sun Java Workstation W1100z and W2100z User Guide*, 817-6585-11, instructs you to replace DIMMs starting from the DIMM slot farthest from the CPU.

It is now recommended that you place the DIMMs in the slots closest to the CPU. For CPU 0, populate slots 3 and 4 first. For CPU 1, populate slots 7 and 8 first.

SCSI Hard Disk Drives

The Sun Java Workstation W2100z now supports up to four SCSI hard disk drives. The *Sun Java Workstation W1100z and W2100z User Guide*, 817-6585-11, incorrectly notes that only two SCSI drives are supported.

If you wish to install three or four SCSI drives into the workstation, see the following guidelines:

- Install drives in bays 1, 2, 4, and 5. Leave the 3 (middle) slot empty.
- Tuck excess cable length (such as the SCSI terminator) into bay 3.
- Connect drives in bays 1 and 2 to SCSI channel A and drives in bays 4 and 5 to SCSI channel B.
- Use the target ID 0 for drives in bays 1 and 4. Use target ID 1 for drives in bays 2 and 5.

For further information on installing hard disk drives, see Section 4.5.1 “Replacing or Adding Hard Disk Drives” in the *Sun Java Workstation W1100z and W2100z User Guide*, 817-6585-11.

Linux-Specific Issues

The following issues apply to Sun Java Workstation W1100z and W2100z systems that are running a Linux operating system.

Linux NVIDIA Drivers

Do not install older NVIDIA Linux display driver versions 1.0-5336 (32-bit) and 1.0-5332 (64-bit) and earlier, which are available on the NVIDIA web site. These driver versions cause the Sun Java Workstation W1100z or W2100z to lock up.

Use the NVIDIA drivers available on the Sun Java Workstation W1100z and W2100z Supplemental CD. You can also use NVIDIA drivers that are later than 1.0-5336.

FX1100 Graphics Card

If your Sun Java Workstation W1100z or W2100z has an FX1100 graphics card installed and you are installing Red Hat Enterprise Linux 3 WS AMD64, you need to perform the installation using text mode, rather than using the installation GUI.

Refer to the Red Hat Enterprise Linux 3 documentation for more information on performing a text mode installation.

1394 (Firewire) Interface

The IEEE 1394 interface is not supported in the Red Hat Enterprise Linux 3 software. If you have installed the Red Hat Enterprise Linux 3 WS operating system on the Sun Java Workstation W1100z or W2100z, you must complete the following procedure if you want to enable the 1394 port:

1. **Insert the Red Hat Enterprise Linux 3 WS CD 3 into the Sun Java Workstation W1100z or W2100z.**

2. **Install the following rpm:**

```
rpm -ivh kernel-unsupported-2.4.21-4.EL.kernel.rpm
```

Where *kernel* is the Red Hat kernel that you are running.

Note – If you have an SMP system, you might have to boot *both* the *smp* (symmetric multiprocessor) *and* the *uni* (uniprocessor) kernel, and install the respective rpm under each kernel. You only need to do this twice if you intend to boot between the *uni* and *smp* kernels.

3. **Add the following alias to the `/etc/modules.conf` directory:**

```
alias ieee1394-controller ohci1394
```

Note – If you do not type the alias correctly, Red Hat Enterprise Linux 3 might hang.

4. **Download the `rescan-scsi-bus.sh` script from the following URL:**

```
http://www.linux1394.org/scripts/rescan-scsi-bus.sh
```

5. **Reboot the workstation.**

The 1394 device is *not* enumerated until you run the script in [Step 6](#).

6. **Type the following to run `rescan-scsi-bus.sh`.**

```
# sh /rescan-scsi-bus.sh
```

The device(s) appear in a hardware browser or the `/proc/scsi/scsi` directory.

Windows-Specific Issues

The following issues apply to Sun Java Workstation W1100z and W2100z systems that are running the Windows XP Professional operating system.

Windows XP Professional WHQL Certification

The Sun W2100z workstation has been qualified by the Microsoft Hardware Quality Labs (WHQL) to run the Windows XP Professional operating system. However, Sun does not support the Windows XP Professional operating system, so you need to obtain the software and support through a Microsoft dealer.

Diagnostic Partition

The diagnostic partition for the Sun Java Workstation W1100z and W2100z cannot be mounted through Windows XP. The diagnostics software writes test logs to the diagnostics partition on the workstation. You can run the diagnostics software with Windows XP Professional, but you will not be able to read the log files.

Hibernation

When the Sun Java Workstation W1100z or W2100z is running Windows XP Professional, the USB mouse or keyboard does not wake the system when it is in hibernate or standby mode.

To wake the system from hibernate or standby mode, press and release the platform power button.