



SunPCi™ III SODIMM Installation Guide

Copyright 2003 Sun Microsystems, Inc., 4150 Network Circle, Santa Clara, California 95054, U.S.A.
All rights reserved.

Sun Microsystems, Inc. has intellectual property rights relating to technology embodied in the product that is described in this document. In particular, and without limitation, these intellectual property rights may include one or more of the U.S. patents listed at <http://www.sun.com/patents> and one or more additional patents or pending patent applications in the U.S. and in other countries.

This document and the product to which it pertains are distributed under licenses restricting their use, copying, distribution, and decompilation. No part of the product or of this document may be reproduced in any form by any means without prior written authorization of Sun and its licensors, if any.

Third-party software, including font technology, is copyrighted and licensed from Sun suppliers.

Parts of the product may be derived from Berkeley BSD systems, licensed from the University of California. UNIX is a registered trademark in the U.S. and in other countries, exclusively licensed through X/Open Company, Ltd.

Sun, Sun Microsystems, the Sun logo, AnswerBook2, docs.sun.com, SunPCi, Open Boot, Sun Blade, Sun Enterprise, SunSolve, Access1, and Solaris are trademarks or registered trademarks of Sun Microsystems, Inc. in the U.S. and in other countries.

All SPARC trademarks are used under license and are trademarks or registered trademarks of SPARC International, Inc. in the U.S. and in other countries. Products bearing SPARC trademarks are based upon an architecture developed by Sun Microsystems, Inc.

The OPEN LOOK and Sun™ Graphical User Interface was developed by Sun Microsystems, Inc. for its users and licensees. Sun acknowledges the pioneering efforts of Xerox in researching and developing the concept of visual or graphical user interfaces for the computer industry. Sun holds a non-exclusive license from Xerox to the Xerox Graphical User Interface, which license also covers Sun's licensees who implement OPEN LOOK GUIs and otherwise comply with Sun's written license agreements.

U.S. Government Rights—Commercial use. Government users are subject to the Sun Microsystems, Inc. standard license agreement and applicable provisions of the FAR and its supplements.

DOCUMENTATION IS PROVIDED "AS IS" AND ALL EXPRESS OR IMPLIED CONDITIONS, REPRESENTATIONS AND WARRANTIES, INCLUDING ANY IMPLIED WARRANTY OF MERCHANTABILITY, FITNESS FOR A PARTICULAR PURPOSE OR NON-INFRINGEMENT, ARE DISCLAIMED, EXCEPT TO THE EXTENT THAT SUCH DISCLAIMERS ARE HELD TO BE LEGALLY INVALID.



Please
Recycle



Adobe PostScript

SunPCi™ III SODIMM Installation Guide

This guide contains reference, installation, removal, replacement, and troubleshooting information about random access memory (RAM) small outline dual inline memory modules (SODIMM).

The SunPCi™ III card uses SODIMM as system memory, and supports several SODIMM capacities.

SunPCi I and SunPCi II hardware and software cannot co-exist with SunPCi III hardware or software.

Note – The SunPCi III card operates only with the SODIMM supplied by Sun. If you install a SODIMM not supplied by Sun or a Sun reseller, your warranty becomes invalid and the SODIMM will not work.

The following sections are contained in this guide:

- “Memory Overview” on page 3
- “What is In Your Memory Installation Kit” on page 4
- “Memory Installation or Replacement” on page 5
 - “Removing Older SunPCi Cards From Your System” on page 5
 - “Installing a SODIMM” on page 6
 - “Removing a SODIMM” on page 8
- “Troubleshooting SODIMM Installation” on page 10
- “Technical Assistance” on page 11

Memory Overview

The SunPCi III card has two SODIMM slots. The card comes standard with a 256-Mbyte SODIMM installed in one slot. The other slot is available to accommodate an optional SODIMM. You can also remove a SODIMM from a slot and install a larger capacity SODIMM in either or both slots.

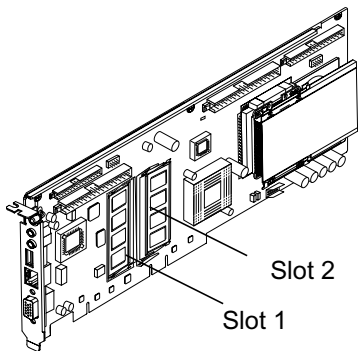


FIGURE 1 SODIMM Slots and Connectors

What is In Your Memory Installation Kit

The SunPCi III SODIMM installation kit contains the following items:

- SODIMM in an antistatic bag
- Grounding wrist strap
- Instructions (this guide)

Save the packaging that comes with your memory module. If you need to return a SODIMM or the SunPCi III card for service, you must return the card in its original configuration and packaging.

Memory Installation or Replacement

To install or replace a SODIMM, use the following procedures.

Removing Older SunPCi Cards From Your System

1. **Take antistatic precautions: attach and electrically ground the wrist strap.**



Caution – Use the wrist strap in the installation kit and attach its adhesive copper strip to an unpainted area on the metal chassis of the system. Wrap the other end twice around your wrist with the adhesive side against your skin.

2. **Remove all older SunPCi cards and software from your system as described in the *SunPCI III Quick Start Installation Guide*.**
3. **If your SunPCi III card is not yet installed, skip this procedure and go to either “Removing a SODIMM” on page 8, or “Installing a SODIMM” on page 6.**
4. **If your SunPCi III card is already installed, power off your system and open the system unit.**
Refer to the system documentation for instructions on how to open and close the system unit.

Note – When the system is powered off, make sure that the power cord is plugged into its receptacle to maintain a grounding path.

Installing a SODIMM

1. Locate the SODIMM slots on the SunPCi III card.

Select the slot to use. FIGURE 1 shows the locations of the slots.



Caution – The SODIMM is sensitive to electrostatic discharge (ESD).

2. Remove the SODIMM from its protective packaging, holding the module only by the edges.

3. Holding the SODIMM at an approximately 20-degree angle to the card, insert the bottom edge of the SODIMM into the bottom of the slot's hinge-style connector (see FIGURE 2).

With even pressure, push simultaneously on both upper corners of the SODIMM until its bottom edge is seated in the connector.



Caution – Do not rock the SODIMM into place. You will hear a click when the SODIMM is properly seated.

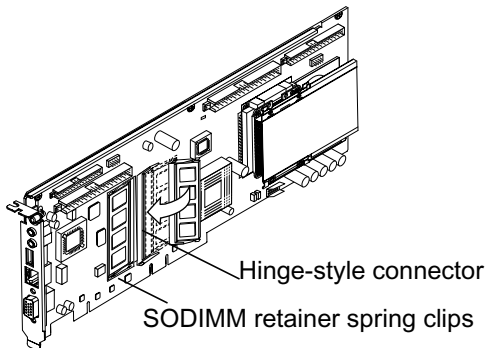


FIGURE 2 SODIMM Installation

- 4. Press the top edge of the SODIMM toward the card until the retainer clips click into place.**
The small metal retainer clips on each side of the SODIMM slot are spring-loaded, and click into place in the notches on the SODIMM sides.
- 5. Reinstall the SunPCI III card into your system as described in the *SunPCI III Quick Start Installation Guide*.**

6. Detach the wrist strap and close the system unit.

See the system documentation for instructions on how to close the system unit.

Removing a SODIMM

You might need to remove a SODIMM from the SunPCi III card if you are returning the SODIMM or SunPCi card for service or if you are replacing the SODIMM.

To remove a SODIMM from the SunPCi III card, perform the following steps:

1. **Take antistatic precautions: attach and electrically ground the wrist strap.**



Caution – Use the wrist strap in the installation kit and attach its adhesive copper strip to an unpainted area on the metal chassis of the system. Wrap the other end twice around your wrist with the adhesive side against your skin.

2. **If your SunPCi III card is installed into your system, power off your system and open the system unit.**

Refer to the system documentation for instructions on how to open and close the system unit.

Note – When the system is powered off, make sure that the power cord is plugged into its receptacle to maintain a grounding path.

3. Simultaneously pull both SODIMM spring retainer clips outward from the slot to remove the SODIMM.

The SODIMM releases outward at an angle of about 20 degrees.

4. Grasp the SODIMM by the edges, and carefully pull it out of its connector. Place the SODIMM in an antistatic bag.

Ensure that you pull the SODIMM out at an angle of about 20 degrees, or you might damage the SODIMM.

Note – If you are replacing the SODIMM you removed with a new SODIMM, refer to “Installing a SODIMM” on page 6.

Troubleshooting SODIMM Installation

You might see the following error message after you reinstall the SunPCi III card into your system and power on the system:

```
Driver couldn't be loaded.
```

```
SunPCi cannot open the device.
```

This error message appears when the SunPCi III software cannot locate the card, usually when hardware is improperly installed. Verify that the card is securely seated in the PCI slot.

When you start the SunPCi III software with your installed version of Microsoft Windows, verify that the system shows the correct amount of installed memory; otherwise, remove and reinstall the SODIMM.

If the SunPCi III software does not operate at all, the SODIMM might not be functioning or was improperly installed. If the memory module is seated correctly and SunPCi III software still does not operate, you might need to return the SODIMM.

Note – The BIOS memory test should indicate that additional memory was installed on the SunPCi III card.

Note – Complete the `boot -r` command after installing new hardware and restarting. Refer to the *SunPCi III Quick Start Installation Guide* for more information.

Technical Assistance

If you replaced the SODIMM, save the original factory-shipped SODIMM. If you need to return your SunPCi III card for service, you must reinstall the original SODIMM and return the card in its original configuration.

If you have a problem with your SunPCi III SODIMM, contact your service provider or sales representative.

To speed service, have your system serial number and SunPCi III card sales order number available.

Note – Benefits provided by your service provider might differ from those provided by the standard Sun factory warranty.

Copyright 2003 Sun Microsystems, Inc., 4150 Network Circle, Santa Clara, California 95054, Etats-Unis. Tous droits réservés.

Sun Microsystems, Inc. a les droits de propriété intellectuels relatants à la technologie incorporée dans le produit qui est décrit dans ce document. En particulier, et sans la limitation, ces droits de propriété intellectuels peuvent inclure un ou plus des brevets américains énumérés à <http://www.sun.com/patents> et un ou les brevets plus supplémentaires ou les applications de brevet en attente dans les Etats-Unis et dans les autres pays.

Ce produit ou document est protégé par un copyright et distribué avec des licences qui en restreignent l'utilisation, la copie, la distribution, et la décompilation. Aucune partie de ce produit ou document ne peut être reproduite sous aucune forme, par quelque moyen que ce soit, sans l'autorisation préalable et écrite de Sun et de ses bailleurs de licence, s'il y en a.

Le logiciel détenu par des tiers, et qui comprend la technologie relative aux polices de caractères, est protégé par un copyright et licencié par des fournisseurs de Sun.

Des parties de ce produit pourront être dérivées des systèmes Berkeley BSD licenciés par l'Université de Californie. UNIX est une marque déposée aux Etats-Unis et dans d'autres pays et licenciée exclusivement par X/Open Company, Ltd.

Sun, Sun Microsystems, le logo Sun, AnswerBook2, docs.sun.com, SunPCi, Open Boot, Sun Blade, Sun Enterprise, SunSolve, Access1, et Solaris sont des marques de fabrique ou des marques déposées de Sun Microsystems, Inc. aux Etats-Unis et dans d'autres pays.

Toutes les marques SPARC sont utilisées sous licence et sont des marques de fabrique ou des marques déposées de SPARC International, Inc. aux Etats-Unis et dans d'autres pays. Les produits portant les marques SPARC sont basés sur une architecture développée par Sun Microsystems, Inc.

L'interface d'utilisation graphique OPEN LOOK et Sun™ a été développée par Sun Microsystems, Inc. pour ses utilisateurs et licenciés. Sun reconnaît les efforts de pionniers de Xerox pour la recherche et le développement du concept des interfaces d'utilisation visuelle ou graphique pour l'industrie de l'informatique. Sun détient une licence non exclusive de Xerox sur l'interface d'utilisation graphique Xerox, cette licence couvrant également les licenciés de Sun qui mettent en place l'interface d'utilisation graphique OPEN LOOK et qui en outre se conforment aux licences écrites de Sun.

LA DOCUMENTATION EST FOURNIE "EN L'ÉTAT" ET TOUTES AUTRES CONDITIONS, DECLARATIONS ET GARANTIES EXPRESSES OU TACITES SONT FORMELLEMENT EXCLUES, DANS LA MESURE AUTORISÉE PAR LA LOI APPLICABLE, Y COMPRIS NOTAMMENT TOUTE GARANTIE IMPLICITE RELATIVE A LA QUALITE MARCHANDE, A L'APTITUDE A UNE UTILISATION PARTICULIERE OU A L'ABSENCE DE CONTREFAÇON.



Sun Microsystems, Inc.
4150 Network Circle
Santa Clara, CA 95054 USA
www.sun.com

Part No. 817-0888-10, Rev. A
February 2003

