



Start Here

Installation and Documentation Reference

Sun StorEdge™ 6120 Array

1 Access the Online Documentation

These documents and other related documents are available online at <http://www.sun.com/documentation> and at <http://docs.sun.com>:

Title	Description	Part Number
<i>Sun StorEdge 6120 Array Release Notes</i>	Provides late-breaking information about the system.	817-0201
<i>Sun StorEdge 6120 Array Regulatory and Safety Compliance Manual</i>	Provides safety and compliance information for the system.	817-0961
<i>Sun StorEdge 6120 Array Site Preparation Guide</i>	Explains how to prepare the site for array installation.	817-0960
<i>Sun StorEdge 6120 Array Installation Guide</i>	Provides detailed procedures to install the array and power it on so that it is ready to use.	817-0199
<i>Sun StorEdge 6020 and 6120 Arrays System Manual</i>	Provides a product overview, service procedures, and CLI administration.	817-0200
<i>Storage Automated Diagnostic Environment 2.2 User's Guide -- Device Edition</i>	Provides instructions on using the diagnostics tool for troubleshooting.	817-0822

The Sun StorEdge™ 6000 Family Host Installation Software documentation is available with the software CD that ships with the array, and with the software from the Sun Download Center:

<http://www.sun.com/software/download>

2 Prepare for the Installation

Before starting the installation, complete the following tasks:

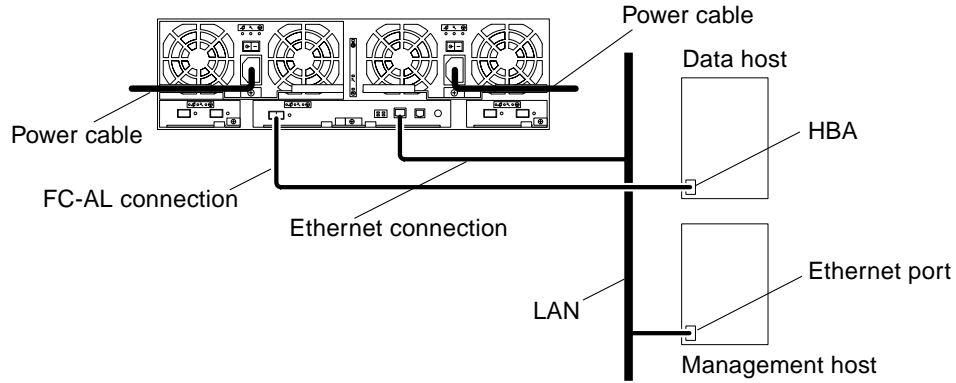
Task	Title
Read this document for late-breaking information that may affect the product installation.	<i>Sun StorEdge 6120 Array Release Notes</i>
Prepare the installation site.	<i>Sun StorEdge 6120 Array Site Preparation Guide</i>
Unpack the array and place it in the prepared site.	<i>Sun StorEdge 6120 Array Installation Guide</i>
Prepare the data host(s) by installing the approved host bus adapters, and establishing the array MAC and IP addresses.	Documentation that ships with the host bus adapter <i>Sun StorEdge 6120 Array Installation Guide</i>
Identify the management host on which you will install the Sun StorEdge 6000 Family Host Software.	Refer to the <i>Sun StorEdge 6000 Family Host Installation Software Guide</i> for host requirements.

3 Install the Array Hardware

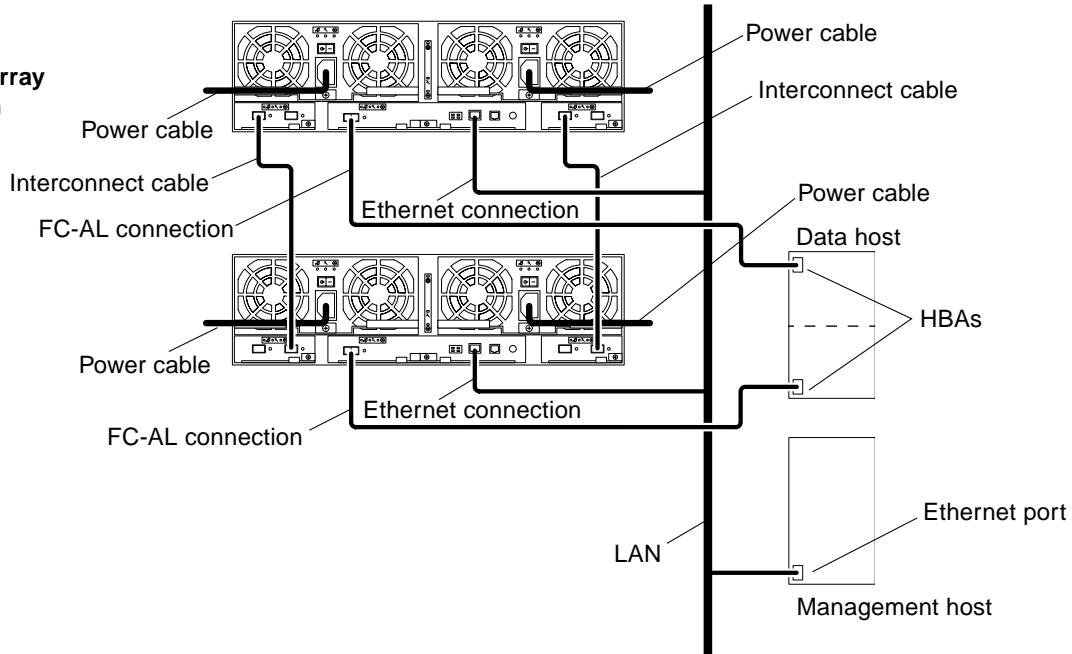
Refer to the *Sun StorEdge 6120 Array Installation Guide* for complete, detailed instructions to ensure a successful array installation. Refer to the Installation Guide for information about cabling expansion units

1. Cable the array configuration as illustrated.
2. Power on the array(s).

**Sun StorEdge 6120 array
1x1 configuration**



**Sun StorEdge 6120 array
2x2 HA configuration**



4 Install the Management Host Software

Refer to the *Sun StorEdge 6000 Family Host Installation Software Guide* that is shipped with the software CD.

5 Configure the Array Volumes

Use the Sun StorEdge Configuration Service software to establish storage pools and volumes on the array. Refer software tool's online help for information.

6 Configure the Data Host and Verify its Access to the New Array Volumes

Refer to the Sun StorEdge 6120 Array Installation Guide for instructions.

Refer to the following documentation if the array requires servicing.

Title	Description
<i>Sun StorEdge 6120 Array Release Notes</i>	Includes any late-breaking information that could affect array servicing.
<i>Storage Automated Diagnostic Environment 2.2 User's Guide -- Device Edition</i> <i>Storage Automated Diagnostic Environment 2.2 Device Edition Release Notes</i>	Provides troubleshooting and diagnostics procedures using the Storage Automated Diagnostic Environment software.
<i>Sun StorEdge 6020 and 6120 Arrays System Manual</i>	Provides basic troubleshooting using the array CLI and hardware replacement procedures.

For additional service assistance, refer to <http://www.sun.com/service/contacting>.

Copyright 2003 Sun Microsystems, Inc. All rights reserved. Use is subject to license terms. Third-party software, including font technology, is copyrighted and licensed from Sun suppliers. Portions may be derived from Berkeley BSD systems, licensed from U. of CA. Sun, Sun Microsystems, the Sun logo, Sun StorEdge, and Solaris are trademarks or registered trademarks of Sun Microsystems, Inc. in the U.S. and in other countries. All SPARC trademarks are used under license and are trademarks or registered trademarks of SPARC International, Inc. in the U.S. and in other countries. Federal Acquisitions: Commercial Software—Government Users Subject to Standard License Terms and Conditions.

Copyright 2003 Sun Microsystems, Inc. Tous droits réservés. Distribué par des licences qui en restreignent l'utilisation. Le logiciel détenu par des tiers, et qui comprend la technologie relative aux polices de caractères, est protégé par un copyright et licencié par des fournisseurs de Sun. Des parties de ce produit pourront être dérivées des systèmes Berkeley BSD licenciés par l'Université de Californie. Sun, Sun Microsystems, le logo Sun, Sun StorEdge, et Solaris sont des marques de fabrique ou des marques déposées de Sun Microsystems, Inc. aux Etats-Unis et dans d'autres pays. Toutes les marques SPARC sont utilisées sous licence et sont des marques de fabrique ou des marques déposées de SPARC International, Inc. aux Etats-Unis et dans d'autres pays.



Sun Microsystems, Inc.
4150 Network Circle
Santa Clara, CA 95054 USA
www.sun.com

Bar Code Area

Part No. 817-0198-11, Rev A
May 2003