



# Sun StorEdge FC Switch-8 and Switch-16 Rackmounting Guide

---

Sun Microsystems, Inc.  
4150 Network Circle  
Santa Clara, CA 95054 U.S.A.  
650-960-1300

Part No. 817-0070-10  
October 2002, Revision 01

Send comments about this document to: [docfeedback@sun.com](mailto:docfeedback@sun.com)

Copyright 2002 Sun Microsystems, Inc., 4150 Network Circle, Santa Clara, California 95054, U.S.A. All rights reserved.

Sun Microsystems, Inc. has intellectual property rights relating to technology embodied in the product that is described in this document. In particular, and without limitation, these intellectual property rights may include one or more of the U.S. patents listed at <http://www.sun.com/patents> and one or more additional patents or pending patent applications in the U.S. and in other countries.

This document and the product to which it pertains are distributed under licenses restricting their use, copying, distribution, and decompilation. No part of the product or of this document may be reproduced in any form by any means without prior written authorization of Sun and its licensors, if any.

Third-party software, including font technology, is copyrighted and licensed from Sun suppliers.

Parts of the product may be derived from Berkeley BSD systems, licensed from the University of California. UNIX is a registered trademark in the U.S. and in other countries, exclusively licensed through X/Open Company, Ltd.

Sun, Sun Microsystems, the Sun logo, AnswerBook2, docs.sun.com, and Solaris **[AND ATTRIBUTION OF ALL OTHER SUN TRADEMARKS MENTIONED SIGNIFICANTLY THROUGHOUT PRODUCT OR DOCUMENTATION. REMOVE THIS TEXT!]** are trademarks or registered trademarks of Sun Microsystems, Inc. in the U.S. and in other countries.

All SPARC trademarks are used under license and are trademarks or registered trademarks of SPARC International, Inc. in the U.S. and in other countries. Products bearing SPARC trademarks are based upon an architecture developed by Sun Microsystems, Inc. **[THIRD-PARTY TRADEMARKS THAT REQUIRE ATTRIBUTION APPEAR IN 'TMARK.' IF YOU BELIEVE A THIRD-PARTY MARK NOT APPEARING IN 'TMARK' SHOULD BE ATTRIBUTED, CONSULT YOUR EDITOR OR THE SUN TRADEMARK GROUP FOR GUIDANCE.]**

The OPEN LOOK and Sun™ Graphical User Interface was developed by Sun Microsystems, Inc. for its users and licensees. Sun acknowledges the pioneering efforts of Xerox in researching and developing the concept of visual or graphical user interfaces for the computer industry. Sun holds a non-exclusive license from Xerox to the Xerox Graphical User Interface, which license also covers Sun's licensees who implement OPEN LOOK GUIs and otherwise comply with Sun's written license agreements.

**[IF ENERGY STAR INFORMATION IS REQUIRED FOR YOUR PRODUCT, COPY THE ENERGY STAR GRAPHIC FROM THE REFERENCE PAGE AND PASTE IT HERE, USING THE "GraphicAnchor" PARAGRAPH TAG. ALSO, COPY THE ENERGY STAR LOGO TRADEMARK ATTRIBUTION FROM THE REFERENCE PAGE AND PASTE IT ABOVE WHERE THIRD-PARTY TRADEMARKS ARE ATTRIBUTED. (ENGLISH COPYRIGHT ONLY). DELETE THIS TEXT.]**

Use, duplication, or disclosure by the U.S. Government is subject to restrictions set forth in the Sun Microsystems, Inc. license agreements and as provided in DFARS 227.7202-1(a) and 227.7202-3(a) (1995), DFARS 252.227-7013(c)(1)(ii) (Oct. 1998), FAR 12.212(a) (1995), FAR 52.227-19, or FAR 52.227-14 (ALT III), as applicable.

DOCUMENTATION IS PROVIDED "AS IS" AND ALL EXPRESS OR IMPLIED CONDITIONS, REPRESENTATIONS AND WARRANTIES, INCLUDING ANY IMPLIED WARRANTY OF MERCHANTABILITY, FITNESS FOR A PARTICULAR PURPOSE OR NON-INFRINGEMENT, ARE DISCLAIMED, EXCEPT TO THE EXTENT THAT SUCH DISCLAIMERS ARE HELD TO BE LEGALLY INVALID.

---

Copyright 2002 Sun Microsystems, Inc., 4150 Network Circle, Santa Clara, California 95054, Etats-Unis. Tous droits réservés.

Sun Microsystems, Inc. a les droits de propriété intellectuels relatants à la technologie incorporée dans le produit qui est décrit dans ce document. En particulier, et sans la limitation, ces droits de propriété intellectuels peuvent inclure un ou plus des brevets américains énumérés à <http://www.sun.com/patents> et un ou les brevets plus supplémentaires ou les applications de brevet en attente dans les Etats-Unis et dans les autres pays.

Ce produit ou document est protégé par un copyright et distribué avec des licences qui en restreignent l'utilisation, la copie, la distribution, et la décompilation. Aucune partie de ce produit ou document ne peut être reproduite sous aucune forme, par quelque moyen que ce soit, sans l'autorisation préalable et écrite de Sun et de ses bailleurs de licence, s'il y en a.

Le logiciel détenu par des tiers, et qui comprend la technologie relative aux polices de caractères, est protégé par un copyright et licencié par des fournisseurs de Sun.

Des parties de ce produit pourront être dérivées des systèmes Berkeley BSD licenciés par l'Université de Californie. UNIX est une marque déposée aux Etats-Unis et dans d'autres pays et licenciée exclusivement par X/Open Company, Ltd.

Sun, Sun Microsystems, le logo Sun, AnswerBook2, docs.sun.com, et Solaris **[AND ATTRIBUTION OF ALL OTHER SUN TRADEMARKS MENTIONED SIGNIFICANTLY THROUGHOUT PRODUCT OR DOCUMENTATION. REMOVE THIS TEXT!]** sont des marques de fabrique ou des marques déposées de Sun Microsystems, Inc. aux Etats-Unis et dans d'autres pays.

Toutes les marques SPARC sont utilisées sous licence et sont des marques de fabrique ou des marques déposées de SPARC International, Inc. aux Etats-Unis et dans d'autres pays. Les produits portant les marques SPARC sont basés sur une architecture développée par Sun Microsystems, Inc. **[THIRD-PARTY TRADEMARKS THAT REQUIRE ATTRIBUTION APPEAR IN 'TMARK.' IF YOU BELIEVE A THIRD-PARTY MARK NOT APPEARING IN 'TMARK' SHOULD BE ATTRIBUTED, CONSULT YOUR EDITOR OR THE SUN TRADEMARK GROUP FOR GUIDANCE.]**

L'interface d'utilisation graphique OPEN LOOK et Sun™ a été développée par Sun Microsystems, Inc. pour ses utilisateurs et licenciés. Sun reconnaît les efforts de pionniers de Xerox pour la recherche et le développement du concept des interfaces d'utilisation visuelle ou graphique pour l'industrie de l'informatique. Sun détient une licence non exclusive de Xerox sur l'interface d'utilisation graphique Xerox, cette licence couvrant également les licenciées de Sun qui mettent en place l'interface d'utilisation graphique OPEN LOOK et qui en outre se conforment aux licences écrites de Sun.



LA DOCUMENTATION EST FOURNIE "EN L'ÉTAT" ET TOUTES AUTRES CONDITIONS, DECLARATIONS ET GARANTIES EXPRESSES OU TACITES SONT FORMELLEMENT EXCLUES, DANS LA MESURE AUTORISEE PAR LA LOI APPLICABLE, Y COMPRIS NOTAMMENT TOUTE GARANTIE IMPLICITE RELATIVE A LA QUALITE MARCHANDE, A L'APTITUDE A UNE UTILISATION PARTICULIERE OU A L'ABSENCE DE CONTREFAÇON.



# Contents

---

## **1. Sun StorEdge FC 8-Port and 16-Port Switch Rackmounting Guide 1**

### Rackmounting the 8-Port Switch 1

- ▼ To Prepare the Rails 1
- ▼ To Attach the Rails to the Cabinet 3
- ▼ To Install the Tray onto the Rails 5
- ▼ To Install the Switch and the Vent Panel 6

### Rackmounting the 16-Port Switch 7

- ▼ To Install the Rails 8
- ▼ To Install the Switch 9



# Sun StorEdge FC 8-Port and 16-Port Switch Rackmounting Guide

---

Sun StorEdge 2 Gb FC Switch-8 units are installed in pairs, side by side on a tray.

Sun StorEdge 2 Gb FC Switch-16 units are installed as separate units.

- “Rackmounting the 8-Port Switch” on page 1
- “Rackmounting the 16-Port Switch” on page 7

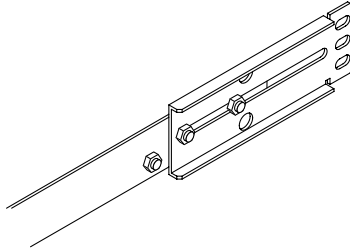
---

## Rackmounting the 8-Port Switch

The Sun StorEdge 2 Gb FC 8-Port Switch requires that the rails be mounted into the cabinet before installing the tray and the switches. Two switches are installed in the tray side by side.

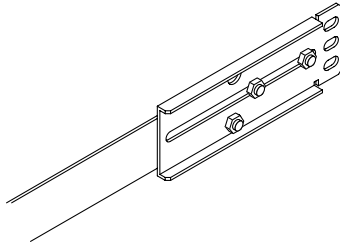
### ▼ To Prepare the Rails

1. **Install the stopper screws in both mounting rails. See FIGURE 3.**  
Each rail has two components.
2. **Attach the two components of the rail with the two screws facing the inner portion of the rail and mount the kepnuts to the press studs on the inner rail.**  
See FIGURE 3.
3. **Adjust the rail length.**
  - a. **For the Sun StorEdge Expansion Cabinet, lengthen the rail as much as possible.**  
See FIGURE 1.



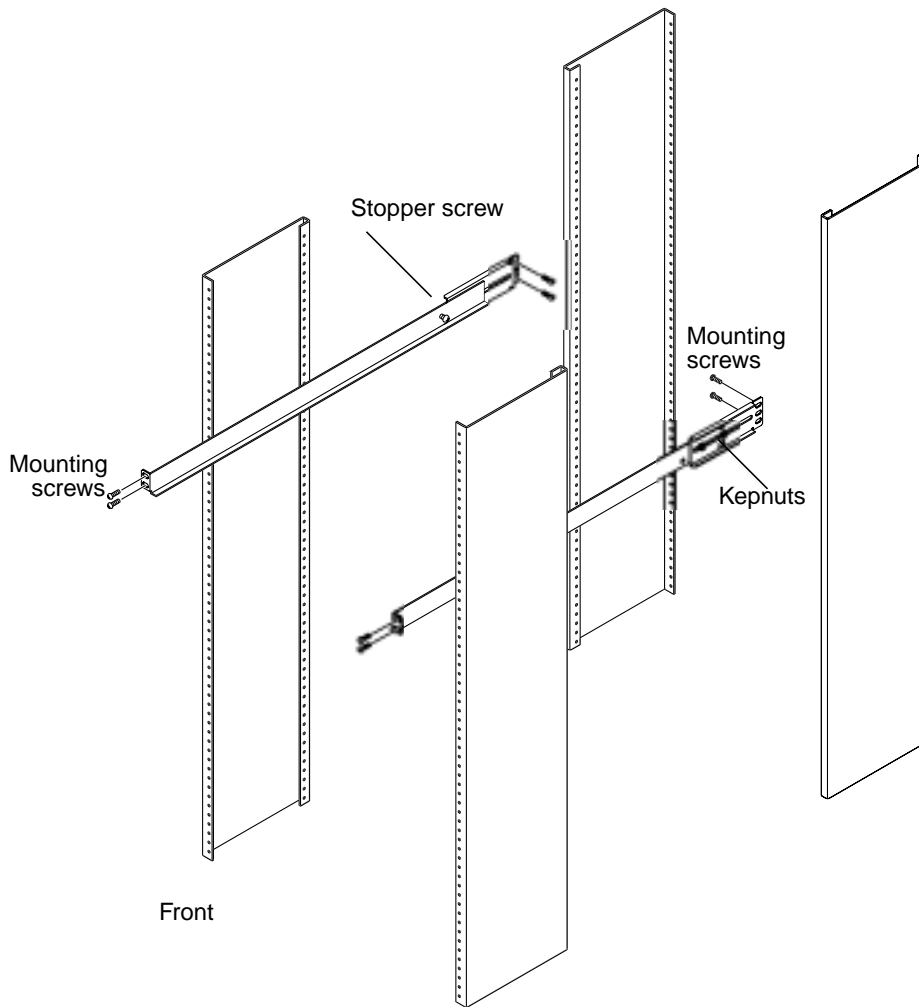
**FIGURE 1** Sun StorEdge Expansion Cabinet Rail Adjustment

**b. For the Sun Starfire cabinet, shorten the rail as much as possible. See FIGURE 2.**



**FIGURE 2** Sun Starfire Cabinet Rail Adjustment



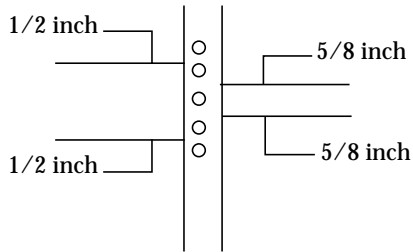


**FIGURE 3** Attaching the Rails to the Cabinet

## ▼ To Attach the Rails to the Cabinet

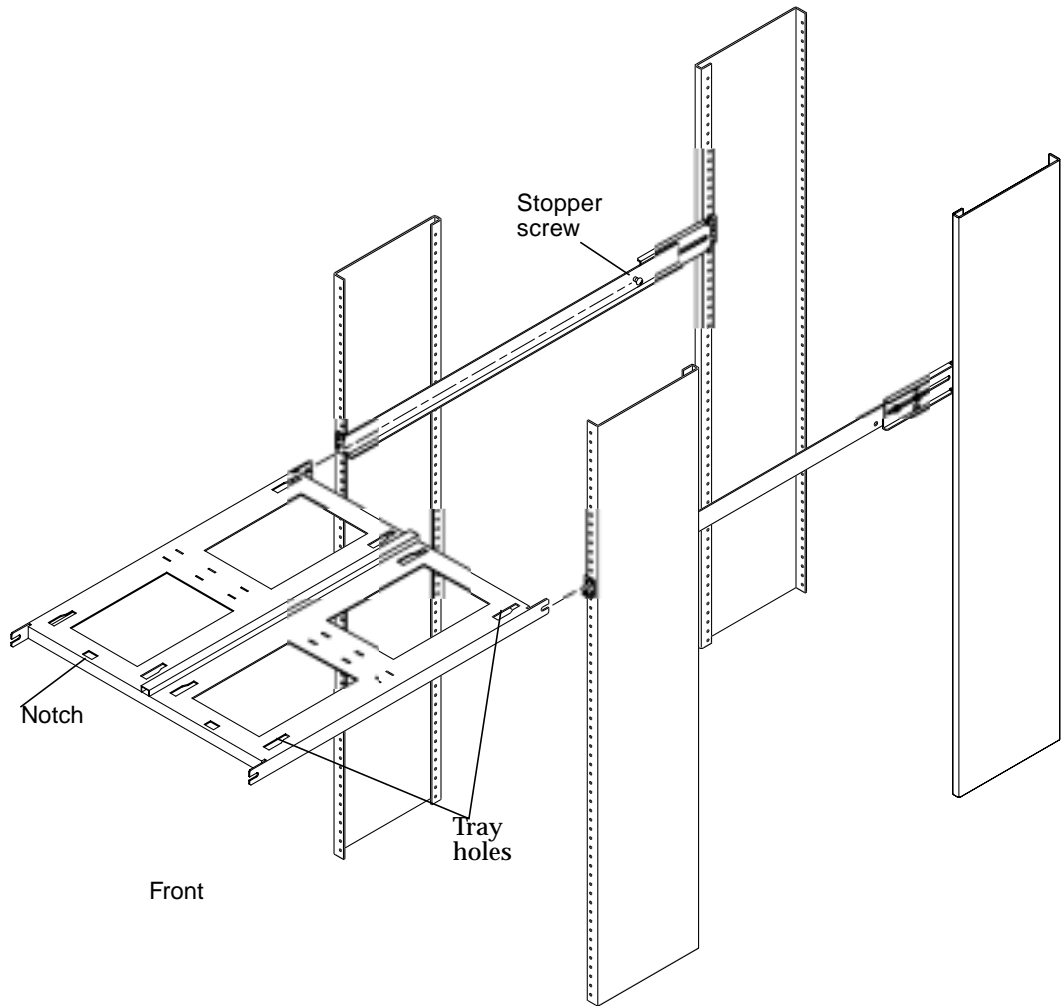
### 1. Attach the rails to the cabinet.

Use the holes that are 1/2 inch apart. See FIGURE 4.



**FIGURE 4** Cabinet Hole Spacing

- 2. Push each mounting rail to the front of the cabinet and attach it with two mounting screws.**
- 3. At the front of the cabinet, insert the mounting screws.**  
Do not tighten them.
- 4. At the rear of the cabinet, position the rails at the level and insert the screws.**  
Tighten them and the front screws.



**FIGURE 5** Mounting the Tray into the Cabinet

## ▼ To Install the Tray onto the Rails

- 1. Position the tray so that the notch faces the front of the cabinet.**
- 2. Tighten the stopper screws.**
- 3. Tighten the two screws on each side at the front of the cabinet.**

## ▼ To Install the Switch and the Vent Panel

1. **Slide the switch onto the tray until the four plastic feet drop into the tray holes.**

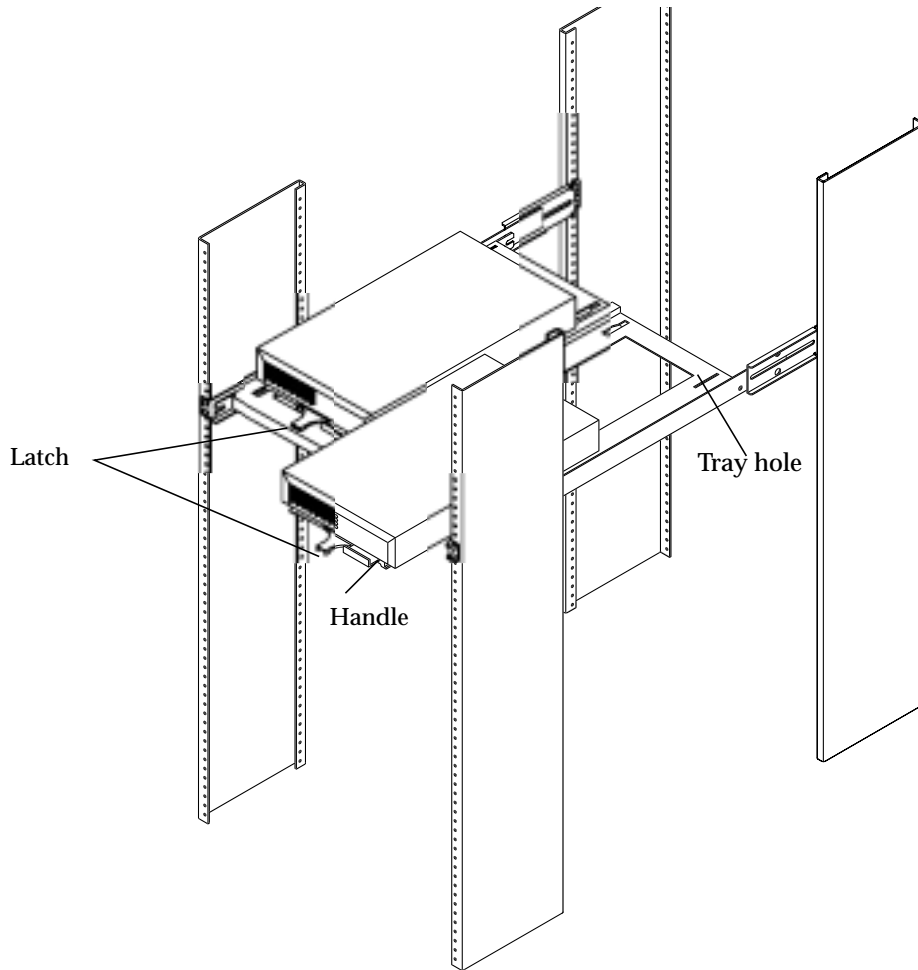
See FIGURE 5 and FIGURE 6.

2. **Slide the switch back until the latch snaps into the notch on the tray.**

If you must remove the switch, lift the latch and use the handle at the front of the switch to lift up. See FIGURE 6.

3. **Install the second switch beside the first.**

4. **Connect the cables.**



**FIGURE 6** Installing the Switches

- 5. Install the 2U vent panel at the front of the cabinet.**  
Tighten the two screws at each side.

---

## Rackmounting the 16-Port Switch

Each Sun StorEdge FC 16-Port Switch comes with slide rails preinstalled. The switch is 1U in height.

## ▼ To Install the Rails

1. Install the stopper screws loosely in both rails.

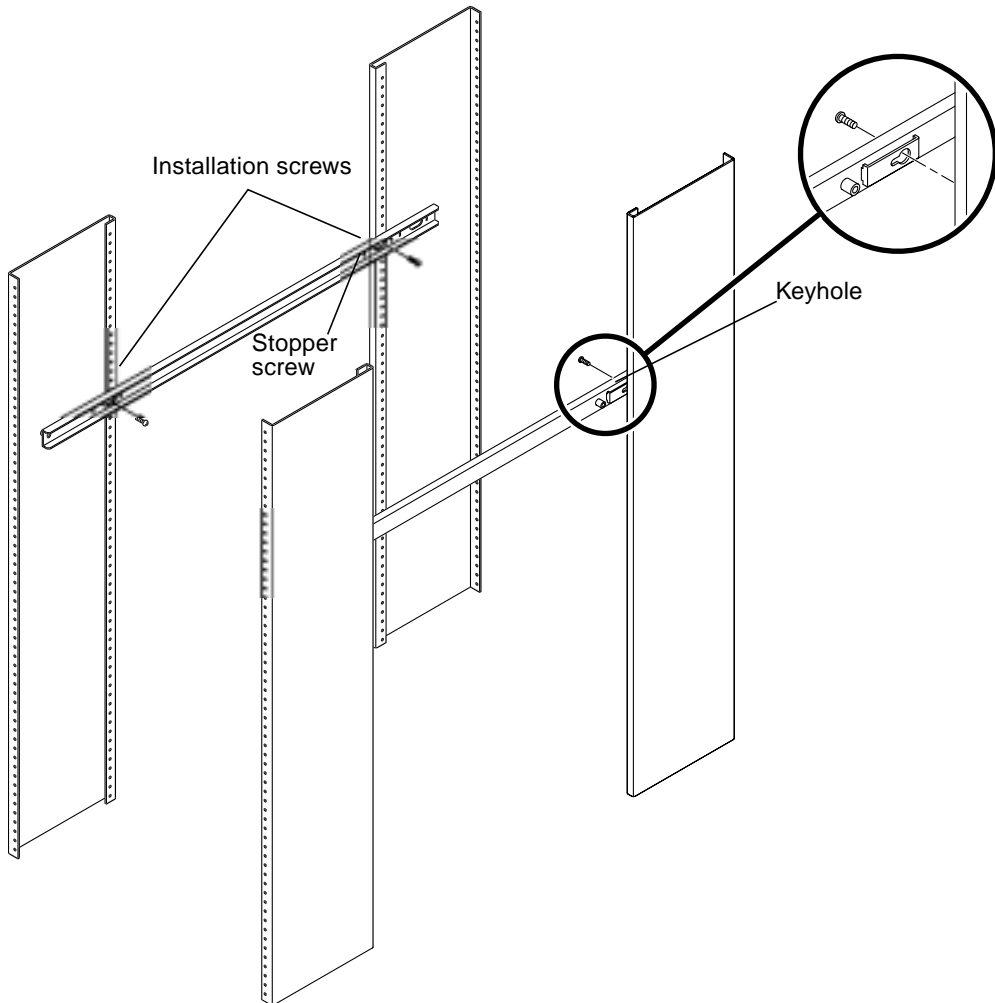
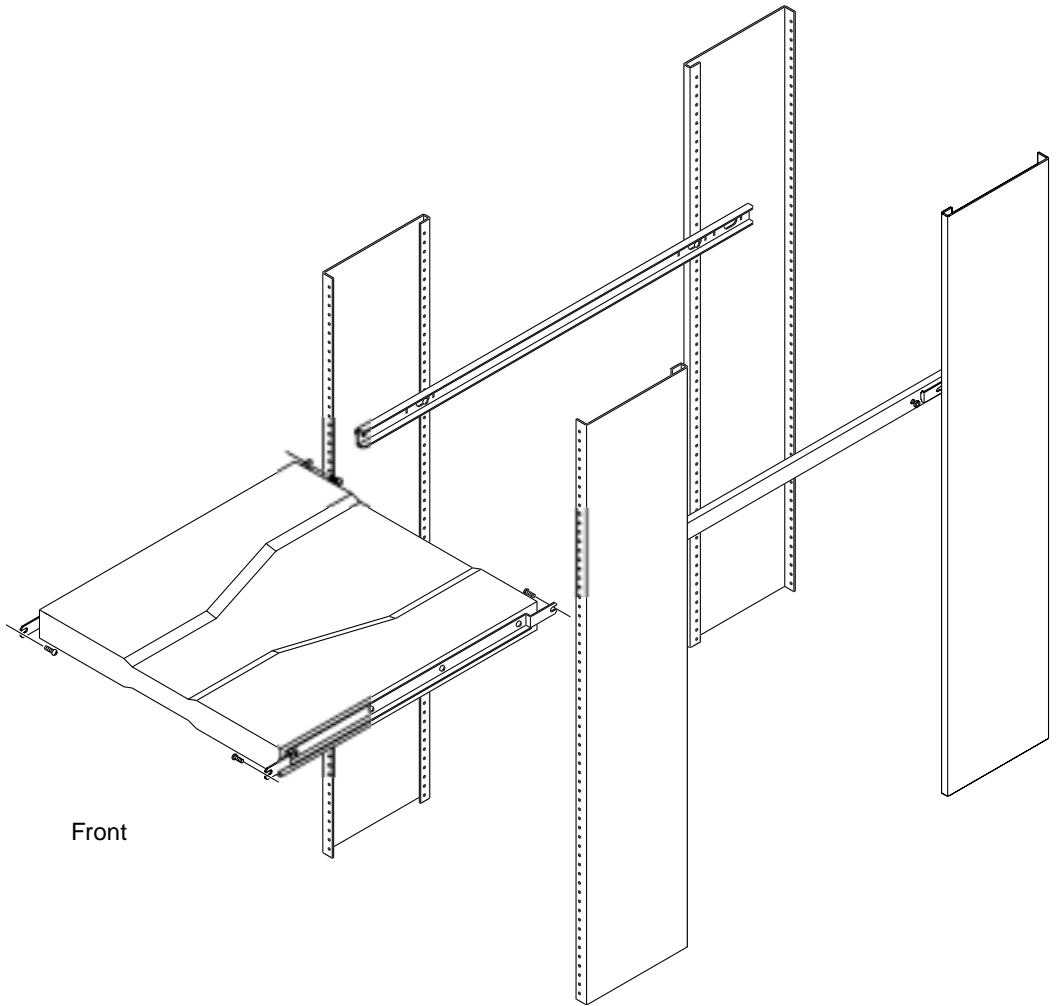


FIGURE 7 Installing the Rails for the 16-Port Switch

2. Preinstall the installation screws in the cabinet at each end of the rails.  
Use the middle hole on the cabinet. See FIGURE 4.

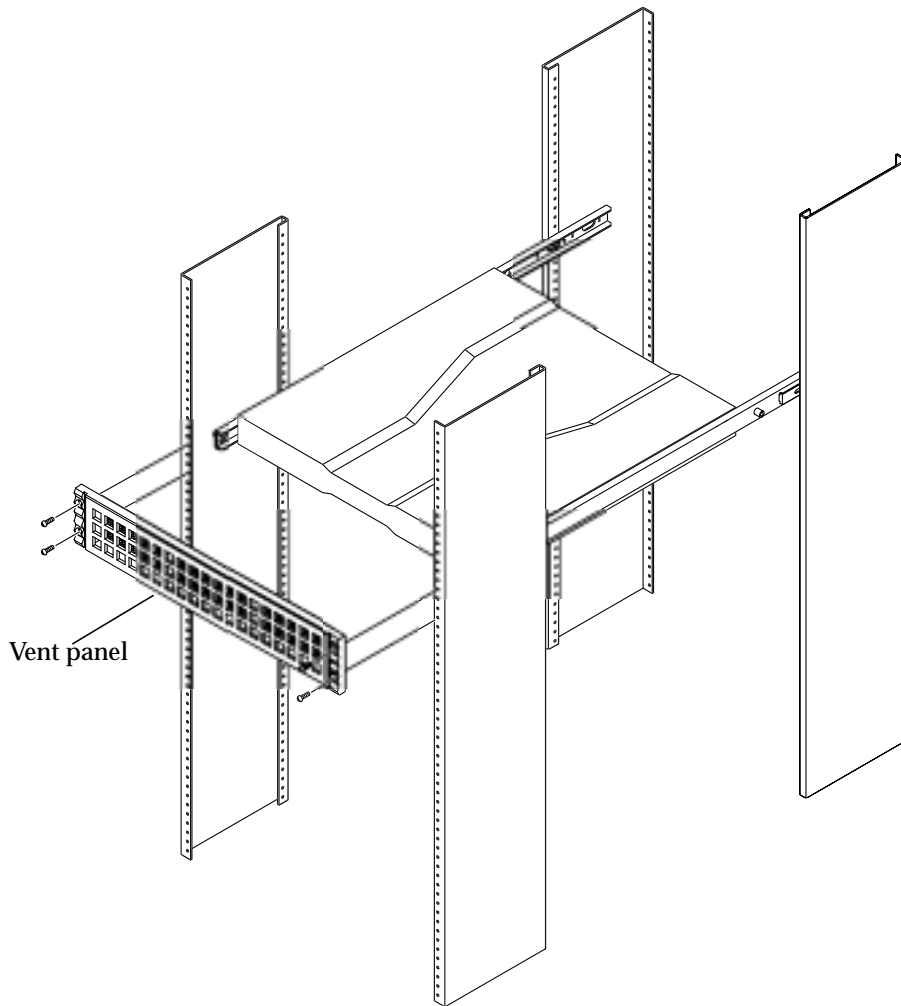
## ▼ To Install the Switch

- 1. Slip the rails onto the preinstalled screws in the cabinets.**  
Use the keyholes on the side rails.
- 2. Tighten the screws.**
- 3. Slide the switch between the rails.**



**FIGURE 8** Installing the 16-Port Switch

4. Tighten the front screws.
5. Tighten the back stopper screws.



**FIGURE 9** Installing the Vent Panel

6. Position the 2U vent panel at the front of the cabinet.
7. Secure it using two screws at each side.
8. Connect the cables.





# Sun StorEdge FC Switch-8 and Switch-16 Rackmounting Guide

---

Sun Microsystems, Inc.  
4150 Network Circle  
Santa Clara, CA 95054 U.S.A.  
650-960-1300

Part No. 817-0070-10  
October 2002, Revision 01

Send comments about this document to: [docfeedback@sun.com](mailto:docfeedback@sun.com)

Copyright 2002 Sun Microsystems, Inc., 4150 Network Circle, Santa Clara, California 95054, U.S.A. All rights reserved.

Sun Microsystems, Inc. has intellectual property rights relating to technology embodied in the product that is described in this document. In particular, and without limitation, these intellectual property rights may include one or more of the U.S. patents listed at <http://www.sun.com/patents> and one or more additional patents or pending patent applications in the U.S. and in other countries.

This document and the product to which it pertains are distributed under licenses restricting their use, copying, distribution, and decompilation. No part of the product or of this document may be reproduced in any form by any means without prior written authorization of Sun and its licensors, if any.

Third-party software, including font technology, is copyrighted and licensed from Sun suppliers.

Parts of the product may be derived from Berkeley BSD systems, licensed from the University of California. UNIX is a registered trademark in the U.S. and in other countries, exclusively licensed through X/Open Company, Ltd.

Sun, Sun Microsystems, the Sun logo, AnswerBook2, docs.sun.com, and Solaris **[AND ATTRIBUTION OF ALL OTHER SUN TRADEMARKS MENTIONED SIGNIFICANTLY THROUGHOUT PRODUCT OR DOCUMENTATION. REMOVE THIS TEXT!]** are trademarks or registered trademarks of Sun Microsystems, Inc. in the U.S. and in other countries.

All SPARC trademarks are used under license and are trademarks or registered trademarks of SPARC International, Inc. in the U.S. and in other countries. Products bearing SPARC trademarks are based upon an architecture developed by Sun Microsystems, Inc. **[THIRD-PARTY TRADEMARKS THAT REQUIRE ATTRIBUTION APPEAR IN 'TMARK.' IF YOU BELIEVE A THIRD-PARTY MARK NOT APPEARING IN 'TMARK' SHOULD BE ATTRIBUTED, CONSULT YOUR EDITOR OR THE SUN TRADEMARK GROUP FOR GUIDANCE.]**

The OPEN LOOK and Sun™ Graphical User Interface was developed by Sun Microsystems, Inc. for its users and licensees. Sun acknowledges the pioneering efforts of Xerox in researching and developing the concept of visual or graphical user interfaces for the computer industry. Sun holds a non-exclusive license from Xerox to the Xerox Graphical User Interface, which license also covers Sun's licensees who implement OPEN LOOK GUIs and otherwise comply with Sun's written license agreements.

**[IF ENERGY STAR INFORMATION IS REQUIRED FOR YOUR PRODUCT, COPY THE ENERGY STAR GRAPHIC FROM THE REFERENCE PAGE AND PASTE IT HERE, USING THE "GraphicAnchor" PARAGRAPH TAG. ALSO, COPY THE ENERGY STAR LOGO TRADEMARK ATTRIBUTION FROM THE REFERENCE PAGE AND PASTE IT ABOVE WHERE THIRD-PARTY TRADEMARKS ARE ATTRIBUTED. (ENGLISH COPYRIGHT ONLY). DELETE THIS TEXT.]**

Use, duplication, or disclosure by the U.S. Government is subject to restrictions set forth in the Sun Microsystems, Inc. license agreements and as provided in DFARS 227.7202-1(a) and 227.7202-3(a) (1995), DFARS 252.227-7013(c)(1)(ii) (Oct. 1998), FAR 12.212(a) (1995), FAR 52.227-19, or FAR 52.227-14 (ALT III), as applicable.

DOCUMENTATION IS PROVIDED "AS IS" AND ALL EXPRESS OR IMPLIED CONDITIONS, REPRESENTATIONS AND WARRANTIES, INCLUDING ANY IMPLIED WARRANTY OF MERCHANTABILITY, FITNESS FOR A PARTICULAR PURPOSE OR NON-INFRINGEMENT, ARE DISCLAIMED, EXCEPT TO THE EXTENT THAT SUCH DISCLAIMERS ARE HELD TO BE LEGALLY INVALID.

---

Copyright 2002 Sun Microsystems, Inc., 4150 Network Circle, Santa Clara, California 95054, Etats-Unis. Tous droits réservés.

Sun Microsystems, Inc. a les droits de propriété intellectuels relatants à la technologie incorporée dans le produit qui est décrit dans ce document. En particulier, et sans la limitation, ces droits de propriété intellectuels peuvent inclure un ou plus des brevets américains énumérés à <http://www.sun.com/patents> et un ou les brevets plus supplémentaires ou les applications de brevet en attente dans les Etats-Unis et dans les autres pays.

Ce produit ou document est protégé par un copyright et distribué avec des licences qui en restreignent l'utilisation, la copie, la distribution, et la décompilation. Aucune partie de ce produit ou document ne peut être reproduite sous aucune forme, par quelque moyen que ce soit, sans l'autorisation préalable et écrite de Sun et de ses bailleurs de licence, s'il y en a.

Le logiciel détenu par des tiers, et qui comprend la technologie relative aux polices de caractères, est protégé par un copyright et licencié par des fournisseurs de Sun.

Des parties de ce produit pourront être dérivées des systèmes Berkeley BSD licenciés par l'Université de Californie. UNIX est une marque déposée aux Etats-Unis et dans d'autres pays et licenciée exclusivement par X/Open Company, Ltd.

Sun, Sun Microsystems, le logo Sun, AnswerBook2, docs.sun.com, et Solaris **[AND ATTRIBUTION OF ALL OTHER SUN TRADEMARKS MENTIONED SIGNIFICANTLY THROUGHOUT PRODUCT OR DOCUMENTATION. REMOVE THIS TEXT!]** sont des marques de fabrique ou des marques déposées de Sun Microsystems, Inc. aux Etats-Unis et dans d'autres pays.

Toutes les marques SPARC sont utilisées sous licence et sont des marques de fabrique ou des marques déposées de SPARC International, Inc. aux Etats-Unis et dans d'autres pays. Les produits portant les marques SPARC sont basés sur une architecture développée par Sun Microsystems, Inc. **[THIRD-PARTY TRADEMARKS THAT REQUIRE ATTRIBUTION APPEAR IN 'TMARK.' IF YOU BELIEVE A THIRD-PARTY MARK NOT APPEARING IN 'TMARK' SHOULD BE ATTRIBUTED, CONSULT YOUR EDITOR OR THE SUN TRADEMARK GROUP FOR GUIDANCE.]**

L'interface d'utilisation graphique OPEN LOOK et Sun™ a été développée par Sun Microsystems, Inc. pour ses utilisateurs et licenciés. Sun reconnaît les efforts de pionniers de Xerox pour la recherche et le développement du concept des interfaces d'utilisation visuelle ou graphique pour l'industrie de l'informatique. Sun détient une licence non exclusive de Xerox sur l'interface d'utilisation graphique Xerox, cette licence couvrant également les licenciées de Sun qui mettent en place l'interface d'utilisation graphique OPEN LOOK et qui en outre se conforment aux licences écrites de Sun.



LA DOCUMENTATION EST FOURNIE "EN L'ÉTAT" ET TOUTES AUTRES CONDITIONS, DECLARATIONS ET GARANTIES EXPRESSES OU TACITES SONT FORMELLEMENT EXCLUES, DANS LA MESURE AUTORISEE PAR LA LOI APPLICABLE, Y COMPRIS NOTAMMENT TOUTE GARANTIE IMPLICITE RELATIVE A LA QUALITE MARCHANDE, A L'APTITUDE A UNE UTILISATION PARTICULIERE OU A L'ABSENCE DE CONTREFAÇON.



# Contents

---

## **1. Sun StorEdge FC 8-Port and 16-Port Switch Rackmounting Guide 1**

### Rackmounting the 8-Port Switch 1

- ▼ To Prepare the Rails 1
- ▼ To Attach the Rails to the Cabinet 3
- ▼ To Install the Tray onto the Rails 5
- ▼ To Install the Switch and the Vent Panel 6

### Rackmounting the 16-Port Switch 7

- ▼ To Install the Rails 8
- ▼ To Install the Switch 9



# Sun StorEdge FC 8-Port and 16-Port Switch Rackmounting Guide

---

Sun StorEdge 2 Gb FC Switch-8 units are installed in pairs, side by side on a tray.

Sun StorEdge 2 Gb FC Switch-16 units are installed as separate units.

- “Rackmounting the 8-Port Switch” on page 1
- “Rackmounting the 16-Port Switch” on page 7

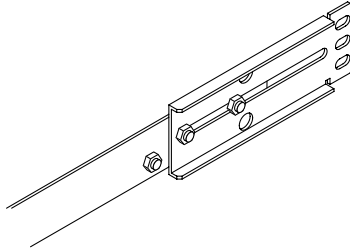
---

## Rackmounting the 8-Port Switch

The Sun StorEdge 2 Gb FC 8-Port Switch requires that the rails be mounted into the cabinet before installing the tray and the switches. Two switches are installed in the tray side by side.

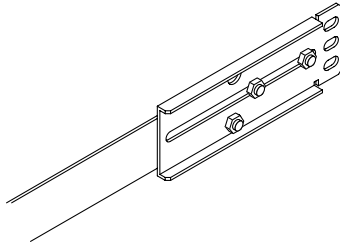
### ▼ To Prepare the Rails

1. **Install the stopper screws in both mounting rails. See FIGURE 3.**  
Each rail has two components.
2. **Attach the two components of the rail with the two screws facing the inner portion of the rail and mount the kepnuts to the press studs on the inner rail.**  
See FIGURE 3.
3. **Adjust the rail length.**
  - a. **For the Sun StorEdge Expansion Cabinet, lengthen the rail as much as possible. See FIGURE 1.**



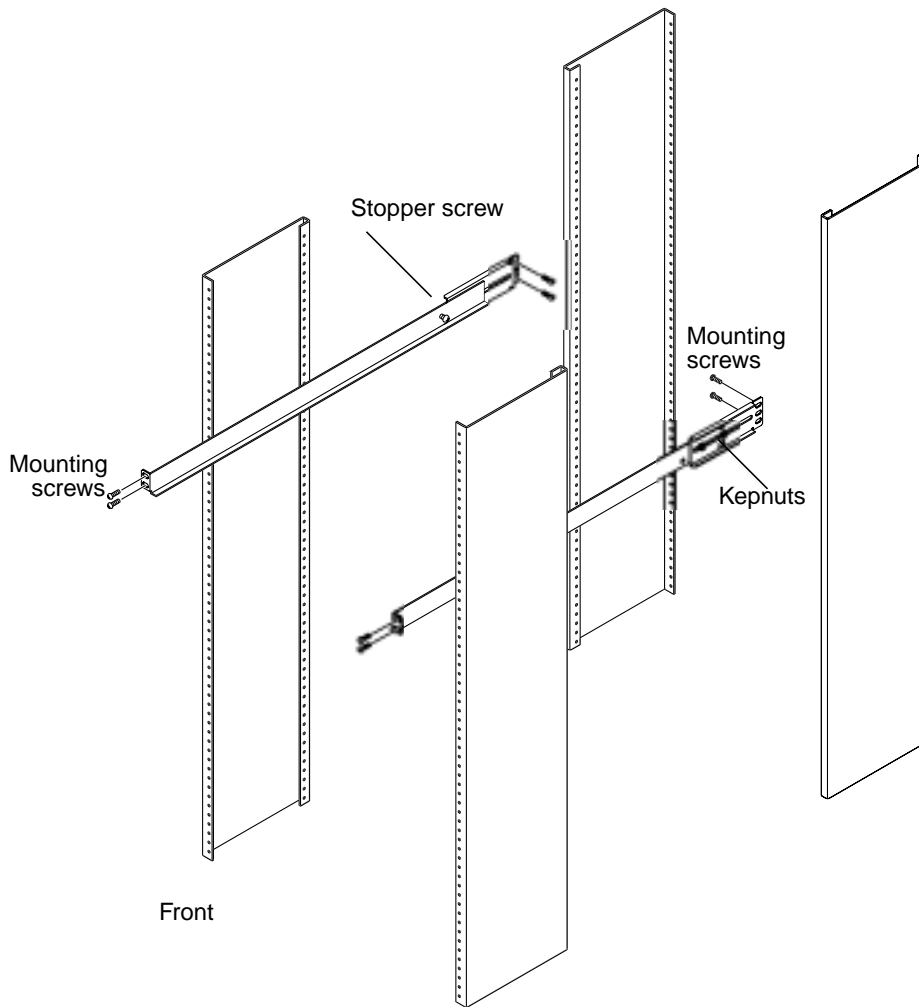
**FIGURE 1** Sun StorEdge Expansion Cabinet Rail Adjustment

**b. For the Sun Starfire cabinet, shorten the rail as much as possible. See FIGURE 2.**



**FIGURE 2** Sun Starfire Cabinet Rail Adjustment



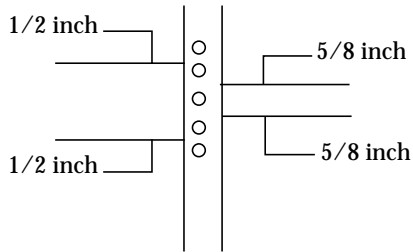


**FIGURE 3** Attaching the Rails to the Cabinet

## ▼ To Attach the Rails to the Cabinet

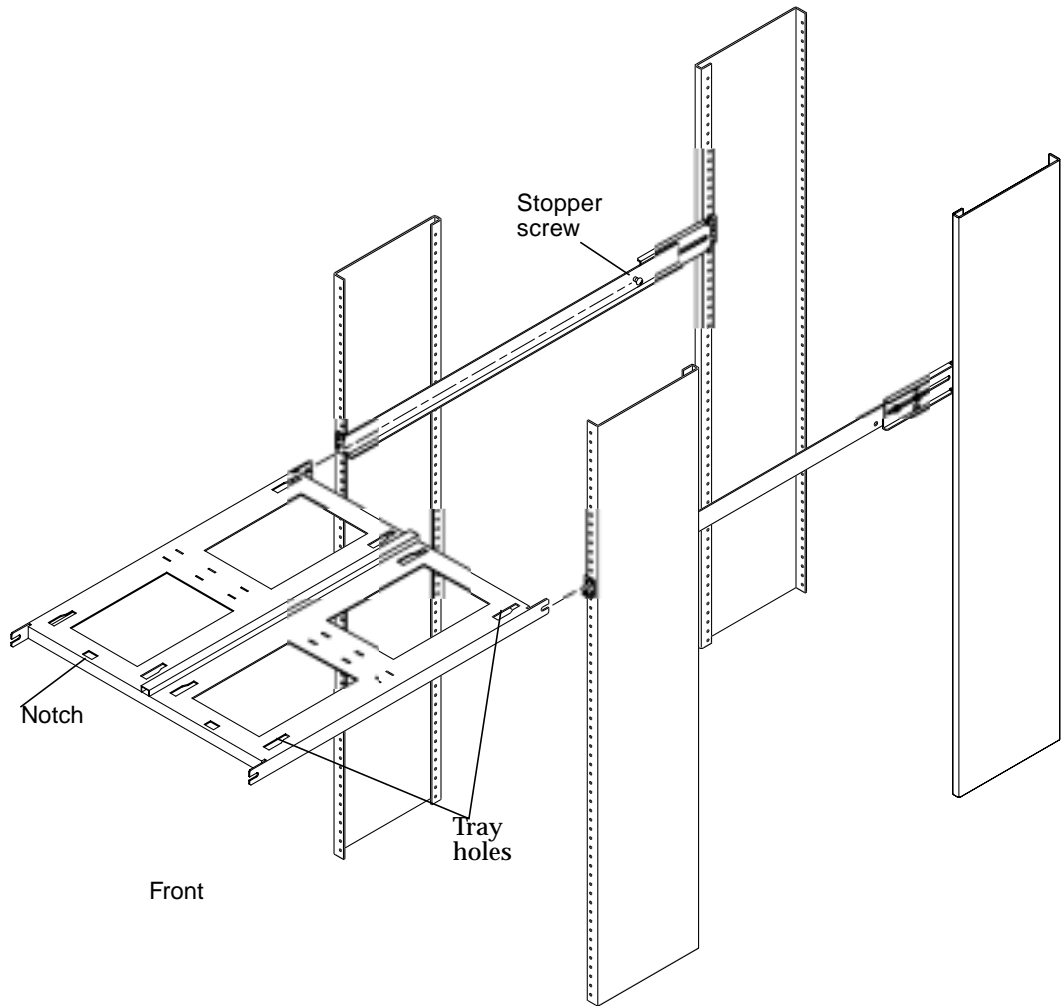
### 1. Attach the rails to the cabinet.

Use the holes that are 1/2 inch apart. See FIGURE 4.



**FIGURE 4** Cabinet Hole Spacing

- 2. Push each mounting rail to the front of the cabinet and attach it with two mounting screws.**
- 3. At the front of the cabinet, insert the mounting screws.**  
Do not tighten them.
- 4. At the rear of the cabinet, position the rails at the level and insert the screws.**  
Tighten them and the front screws.



**FIGURE 5** Mounting the Tray into the Cabinet

## ▼ To Install the Tray onto the Rails

- 1. Position the tray so that the notch faces the front of the cabinet.**
- 2. Tighten the stopper screws.**
- 3. Tighten the two screws on each side at the front of the cabinet.**

## ▼ To Install the Switch and the Vent Panel

1. **Slide the switch onto the tray until the four plastic feet drop into the tray holes.**

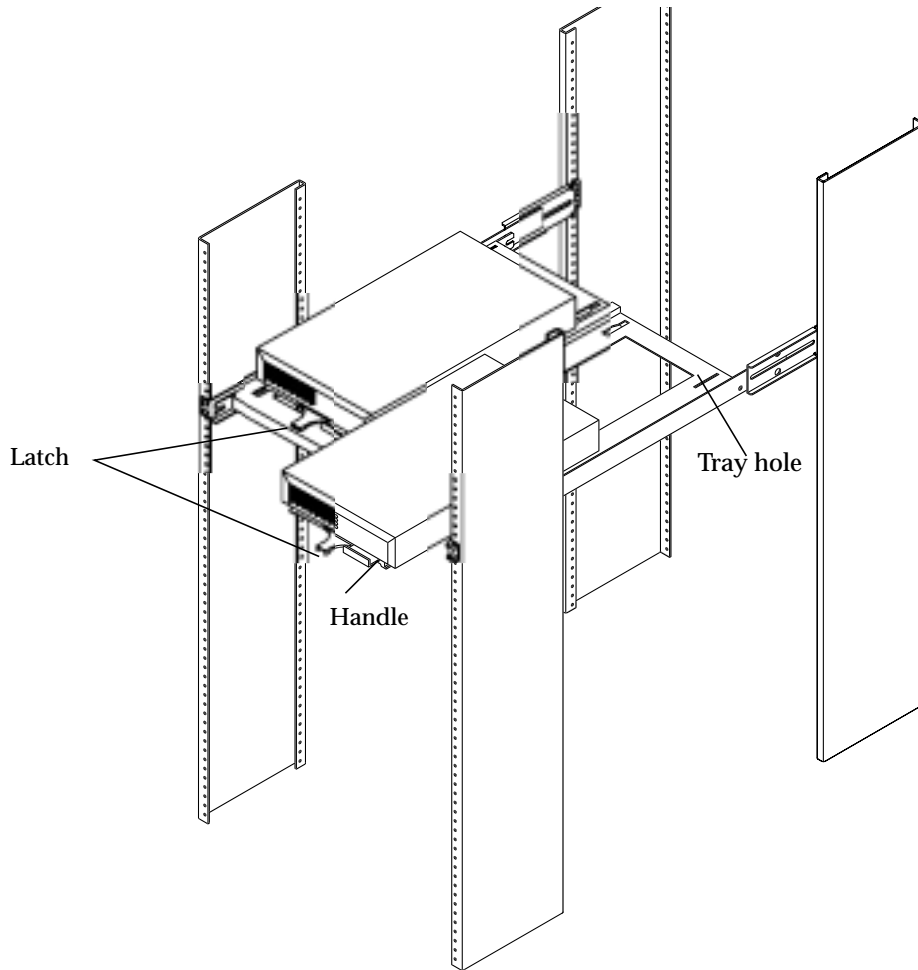
See FIGURE 5 and FIGURE 6.

2. **Slide the switch back until the latch snaps into the notch on the tray.**

If you must remove the switch, lift the latch and use the handle at the front of the switch to lift up. See FIGURE 6.

3. **Install the second switch beside the first.**

4. **Connect the cables.**



**FIGURE 6** Installing the Switches

- 5. Install the 2U vent panel at the front of the cabinet.**  
Tighten the two screws at each side.

---

## Rackmounting the 16-Port Switch

Each Sun StorEdge FC 16-Port Switch comes with slide rails preinstalled. The switch is 1U in height.

## ▼ To Install the Rails

1. Install the stopper screws loosely in both rails.

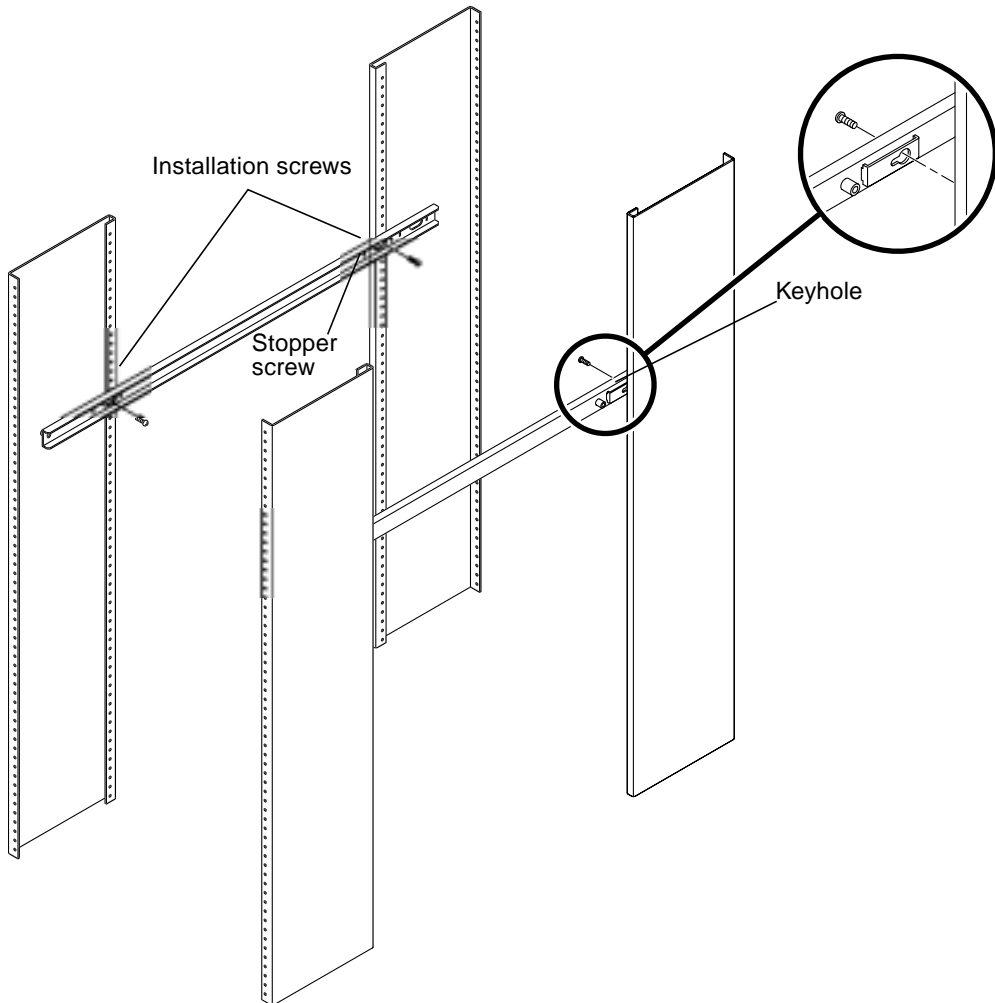
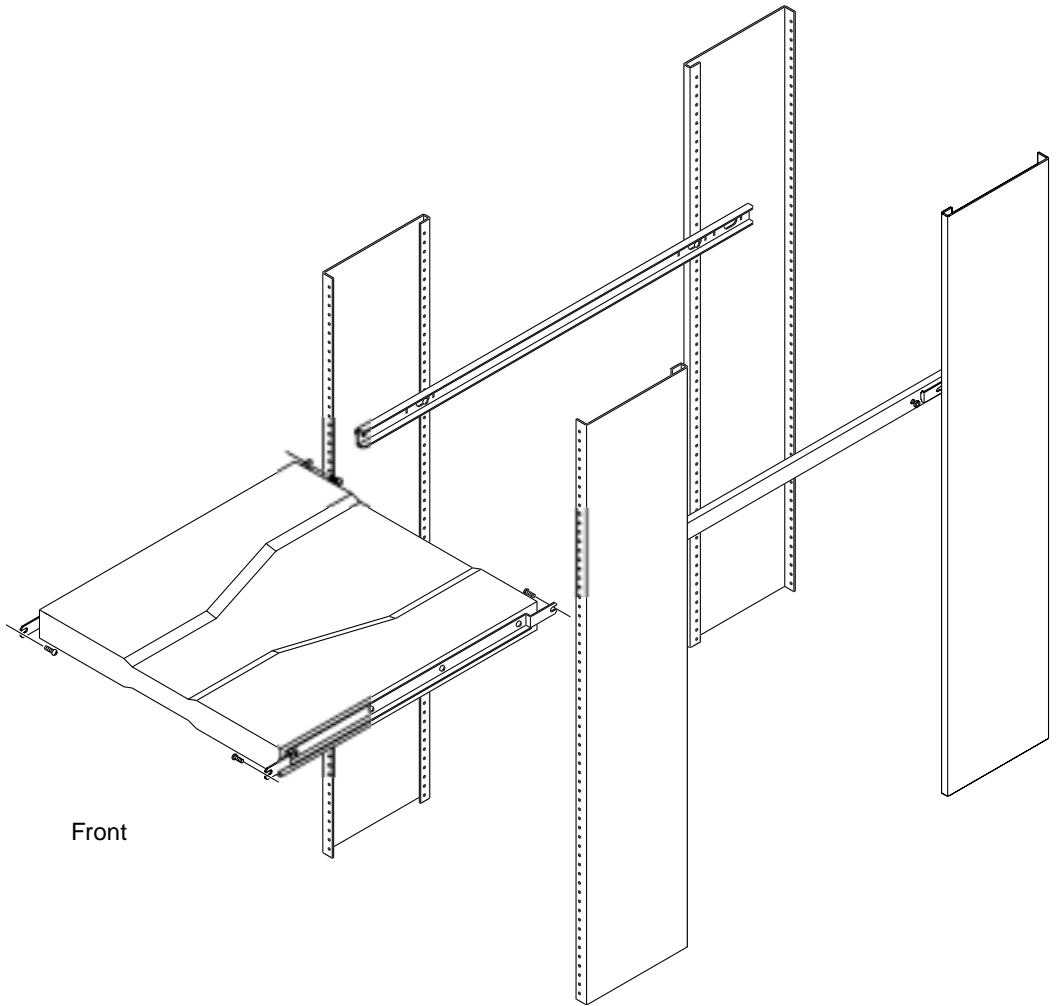


FIGURE 7 Installing the Rails for the 16-Port Switch

2. Preinstall the installation screws in the cabinet at each end of the rails.  
Use the middle hole on the cabinet. See FIGURE 4.

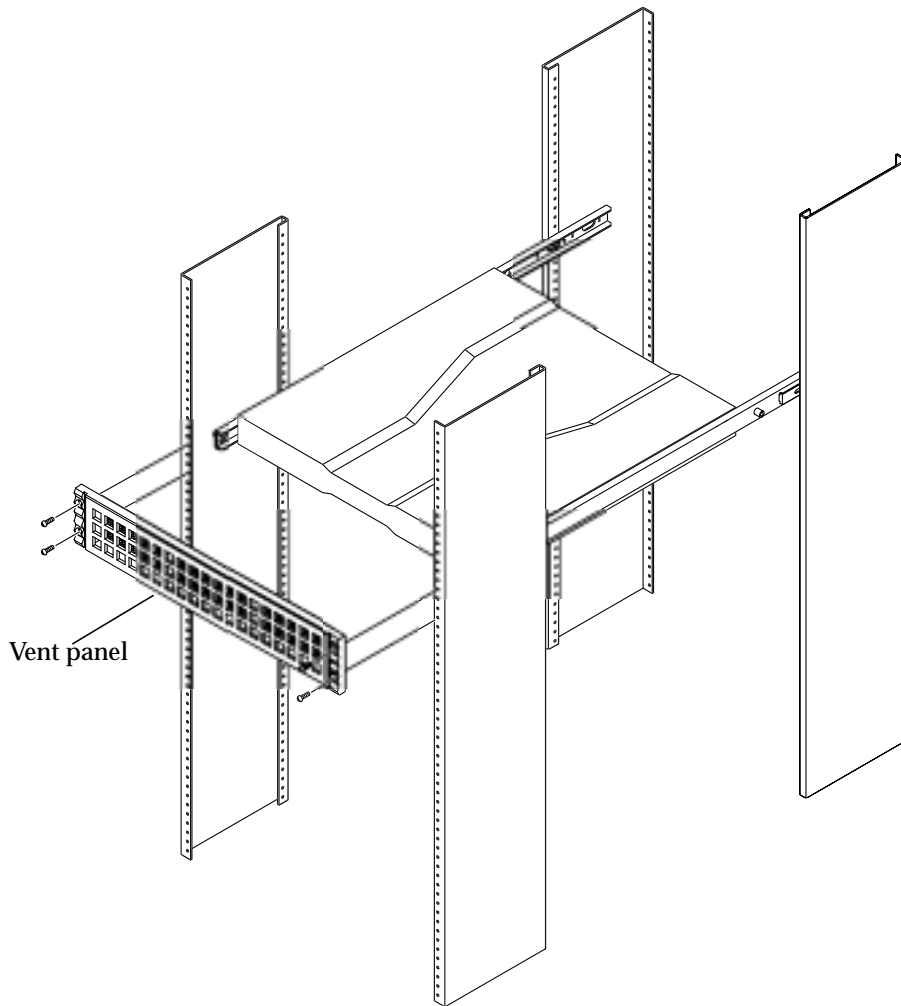
## ▼ To Install the Switch

- 1. Slip the rails onto the preinstalled screws in the cabinets.**  
Use the keyholes on the side rails.
- 2. Tighten the screws.**
- 3. Slide the switch between the rails.**



**FIGURE 8** Installing the 16-Port Switch

4. Tighten the front screws.
5. Tighten the back stopper screws.



**FIGURE 9** Installing the Vent Panel

6. Position the 2U vent panel at the front of the cabinet.
7. Secure it using two screws at each side.
8. Connect the cables.