



Sun StorEdge™ T3+ Array Start Here

Installation Overview and Documentation Guide

1 Are you ready to install the hardware?

Read the Release Notes.

Review the array release notes before beginning the installation. The *Sun StorEdge T3+ Array Release Notes* are available in PDF format on the SunSolveSM web site and the SunTM hardware documentation web site. These documents contain the latest product information such as required patches, installation updates, and product changes.

Make sure the installation site is ready.

Review the following documents to prepare for the array installation.

Title	Description
<i>Sun StorEdge T3 and T3+ Array Site Preparation Guide</i>	Provides basic site requirements for installing the array.
<i>Sun StorEdge T3+ Array Installation and Configuration Manual</i>	Provides information on product installation as well as supported configurations, including hardware and software requirements.
<i>Sun StorEdge T3 and T3+ Array Regulatory and Safety Compliance</i>	Provides safety and compliance information for the array.

Prepare the host system.

Install the host bus adapter(s) (HBA) and required patches on the host system.

- For instructions on installing the HBA, refer to the HBA documentation.

- For information about required patches, refer to the release notes for your array model.

2 Install the Sun StorEdge T3 or T3+ array.

If you are already familiar with the Sun StorEdge T3+ array, use the following diagrams to connect the cables. If you do not have experience installing the array, refer to the *Sun StorEdge T3+ Array Installation and Configuration Manual*. The installation requires several steps that are not included here. Connecting the cables without following these steps will result in an unsuccessful installation.

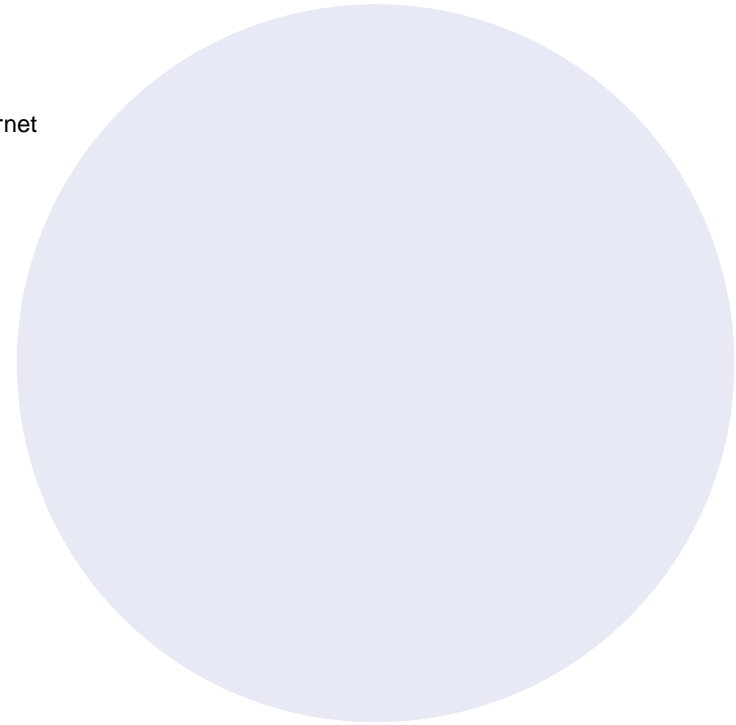
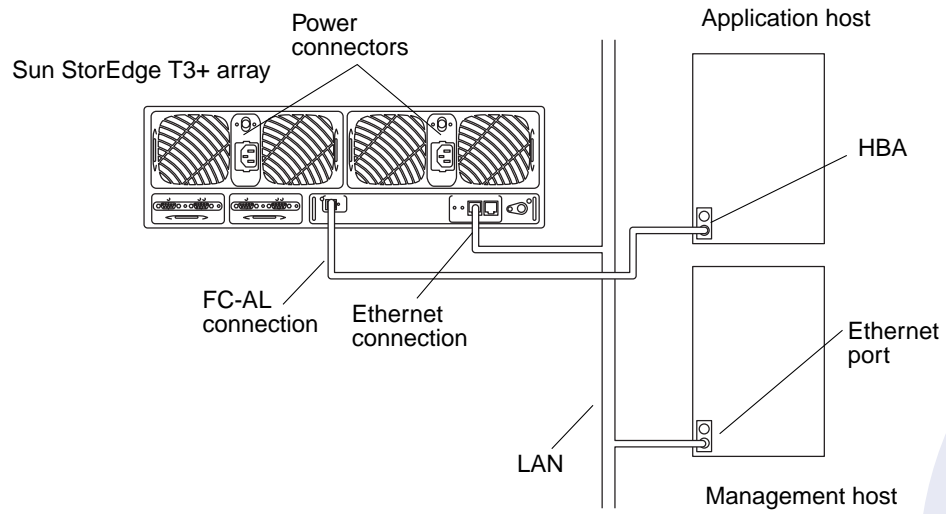
Note: These diagrams show cable connections to the Sun StorEdge T3+ array controller card, in which the fiber-optic cable connects directly to the card. If you are connecting a Sun StorEdge T3+ array with version 1.0 controller card, you must use a media-interface adapter (MIA) to connect the fiber-optic cable to the controller card. This is described in the *Sun StorEdge T3+ Array Installation and Configuration Manual*.



Caution: Read all safety and compliance information in the *Sun StorEdge T3 and T3+ Array Regulatory and Safety Compliance Manual* that is shipped with the array before beginning the installation.

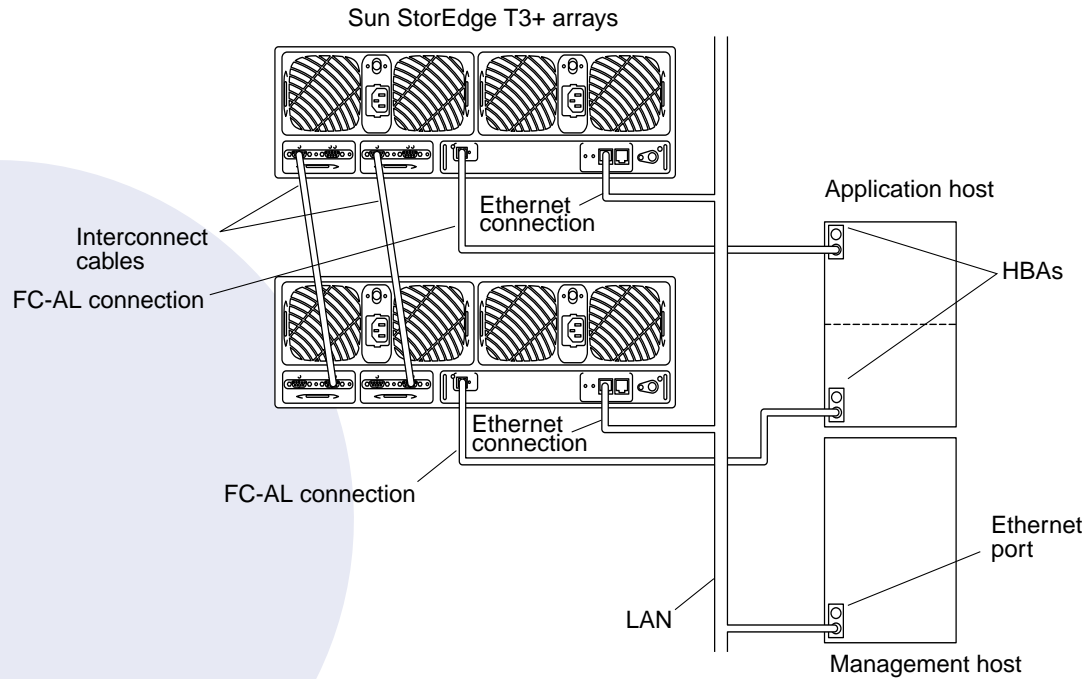
If you are installing a single array (workgroup configuration):

Connect the cables from the array to the hosts as shown in the diagram.



If you are installing a partner group (enterprise configuration):

Connect the arrays to each other and to the hosts as shown in the diagram.



3 Access the Array Documentation

All Sun StorEdge T3 and T3+ array documents and select documentation for products related to the array, such as third-party software products like VERITAS Volume Manager, are available in PDF format on the Sun documentation web site:

http://www.sun.com/products-n-solutions/hardware/docs/Network_Storage_Solutions

Make sure you have the following documents available for reference during the installation.

Application	Title	Part Number
Latest array updates	<i>Sun StorEdge T3+ Array Release Notes</i>	816-4771
Safety procedures	<i>Sun StorEdge T3 and T3+ Array Regulatory and Safety Compliance Manual</i>	816-0774
Site preparation	<i>Sun StorEdge T3 and T3+ Array Site Preparation Guide</i>	816-0778
Installation and Configuration	<i>Sun StorEdge T3+ Array Installation and Configuration Manual</i>	816-4769
Administration	<i>Sun StorEdge T3+ Array Administrator's Guide</i>	816-4770
Cabinet installation	<i>Sun StorEdge T3 Array Cabinet Installation Guide</i>	806-7979

Note: If you need service assistance, contact your SunService™ representative.

Copyright 2001 Sun Microsystems, Inc. All rights reserved. Use is subject to license terms. Third-party software, including font technology, is copyrighted and licensed from Sun suppliers. Sun, Sun Microsystems, the Sun logo, Sun StorEdge, SunService, SunSolve, and Solaris are trademarks of Sun Microsystems, Inc. in the U.S. and other countries. Federal Acquisitions: Commercial Software—Government Users Subject to Standard License Terms and Conditions.

Copyright 2001 Sun Microsystems, Inc. Tous droits réservés. Distribué par des licences qui en restreignent l'utilisation. Le logiciel détenu par des tiers, et qui comprend la technologie relative aux polices de caractères, est protégé par un copyright et licencié par des fournisseurs de Sun. Sun, Sun Microsystems, le logo Sun, Sun StorEdge, SunService, SunSolve, et Solaris sont des marques de fabrique de Sun Microsystems, Inc. aux Etats-Unis et dans d'autres pays.



Sun Microsystems, Inc.
901 San Antonio Road
Palo Alto, CA 94303
U.S.A. 650-960-1300

Part No. 816-4768-10
Revision A, October 2001