



Sun Blade™ 1000 and SunBlade 2000 Service Manual

Sun Microsystems, Inc.
4150 Network Circle
Santa Clara, CA 95054 U.S.A.
650-960-1300

Part No. 816-3217-10
January 2002, Revision A

Send comments about this document to: docfeedback@sun.com

Copyright 2002 Sun Microsystems, Inc., 901 San Antonio Road, Palo Alto CA 94303-4900 U.S.A. All rights reserved.

This product or document is distributed under licenses restricting its use, copying, distribution, and decompilation. No part of this product or document may be reproduced in any form by any means without prior written authorization of Sun and its licensors, if any. Third-party software, including font technology, is copyrighted and licensed from Sun suppliers.

Parts of the product may be derived from Berkeley BSD systems, licensed from the University of California. UNIX is a registered trademark in the U.S. and other countries, exclusively licensed through X/Open Company, Ltd.

Sun, Sun Microsystems, the Sun logo, docs.sun.com, OpenBoot, ShowMe How, Ultra, AnswerBook2, AnswerBook, SunATM, Sun Blade, Solaris, SunVTS, PGX32, Sun StorEdge, and Power Management are trademarks, registered trademarks, or service marks of Sun Microsystems, Inc. in the U.S. and other countries. All SPARC trademarks are used under license and are trademarks or registered trademarks of SPARC International, Inc. in the U.S. and other countries. Products bearing SPARC trademarks are based upon an architecture developed by Sun Microsystems, Inc.



As an Energy Star® partner, Sun Microsystems, Inc. has determined that configurations of this product that bear the Energy Star Logo meet the Energy Star guidelines for energy efficiency.

For more information about which configurations are Energy Star compliant, select the Sun Blade 1000 link on the <http://www.sun.com> website.

The OPEN LOOK and Sun™ Graphical User Interface was developed by Sun Microsystems, Inc. for its users and licensees. Sun acknowledges the pioneering efforts of Xerox in researching and developing the concept of visual or graphical user interfaces for the computer industry. Sun holds a non-exclusive license from Xerox to the Xerox Graphical User Interface, which license also covers Sun's licensees who implement OPEN LOOK GUIs and otherwise comply with Sun's written license agreements.

Federal Acquisitions: Commercial Software—Government Users Subject to Standard License Terms and Conditions.

DOCUMENTATION IS PROVIDED "AS IS" AND ALL EXPRESS OR IMPLIED CONDITIONS, REPRESENTATIONS AND WARRANTIES, INCLUDING ANY IMPLIED WARRANTY OF MERCHANTABILITY, FITNESS FOR A PARTICULAR PURPOSE OR NON-INFRINGEMENT, ARE DISCLAIMED, EXCEPT TO THE EXTENT THAT SUCH DISCLAIMERS ARE HELD TO BE LEGALLY INVALID.

Copyright 2002 Sun Microsystems, Inc., 901 San Antonio Road, Palo Alto, CA 94303 -4900 Etats-Unis. Tous droits réservés.

Ce produit ou document est distribué avec des licences qui en restreignent l'utilisation, la copie, la distribution, et la décompilation. Aucune partie de ce produit ou document ne peut être reproduite sous aucune forme, par quelque moyen que ce soit, sans l'autorisation préalable et écrite de Sun et de ses bailleurs de licence, s'il y en a. Le logiciel détenu par des tiers, et qui comprend la technologie relative aux polices de caractères, est protégé par un copyright et licencié par des fournisseurs de Sun.

Des parties de ce produit pourront être dérivées des systèmes Berkeley BSD licenciés par l'Université de Californie. UNIX est une marque déposée aux Etats-Unis et dans d'autres pays et licenciée exclusivement par X/Open Company, Ltd.

Sun, Sun Microsystems, the Sun logo, docs.sun.com, OpenBoot, ShowMe How, Ultra, AnswerBook2, AnswerBook, SunATM, Sun Blade, Solaris, SunVTS, PGX32, Sun StorEdge, et Solaris sont des marques de fabrique ou des marques déposées, ou marques de service, de Sun Microsystems, Inc. aux Etats-Unis et dans d'autres pays. Toutes les marques SPARC sont utilisées sous licence et sont des marques de fabrique ou des marques déposées de SPARC International, Inc. aux Etats-Unis et dans d'autres pays. Les produits portant les marques SPARC sont basés sur une architecture développée par Sun Microsystems, Inc.

L'interface d'utilisation graphique OPEN LOOK et Sun™ a été développée par Sun Microsystems, Inc. pour ses utilisateurs et licenciés. Sun reconnaît les efforts de pionniers de Xerox pour la recherche et le développement du concept des interfaces d'utilisation visuelle ou graphique pour l'industrie de l'informatique. Sun détient une licence non exclusive de Xerox sur l'interface d'utilisation graphique Xerox, cette licence couvrant également les licenciés de Sun qui mettent en place l'interface d'utilisation graphique OPEN LOOK et qui en outre se conforment aux licences écrites de Sun.

Achats fédéraux : logiciel commercial - Les utilisateurs gouvernementaux doivent respecter les conditions du contrat de licence standard.

LA DOCUMENTATION EST FOURNIE "EN L'ETAT" ET TOUTES AUTRES CONDITIONS, DECLARATIONS ET GARANTIES EXPRESSES OU TACITES SONT FORMELLEMENT EXCLUES, DANS LA MESURE AUTORISEE PAR LA LOI APPLICABLE, Y COMPRIS NOTAMMENT TOUTE GARANTIE IMPLICITE RELATIVE A LA QUALITE MARCHANDE, A L'APTITUDE A UNE UTILISATION PARTICULIERE OU A L'ABSENCE DE CONTREFAÇON.



Adobe PostScript

Contents

Preface xxxv

1. Product Description 1-1

1.1 Product Overview 1-1

1.1.1 External Components 1-4

1.2 Replaceable Components 1-8

2. SunVTS Overview 2-1

2.1 SunVTS Description 2-1

2.1.1 SunVTS Requirements 2-2

2.1.2 SunVTS References 2-2

3. Power On Self-Test 3-1

3.1 POST Overview 3-1

3.1.1 How to Use POST 3-2

3.2 Pre-POST Preparation 3-2

3.2.1 Setting Up a TIP Connection 3-2

3.2.2 Verifying the Baud Rate 3-4

3.3 Setting Up POST to Run in an OpenBoot PROM Environment 3-4

3.4 Maximum and Minimum Levels of POST 3-5

3.4.1 `diag-level` Variable Set to `max` 3-6

- 3.4.2 diag-level Variable Set to min 3-30
- 3.4.3 POST Progress and Error Reporting 3-50

4. Troubleshooting Procedures 4-1

- 4.1 Power On Failure 4-2
- 4.2 System LEDs 4-2
- 4.3 Video Output Failure 4-3
- 4.4 Frame Buffer Power Management 4-3
- 4.5 Hard Drive or DVD-ROM Drive Failures 4-5
 - 4.5.1 Hard Drive or DVD-ROM Read or Parity Errors 4-5
 - 4.5.2 DVD-ROM Command Errors 4-6
- 4.6 Power Supply Troubleshooting 4-6
- 4.7 DIMM Failure 4-8
- 4.8 OpenBoot PROM On-Board Diagnostics 4-8
 - 4.8.1 Watch-Clock Diagnostic 4-9
 - 4.8.2 Watch-Net and Watch-Net-All Diagnostics 4-9
 - 4.8.3 Probe-SCSI and Probe-SCSI-All Diagnostics 4-10
 - 4.8.4 Test *alias name, device path, -all* Diagnostic 4-11
 - 4.8.5 Graphics Card 4-12
- 4.9 OpenBoot Diagnostics 4-13
 - 4.9.1 Starting the OpenBootDiag Menu 4-14
 - 4.9.2 QLC Diagnostic Output Message 4-17
 - 4.9.3 Audio Output Message 4-18
 - 4.9.4 bbc@1,0 Output Message 4-18
 - 4.9.5 ebus@5 Output Message 4-18
 - 4.9.6 firewire@5,2 Output Message 4-19
 - 4.9.7 flashprom@0,0 Output Message 4-19
 - 4.9.8 Floppy Output Message 4-19
 - 4.9.9 gpio@1,300600 Output Message 4-20

- 4.9.10 i2c@1,2e Output Message 4-20
- 4.9.11 i2c@1,30 Output Message 4-21
- 4.9.12 network@5,1 Output Message 4-21
- 4.9.13 Parallel Port Output Message 4-21
- 4.9.14 pmc@1,300700 Output Message 4-22
- 4.9.15 rtc@1,300070 Output Message 4-22
- 4.9.16 scsi@6 Output Message 4-22
- 4.9.17 scsi@6,1 Output Message 4-23
- 4.9.18 Serial Output Message 4-23
- 4.9.19 USB Output Message 4-23
- 4.9.20 Test-All Output Message 4-24

5. Preparing for Component Removal and Replacement 5-1

- 5.1 Safety Requirements 5-2
- 5.2 Safety Symbols 5-2
- 5.3 Safety Precautions 5-3
 - 5.3.1 Modification to Equipment 5-3
 - 5.3.2 Placement of a Sun Product 5-3
 - 5.3.3 Power Cord Connection 5-3
 - 5.3.4 Electrostatic Discharge 5-4
 - 5.3.5 Lithium Battery 5-4
- 5.4 Tools Required 5-5
- 5.5 Powering Off the Workstation 5-5
- 5.6 Removing the Access Panel 5-8
- 5.7 Attaching the Antistatic Wrist Strap 5-10

6. Removing and Replacing Major Subassemblies 6-1

- 6.1 Power Supply Assembly 6-1
 - 6.1.1 Replacing the Power Supply Assembly 6-4

- 6.2 Power Switch Assembly 6-5
 - 6.2.1 Removing the Power Switch Assembly 6-5
 - 6.2.2 Replacing the Power Switch Assembly 6-6
- 6.3 Cable Assemblies 6-7
 - 6.3.1 Removing the Peripheral Power Cable Assembly 6-7
 - 6.3.2 Replacing the Peripheral Power Cable Assembly 6-8
 - 6.3.3 Removing the SCSI Cable Assembly 6-9
 - 6.3.4 Replacing the SCSI Cable Assembly 6-10
 - 6.3.5 Removing the Diskette Drive Cable Assembly 6-11
 - 6.3.6 Replacing the Diskette Drive Cable Assembly 6-12
 - 6.3.7 Removing the Smart Card Reader Cable Assembly 6-13
 - 6.3.8 Replacing the Smart Card Reader Cable Assembly 6-14
 - 6.3.9 Removing the Combined Cable Assembly 6-15
 - 6.3.10 Replacing the Combined Cable Assembly 6-16
 - 6.3.11 Removing the Logo LED Cable Assembly 6-17
 - 6.3.12 Replacing the Logo LED Cable Assembly 6-18
- 6.4 Interlock Switch Assembly 6-19
 - 6.4.1 Removing the Interlock Switch Assembly 6-19
 - 6.4.2 Replacing the Interlock Switch Assembly 6-20
- 6.5 Fan Assemblies 6-21
 - 6.5.1 Removing a Fan Assembly 6-21
 - 6.5.2 Replacing a Fan Assembly 6-22
- 6.6 Fan Bracket 6-23
 - 6.6.1 Removing the Fan Bracket 6-23
 - 6.6.2 Replacing the Fan Bracket 6-24
- 6.7 Speaker Assembly 6-25
 - 6.7.1 Removing the Speaker Assembly 6-25
 - 6.7.2 Replacing the Speaker Assembly 6-26

- 6.8 FC-AL Backplane Assembly 6-27
 - 6.8.1 Removing the FC-AL Backplane Assembly 6-27
 - 6.8.2 Replacing the FC-AL Backplane Assembly 6-28
- 6.9 Chassis Foot 6-29
 - 6.9.1 Removing a Chassis Foot 6-29
 - 6.9.2 Replacing a Chassis Foot 6-30
- 6.10 Filler Panels 6-31
 - 6.10.1 Removing a Filler Panel 6-31
 - 6.10.2 Replacing a Filler Panel 6-32
- 7. Removing and Replacing Storage Devices 7-1**
 - 7.1 Hard Drive 7-1
 - 7.1.1 Removing a Hard Drive 7-2
 - 7.1.2 Replacing a Hard Drive 7-3
 - 7.2 Peripheral Assembly Drives 7-3
 - 7.2.1 Removing the Peripheral Assembly 7-3
 - 7.2.2 Removing the DVD-ROM Drive or Any Optional Tape Drive Component 7-5
 - 7.2.3 Replacing the DVD-ROM Drive or Any Optional Tape Drive Component 7-6
 - 7.2.4 Logically Removing the Smart Card Reader 7-6
 - 7.2.5 Disabling the Smart Card 7-7
 - 7.2.6 Removing the Smart Card Reader 7-7
 - 7.2.7 Replacing the Smart Card Reader 7-8
 - 7.2.8 Removing the Diskette Drive 7-9
 - 7.2.9 Replacing the Diskette Drive 7-10
 - 7.2.10 Replacing the Peripheral Assembly 7-10
- 8. Removing and Replacing the Motherboard and Associated Components 8-1**
 - 8.1 UltraSPARC III CPU Module 8-2

- 8.1.1 About UltraSPARC III CPU Modules 8-2
- 8.1.2 Configuration Rules 8-3
- 8.1.3 CPU Module Slot Positions in the Workstation 8-3
- 8.2 Removing a Torque Tool 8-4
 - 8.2.1 Firmware and Software Requirements for Installing UltraSPARC III or UltraSPARC III Cu CPU Modules 8-6
 - 8.2.2 Removing a CPU Module 8-6
 - 8.2.3 Replacing an UltraSPARC III CPU Module 8-12
- 8.3 PCI Card 8-20
 - 8.3.1 Removing a PCI Card 8-20
 - 8.3.2 Replacing a PCI Card 8-22
- 8.4 Graphics Card 8-23
 - 8.4.1 Graphics and PCI Card Options 8-23
 - 8.4.2 Sun Expert3D and Expert-Lite Graphics Cards 8-24
 - 8.4.3 Removing the Graphics Card 8-25
 - 8.4.4 Replacing the Graphics Card 8-26
- 8.5 Audio Module Assembly 8-28
 - 8.5.1 Removing the Audio Module Assembly 8-28
 - 8.5.2 Replacing the Audio Module Assembly 8-29
- 8.6 DIMM 8-30
 - 8.6.1 Removing a DIMM 8-30
 - 8.6.2 Replacing a DIMM 8-32
- 8.7 Replaceable Battery 8-34
 - 8.7.1 Removing the Battery 8-34
 - 8.7.2 Replacing the Battery 8-34
- 8.8 Motherboard 8-35
 - 8.8.1 Removing the Motherboard 8-36
 - 8.8.2 Replacing the Motherboard 8-38
- 8.9 CPU Shroud 8-40

8.9.1	Removing the CPU Shroud	8-40
8.9.2	Replacing the CPU Shroud	8-41
9.	Finishing Replacement Procedures	9-1
9.1	Replacing the Access Panel	9-1
9.2	Powering On the Workstation	9-4
9.3	Enabling Power Management	9-5
9.3.1	Activating the Workstation From Low-Power Mode	9-6
9.4	Disabling Power Management	9-7
10.	OpenBoot Emergency Procedures	10-1
10.1	OpenBoot Emergency Procedures for Workstations With Standard (Non-USB) Keyboards	10-1
10.2	OpenBoot Emergency Procedures for Workstations With USB Keyboards	10-2
10.2.1	Stop-A Functionality	10-2
10.2.2	Stop-N Functionality	10-2
10.2.3	Stop-F Functionality	10-4
10.2.4	Stop-D Functionality	10-4
A.	Product Specifications	A-1
A.1	Physical Specifications	A-1
A.2	Electrical Specifications	A-2
A.3	Energy Star Compliance	A-2
A.4	Environmental Requirements	A-3
B.	Signal Descriptions	B-1
B.1	Power Connectors	B-2
B.2	Serial Ports A and B	B-6
B.3	UltraSCSI Connector	B-7
B.4	Parallel Port Connector	B-12

- B.5 Universal Serial Bus Connector B-13
- B.6 IEEE 1394 Connector B-14
- B.7 Twisted-Pair Ethernet Connector B-15
 - B.7.1 TPE Cable-Type Connectivity B-16
 - B.7.2 External UTP-5 Cable Lengths B-16
- B.8 Audio Connectors B-17
- B.9 FC-AL Rear Panel Connector B-17
- B.10 Graphics Card Connectors B-18
- B.11 Smart Card Reader Connector B-19
- B.12 Diskette Drive Connector B-21
- B.13 Internal SCSI Connector B-24
- B.14 Internal FC-AL Connector B-25
- B.15 Logo LED Connector B-26

C. Functional Description C-1

- C.1 System C-1
 - C.1.1 Workstation Overview C-2
 - C.1.2 UltraSPARC III Central Processing Unit (CPU) C-4
 - C.1.2.1 Configuration Rules C-6
 - C.1.2.2 System Requirements for the UltraSPARC III 600 MHz CPU Module C-6
 - C.1.2.3 System Requirements for the UltraSPARC III 750 MHz CPU Module C-7
 - C.1.2.4 System Requirements for the UltraSPARC III 900 MHz CPU Module C-8
 - C.1.2.5 System Requirements for the UltraSPARC III Cu CPU Module C-9
 - C.1.3 System Memory C-9
 - C.1.3.1 Organization C-9
 - C.1.3.2 Memory Configuration C-12

C.1.3.3	Memory Modules	C-13
C.1.3.4	Memory Module Configuration Rules	C-13
C.1.3.5	System Memory Interleaving	C-14
C.1.3.6	Memory Timing	C-16
C.1.4	I/O Subsystem	C-17
C.1.4.1	SBC ASIC	C-17
C.1.4.2	PCIO-2	C-20
C.1.4.3	EBus Leaf	C-22
C.1.5	Interrupts	C-22
C.1.6	BootBus	C-23
C.1.6.1	BootBus Controller (BBC) ASIC	C-24
C.1.7	UPA	C-27
C.1.8	PCI Bus	C-27
C.1.8.1	PCI Cards	C-27
C.1.8.2	PCI Bus ASICs	C-28
C.1.8.3	Graphics and PCI Card Options	C-29
C.1.8.4	Sun Expert3D and Expert3D-Lite Graphics Cards	C-29
C.1.9	Peripherals	C-29
C.1.9.1	DVD-ROM and Tape Drives	C-29
C.1.9.2	Diskette Drive	C-30
C.1.9.3	Hard Drives	C-30
C.1.9.4	Smart Card Reader	C-31
C.1.10	Other Peripheral Assembly Options	C-31
C.1.11	Keyboard and Mouse	C-31
C.1.11.1	Keyboard and Mouse Port	C-32
C.1.12	Diskette Drive and Parallel Ports	C-32
C.1.12.1	Diskette Port	C-32
C.1.12.2	Parallel Port	C-33

- C.1.13 Serial Port C-34
 - C.1.13.1 Serial Port Components C-34
 - C.1.13.2 Serial Port Functions C-35
 - C.1.13.3 EIA Levels C-35
 - C.1.13.4 Synchronous Rates C-35
 - C.1.13.5 Asynchronous Rates C-36
 - C.1.13.6 Slew Rate and Cable Length C-36
- C.1.14 Ethernet C-36
 - C.1.14.1 Automatic Negotiation C-37
 - C.1.14.2 External Cables C-37
- C.1.15 Audio Card and Connector C-37
- C.1.16 FC-AL Subsystem C-39
- C.1.17 SCSI C-41
 - C.1.17.1 Host Adapter C-41
 - C.1.17.2 Supported Target Devices C-42
 - C.1.17.3 External Cables C-42
- C.1.18 SuperI/O C-42
- C.2 Power Supply C-43
 - C.2.1 Control Signals C-43
 - C.2.1.1 Remote Enable Power On C-44
- C.3 Motherboard C-44
- C.4 Jumper Descriptions C-47
 - C.4.1 Flash PROM Jumpers C-48
- C.5 Enclosure C-50
 - C.5.1 Enclosure Basics C-50
 - C.5.2 Enclosure Features C-50
- C.6 Power Management C-51
 - C.6.1 Subsystems Power Management C-52

C.6.1.1	UltraSPARC III Processor(s), Main Memory, and Sun CrossBar Interconnect	C-52
C.6.1.2	EPCI Bus	C-52
C.6.1.3	Storage Devices	C-52
C.6.1.4	Audio	C-53
C.6.1.5	IEEE 1394 Bus	C-53
C.6.1.6	USB	C-53

D. USB Support D-1

D.1	USB Keyboard and Mouse	D-1
D.1.1	USB Keyboard	D-1
D.1.2	USB Mouse	D-2
D.2	USB Power Management	D-2
D.2.1	Storage Devices	D-3
D.2.2	Printer Devices	D-3
D.2.3	Hot-Plugging	D-3
D.2.4	Cabling	D-3
D.2.5	Devices Supported	D-4
D.2.6	Man Pages Available	D-4

Glossary Glossary-1

Index Index-1

Figures

- FIGURE 1-1 Sun Blade 1000 and Sun Blade 2000 Workstation, Monitor, Keyboard, and Mouse 1-4
- FIGURE 1-2 Front Panel Overview — Sun Blade 1000 and Sun Blade 2000 Workstations 1-5
- FIGURE 1-3 Back Panel Overview — Sun Blade 1000 and Sun Blade 2000 Workstations 1-6
- FIGURE 1-4 Exploded View — Sun Blade 1000 and Sun Blade 2000 Workstations 1-9
- FIGURE 3-1 Setting Up a TIP Connection 3-3
- FIGURE 4-1 Power Supply Connector Jack Location 4-8
- FIGURE 5-1 Workstation Power Switch 5-6
- FIGURE 5-2 Lock Block Location 5-7
- FIGURE 5-3 Removing the Access Panel 5-9
- FIGURE 5-4 Attaching the Antistatic Wrist Strap to the Chassis 5-11
- FIGURE 6-1 Power Supply Cable Tie 6-2
- FIGURE 6-2 Removing and Replacing the Power Supply Assembly 6-3
- FIGURE 6-3 Removing and Replacing the Connectors for the Power Supply Assembly 6-3
- FIGURE 6-4 Dressing the Power Supply Cables 6-4
- FIGURE 6-5 Removing and Replacing the Power Switch Assembly 6-6
- FIGURE 6-6 Removing and Replacing the Peripheral Power Cable Assembly 6-8
- FIGURE 6-7 Removing and Replacing the SCSI Cable Assembly 6-10
- FIGURE 6-8 Removing and Replacing the Diskette Drive Cable Assembly 6-12
- FIGURE 6-9 Removing and Replacing the Smart Card Reader Cable Assembly 6-14
- FIGURE 6-10 Removing and Replacing the Combined Cable Assembly 6-16

- FIGURE 6-11 Removing and Replacing the Logo LED Cable Assembly 6-18
- FIGURE 6-12 Removing and Replacing the Interlock Switch Assembly 6-20
- FIGURE 6-13 Removing and Replacing a Fan Assembly 6-22
- FIGURE 6-14 Removing and Replacing the Fan Bracket 6-24
- FIGURE 6-15 Removing and Replacing the Speaker Assembly 6-26
- FIGURE 6-16 Removing and Replacing the FC-AL Backplane Assembly 6-28
- FIGURE 6-17 Removing and Replacing the Chassis Foot 6-30
- FIGURE 6-18 Removing and Replacing Plastic Filler Panels 6-31
- FIGURE 6-19 Removing and Replacing Metal Filler Panels 6-32
- FIGURE 7-1 Removing and Replacing a Hard Drive 7-2
- FIGURE 7-2 Removing and Replacing the Peripheral Assembly 7-4
- FIGURE 7-3 Removing and Replacing the DVD-ROM Drive 7-5
- FIGURE 7-4 Removing and Replacing the Smart Card Reader 7-8
- FIGURE 7-5 Removing and Replacing the Diskette Drive 7-9
- FIGURE 8-1 UltraSPARC III Cu CPU Module and Label 8-2
- FIGURE 8-2 Location of CPU Processor Slots 0 and 1, Captive Screws, and Torque Tools 8-4
- FIGURE 8-3 Location of Torque Tool A and Torque Tool B 8-5
- FIGURE 8-4 Removing the Filler Panel 8-7
- FIGURE 8-5 Using Torque Tool A to Remove a CPU Module 8-8
- FIGURE 8-6 Removing the Cover for the Shroud 8-10
- FIGURE 8-7 Using Torque Tool B to Remove a CPU Module 8-11
- FIGURE 8-8 Removing the Plastic Cover From the CPU Module Connectors 8-13
- FIGURE 8-9 Lowering the CPU Module Into the Threaded Inserts 8-14
- FIGURE 8-10 Alternately Rotating Left and Right Captive Screws One Turn Clockwise 8-15
- FIGURE 8-11 Adjusting Captive Screws Until the Torque Tool Gap Is 0.0 Inches (0.0 MM.) 8-16
- FIGURE 8-12 Installing the Cover for the Shroud 8-17
- FIGURE 8-13 Alternately Rotating Left and Right Captive Screws One Turn Clockwise 8-18
- FIGURE 8-14 Torque Tool A Clicks When the Captive Screws Are Correctly Torqued 8-19
- FIGURE 8-15 Removing and Replacing a PCI Card 8-21
- FIGURE 8-16 Graphics, EPCI, and PCI Card Slots 8-24

FIGURE 8-17	Removing and Replacing a Graphics Card	8-26
FIGURE 8-18	Removing and Replacing the Audio Module Assembly	8-29
FIGURE 8-19	Removing and Replacing a DIMM	8-32
FIGURE 8-20	Removing and Replacing the Motherboard	8-37
FIGURE 8-21	Removing and Replacing the CPU Shroud	8-41
FIGURE 9-1	Replacing the Access Panel	9-2
FIGURE 9-2	Lock Block Location	9-3
FIGURE 9-3	Workstation Power Switch	9-5
FIGURE 9-4	Sun USB Type-6 Keyboard Power Key and Power Off Selection Dialog Box	9-6
FIGURE B-1	Power Supply Connector J3603	B-2
FIGURE B-2	Power Supply Connector J3601	B-3
FIGURE B-3	PCI Fan Connector J3302	B-4
FIGURE B-4	CPU Fan Connector J3303	B-4
FIGURE B-5	Combined Cable Assembly Connector J3602	B-4
FIGURE B-6	Peripheral Power Cable Assembly Connector J3608	B-5
FIGURE B-7	Serial Port A and B Connector Pin Configuration	B-6
FIGURE B-8	UltraSCSI Connector Pin Configuration	B-8
FIGURE B-9	Parallel Port Connector Pin Configuration	B-12
FIGURE B-10	USB Connector Pin Configuration	B-13
FIGURE B-11	IEEE 1394 Connector Pin Configuration	B-14
FIGURE B-12	TPE Connector Pin Configuration	B-15
FIGURE B-13	Audio Connector Configuration	B-17
FIGURE B-14	FC-AL Connector Configuration	B-17
FIGURE B-15	Graphics Card Connector Pin Configuration	B-18
FIGURE B-16	Pin Assignments for Smart Card Reader Connector J3604	B-19
FIGURE B-17	Diskette Drive Connector J1801	B-21
FIGURE B-18	Internal SCSI Connector J5002	B-24
FIGURE B-19	Internal FC-AL Connector J2901	B-25
FIGURE B-20	Logo LED Connector J3605	B-26
FIGURE C-1	Sun Blade 1000 and Sun Blade 2000 Functional Block Diagram	C-3

- FIGURE C-2 UltraSPARC III Processor Functional Block Diagram C-5
- FIGURE C-3 Main Memory Functional Block Diagram C-11
- FIGURE C-4 DIMM Mapping C-12
- FIGURE C-5 One, Two, and Four Way Interleaving C-16
- FIGURE C-6 SBC Block Diagram C-18
- FIGURE C-7 PCIO-2 Block Diagram C-20
- FIGURE C-8 Sun Blade 1000 and Sun Blade 2000 Interrupt Block Diagram C-23
- FIGURE C-9 Sun Blade 1000 and Sun Blade 2000 Boot Structure C-24
- FIGURE C-10 Keyboard and Mouse, Diskette, and Parallel Port Functional Block Diagram C-32
- FIGURE C-11 Serial Port Functional Block Diagram C-34
- FIGURE C-12 Audio Card Functional Block Diagram C-38
- FIGURE C-13 Sun Blade 1000 and Sun Blade 2000 FC-AL Disk Subsystem C-40
- FIGURE C-14 Configuration for the SCSI Bus C-41
- FIGURE C-15 System Motherboard Block Diagram C-45
- FIGURE C-16 Selected Jumper Settings C-47
- FIGURE C-17 Identifying Jumper Pins C-48
- FIGURE C-18 Flash PROM Jumper Locations C-49

Tables

TABLE 1-1	Sun Blade 1000 and Sun Blade 2000 Product Features and Options	1-2
TABLE 1-2	Back Panel Overview — Sun Blade 1000 and Sun Blade 2000 Workstations	1-7
TABLE 1-3	Replaceable Components	1-10
TABLE 3-1	Approximate POST Completion Times	3-5
TABLE 4-1	Power-Indicator LED States	4-2
TABLE 4-2	Internal Drives Identification	4-5
TABLE 4-3	Selected OpenBoot PROM On-Board Diagnostic Tests	4-12
TABLE 8-1	Required Solaris Operating Environment, Firmware, and Software for Sun Blade 1000 and Sun Blade 2000 Workstations	8-6
TABLE 8-2	CPU Module Handling Procedures	8-12
TABLE 9-1	Power-Indicator LED States	9-5
TABLE 10-1	OpenBoot Emergency Procedure Commands (Non-USB) Keyboards	10-2
TABLE A-1	Physical Specifications	A-1
TABLE A-2	Electrical Specifications	A-2
TABLE A-3	Environmental Requirements	A-3
TABLE B-1	Power Connectors	B-2
TABLE B-2	Power Supply Connector J3603 Pin Description	B-2
TABLE B-3	Power Supply Connector J3601 Pin Description	B-3
TABLE B-4	PCI Fan Connector J3302 Pin Description	B-4
TABLE B-5	CPU Fan Connector J3303 Pin Description	B-4
TABLE B-6	Combined Cable Assembly Connector J3602 Pin Description	B-5

TABLE B-7	Peripheral Power Cable Assembly Connector J3608 Pin Description	B-5
TABLE B-8	Serial Port A and B Connector Pin Assignments	B-6
TABLE B-9	UltraSCSI Connector Pin Assignments	B-8
TABLE B-10	Parallel Port Connector Pin Assignments	B-12
TABLE B-11	USB Connector Pin Assignments	B-14
TABLE B-12	IEEE 1394 Connector Pin Assignments	B-14
TABLE B-13	TPE Connector Pin Assignments	B-15
TABLE B-14	TPE UTP-5 Cables	B-16
TABLE B-15	Audio Connector Line Assignment	B-17
TABLE B-16	FC-AL Connector Pin Assignments	B-18
TABLE B-17	Graphics Card Connector Pin Assignments	B-18
TABLE B-18	Pin Assignments for Smart Card Reader Connector J3604	B-20
TABLE B-19	Diskette Drive Connector, J1801, Signals and Functions	B-21
TABLE B-20	Internal SCSI Connector J5002	B-24
TABLE B-21	Internal FC-AL Connector J2901	B-26
TABLE B-22	Logo LED Connector J3605	B-27
TABLE C-1	DIMMs Committed	C-12
TABLE C-2	Memory Sizes Supported	C-13
TABLE C-3	System Memory Interleaving	C-15
TABLE C-4	PCI Slot-to-PCI Bus Mapping	C-28
TABLE C-5	Internal Hard Drive Features	C-30
TABLE C-6	Audio Card Features	C-37
TABLE C-7	ISP2200A GPIO Bits	C-39
TABLE C-8	Power Supply Output Values for the Sun Blade 1000 and Sun Blade 2000	C-43
TABLE C-9	Power Supply Control Signal Levels	C-43
TABLE C-10	Motherboard Component Functions	C-46
TABLE C-11	Flash PROM Jumper Settings	C-49
TABLE C-12	Power-Indicator LED States	C-51

Regulatory Compliance Statements

Your Sun product is marked to indicate its compliance class:

- Federal Communications Commission (FCC) — USA
- Industry Canada Equipment Standard for Digital Equipment (ICES-003) — Canada
- Voluntary Control Council for Interference (VCCI) — Japan
- Bureau of Standards Metrology and Inspection (BSMI) — Taiwan

Please read the appropriate section that corresponds to the marking on your Sun product before attempting to install the product.

FCC Class A Notice

This device complies with Part 15 of the FCC Rules. Operation is subject to the following two conditions:

1. This device may not cause harmful interference.
2. This device must accept any interference received, including interference that may cause undesired operation.

Note: This equipment has been tested and found to comply with the limits for a Class A digital device, pursuant to Part 15 of the FCC Rules. These limits are designed to provide reasonable protection against harmful interference when the equipment is operated in a commercial environment. This equipment generates, uses, and can radiate radio frequency energy, and if it is not installed and used in accordance with the instruction manual, it may cause harmful interference to radio communications. Operation of this equipment in a residential area is likely to cause harmful interference, in which case the user will be required to correct the interference at his own expense.

Shielded Cables: Connections between the workstation and peripherals must be made using shielded cables to comply with FCC radio frequency emission limits. Networking connections can be made using unshielded twisted-pair (UTP) cables.

Modifications: Any modifications made to this device that are not approved by Sun Microsystems, Inc. may void the authority granted to the user by the FCC to operate this equipment.

FCC Class B Notice

This device complies with Part 15 of the FCC Rules. Operation is subject to the following two conditions:

1. This device may not cause harmful interference.
2. This device must accept any interference received, including interference that may cause undesired operation.

Note: This equipment has been tested and found to comply with the limits for a Class B digital device, pursuant to Part 15 of the FCC Rules. These limits are designed to provide reasonable protection against harmful interference in a residential installation. This equipment generates, uses and can radiate radio frequency energy and, if not installed and used in accordance with the instructions, may cause harmful interference to radio communications. However, there is no guarantee that interference will not occur in a particular installation. If this equipment does cause harmful interference to radio or television reception, which can be determined by turning the equipment off and on, the user is encouraged to try to correct the interference by one or more of the following measures:

- Reorient or relocate the receiving antenna.
- Increase the separation between the equipment and receiver.
- Connect the equipment into an outlet on a circuit different from that to which the receiver is connected.
- Consult the dealer or an experienced radio/television technician for help.

Shielded Cables: Connections between the workstation and peripherals must be made using shielded cables in order to maintain compliance with FCC radio frequency emission limits. Networking connections can be made using unshielded twisted pair (UTP) cables.

Modifications: Any modifications made to this device that are not approved by Sun Microsystems, Inc. may void the authority granted to the user by the FCC to operate this equipment.

ICES-003 Class A Notice - Avis NMB-003, Classe A

This Class A digital apparatus complies with Canadian ICES-003.

Cet appareil numérique de la classe A est conforme à la norme NMB-003 du Canada.

ICES-003 Class B Notice - Avis NMB-003, Classe B

This Class B digital apparatus complies with Canadian ICES-003.

Cet appareil numérique de la classe B est conforme à la norme NMB-003 du Canada.


VCCI 基準について

クラス A VCCI 基準について

クラス A VCCI の表示があるワークステーションおよびオプション製品は、クラス A 情報技術装置です。これらの製品には、下記の項目が該当します。

この装置は、情報処理装置等電波障害自主規制協議会 (VCCI) の基準に基づくクラス A 情報技術装置です。この装置を家庭環境で使用すると電波妨害を引き起こすことがあります。この場合には使用者が適切な対策を講ずるよう要求されることがあります。

クラス B VCCI 基準について

クラス B VCCI の表示  があるワークステーションおよびオプション製品は、クラス B 情報技術装置です。これらの製品には、下記の項目が該当します。

この装置は、情報処理装置等電波障害自主規制協議会 (VCCI) の基準に基づくクラス B 情報技術装置です。この装置は、家庭環境で使用することを目的としていますが、この装置がラジオやテレビジョン受信機に近接して使用されると、受信障害を引き起こすことがあります。取扱説明書に従って正しい取り扱いをしてください。

BSMI Class A Notice

The following statement is applicable to products shipped to Taiwan and marked as Class A on the product compliance label.

警告使用者：
這是甲類的資訊產品，在居住的環境中使用時，可能會造成射頻干擾，在這種情況下，使用者會被要求採取某些適當的對策。

Declaration of Conformity

Compliance Model Number: 180
Product Family Name: Sun Blade 1000 and Sun Blade 2000

EMC

USA—FCC Class B

This equipment complies with Part 15 of the FCC Rules. Operation is subject to the following two conditions:

1. This equipment may not cause harmful interference.
2. This equipment must accept any interference that may cause undesired operation.

European Union

This equipment complies with the following requirements of the EMC Directive 89/336/EEC:

EN55022:1998/CISPR22:1997	Class B
EN55024:1998	Required Limits (as applicable):
EN61000-4-2	4 kV (Direct), 8 kV (Air)
EN61000-4-3	3 V/m
EN61000-4-4	1 kV AC Power Lines, 0.5 kV Signal and DC Power Lines
EN61000-4-5	1 kV AC Line-Line and Outdoor Signal Lines 2 kV AC Line-Gnd, 0.5 kV DC Power Lines
EN61000-4-6	3 V
EN61000-4-8	1 A/m
EN61000-4-11	Pass
EN61000-3-2:1995 + A1, A2, A14	Pass
EN61000-3-3:1995	Pass

Safety

This equipment complies with the following requirements of the Low Voltage Directive 73/23/EEC:

EC Type Examination Certificates:

EN60950:1992, 2nd Edition, Amendments 1, 2, 3, 4, 11	TÜV Rheinland Certificate No. S 9872459
IEC 950:1991, 2nd Edition, Amendments 1, 2, 3, 4	CB Scheme Certificate No. US/3009/UL
Evaluated to all CB Countries	

Supplementary Information

This product was tested and complies with all the requirements for the CE Mark.

/S/

Dennis P. Symanski
Manager, Compliance Engineering
Sun Microsystems, Inc.
901 San Antonio Road, MPK15-102
Palo Alto, CA 94303-4900 U.S.A.
Tel: 650-786-3255
Fax: 650-786-3723

DATE

/S/

Peter Arkless
Quality Manager
Sun Microsystems Scotland, Limited
Springfield, Linlithgow
West Lothian, EH49 7LR
Scotland, United Kingdom
Tel: 0506-670000 Fax: 0506-760011

DATE

Safety Agency Compliance Statements

Read this section before beginning any procedure. The following text provides safety precautions to follow when installing a Sun Microsystems product.

Safety Precautions

For your protection, observe the following safety precautions when setting up your equipment:

- Follow all cautions and instructions marked on the equipment.
- Ensure that the voltage and frequency of your power source match the voltage and frequency inscribed on the equipment's electrical rating label.
- Never push objects of any kind through openings in the equipment. Dangerous voltages may be present. Conductive foreign objects could produce a short circuit that could cause fire, electric shock, or damage to your equipment.

Symbols

The following symbols may appear in this book:



Caution – There is a risk of personal injury and equipment damage. Follow the instructions.



Caution – Hot surface. Avoid contact. Surfaces are hot and may cause personal injury if touched.



Caution – Hazardous voltages are present. To reduce the risk of electric shock and danger to personal health, follow the instructions.

Modifications to Equipment

Do not make mechanical or electrical modifications to the equipment. Sun Microsystems is not responsible for regulatory compliance of a modified Sun product.

Placement of a Sun Product



Caution – Do not block or cover the openings of your Sun product. Never place a Sun product near a radiator or heat register. Failure to follow these guidelines can cause overheating and affect the reliability of your Sun product.



Caution – The workplace-dependent noise level defined in DIN 45 635 Part 1000 must be 70Db(A) or less.

SELV Compliance

Safety status of I/O connections comply to SELV requirements.

Power Cord Connection



Caution – Sun products are designed to work with single-phase power systems having a grounded neutral conductor. To reduce the risk of electric shock, do not plug Sun products into any other type of power system. Contact your facilities manager or a qualified electrician if you are not sure what type of power is supplied to your building.



Caution – Not all power cords have the same current ratings. Household extension cords do not have overload protection and are not meant for use with computer systems. Do not use household extension cords with your Sun product.



Caution – Your Sun product is shipped with a grounding type (three-wire) power cord. To reduce the risk of electric shock, always plug the cord into a grounded power outlet

Lithium Battery



Caution – On Sun CPU boards, there is a lithium battery molded into the real-time clock, SGS No. MK48T59Y, MK48TXXB-XX, MK48T18-XXXPCZ, M48T59W-XXXPCZ, or MK48T08. Batteries are not customer replaceable parts. They may explode if mishandled. Do not dispose of the battery in fire. Do not disassemble it or attempt to recharge it.

System Unit Cover

You must remove the cover of your Sun computer system unit to add cards, memory, or internal storage devices. Be sure to replace the top cover before powering on your computer system.



Caution – Do not operate Sun products without the top cover in place. Failure to take this precaution may result in personal injury and system damage.

Laser Compliance Notice

Sun products that use laser technology comply with Class 1 laser requirements.

Class 1 Laser Product
Luokan 1 Laserlaite
Klasse 1 Laser Apparat
Laser Klasse 1

CD-ROM or DVD-ROM



Caution – Use of controls, adjustments, or the performance of procedures other than those specified herein may result in hazardous radiation exposure.

Conformité aux normes de sécurité

Ce texte traite des mesures de sécurité qu'il convient de prendre pour l'installation d'un produit Sun Microsystems.

Mesures de sécurité

Pour votre protection, veuillez prendre les précautions suivantes pendant l'installation du matériel :

- Suivre tous les avertissements et toutes les instructions inscrites sur le matériel.
- Vérifier que la tension et la fréquence de la source d'alimentation électrique correspondent à la tension et à la fréquence indiquées sur l'étiquette de classification de l'appareil.
- Ne jamais introduire d'objets quels qu'ils soient dans une des ouvertures de l'appareil. Vous pourriez vous trouver en présence de hautes tensions dangereuses. Tout objet conducteur introduit de la sorte pourrait produire un court-circuit qui entraînerait des flammes, des risques d'électrocution ou des dégâts matériels.

Symboles

Vous trouverez ci-dessous la signification des différents symboles utilisés :



Attention – risques de blessures corporelles et de dégâts matériels. Veuillez suivre les instructions.



Attention – surface à température élevée. Evitez le contact. La température des surfaces est élevée et leur contact peut provoquer des blessures corporelles.



Attention – présence de tensions dangereuses. Pour éviter les risques d'électrocution et de danger pour la santé physique, veuillez suivre les instructions.

Modification du matériel

Ne pas apporter de modification mécanique ou électrique au matériel. Sun Microsystems n'est pas responsable de la conformité réglementaire d'un produit Sun qui a été modifié.

Positionnement d'un produit Sun



Attention – pour assurer le bon fonctionnement de votre produit Sun et pour l'empêcher de surchauffer, il convient de ne pas obstruer ni recouvrir les ouvertures prévues dans l'appareil. Un produit Sun ne doit jamais être placé à proximité d'un radiateur ou d'une source de chaleur.



Attention – Le niveau de pression acoustique au poste de travail s'élève selon la norme DIN 45 635 section 1000, à 70 dB (A) ou moins.

Conformité SELV

Sécurité : les raccordements E/S sont conformes aux normes SELV.

Connexion du cordon d'alimentation



Attention – les produits Sun sont conçus pour fonctionner avec des alimentations monophasées munies d'un conducteur neutre mis à la terre. Pour écarter les risques d'électrocution, ne pas brancher de produit Sun dans un autre type d'alimentation secteur. En cas de doute quant au type d'alimentation électrique du local, veuillez vous adresser au directeur de l'exploitation ou à un électricien qualifié.



Attention – tous les cordons d'alimentation n'ont pas forcément la même puissance nominale en matière de courant. Les rallonges d'usage domestique n'offrent pas de protection contre les surcharges et ne sont pas prévues pour les systèmes d'ordinateurs. Ne pas utiliser de rallonge d'usage domestique avec votre produit Sun.



Attention – votre produit Sun a été livré équipé d'un cordon d'alimentation à trois fils (avec prise de terre). Pour écarter tout risque d'électrocution, branchez toujours ce cordon dans une prise mise à la terre.

Batterie au lithium



Attention – sur les cartes CPU Sun, une batterie au lithium (référence MK48T59Y, MK48TXXB-XX, MK48T18-XXXPCZ, M48T59W-XXXPCZ, ou MK48T08.) a été moulée dans l'horloge temps réel SGS. Les batteries ne sont pas des pièces remplaçables par le client. Elles risquent d'exploser en cas de mauvais traitement. Ne pas jeter la batterie au feu. Ne pas la démonter ni tenter de la recharger.

Couvercle

Pour ajouter des cartes, de la mémoire, ou des unités de stockage internes, vous devrez démonter le couvercle de l'unité système Sun. Ne pas oublier de remettre ce couvercle en place avant de mettre le système sous tension.



Attention – il est dangereux de faire fonctionner un produit Sun sans le couvercle en place. Si l'on néglige cette précaution, on encourt des risques de blessures corporelles et de dégâts matériels.

Conformité aux certifications Laser

Les produits Sun qui font appel aux technologies lasers sont conformes aux normes de la classe 1 en la matière.

Class 1 Laser Product
Luokan 1 Laserlaitte
Klasse 1 Laser Apparat
Laser Klasse 1

Lecteur de CD-ROM ou de DVD-ROM



Attention – L'utilisation de contrôles, de réglages ou de performances de procédures autre que celle spécifiée dans le présent document peut provoquer une exposition à des radiations dangereuses.

Einhaltung sicherheitsbehördlicher Vorschriften

Auf dieser Seite werden Sicherheitsrichtlinien beschrieben, die bei der Installation von Sun-Produkten zu beachten sind.

Sicherheitsvorkehrungen

Treffen Sie zu Ihrem eigenen Schutz die folgenden Sicherheitsvorkehrungen, wenn Sie Ihr Gerät installieren:

- Beachten Sie alle auf den Geräten angebrachten Warnhinweise und Anweisungen.
- Vergewissern Sie sich, daß Spannung und Frequenz Ihrer Stromquelle mit der Spannung und Frequenz übereinstimmen, die auf dem Etikett mit den elektrischen Nennwerten des Geräts angegeben sind.
- Stecken Sie auf keinen Fall irgendwelche Gegenstände in Öffnungen in den Geräten. Leitfähige Gegenstände könnten aufgrund der möglicherweise vorliegenden gefährlichen Spannungen einen Kurzschluß verursachen, der einen Brand, Stromschlag oder Geräteschaden herbeiführen kann.

Symbole

Die Symbole in diesem Handbuch haben folgende Bedeutung:



Achtung – Gefahr von Verletzung und Geräteschaden. Befolgen Sie die Anweisungen



Achtung – Hohe Temperatur. Nicht berühren, da Verletzungsgefahr durch heiße Oberfläche besteht.



Achtung – Gefährliche Spannungen. Anweisungen befolgen, um Stromschläge und Verletzungen zu vermeiden

Aufstellung von Sun-Geräten



Achtung – Um den zuverlässigen Betrieb Ihres Sun-Geräts zu gewährleisten und es vor Überhitzung zu schützen, dürfen die Öffnungen im Gerät nicht blockiert oder verdeckt werden. Sun-Produkte sollten niemals in der Nähe von Heizkörpern oder Heizluftklappen aufgestellt werden



Achtung – Der arbeitsplatzbezogene Schalldruckpegel nach DIN 45 635 Teil 1000 beträgt 70Db(A) oder weniger.

Einhaltung der SELV-Richtlinien

Die Sicherung der I/O-Verbindungen entspricht den Anforderungen der SELV-Spezifikation.

Anschluß des Netzkabels



Achtung – Sun-Produkte sind für den Betrieb an Einphasen-Stromnetzen mit geerdetem Nulleiter vorgesehen. Um die Stromschlaggefahr zu reduzieren, schließen Sie Sun-Produkte nicht an andere Stromquellen an. Ihr Betriebsleiter oder ein qualifizierter Elektriker kann Ihnen die Daten zur Stromversorgung in Ihrem Gebäude geben.



Achtung – Nicht alle Netzkabel haben die gleichen Nennwerte. Herkömmliche, im Haushalt verwendete Verlängerungskabel besitzen keinen Überlastungsschutz und sind daher für Computersysteme nicht geeignet.



Achtung – Ihr Sun-Gerät wird mit einem dreiadrigen Netzkabel für geerdete Netzsteckdosen geliefert. Um die Gefahr eines Stromschlags zu reduzieren, schließen Sie das Kabel nur an eine fachgerecht verlegte, geerdete Steckdose an.

Lithiumbatterie



Achtung – CPU-Karten von Sun verfügen über eine Echtzeituhr mit integrierter Lithiumbatterie (Teile-Nr. MK48T59Y, MK48TXXB-XX, MK48T18-XXXPCZ, M48T59W-XXXPCZ, oder MK48T08). Diese Batterie darf nur von einem qualifizierten Servicetechniker ausgewechselt werden, da sie bei falscher Handhabung explodieren kann. Werfen Sie die Batterie nicht ins Feuer. Versuchen Sie auf keinen Fall, die Batterie auszubauen oder wiederaufzuladen.

Gehäuseabdeckung

Sie müssen die obere Abdeckung Ihres Sun-Systems entfernen, um interne Komponenten wie Karten, Speicherchips oder Massenspeicher hinzuzufügen. Bringen Sie die obere Gehäuseabdeckung wieder an, bevor Sie Ihr System einschalten.



Achtung – Bei Betrieb des Systems ohne obere Abdeckung besteht die Gefahr von Stromschlag und Systemschäden.

Einhaltung der Richtlinien für Laser

Sun-Produkte, die mit Laser-Technologie arbeiten, entsprechen den Anforderungen der Laser Klasse 1.

Class 1 Laser Product
Luokan 1 Laserlaite
Klasse 1 Laser Apparat
Laser Klasse 1

CD-ROM oder DVD-ROM



Achtung – Die Verwendung von anderen Steuerungen und Einstellungen oder die Durchführung von Prozeduren, die von den hier beschriebenen abweichen, können gefährliche Strahlungen zur Folge haben.

Normativas de seguridad

El siguiente texto incluye las medidas de seguridad que se deben seguir cuando se instale algún producto de Sun Microsystems.

Precauciones de seguridad

Para su protección observe las siguientes medidas de seguridad cuando manipule su equipo:

- Siga todas los avisos e instrucciones marcados en el equipo.
- Asegúrese de que el voltaje y la frecuencia de la red eléctrica concuerdan con las descritas en las etiquetas de especificaciones eléctricas del equipo.
- No introduzca nunca objetos de ningún tipo a través de los orificios del equipo. Pueden haber voltajes peligrosos. Los objetos extraños conductores de la electricidad pueden producir cortocircuitos que provoquen un incendio, descargas eléctricas o daños en el equipo.

Símbolos

En este libro aparecen los siguientes símbolos:



Precaución – Existe el riesgo de lesiones personales y daños al equipo. Siga las instrucciones.



Precaución – Superficie caliente. Evite el contacto. Las superficies están calientes y pueden causar daños personales si se tocan.



Precaución – Voltaje peligroso presente. Para reducir el riesgo de descarga y daños para la salud siga las instrucciones.

Modificaciones en el equipo

No realice modificaciones de tipo mecánico o eléctrico en el equipo. Sun Microsystems no se hace responsable del cumplimiento de las normativas de seguridad en los equipos Sun modificados.

Ubicación de un producto Sun



Precaución – Para asegurar la fiabilidad de funcionamiento de su producto Sun y para protegerlo de sobrecalentamientos no deben obstruirse o taparse las rejillas del equipo. Los productos Sun nunca deben situarse cerca de radiadores o de fuentes de calor.



Precaución – De acuerdo con la norma DIN 45 635, Parte 1000, se admite un nivel de presión acústica para puestos de trabajo máximo de 70Db(A).

Cumplimiento de la normativa SELV

El estado de la seguridad de las conexiones de entrada/salida cumple los requisitos de la normativa SELV.

Conexión del cable de alimentación eléctrica



Precaución – Los productos Sun están diseñados para trabajar en una red eléctrica monofásica con toma de tierra. Para reducir el riesgo de descarga eléctrica, no conecte los productos Sun a otro tipo de sistema de alimentación eléctrica. Póngase en contacto con el responsable de mantenimiento o con un electricista cualificado si no está seguro del sistema de alimentación eléctrica del que se dispone en su edificio.



Precaución – No todos los cables de alimentación eléctrica tienen la misma capacidad. Los cables de tipo doméstico no están provistos de protecciones contra sobrecargas y por tanto no son apropiados para su uso con computadores. No utilice alargadores de tipo doméstico para conectar sus productos Sun.



Precaución – Con el producto Sun se proporciona un cable de alimentación con toma de tierra. Para reducir el riesgo de descargas eléctricas conéctelo siempre a un enchufe con toma de tierra.

Batería de litio



Precaución – En las placas de CPU Sun hay una batería de litio insertada en el reloj de tiempo real, tipo SGS Núm. MK48T59Y, MK48TXXB-XX, MK48T18-XXXPCZ, M48T59W-XXXPCZ, o MK48T08. Las baterías no son elementos reemplazables por el propio cliente. Pueden explotar si se manipulan de forma errónea. No arroje las baterías al fuego. No las abra o intente recargarlas.

Tapa de la unidad del sistema

Debe quitar la tapa del sistema cuando sea necesario añadir tarjetas, memoria o dispositivos de almacenamiento internos. Asegúrese de cerrar la tapa superior antes de volver a encender el equipo.



Precaución – Es peligroso hacer funcionar los productos Sun sin la tapa superior colocada. El hecho de no tener en cuenta esta precaución puede ocasionar daños personales o perjudicar el funcionamiento del equipo.

Aviso de cumplimiento con requisitos de láser

Los productos Sun que utilizan la tecnología de láser cumplen con los requisitos de láser de Clase 1.

Class 1 Laser Product
Luokan 1 Laserlaitte
Klasse 1 Laser Apparät
Laser Klasse 1

CD-ROM



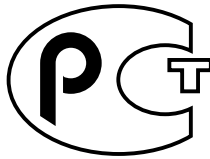
Precaución – El manejo de los controles, los ajustes o la ejecución de procedimientos distintos a los aquí especificados pueden exponer al usuario a radiaciones peligrosas.

Suomi



VAROITUS – Paristo voi räjähtää, jos se on virheellisesti asennettu. Vaihda paristo ainoastaan laitevalmistajan suosittelemaan tyyppiin. Hävitä käytetty paristo valmistajan ohjeiden mukaisesti.

GOST-R Certification Mark



Nordic Lithium Battery Cautions

Norge



ADVARSEL – Litiumbatteri —
Ekspløsjonsfare. Ved utskifting benyttes kun
batteri som anbefalt av apparatfabrikanten.
Brukt batteri returneres apparatleverandøren.

Sverige



VARNING – Explosionsfara vid felaktigt
batteribyte. Använd samma batterityp eller en
ekvivalent typ som rekommenderas av
apparattillverkaren. Kassera använt batteri
enligt fabrikantens instruktion.

Danmark



ADVARSEL! – Litiumbatteri —
Ekspløsjonsfare ved fejlagtig håndtering.
Udskiftning må kun ske med batteri af samme
fabrikat og type. Levér det brugte batteri
tilbage til leverandøren.

Preface

The *Sun Blade 1000 and Sun Blade 2000 Service Manual* provides a detailed description of the hardware components used in the Sun Blade™ 1000 and Sun Blade 2000 workstations. This service manual includes information about the use, maintenance, troubleshooting, theory of operation, and product specifications for the workstations. This book is written for technicians, system administrators, authorized service providers (ASPs), and advanced computer system end users who have experience in troubleshooting and replacing hardware.

About the Multimedia Links in This Manual

Removal and replacement procedures for selected workstation components are illustrated with interactive multimedia audio and video instructions in the Sun Blade 1000 and Sun Blade 2000 ShowMe How™ multimedia documentation. This multimedia documentation is linked to the online version of this service manual. If necessary, when performing service procedures view any or all of the ShowMe How video clips located on the Sun Blade 1000 and Sun Blade 2000 Hardware Documentation CD-ROM.

How This Book Is Organized

This document is organized into chapters and appendixes as follows. A glossary and index are included.

Chapter 1 describes the major hardware components used in the workstations.

Chapter 2 describes the execution of individual tests to verify hardware configuration and functionality using SunVTS™.

Chapter 3 describes the execution of the Power On Self Test (POST) and provides examples of POST output patterns.

Chapter 4 provides troubleshooting information and suggested corrective actions for hardware problems.

Chapter 5 explains how to prepare for removal and replacement of workstation components.

Chapter 6 provides step-by-step procedures for removing and replacing major subassemblies.

Chapter 7 provides step-by-step procedures for removing and replacing workstation storage devices.

Chapter 8 provides step-by-step procedures for removing and replacing the motherboard and various components associated with the motherboard.

Chapter 9 describes the tasks you must do after you finish removing and replacing internal workstation components. This chapter also explains how to externally control standby operation.

Chapter 10 explains the OpenBoot™ Emergency Procedures for standard (non-USB) keyboards and for USB type keyboards.

Appendix A provides product, physical, electrical, Energy Star® compliance, and environmental specifications for the workstations.

Appendix B provides signal descriptions and connector pin assignments.

Appendix C provides a functional description of the major component systems within the Sun Blade 1000 and Sun Blade 2000 workstations.

Appendix D describes the interaction of the USB mouse, USB keyboard, and USB power management with the Sun Blade 1000 and Sun Blade 2000 workstations.

UNIX Commands

This document may not contain information on basic UNIX® commands and procedures such as shutting down the workstation, booting the workstation, and configuring devices.

See one or more of the following for this information:

- *Solaris Handbook for Sun Peripherals*
- AnswerBook2™ online documentation for the Solaris™ software environment
- Other software documentation that you received with your workstation

Typographic Conventions

Typeface or Symbol	Meaning	Examples
AaBbCc123	The names of commands, files, and directories; on-screen computer output.	Edit your <code>.login</code> file. Use <code>ls -a</code> to list all files. % You have mail.
AaBbCc123	What you type, when contrasted with on-screen computer output.	% su Password:
<i>AaBbCc123</i>	Book titles, new words or terms, words to be emphasized. Command-line variable; replace with a real name or value.	Read Chapter 6 in the <i>User's Guide</i> . These are called <i>class</i> options. You <i>must</i> be <code>root</code> to do this. To delete a file, type <code>rm filename</code> .

Shell Prompts

Shell	Prompt
C shell	<i>machine_name%</i>
C shell superuser	<i>machine_name#</i>
Bourne shell and Korn shell	\$
Bourne shell and Korn shell superuser	#

Related Documentation

Application	Title	Part Number
Configuration	<i>Solaris Handbook for Sun Peripherals</i>	805-7404
Configuration	Solaris 8.x Sun Hardware Platform Guide	1
Diagnostics	<i>SunVTS 4.x User's Guide</i>	1
Diagnostics	<i>SunVTS 4.x Quick Reference Card</i>	1
Diagnostics	<i>SunVTS 4.x Test Reference Manual</i>	1
Installation	<i>14-Gbyte, 8-mm Tape Drive Installation Manual</i>	802-1849
Installation	<i>Elite 3D Installation Guide</i>	805-4391
Installation	<i>Creator Frame Buffer Installation Guide</i>	802-6682
Installation	<i>Sun PGX32™ PCI Graphics Card Installation Guide</i>	805-7770
Installation/User	<i>12-24 Gbyte 4-mm DDS-3 Tape Drive Installation and User's Guide</i>	802-7791
Installation	<i>Sun Blade 1000 and Sun Blade 2000 Rackmount Installation Guide</i>	805-7959
Installation/user	<i>Sun StorEdge™ CD32 Installation and User's Guide</i>	805-4237

Application	Title	Part Number
Specification	<i>Manual Eject Diskette Drive Specifications</i>	805-1133
Specification	<i>18 GB 10K rpm Disk Drive Specifications</i>	806-1057
Specification	<i>36 GB 10K rpm Disk Drive Specifications</i>	806-4799
Specification	<i>73 GB 10K rpm Disk Drive Specifications</i>	816-1133
Specification	<i>8-mm Tape Drive Specifications</i>	802-5775
Specification	<i>4-mm, DDS-2 Tape Drive Specifications</i>	802-7790
User	<i>21-Inch Premium (19.8-inch Viewable) Color Monitor Guide</i>	875-1844
User	<i>24-Inch Premium (22.5-inch Viewable) Color Monitor Guide</i>	875-1799
User	<i>14-Gbyte, 8-mm Tape Drive User's Guide</i>	802-1850

1. Dependent upon the version of the Solaris operating environment installed on your workstation.

Accessing Sun Documentation Online

The `docs.sun.com`SM web site enables you to access Sun technical documentation on the Web. You can browse the `docs.sun.com` archive or search for a specific book title or subject at:

<http://docs.sun.com>

Sun Welcomes Your Comments

We are interested in improving our documentation and welcome your comments and suggestions. You can e-mail your comments to us at:

docfeedback@sun.com

Please include the part number (816-3217-10) of your document in the subject line of your e-mail.

Product Description

This chapter contains an overview of the Sun Blade 1000 and Sun Blade 2000 workstations. This product description includes a product overview and a list of replaceable components for the workstation.

- Section 1.1, “Product Overview” on page 1-1
- Section 1.2, “Replaceable Components” on page 1-8

1.1 Product Overview

The Sun Blade 1000 and Sun Blade 2000 workstations are single or dual processor workstations that use either the UltraSPARC™ III or the UltraSPARC III Cu central processing units (see Section 8.1, “UltraSPARC III CPU Module” on page 8-2 for additional information). Both workstations offer super-scalar processor technology, multiprocessing capability, high-performance memory interconnections, high-bandwidth input/outputs, and accelerated graphics.

TABLE 1-1 is a product overview and summary of the Sun Blade 1000 and Sun Blade 2000 standard features and options.

TABLE 1-1 Sun Blade 1000 and Sun Blade 2000 Product Features and Options

	Sun Blade 1000	Sun Blade 2000
Processors	1 or 2 UltraSPARC III central processing units (CPUs)	1 or 2 UltraSPARC III Cu central processing units (CPUs)
Processor cache	4 MB external cache for 600 MHz processors 8 MB external cache for 750 and 900 MHz processors	8 MB external cache for 1015 and 1050 MHz processors
Memory	512 MB SDRAM (Min.) 8GB SDRAM (Max.) 60 ns ECC error correction 8 DIMM slots	512 MB SDRAM (Min.) 8GB SDRAM (Max.) 60 ns ECC error correction 8 DIMM slots
Audio interface	1-line in, 1-line out, 1-microphone in, 1-speaker out	1-line in, 1-line out, 1-microphone in, 1-speaker out
Expansion bus	4-Peripheral Component Interconnect (PCI) slots; 3-64 bit @ 33 MHz, 1-64bit @ 64 MHz	4-Peripheral Component Interconnect (PCI) slots; 3-64 bit @ 33 MHz, 1-64bit @ 64 MHz
Firewire	2-IEEE 1394 serial port connectors	2-IEEE 1394 serial port connectors
Graphics	2-UPA64S slots, providing graphics support for the Sun Creator 3D Series 3, Sun Expert3D, Sun Elite 3D m3, Sun Elite 3D m6, and Sun XV-500 graphics cards	2-UPA64S slots, providing graphics support for the Sun Creator 3D Series 3, Sun Expert3D, Sun Elite 3D m3, Sun Elite 3D m6, and Sun XV-500 graphics cards
Network	1-Ethernet/Fast Ethernet 10/100 Base-T Twisted Pair Ethernet (TPE) connector	1-Ethernet/Fast Ethernet 10/100 Base-T Twisted Pair Ethernet (TPE) connector
FC-AL	1-Fiber Channel-Arbitrated Loop (FC-AL) copper connector for mass storage	1-Fiber Channel-Arbitrated Loop (FC-AL) copper connector for mass storage
Parallel port	1-DB25 parallel port connector	1-DB25 parallel port connector
SCSI	1-Ultra-wide SCSI connector	1-Ultra-wide SCSI connector

TABLE 1-1 Sun Blade 1000 and Sun Blade 2000 Product Features and Options

	Sun Blade 1000	Sun Blade 2000
Serial ports	2-RS232C/RS423 serial ports, 384K baud synchronous or 460.8K baud asynchronous	2-RS232C/RS423 serial ports, 384K baud synchronous or 460.8K baud asynchronous
Universal Serial Bus (USB)	4-USB connectors, 12Mb/sec.	4-USB connectors, 12Mb/sec.
Hard drive	2-FC-AL, 10,000 RPM, internal 3.5 inch hard drives; 18, 36, or 73GB	2-FC-AL, 10,000 RPM, internal 3.5 inch hard drives; 18, 36, or 73GB
Diskette drive	1-1.44 MB triple density, manual eject, diskette drive	1-1.44 MB triple density, manual eject, diskette drive
Smart card reader	1-Smart card reader v1 or v2	1-Smart card reader v2
DVD-ROM drive	1-Optional 4x speed DVD-ROM drive	1-Optional 4x speed DVD-ROM drive
Tape drive	1-Optional 4mm tape drive	1-Optional 4mm tape drive
Pre-installed software	Solaris 8 10/00 ¹	Solaris 8 10/01 ¹
Video Monitors	17, 18, 21, and 24 inch monitors — resolutions from 960x680 to 1920x1200. Refresh rates from 60 Hz to 112 Hz.	17, 18, 21, and 24 inch monitors — resolutions from 960x680 to 1920x1200. Refresh rates from 60 Hz to 112 Hz.

1. First version of the Solaris operating environment that supports the Sun Blade 1000 or Sun Blade 2000 workstations. Always check the Sun web site for the latest compatible operating environment, firmware, and software updates

1.1.1 External Components

Use FIGURE 1-1, FIGURE 1-2, and FIGURE 1-3 to locate and identify the major external components of the Sun Blade 1000 and Sun Blade 2000 workstations.

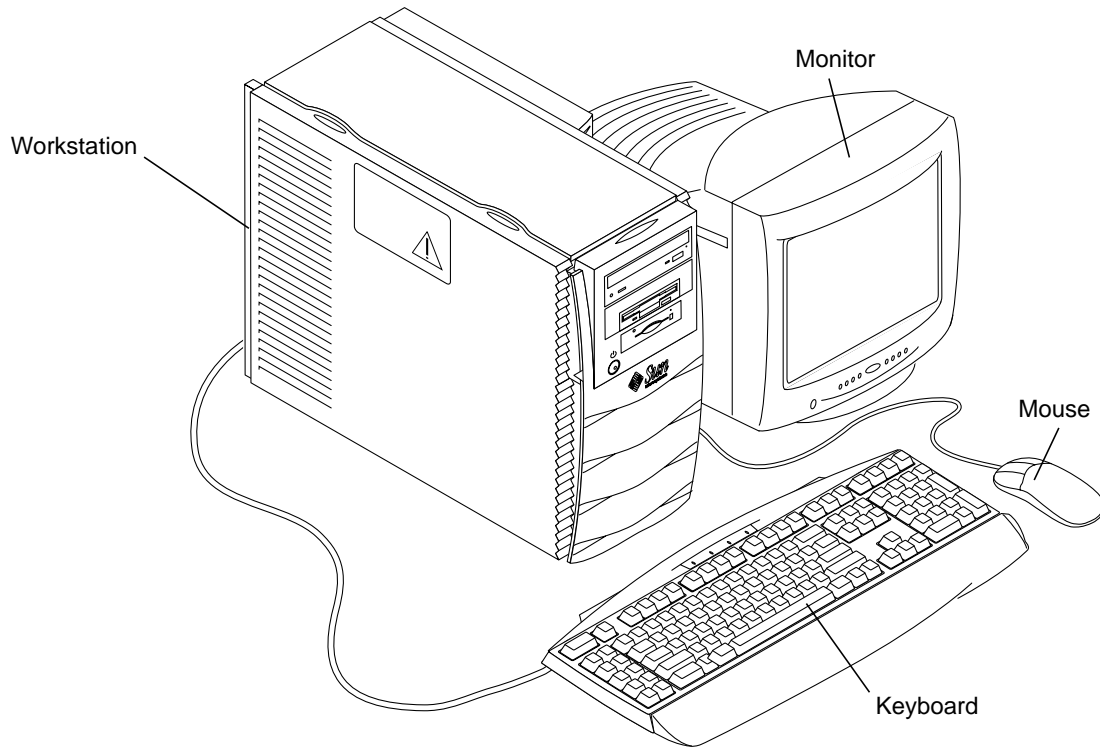


FIGURE 1-1 Sun Blade 1000 and Sun Blade 2000 Workstation, Monitor, Keyboard, and Mouse

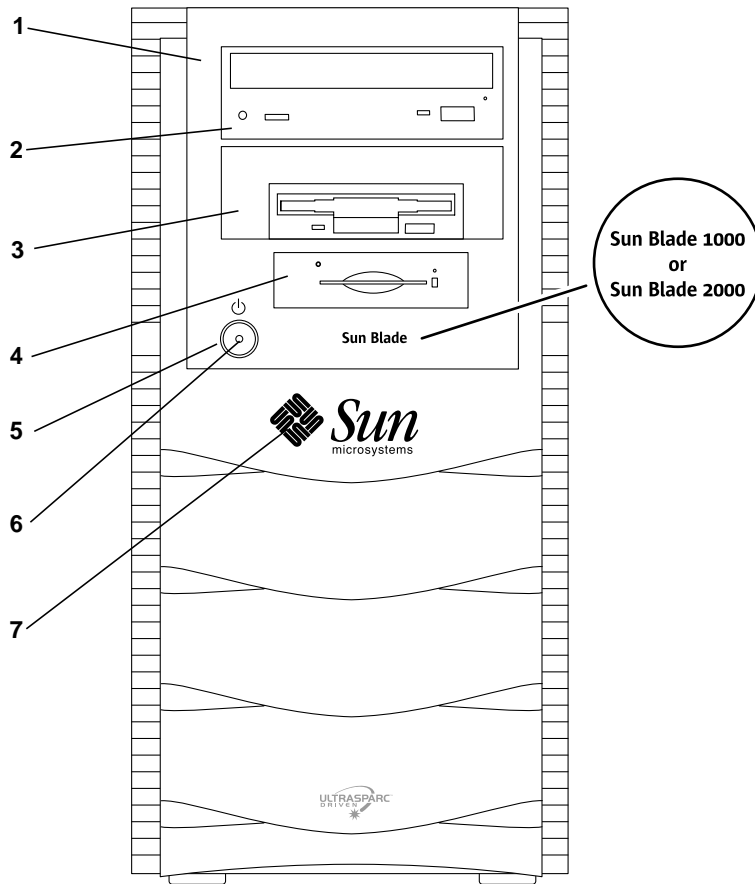


FIGURE 1-2 Front Panel Overview — Sun Blade 1000 and Sun Blade 2000 Workstations

1. Peripheral bezel
2. 5.25-inch drive bay (optional DVD-ROM drive shown)
3. 5.25- or 3.5-inch drive bay (optional diskette drive shown)
4. Smart card reader
5. Power switch
6. Power indicator LED
7. Back-lit Sun logo

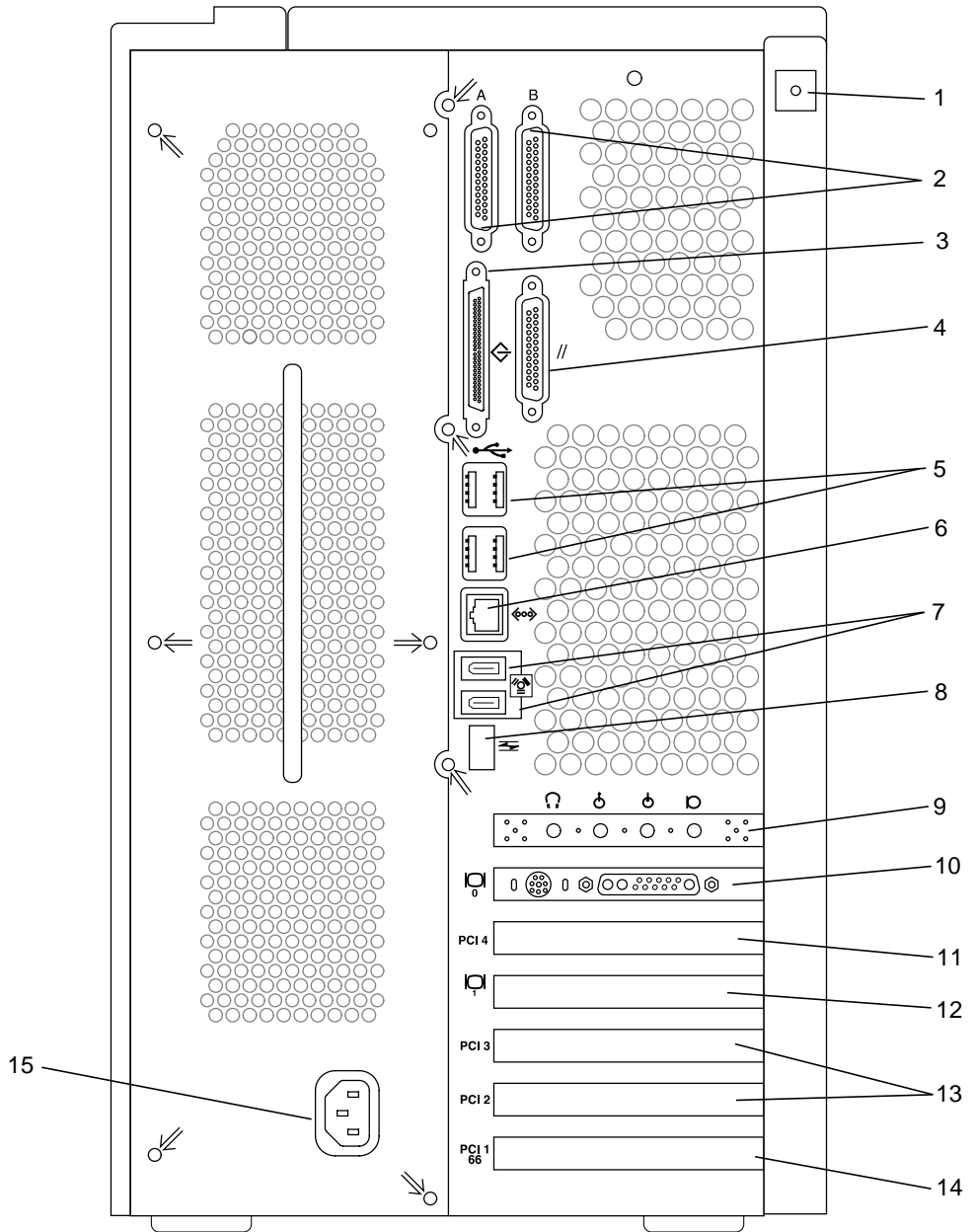


FIGURE 1-3 Back Panel Overview — Sun Blade 1000 and Sun Blade 2000 Workstations

TABLE 1-2 Back Panel Overview — Sun Blade 1000 and Sun Blade 2000 Workstations












Callout in Figure 1-3	Explanation	Back Panel Symbol
1	Access panel lock block	None
2	Serial connectors A and B, DB-25 (can support RS-423 and RS-232 protocols)	A B
3	SCSI connector (UltraSCSI, 68-pin)	
4	Parallel connector, DB-25	//
5	Universal serial bus (USB) connectors	
6	Twisted-pair Ethernet (TPE) connector	
7	IEEE 1394 connectors	
8	Fibre Channel-Arbitrated Loop (FC-AL) connector	
9	Audio module headphones connector	
9	Audio module line-in connector	
9	Audio module line-out connector	
9	Audio module microphone connector	
10	Graphics card/video connector (frame buffer 0)	
11	PCI card slot 4 (33 MHz)	PCI 4
12	Graphics card/video connector (frame buffer 1)	1 
13	PCI card slot 3 (33 MHz)	PCI 3

TABLE 1-2 Back Panel Overview — Sun Blade 1000 and Sun Blade 2000 Workstations

Callout in Figure 1-3	Explanation	Back Panel Symbol
13	PCI card slot 2 (33 MHz)	PCI 2
14	PCI card slot 1 (66 MHz)	PCI 1 66
15	Power connector	None

1.2 Replaceable Components

This section lists the authorized replaceable parts for the Sun Blade 1000 and Sun Blade 2000 workstations. TABLE 1-3 lists the replaceable components for both systems. FIGURE 1-4 is an exploded view of each of the listed components in TABLE 1-3.

Note – The replaceable components listed in TABLE 1-3 are correct as of the service manual publication date but are subject to change without notice. Consult your authorized Sun sales representative or service provider to confirm a part number prior to ordering a replacement part.

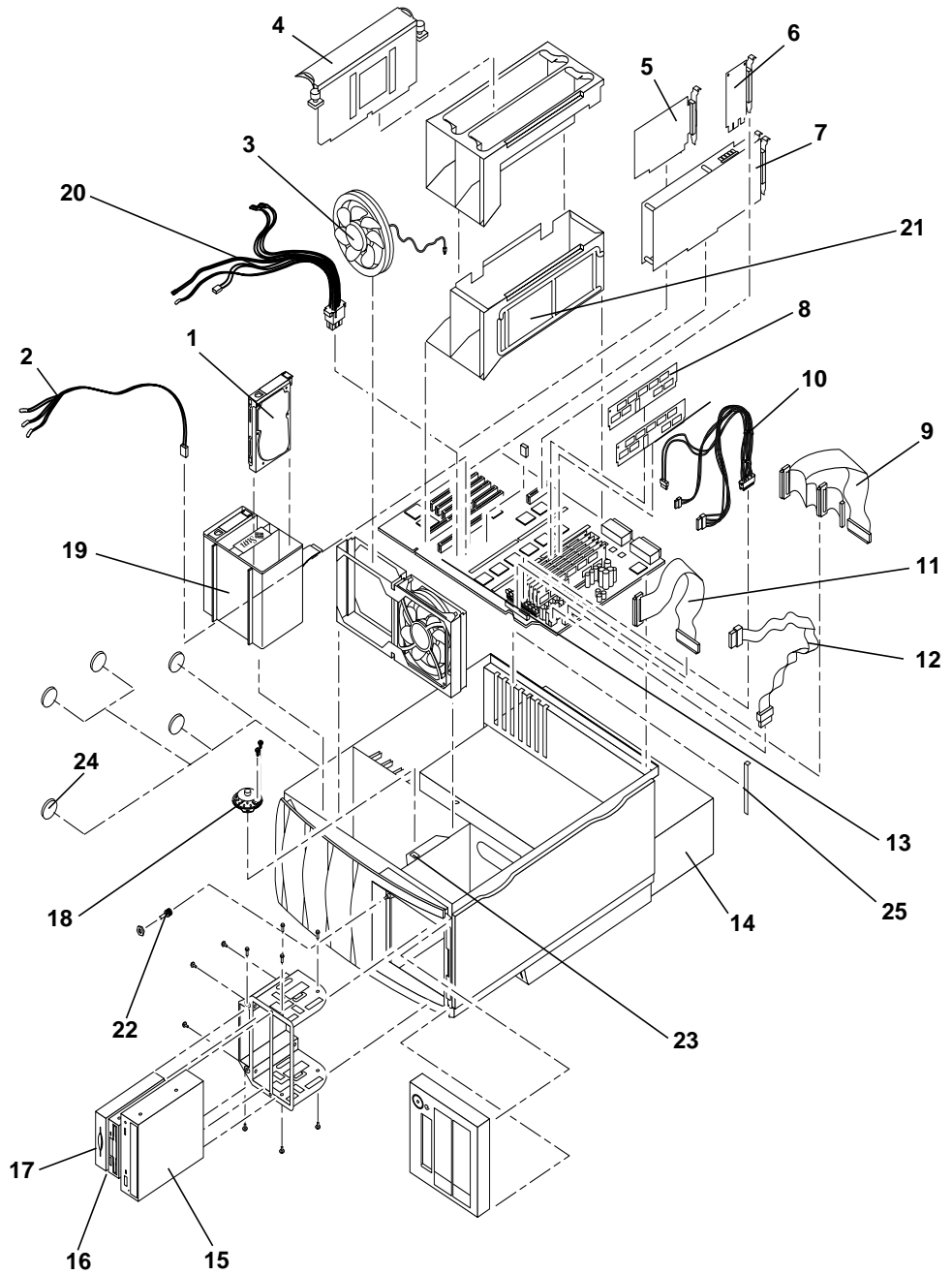


FIGURE 1-4 Exploded View — Sun Blade 1000 and Sun Blade 2000 Workstations

TABLE 1-3 Replaceable Components

Ref. No.	Component	Description
1	Hard drive, 18 GB ¹	18-GB, 10000 RPM hard drive
1	Hard drive, 36 GB ¹	36-GB, 10000 RPM hard drive
1	Hard drive, 73 GB ¹	73-GB, 10000 RPM hard drive
2	Logo LED cable assembly	Cable for logo LED
3	Fan	12 VDC variable speed fan
4	600 MHz/4 MB CPU module	600 MHz UltraSPARC III CPU module
4	750 MHz/8 MB CPU module	750 MHz UltraSPARC III CPU module
4	900 MHz/8 MB CPU module ¹	900 MHz UltraSPARC III CPU module
4	1015 MHz/8 MB Cu CPU module ¹	1015 MHz UltraSPARC III Cu CPU module
4	1050 MHz/8MB Cu CPU module	1050 MHz UltraSPARC III Cu CPU module
5	PCI card ¹	PGX32, 24-bit PCI card
6	Audio module assembly	Audio applications, 16-bit audio, 8 Hz to 48 kHz
7	Graphics card ¹	Sun Creator 3D Series 3 graphics card
7	Graphics card ¹	Sun Expert3D graphics card
7	Graphics card ¹	Sun XVR-500 graphics card
7	Graphics card ¹	Sun XVR-1000 graphics card
7	m3 graphics card ¹	Sun Elite 3D m3 graphics card
7	m6 graphics card ¹	Sun Elite 3D m6 graphics card
8	128 Mbyte DIMM ¹	128 Mbyte DIMM
8	256 Mbyte DIMM ¹	256 Mbyte DIMM
8	512 Mbyte DIMM ¹	512 Mbyte DIMM
8	1 GB DIMM ¹	1 GB DIMM
9	SCSI cable assembly	Internal SCSI cable for removable bay
10	Peripheral power cable assembly	DC power cable assembly
11	Diskette drive cable assembly ¹	Diskette drive cable assembly
12	Smart card cable	20 inch, 10-pin, I2C cable

TABLE 1-3 Replaceable Components (*Continued*)

Ref. No.	Component	Description
13	Motherboard assembly	System board
14	Power supply assembly	Power supply, 670 watts
15	DVD-ROM drive ¹	DVD-ROM drive
16	Manual eject floppy assembly ¹	Diskette drive
17	Smart card reader	Smart card reader assembly
18	Speaker assembly	16 ohm speaker
19	FC-AL backplane assembly	Provides interface between hard drive(s) and motherboard
20	Combined cable assembly	Cable harness for the power switch, interlock, power indicator LED and speaker
21	CPU Shroud	
22	Power switch	Provides main power to workstation
23	Interlock switch	Provides power interlock
24	Chassis feet	Kit, 5 per box (part of no., 560-2525, Ultra™ 30/60/80 accessory kit)
25	PCI filler panel	PCI filler panel (part of no., 560-2525, Ultra 30/60/80 accessory kit)
Not illustrated	FC-AL backplane assembly w/cable	Includes FC-AL cable
Not illustrated	FC-AL cage assembly	Drive cage, backplane, and cable
Not illustrated	TPE cable (category 5)	Twisted-pair Ethernet cable

1. These are optional components. They may or may not be part of your workstation.

SunVTS Overview

This chapter contains an overview of the SunVTS diagnostic tool. The SunVTS diagnostic tool should be used to validate workstation operation during development, production, inspection, troubleshooting, periodic maintenance, and subsystem stressing.

This chapter contains the following topics:

- Section 2.1, “SunVTS Description” on page 2-1
- Section 2.1.1, “SunVTS Requirements” on page 2-2
- Section 2.1.2, “SunVTS References” on page 2-2

2.1 SunVTS Description

SunVTS is the Sun online Validation Test Suite. SunVTS is a comprehensive software diagnostic package that tests and validates hardware by verifying the connectivity and functionality of most hardware controllers, devices, and platforms.

SunVTS can be tailored to run on various types of systems ranging from desktops to servers with many customizable features to meet the varying requirements of many diagnostic situations.

SunVTS executes multiple diagnostic tests from one graphical user interface (GUI) that provides test configuration and status monitoring. The user interface can run in the CDE or OPEN LOOK environments or through a TTY-mode interface for situations when running a GUI is not possible.

The SunVTS interface can run on one workstation to display the SunVTS test session of another workstation on the network.

SunVTS is distributed with each SPARC™ or Solaris™ release. It is located on the Sun Computer Systems Supplement CD.

2.1.1 SunVTS Requirements

Your workstation must meet the following requirements to run SunVTS:

- The SunVTS packages must be installed. The main package is `SUNWvts`. There are additional supporting packages that differ based on the revision of the Solaris operating environment that is installed. For specific details, refer to the corresponding SunVTS documentation.
- The workstation must be booted to the multiuser level (level 3).
- To run SunVTS with a GUI, that GUI must be installed. Otherwise, run SunVTS with the TTY-mode interface.

2.1.2 SunVTS References

To find out more information about using SunVTS, refer to the SunVTS documentation that corresponds to the Solaris release that you are running.

The SunVTS documents are part of the Solaris on Sun Hardware AnswerBook™ collection. This AnswerBook collection is pre installed on the hard disk of new systems. It is also distributed on the Software Supplement CD that is part of each Solaris Media Kit release and is also accessible at <http://docs.sun.com>.

The following list describes the contents of each SunVTS document:

- *SunVTS User's Guide* describes how to install, configure, and run the SunVTS diagnostic software.
- *SunVTS Quick Reference Card* provides an overview of how to use the SunVTS CDE interface.
- *SunVTS Test Reference Manual* provides details about each individual SunVTS test.

Power On Self-Test

This chapter describes how to initiate power on self-test (POST) diagnostics. POST is a firmware program used to determine workstation failures. POST verifies the core functionality of the workstation, including operation of the CPU module(s), motherboard, memory, and some on-board I/O devices. POST can be run even if the workstation is unable to boot.

This chapter contains the following topics:

- Section 3.1, “POST Overview” on page 3-1
- Section 3.2, “Pre-POST Preparation” on page 3-2
- Section 3.3, “Setting Up POST to Run in an OpenBoot PROM Environment” on page 3-4
- Section 3.4, “Maximum and Minimum Levels of POST” on page 3-5

3.1 POST Overview

POST detects most workstation faults and is located in the motherboard OpenBoot PROM. POST is invoked optionally at power up by the OpenBoot program, and depends on the setting of two environment variables; `diag-switch?` and `diag-level`. The values for `diag-switch?` and `diag-level` are stored in nonvolatile RAM (NVRAM).

Note – POST diagnostic and error message reports are displayed on a console terminal.

3.1.1 How to Use POST

When the workstation power is applied, POST runs automatically if both of the following conditions apply:

- The `diag-switch?` NVRAM parameter is set to `true`.
- The `diag-level` is set to `min` or `max`.

In the event of an automatic workstation reset, POST runs if the `diag-switch?` NVRAM parameter is set to `true` and the `diag-level` flag is set to either `max` or `min`.

Note – If the `diag-switch = false`, POST is disabled. If `diag-switch = true` and `diag-level = max`, then POST runs in `max` mode. If `diag-switch = true` and `diag-level = min`, then POST runs in `min` mode.

3.2 Pre-POST Preparation

Pre-POST preparation includes:

- Setting up a terminal interface processor (TIP) connection to another workstation or terminal to view POST progress and error messages. See Section 3.2.1, “Setting Up a TIP Connection” on page 3-2.
- Verifying baud rates between a workstation and a monitor or a workstation and a terminal. See Section 3.2.2, “Verifying the Baud Rate” on page 3-4.

3.2.1 Setting Up a TIP Connection

A TIP connection enables a remote terminal window to be used as a terminal to display workstation test data. Serial port A of a tested workstation is used to establish the TIP connection between the workstation being tested and another Sun workstation monitor or TTY-type terminal. The TIP connection is used in a terminal window and provides features to help with the OpenBoot program.

To set up a TIP connection:

1. **Connect serial port A of the workstation being tested to serial port B of another Sun system using a serial null modem cable (connect cable pins 2-3, 3-2, 7-20, and 20-7).**

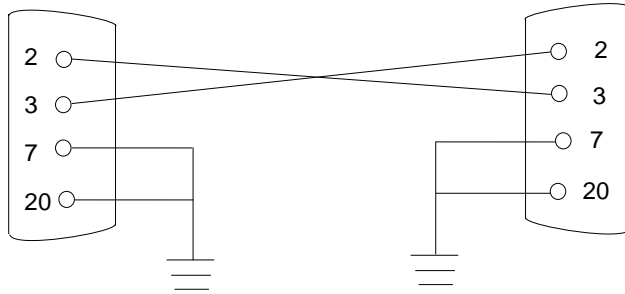


FIGURE 3-1 Setting Up a TIP Connection

2. At the other Sun system, check the `/etc/remote` file by changing to the `/etc` directory and then editing the `remote` file:

```
hardware:\
:dv=/dev/term/b:br#9600:e1=^C^S^Q^U^D:ie=%$:oe=^D:
```

Note – The example shows connection to serial port B of the other Sun system.

3. To use serial port A instead:
 - a. Modify the `/etc/remote` file as follows:

```
hardware:\
:dv=/dev/term/a:br#9600:e1=^C^S^Q^U^D:ie=%$:oe=^D:
```

4. In a shell (terminal) window on the Sun system, type `tip hardware`.

```
hostname% tip hardware
connected
```

Note – The shell (terminal) window is now a TIP window directed to the serial port of the workstation being tested. When power is applied to the workstation being tested, POST messages will be displayed in this window.

5. When POST is completed, disconnect the TIP window as follows:
 - a. Open a terminal window.

- b. Type `ps -a` to view the active TIP line and process ID (PID) number.
- c. Type the following to kill the TIP hardware process.

```
% kill -9 PID#
```

3.2.2 Verifying the Baud Rate

To verify the baud rate between the workstation being tested and a terminal or another Sun workstation monitor:

1. Open a terminal window.
2. Type `eeprom`
3. Verify the following serial port default settings as follows:

```
ttyb-mode = 9600,8,n,1,-  
ttya-mode = 9600,8,n,1,-
```

Note – Ensure that the settings are consistent with TTY-type terminal or system monitor settings.

3.3 Setting Up POST to Run in an OpenBoot PROM Environment

To run POST perform the following procedure:

- Set the `diag-switch?` to `true` and the `diag-level` to `max` or `min`.
- Power cycle the workstation.

Note – The default setting is `min`. See Section 3.4, “Maximum and Minimum Levels of POST” on page 3-5 below to set POST to the `min` mode.

To set the `diag-switch?` to `true`:

1. At the system prompt, type:

```
ok setenv diag-switch? true
ok setenv diag-level = min, max, menus
```

Note – At the system prompt, type: `ok setenv diag-level = "min" or "max" or "menus"` Do not type "min", "max" and "menus".

2. Press the power switch briefly to power cycle the workstation.

3.4 Maximum and Minimum Levels of POST

Two levels of POST are available, maximum (max) level and minimum (min) level. The workstation initiates the selected level of POST based on the setting of `diag-level`, an NVRAM variable.

Multiple CPU configurations combined with the amount of installed memory affects the time required to complete POST. The following table lists the approximate amount of time required to complete the POST. These approximate POST completion times are based on 2.0 GB of DIMM memory installed with the `diag-level` variable set to max or the `diag-level` variable set to min. The approximate POST completion times also vary with the number of CPUs configured to the system.

TABLE 3-1 Approximate POST Completion Times

CPU Configuration	Amount Of DIMM Memory	diag-level	
		max setting	min setting
2-way	2.0 GB	20 - 30 minutes	3 - 4 minutes
Single	2.0 GB	20 - 30 minutes	3 - 4 minutes

The default setting for `diag-level` is max. Examples of the max-level POST output on serial port A is provided in Section 3.4.1, "diag-level Variable Set to max" on page 3-6". Examples of the min-level POST output on serial port A is provided in Section 3.4.2, "diag-level Variable Set to min" on page 3-30.

To set the `diag-level` variable to `min`, type:

```
ok setenv diag-level min
```

To return to the default setting type:

```
ok setenv diag-level max
```

3.4.1 `diag-level` Variable Set to `max`

When the `diag-level` variable is set to `max`, POST enables an extended set of diagnostic-level tests. The following code examples identify typical serial port A POST output with the `diag-level` variable set to `max` for 2-way and single CPU configurations:

- `diag-level` variable set to `max` (2-way CPU) — CODE EXAMPLE 3-1
- `diag-level` variable set to `max` (single CPU) — CODE EXAMPLE 3-2

Note – The following POST examples are executed with 750 MHz CPUs and 512 MB of memory.

CODE EXAMPLE 3-1 diag-level Variable Set to max (2-Way CPU) (1 of 15)

```
@(#) 4.0 Version 28 created 2000/06/27 18:05
Clearing TLBs Done
Power-On Reset
Executing Power On SelfTest
{0}@(#)POST, v4.1.1 06/30/2000 02:15 PM
                                     {1}
{0}* Test CPU present
                                     {1}@(#)POST, v4.1.1 06/30/2000 02:15 PM
                                     {1}* Test CPU present
{0}Soft POR to the whole system
                                     {1}Soft POR to the whole system
{0}* Configure I2C controller 0
{0}* Configure I2C controller 1
{0}* I2C Controller Loopback Test
{0}* Read JTag IDs of all ASICs
{0}   BBC      JTag ID: 1483203b
{0}   SCSI     JTag ID: 15060045
{0}   I chip   JTag ID: d1e203b
{0}   RIO      JTag ID: 3e5d03b
{0}   Schizo   JTag ID: 1024c06d
{0}   CPMS     JTag ID: 1142903b
{0}   CPMS     JTag ID: 1142903b
{0}   CPMS     JTag ID: 1142903b
{0}   CPMS     JTag ID: 1142903b
{0}   CPMS     JTag ID: 1142903b
{0}   CPMS     JTag ID: 1142903b
{0}* Probing Seeprom on DIMMs and CPU modules
{0}WARNING: DIMM 0 missing
{0}WARNING: DIMM 2 missing
{0}WARNING: DIMM 4 missing
{0}WARNING: DIMM 6 missing
{0}CPU0 Sensor package temperature 32 oC
{0}CPU1 Sensor package temperature 29 oC
{0}WARNING: Temperature sensor on UPA0 missing
{0}WARNING: Temperature sensor on UPA1 missing
{0}Smart card reader present
{0}* Read parameters from seeproms
{0}                                     Size/bank(MB)           Number of banks
{0}DIMM 0:                             0                       0
{0}DIMM 1:                             64                      2
{0}DIMM 2:                             0                       0
{0}DIMM 3:                             64                      2
{0}DIMM 4:                             0                       0
```

CODE EXAMPLE 3-1 diag-level Variable Set to max (2-Way CPU) (2 of 15)

```
{0}DIMM 5:          64                2
{0}DIMM 6:          0                0
{0}DIMM 7:          64                2
{0}Bank 0 not present, size = 00000000.00000000
{0}Bank 1 is present, size = 00000000.10000000
{0}Bank 2 not present, size = 00000000.00000000
{0}Bank 3 not present, size = 00000000.10000000
{0}* Setup CPUs and system frequency
{0}CPU 0 ratio: 5
{0}CPU 1 ratio: 4
{0}System frequency: 150 MHz
{0}* Load PLL and reset
           {1}
{0}
{0}PLL reset
           {1}PLL reset
{0}* Configure I2C controller 0
           {1}* SoftInt & Interrupt
{0}* Configure I2C controller 1
           {1}Test walking 1 through softint register
{0}* SoftInt & Interrupt
           {1}Test walking 0 through softint register
{0}Test walking 1 through softint register
           {1}Verify interrupt occurs for each level
{0}Test walking 0 through softint register
           {1}Verify interrupt occurs at the right PIL
{0}Verify interrupt occurs for each level
           {1}* Tick & Tick-Compare Reg
{0}Verify interrupt occurs at the right PIL
           {1}Walk 1/0 TICK Compare register
{0}* Tick & Tick-Compare Reg
           {1}Verify TICK register is counting
{0}Walk 1/0 TICK Compare register
           {1}Verify TICK register Overflow
{0}Verify TICK register is counting
           {1}Verify TICK Interrupt
{0}Verify TICK register Overflow
{0}Verify TICK Interrupt
           {1}* Stick & Stick-Compare Reg
           {1}Walk 1/0 STICK Compare register
{0}* Stick & Stick-Compare Reg
           {1}Verify STICK register is counting
{0}Walk 1/0 STICK Compare register
           {1}Verify STICK register Overflow
{0}Verify STICK register is counting
           {1}Verify STICK Interrupt
```

CODE EXAMPLE 3-1 diag-level Variable Set to max (2-Way CPU) (3 of 15)

```
{0}Verify STICK register Overflow
{0}Verify STICK Interrupt
      {1}* Measure CPU Clock
{0}* Measure CPU Clock
{0}AFT pin is high
{0}Setup Memory Controller
{0}* IMMU Registers
      {1}* IMMU Registers
{0}Testing I-TSB
      {1}Testing I-TSB
{0}Test walking 1 through the register
      {1}Test walking 1 through the register
{0}Test walking 0 through the register
      {1}Test walking 0 through the register
{0}Testing I-TLB Tag Access
      {1}Testing I-TLB Tag Access
{0}Test walking 1 through the register
      {1}Test walking 1 through the register
{0}Test walking 0 through the register
      {1}Test walking 0 through the register
{0}* DMMU Registers
      {1}* DMMU Registers
{0}Testing Primary Context
      {1}Testing Primary Context
{0}Test walking 1 through the register
      {1}Test walking 1 through the register
{0}Testing Secondary Context
      {1}Testing Secondary Context
{0}Test walking 1 through the register
      {1}Test walking 1 through the register
{0}Testing D-TSB
      {1}Testing D-TSB
{0}Test walking 1 through the register
      {1}Test walking 1 through the register
{0}Testing D-TLB Tag Access
      {1}Testing D-TLB Tag Access
{0}Test walking 1 through the register
      {1}Test walking 1 through the register
{0}Testing Virtual Watchpoint
      {1}Testing Virtual Watchpoint
{0}Test walking 1 through the register
      {1}Test walking 1 through the register
{0}Testing Physical Watchpoint
      {1}Testing Physical Watchpoint
```

CODE EXAMPLE 3-1 diag-level Variable Set to max (2-Way CPU) (4 of 15)

```
{0}Test walking 1 through the register
      {1}Test walking 1 through the register
{0}* 4M DTLB RAM
      {1}* 4M DTLB RAM
{0}Test address up
      {1}Test address up
{0}Test address down
      {1}Test address down
{0}Test cell disturbance
      {1}Test cell disturbance
{0}Test data reliability
      {1}Test data reliability
{0}Test address line transitions
      {1}Test address line transitions
{0}* 8K DTLB RAM
      {1}* 8K DTLB RAM
{0}Test address up
      {1}Test address up
{0}Test address down
      {1}Test address down
{0}Test cell disturbance
      {1}Test cell disturbance
{0}Test data reliability
      {1}Test data reliability
{0}Test address line transitions
      {1}Test address line transitions
{0}* 4M DTLB TAG
{0}Test address up
{0}Test address down
      {1}* 4M DTLB TAG
{0}Test cell disturbance
      {1}Test address up
{0}Test data reliability
      {1}Test address down
{0}Test address line transitions
      {1}Test cell disturbance
{0}* 8K DTLB TAG
      {1}Test data reliability
{0}Test address up
      {1}Test address line transitions
      {1}* 8K DTLB TAG
      {1}Test address up
{0}Test address down
      {1}Test address down
```


CODE EXAMPLE 3-1 diag-level Variable Set to max (2-Way CPU) (5 of 15)

```
{0}Test address line transitions
      {1}Test address line transitions
{0}* 4M ITLB RAM
{0}Test address up
{0}Test address down
{0}Test cell disturbance
      {1}* 4M ITLB RAM
{0}Test data reliability
      {1}Test address up
      {1}Test address down
{0}Test address line transitions
      {1}Test cell disturbance
{0}* 8K ITLB RAM
      {1}Test data reliability
{0}Test address up
      {1}Test address line transitions
{0}Test address down
      {1}* 8K ITLB RAM
      {1}Test address up
{0}Test cell disturbance
      {1}Test address down
      {1}Test cell disturbance
{0}Test data reliability
      {1}Test data reliability
{0}Test address line transitions
{0}* 4M ITLB TAG
      {1}Test address line transitions
{0}Test address up
{0}Test address down
      {1}* 4M ITLB TAG
{0}Test cell disturbance
      {1}Test address up
{0}Test data reliability
      {1}Test address down
      {1}Test cell disturbance
{0}Test address line transitions
      {1}Test data reliability
{0}* 8K ITLB TAG
{0}Test address up
      {1}Test address line transitions
{0}Test address down
      {1}* 8K ITLB TAG
      {1}Test address up
```

CODE EXAMPLE 3-1 diag-level Variable Set to max (2-Way CPU) (6 of 15)

```
{0}Test address line transitions
      {1}Test address down
{0}* IMMU Init
      {1}Test address line transitions
{0}* DMMU Init
      {1}* IMMU Init
{0}Mapping done. MMU enabled
      {1}* DMMU Init
{0}* Memory address selection Initial area
      {1}Mapping done. MMU enabled
      {1}* Memory address selection Initial area
{0}* Memory marching Initial area
      {1}* Memory marching Initial area
{0}* E-Cache Global Vars Init
{0}* E-Cache Quick Verification
      {1}* E-Cache Global Vars Init
      {1}* E-Cache Quick Verification
{0}* Ecache TAGS
{0}Test address up
      {1}* Ecache TAGS
      {1}Test address up
{0}Test address down
      {1}Test address down
{0}Test cell disturbance
      {1}Test cell disturbance
{0}Test data reliability
      {1}Test data reliability
{0}Test address line transitions
      {1}Test address line transitions
{0}* Ecache Address Line
      {1}* Ecache Address Line
{0}* Partial Ecache Init
      {1}* Partial Ecache Init
{0}* BBC E-Star Registers
{0}* I-Cache RAM
      {1}* I-Cache RAM
{0}Test address up
      {1}Test address up
{0}Test address down
      {1}Test address down
{0}Test cell disturbance
      {1}Test cell disturbance
{0}Test data reliability
      {1}Test data reliability
```

CODE EXAMPLE 3-1 diag-level Variable Set to max (2-Way CPU) (7 of 15)

```
{0}Test address line transitions
      {1}Test address line transitions
{0}* I-Cache TAGS
{0}Testing I-Cache Tag
{0}Test address up
      {1}* I-Cache TAGS
      {1}Testing I-Cache Tag
      {1}Test address up
{0}Test address down
      {1}Test address down
{0}Test cell disturbance
      {1}Test cell disturbance
{0}Test data reliability
      {1}Test data reliability
{0}Test address line transitions
      {1}Test address line transitions
{0}Testing I-Cache Micro Tag
{0}Test address up
      {1}Testing I-Cache Micro Tag
      {1}Test address up
{0}Test address down
      {1}Test address down
{0}Test cell disturbance
      {1}Test cell disturbance
{0}Test data reliability
      {1}Test data reliability
{0}Test address line transitions
      {1}Test address line transitions
{0}* I-Cache Snoop Tags
{0}Test address up
      {1}* I-Cache Snoop Tags
      {1}Test address up
{0}Test address down
      {1}Test address down
{0}Test cell disturbance
      {1}Test cell disturbance
{0}Test data reliability
      {1}Test data reliability
{0}Test address line transitions
      {1}Test address line transitions
{0}* I-Cache Init
      {1}* I-Cache Init
{0}* D-Cache RAM
```

CODE EXAMPLE 3-1 diag-level Variable Set to max (2-Way CPU) (8 of 15)

```
{0}Test address up
      {1}* D-Cache RAM
      {1}Test address up
{0}Test address down
      {1}Test address down
{0}Test cell disturbance
      {1}Test cell disturbance
{0}Test data reliability
      {1}Test data reliability
{0}Test address line transitions
      {1}Test address line transitions
{0}* D-Cache TAGS
{0}Test address up
      {1}* D-Cache TAGS
      {1}Test address up
{0}Test address down
      {1}Test address down
{0}Test cell disturbance
      {1}Test cell disturbance
{0}Test data reliability
      {1}Test data reliability
{0}Test address line transitions
      {1}Test address line transitions
{0}* D-Cache MicroTags
{0}Test address up
      {1}* D-Cache MicroTags
      {1}Test address up
{0}Test address down
      {1}Test address down
{0}Test cell disturbance
      {1}Test cell disturbance
{0}Test data reliability
      {1}Test data reliability
{0}Test address line transitions
      {1}Test address line transitions
{0}* D-Cache SnoopTags
{0}Test address up
      {1}* D-Cache SnoopTags
      {1}Test address up
{0}Test address down
      {1}Test address down
{0}Test cell disturbance
      {1}Test cell disturbance
{0}Test data reliability
      {1}Test data reliability
```

CODE EXAMPLE 3-1 diag-level Variable Set to max (2-Way CPU) (9 of 15)

```
{0}Test address line transitions
      {1}Test address line transitions
{0}* D-Cache Init
      {1}* D-Cache Init
{0}* W-Cache RAM
{0}Test address up
{0}Test address down
{0}Test cell disturbance
{0}Test data reliability
      {1}* W-Cache RAM
      {1}Test address up
      {1}Test address down
      {1}Test cell disturbance
      {1}Test data reliability

{0}Test address line transitions
{0}* W-Cache TAGS
{0}Test address up
{0}Test address down
{0}Test cell disturbance
{0}Test data reliability
{0}Test address line transitions
{0}* W-Cache SnoopTAGS
{0}Test address up
      {1}Test address line transitions
{0}Test address down
{0}Test cell disturbance
      {1}* W-Cache TAGS
{0}Test data reliability
      {1}Test address up
      {1}Test address down
{0}Test address line transitions
      {1}Test cell disturbance
{0}* W-Cache Init
      {1}Test data reliability
{0}* P-Cache RAM
{0}Test address up
      {1}Test address line transitions
{0}Test address down
      {1}* W-Cache SnoopTAGS
      {1}Test address up
{0}Test cell disturbance
      {1}Test address down
      {1}Test cell disturbance
{0}Test data reliability
      {1}Test data reliability
```

CODE EXAMPLE 3-1 diag-level Variable Set to max (2-Way CPU) (10 of 15)

```

        {1}Test address line transitions
        {1}* W-Cache Init
        {1}* P-Cache RAM
        {1}Test address up
        {1}Test address down
        {1}Test cell disturbance
{0}Test address line transitions
        {1}Test data reliability
{0}* P-Cache TAGS
{0}Test address up
{0}Test address down
{0}Test cell disturbance
{0}Test data reliability
{0}Test address line transitions
{0}* P-Cache SnoopTags
{0}Test address up
{0}Test address down
{0}Test cell disturbance
{0}Test data reliability
        {1}Test address line transitions
{0}Test address line transitions
        {1}* P-Cache TAGS
{0}* P-Cache Status Data
        {1}Test address up
{0}Test address up
        {1}Test address down
{0}Test address down
        {1}Test cell disturbance
{0}Test cell disturbance
        {1}Test data reliability
{0}Test data reliability
        {1}Test address line transitions
{0}Test address line transitions
        {1}* P-Cache SnoopTags
{0}* P-Cache Init
        {1}Test address up
{0}* FPU Registers
        {1}Test address down
{0}Test walking I/O FPU registers
        {1}Test cell disturbance
        {1}Test data reliability
        {1}Test address line transitions
        {1}* P-Cache Status Data
        {1}Test address up
        {1}Test address down
```

CODE EXAMPLE 3-1 diag-level Variable Set to max (2-Way CPU) (11 of 15)

```
{1}Test cell disturbance
    {1}Test data reliability
    {1}Test address line transitions
    {1}* P-Cache Init
    {1}* FPU Registers
    {1}Test walking 1/0 FPU registers
{0}Test register addressing
{0}* FSR
{0}Test walking 1 FSR register
{0}* Ecache RAM
{0}Test address up
    {1}Test register addressing
    {1}* FSR
    {1}Test walking 1 FSR register
    {1}* Ecache RAM
    {1}Test address up
{0}Test address down
    {1}Test address down
{0}Test cell disturbance
    {1}Test cell disturbance
{0}Test data reliability
    {1}Test data reliability
{0}Test address line transitions
    {1}Test address line transitions
{0}* Ecache Init
    {1}* Ecache Init
{0}* Correctable Ecache ECC Test
    {1}* Correctable Ecache ECC Test
{0}* Uncorrectable Ecache ECC Test
    {1}* Uncorrectable Ecache ECC Test
{0}* Correctable SW Ecache ECC Test
    {1}* Correctable SW Ecache ECC Test
{0}* Uncorrectable SW Ecache ECC Test
    {1}* Uncorrectable SW Ecache ECC Test
{0}* Correctable System ECC Test
    {1}* Correctable System ECC Test
{0}* Uncorrectable System ECC Test
    {1}* Uncorrectable System ECC Test
{0}* Memory address selection All Banks
    {1}* Memory address selection All Banks
{0}* Memory marching All Banks
    {1}* Memory marching All Banks
{0}* Safari registers
{0}Safari ID reg fc000000.0011a953
```

CODE EXAMPLE 3-1 diag-level Variable Set to max (2-Way CPU) (12 of 15)

```
{0}* Map PCI A space
      {1}* Map PCI B space
{0}* Schizo reg test
      {1}* Schizo reg test
{0}PBM A registers
      {1}PBM B registers
{0}Iommu A registers
      {1}Iommu B registers
{0}Streaming Cache A registers
      {1}Streaming Cache B registers
{0}Mondo Interrupt A registers
      {1}Mondo Interrupt B registers
{0}* Schizo pci A id test
{0}PCI A Vendor ID 108e
      {1}* Schizo pci B id test
{0}PCI A Device ID 8001
      {1}PCI B Vendor ID 108e
{0}* Schizo mem test
      {1}PCI B Device ID 8001
{0}memtst ram data port A
      {1}* Schizo mem test
      {1}memtst ram data port B
{0}memtst cam data port A
      {1}memtst cam data port B
{0}memtst ram addr port A
{0}memtst cam addr port A
      {1}memtst ram addr port B
{0}memtst pnta      port A
      {1}memtst cam addr port B
      {1}memtst pnta      port B
{0}memtst lnta      port A
      {1}memtst lnta      port B
{0}memtst rnta      port A
      {1}memtst rnta      port B
{0}memtst enta      port A
{0}memtst ln addr port A
      {1}memtst enta      port B
{0}memtst pg addr port A
      {1}memtst ln addr port B
{0}memtst sbuf addr port A
      {1}memtst pg addr port B
      {1}memtst sbuf addr port B
{0}* Schizo merg test
{0}merg_wr 8 byte port A
{0}merg_wr 4 byte port A
```


CODE EXAMPLE 3-1 diag-level Variable Set to max (2-Way CPU) (13 of 15)

```
{0}merg_wr 2 byte port A
    {1}* Schizo merg test
{0}merg_wr 1 byte port A
    {1}merg_wr 8 byte port B
{0}merg_blkwr block port A
    {1}merg_wr 4 byte port B
    {1}merg_wr 2 byte port B
    {1}merg_wr 1 byte port B
    {1}merg_blkwr block port B
{0}* Map PCI B space for RIO
{0}* RIO Config
{0}* RIO EBus access
    {1}* Icache Functional
    {1}Verify cacheline fill on read miss
    {1}* Dcache Functional
    {1}Verify no allocate on write miss
    {1}Verify fetch from memory on read miss
    {1}Verify write-through on write hit
    {1}Verify write-through/fetch on read miss
    {1}Verify set-associativity
    {1}* Wcache Functional
    {1}Verify cacheline fill on write miss
    {1}Verify buffering
    {1}Verify coalescing
    {1}* Pcache Functional
    {1}* FPU Functional
    {1}Test single and double-precision addition
    {1}Test single and double-precision subtraction
    {1}Test single and double-precision multiplication
    {1}Test single and double-precision division
    {1}Test single and double-precision sqrt
    {1}Test single and double-precision abs
    {1}Test single and double-precision conversion
    {1}* FPU Move To Registers
    {1}Moving SP fp value through all fp registers
    {1}Moving DP fp value through all fp registers
    {1}* FPU Branch
    {1}Testing Branching on fcc0
    {1}Verify branching
    {1}Verify no branching
    {1}Testing Branching on fcc1
    {1}Verify branching
    {1}Verify no branching
```

CODE EXAMPLE 3-1 diag-level Variable Set to max (2-Way CPU) (14 of 15)

```
{1}Testing Branching on fcc2
    {1}Verify branching
    {1}Verify no branching
    {1}Testing Branching on fcc3
    {1}Verify branching
    {1}Verify no branching
    {1}* Ecache Functional
    {1}Verify cacheline fill on read miss
    {1}Verify write allocate on write miss
    {1}Verify cacheline update on write hit
    {1}Verify write back
{0}* Icache Functional
{0}Verify cacheline fill on read miss
{0}* Dcache Functional
{0}Verify no allocate on write miss
{0}Verify fetch from memory on read miss
{0}Verify write-through on write hit
{0}Verify write-through/fetch on read miss
{0}Verify set-associativity
{0}* Wcache Functional
{0}Verify cacheline fill on write miss
{0}Verify buffering
{0}Verify coalescing
{0}* Pcache Functional
{0}* FPU Functional
{0}Test single and double-precision addition
{0}Test single and double-precision subtraction
{0}Test single and double-precision multiplication
{0}Test single and double-precision division
{0}Test single and double-precision sqrt
{0}Test single and double-precision abs
{0}Test single and double-precision conversion
{0}* FPU Move To Registers
{0}Moving SP fp value through all fp registers
{0}Moving DP fp value through all fp registers
{0}* FPU Branch
{0}Testing Branching on fcc0
{0}Verify branching
{0}Verify no branching
{0}Testing Branching on fcc1
{0}Verify branching
{0}Verify no branching
{0}Testing branching on fcc2
{0}Verify branching
```

CODE EXAMPLE 3-1 diag-level Variable Set to max (2-Way CPU) (15 of 15)

```
{0}Verify no branching
{0}Testing Branching on fcc3
{0}Verify branching
{0}Verify no branching
{0}* Ecache Functional
{0}Verify cacheline fill on read miss
{0}Verify write allocate on write miss
{0}Verify cacheline update on write hit
{0}Verify write back
{0}* Xcall Test
{0}Sending Cross Calls to CPU AID 1
    {1}POST_END
```

CODE EXAMPLE 3-2 diag-level Variable Set to max (single CPU) (1 of 9)

```
@(#) 4.0 Version 28 created 2000/06/27 18:05
Clearing TLBs Done
Power-On Reset
Executing Power On SelfTest
{0}
{0}@(#)POST, v4.1.1 06/30/2000 02:15 PM
{0}* Test CPU present
{0}      Device Present register (BBC) showed that
{0}      CPU1 not present or dead
{0}Soft POR to the whole system
{0}* Configure I2C controller 0
{0}* Configure I2C controller 1
{0}* I2C Controller Loopback Test
{0}* Read JTag IDs of all ASICs
{0}      BBC      JTag ID: 1483203b
{0}      SCSI     JTag ID: 15060045
{0}      I chip   JTag ID: d1e203b
{0}      RIO      JTag ID: 3e5d03b
{0}      Schizo   JTag ID: 1024c06d
{0}      CPMS     JTag ID: 1142903b
{0}      CPMS     JTag ID: 1142903b
{0}      CPMS     JTag ID: 1142903b
{0}      CPMS     JTag ID: 1142903b
{0}      CPMS     JTag ID: 1142903b
{0}      CPMS     JTag ID: 1142903b
{0}* Probing Seeprom on DIMMs and CPU modules
{0}WARNING: DIMM 0 missing
{0}WARNING: DIMM 2 missing
{0}WARNING: DIMM 4 missing
{0}WARNING: DIMM 6 missing
{0}CPU0 Sensor package temperature 31 oC
{0}WARNING: Temperature sensor on UPA0 missing
{0}WARNING: Temperature sensor on UPA1 missing
{0}Smart card reader present
{0}* Read parameters from seeproms
{0}
{0}      Size/bank(MB)      Number of banks
{0}DIMM 0:      0      0
{0}DIMM 1:      64      2
{0}DIMM 2:      0      0
{0}DIMM 3:      64      2
{0}DIMM 4:      0      0
{0}DIMM 5:      64      2
{0}DIMM 6:      0      0
{0}DIMM 7:      64      2
{0}Bank 0 not present, size = 00000000.00000000
{0}Bank 1 is present, size = 00000000.10000000
```

CODE EXAMPLE 3-2 diag-level Variable Set to max (single CPU) (2 of 9)

```
{0}Bank 2 not present, size = 00000000.00000000
{0}Bank 3 not present, size = 00000000.10000000
{0}* Setup CPUs and system frequency
{0}CPU 0 ratio: 4
{0}CPU 1 ratio: 0
{0}System frequency: 150 MHz
{0}* Load PLL and reset
{0}
{0}PLL reset
{0}* Configure I2C controller 0
{0}* Configure I2C controller 1
{0}* SoftInt & Interrupt
{0}Test walking 1 through softint register
{0}Test walking 0 through softint register
{0}Verify interrupt occurs for each level
{0}Verify interrupt occurs at the right PIL
{0}* Tick & Tick-Compare Reg
{0}Walk 1/0 TICK Compare register
{0}Verify TICK register is counting
{0}Verify TICK register Overflow
{0}Verify TICK Interrupt
{0}* Stick & Stick-Compare Reg
{0}Walk 1/0 STICK Compare register
{0}Verify STICK register is counting
{0}Verify STICK register Overflow
{0}Verify STICK Interrupt
{0}* Measure CPU Clock
{0}AFT pin is high
{0}Setup Memory Controller
{0}* IMMU Registers
{0}Testing I-TSB
{0}Test walking 1 through the register
{0}Test walking 0 through the register
{0}Testing I-TLB Tag Access
{0}Test walking 1 through the register
{0}Test walking 0 through the register
{0}* DMMU Registers
{0}Testing Primary Context
{0}Test walking 1 through the register
{0}Testing Secondary Context
{0}Test walking 1 through the register
{0}Testing D-TSB
{0}Test walking 1 through the register
{0}Testing D-TLB Tag Access
```

CODE EXAMPLE 3-2 diag-level Variable Set to max (single CPU) (3 of 9)

```
{0}Test walking 1 through the register
{0}Testing Virtual Watchpoint
{0}Test walking 1 through the register
{0}Testing Physical Watchpoint
{0}Test walking 1 through the register
{0}* 4M DTLB RAM
{0}Test address up
{0}Test address down
{0}Test cell disturbance
{0}Test data reliability
{0}Test address line transitions
{0}* 8K DTLB RAM
{0}Test address up
{0}Test address down
{0}Test cell disturbance
{0}Test data reliability
{0}Test address line transitions
{0}* 4M DTLB TAG
{0}Test address up
{0}Test address down
{0}Test cell disturbance
{0}Test data reliability
{0}Test address line transitions
{0}* 8K DTLB TAG
{0}Test address up
{0}Test address down
{0}Test address line transitions
{0}* 4M ITLB RAM
{0}Test address up
{0}Test address down
{0}Test cell disturbance
{0}Test data reliability
{0}Test address line transitions
{0}* 8K ITLB RAM
{0}Test address up
{0}Test address down
{0}Test cell disturbance
{0}Test data reliability
{0}Test address line transitions
{0}* 4M ITLB TAG
{0}Test address up
{0}Test address down
{0}Test cell disturbance
{0}Test data reliability
{0}Test address line transitions
{0}* 8K ITLB TAG
```

CODE EXAMPLE 3-2 diag-level Variable Set to max (single CPU) (4 of 9)

```
{0}Test address up
{0}Test address down
{0}Test address line transitions
{0}* IMMU Init
{0}* DMMU Init
{0}Mapping done. MMU enabled
{0}* Memory address selection Initial area
{0}* Memory marching Initial area
{0}* E-Cache Global Vars Init
{0}* E-Cache Quick Verification
{0}* Ecache TAGS
{0}Test address up
{0}Test address down
{0}Test cell disturbance
{0}Test data reliability
{0}Test address line transitions
{0}* Ecache Address Line
{0}* Partial Ecache Init
{0}* BBC E-Star Registers
{0}* I-Cache RAM
{0}Test address up
{0}Test address down
{0}Test cell disturbance
{0}Test data reliability
{0}Test address line transitions
{0}* I-Cache TAGS
{0}Testing I-Cache Tag
{0}Test address up
{0}Test address down
{0}Test cell disturbance
{0}Test data reliability
{0}Test address line transitions
{0}Testing I-Cache Micro Tag
{0}Test address up
{0}Test address down
{0}Test cell disturbance
{0}Test data reliability
{0}Test address line transitions
{0}* I-Cache Snoop Tags
{0}Test address up
{0}Test address down
{0}Test cell disturbance
{0}Test data reliability
{0}Test address line transitions
{0}* I-Cache Init
```

CODE EXAMPLE 3-2 diag-level Variable Set to max (single CPU) (5 of 9)

```
{0}* D-Cache RAM
{0}Test address up
{0}Test address down
{0}Test cell disturbance
{0}Test data reliability
{0}Test address line transitions
{0}* D-Cache TAGS
{0}Test address up
{0}Test address down
{0}Test cell disturbance
{0}Test data reliability
{0}Test address line transitions
{0}* D-Cache MicroTags
{0}Test address up
{0}Test address down
{0}Test cell disturbance
{0}Test data reliability
{0}Test address line transitions
{0}* D-Cache SnoopTags
{0}Test address up
{0}Test address down
{0}Test cell disturbance
{0}Test data reliability
{0}Test address line transitions
{0}* D-Cache Init
{0}* W-Cache RAM
{0}Test address up
{0}Test address down
{0}Test cell disturbance
{0}Test data reliability
{0}Test address line transitions
{0}* W-Cache TAGS
{0}Test address up
{0}Test address down
{0}Test cell disturbance
{0}Test data reliability
{0}Test address line transitions
{0}* W-Cache SnoopTAGS
{0}Test address up
{0}Test address down
{0}Test cell disturbance
{0}Test data reliability
{0}Test address line transitions
{0}* W-Cache Init
```


CODE EXAMPLE 3-2 diag-level Variable Set to max (single CPU) (6 of 9)

```
{0}* P-Cache RAM
{0}Test address up
{0}Test address down
{0}Test cell disturbance
{0}Test data reliability
{0}Test address line transitions
{0}* P-Cache TAGS
{0}Test address up
{0}Test address down
{0}Test cell disturbance
{0}Test data reliability
{0}Test address line transitions
{0}* P-Cache SnoopTags
{0}Test address up
{0}Test address down
{0}Test cell disturbance
{0}Test data reliability
{0}Test address line transitions
{0}* P-Cache Status Data
{0}Test address up
{0}Test address down
{0}Test cell disturbance
{0}Test data reliability
{0}Test address line transitions
{0}* P-Cache Init
{0}* FPU Registers
{0}Test walking 1/0 FPU registers
{0}Test register addressing
{0}* FSR
{0}Test walking 1 FSR register
{0}* Ecache RAM
{0}Test address up
{0}Test address down
{0}Test cell disturbance
{0}Test data reliability
{0}Test address line transitions
{0}* Ecache Init
{0}* Correctable Ecache ECC Test
{0}* Uncorrectable Ecache ECC Test
{0}* Correctable SW Ecache ECC Test
{0}* Uncorrectable SW Ecache ECC Test
{0}* Correctable System ECC Test
{0}* Uncorrectable System ECC Test
{0}* Memory address selection All Banks
```

CODE EXAMPLE 3-2 diag-level Variable Set to max (single CPU) (7 of 9)

```
{0}* Memory marching All Banks
{0}* Safari registers
{0}Safari ID reg fc000000.0011a953
{0}* Map PCI A space
{0}* Schizo reg test
{0}PBM A registers
{0}Iommu A registers
{0}Streaming Cache A registers
{0}Mondo Interrupt A registers
{0}* Schizo pci A id test
{0}PCI A Vendor ID 108e
{0}PCI A Device ID 8001
{0}* Schizo mem test
{0}memtst ram data port A
{0}memtst cam data port A
{0}memtst ram addr port A
{0}memtst cam addr port A
{0}memtst pnta      port A
{0}memtst lnta      port A
{0}memtst rnta      port A
{0}memtst enta      port A
{0}memtst ln addr   port A
{0}memtst pg addr   port A
{0}memtst sbuf addr port A
{0}* Schizo merg test
{0}merg_wr 8 byte port A
{0}merg_wr 4 byte port A
{0}merg_wr 2 byte port A
{0}merg_wr 1 byte port A
{0}merg_blkwr block port A
{0}* Map PCI B space
{0}* Schizo reg test
{0}PBM B registers
{0}Iommu B registers
{0}Streaming Cache B registers
{0}Mondo Interrupt B registers
{0}* Schizo pci B id test
{0}PCI B Vendor ID 108e
{0}PCI B Device ID 8001
{0}* Schizo mem test
{0}memtst ram data port B
{0}memtst cam data port B
{0}memtst ram addr port B
{0}memtst cam addr port B
```

CODE EXAMPLE 3-2 diag-level Variable Set to max (single CPU) (8 of 9)

```
{0}memtst pnta      port B
{0}memtst lnta      port B
{0}memtst rnta      port B
{0}memtst enta      port B
{0}memtst ln addr   port B
{0}memtst pg addr   port B
{0}memtst sbuf addr port B
{0}* Schizo merg test
{0}merg_wr 8 byte port B
{0}merg_wr 4 byte port B
{0}merg_wr 2 byte port B
{0}merg_wr 1 byte port B
{0}merg_blkwr block port B
{0}* Map PCI B space for RIO
{0}* RIO Config
{0}* RIO EBus access
{0}* Icache Functional
{0}Verify cacheline fill on read miss
{0}* Dcache Functional
{0}Verify no allocate on write miss
{0}Verify fetch from memory on read miss
{0}Verify write-through on write hit
{0}Verify write-through/fetch on read miss
{0}Verify set-associativity
{0}* Wcache Functional
{0}Verify cacheline fill on write miss
{0}Verify buffering
{0}Verify coalescing
{0}* Pcache Functional
{0}* FPU Functional
{0}Test single and double-precision addition
{0}Test single and double-precision subtraction
{0}Test single and double-precision multiplication
{0}Test single and double-precision division
{0}Test single and double-precision sqrt
{0}Test single and double-precision abs
{0}Test single and double-precision conversion
{0}* FPU Move To Registers
{0}Moving SP fp value through all fp registers
{0}Moving DP fp value through all fp registers
{0}* FPU Branch
{0}Testing Branching on fcc0
{0}Verify branching
{0}Verify no branching
```

CODE EXAMPLE 3-2 diag-level Variable Set to max (single CPU) (9 of 9)

```
{0}Testing Branching on fcc1
{0}Verify branching
{0}Verify no branching
{0}Testing Branching on fcc2
{0}Verify branching
{0}Verify no branching
{0}Testing Branching on fcc3
{0}Verify branching
{0}Verify no branching
{0}* Ecache Functional
{0}Verify cacheline fill on read miss
{0}Verify write allocate on write miss
{0}Verify cacheline update on write hit
{0}Verify write back
{0}POST_END
```

3.4.2 diag-level Variable Set to min

When the `diag-level` variable is set to `min`, POST enables an abbreviated set of diagnostic-level tests. See TABLE 3-1 for approximate completion times. The following code example identifies serial port A POST output with the `diag-level` NVRAM variable set to `min` for 2-way, and single CPU configurations.

- `diag-level` Variable Set to min (2-Way CPU)—CODE EXAMPLE 3-3
- `diag-level` Variable Set to min (single CPU)—CODE EXAMPLE 3-4

CODE EXAMPLE 3-3 diag-level Variable Set to min (2-Way CPU) (1 of 12)

```
@(#) 4.0 Version 28 created 2000/06/27 18:05
Clearing TLBs Done
Power-On Reset
Executing Power On SelfTest
{0}@(#)POST, v4.1.1 06/30/2000 02:15 PM
    {1}
{0}* Test CPU present
    {1}@(#)POST, v4.1.1 06/30/2000 02:15 PM
    {1}* Test CPU present
{0}Soft POR to the whole system
    {1}Soft POR to the whole system
{0}* Configure I2C controller 0
{0}* Configure I2C controller 1
{0}* I2C Controller Loopback Test
{0}* Read JTag IDs of all ASICs
{0}    BBC    JTag ID: 1483203b
{0}    SCSI   JTag ID: 15060045
{0}    I chip  JTag ID: d1e203b
{0}    RIO    JTag ID: 3e5d03b
{0}    Schizo  JTag ID: 1024c06d
{0}    CPMS   JTag ID: 1142903b
{0}    CPMS   JTag ID: 1142903b
{0}    CPMS   JTag ID: 1142903b
{0}    CPMS   JTag ID: 1142903b
{0}    CPMS   JTag ID: 1142903b
{0}    CPMS   JTag ID: 1142903b
{0}* Probing Seeprom on DIMMs and CPU modules
{0}WARNING: DIMM 0 missing
{0}WARNING: DIMM 2 missing
{0}WARNING: DIMM 4 missing
{0}WARNING: DIMM 6 missing
{0}CPU0 Sensor package temperature 32 oC
{0}CPU1 Sensor package temperature 24 oC
{0}WARNING: Temperature sensor on UPA0 missing
{0}WARNING: Temperature sensor on UPA1 missing
{0}Smart card reader present
{0}* Read parameters from seeproms
{0}
{0}    Size/bank(MB)                Number of banks
{0}DIMM 0:    0                    0
{0}DIMM 1:    64                   2
{0}DIMM 2:    0                    0
{0}DIMM 3:    64                   2
{0}DIMM 4:    0                    0
{0}DIMM 5:    64                   2
```

CODE EXAMPLE 3-3 diag-level Variable Set to min (2-Way CPU) (2 of 12)

```
{0}DIMM 6:      0      0
{0}DIMM 7:      64     2
{0}Bank 0 not present, size = 00000000.00000000
{0}Bank 1 is present, size = 00000000.10000000
{0}Bank 2 not present, size = 00000000.00000000
{0}Bank 3 not present, size = 00000000.10000000
{0}* Setup CPUs and system frequency
{0}CPU 0 ratio: 5
{0}CPU 1 ratio: 4
{0}System frequency: 150 MHz
{0}* Load PLL and reset
      {1}
{0}
{0}PLL reset
      {1}PLL reset
{0}* Configure I2C controller 0
      {1}* SoftInt & Interrupt
{0}* Configure I2C controller 1
      {1}Test walking 1 through softint register
{0}* SoftInt & Interrupt
      {1}Test walking 0 through softint register
{0}Test walking 1 through softint register
      {1}Verify interrupt occurs for each level
{0}Test walking 0 through softint register
      {1}Verify interrupt occurs at the right PIL
{0}Verify interrupt occurs for each level
      {1}* Tick & Tick-Compare Reg
{0}Verify interrupt occurs at the right PIL
      {1}Walk 1/0 TICK Compare register
{0}* Tick & Tick-Compare Reg
      {1}Verify TICK register is counting
{0}Walk 1/0 TICK Compare register
      {1}Verify TICK register Overflow
{0}Verify TICK register is counting
      {1}Verify TICK Interrupt
{0}Verify TICK register Overflow
{0}Verify TICK Interrupt
      {1}* Stick & Stick-Compare Reg
      {1}Walk 1/0 STICK Compare register
{0}* Stick & Stick-Compare Reg
```

CODE EXAMPLE 3-3 diag-level Variable Set to min (2-Way CPU) (3 of 12)

```
{0}Walk 1/0 STICK Compare register
    {1}Verify STICK register Overflow
{0}Verify STICK register is counting
    {1}Verify STICK Interrupt
{0}Verify STICK register Overflow
{0}Verify STICK Interrupt
    {1}* Measure CPU Clock
{0}* Measure CPU Clock
{0}AFT pin is high
{0}Setup Memory Controller
{0}* IMMU Registers
    {1}* IMMU Registers
{0}Testing I-TSB
    {1}Testing I-TSB
{0}Test walking 1 through the register
    {1}Test walking 1 through the register
{0}Test walking 0 through the register
    {1}Test walking 0 through the register
{0}Testing I-TLB Tag Access
    {1}Testing I-TLB Tag Access
{0}Test walking 1 through the register
    {1}Test walking 1 through the register
{0}Test walking 0 through the register
    {1}Test walking 0 through the register
{0}* DMMU Registers
    {1}* DMMU Registers
{0}Testing Primary Context
    {1}Testing Primary Context
{0}Test walking 1 through the register
    {1}Test walking 1 through the register
{0}Testing Secondary Context
    {1}Testing Secondary Context
{0}Test walking 1 through the register
    {1}Test walking 1 through the register
{0}Testing D-TSB
    {1}Testing D-TSB
{0}Test walking 1 through the register
    {1}Test walking 1 through the register
{0}Testing D-TLB Tag Access
    {1}Testing D-TLB Tag Access
{0}Test walking 1 through the register
    {1}Test walking 1 through the register
{0}Testing Virtual Watchpoint
```

CODE EXAMPLE 3-3 diag-level Variable Set to min (2-Way CPU) (4 of 12)

```
{0}Test walking 1 through the register
      {1}Test walking 1 through the register
{0}Testing Physical Watchpoint
      {1}Testing Physical Watchpoint
{0}Test walking 1 through the register
      {1}Test walking 1 through the register
{0}* 4M DTLB RAM
      {1}* 4M DTLB RAM
{0}Test address up
      {1}Test address up
{0}Test address down
      {1}Test address down
{0}Test cell disturbance
      {1}Test cell disturbance
{0}* 8K DTLB RAM
      {1}* 8K DTLB RAM
{0}Test address up
      {1}Test address up
{0}Test address down
      {1}Test address down
{0}Test cell disturbance
      {1}Test cell disturbance
{0}* 4M DTLB TAG
{0}Test address up
      {1}* 4M DTLB TAG
{0}Test address down
      {1}Test address up
{0}Test cell disturbance
{0}* 8K DTLB TAG
      {1}Test cell disturbance
{0}Test address up
      {1}* 8K DTLB TAG
      {1}Test address up
{0}Test address down
      {1}Test address down
{0}Test address line transitions
      {1}Test address line transitions
{0}* 4M ITLB RAM
{0}Test address up
{0}Test address down
      {1}* 4M ITLB RAM
{0}Test cell disturbance
{0}* 8K ITLB RAM
      {1}Test address down
```


CODE EXAMPLE 3-3 diag-level Variable Set to min (2-Way CPU) (5 of 12)

```
{0}Test address up
      {1}Test cell disturbance
{0}Test address down
      {1}* 8K ITLB RAM
      {1}Test address up
{0}Test cell disturbance
      {1}Test address down
      {1}Test cell disturbance
{0}* 4M ITLB TAG
{0}Test address up
{0}Test address down
{0}Test cell disturbance
      {1}* 4M ITLB TAG
{0}* 8K ITLB TAG
      {1}Test address up
{0}Test address up
      {1}Test address down
{0}Test address down
      {1}Test cell disturbance
{0}Test address line transitions
      {1}* 8K ITLB TAG
      {1}Test address up
{0}* IMMU Init
      {1}Test address down
{0}* DMMU Init
      {1}Test address line transitions
{0}Mapping done. MMU enabled
      {1}* IMMU Init
{0}* Memory address selection Initial area
      {1}* DMMU Init
      {1}Mapping done. MMU enabled
      {1}* Memory address selection Initial area
{0}* E-Cache Global Vars Init
{0}* E-Cache Quick Verification
      {1}* E-Cache Global Vars Init
      {1}* E-Cache Quick Verification
{0}* Ecache TAGS
{0}Test address up
      {1}* Ecache TAGS
      {1}Test address up
{0}Test address down
      {1}Test address down
{0}Test cell disturbance
      {1}Test cell disturbancen
```

CODE EXAMPLE 3-3 diag-level Variable Set to min (2-Way CPU) (6 of 12)

```
{0}* Ecache Address Line
      {1}* Ecache Address Line
{0}* Partial Ecache Init
      {1}* Partial Ecache Init
{0}* BBC E-Star Registers
{0}* I-Cache RAM
      {1}* I-Cache RAM
{0}Test address up
      {1}Test address up
{0}Test address down
      {1}Test address down
{0}Test cell disturbance
      {1}Test cell disturbance
{0}* I-Cache TAGS
{0}Testing I-Cache Tag
      {1}* I-Cache TAGS
{0}Test address up
      {1}Testing I-Cache Tag
      {1}Test address up
{0}Test address down
      {1}Test address down
{0}Test cell disturbance
      {1}Test cell disturbance
{0}Testing I-Cache Micro Tag
{0}Test address up
      {1}Testing I-Cache Micro Tag
      {1}Test address up
{0}Test address down
      {1}Test address down
{0}Test cell disturbance
      {1}Test cell disturbance
{0}* I-Cache Snoop Tags
{0}Test address up
      {1}* I-Cache Snoop Tags
      {1}Test address up
{0}Test address down
      {1}Test address down
{0}Test cell disturbance
      {1}Test cell disturbance
{0}* I-Cache Init
      {1}* I-Cache Init
{0}* D-Cache RAM
{0}Test address up
      {1}* D-Cache RAM
      {1}Test address up
```

CODE EXAMPLE 3-3 diag-level Variable Set to min (2-Way CPU) (7 of 12)

```
{0}Test address down
      {1}Test address down
{0}Test cell disturbance
      {1}Test cell disturbance
{0}* D-Cache TAGS
{0}Test address up
      {1}* D-Cache TAGS
      {1}Test address up
{0}Test address down
      {1}Test address down
{0}Test cell disturbance
      {1}Test cell disturbance
{0}* D-Cache MicroTags
{0}Test address up
      {1}* D-Cache MicroTags
      {1}Test address up
{0}Test address down
      {1}Test address down
{0}Test cell disturbance
      {1}Test cell disturbance
{0}* D-Cache SnoopTags
{0}Test address up
      {1}* D-Cache SnoopTags
      {1}Test address up
{0}Test address down
      {1}Test address down
{0}Test cell disturbance
      {1}Test cell disturbance
{0}* D-Cache Init
      {1}* D-Cache Init
{0}* W-Cache RAM
{0}Test address up
{0}Test address down
{0}Test cell disturbance
      {1}* W-Cache RAM
      {1}Test address up
{0}* W-Cache TAGS
{0}Test address up
      {1}Test address down
{0}Test address down
{0}Test cell disturbance
      {1}Test cell disturbance
{0}* W-Cache SnoopTAGS
{0}Test address up
```

CODE EXAMPLE 3-3 diag-level Variable Set to min (2-Way CPU) (8 of 12)

```
{0}Test address down
      {1}* W-Cache TAGS
{0}Test cell disturbance
      {1}Test address up
{0}* W-Cache Init
      {1}Test address down
{0}* P-Cache RAM
      {1}Test cell disturbance
{0}Test address up
      {1}* W-Cache SnoopTAGS
      {1}Test address up
{0}Test address down
      {1}Test address down
      {1}Test cell disturbance
{0}Test cell disturbance
      {1}* W-Cache Init
      {1}* P-Cache RAM
      {1}Test address up
{0}* P-Cache TAGS
{0}Test address up
      {1}Test address down
{0}Test address down
{0}Test cell disturbance
      {1}Test cell disturbance
{0}* P-Cache SnoopTags
{0}Test address up
{0}Test address down
      {1}* P-Cache TAGS
{0}Test cell disturbance
      {1}Test address up
{0}* P-Cache Status Data
      {1}Test address down
{0}Test address up
      {1}Test cell disturbance
{0}Test address down
      {1}* P-Cache SnoopTags
{0}Test cell disturbance
      {1}Test address up
{0}* P-Cache Init
      {1}Test address down
{0}* FPU Registers
      {1}Test cell disturbance
{0}Test walking 1/0 FPU registers
      {1}* P-Cache Status Data
      {1}Test address up
      {1}Test address down
```

CODE EXAMPLE 3-3 diag-level Variable Set to min (2-Way CPU) (9 of 12)

```

        {1}Test cell disturbance
        {1}* P-Cache Init
        {1}* FPU Registers
        {1}Test walking 1/0 FPU registers
{0}Test register addressing
{0}* FSR
{0}Test walking 1 FSR register
{0}* Ecache RAM
        {1}Test register addressing
{0}Test address up
        {1}* FSR
        {1}Test walking 1 FSR register
        {1}* Ecache RAM
        {1}Test address up
{0}Test address down
        {1}Test address down
{0}Test cell disturbance
        {1}Test cell disturbance
{0}* Ecache Init
        {1}* Ecache Init
{0}* Correctable Ecache ECC Test
        {1}* Correctable Ecache ECC Test
{0}* Uncorrectable Ecache ECC Test
        {1}* Uncorrectable Ecache ECC Test
{0}* Correctable SW Ecache ECC Test
        {1}* Correctable SW Ecache ECC Test
{0}* Uncorrectable SW Ecache ECC Test
        {1}* Uncorrectable SW Ecache ECC Test
{0}* Correctable System ECC Test
        {1}* Correctable System ECC Test
{0}* Uncorrectable System ECC Test
        {1}* Uncorrectable System ECC Test
{0}* Memory address selection All Banks
        {1}* Memory address selection All Banks
{0}* Safari registers
{0}Safari ID reg fc000000.0011a953
{0}* Map PCI A space
        {1}* Map PCI B space
{0}* Schizo reg test
        {1}* Schizo reg test
{0}PBM A registers
        {1}PBM B registers
{0}Iommu A registers
        {1}Iommu B registers
```

CODE EXAMPLE 3-3 diag-level Variable Set to min (2-Way CPU) (10 of 12)

```
{0}Streaming Cache A registers
                                {1}Streaming Cache B registers
{0}Mondo Interrupt A registers
                                {1}Mondo Interrupt B registers
{0}* Schizo pci A id test
{0}PCI A Vendor ID 108e
                                {1}* Schizo pci B id test
{0}PCI A Device ID 8001
                                {1}PCI B Vendor ID 108e
{0}* Schizo mem test
                                {1}PCI B Device ID 8001
{0}memtst ram data port A
                                {1}* Schizo mem test
                                {1}memtst ram data port B
{0}memtst cam data port A
                                {1}memtst cam data port B
{0}memtst ram addr port A
{0}memtst cam addr port A
                                {1}memtst ram addr port B
{0}memtst pnta      port A
                                {1}memtst cam addr port B
                                {1}memtst pnta      port B
{0}memtst lnta      port A
                                {1}memtst lnta      port B
{0}memtst rnta      port A
                                {1}memtst rnta      port B
{0}memtst enta      port A
{0}memtst ln addr   port A
                                {1}memtst enta      port B
{0}memtst pg addr   port A
                                {1}memtst ln addr   port B
{0}memtst sbuf addr port A
                                {1}memtst pg addr   port B
                                {1}memtst sbuf addr port B
{0}* Schizo merg test
{0}merg_wr 8 byte port A
{0}merg_wr 4 byte port A
                                {1}* Schizo merg test
                                {1}merg_wr 8 byte port B
                                {1}merg_wr 4 byte port B
{0}* Map PCI B space for RIO
{0}* RIO Config
```

CODE EXAMPLE 3-3 diag-level Variable Set to min (2-Way CPU) (11 of 12)

```
{0}* RIO EBus access
    {1}* Icache Functional
    {1}Verify cacheline fill on read miss
    {1}* Dcache Functional
    {1}Verify no allocate on write miss
    {1}Verify fetch from memory on read miss
    {1}Verify write-through on write hit
    {1}Verify write-through/fetch on read miss
    {1}Verify set-associativity
    {1}* Wcache Functional
    {1}Verify cacheline fill on write miss
    {1}Verify buffering
    {1}Verify coalescing
    {1}* Pcache Functional
    {1}* FPU Functional
    {1}Test single and double-precision addition
    {1}Test single and double-precision subtraction
    {1}Test single and double-precision multiplication
    {1}Test single and double-precision division
    {1}Test single and double-precision sqrt
    {1}Test single and double-precision abs
    {1}Test single and double-precision conversion
    {1}* FPU Move To Registers
    {1}Moving SP fp value through all fp registers
    {1}Moving DP fp value through all fp registers
    {1}* FPU Branch
    {1}Testing Branching on fcc0
    {1}Verify branching
    {1}Verify no branching
    {1}Testing Branching on fcc1
    {1}Verify branching
    {1}Verify no branching
    {1}Testing Branching on fcc2
    {1}Verify branching
    {1}Verify no branching
    {1}Testing Branching on fcc3
    {1}Verify branching
    {1}Verify no branching
    {1}* Ecache Functional
    {1}Verify cacheline fill on read miss
    {1}Verify write allocate on write miss
    {1}Verify cacheline update on write hit
    {1}Verify write back
{0}* Icache Functional
{0}Verify cacheline fill on read miss
{0}* Dcache Functional
```

CODE EXAMPLE 3-3 diag-level Variable Set to min (2-Way CPU) (12 of 12)

```
{0}Verify no allocate on write miss
{0}Verify fetch from memory on read miss
{0}Verify write-through on write hit
{0}Verify write-through/fetch on read miss
{0}Verify set-associativity
{0}* Wcache Functional
{0}Verify cacheline fill on write miss
{0}Verify buffering
{0}Verify coalescing
{0}* Pcache Functional
{0}* FPU Functional
{0}Test single and double-precision addition
{0}Test single and double-precision subtraction
{0}Test single and double-precision multiplication
{0}Test single and double-precision division
{0}Test single and double-precision sqrt
{0}Test single and double-precision abs
{0}Test single and double-precision conversion
{0}* FPU Move To Registers
{0}Moving SP fp value through all fp registers
{0}Moving DP fp value through all fp registers
{0}* FPU Branch
{0}Testing Branching on fcc0
{0}Verify branching
{0}Verify no branching
{0}Testing Branching on fcc1
{0}Verify branching
{0}Verify no branching
{0}Testing Branching on fcc2
{0}Verify branching
{0}Verify no branching
{0}Testing Branching on fcc3
{0}Verify branching
{0}Verify no branching
{0}* Ecache Functional
{0}Verify cacheline fill on read miss
{0}Verify write allocate on write miss
{0}Verify cacheline update on write hit
{0}Verify write back
{0}* Xcall Test
{0}Sending Cross Calls to CPU AID 1
      {1}POST_END
```

Note – The following POST examples are executed with 750-MHz CPUs and 512-MB of memory.

CODE EXAMPLE 3-4 diag-level Variable Set to min (Single CPU) (1 of 8)

```
@(#) 4.0 Version 35 created 2000/01/21 17:29
Clearing TLBs Done
Executing Power On SelfTest
{0}

@(#) 4.0 Version 28 created 2000/06/27 18:05
Clearing TLBs Done
Power-On Reset
Executing Power On SelfTest
{0}
{0}@(#)POST, v4.1.1 06/30/2000 02:15 PM
{0}* Test CPU present
{0} Device Present register (BBC) showed that
{0} CPU1 not present or dead
{0}Soft POR to the whole system
{0}* Configure I2C controller 0
{0}* Configure I2C controller 1
{0}* I2C Controller Loopback Test
{0}* Read JTag IDs of all ASICs
{0} BBC JTag ID: 1483203b
{0} SCSI JTag ID: 15060045
{0} I chip JTag ID: d1e203b
{0} RIO JTag ID: 3e5d03b
{0} Schizo JTag ID: 1024c06d
{0} CPMS JTag ID: 1142903b
{0} CPMS JTag ID: 1142903b
{0} CPMS JTag ID: 1142903b
{0} CPMS JTag ID: 1142903b
{0} CPMS JTag ID: 1142903b
{0} CPMS JTag ID: 1142903b
{0}* Probing Seeprom on DIMMs and CPU modules
{0}WARNING: DIMM 0 missing
{0}WARNING: DIMM 2 missing
{0}WARNING: DIMM 4 missing
{0}WARNING: DIMM 6 missing
{0}CPU0 Sensor package temperature 34 oC
{0}WARNING: Temperature sensor on UPA0 missing
{0}WARNING: Temperature sensor on UPA1 missing
{0}Smart card reader present
{0}* Read parameters from seeproms
{0} Size/bank(MB) Number of banks
{0}DIMM 0: 0 0
{0}DIMM 1: 64 2
{0}DIMM 2: 0 0
{0}DIMM 3: 64 2
```

CODE EXAMPLE 3-4 diag-level Variable Set to min (Single CPU) (Continued) (2 of 8)

```
{0}DIMM 4:      0      0
{0}DIMM 5:     64     2
{0}DIMM 6:      0     0
{0}DIMM 7:     64     2
{0}Bank 0 not present, size = 00000000.00000000
{0}Bank 1 is present, size = 00000000.10000000
{0}Bank 2 not present, size = 00000000.00000000
{0}Bank 3 not present, size = 00000000.10000000
{0}* Setup CPUs and system frequency
{0}CPU 0 ratio: 4
{0}CPU 1 ratio: 0
{0}System frequency: 150 MHz
{0}* Load PLL and reset
{0}
{0}PLL reset
{0}* Configure I2C controller 0
{0}* Configure I2C controller 1
{0}* SoftInt & Interrupt
{0}Test walking 1 through softint register
{0}Test walking 0 through softint register
{0}Verify interrupt occurs for each level
{0}Verify interrupt occurs at the right PIL
{0}* Tick & Tick-Compare Reg
{0}Walk 1/0 TICK Compare register
{0}Verify TICK register is counting
{0}Verify TICK register Overflow
{0}Verify TICK Interrupt
{0}* Stick & Stick-Compare Reg
{0}Walk 1/0 STICK Compare register
{0}Verify STICK register is counting
{0}Verify STICK register Overflow
{0}Verify STICK Interrupt
{0}* Measure CPU Clock
{0}AFT pin is high
{0}Setup Memory Controller
{0}* IMMU Registers
{0}Testing I-TSB
{0}Test walking 1 through the register
{0}Test walking 0 through the register
{0}Testing I-TLB Tag Access
{0}Test walking 1 through the register
{0}Test walking 0 through the register
{0}* DMMU Registers
{0}Testing Primary Context
{0}Test walking 1 through the register
{0}Testing Secondary Context
```

CODE EXAMPLE 3-4 diag-level Variable Set to min (Single CPU) (Continued) (3 of 8)

```
{0}Test walking 1 through the register
{0}Testing D-TSB
{0}Test walking 1 through the register
{0}Testing D-TLB Tag Access
{0}Test walking 1 through the register
{0}Testing Virtual Watchpoint
{0}Test walking 1 through the register
{0}Testing Physical Watchpoint
{0}Test walking 1 through the register
{0}* 4M DTLB RAM
{0}Test address up
{0}Test address down
{0}Test cell disturbance
{0}* 8K DTLB RAM
{0}Test address up
{0}Test address down
{0}Test cell disturbance
{0}* 4M DTLB TAG
{0}Test address up
{0}Test address down
{0}Test cell disturbance
{0}* 8K DTLB TAG
{0}Test address up
{0}Test address down
{0}Test address line transitions
{0}* 4M ITLB RAM
{0}Test address up
{0}Test address down
{0}Test cell disturbance
{0}* 8K ITLB RAM
{0}Test address up
{0}Test address down
{0}Test cell disturbance
{0}* 4M ITLB TAG
{0}Test address up
{0}Test address down
{0}Test cell disturbance
{0}* 8K ITLB TAG
{0}Test address up
{0}Test address down
{0}Test address line transitions
{0}* IMMU Init
{0}* DMMU Init
{0}Mapping done. MMU enabled
{0}* Memory address selection Initial area
{0}* E-Cache Global Vars Init
```

CODE EXAMPLE 3-4 diag-level Variable Set to min (Single CPU) (Continued) (4 of 8)

```
{0}* E-Cache Quick Verification
{0}* Ecache TAGS
{0}Test address up
{0}Test address down
{0}Test cell disturbance
{0}* Ecache Address Line
{0}* Partial Ecache Init
{0}* BBC E-Star Registers
{0}* I-Cache RAM
{0}Test address up
{0}Test address down
{0}Test cell disturbance
{0}* I-Cache TAGS
{0}Testing I-Cache Tag
{0}Test address up
{0}Test address down
{0}Test cell disturbance
{0}Testing I-Cache Micro Tag
{0}Test address up
{0}Test address down
{0}Test cell disturbance
{0}* I-Cache Snoop Tags
{0}Test address up
{0}Test address down
{0}Test cell disturbance
{0}* I-Cache Init
{0}* D-Cache RAM
{0}Test address up
{0}Test address down
{0}Test cell disturbance
{0}* D-Cache TAGS
{0}Test address up
{0}Test address down
{0}Test cell disturbance
{0}* D-Cache MicroTags
{0}Test address up
{0}Test address down
{0}Test cell disturbance
{0}* D-Cache SnoopTags
{0}Test address up
{0}Test address down
{0}Test cell disturbance
{0}* D-Cache Init
{0}* W-Cache RAM
```

CODE EXAMPLE 3-4 diag-level Variable Set to min (Single CPU) (Continued) (5 of 8)

```
{0}Test address up
{0}Test address down
{0}Test cell disturbance
{0}* W-Cache TAGS
{0}Test address up
{0}Test address down
{0}Test cell disturbance
{0}* W-Cache SnoopTAGS
{0}Test address up
{0}Test address down
{0}Test cell disturbance
{0}* W-Cache Init
{0}* P-Cache RAM
{0}Test address up
{0}Test address down
{0}Test cell disturbance
{0}* P-Cache TAGS
{0}Test address up
{0}Test address down
{0}Test cell disturbance
{0}* P-Cache SnoopTags
{0}Test address up
{0}Test address down
{0}Test cell disturbance
{0}* P-Cache Status Data
{0}Test address up
{0}Test address down
{0}Test cell disturbance
{0}* P-Cache Init
{0}* FPU Registers
{0}Test walking 1/0 FPU registers
{0}Test register addressing
{0}* FSR
{0}Test walking 1 FSR register
{0}* Ecache RAM
{0}Test address up
{0}Test address down
{0}Test cell disturbance
{0}* Ecache Init
{0}* Correctable Ecache ECC Test
{0}* Uncorrectable Ecache ECC Test
{0}* Correctable SW Ecache ECC Test
{0}* Uncorrectable SW Ecache ECC Test
{0}* Correctable System ECC Test
```

CODE EXAMPLE 3-4 diag-level Variable Set to min (Single CPU) (Continued) (6 of 8)

```
{0}* Uncorrectable System ECC Test
{0}* Memory address selection All Banks
{0}* Safari registers
{0}Safari ID reg fc000000.0011a953
{0}* Map PCI A space
{0}* Schizo reg test
{0}PBM A registers
{0}Iommu A registers
{0}Streaming Cache A registers
{0}Mondo Interrupt A registers
{0}* Schizo pci A id test
{0}PCI A Vendor ID 108e
{0}PCI A Device ID 8001
{0}* Schizo mem test
{0}memtst ram data port A
{0}memtst cam data port A
{0}memtst ram addr port A
{0}memtst cam addr port A
{0}memtst pnta      port A
{0}memtst lnta      port A
{0}memtst rnta      port A
{0}memtst enta      port A
{0}memtst ln addr  port A
{0}memtst pg addr  port A
{0}memtst sbuf addr port A
{0}* Schizo merg test
{0}merg_wr 8 byte port A
{0}merg_wr 4 byte port A
{0}* Map PCI B space
{0}* Schizo reg test
{0}PBM B registers
{0}Iommu B registers
{0}Streaming Cache B registers
{0}Mondo Interrupt B registers
{0}* Schizo pci B id test
{0}PCI B Vendor ID 108e
{0}PCI B Device ID 8001
{0}* Schizo mem test
{0}memtst ram data port B
{0}memtst cam data port B
{0}memtst ram addr port B
{0}memtst cam addr port B
{0}memtst pnta      port B
{0}memtst lnta      port B
```

CODE EXAMPLE 3-4 diag-level Variable Set to min (Single CPU) (Continued) (7 of 8)

```
{0}memtst rnta      port B
{0}memtst enta      port B
{0}memtst ln addr   port B
{0}memtst pg addr   port B
{0}memtst sbuf addr port B
{0}* Schizo merg test
{0}merg_wr 8 byte port B
{0}merg_wr 4 byte port B
{0}* Map PCI B space for RIO
{0}* RIO Config
{0}* RIO EBus access
{0}* Icache Functional
{0}Verify cacheline fill on read miss
{0}* Dcache Functional
{0}Verify no allocate on write miss
{0}Verify fetch from memory on read miss
{0}Verify write-through on write hit
{0}Verify write-through/fetch on read miss
{0}Verify set-associativity
{0}* Wcache Functional
{0}Verify cacheline fill on write miss
{0}Verify buffering
{0}Verify coalescing
{0}* Pcache Functional
{0}* FPU Functional
{0}Test single and double-precision addition
{0}Test single and double-precision subtraction
{0}Test single and double-precision multiplication
{0}Test single and double-precision division
{0}Test single and double-precision sqrt
{0}Test single and double-precision abs
{0}Test single and double-precision conversion
{0}* FPU Move To Registers
{0}Moving SP fp value through all fp registers
{0}Moving DP fp value through all fp registers
{0}* FPU Branch
{0}Testing Branching on fcc0
{0}Verify branching
{0}Verify no branching
{0}Testing Branching on fcc1
{0}Verify branching
{0}Verify no branching
{0}Testing Branching on fcc2
{0}Verify branching
```

```
{0}Verify no branching
{0}Testing Branching on fcc3
{0}Verify branching
{0}Verify no branching
{0}* Ecache Functional
{0}Verify cacheline fill on read miss
{0}Verify write allocate on write miss
{0}Verify cacheline update on write hit
{0}Verify write back
{0}POST_END
```

3.4.3 POST Progress and Error Reporting

In most cases, POST also attempts to send a failure message to the POST monitoring system. The following code example identifies the typical appearance of a failure message.

Note – The workstation does not automatically boot if a POST error occurs. The workstation halts at the ok prompt to alert the user to a failure.

```
{0}ERROR: TEST = * Memory marching Initial area TESTID = 68
{0}H/W under test = MAIN MEMORY
{0}    Fault address 00000000.00000090
{0}    Fault status 00000002.0000004f
{0}    (CE) Correctable system data ECC error
{0}    CPU data bit 6
{0}    Memory data bit 146
{0}    DIMM connector J0406
{0}    Connector pin 124
{0}    CPMS Slice 1
```


Troubleshooting Procedures

This chapter describes how to troubleshoot possible hardware problems and suggests corrective actions.

This chapter contains the following topics:

- Section 4.1, “Power On Failure” on page 4-2
- Section 4.2, “System LEDs” on page 4-2
- Section 4.3, “Video Output Failure” on page 4-3
- Section 4.4, “Frame Buffer Power Management” on page 4-3
- Section 4.5, “Hard Drive or DVD-ROM Drive Failures” on page 4-5
- Section 4.6, “Power Supply Troubleshooting” on page 4-6
- Section 4.7, “DIMM Failure” on page 4-8
- Section 4.8, “OpenBoot PROM On-Board Diagnostics” on page 4-8
- Section 4.9, “OpenBoot Diagnostics” on page 4-13

4.1 Power On Failure

Symptom

The Power-Indicator LED does not light and the workstation does not power on when you press the power switch (see Section TABLE 4-1, “Power-Indicator LED States” on page 4-2).

Action

Ensure that the AC power cord is properly connected to the workstation and to the wall receptacle. Verify that the wall receptacle is supplying AC power to the workstation.

Ensure that the cover is securely fastened to the chassis. If the cover is not installed, the power interlock will prevent power on of the workstation.

Press the power switch. If the workstation does not power on, one of the CPU module(s) may not be properly seated. Inspect the CPU module(s) for proper seating, and press the power switch again.

If the wall receptacle AC power has been verified and the CPU module(s) is (are) properly seated, but the workstation does not power on, the workstation power supply may be defective. See Section 4.6, “Power Supply Troubleshooting” on page 4-6.

4.2 System LEDs

The power-indicator LED (FIGURE 1-2) has three states that indicate the power status of the workstation (TABLE 4-1).

TABLE 4-1 Power-Indicator LED States

LED Activity	Meaning
LED off	Workstation power is off or workstation is booting.
LED blinking	All internal subsystems are in lowest possible power consumption mode for this workstation. Some hardware components and software drivers do not support the workstation’s lowest possible power consumption mode. When this occurs, the power indicator LED will not blink.

TABLE 4-1 Power-Indicator LED States

LED Activity	Meaning
LED on	Full power is on in one or more internal subsystems, and system self test has completed successfully.

The logo LED light indicates only that power is supplied to the workstation.

4.3 Video Output Failure

Symptom

No video at the workstation monitor.

Action

Ensure that the power cord is connected to the monitor and to the wall receptacle.

Verify that the wall receptacle is supplying AC power to the monitor.

Check the video cable connection between the monitor and the workstation graphics card output port.

Check that each CPU module is properly seated. If the AC connection to the monitor is correct, and the video cable is correctly connected, and each CPU module is properly seated, the workstation monitor or the workstation graphics card may be defective. Replace the monitor or the graphics card.

4.4 Frame Buffer Power Management

Symptom

When a Sun Blade 1000 or Sun Blade 2000 workstation is configured with a CD-ROM or DVD-ROM drive, and the monitor and frame buffers are powered off and are in energy saving mode, the workstation could hang during a panic and the core dump would not be saved.

Note – There is a driver timing dependency between the CD-ROM or DVD-ROM drive and the graphics board (frame buffer) used in the workstation. The driver for the CD-ROM or DVD-ROM will not power on the drive during a workstation panic unless an interrupt enabled is encountered or unless the system drivers are operating in a polled mode.

Action

If necessary, perform the following procedure to disable power management for the CD- or DVD-ROM drive:

1. Become superuser by typing `su` and the root password.
2. At the `#` prompt, type:

```
cat >> /etc/power.conf
device-thresholds /pci@8, 700000/scsi@6/sd@6,0 always-on
^D
```

In the command line, `^D` indicates that you should hold the Control key down and type the letter `D`.

3. At the `#` prompt, type: `pmconfig`
4. Exit superuser.

4.5 Hard Drive or DVD-ROM Drive Failures

4.5.1 Hard Drive or DVD-ROM Read or Parity Errors

Symptom

A hard drive read, write, or parity error is reported by the Solaris operating environment or by customer application.

A DVD-ROM drive read error or parity error is reported by the Solaris operating environment or by customer application.

Action

Replace the drive indicated by the failure message. The Solaris operating environment identifies the internal drives, as listed in the following table.

TABLE 4-2 Internal Drives Identification

Solaris Operating Environment Address	Drive Physical Location and Target
c1t1d0s#	Lower hard drive, LiD/HA 1
c1t2d0s#	Upper hard drive, LiD/HA 2
c0t6d0s#	DVD-ROM drive, target 6 (optional)
c0t5d0s#	Tape drive, target 5 (optional)

Note – The # symbol in the Solaris operating environment address should be a numeral between 0 and 7. This numeral should describe the slice or partition on the drive.

4.5.2 DVD-ROM Command Errors

Symptom

The DVD-ROM drive fails to respond to commands.

Action

Test the drive response to the `probe-scsi` command as follows:

Note – To bypass POST, type `setenv diag-switch? false` at the `ok` prompt if necessary, see Section 3.3, “Setting Up POST to Run in an OpenBoot PROM Environment” on page 3-4.

At the system `ok` prompt type:

```
ok reset-all
ok probe-scsi-all
```

If the DVD-ROM drive responds correctly to `probe-scsi all`, the message identified in CODE EXAMPLE 4-5 is displayed; the system SCSI controller has successfully probed the device. This is an indication that the motherboard is operating correctly.

If the drive does not respond to the SCSI controller probe, replace the unresponsive drive.

4.6 Power Supply Troubleshooting



Caution – This procedure must be performed by a qualified, Sun Blade 1000 and Sun Blade 2000 service-trained, maintenance provider. Persons who remove any of the outer panels to access the internal workstation hardware must observe all safety precautions and comply with skill level requirements, certification, and all applicable local and national laws.



Caution – During the power supply voltage measurement checks, an operational load must be connected to the power supply. Ensure that the power supply cables remain connected to the motherboard.

This section describes how to use a digital volt meter (DVM) to test the power supply under an operational load. See FIGURE 4-1 to identify the J3601 and J3603 power connectors.

1. Power off the workstation and remove the access panel.

See Chapter 5.



Caution – Use proper ESD grounding techniques when handling workstation components. Wear an antistatic wrist strap and use an antistatic mat. Store ESD-sensitive components in antistatic bags before placing them on any surface.

2. Defeat the interlock.

The interlock switch can be defeated by mechanically closing the switch while the access cover is removed from the workstation.



Caution – Hazardous voltages are present. To reduce the risk of electrical shock and danger to personal health, follow the instructions.

3. Power on the workstation.

4. Using a DVM, check the power supply output voltages.

See Appendix B and for power supply connector descriptions.

Note – All power supply connectors being tested must remain connected to the motherboard.

- a. With the negative probe of the DVM placed on a connector ground (Gnd) pin, position the positive probe on each power pin.
 - b. Verify voltage and signal availability as listed in the voltage-pin tables.
- 5. If any power pin signal is not present with the power supply active and properly connected to the motherboard, replace the power supply.**

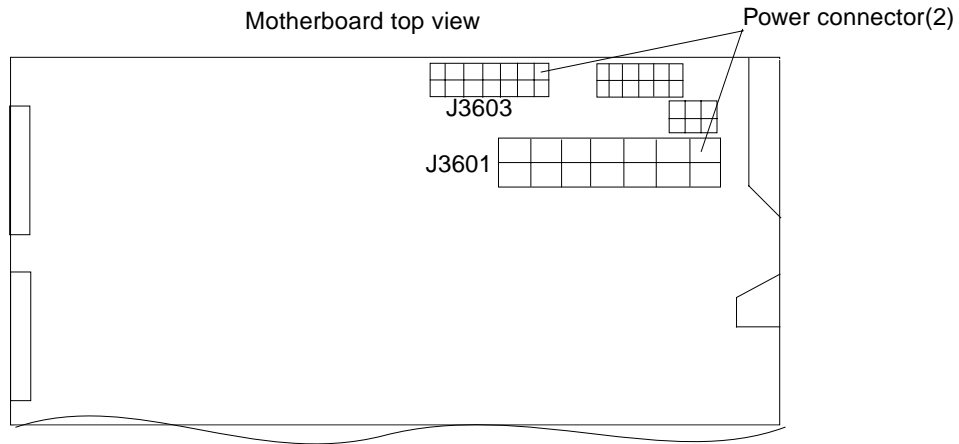


FIGURE 4-1 Power Supply Connector Jack Location

4.7 DIMM Failure

The Solaris operating environment, diagnostic program, or POST may not always display a DIMM location (U number) as part of a memory error message. In this situation the only available information is a physical memory address and failing byte (or bit).

4.8 OpenBoot PROM On-Board Diagnostics

The following sections describe the OpenBoot PROM on-board diagnostics. To execute the OpenBoot PROM on-board diagnostics, the system must be at the `ok` prompt.

- Section 4.8.1, “Watch-Clock Diagnostic” on page 4-9
- Section 4.8.2, “Watch-Net and Watch-Net-All Diagnostics” on page 4-9
- Section 4.8.3, “Probe-SCSI and Probe-SCSI-All Diagnostics” on page 4-10
- Section 4.8.4, “Test alias name, device path, -all Diagnostic” on page 4-11
- Section 4.8.5, “Graphics Card” on page 4-12

4.8.1 Watch-Clock Diagnostic

The watch-clock diagnostic displays the result as a seconds counter. During normal operation, the seconds counter repeatedly increments from 0 to 59. Initialize the watch-clock diagnostic by typing the `watch-clock` command at the `ok` prompt.

The following code example identifies the watch-clock diagnostic output message.

CODE EXAMPLE 4-1 Watch-Clock Diagnostic Output Message

```
{0} ok watch-clock
Watching the 'seconds' register of the real time clock chip.
It should be 'ticking' once a second.
Type any key to stop.
4
```

4.8.2 Watch-Net and Watch-Net-All Diagnostics

The watch-net and watch-net-all diagnostics monitor Ethernet packets on the Ethernet interfaces connected to the workstation. Good packets received by the workstation are indicated by a period (.). Errors such as the framing error and the cyclic redundancy check (CRC) error are indicated with an X and an associated error description. Initialize the watch-net diagnostic is by typing the `watch-net` command at the `ok` prompt and initialize the watch-net-all diagnostic by typing the `watch-net-all` command at the `ok` prompt.

The following code examples identify the watch-net and the watch-net-all output messages.

CODE EXAMPLE 4-2 Watch-Net Diagnostic Output Message

```
{0} ok watch-net
Internal loopback test -- succeeded.
Link is -- up
Looking for Ethernet Packets.
`.` is a Good Packet. `X` is a Bad Packet.
Type any key to stop.....
```

CODE EXAMPLE 4-3 Watch-Net-All Diagnostic Output Message

```
{0} ok watch-net-all
/pci@8,700000/network@5,1
Internal loopback test -- succeeded.
Link is -- up
Looking for Ethernet Packets.
`.` is a Good Packet. `X` is a Bad Packet.
Type any key to stop.
/pci@8,700000/network@5,1
```

4.8.3 Probe-SCSI and Probe-SCSI-All Diagnostics

The probe-SCSI diagnostic transmits an inquiry command to internal and external FC-AL and SCSI devices connected to the system on-board SCSI or FC-AL interface. If the SCSI device is connected and active, the target address, unit number, device type, and manufacturer name are displayed.

The probe-SCSI-all diagnostic transmits an inquiry command to all devices connected to the workstation. The first identifier listed in the display is the SCSI host adapter address in the system device tree followed by the SCSI device identification data.

Initialize the probe-SCSI diagnostic by typing the `probe-scsi` command at the `ok` prompt and initialize the probe-SCSI-all diagnostic by typing the `probe-scsi-all` command at the `ok` prompt.

The following code examples identify the probe-SCSI and the probe-SCSI-all diagnostic output messages.

CODE EXAMPLE 4-4 Probe-SCSI Diagnostic Output Message

```
ok probe-scsi
LiD HA --- Port WWN ---      ---- Disk description ----
1  1  210000203700ca78 SEAGATE ST39103FCSUN9.0G01479916021084
3  3  210000203708ad4d SEAGATE ST39102FCSUN9.0G09299906F45038
ok
```

CODE EXAMPLE 4-5 Probe-SCSI-All Output Message

```
ok probe-scsi-all
/pci@8,600000/scsi@4
LiD HA --- Port WWN --- ---- Disk description ----
3 3 210000203708ad4d SEAGATE ST39102FCSUN9.0G09299906F45038
1 1 210000203700ca78 SEAGATE ST39103FCSUN9.0G01479916021084
/pci@8,700000/scsi@6,1
Target 0
Unit 0 Disk SEAGATE ST39173W SUN9.0G2815
/pci@8,700000/scsi@6

Target 6
Unit 0 Removable Read Only device TOSHIBA DVD-ROM SD-
M12011B08

ok
```

4.8.4 Test *alias name*, *device path*, *-all* Diagnostic

The test diagnostic, combined with a device alias or device path, enables a device self-test program. If a device has no self-test program, the message `No selftest method for device name` is displayed. To enable the self-test program for a device, type the `test` command, followed by the device alias or device path name.

The following code example identifies the test output message. TABLE 4-3 lists `test alias name` selections, their descriptions, and their required preparation.

Note – The diskette drive is selected as the test *alias name* example.

CODE EXAMPLE 4-6 Test Output Message

```
ok test floppy
Testing floppy
```

TABLE 4-3 Selected OpenBoot PROM On-Board Diagnostic Tests

Type of Test	Description	Preparation
test screen	Tests workstation video graphics hardware and monitor.	diag-switch? NVRAM parameter must be true for the test to execute.
test floppy	Tests diskette drive response to commands.	A formatted diskette must be inserted into the diskette drive.
test net	Performs internal/external loopback test of the workstation auto-selected Ethernet interface.	An Ethernet cable must be attached to the workstation and to an Ethernet tap or hub. If the Ethernet cable is not correctly attached the external loopback test will fail.
test-all	Sequentially tests workstation-configured devices containing selftest.	Tests are sequentially executed in device-tree order (viewed with the show-devs command).

4.8.5 Graphics Card

The graphics card contains a built-in diagnostic test that is enabled through the OpenBoot PROM. The graphics card built-in diagnostic test verifies basic graphics functionality without booting the Solaris operating environment software.

To execute the built-in diagnostic test, the workstation must be at the `ok` prompt.

To initialize the graphics card diagnostic:

1. At the `ok` prompt, type:

```
ok setenv diag-switch? true
diag-switch? = true
```

2. At the ok prompt, type:

```
ok test screen
ok test screen
Testing screen
Starting IFB Selftest
(This will take an estimated
2-4 minutes for the full test)
Direct access frame buffer test:
    address test ov10 pass
    address test ov11 pass
    pattern test ov10 00 ff a5 5a pass
    pattern test ov11 00 ff a5 5a pass
    passed
Frame buffer color test:
    The frame buffer will be painted with:
        red in the top third
        green in the middle third
        blue in the bottom third.
Direct Burst memory test:
    address test db mem pass
    pattern test db mem 00 ff a5 5a pass
ok
```

3. When the graphics card on-board diagnostics are completed, type:

```
ok setenv diag-switch? false
diag-switch? = false
```

4.9 OpenBoot Diagnostics

The OpenBoot diagnostics is a menu-driven set of diagnostics that reside in flash PROM on the motherboard. OpenBootDiag can isolate errors in the following workstation components:

- Motherboard
- Diskette drive
- DVD-ROM drive
- Hard drive
- Any option card that contains an onboard self-test

OpenBootDiag performs root-cause failure analysis on the referenced devices by testing internal registers, confirming subsystem integrity, and verifying device functionality.

On the motherboard, OpenBootDiag tests not only the motherboard but also its interfaces:

- PCI
- SCSI
- Ethernet
- Serial
- Parallel

4.9.1 Starting the OpenBootDiag Menu

This section contains the following OpenBootDiag diagnostic information:

- Section 4.9.1, “Starting the OpenBootDiag Menu” on page 4-14
- Section 4.9.2, “QLC Diagnostic Output Message” on page 4-17
- Section 4.9.3, “Audio Output Message” on page 4-18
- Section 4.9.4, “bbc@1,0 Output Message” on page 4-18
- Section 4.9.5, “ebus@5 Output Message” on page 4-18
- Section 4.9.6, “firewire@5,2 Output Message” on page 4-19
- Section 4.9.7, “flashprom@0,0 Output Message” on page 4-19
- Section 4.9.8, “Floppy Output Message” on page 4-19
- Section 4.9.9, “gpio@1,300600 Output Message” on page 4-20
- Section 4.9.10, “i2c@1,2e Output Message” on page 4-20
- Section 4.9.11, “i2c@1,30 Output Message” on page 4-21
- Section 4.9.12, “network@5,1 Output Message” on page 4-21
- Section 4.9.13, “Parallel Port Output Message” on page 4-21
- Section 4.9.14, “pmc@1,300700 Output Message” on page 4-22
- Section 4.9.15, “rtc@1,300070 Output Message” on page 4-22
- Section 4.9.16, “scsi@6 Output Message” on page 4-22
- Section 4.9.17, “scsi@6,1 Output Message” on page 4-23
- Section 4.9.18, “Serial Output Message” on page 4-23
- Section 4.9.19, “USB Output Message” on page 4-23
- Section 4.9.20, “Test-All Output Message” on page 4-24

Note – Set the `diag-level` variable to `min` prior to performing these tests. You can set the level at the `ok` prompt or within the `obdiag` menu.

Perform the following steps to start OpenBootDiag:

1. At the ok prompt, type:

```
ok setenv mfg-mode on
mfg-mode = on
```

2. Type:

```
ok setenv diag-switch? true
diag-switch? = true
```

3. Type:

```
ok setenv auto-boot? false
auto-boot? = false
```

4. Type:

```
ok reset-all
```

5. Verify that the platform resets (see the following code example).

CODE EXAMPLE 4-7 Reset All

```
ok reset-all
Resetting...
@(#) 4.0 common-23 Version 23 created 2000/04/19 16:09
Clearing TLBs Done
Reset: 0000.0000.0000.0010 SPOR
Loading Configuration
Membase: 0000.0000.0000.0000
MemSize: 0000.0000.2000.0000
Init CPU arrays Done
Init E$ tags Done
Setup TLB Done
MMUs ON
Block Scrubbing Done
Copy Done
PC = 0000.07ff.f000.2f84
PC = 0000.0000.0000.2ff8
```

CODE EXAMPLE 4-7 Reset All

```
Decompressing Done
Size = 0000.0000.0006.da00
ttya initialized
Start Reason: Soft Reset
System Reset: (SPOR)
Probing gptwo at 0,0 SUNW,UltraSPARC III (400 MHz @ 4:1, 4 MB)
memory controller

Probing gptwo at 1,0 Nothing there
Probing gptwo at 8,0 pci pci upa ppm
Loading Support Packages: kbd-translator
Loading onboard drivers: ebus flashprom bbc ppm i2c dimm dimm dimm
dimm
nvram idprom i2c cpu sensor fan-control card-reader motherboard
beep
    audio rtc gpio pmc floppy parallel serial
Memory Configuration:
Segment @ Base:      0   Size:   512 MB ( 2-Way)
Can't read mem-layout table from sys SEEPROM. Using default!

WARNING: HOSTID data should be moved to socketed SEEPROM!
HW support required for hostid reprogramming!

Probing /upa@8,480000 Device 0,0 Nothing there
Probing /upa@8,480000 Device 1,0 Nothing there
Probing /pci@8,600000 Device 4   scsi disk
Probing /pci@8,600000 Device 1   Nothing there
Probing /pci@8,700000 Device 5   network firewire usb
Probing /pci@8,700000 Device 6   scsi disk tape scsi disk tape
Probing /pci@8,700000 Device 1   Nothing there
Probing /pci@8,700000 Device 2   Nothing there
Probing /pci@8,700000 Device 3   Nothing there
Probing /pci@8,700000 Device 4   Nothing there

(UltraSPARC III), No Keyboard
OpenBoot 4.0 common-23, 512 MB memory installed, Serial #8839885.
Ethernet address 8:0:20:86:e2:cd, Host ID: 8086e2cd.
```

- 6. At the ok prompt, type obdiag. Verify that the OBDiag menu is displayed (CODE EXAMPLE 4-8).**

CODE EXAMPLE 4-8 OBDiag Menu

```
obdiag
1 SUNW,qlc@4      2 audio@1,200000    3 bbc@1,0
4 ebus@5          5 firewire@5,2      6 flashprm@0,0
7 floppy@1,3023f0 8 gpio@1,300600     9 i2c@1,2e
10 i2c@1,30       11 network@5,1      12 parallel@1,3000278
13 pmc@1,300700   14 rtc@1,300070     15 scsi@6
16 scsi@6,1       17 serial@1,400000  18 usb@5,3

|Commands:test test-all except help what printenvs setenv
versions exit|
```

The following menu is displayed when the `help` command is executed.

Command	Description
<code>exit</code>	Exits obdiag tool
<code>help</code>	Prints this help information
<code>setenv</code>	Sets diagnostic configuration variable to new value
<code>printenvs</code>	Prints values for diagnostic configuration variables
<code>versions</code>	Prints self tests, library and obdiag tool versions
<code>test-all</code>	Tests all devices displayed in the menu
<code>test 1,2,5</code>	Tests devices 1, 2, and 5
<code>except 2,5</code>	Tests all devices except devices 2 and 5
<code>what 1,2,5</code>	Prints some selected properties for devices 1, 2, and 5

4.9.2 QLC Diagnostic Output Message

The following code example shows the QLC test output.

CODE EXAMPLE 4-9 QLC Diagnostic Output Message

```
obdiag> test 01
Hit the spacebar to interrupt testing
Testing /pci@8,600000/SUNW,qlc@4.....passed
Hit any key to return to main menu
```

4.9.3 Audio Output Message

The following code example shows the Audio output message.

CODE EXAMPLE 4-10 Audio Diagnostic Output Message

```
obdiag> test 02
Hit the spacebar to interrupt testing
Testing /pci@8,700000/ebus@5/audio@1,200000.....passed
Hit any key to return to the main menu
```

4.9.4 bbc@1,0 Output Message

The following code example shows the bbc@1,0 output message

CODE EXAMPLE 4-11 bbc@1,0 Diagnostic Output Message

```
obdiag> test 03
Hit the spacebar to interrupt testing
Testing /pci@8,700000/ebus@5/bbc@1,0
..... passed
Hit any key to return to the main menu
```

4.9.5 ebus@5 Output Message

The following code example shows the ebus output message.

CODE EXAMPLE 4-12 ebus@5 Diagnostic Output Message

```
obdiag> test 04
Hit the spacebar to interrupt testing
Testing /pci@8,700000/ebus@5
..... passed
Hit any key to return to the main menu
```

4.9.6 firewire@5,2 Output Message

The following code example shows the firewire output message.

CODE EXAMPLE 4-13 Firewire Output Message

```
obdiag> test 05
Hit the spacebar to interrupt testing
Testing /pci@8,700000/firewire@5,2
..... passed
Hit any key to return to the main menu
```

4.9.7 flashprom@0,0 Output Message

The following code example shows the flashprom output message

CODE EXAMPLE 4-14 Flashprom@0,0 Output Message

```
obdiag> test 06
Hit the spacebar to interrupt testing
Testing /pci@8,700000/ebus@5/flashprom@0,0
..... passed
Hit any key to return to the main menu
```

4.9.8 Floppy Output Message

The floppy diagnostic verifies the diskette drive controller initialization. It also validates the status of a selected disk drive and reads the diskette drive header.

The following code example shows the floppy output message.

CODE EXAMPLE 4-15 Floppy Diagnostic Output Message

```
obdiag> test 07
Hit the spacebar to interrupt testing
Testing /pci@8,700000/ebus@5/floppy@1,3023f0
```

CODE EXAMPLE 4-15 Floppy Diagnostic Output Message (*Continued*)

```
..... passed  
Hit any key to return to the main menu
```

4.9.9 gpio@1,300600 Output Message

The following code example shows the gpio output message.

CODE EXAMPLE 4-16 gpio Output Message

```
obdiag> test 08  
Hit the spacebar to interrupt testing  
Testing /pci@8,700000/ebus@5/gpio@1,300600  
..... passed  
Hit any key to return to the main menu
```

4.9.10 i2c@1,2e Output Message

The following code example shows the i2c1,2e output message.

CODE EXAMPLE 4-17 I2c@1,2e Diagnostic Output Message with Tip Line Installed

```
obdiag> test 09  
Hit the spacebar to interrupt testing  
Testing /pci@8,700000/ebus@5/i2c@1,2e  
..... passed  
Hit any key to return to the main menu
```

4.9.11 i2c@1,30 Output Message

The following code example shows the i2c@1,30 output message.

CODE EXAMPLE 4-18 I2c@1,30 Diagnostic Output Message

```
obdiag> test 10
Hit the spacebar to interrupt testing
Testing /pci@8,700000/ebus@5/i2c@1,30
..... passed
Hit any key to return to the main menu
```

4.9.12 network@5,1 Output Message

The following code example shows the network@5,1 output message.

CODE EXAMPLE 4-19 Network@5.1 Diagnostic Output Message

```
obdiag> test 11
Hit the spacebar to interrupt testing
Testing /pci@8,700000/network@5,1
..... passed
Hit any key to return to the main menu
```

4.9.13 Parallel Port Output Message

The following code example shows the parallel port output message.

CODE EXAMPLE 4-20

```
obdiag> test 12
Hit the spacebar to interrupt testing
Testing /pci@8,700000/ebus@5/parallel@1,300278
..... passed
Hit any key to return to the main menu
```

4.9.14 pmc@1,300700 Output Message

The following code example shows the pmc@1,300700 output message.

CODE EXAMPLE 4-21 pmc@1,300700 Output Message

```
obdiag> test 13
Hit the spacebar to interrupt testing
Testing /pci@8,700000/ebus@5/pmc@1,300700
..... passed
Hit any key to return to the main menu
```

4.9.15 rtc@1,300070 Output Message

The following code example shows the rtc@1,300070 output message

CODE EXAMPLE 4-22 rtc@1,300070 Diagnostic Output Message

```
obdiag> test 14
Hit the spacebar to interrupt testing
Testing /pci@8,700000/ebus@5/rtc@1,300070
..... passed
Hit any key to return to the main menu
```

4.9.16 scsi@6 Output Message

The following code example shows the scsi@6 output message

CODE EXAMPLE 4-23 scsi@6 Diagnostic Output Message

```
obdiag> test 15
Hit the spacebar to interrupt testing
Testing /pci@8,700000/scsi@6
.....passed
```

4.9.17 scsi@6,1 Output Message

The following code example shows the scsi@6,1 output message.

CODE EXAMPLE 4-24 scsi@6 Diagnostic Output Message

```
obdiag> test 16
Hit the spacebar to interrupt testing
Testing /pci@8,700000/scsi@6,1
..... passed
Hit any key to return to the main menu
```

4.9.18 Serial Output Message

The following code example shows the serial output message.

CODE EXAMPLE 4-25 Serial Diagnostic Output Message

```
obdiag> test 17
Hit the spacebar to interrupt testing
Testing /pci@8,700000/ebus@5/serial@1,400000
..... passed
Hit any key to return to the main menu
```

4.9.19 USB Output Message

The following code example shows the USB output message.

CODE EXAMPLE 4-26 Serial Diagnostic Output Message

```
obdiag> test 18
Hit the spacebar to interrupt testing
Testing /pci@8,700000/usb@5,3
..... passed
Hit any key to return to the main menu
```

4.9.20 Test-All Output Message

The test-all diagnostic runs all tests in sequence.

Note – You may exclude certain tests using the except command.

The following code example shows the test-all output message.

CODE EXAMPLE 4-27 Test-all Diagnostic Output Message

```
obdiag> test-all
Hit the spacebar to interrupt testing
Testing /pci@8,60000/SUNW,qlc@4.....passed
Testing /pci@8,70000/ebus@5/audio@1,200000 ..... ..passed
Testing /pci@8,70000/ebus@5/bbc@1,0 ..... passed
Testing /pci@8,70000/ebus@5 ..... passed
Testing /pci@8,70000/firewire@5,2 ..... passed
Testing /pci@8,70000/ebus@5/flashprom@0,0 ..... passed
Testing /pci@8,70000/ebus@5/floppy@1,3023f0... ..... passed
Testing /pci@8,70000/ebus@5/gpio@1,300600 ..... passed
Testing /pci@8,70000/ebus@5/i2c@1,2e ..... passed
Testing /pci@8,70000/ebus@5/i2c@1,30 ..... passed
Testing /pci@8,70000/network@5,1 ..... passed
Testing /pci@8,70000/ebus@5/parallel@1,300278 ..... passed
Testing /pci@8,70000/ebus@5/pmc@1,300700 .....passed
Testing /pci@8,70000/ebus@5/rtc@1,300070 .....passed
Testing /pci@8,70000/scsi@6 ..... passed
Testing /pci@8,70000/scsi@6,1 ..... passed
Testing /pci@8,70000/ebus@5/serial@1,400000 .....passed
Testing /pci@8,70000/usb@5,3 .....passed
Hit any key to return to the main menu
```


Preparing for Component Removal and Replacement

This chapter describes how to prepare for removal and replacement of internal workstation components.



Caution – To prevent equipment damage, review the safety requirements, safety symbols, and safety precautions in this chapter before you remove or replace workstation components.

This chapter contains the following topics:

- Section 5.1, “Safety Requirements” on page 5-2
- Section 5.2, “Safety Symbols” on page 5-2
- Section 5.3, “Safety Precautions” on page 5-3
- Section 5.4, “Tools Required” on page 5-5
- Section 5.5, “Powering Off the Workstation” on page 5-5
- Section 5.6, “Removing the Access Panel” on page 5-8
- Section 5.7, “Attaching the Antistatic Wrist Strap” on page 5-10

5.1 Safety Requirements

For your protection, observe the following safety precautions when setting up the equipment:

- Follow all cautions, warnings, and instructions marked on the equipment.
- Ensure that the voltages and frequency rating of the power receptacle match the electrical rating label on the equipment.
- Never push objects of any kind through openings in the equipment. They may touch dangerous voltage points or may short components, resulting in fire or electric shock.
- Refer the servicing of equipment to qualified personnel.

5.2 Safety Symbols

Note the following symbols and their meanings:



Caution – To avoid personal injury and equipment damage, follow the instructions.



Caution – Hazardous voltages are present. To reduce the risk of electric shock and personal injury, follow the instructions.



Caution – Avoid contact. Surfaces are hot and may cause personal injury if touched.

5.3 Safety Precautions

Follow all safety precautions.

5.3.1 Modification to Equipment



Caution – Do not make mechanical or electrical modifications to the equipment. Sun Microsystems is not responsible for regulatory compliance of a modified Sun product.

5.3.2 Placement of a Sun Product



Caution – To ensure reliable operation of the Sun product and to protect it from overheating, ensure that equipment openings are not blocked or covered. Never place a Sun product near a radiator or hot air register.

5.3.3 Power Cord Connection



Caution – Not all power cords have the same current ratings. Household extension cords do not have overload protection. Do not use household extension cords with a Sun product.



Caution – The power switch on this product functions as a standby-type device only. The power cord serves as the primary disconnect device for the workstation. Be sure to connect the power cord into a grounded electrical receptacle that is near the workstation and is readily accessible. Do not connect the power cord when the power supply has been removed from the workstation chassis.

5.3.4 Electrostatic Discharge



Caution – The boards and hard drives contain electronic components that are extremely sensitive to static electricity. Ordinary amounts of static electricity from clothing or the work environment can destroy components. Do not touch the components themselves or any metal parts. Wear an antistatic wrist strap when handling the drive assemblies, boards, or cards.



Caution – Wear an antistatic wrist strap and use an antistatic mat when handling components. When servicing or removing workstation components, attach an ESD strap to your wrist and then to a metal area on the chassis. Then disconnect the power cord from the workstation and the wall receptacle. Following this caution equalizes all electrical potentials with the workstation.

5.3.5 Lithium Battery



Caution – The workstation contains a replaceable lithium battery, part number 150-2850. Lithium batteries may explode if mishandled. Do not dispose of a battery in fire. Do not disassemble a battery or attempt to recharge it.

5.4 Tools Required

The following tools are required for servicing Sun Blade 1000 and Sun Blade 2000 workstations:

- No. 2 Phillips screwdriver (magnetized tip suggested)
- Needle-nose pliers
- Grounding wrist strap
- CPU module torque-indicator tool, located in the hard drive bracket or behind the Smart card reader
- Digital voltage meter (DVM)
- Antistatic mat
- 5/16-inch nut driver

Place ESD-sensitive components such as the motherboard, circuit cards, hard drives, and the EEPROM on an antistatic mat. The following items can be used as an antistatic mat:

- Bag used to wrap a Sun replacement part
- Shipping container used to package a Sun replacement part
- Access panel, inner side (metal part) of the workstation
- Sun ESD mat, part number 250-1088 (available through your Sun sales representative)
- Disposable ESD mat (shipped with replacement parts or optional system features)

5.5 Powering Off the Workstation

Perform the following procedure to power off the workstation. If necessary, view the ShowMe How video clip located on the Sun Blade 1000 and Sun Blade 2000 Documentation CD-ROM.

Note – If it is necessary to power on the workstation, see Section 9.2, “Powering On the Workstation” on page 9-4.



Caution – Prior to turning off the workstation power, save, back up, and close any open files. Notify affected users that you are powering off your workstation.

1. To power off the workstation:

a. If the Solaris OS *is* running in a windowing environment:

- i. Press and release the front panel power switch (FIGURE 5-1) to automatically shut down all programs, the Solaris operating environment, and to power off the workstation.
 - ii. From the menu displayed on the workstation monitor, select Shutdown.
- b. If the Solaris OS *is not* running in a windowing environment:
- i. Press the front panel power switch (FIGURE 5-1) to power off the workstation.
This action allows automatic shutdown of all programs, the Solaris operating environment and to power off the workstation.
- c. If the workstation is at the `ok` prompt (OpenBoot interface) press and hold the front panel power switch for four seconds (see FIGURE 5-1) to power off the workstation.
This action forces an immediate power off of the workstation.



Caution – Pressing the power switch does not remove all power from the workstation; a trickle current remains in the power supply. To remove all power from the workstation, disconnect the power cord.

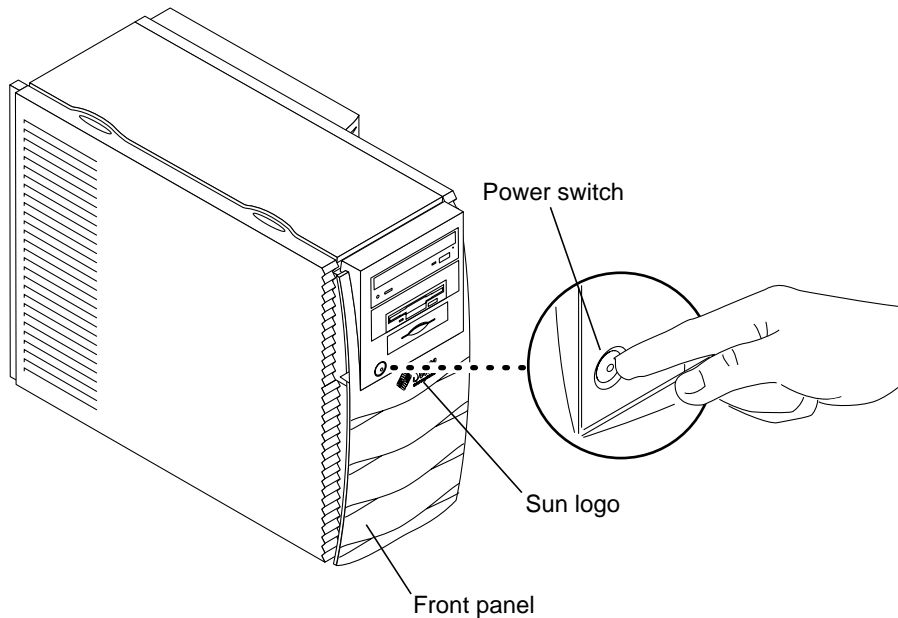


FIGURE 5-1 Workstation Power Switch

2. Verify the following:

- a. That the backlit Sun logo on the front panel is off.**
- b. That the workstation fans are not spinning.**



Caution – Disconnect the power cord prior to servicing workstation components.

- 3. Turn off the power to the monitor and other external peripherals.**
- 4. Disconnect cables to any peripheral equipment.**
- 5. Remove the lock block, if one is installed (FIGURE 5-2).**

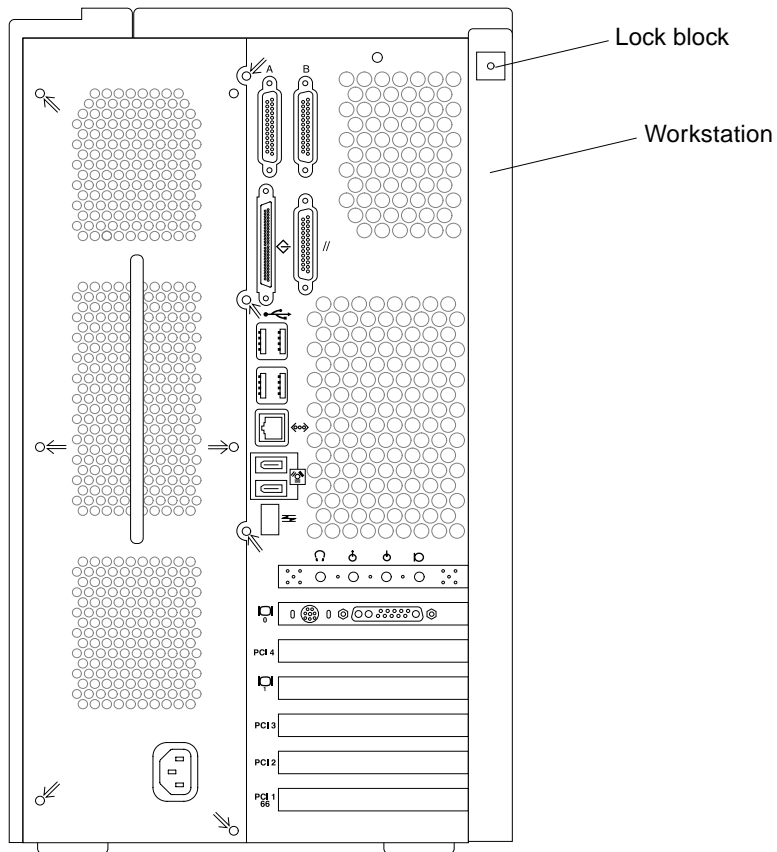


FIGURE 5-2 Lock Block Location

5.6 Removing the Access Panel

To remove the access panel (FIGURE 5-3):

Note – Removing the access panel activates the workstation power interlock circuit. If the power cord is connected, this safety mechanism prevents all DC voltages (except 5 VDC standby power) from reaching any internal components when the access panel is removed.

1. **Press down on the two depressions at the top of the access panel (see FIGURE 5-3)**
2. **Tilt the top of the access panel about an inch away from the chassis.**
3. **Lift the access panel up.**
4. **Lift the access panel off.**

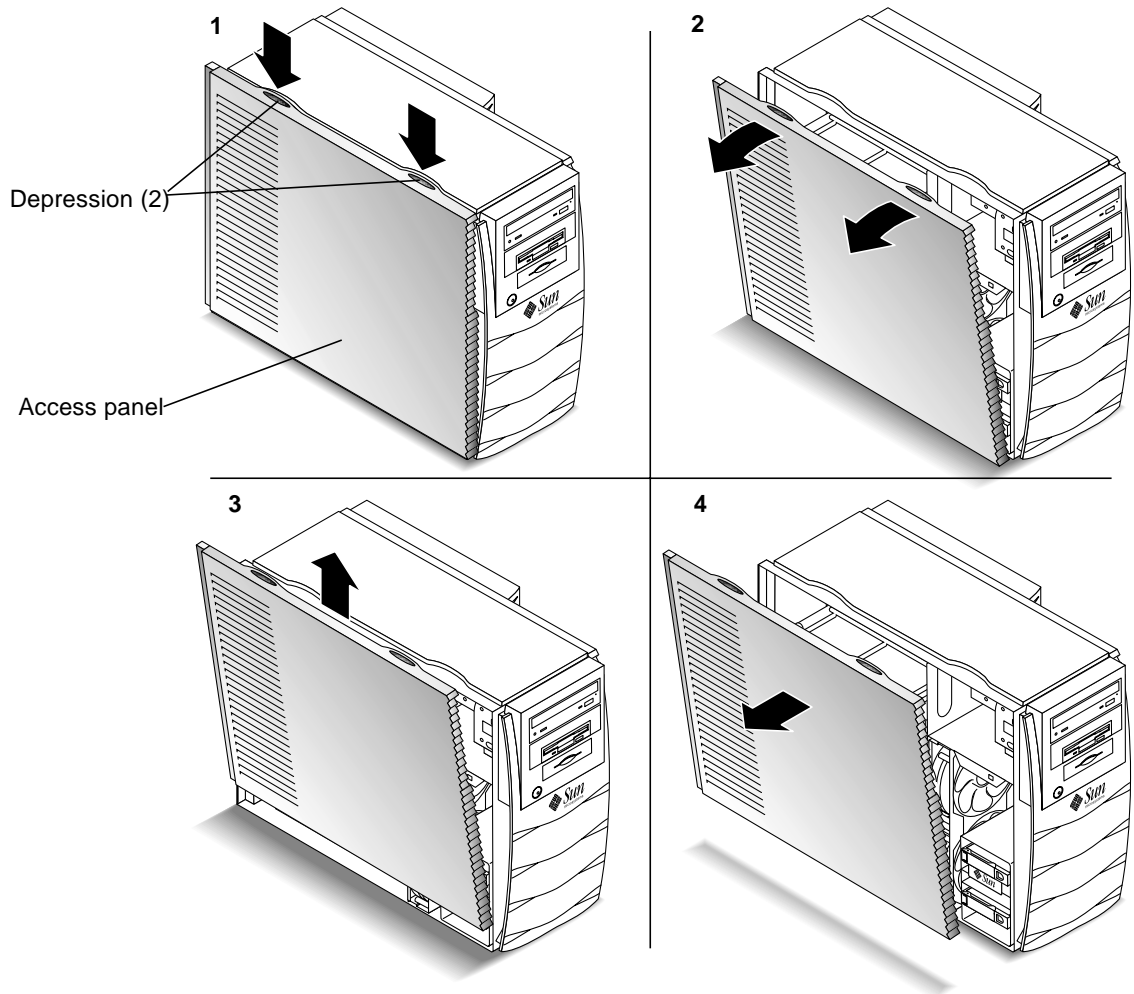


FIGURE 5-3 Removing the Access Panel

5.7 Attaching the Antistatic Wrist Strap



Caution – Wear an antistatic wrist strap and use an antistatic mat when handling components. When servicing or removing workstation components, attach an antistatic strap to your wrist and then to a metal area on the chassis. Then disconnect the power cord from the workstation and the wall receptacle. Following this caution equalizes all electrical potentials within the workstation.

1. **Unwrap the first two folds of the antistatic wrist strap and wrap the adhesive side firmly against your wrist.**
2. **Peel the liner from the copper foil at the opposite end of the antistatic wrist strap.**
3. **Attach the copper end of the antistatic wrist strap to the chassis (FIGURE 5-4).**
4. **Disconnect the power cord.**

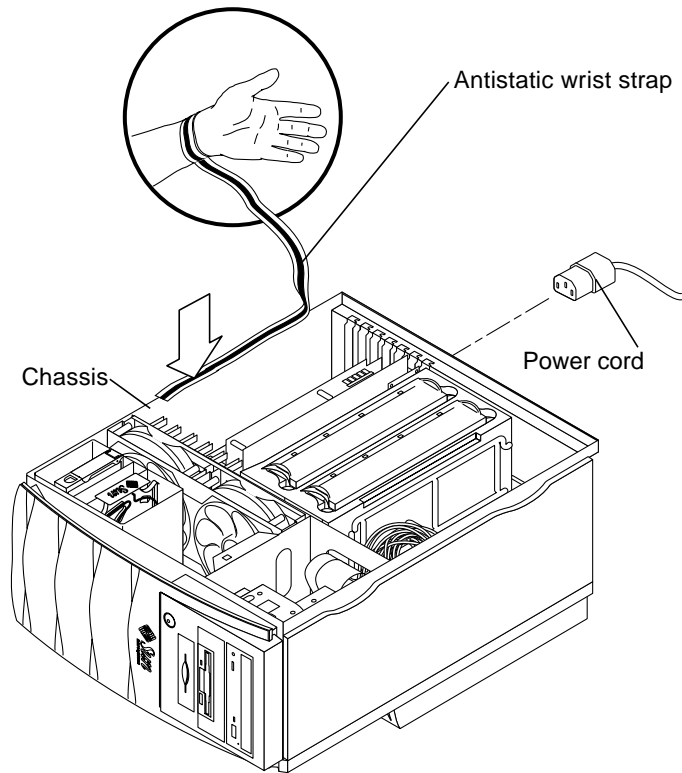


FIGURE 5-4 Attaching the Antistatic Wrist Strap to the Chassis

Removing and Replacing Major Subassemblies

This chapter describes how to remove and replace the following major subassemblies:

- Section 6.1, “Power Supply Assembly” on page 6-1
- Section 6.2, “Power Switch Assembly” on page 6-5
- Section 6.3, “Cable Assemblies” on page 6-7
- Section 6.4, “Interlock Switch Assembly” on page 6-19
- Section 6.5, “Fan Assemblies” on page 6-21
- Section 6.6, “Fan Bracket” on page 6-23
- Section 6.7, “Speaker Assembly” on page 6-25
- Section 6.8, “FC-AL Backplane Assembly” on page 6-27
- Section 6.9, “Chassis Foot” on page 6-29
- Section 6.10, “Filler Panels” on page 6-31

6.1 Power Supply Assembly

Perform the following procedures to remove and replace the power supply assembly.

Removing the Power Supply Assembly

1. Power off the workstation and remove the access panel.

See Section 5.5, “Powering Off the Workstation” on page 5-5.



Caution – Use proper ESD grounding techniques when handling components. Wear an antistatic wrist strap and use an antistatic mat. Store ESD-sensitive components in antistatic bags before placing them on any surface.

2. Squeeze the connectors to disengage them from the motherboard. Now, disconnect the two power supply assembly connectors, J3601 and J3603, from the motherboard (FIGURE 6-2).
3. Loosen the reusable cable tie in the upper-right corner of the chassis cutout that secures the two power supply cables. (FIGURE 6-1)

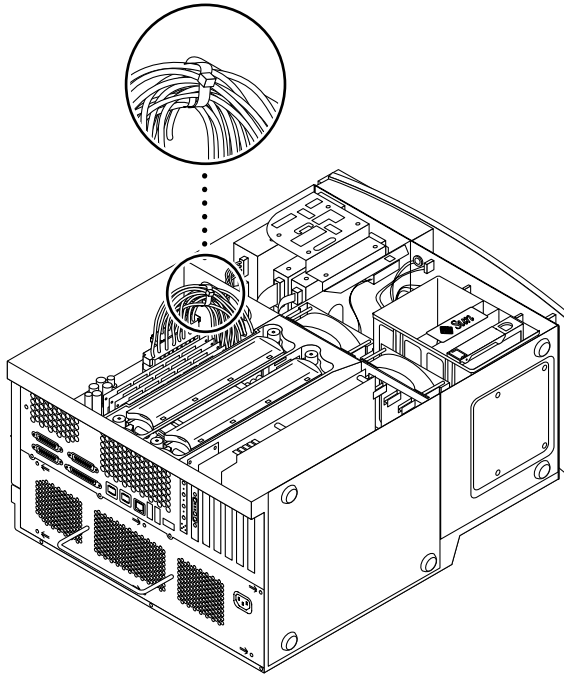


FIGURE 6-1 Power Supply Cable Tie

4. Using a No. 2 Phillips screwdriver, remove the six screws securing the power supply assembly to the chassis back panel (FIGURE 6-3).
5. Remove the power supply from the chassis by pulling on the power supply assembly handle.

Push the power supply cable connectors through the chassis cutout while slowly pulling the power supply out.

Note – Support the power supply assembly with one hand as you remove it from the chassis.

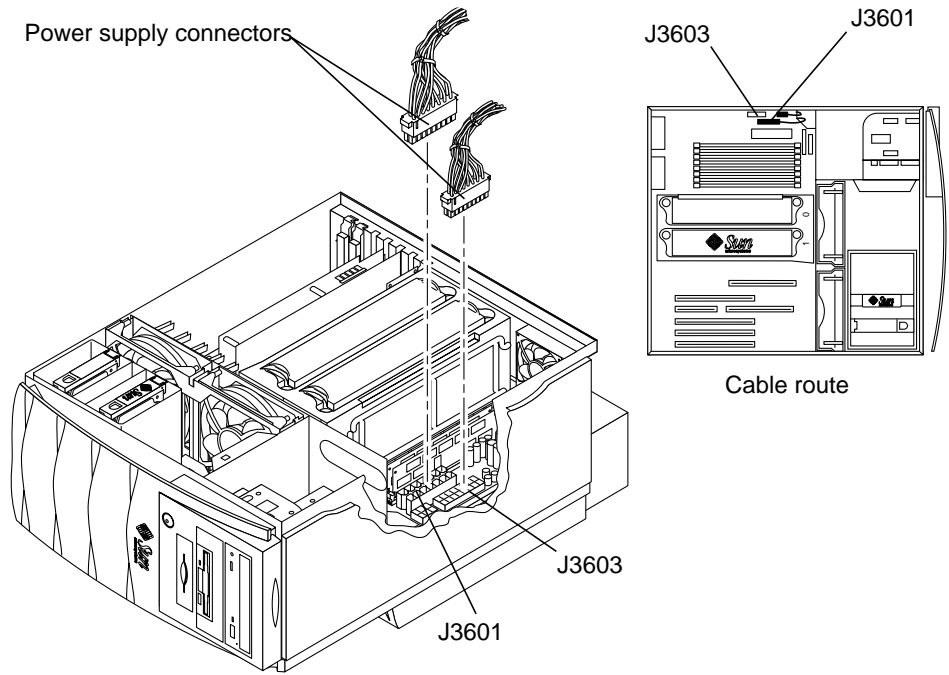


FIGURE 6-2 Removing and Replacing the Power Supply Assembly

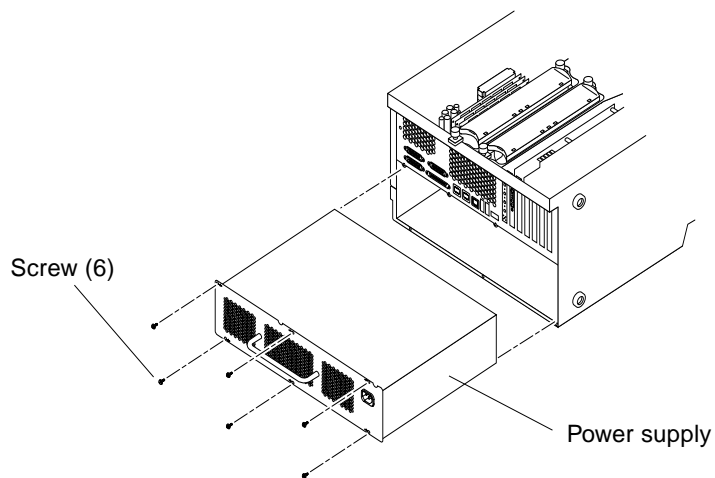


FIGURE 6-3 Removing and Replacing the Connectors for the Power Supply Assembly

6.1.1 Replacing the Power Supply Assembly

Perform the following procedures to remove and replace the power supply assembly. If necessary, view the ShowMe How video clip located on the Sun Blade 1000 and Sun Blade 2000 Hardware Documentation CD-ROM.



Caution – Use proper ESD grounding techniques when handling components. Wear an antistatic wrist strap and use an antistatic mat. Store ESD-sensitive components in antistatic bags before placing them on any surface.

1. Tuck the power supply cables into the plastic retainer bracket (FIGURE 6-4).

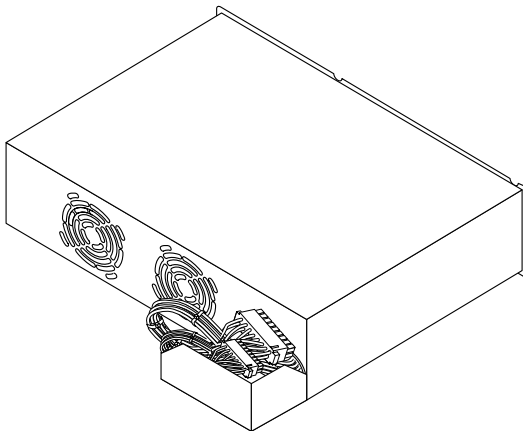


FIGURE 6-4 Dressing the Power Supply Cables

2. Place the power supply into the chassis.
3. Tip up the front of the power supply as you slide it in the chassis, so that the front edge of the power supply engages the chassis tab under the motherboard.
4. Pull the power supply cables through the cutout at the upper-right corner of the motherboard.
5. Connect the power supply assembly connectors to the motherboard connectors J3601 and J3603 (FIGURE 6-2).
6. Attach the reusable cable tie around the power supply cables (FIGURE 6-1).
7. Using a No. 2 Phillips screwdriver, replace the six screws securing the power supply assembly to the chassis back panel (FIGURE 6-3).

8. **Detach the antistatic wrist strap, replace the access panel, and power on the workstation.**

See Chapter 9.

6.2 Power Switch Assembly

Use the following procedures to remove and replace the power switch assembly.

6.2.1 Removing the Power Switch Assembly

1. **Power off the workstation, remove the access panel, and attach the antistatic wrist strap.**

See Chapter 5.



Caution – Use proper ESD grounding techniques when handling components. Wear an antistatic wrist strap and use an antistatic mat. Store ESD-sensitive components in antistatic bags before placing them on any surface.

2. **Remove the peripheral bezel assembly by pressing on top of the bezel and tilting it out from the workstation chassis.**
3. **Using a 5/16-inch nutdriver, remove the nut securing the power switch assembly to the chassis (FIGURE 6-5).**
4. **Remove the combined cable assembly connectors from the power switch assembly terminators.**
5. **Remove the power switch assembly.**

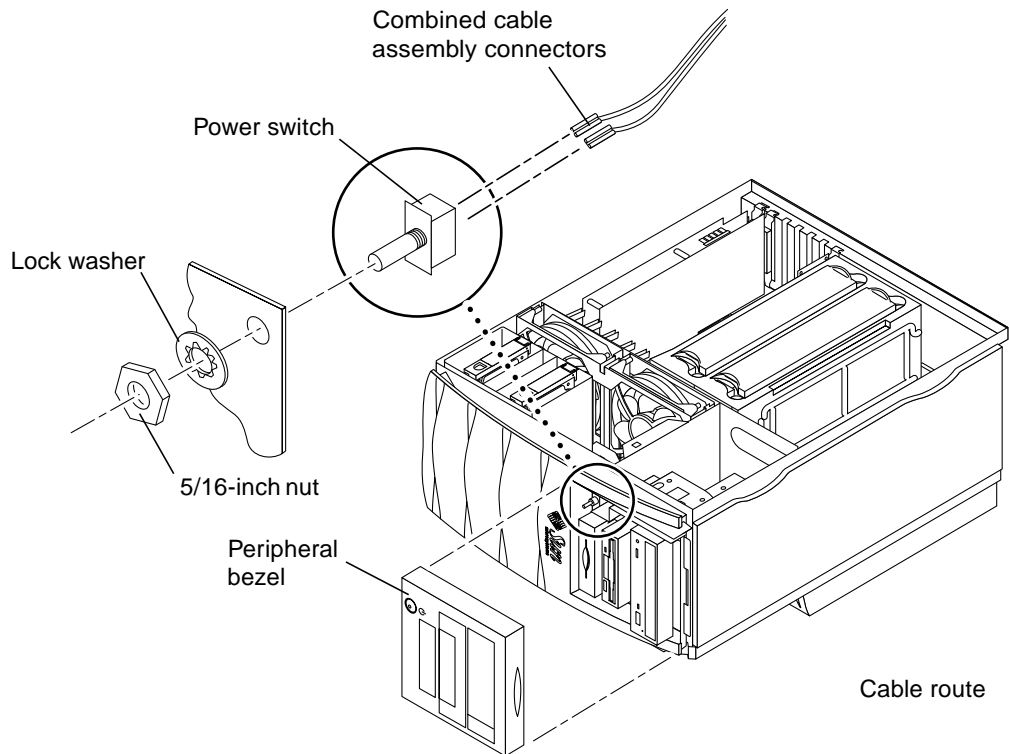


FIGURE 6-5 Removing and Replacing the Power Switch Assembly

6.2.2

Replacing the Power Switch Assembly



Caution – Use proper ESD grounding techniques when handling components. Wear an antistatic wrist strap and use an antistatic mat. Store ESD-sensitive components in antistatic bags before placing them on any surface.

1. Position the power switch assembly in the chassis cutout (FIGURE 6-5).
2. Connect the combined cable assembly connectors to the power switch assembly terminators.
3. Using a 5/16-inch nutdriver, replace the nut securing the power switch assembly to the chassis.
4. Replace the peripheral bezel assembly.

5. **Detach the antistatic wrist strap, replace the access panel, and power on the workstation.**

See Chapter 9.

6.3 Cable Assemblies

Use the following procedures to remove and replace these assemblies:

- Peripheral power cable assembly
- SCSI cable assembly
- Diskette drive cable assembly
- Smart card reader cable assembly
- Combined cable assembly
- Logo LED cable assembly

Note – Unconnected portions of the peripheral power cable assembly should remain clipped inside the chassis.

6.3.1 Removing the Peripheral Power Cable Assembly

1. **Power off the workstation, remove the access panel, and attach the antistatic wrist strap.**

See Chapter 5.



Caution – Use proper ESD grounding techniques when handling components. Wear an antistatic wrist strap and use an antistatic mat. Store ESD-sensitive components in antistatic bags before placing them on any surface.

2. **Remove the fan assembly and fan bracket.**

See Section 6.5.1, “Removing a Fan Assembly” on page 6-21 and Section 6.6.1, “Removing the Fan Bracket” on page 6-23.

3. **Partially remove the peripheral assembly to gain access to the peripheral connectors.**

See Section 7.2.1, “Removing the Peripheral Assembly” on page 7-3.

4. **Disconnect the peripheral power cable assembly as follows (FIGURE 6-6):**

- a. Disconnect the peripheral power cable assembly connector from the motherboard connector J3608.
 - b. Disconnect the peripheral power cable assembly connectors from the tape drive, DVD-ROM drive, diskette drive, and the FC-AL backplane assembly.
5. Lift the peripheral power cable assembly up and out of the chassis.

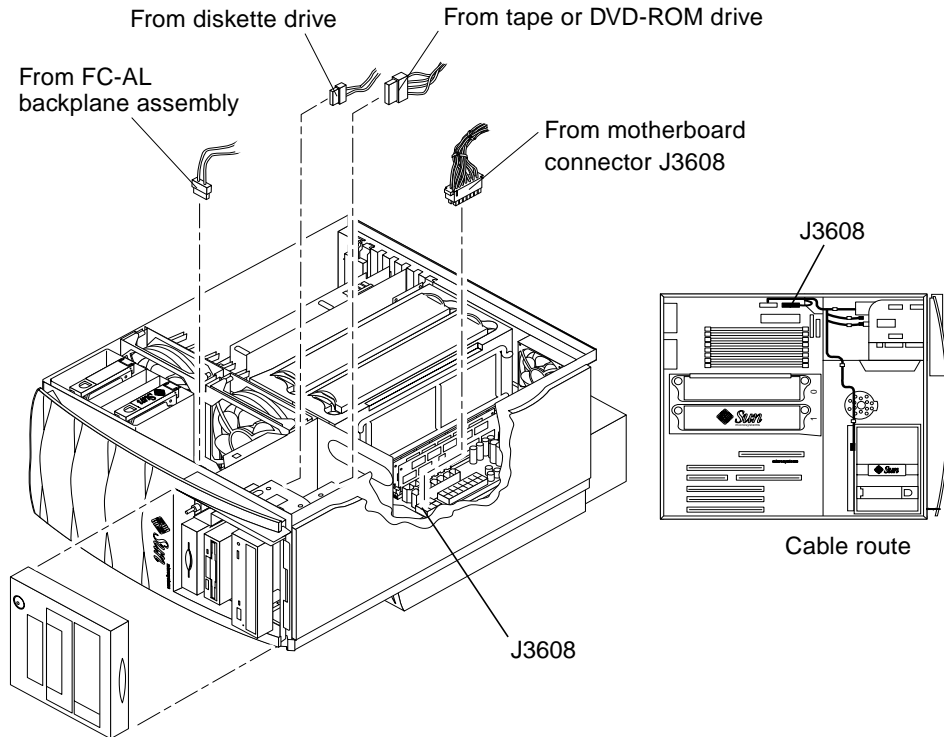


FIGURE 6-6 Removing and Replacing the Peripheral Power Cable Assembly

6.3.2

Replacing the Peripheral Power Cable Assembly



Caution – Use proper ESD grounding techniques when handling components. Wear an antistatic wrist strap and use an antistatic mat. Store ESD-sensitive components in antistatic bags before placing them on any surface.

1. Position the peripheral cable assembly in the chassis (FIGURE 6-6).
2. Connect the peripheral power cable assembly as follows (FIGURE 6-6):

- a. **Connect the peripheral power cable assembly connectors to the tape drive or DVD-ROM drive, diskette drive, and the FC-AL backplane assembly.**
 - b. **Connect the peripheral power cable assembly connector to the motherboard connector J3608.**
3. **Replace the fan assembly and fan bracket.**
See Section 6.5.2, “Replacing a Fan Assembly” on page 6-22 and Section 6.6.2, “Replacing the Fan Bracket” on page 6-24.
 4. **Reinstall the partially removed peripheral assembly removed earlier.**
 5. **Detach the antistatic wrist strap, replace the access panel, and power on the workstation.**
See Chapter 9.

6.3.3 Removing the SCSI Cable Assembly

1. **Power off the workstation, remove the access panel, and attach the antistatic wrist strap.**
See Chapter 5.



Caution – Use proper ESD grounding techniques when handling components. Wear an antistatic wrist strap and use an antistatic mat. Store ESD-sensitive components in antistatic bags before placing them on any surface.

2. **Disconnect the SCSI cable assembly as follows (FIGURE 6-7):**
 - a. **Disconnect the SCSI cable assembly from the from the tape or DVD-ROM drive.**
 - b. **Pass the SCSI cable assembly through the chassis cutout.**
Lift the SCSI cable assembly out of the sheet metal cable guides.
 - c. **Disconnect the SCSI cable assembly from the motherboard connector J5002.**
 - d. **Remove the SCSI cable assembly from the chassis.**

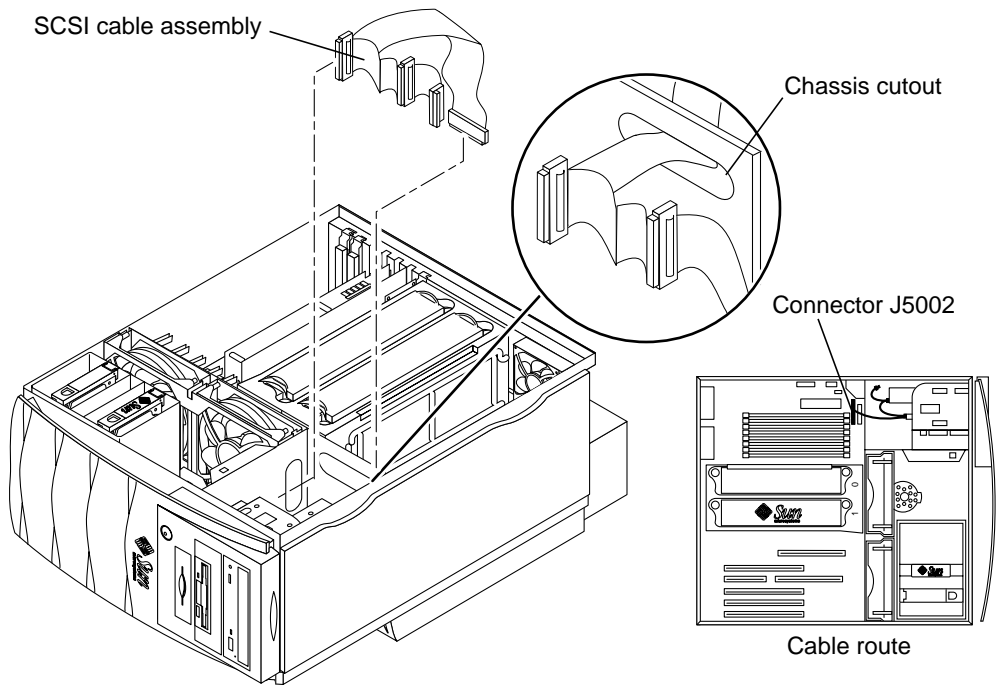


FIGURE 6-7 Removing and Replacing the SCSI Cable Assembly

6.3.4 Replacing the SCSI Cable Assembly



Caution – Use proper ESD grounding techniques when handling components. Wear an antistatic wrist strap and use an antistatic mat. Store ESD-sensitive components in antistatic bags before placing them on any surface.

1. **Connect the SCSI cable assembly as follows (FIGURE 6-7):**
 - a. **Pass the SCSI cable assembly through the chassis cutout.**
Route the SCSI cable assembly through the sheet metal cable guides.
 - b. **Connect the SCSI cable assembly to connector J5002 on the motherboard.**
 - c. **Connect the SCSI cable assembly connector to the Tape or DVD-ROM drive.**
2. **Detach the antistatic wrist strap, replace the access panel, and power on the workstation.**
See Chapter 9.

6.3.5 Removing the Diskette Drive Cable Assembly

1. **Power off the workstation, remove the access panel, and attach the antistatic wrist strap.**

See Chapter 5.



Caution – Use proper ESD grounding techniques when handling components. Wear an antistatic wrist strap and use an antistatic mat. Store ESD-sensitive components in antistatic bags before placing them on any surface.

2. **Disconnect the SCSI cable assembly at the motherboard connector J5002.**
3. **Disconnect the diskette drive cable assembly as follows (FIGURE 6-8):**
 - a. **Disconnect the diskette drive cable assembly from the motherboard diskette drive connector J1801.**
 - b. **Disconnect the diskette drive cable assembly from the rear of the diskette drive.**
4. **Feed the SCSI and diskette drive cables through the chassis cutout.**
5. **Remove the diskette drive cable assembly.**

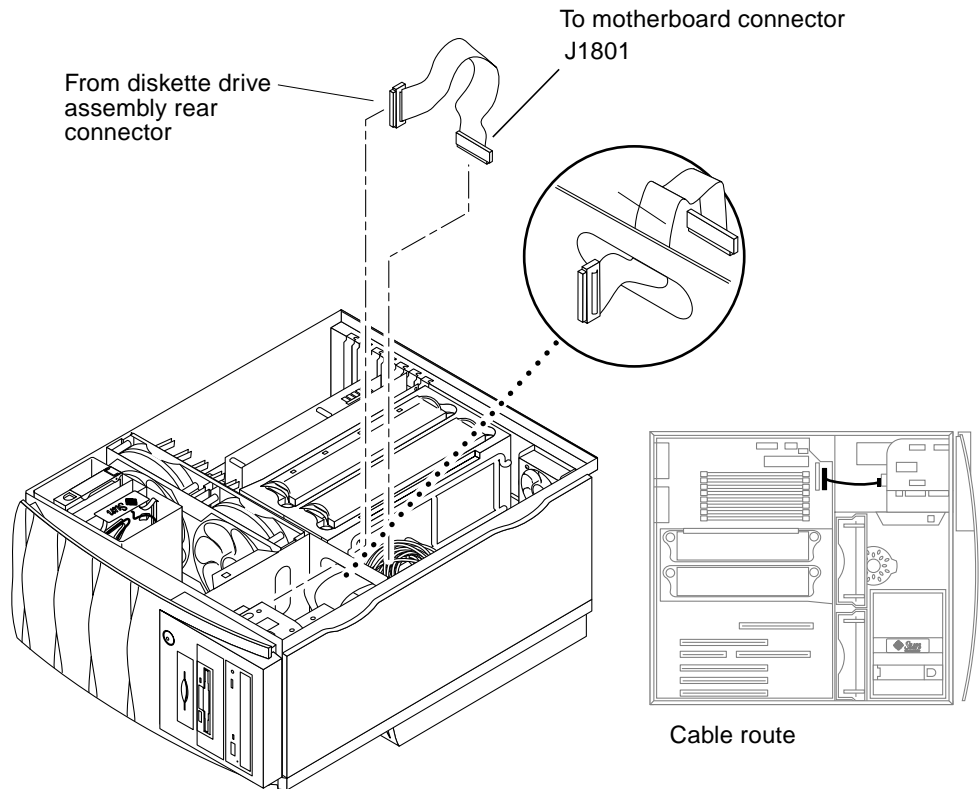


FIGURE 6-8 Removing and Replacing the Diskette Drive Cable Assembly

6.3.6

Replacing the Diskette Drive Cable Assembly



Caution – Use proper ESD grounding techniques when handling components. Wear an antistatic wrist strap and use an antistatic mat. Store ESD-sensitive components in antistatic bags before placing them on any surface.

1. **Position the diskette drive cable assembly in the chassis (FIGURE 6-8).**
2. **Connect the diskette drive cable assembly as follows (FIGURE 6-8):**
 - a. **Connect the diskette drive cable assembly to the motherboard diskette drive connector J1801.**
 - b. **Feed the diskette drive cable through the chassis cutout.**
 - c. **Feed the SCSI cable through the chassis cutout.**

- d. **Connect the diskette drive cable assembly to the rear of the diskette drive.**
 - e. **Connect the SCSI cable to J5002.**
3. **Detach the antistatic wrist strap, replace the access panel, and power on the workstation.**
See Chapter 9.

6.3.7 Removing the Smart Card Reader Cable Assembly

1. **Power off the workstation, remove the access panel, and attach the antistatic wrist strap.**
See Chapter 5.
2. **Disconnect the smart card reader cable assembly from the smart card reader (FIGURE 6-9).**
3. **Disconnect the smart card reader cable assembly from the motherboard connector J3904.**
4. **Remove the smart card reader cable assembly from the workstation.**

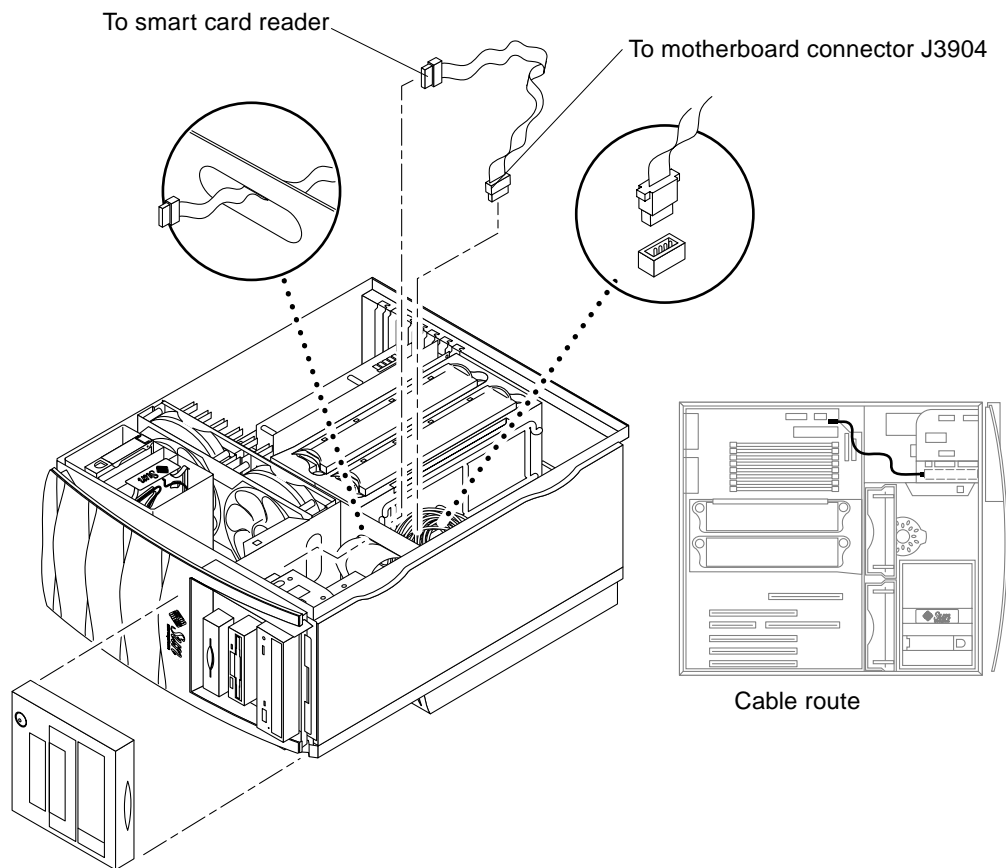


FIGURE 6-9 Removing and Replacing the Smart Card Reader Cable Assembly

6.3.8 Replacing the Smart Card Reader Cable Assembly

1. **Position the smart card reader cable assembly in the chassis (FIGURE 6-9).**
2. **Connect the smart card reader cable assembly to the smart card reader.**
3. **Connect the smart card reader cable assembly to the motherboard connector J3904.**
4. **Detach the antistatic wrist strap, replace the access panel, and power on the workstation.**

See Chapter 9.

6.3.9 Removing the Combined Cable Assembly

1. **Power off the workstation, remove the access panel, and attach the antistatic wrist strap.**

See Chapter 5.



Caution – Use proper ESD grounding techniques when handling components. Wear an antistatic wrist strap and use an antistatic mat. Store ESD-sensitive components in antistatic bags before placing them on any surface.

2. **Remove any PCI cards necessary to gain access to the combined cable assembly.**
See Section 8.3.1, “Removing a PCI Card” on page 8-20.
3. **Remove the CPU shroud cover.**
4. **Remove the fan bracket.**
See Section 6.6.1, “Removing the Fan Bracket” on page 6-23.
5. **Disconnect the combined cable assembly as follows (FIGURE 6-10):**
 - a. **Remove the combined cable assembly connectors from the interlock switch terminators.**
 - b. **Remove the combined cable assembly connectors from the power switch terminators.**
 - c. **Remove the combined cable assembly connectors from the speaker assembly terminators.**
 - d. **Remove the combined cable assembly connector from J3602 on the motherboard.**
6. **Remove the LED from the chassis and lift the combined cable assembly up and out from chassis.**

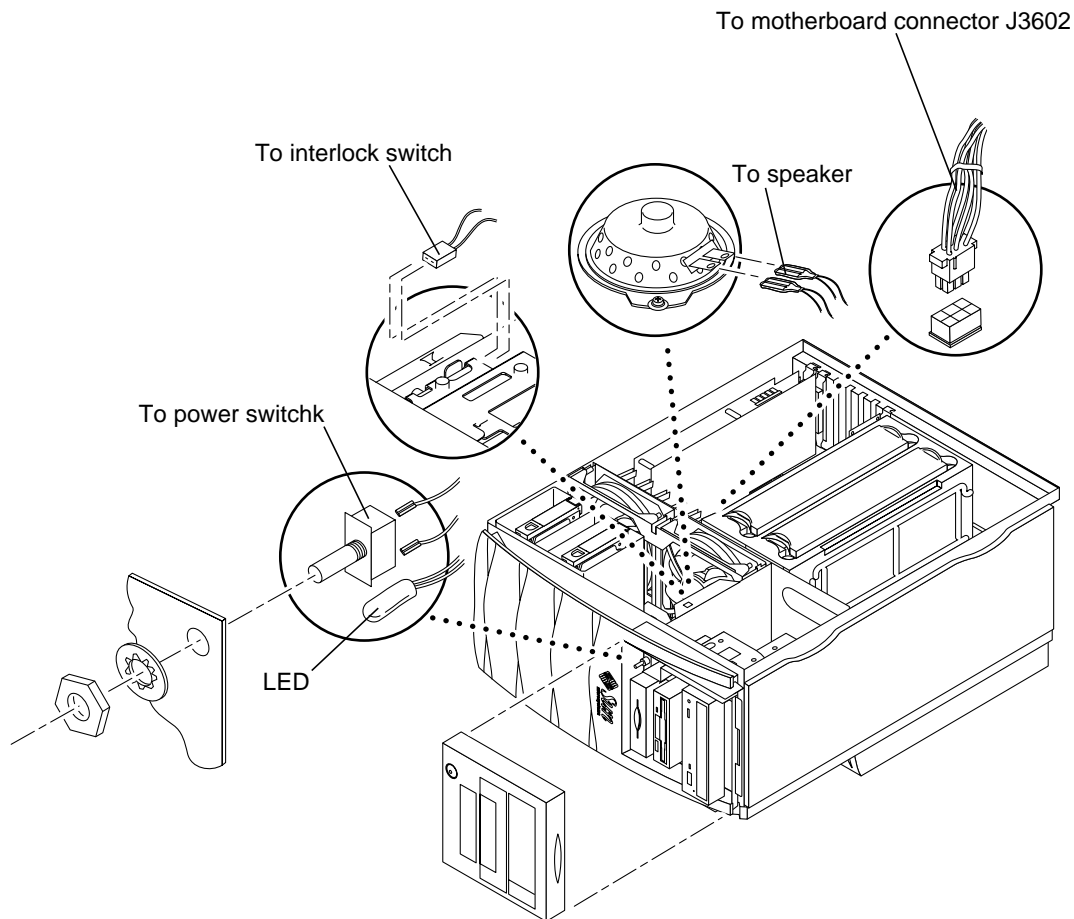


FIGURE 6-10 Removing and Replacing the Combined Cable Assembly

6.3.10 Replacing the Combined Cable Assembly



Caution – Use proper ESD grounding techniques when handling components. Wear an antistatic wrist strap and use an antistatic mat. Store ESD-sensitive components in antistatic bags before placing them on any surface.

1. **Position the combined cable assembly in the chassis** (FIGURE 6-10).
2. **Connect the combined cable assembly as follows:**

- a. **Attach the combined cable assembly connectors to the interlock switch terminators.**
 - b. **Attach the combined cable assembly connectors to the power switch terminators.**
 - c. **Replace the LED in the front panel LED holder.**
 - d. **Replace the combined cable assembly connectors to the speaker assembly terminators.**
 - e. **Connect the combined cable assembly connector to motherboard connector J3602.**
3. **Replace the fan bracket.**
See Section 6.6.2, “Replacing the Fan Bracket” on page 6-24.
 4. **Replace the CPU shroud cover.**
See Section 8.9.2, “Replacing the CPU Shroud” on page 8-41.
 5. **Detach the antistatic wrist strap, replace the access panel, and power on the workstation.**
See Chapter 9.

6.3.11 Removing the Logo LED Cable Assembly

1. **Power off the workstation, remove the access panel, and attach the antistatic wrist strap.**
See Chapter 5.



Caution – Use proper ESD grounding techniques when handling components. Wear an antistatic wrist strap and use an antistatic mat. Store ESD-sensitive components in antistatic bags before placing them on any surface.

2. **Remove the CPU shroud cover.**
See Section 8.9.1, “Removing the CPU Shroud” on page 8-40.
3. **Remove the fan bracket.**
See Section 6.6.1, “Removing the Fan Bracket” on page 6-23.
4. **Disconnect the logo LED cable assembly as follows (FIGURE 6-11):**
 - a. **Remove the logo LEDs from the front panel.**

- b. Remove the logo LED cable assembly connector from J3605 on the motherboard.
5. Remove the logo LED cable assembly from the chassis.

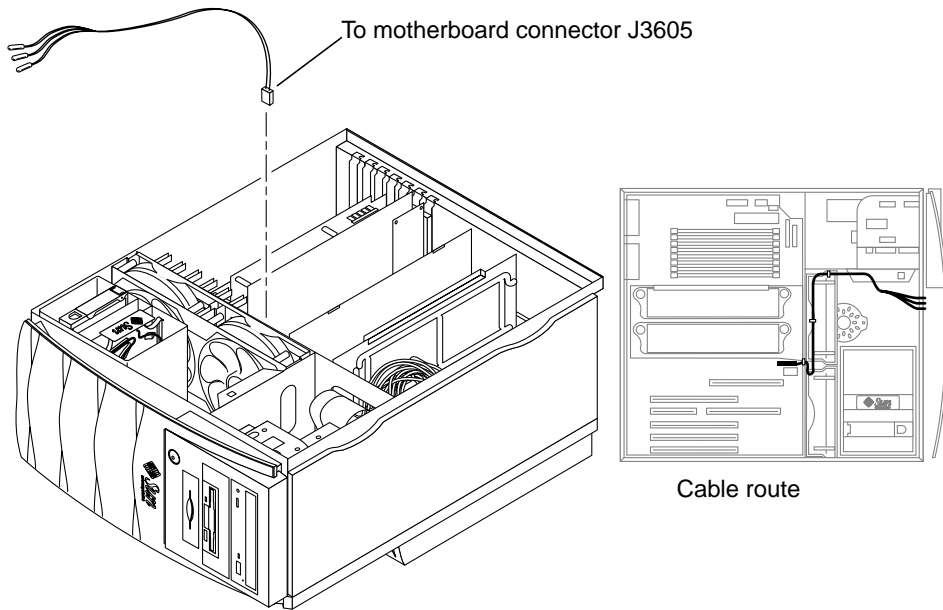


FIGURE 6-11 Removing and Replacing the Logo LED Cable Assembly

6.3.12 Replacing the Logo LED Cable Assembly



Caution – Use proper ESD grounding techniques when handling components. Wear an antistatic wrist strap and use an antistatic mat. Store ESD-sensitive components in antistatic bags before placing them on any surface.

1. Position the logo LED cable assembly in the chassis (FIGURE 6-11).
2. Connect the logo LED cable assembly as follows:
 - a. Replace the LEDs in the front panel LED holders.
 - b. Connect the logo LED cable assembly connector to motherboard connector J3605.
3. Replace the fan bracket.
See Section 6.6.2, “Replacing the Fan Bracket” on page 6-24.

4. Replace the CPU shroud cover.

See Section 8.9.2, “Replacing the CPU Shroud” on page 8-41.

5. Detach the antistatic wrist strap, replace the access panel, and power on the workstation.

See Chapter 9.

6.4 Interlock Switch Assembly

Use the following procedures to remove and replace the interlock switch assembly.

6.4.1 Removing the Interlock Switch Assembly

1. Power off the workstation, remove the access panel, and attach the antistatic wrist strap.

See Chapter 5.



Caution – Use proper ESD grounding techniques when handling components. Wear an antistatic wrist strap and use an antistatic mat. Store ESD-sensitive components in antistatic bags before placing them on any surface.

2. Press the detent tabs at either side of the interlock switch assembly while pulling the switch from the chassis switch housing (FIGURE 6-12).

3. Continue to press the detent tabs and pull the interlock switch assembly until the interlock switch assembly is free from the housing.

4. Remove the combined cable assembly connectors from the interlock switch terminators.

5. Remove the interlock switch assembly.

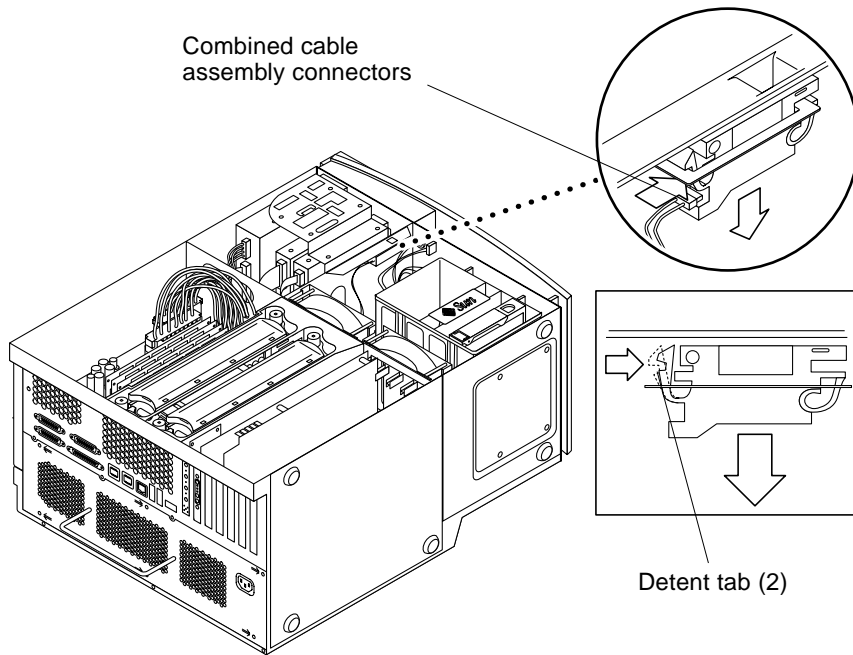


FIGURE 6-12 Removing and Replacing the Interlock Switch Assembly

6.4.2

Replacing the Interlock Switch Assembly



Caution – Use proper ESD grounding techniques when handling components. Wear an antistatic wrist strap and use an antistatic mat. Store ESD-sensitive components in antistatic bags before placing them on any surface.

1. **Connect the combined cable assembly connectors to the interlock switch terminators (FIGURE 6-12).**
2. **Press the detent tabs at either side of the interlock switch assembly while positioning the switch into the chassis.**
3. **Continue to press the detent tabs and pull the interlock switch assembly until the switch is properly seated.**
4. **Detach the antistatic wrist strap, replace the access panel, and power on the workstation.**

See Chapter 9.

6.5 Fan Assemblies

Use the following procedures to remove and replace the upper or lower fan assemblies.

6.5.1 Removing a Fan Assembly

1. **Power off the workstation, remove the access panel, and attach the antistatic wrist strap.**

See Chapter 5.



Caution – Use proper ESD grounding techniques when handling components. Wear an antistatic wrist strap and use an antistatic mat. Store ESD-sensitive components in antistatic bags before placing them on any surface.

2. **Disconnect the fan assembly power connectors from the motherboard connector J3302 for the lower fan assembly or J3303 for the upper fan assembly (FIGURE 6-13).**
Use a small screwdriver to release the connector tabs.
3. **Release the three fan bracket tabs in the chassis.**
See FIGURE 6-13.
4. **Lift the fan bracket and fans from the chassis.**
5. **Remove the fan assembly from the bracket.**

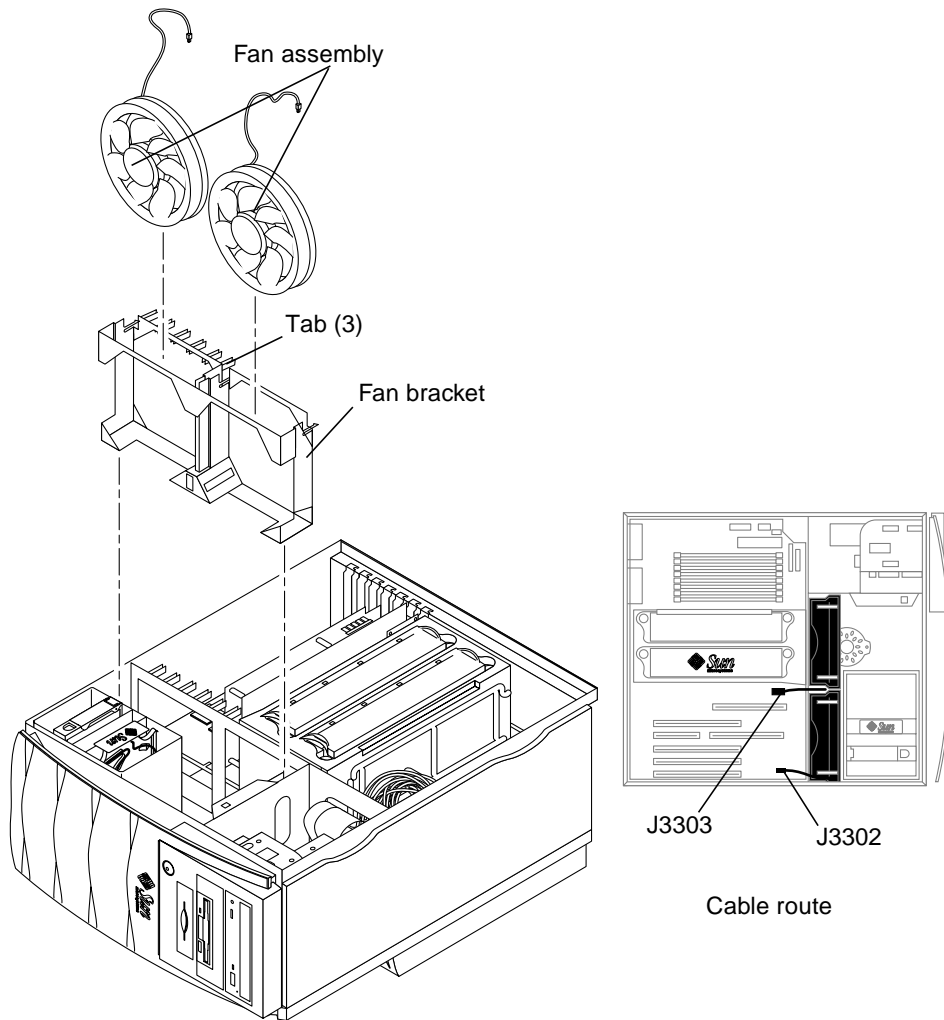


FIGURE 6-13 Removing and Replacing a Fan Assembly

6.5.2 Replacing a Fan Assembly



Caution – Use proper ESD grounding techniques when handling components. Wear an antistatic wrist strap and use an antistatic mat. Store ESD-sensitive components in antistatic bags before placing them on any surface.

1. Press the fan assembly into the fan bracket (FIGURE 6-13).

2. Feed the fan cable through the sheet metal cutout in the chassis.
3. Position the fan bracket into the chassis by aligning the four lower tabs and three upper side tabs.
4. Gently push the fan bracket down and towards the chassis frame until the fan bracket side tabs latch.
5. Connect the fan assembly power connectors to the motherboard connector J3302 for the lower fan assembly or J3303 for the upper fan assembly.
6. Detach the antistatic wrist strap, replace the access panel, and power on the workstation.
See Chapter 9.

6.6 Fan Bracket

Use the following procedures to remove and replace the fan bracket.

6.6.1 Removing the Fan Bracket

1. Power off the workstation, remove the access panel, and attach the antistatic wrist strap.
See Chapter 5.



Caution – Use proper ESD grounding techniques when handling components. Wear an antistatic wrist strap and use an antistatic mat. Store ESD-sensitive components in antistatic bags before placing them on any surface.

2. Disconnect the fan assemblies from the motherboard (FIGURE 6-14).
See Section 6.5.1, “Removing a Fan Assembly” on page 6-21.
3. Release the three fan bracket tabs in the chassis.
See FIGURE 6-14.
4. Lift the fan bracket and fans from the chassis.
5. Remove the fan assemblies from the bracket.
See Section 6.5.1, “Removing a Fan Assembly” on page 6-21.

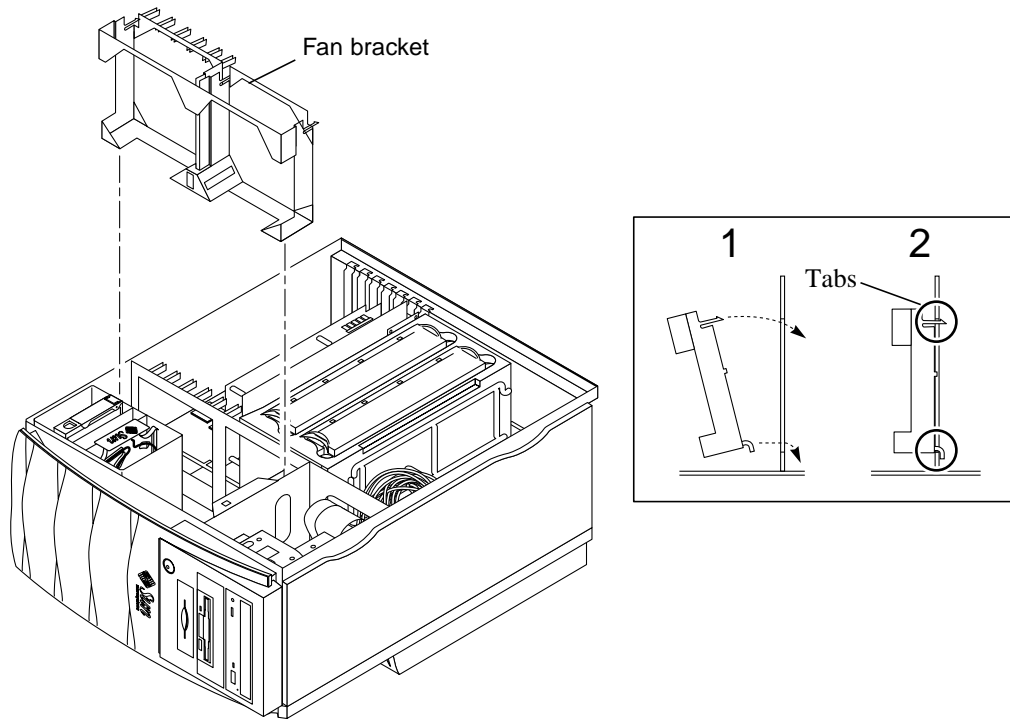


FIGURE 6-14 Removing and Replacing the Fan Bracket

6.6.2 Replacing the Fan Bracket



Caution – Use proper ESD grounding techniques when handling components. Wear an antistatic wrist strap and use an antistatic mat. Store ESD-sensitive components in antistatic bags before placing them on any surface.

1. **Replace the fan assemblies (FIGURE 6-14).**
See Section 6.5.2, “Replacing a Fan Assembly” on page 6-22.
2. **Position the fan bracket and fans into the chassis by aligning the four lower tabs and three upper side tabs.**
3. **Gently push the fan bracket down and toward the chassis frame until the fan bracket side tabs latch.**
4. **Reconnect the fan power connectors.**
See Section 6.5.2, “Replacing a Fan Assembly” on page 6-22.

5. **Detach the antistatic wrist strap, replace the access panel, and power on the workstation.**

See Chapter 5.

6.7 Speaker Assembly

Use the following procedures to remove and replace the speaker assembly.

6.7.1 Removing the Speaker Assembly

1. **Power off the workstation, remove the access panel, and attach the antistatic wrist strap.**

See Chapter 5.



Caution – Use proper ESD grounding techniques when handling components. Wear an antistatic wrist strap and use an antistatic mat. Store ESD-sensitive components in antistatic bags before placing them on any surface.

2. **Using a No. 2 Phillips screwdriver, remove the screw securing the speaker assembly to the chassis (FIGURE 6-15).**
3. **Disconnect the combined cable assembly connectors from the speaker assembly terminators.**
4. **Remove the speaker assembly.**

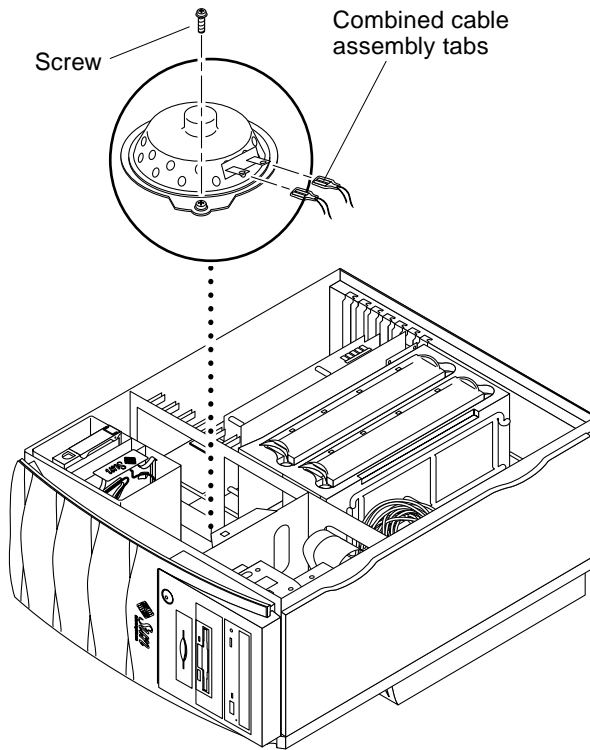


FIGURE 6-15 Removing and Replacing the Speaker Assembly

6.7.2

Replacing the Speaker Assembly



Caution – Use proper ESD grounding techniques when handling components. Wear an antistatic wrist strap and use an antistatic mat. Store ESD-sensitive components in antistatic bags before placing them on any surface.

1. **Connect the combined cable assembly connectors to the speaker assembly terminators (FIGURE 6-15).**
2. **Place the speaker tab into the chassis slot.**
3. **Using a No. 2 Phillips screwdriver, replace the screw securing the speaker assembly to the chassis.**
4. **Detach the antistatic wrist strap, replace the access panel, and power on the workstation.**

See Chapter 9.

6.8 FC-AL Backplane Assembly

The FC-AL backplane assembly consists of the FC-AL backplane, FC-AL cable assembly, and hard drive bracket. The FC-AL backplane assembly is attached to the chassis. Use the following procedures to remove and replace the FC-AL backplane assembly.

6.8.1 Removing the FC-AL Backplane Assembly

1. **Power off the workstation, remove the access panel, and attach the antistatic wrist strap.**

See Chapter 5.



Caution – Use proper ESD grounding techniques when handling components. Wear an antistatic wrist strap and use an antistatic mat. Store ESD-sensitive components in antistatic bags before placing them on any surface.

2. **Remove the fan bracket.**
See Section 6.6.1, “Removing the Fan Bracket” on page 6-23.
3. **Remove the hard drive(s).**
See Section 7.1.1, “Removing a Hard Drive” on page 7-2.
4. **Remove the torque tool from the slot in the FC-AL backplane assembly.**
5. **Disconnect the power connector from the FC-AL backplane assembly.**
6. **Disconnect the FC-AL cable assembly from the FC-AL backplane assembly.**
7. **Using a No. 2 Phillips screwdriver, proceed as follows (FIGURE 6-16):**
 - a. **Loosen the two captive screws (located on the left side of the FC-AL backplane assembly).**
 - b. **Remove the two screws from the chassis bottom that secure the FC-AL backplane assembly to the chassis.**
8. **Disconnect the FC-AL backplane assembly from the chassis cutouts and lift it from the chassis.**

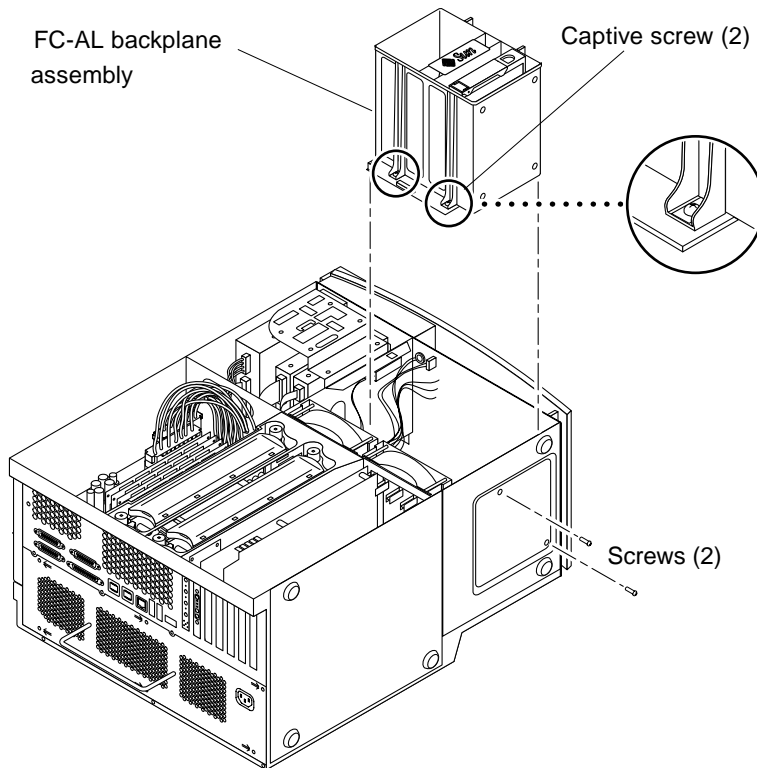


FIGURE 6-16 Removing and Replacing the FC-AL Backplane Assembly

6.8.2

Replacing the FC-AL Backplane Assembly



Caution – Use proper ESD grounding techniques when handling components. Wear an antistatic wrist strap and use an antistatic mat. Store ESD-sensitive components in antistatic bags before placing them on any surface.

1. **Position the FC-AL backplane assembly in the chassis and connect it to the chassis cutouts** (FIGURE 6-16).
2. **Using a No. 2 Phillips screwdriver, proceed as follows:**
 - a. **Replace the two screws into the chassis bottom that secure the FC-AL backplane assembly to the chassis.**
 - b. **Tighten the two captive screws (located on the left side of the FC-AL backplane assembly).**

3. **Connect the FC-AL backplane cable assembly to the FC-AL backplane.**
4. **Connect the power connector to the FC-AL backplane assembly.**
5. **Replace the hard drive(s).**
See Section 7.1.2, “Replacing a Hard Drive” on page 7-3.
6. **Return the torque tool to the slot in the backplane assembly.**
7. **Replace the fan bracket.**
See Section 6.6.2, “Replacing the Fan Bracket” on page 6-24.
8. **Detach the antistatic wrist strap, replace the access panel, and power on the workstation.**
See Chapter 9.

6.9 Chassis Foot

Use the following procedures to remove and replace a chassis foot.

6.9.1 Removing a Chassis Foot

- **Use a flat-tipped tool to pry the foot from the chassis (FIGURE 6-17).**

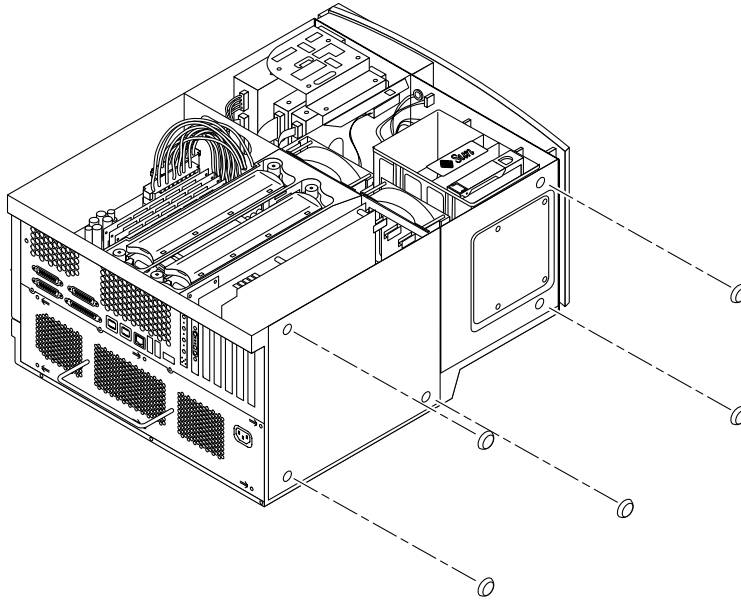


FIGURE 6-17 Removing and Replacing the Chassis Foot

6.9.2 Replacing a Chassis Foot

1. Using a cloth rag and cleanser, clean the chassis area where the foot is to be mounted (FIGURE 6-17).
2. Peel the protective cover from the adhesive side of the foot and place the foot on the chassis.

6.10 Filler Panels

Use the following procedures to remove and replace a filler panel.

6.10.1 Removing a Filler Panel

1. Identify the filler panel to be removed.
2. Remove the peripheral bezel assembly (FIGURE 6-18).
3. Remove the plastic filler panel from the peripheral bezel assembly.
4. Remove the metal filler panel from the peripheral assembly (FIGURE 6-19).

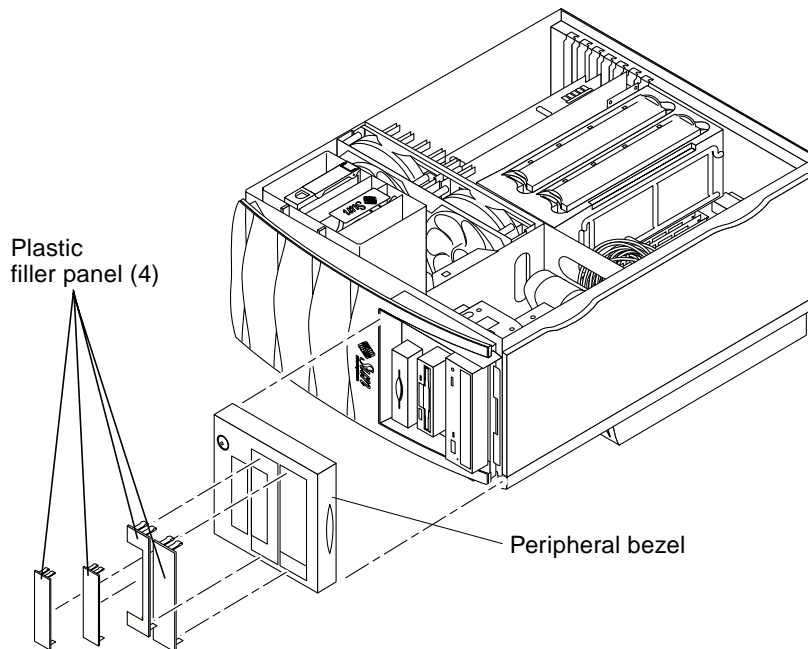


FIGURE 6-18 Removing and Replacing Plastic Filler Panels

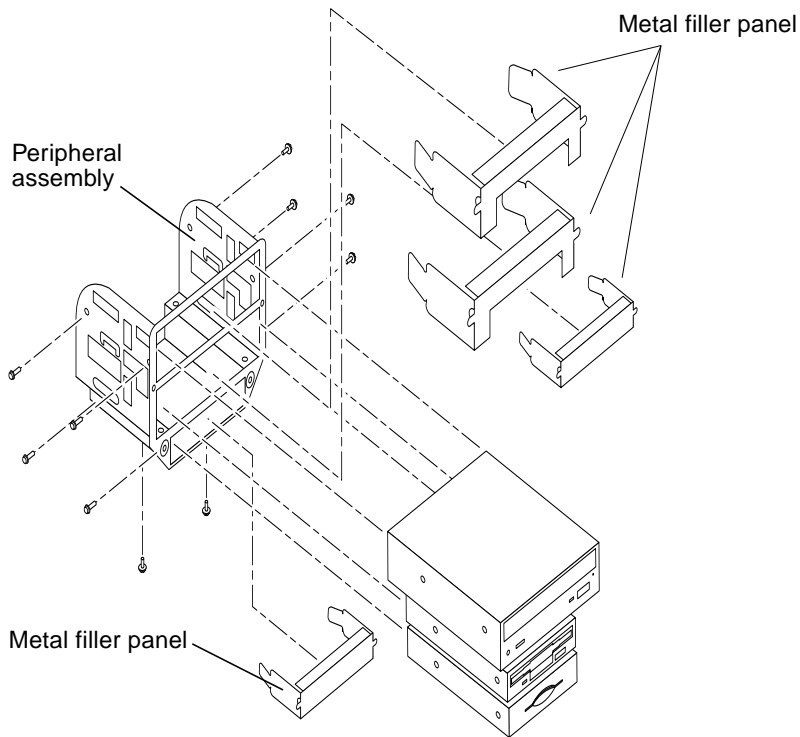


FIGURE 6-19 Removing and Replacing Metal Filler Panels

6.10.2 Replacing a Filler Panel

1. Position and snap the metal filler panel into the peripheral assembly (FIGURE 6-19).
2. Position and snap the plastic filler panel into the peripheral bezel assembly (FIGURE 6-18).

Removing and Replacing Storage Devices

This chapter describes how to remove and replace the Sun Blade 1000 and Sun Blade 2000 storage devices.

The chapter contains the following topics:

- Section 7.1, “Hard Drive” on page 7-1
- Section 7.2, “Peripheral Assembly Drives” on page 7-3

7.1 Hard Drive

Perform the following procedures to remove and replace a hard drive. If necessary, view the ShowMe How video clip located on the Sun Blade 1000 and Sun Blade 2000 Hardware Documentation CD-ROM.

Note – When removing or replacing a hard drive, drive slot 1 is in the bottom position of the hard drive bracket. Drive slot 2 is in the upper position of the hard drive bracket.

Note – If only one hard drive is installed on the workstation or if you only want to boot from a specific drive, that hard drive must be installed in drive slot 1 in the bottom position of the hard drive bracket.

7.1.1 Removing a Hard Drive

1. Power off the workstation, remove the access panel, and attach the antistatic wrist strap.

See Chapter 5.



Caution – Use proper ESD grounding techniques when handling components. Wear an antistatic wrist strap and use an antistatic mat. Store ESD-sensitive components in antistatic bags before placing them on any surface.

2. Release the drive handle by pushing the handle release button toward the front of the chassis housing (FIGURE 7-1).
3. Pull out on the drive handle to disconnect the hard drive from the FC-AL backplane assembly connector.
4. Remove the hard drive from the hard drive bracket.
5. Place the hard drive on an antistatic mat.

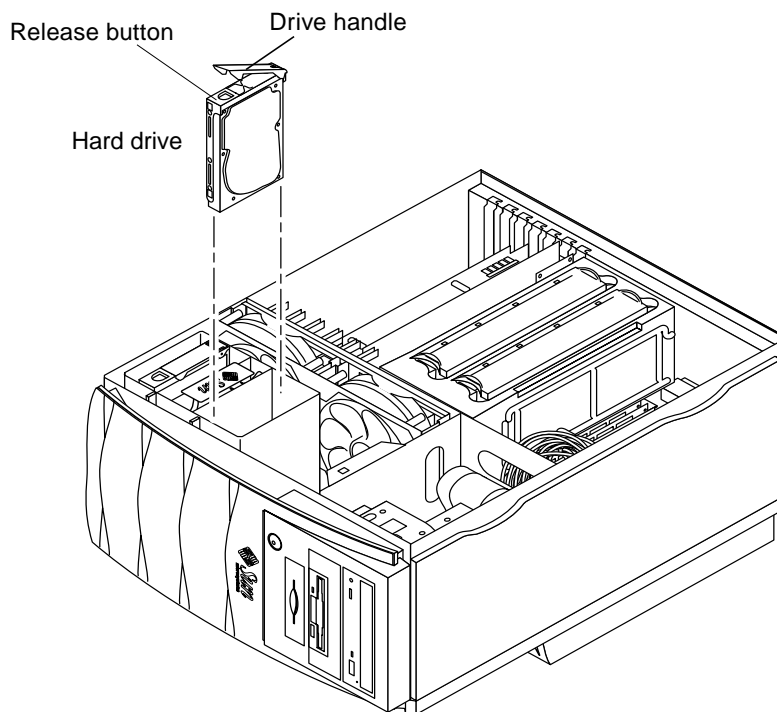


FIGURE 7-1 Removing and Replacing a Hard Drive

7.1.2 Replacing a Hard Drive



Caution – Use proper ESD grounding techniques when handling components. Wear an antistatic wrist strap and use an antistatic mat. Store ESD-sensitive components in antistatic bags before placing them on any surface.

1. **Holding the drive handle, insert the hard drive into the hard drive bracket along the vertical plastic guides until the hard drive handle starts to close (FIGURE 7-1).**
2. **Close the hard drive handle to lock the hard drive into the hard drive bracket.**
3. **Detach the antistatic wrist strap, replace the access panel, and power on the workstation.**

See Chapter 5.

7.2 Peripheral Assembly Drives

To remove and replace a peripheral assembly drives, it is necessary to remove the peripheral assembly. If necessary, view the ShowMe How video clip located on the Sun Blade 1000 and Sun Blade 2000 CD-ROM.

Note – A peripheral assembly drive can include a DVD-ROM drive, a 4-mm tape drive, smart card reader, or other optional component drives.

Note – If no drives are installed in the peripheral assembly, only the SCSI cable should be routed into the upper drive bay. Attach the SCSI cable through the clip affixed on the rear wall of the peripheral assembly.

7.2.1 Removing the Peripheral Assembly

1. **Power off the workstation, remove the access panel, and attach the antistatic wrist strap.**

See Chapter 5.



Caution – Use proper ESD grounding techniques when handling components. Wear an antistatic wrist strap and use an antistatic mat. Store ESD-sensitive components in antistatic bags before placing them on any surface.

2. Remove the peripheral bezel assembly by pressing down on the top of the bezel and pulling it straight out from the chassis (FIGURE 7-2).
3. Using a No. 2 Phillips screwdriver, remove the four screws securing the peripheral assembly to the chassis.
4. Partially remove the peripheral assembly from the chassis.
5. Disconnect the power and interface cables from all drives installed in the peripheral assembly.
6. Remove the peripheral assembly from the chassis.
7. Place the peripheral assembly on an antistatic mat.

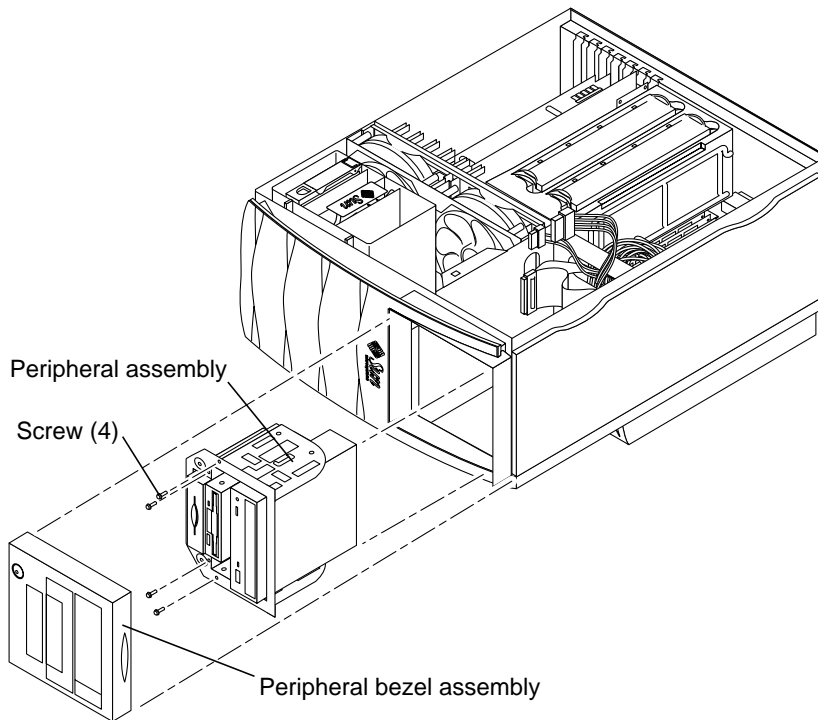


FIGURE 7-2 Removing and Replacing the Peripheral Assembly

7.2.2

Removing the DVD-ROM Drive or Any Optional Tape Drive Component



Caution – Use proper ESD grounding techniques when handling components. Wear an antistatic wrist strap and use an antistatic mat. Store ESD-sensitive components in antistatic bags before placing them on any surface.

1. Position the peripheral assembly on a flat surface so that the DVD-ROM drive or tape drive is flat (FIGURE 7-3).
2. Using a No. 2 Phillips screwdriver, remove the four screws securing the DVD-ROM drive or tape drive to the peripheral assembly.

Note – The four screws that secure a drive to the peripheral drive assembly are specifically sized screws. Do not intermingle them with other screws.

3. Remove the DVD-ROM drive or tape drive and place it on an antistatic mat.
4. Install the filler panel if necessary.

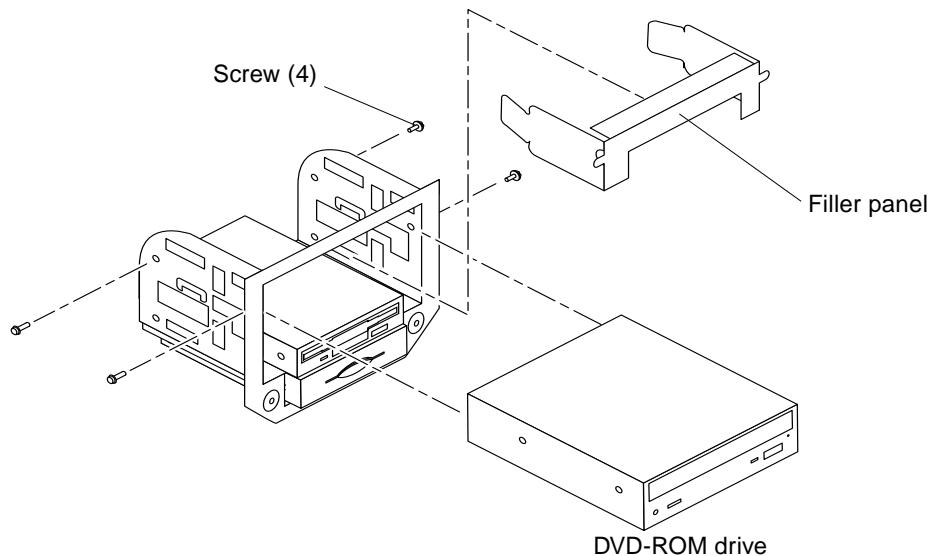


FIGURE 7-3 Removing and Replacing the DVD-ROM Drive

7.2.3 Replacing the DVD-ROM Drive or Any Optional Tape Drive Component

Note – If you are installing a DVD-ROM drive or any optional tape drive component (instead of replacing it), ensure that the peripheral power cable and all data cables are properly routed through the clips adjacent to the peripheral assembly. Route the SCSI cable through the clip affixed on the rear wall of the peripheral assembly.



Caution – Use proper ESD grounding techniques when handling components. Wear an antistatic wrist strap and use an antistatic mat. Store ESD-sensitive components in antistatic bags before placing them on any surface.

1. **Remove the filler panel if necessary** (see FIGURE 7-3).
2. **Position the DVD-ROM drive or tape drive into the peripheral assembly.**
3. **Using a No. 2 Phillips screwdriver, replace the four screws securing the DVD-ROM drive or tape drive to the peripheral assembly.**
4. **Replace the peripheral assembly.**
See Section 7.2.10, “Replacing the Peripheral Assembly” on page 7-10.

7.2.4 Logically Removing the Smart Card Reader

You may need or want to logically remove a smart card reader from the workstation. For example when a user no longer needs or wants to use a smart card for authentication. To logically remove the smart card reader:

1. **Log in as root to the workstation.**
2. **Logically remove the smart card reader by typing:**

```
# smartcard -c admin -t terminal -r user_friendly_name -x delete
```

3. **Disconnect connector J3604.**

7.2.5 Disabling the Smart Card

The following procedure assumes that the user has forgotten the smart card PIN and cannot log in to the workstation.

1. **Halt the workstation and then reboot in the single user mode.**
2. **Disable the smart card by typing:**

```
# smartcard -c disable
```

3. **Exit single-user mode, and resume the workstation boot process to return to the desktop environment.**

7.2.6 Removing the Smart Card Reader



Caution – Use proper ESD grounding techniques when handling components. Wear an antistatic wrist strap and use an antistatic mat. Store ESD-sensitive components in antistatic bags before placing them on any surface.

1. **Position the peripheral assembly on a flat surface so that the smart card reader is flat** (see FIGURE 7-4).
2. **Using a No. 2 Phillips screwdriver, remove the four screws securing the smart card reader to the peripheral assembly.**
3. **Remove the smart card reader and place it on an antistatic mat.**

Note – The four screws that secure a drive to the peripheral drive assembly are specifically sized screws. Do not intermingle them with other screws.

4. **Install the filler panel, if necessary.**

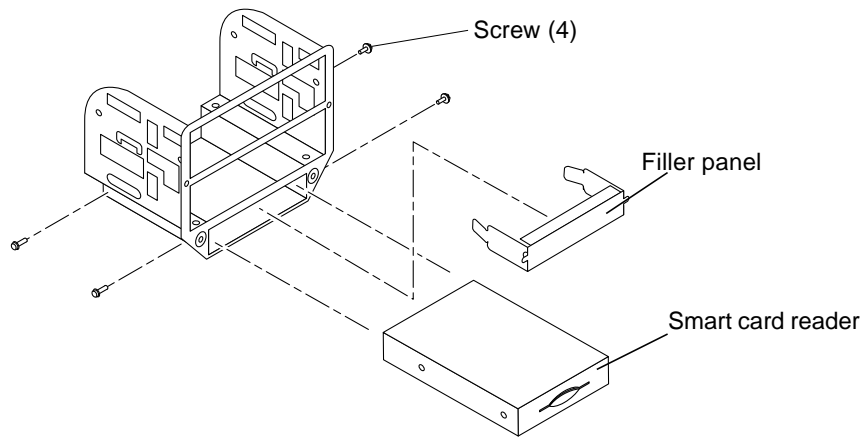


FIGURE 7-4 Removing and Replacing the Smart Card Reader

7.2.7

Replacing the Smart Card Reader



Caution – Use proper ESD grounding techniques when handling components. Wear an antistatic wrist strap and use an antistatic mat. Store ESD-sensitive components in antistatic bags before placing them on any surface.

- 1. Remove the filler panel if necessary (see FIGURE 7-3).**
- 2. Replace the diskette drive if it has been removed.**
See Section 7.2.9, “Replacing the Diskette Drive” on page 7-10.
- 3. Position the smart card reader into the peripheral assembly.**
- 4. Using a No. 2 Phillips screwdriver, replace the four screws securing the smart card reader to the peripheral assembly.**
- 5. Replace the peripheral assembly.**
See Section 7.2.10, “Replacing the Peripheral Assembly” on page 7-10.

7.2.8

Removing the Diskette Drive



Caution – Use proper ESD grounding techniques when handling components. Wear an antistatic wrist strap and use an antistatic mat. Store ESD-sensitive components in antistatic bags before placing them on any surface.

1. **Position the peripheral assembly on a flat surface so that the diskette drive is flat (FIGURE 7-2).**
2. **Remove the smart card reader.**
See Section 7.2.6, “Removing the Smart Card Reader” on page 7-7.
3. **Using a No. 2 Phillips screwdriver, remove the four screws securing the diskette drive to the peripheral assembly.**

Note – The four screws that secure a drive to the peripheral drive assembly are specifically sized screws. Do not intermingle them with other screws.

4. **Remove the diskette drive and place it on an antistatic mat.**
5. **Install the filler panel if necessary.**

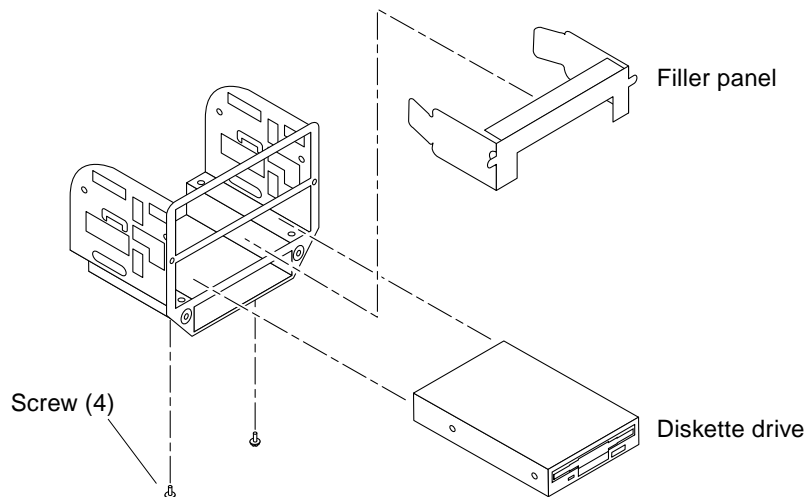


FIGURE 7-5 Removing and Replacing the Diskette Drive

7.2.9 Replacing the Diskette Drive

Note – If you are installing a diskette drive (instead of replacing it), ensure that the peripheral power cable and all data cables are properly routed through the clips adjacent to the drive bay.



Caution – Use proper ESD grounding techniques when handling components. Wear an antistatic wrist strap and use an antistatic mat. Store ESD-sensitive components in antistatic bags before placing them on any surface.

1. **Remove the filler panel if necessary** (FIGURE 7-3).
2. **Remove the smart card reader if it has been installed.**
See Section 7.2.6, “Removing the Smart Card Reader” on page 7-7.
3. **Position the diskette drive in the peripheral assembly.**
4. **Using a No. 2 Phillips screwdriver, replace the four screws securing the diskette drive to the peripheral assembly.**
5. **Replace the smart card reader.**
See Section 7.2.7, “Replacing the Smart Card Reader” on page 7-8.
6. **Replace the peripheral assembly.**
See Section 7.2.10, “Replacing the Peripheral Assembly” on page 7-10.

7.2.10 Replacing the Peripheral Assembly



Caution – Use proper ESD grounding techniques when handling components. Wear an antistatic wrist strap and use an antistatic mat. Store ESD-sensitive components in antistatic bags before placing them on any surface.

1. **Position the peripheral assembly in the chassis** (see FIGURE 7-2).

Note – Ensure that the peripheral assembly is correctly seated in the rails of the chassis.

2. **Connect the rear cable connectors to the drives as required.**

- 3. Using a No. 2 Phillips screwdriver, tighten the four screws securing the peripheral assembly to the chassis.**
- 4. Replace the peripheral bezel assembly.**
- 5. Detach the antistatic wrist strap, replace the access panel, and power on the workstation.**

See Chapter 9.

Removing and Replacing the Motherboard and Associated Components

This chapter describes how to remove and replace the workstation motherboard and associated components.

This chapter covers the following topics:

- Section 8.1, “UltraSPARC III CPU Module” on page 8-2
- Section 8.3, “PCI Card” on page 8-20
- Section 8.4, “Graphics Card” on page 8-23
- Section 8.5, “Audio Module Assembly” on page 8-28
- Section 8.6, “DIMM” on page 8-30
- Section 8.7, “Replaceable Battery” on page 8-34
- Section 8.8, “Motherboard” on page 8-35
- Section 8.9, “CPU Shroud” on page 8-40

8.1 UltraSPARC III CPU Module

8.1.1 About UltraSPARC III CPU Modules

There are now two types of UltraSPARC III CPU modules used in the Sun Blade 1000 and Sun Blade 2000 workstations:

- The Sun Blade 1000 uses UltraSPARC III 600, 750, or 900 MHz CPU modules.
- The Sun Blade 2000 uses UltraSPARC III Cu CPU modules.

Note – UltraSPARC III Cu CPU modules are labeled “USIII Cu” (see FIGURE 8-1).

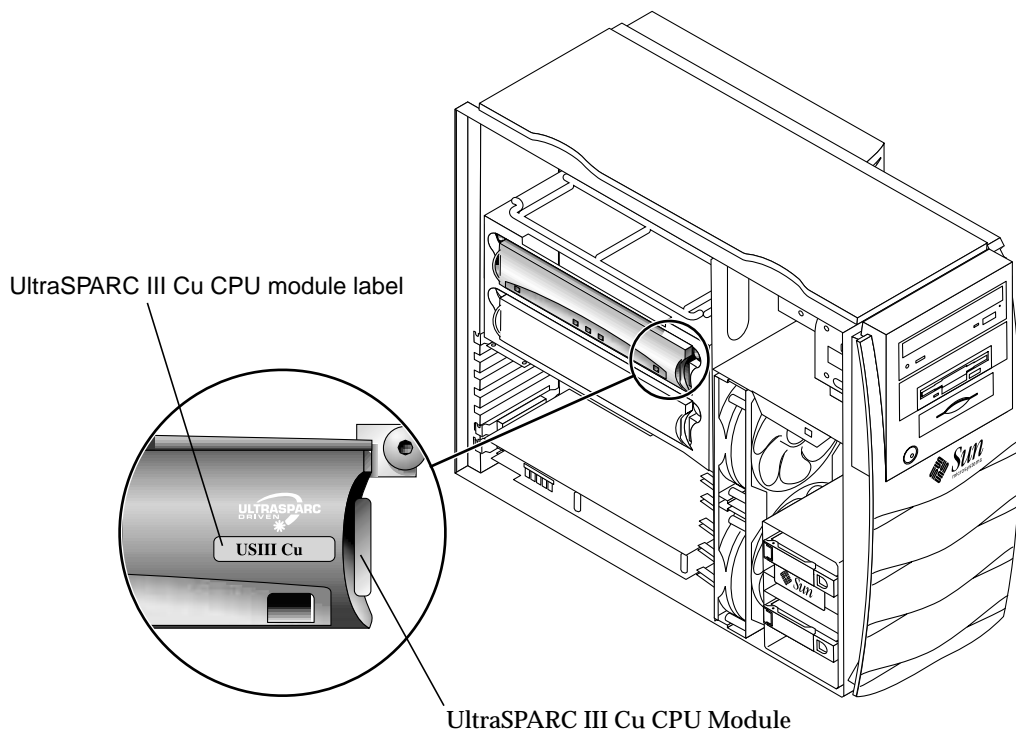


FIGURE 8-1 UltraSPARC III Cu CPU Module and Label

8.1.2 Configuration Rules

The following configuration rules apply to both UltraSPARC III CPU modules and UltraSPARC III Cu CPU modules used in the Sun Blade 1000 and Sun Blade 2000 workstations:

- You can install one or two UltraSPARC III CPU module(s) into the workstation motherboard.
- Always insert the first CPU module into CPU processor slot 0 (connectors J0501 and J0601).
- If a second CPU module is to be installed, install the second CPU module into CPU processor slot 1 (connectors J0701 and J0801).
- If you wish to install more than one UltraSPARC III 600, 750, or 900 MHz CPU module into a Sun Blade 1000 workstation, you can. The speed of the modules does not need to be identical.
- If you wish to install more than one UltraSPARC III Cu CPU module into a Sun Blade 2000 workstation you can. However, the speed of the modules must be identical.

Note – Never mix an UltraSPARC III 600, 750, or 900 MHz CPU module with an UltraSPARC III Cu CPU module. If the two types of modules are mixed, the workstation will not boot.

8.1.3 CPU Module Slot Positions in the Workstation



Caution – CPU slot positions 0 and 1 are shown in FIGURE 8-2. CPU processor slot 0 is the required position for all workstations that contain only one CPU.

The CPU modules are enclosed in a cooling shroud and secured to the shroud with captive screws that must be torqued to specific values.

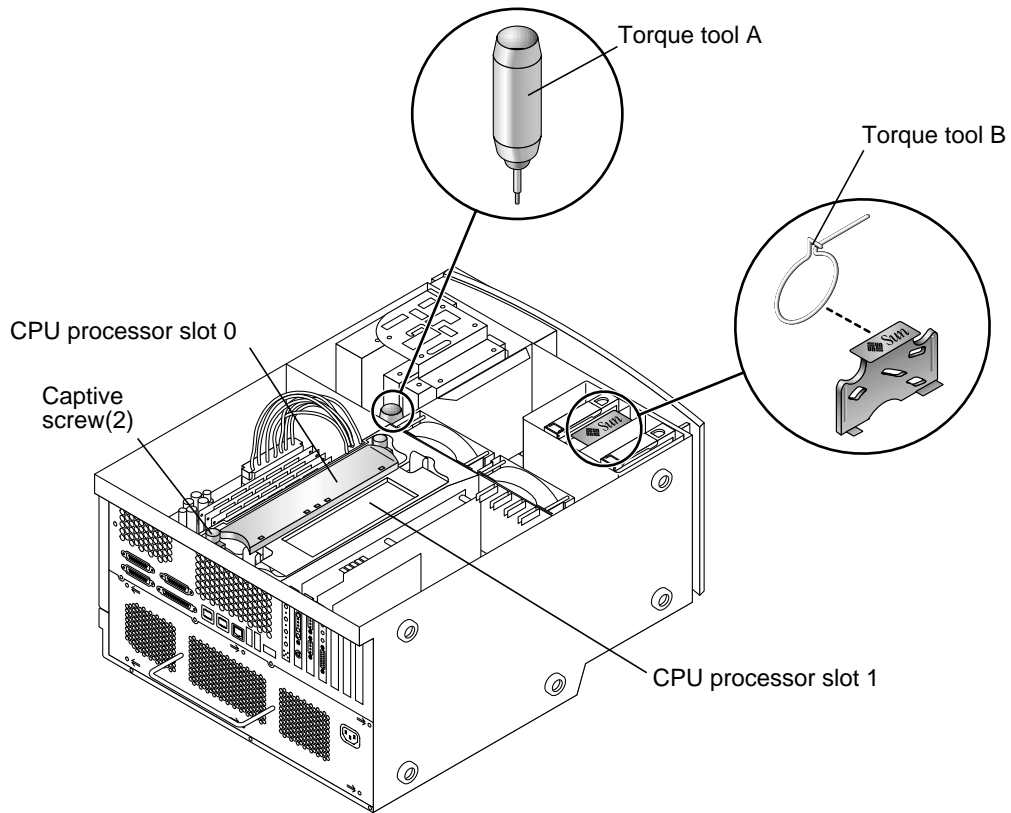


FIGURE 8-2 Location of CPU Processor Slots 0 and 1, Captive Screws, and Torque Tools

8.2 Removing a Torque Tool

There are two types of torque tools used to install an UltraSPARC III or and UltraSPARC III Cu CPU module into a Sun Blade 1000 or Sun Blade 2000 workstation.

Your workstation could have either torque tool A or torque tool B installed. The torque tools are located in different locations within the workstation see FIGURE 8-3.

Perform the following procedure to locate and remove torque tool A or torque tool B before removing or replacing a CPU module.

1. Power off the workstation.

See Section 5.5, "Powering Off the Workstation" on page 5-5.

2. Remove the access panel.

See Section 5.6, “Removing the Access Panel” on page 5-8.

3. Attach and antistatic wrist strap.

See Section 5.7, “Attaching the Antistatic Wrist Strap” on page 5-10.

4. Locate and remove torque tool A or torque tool B from its holder.

See FIGURE 8-3.

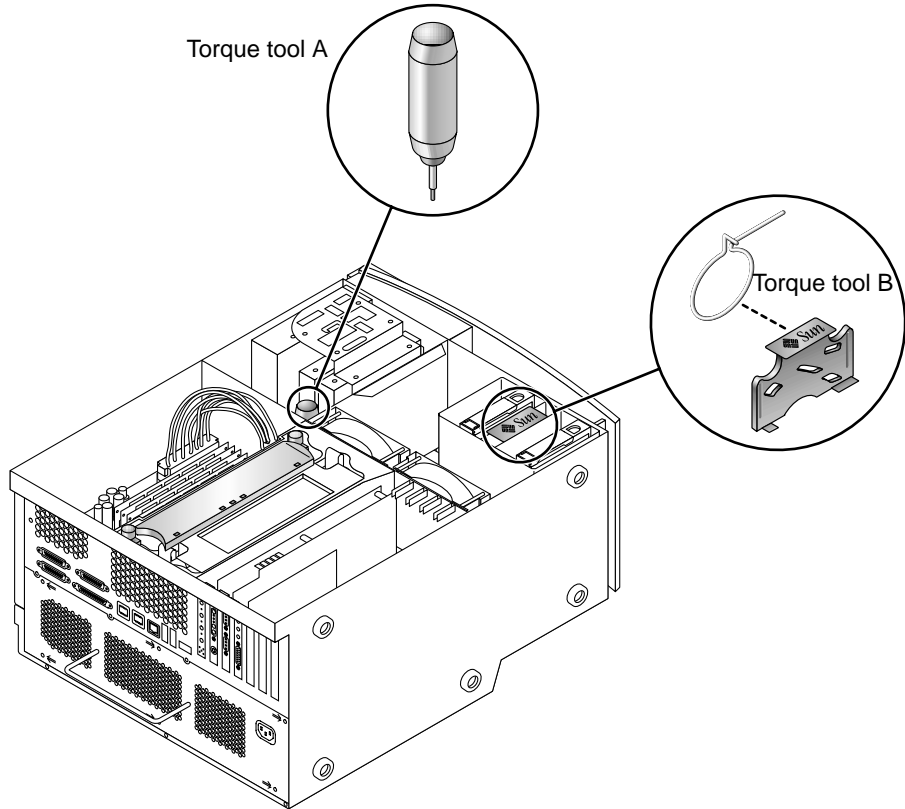


FIGURE 8-3 Location of Torque Tool A and Torque Tool B

8.2.1 Firmware and Software Requirements for Installing UltraSPARC III or UltraSPARC III Cu CPU Modules

TABLE 8-1 Required Solaris Operating Environment, Firmware, and Software for Sun Blade 1000 and Sun Blade 2000 Workstations

	UltraSPARC III Modules 600, 750, or 900 MHz Sun Blade 1000	UltraSPARC III Cu Modules Sun Blade 2000
Solaris Operating Environment	Solaris 8 10/00*	Solaris 8 10/01 ¹
OpenBoot PROM (Firmware)	v4.4.6 ¹	v4.5.0 ¹
Software Patches	109888-10 ¹ 110460-09 ¹ 1008528-10 ¹	111292-05 ¹

1. Minimum level of Solaris, OpenBoot PROM, and software patches necessary ensure proper operation of the Sun Blade 1000 and Sun Blade 2000 workstations. Always check the Sun web site for the latest compatible operating environment, firmware, and software updates.

8.2.2 Removing a CPU Module

Perform the following procedures to remove an existing UltraSPARC III or an UltraSPARC III Cu CPU module.

1. Power off the workstation.

See Section 5.5, “Powering Off the Workstation” on page 5-5.

2. Remove the access panel

See Section 5.6, “Removing the Access Panel” on page 5-8.

3. If necessary, place the workstation on its side on a work surface, open side face up.



Caution – Use proper ESD grounding techniques when handling components. Wear an antistatic wrist strap and use an antistatic mat. Store ESD-sensitive components in antistatic bags before placing them on any surface.

4. Attach the antistatic wrist strap.

See Section 5.7, “Attaching the Antistatic Wrist Strap” on page 5-10.

5. Remove torque tool A or torque tool B from its holder.

See Section 8.2, “Removing a Torque Tool” on page 8-4.

Note – Sun manufacturing installs torque tool A or torque tool B in Sun Blade 1000 and Sun Blade 2000 workstations. The torque tools are located in different locations in the workstation.

6. If necessary, remove the filler panel (see FIGURE 8-4).

Squeeze the two tabs on the filler panel to release it from the cover for the CPU shroud.

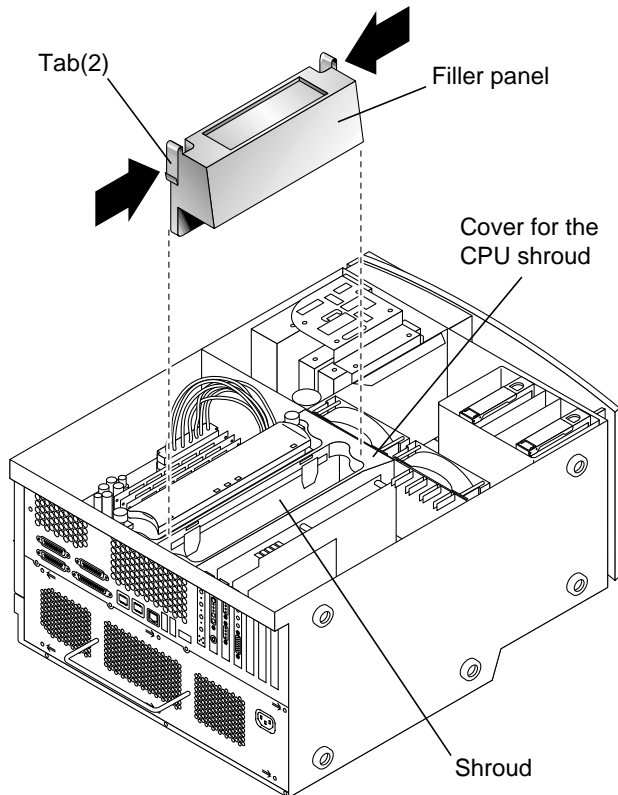


FIGURE 8-4 Removing the Filler Panel

7. Complete one of the following steps:

Your selection depends on whether you are replacing an existing UltraSPARC III CPU module or installing an additional UltraSPARC III CPU module into an unused CPU processor slot.

- If you are replacing an existing module and have torque tool A, perform Step 8.
- If you are replacing an existing module and have torque tool B, perform Step 9.
- If you are installing an additional CPU module, perform Step 10.

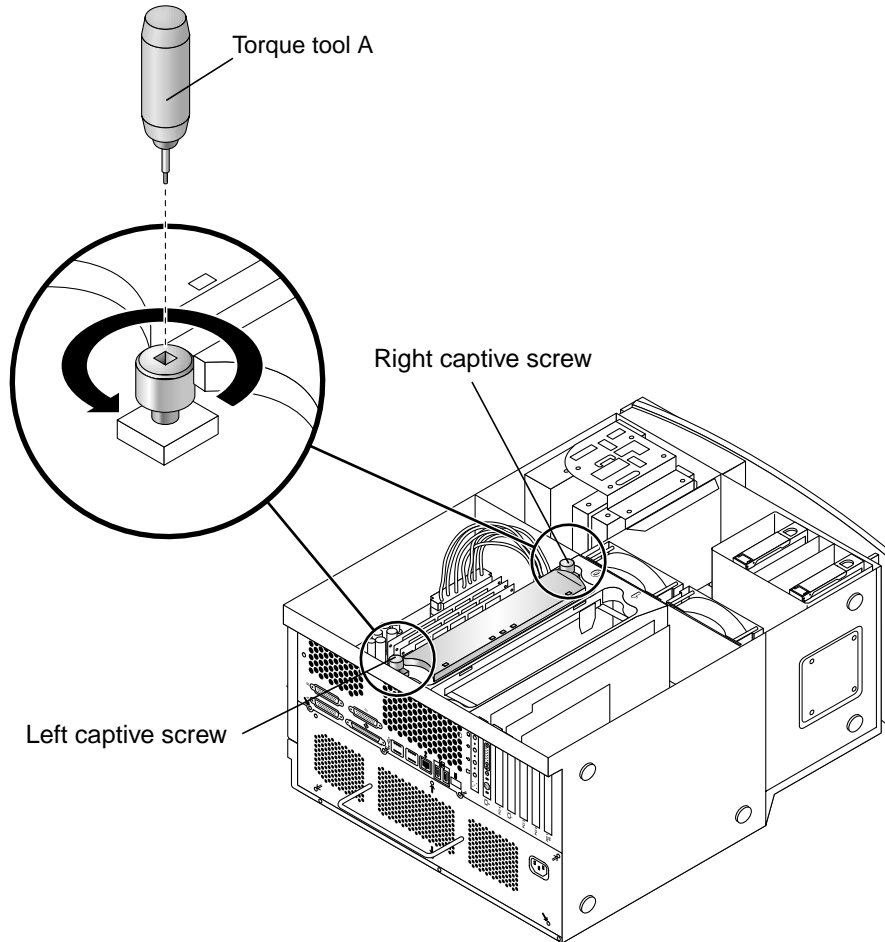


FIGURE 8-5 Using Torque Tool A to Remove a CPU Module

8. To remove an existing CPU module by using torque tool A:

- a. Alternately rotate the left and right captive screws one turn counterclockwise until the screws are free of the threaded inserts (see FIGURE 8-5).**



Caution – Do not touch the board for the CPU module or its components. Touch only the captive screws and plastic top cover of the module to avoid damaging module components by electrostatic discharge (see FIGURE 8-8).

- b. Use both hands to lift the CPU module out of the shroud.**
 - c. Place the CPU module on an antistatic mat with the heat sink on the top facing up. Proceed to Section 8.2.3, “Replacing an UltraSPARC III CPU Module” on page 8-12.**
- 9. To remove an existing CPU module by using torque tool B:**
- a. Remove the cover for the shroud (see FIGURE 8-6).**
Squeeze the two tabs to release the shroud from the motherboard.

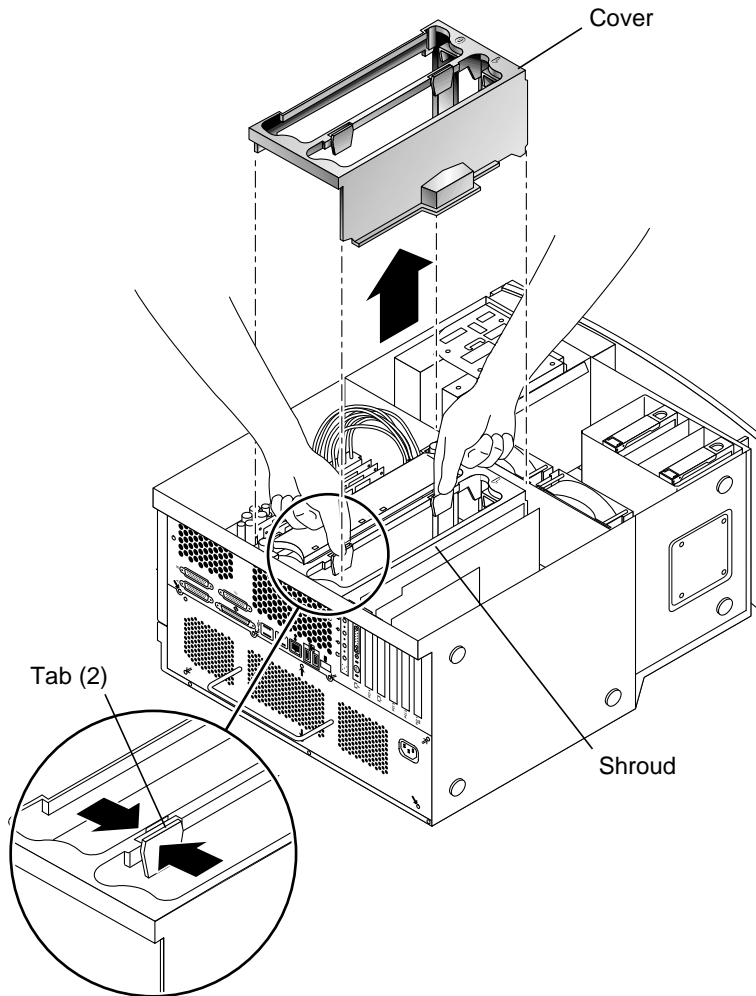


FIGURE 8-6 Removing the Cover for the Shroud

- b. Alternately rotate the left and right captive screws one turn counterclockwise until the screws are free of the threaded inserts (see FIGURE 8-7).**

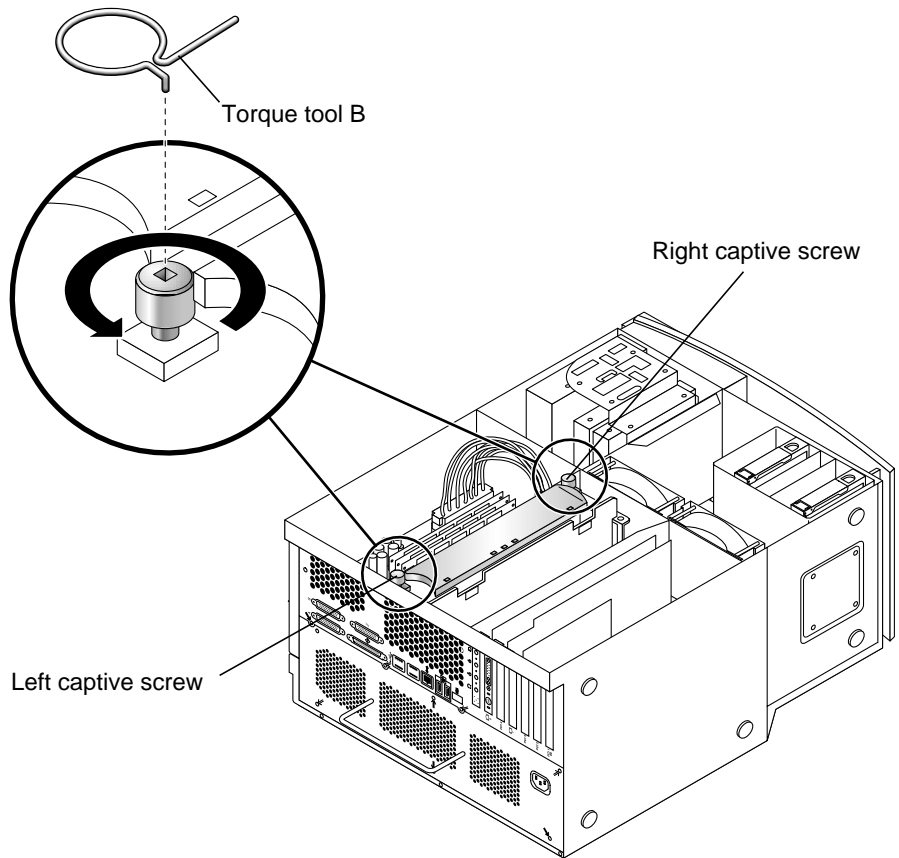


FIGURE 8-7 Using Torque Tool B to Remove a CPU Module



Caution – As you remove the CPU module from the shroud, handle it only by its captive screws. Do not touch the connectors on the bottom edge of the module or the electrical components on the module. The connectors and the components for the module are easily bent or damaged by improper handling and by electrostatic discharge (see FIGURE 8-8).

- c. Use both hands to lift the out of the shroud.
 - d. Place the CPU module on an antistatic mat with the heat sink on the top facing up.
10. If necessary, proceed to Section 8.2.3, “Replacing an UltraSPARC III CPU Module” on page 8-12.

8.2.3

Replacing an UltraSPARC III CPU Module



Caution – Perform the procedures described in TABLE 8-2 when unpacking a new CPU module from its packing carton.

TABLE 8-2 CPU Module Handling Procedures

Step	Description
1	Use proper ESD grounding techniques when handling components. Wear an antistatic wrist strap and use an antistatic mat. Store ESD-sensitive components in antistatic bags before placing them on any surface.
2	When you remove a CPU module from its packing carton, use both hands to support the module along its sides.
3	As you remove the CPU module from its antistatic bag, handle it only by its captive screws. Do not touch the connectors on the bottom edge of the module. The connectors for the module are easily bent or damaged by improper handling.
4	Do not remove the plastic cover from the CPU module connectors until you are ready to install the module into the workstation motherboard.
5	Do not grip the CPU module by its heat sink.

1. Remove the plastic cover from the CPU module connectors (see FIGURE 8-8).

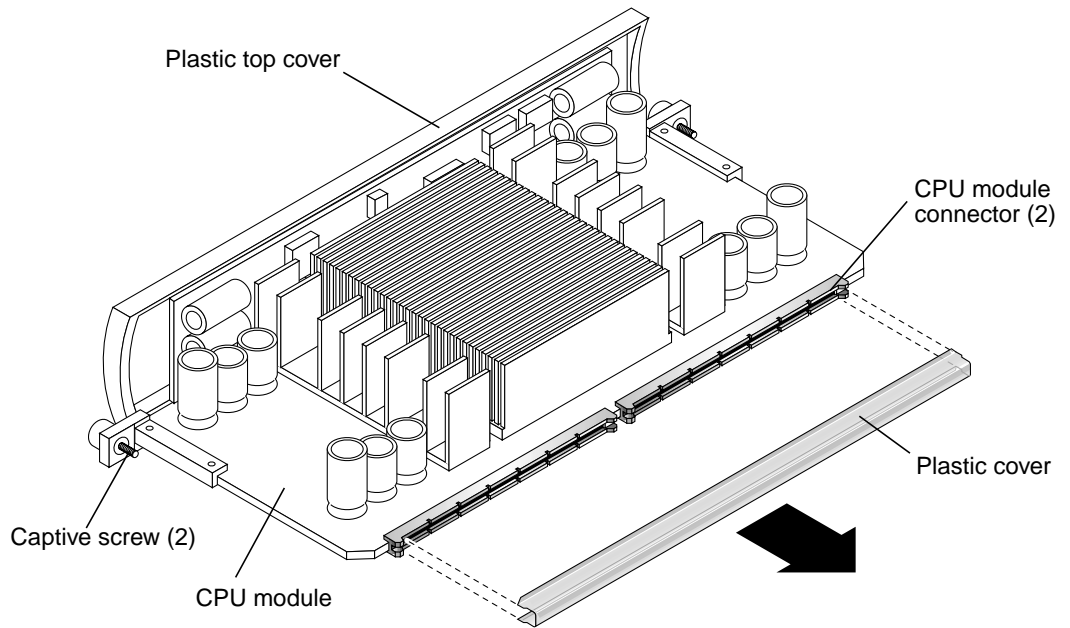


FIGURE 8-8 Removing the Plastic Cover From the CPU Module Connectors

2. Lower the CPU module into the shroud until the CPU module's captive screws are aligned with the threaded inserts (see FIGURE 8-9).

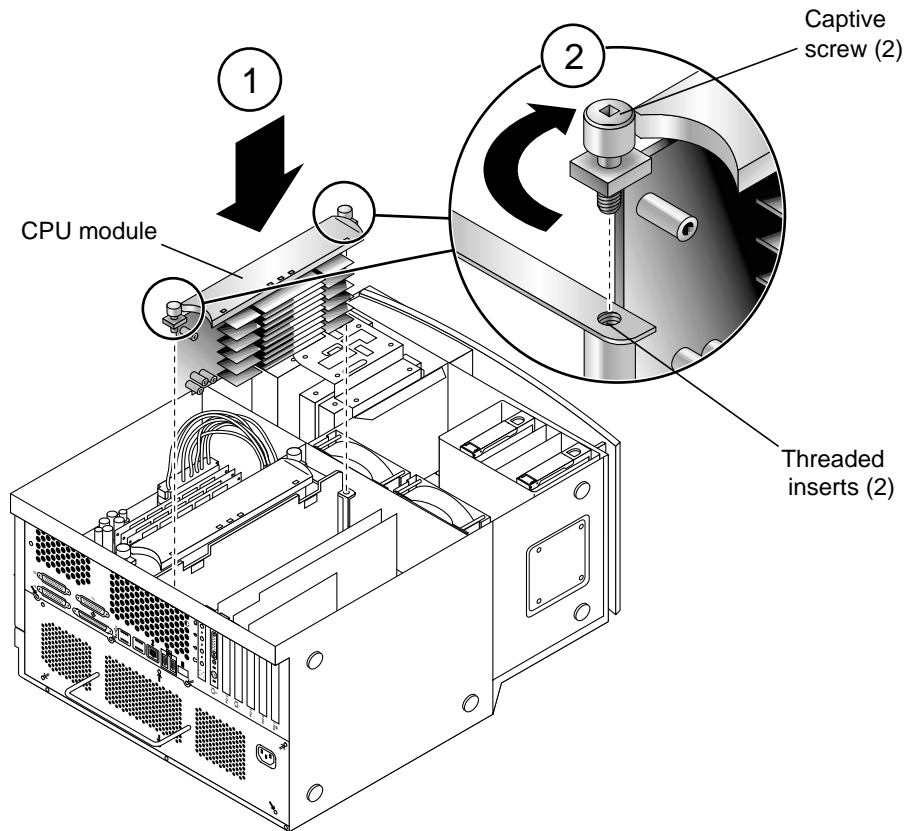


FIGURE 8-9 Lowering the CPU Module Into the Threaded Inserts

- 3. Tighten both captive screws by hand until the screws contact the threaded inserts of the CPU shroud.**

Once the CPU module is seated, surface contact between the captive screws and the threaded inserts of the shroud typically occurs in less than one turn of both left and right captive screws.

- 4. Do one of the following:**
 - a. If you have torque tool A, perform Steps 10-15.**
 - b. If you have torque tool B, perform Steps 5-9 and 14-15.**
- 5. Use torque tool B to rotate the left captive screw one turn clockwise (see FIGURE 8-10).**



Caution – Do not use a torque tool from another Sun product. The Sun Blade torque tools are specifically designed for this workstation.

6. Use torque tool B to rotate the right captive screw one turn clockwise (see FIGURE 8-10).

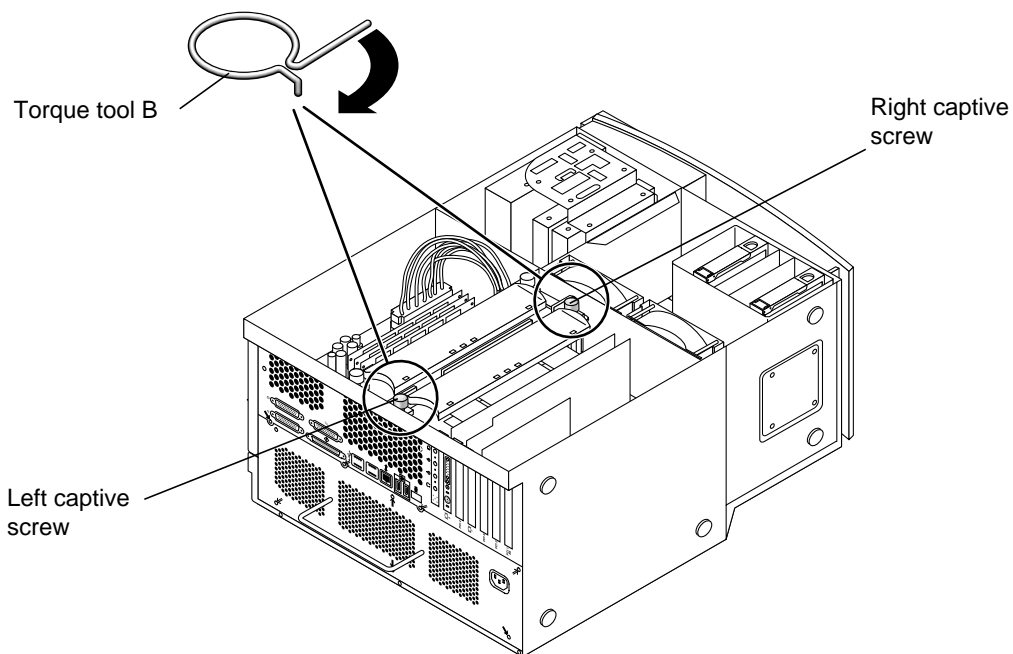


FIGURE 8-10 Alternately Rotating Left and Right Captive Screws One Turn Clockwise



Caution – Under torquing the captive screws for the CPU module may cause a loss of contact between the CPU module and the motherboard connector. This may cause failure of the workstation to boot. Over torquing the captive screws for the CPU module may cause severe damage to the module and a potential workstation failure.

7. Repeat Step 5 and Step 6 until the gap for torque tool B is 0.0 inches (0.0 mm) (see FIGURE 8-11).

Use the torque tool to alternately tighten the left and right captive screws to the correct torque. Always rotate the left captive screw one turn clockwise and then rotate the right captive screw one turn clockwise. This assures that a uniform and even torque is applied to the CPU module.

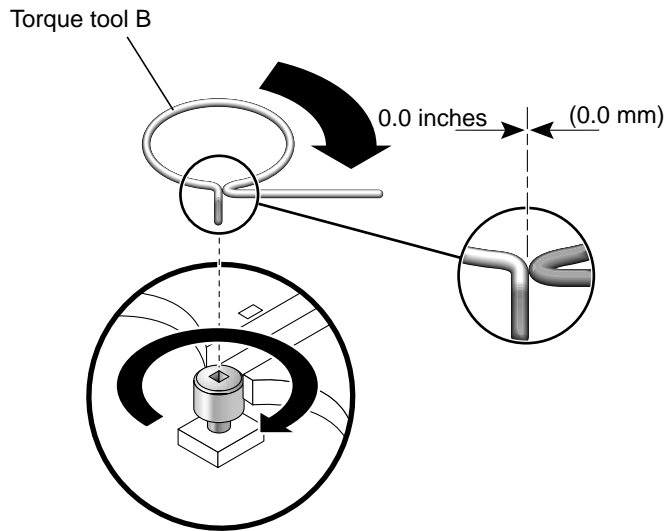


FIGURE 8-11 Adjusting Captive Screws Until the Torque Tool Gap Is 0.0 Inches (0.0 MM.)

- 8. Return torque tool B to its green plastic holder, then return the holder to its storage location in the hard drive bracket.**
- 9. If necessary install the cover for the shroud (see FIGURE 8-12)**

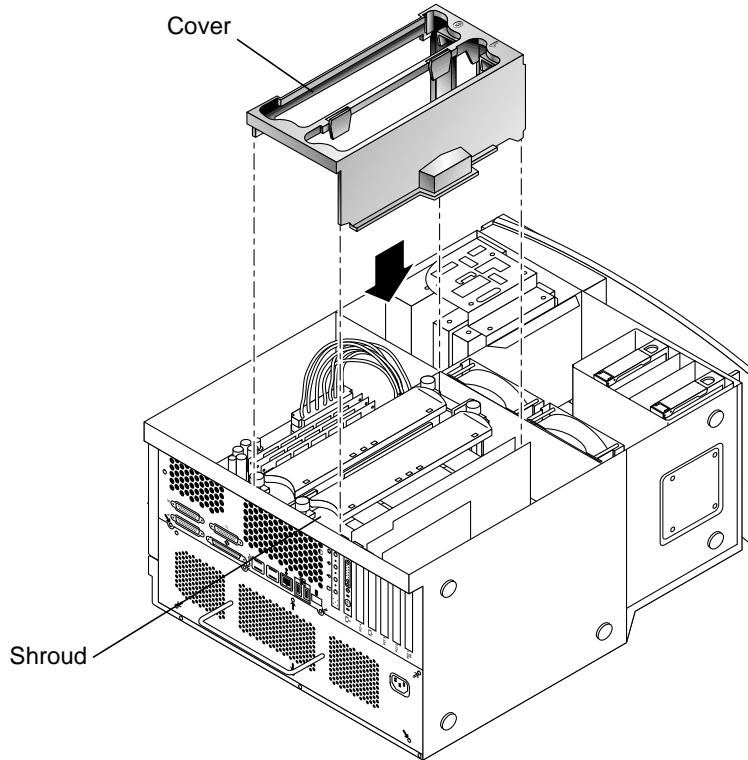


FIGURE 8-12 Installing the Cover for the Shroud

- 10. Use torque tool A to rotate the left captive screw one turn clockwise (see FIGURE 8-13).**
- 11. Use torque tool A to rotate the right captive screw one turn clockwise (see FIGURE 8-13).**

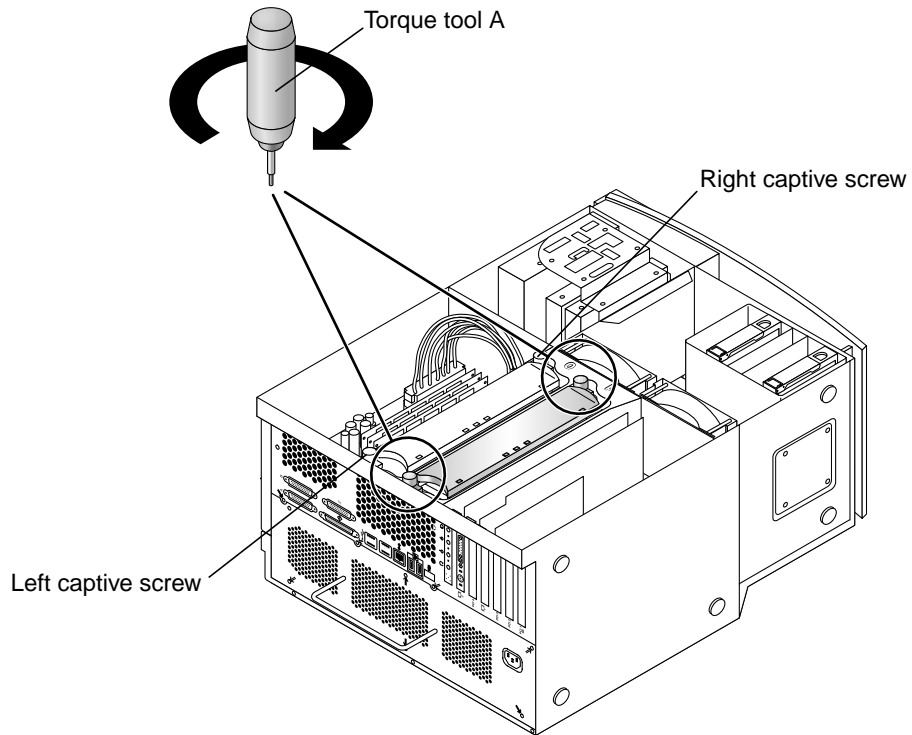


FIGURE 8-13 Alternately Rotating Left and Right Captive Screws One Turn Clockwise

12. Repeat Steps 10 and 11 until torque tool A clicks (see FIGURE 8-14).

Seating occurs when both captive screws are evenly torqued to 5 inch-lbs. (58 grams-meter). Torque tool A clicks the adjustment specification is achieved.

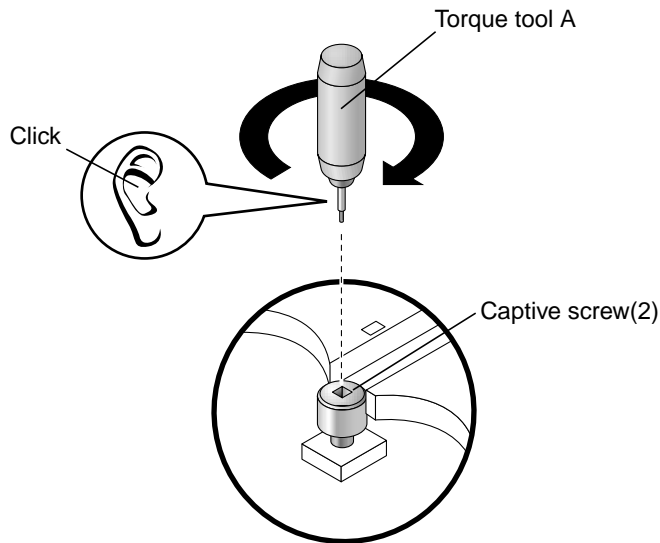


FIGURE 8-14 Torque Tool A Clicks When the Captive Screws Are Correctly Torqued

13. Return torque tool A to its storage location in the workstation.
14. If necessary, reinstall the filler panel for the shroud.



Caution – To ensure proper workstation cooling, any unused CPU slot must contain a filler panel for the shroud (see FIGURE 8-4).

15. Detach the antistatic wrist strap, replace the access panel, plug in the power cord, and power on the workstation.

8.3 PCI Card

Perform the following procedures to remove and replace a PCI card.

8.3.1 Removing a PCI Card

1. **Power off the workstation, remove the access panel, and attach the antistatic wrist strap.**
See Chapter 5.
2. **Disconnect any external cables from the PCI card that you plan to remove.**
3. **Lay the workstation on its side.**



Caution – Use proper ESD grounding techniques when handling components. Wear an antistatic wrist strap and use an antistatic mat. Store ESD-sensitive components in antistatic bags before placing them on any surface.

Note – To remove extra-long PCI cards, detach the fan bracket tabs and pull the bracket back out of the way.

4. **Using a No. 2 Phillips screwdriver, remove the screw securing the PCI card bracket tab to the workstation chassis (FIGURE 8-15).**



Caution – Avoid damaging the connector by not applying force to one end or one side of the board.

5. **Pull the upper two corners of the card straight up from the connector.**
6. **Remove the PCI card.**
7. **Place the PCI card on an antistatic mat.**

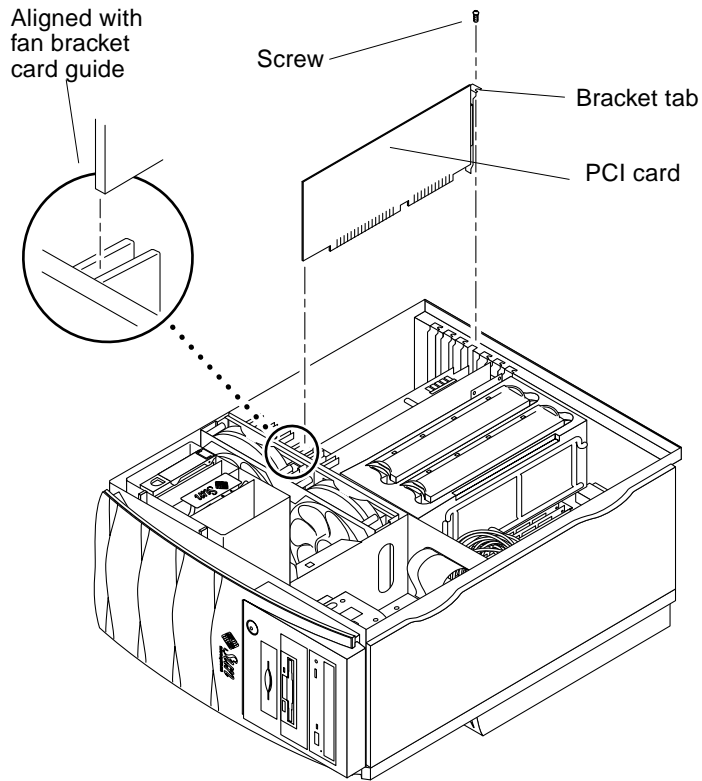


FIGURE 8-15 Removing and Replacing a PCI Card

8.3.2 Replacing a PCI Card

Perform the following procedures to replace a PCI card. If necessary, view the ShowMe How video clip located on the Sun Blade 1000 and Sun Blade 2000 Hardware Documentation CD-ROM.



Caution – Use proper ESD grounding techniques when handling components. Wear an antistatic wrist strap and use an antistatic mat. Store ESD-sensitive components in antistatic bags before placing them on any surface.

Note – Read the PCI card product guide for information about jumper or switch settings, connector requirements, and required tools.

Note – To insert extra-long PCI cards, detach the fan bracket tabs and pull the bracket back out of the way.

1. **Position the PCI card in the chassis** (FIGURE 8-15).
2. **Guide the card bracket tab into the chassis back-panel opening. Guide the opposite end of the card into the fan bracket card guide so that the card is aligned evenly with the motherboard connector.**
3. **At the two upper corners of the PCI card, push the PCI card straight down into the connector until the PCI card is fully seated.**
4. **Using a No. 2 Phillips screwdriver, replace the screw securing the PCI card bracket tab to the workstation chassis.**

Note – If you have removed the fan bracket for extra-long PCI cards, replace it by latching it into the slots in the chassis.

5. **If necessary, reattach the fan bracket removed earlier.**
6. **Connect any cables to the PCI boards.**
7. **Detach the antistatic wrist strap, replace the access panel, and power on the workstation.**
See Chapter 9.
8. **Verify proper operation.**
See Section 3.4, “Maximum and Minimum Levels of POST” on page 3-5.

8.4 Graphics Card

Perform the following procedure to remove and replace a graphics card. If necessary, view the ShowMe How video clip located on the Sun Blade 1000 and Sun Blade 2000 Hardware Documentation CD-ROM.

8.4.1 Graphics and PCI Card Options

For maximum system performance, the following graphics cards and all 33 MHz PCI options must be installed in PCI card slot 2, 3, or 4 on PCI Bus B (33 MHz Bus):

- Sun Expert3D graphics card
- Sun Expert3D Lite graphics card
- Sun XVR-500 graphics card
- Sun XVR-1000 graphics card
- Sun PGX64 graphics card
- SunATM™/P 155 MMF adapter
- SunATM/P 155 UTP5 adapter
- SunATM/P 622 MMF adapter

Note – Installing a 33 MHz card into a 66 MHz Extended Peripheral Component Interconnect (EPCI) slot (J2301) decreases workstation performance (see FIGURE 8-16).

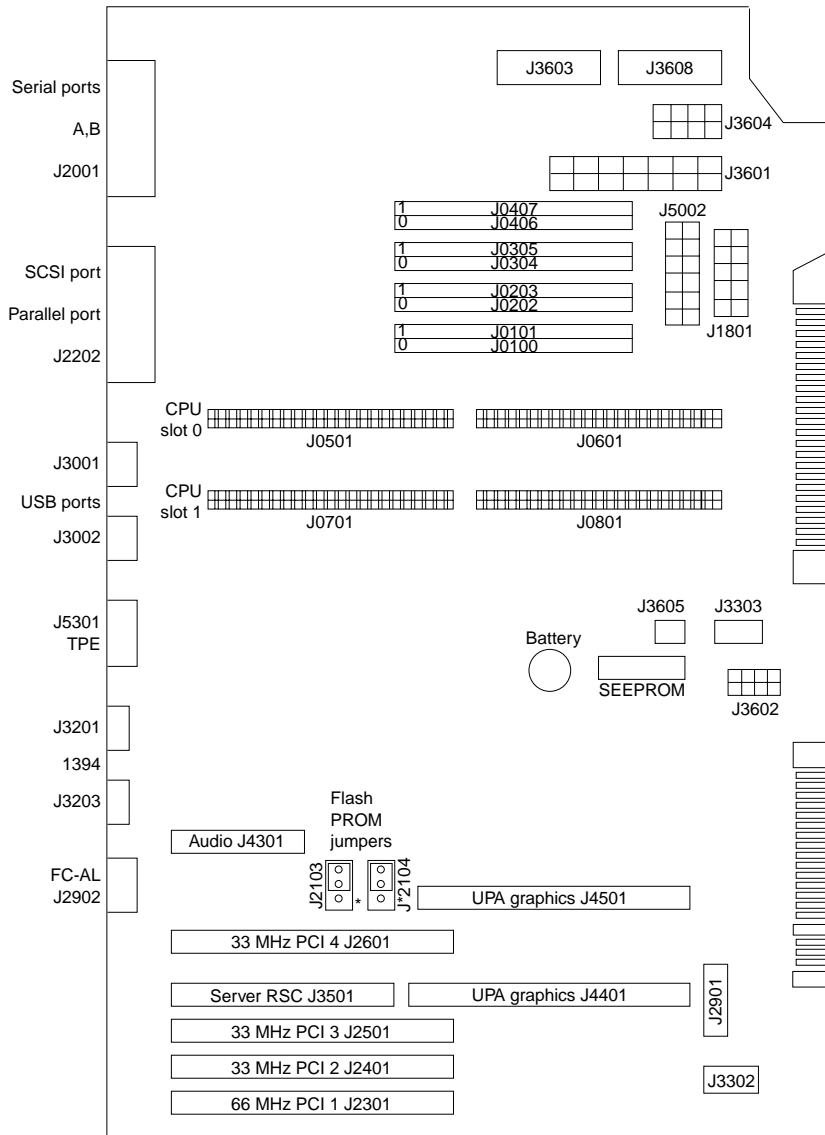


FIGURE 8-16 Graphics, EPCI, and PCI Card Slots

8.4.2 Sun Expert3D and Expert-Lite Graphics Cards

A software patch is required when two Sun Expert3D or Expert3D Lite graphics cards are installed in a Sun Blade 1000 and Sun Blade 2000 workstations. This software patch prevents system lockup of the CPUs when processing data between

two Expert3D or Expert3D-Lite graphics cards. The software patch number is 108576-08 and is downloaded when you install the Sun Expert3D or Expert3D Lite software provided with the graphics card installation kit. Check for the latest patch level at the following Sun web site:

<http://www.sun.com/sunsolve/>

8.4.3 Removing the Graphics Card

1. **Power off the workstation, remove the access panel, and attach the antistatic wrist strap.**
See Chapter 5.
2. **Lay the workstation on its side.**
3. **Disconnect the video cable from the graphics card video connector.**



Caution – Use proper ESD grounding techniques when handling components. Wear an antistatic wrist strap and use an antistatic mat. Store ESD-sensitive components in antistatic bags before placing them on any surface.

4. **Using a No. 2 Phillips screwdriver, remove the screw securing the graphics card bracket tab to the workstation chassis (FIGURE 8-17).**



Caution – Avoid applying force to one end or one side of the board, or connector damage may occur.

5. **At the two upper corners of the graphics card, pull the card straight up from the connector.**
6. **Remove the graphics card.**
7. **Place the graphics card on an antistatic mat.**

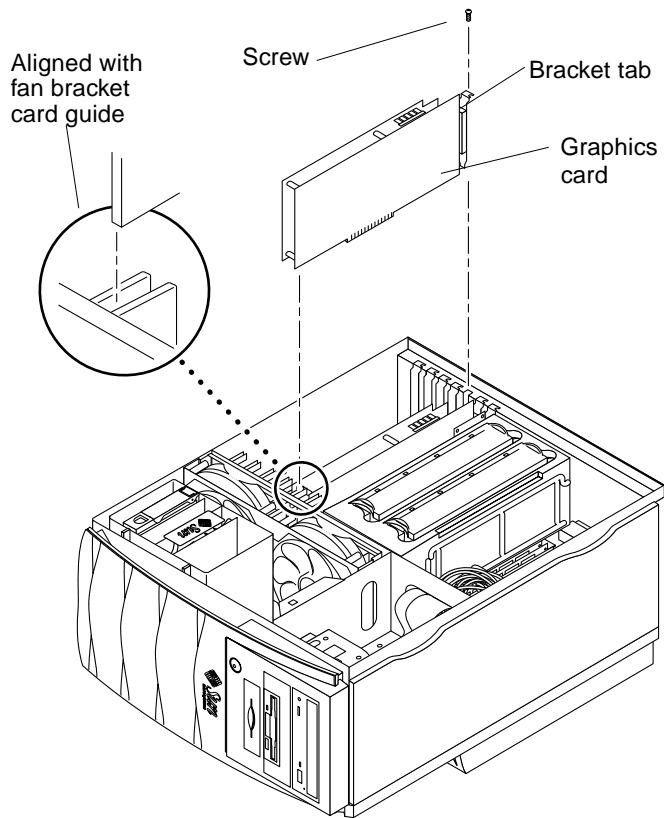


FIGURE 8-17 Removing and Replacing a Graphics Card

8.4.4 Replacing the Graphics Card



Caution – Use proper ESD grounding techniques when handling components. Wear an antistatic wrist strap and use an antistatic mat. Store ESD-sensitive components in antistatic bags before placing them on any surface.

1. **Position the graphics card in the chassis (FIGURE 8-17).**
2. **Guide the card bracket tab into the chassis back-panel slot opening. Next, guide the opposite end of the card into the fan bracket card guide so that the card is aligned evenly with the motherboard connector.**



Caution – Avoid applying excessive force to one end or one side of the card, or connector damage might occur.

- 3. At the two upper corners of the card, push the card straight down into the connector until the card is fully seated.**

Note – The graphics card connector is a double-row connector that requires two levels of insertion. When installing the graphics card, ensure that the card is fully seated into the connector.

- 4. Using a No. 2 Phillips screwdriver, replace the screw securing the bracket tab to the workstation chassis.**
- 5. Detach the antistatic wrist strap, replace the access panel, and power on the workstation.**
See Chapter 9.
- 6. Connect the video cable to the graphics card video connector.**

8.5 Audio Module Assembly

Perform the following procedures to remove and replace the audio module assembly. If necessary, view the ShowMe How video clip located on the Sun Blade 1000 and Sun Blade 2000 CD-ROM.

8.5.1 Removing the Audio Module Assembly

1. **Power off the workstation, remove the access panel, and attach the antistatic wrist strap.**
See Chapter 5.
2. **Lay the workstation on its side.**
3. **Disconnect any external audio cables from the audio module assembly.**



Caution – Use proper ESD grounding techniques when handling components. Wear an antistatic wrist strap and use an antistatic mat. Store ESD-sensitive components in antistatic bags before placing them on any surface.

4. **Using a No. 2 Phillips screwdriver, remove the screw securing the audio module assembly bracket tab to the workstation chassis (FIGURE 8-18).**



Caution – Avoid damaging the connector by not applying force to one end or one side of the module.

5. **At the two upper corners of the audio module assembly, pull the module straight up from the connector.**
6. **Remove the audio module assembly.**
7. **Place the audio module assembly on an antistatic mat.**

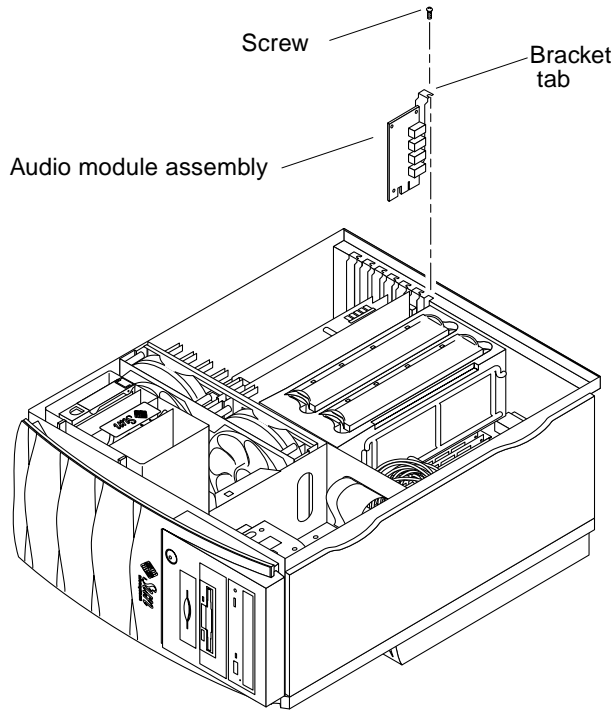


FIGURE 8-18 Removing and Replacing the Audio Module Assembly

8.5.2

Replacing the Audio Module Assembly



Caution – Use proper ESD grounding techniques when handling components. Wear an antistatic wrist strap and use an antistatic mat. Store ESD-sensitive components in antistatic bags before placing them on any surface.

1. **Position the audio module assembly into the chassis (FIGURE 8-18).**
2. **Lower the audio module assembly connector so that it touches its associated connector on the motherboard.**
3. **Align the audio module assembly bracket tab with the chassis back panel slot opening.**
4. **At the two upper corners of the module, push the module straight down into the connector until the module is fully seated.**
5. **Using a No. 2 Phillips screwdriver, replace the screw securing the audio module assembly to the workstation chassis.**

6. Connect any external audio cables to the audio card.
7. Detach the antistatic wrist strap, replace the access panel, and power on the workstation.

See Chapter 9.

8.6 DIMM

Perform the following procedures to remove and replace a DIMM. If necessary, view the ShowMe How video clip located on the Sun Blade 1000 and Sun Blade 2000 Hardware Documentation CD-ROM.



Caution – Use proper ESD grounding techniques when handling components. Wear an antistatic wrist strap and use an antistatic mat. Store ESD-sensitive components in antistatic bags before placing them on any surface.



Caution – When you remove and replace a single DIMM, an identical replacement is required. The replacement DIMM must be inserted into the same socket as the removed DIMM.



Caution – Each DIMM bank must contain at least four DIMMs of equal density (for example, four 128-Mbyte DIMMs) to function properly. Do not mix DIMM densities within any bank.



Caution – Handle DIMMs only by the edges. Do not touch the DIMM components or metal parts. Always wear a grounding strap when handling a DIMM.

8.6.1 Removing a DIMM

1. Power off the workstation, remove the access panel, and attach the antistatic wrist strap.

See Chapter 5.



Caution – Use proper ESD grounding techniques when handling components. Wear an antistatic wrist strap and use an antistatic mat. Store ESD-sensitive components in antistatic bags before placing them on any surface.

2. Lay the workstation on its side.
3. Locate the DIMM(s) to be removed.
4. Press down the ejection lever at each end of the DIMM connector (FIGURE 8-19).
5. Lift the DIMM straight out of the connector and set it aside on the antistatic mat.

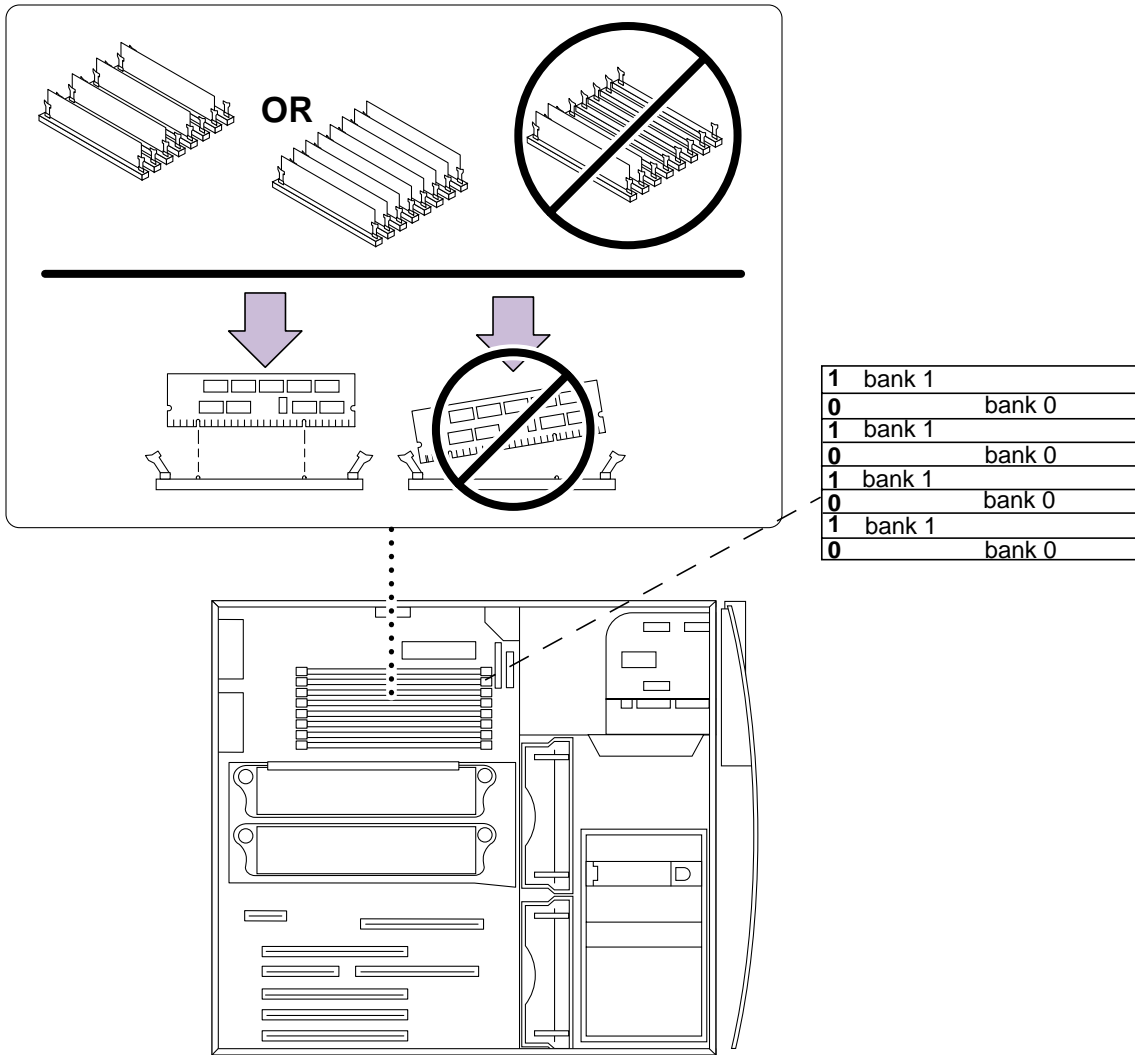


FIGURE 8-19 Removing and Replacing a DIMM

8.6.2 Replacing a DIMM



Caution – Do not remove any DIMM from the antistatic container until you are ready to install it on the motherboard. Handle DIMMs only by their edges. Do not touch DIMM components or metal parts.

Note – For optimum memory performance, consider interleaving issues when installing DIMMs. See Section C.1.3.5, “System Memory Interleaving” on page C-14.



Caution – Use proper ESD grounding techniques when handling components. Wear an antistatic wrist strap and use an antistatic mat. Store ESD-sensitive components in antistatic bags before placing them on any surface.

1. Before installing a DIMM, review the following guidelines:

- DIMMs are arranged in two banks, 0 and 1. Each bank has four connectors labeled “0” or “1”.
- The workstation must have four or eight DIMMs installed to operate.
- Each DIMM bank must contain four DIMMs of equal size to function properly. For example four 128-Mbyte DIMMs in bank 0, four 256-Mbyte DIMMs in bank 1.
- The default location for DIMMs installed at the factory is the four connectors labeled “0” (FIGURE 8-19).

2. Remove the DIMM from the antistatic container.

3. Install the DIMM as follows (FIGURE 8-19):

- a. **Align the notches on the DIMM with the memory connector.**
- b. **Using your thumbs, press the DIMM straight down into the connector until the ejection levers click, locking the DIMM in the connector.**

Note – The DIMM is seated when you hear a clicking sound and the DIMM ejection levers are in the vertical position.

4. Detach the antistatic wrist strap, replace the access panel, and power on the workstation.

See Chapter 9.

5. Verify proper operation.

See Section 3.4, “Maximum and Minimum Levels of POST” on page 3-5.

8.7 Replaceable Battery

The workstation contains a replaceable lithium battery, part number 150-2850. Lithium batteries may explode if mishandled. Do not dispose of the battery in fire. Do not disassemble it or attempt to recharge it.

8.7.1 Removing the Battery

1. **Power off the workstation, remove the access panel, and attach the antistatic wrist strap.**

See Chapter 5.



Caution – Use proper ESD grounding techniques when handling components. Wear an antistatic wrist strap and use an antistatic mat. Store ESD-sensitive components in antistatic bags before placing them on any surface.

2. **Lay the workstation on its side.**
3. **Locate the battery on the motherboard.**
See FIGURE C-15.
4. **Remove the cover for the CPU shroud.**
See Section 8.9.1, “Removing the CPU Shroud” on page 8-40.
5. **Remove the graphics card.**
See Section 8.4.3, “Removing the Graphics Card” on page 8-25.
6. **Carefully lift the battery retaining clip with a small screwdriver.**
7. **Carefully slide the battery out of its socket and remove it from the workstation.**

8.7.2 Replacing the Battery

Note – Install the new battery with the plus (+) side up.

1. **Hold the battery retaining clip up and slide the battery into its socket.**

2. Install the graphics card.

See Section 8.4.4, “Replacing the Graphics Card” on page 8-26.

3. Install the CPU shroud cover.

See Section 8.9.2, “Replacing the CPU Shroud” on page 8-41.

4. Detach the antistatic wrist strap, replace the access panel, and power on the workstation.

See Chapter 9.

5. Reset the time of day and date.

If necessary, at the system prompt type: `date [-u] mmddHHMM[[cc]yy][.ss]`

8.8 Motherboard

Perform the following procedures to remove and replace the motherboard. If necessary, view the ShowMe How video clip located on the Sun Blade 1000 and Sun Blade 2000 Hardware Documentation CD-ROM.



Caution – Use an antistatic mat when working with the motherboard. An antistatic mat contains the cushioning needed to protect the underside components, to prevent motherboard flexing, and to provide antistatic protection.

Note – If you are replacing the motherboard, remove the audio module, graphics card(s), CPU module(s), and PCI card(s) prior to removing the motherboard. Note the chassis connector location for each graphics card and PCI card prior to removal.

Note – The workstation ID SEEPROM contains the system host identification (ID) and Ethernet address. If the same ID and Ethernet address are to be used on the replacement motherboard, remove the workstation ID SEEPROM from the motherboard and install the removed workstation ID SEEPROM on the replacement motherboard after motherboard installation. See FIGURE C-15.

8.8.1 Removing the Motherboard

1. **Power off the workstation, remove the access panel, and attach the antistatic wrist strap.**

See Chapter 5.

2. **Lay the workstation on its side (FIGURE 8-20).**

3. **Remove the following:**

- a. **CPU module(s)**

See Section 8.2.2, “Removing a CPU Module” on page 8-6.

- b. **PCI card(s)**

See Section 8.3.1, “Removing a PCI Card” on page 8-20.

- c. **Graphics card(s)**

See Section 8.4.3, “Removing the Graphics Card” on page 8-25.

- d. **Audio module**

See Section 8.5.1, “Removing the Audio Module Assembly” on page 8-28.

4. **Disconnect the power supply cables from motherboard connectors J3601 and J3603.**

5. **Disconnect the following cables from the motherboard:**

- Power supply cables to each fan
- Combined cable assembly
- Internal SCSI cable assemblies
- Peripheral power cable assembly
- FC-AL backplane cable assembly
- Diskette drive cable assembly
- Smart card reader cable assembly
- Logo LED cable assembly

6. **Using a No. 2 Phillips screwdriver, remove the three screws securing the motherboard to the chassis back panel (FIGURE 8-20).**



Caution – Handle the motherboard only by its edges or the CPU shroud.

7. **Separate the CPU shroud from its cover by pressing the tabs together and withdrawing the cover for the CPU shroud from the chassis.**

8. **Using the attached part of the CPU shroud, push the motherboard carefully toward the front of the unit until it is disengaged from the chassis.**

9. Lift the motherboard from the chassis and place it on an antistatic mat.
10. Remove the CPU shroud from the motherboard.
See Section 8.9.1, “Removing the CPU Shroud” on page 8-40.
11. Remove the DIMMs.
See Section 8.6.1, “Removing a DIMM” on page 8-30.
12. Remove the workstation ID EEPROM.
See FIGURE C-15.

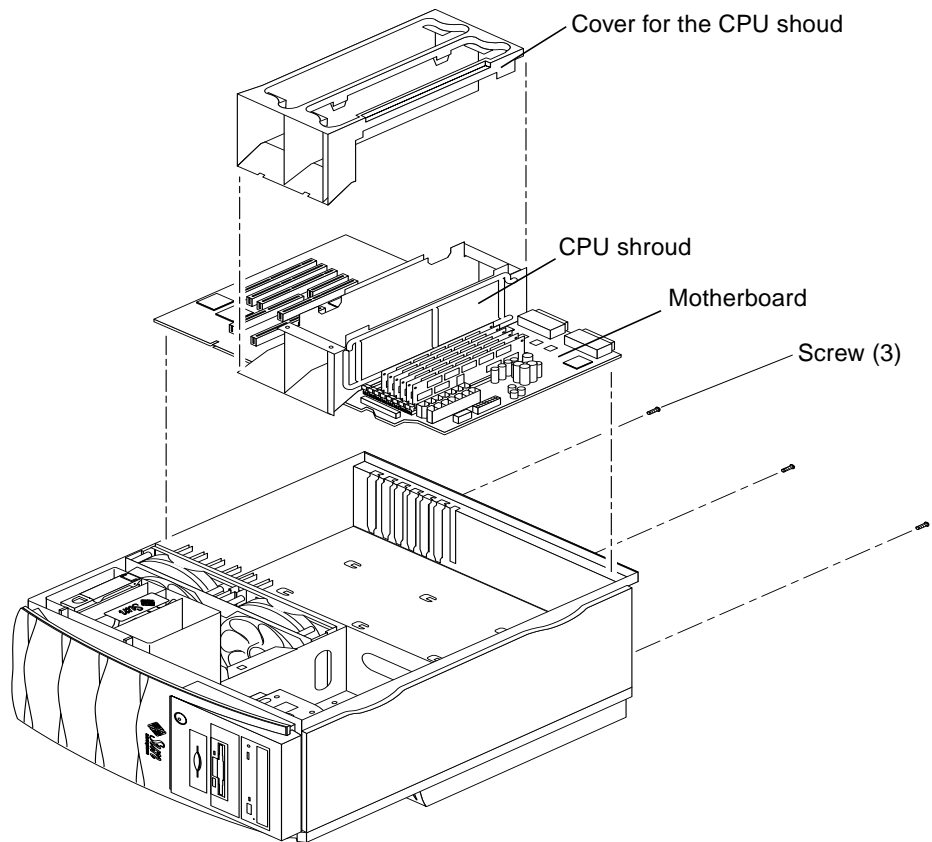


FIGURE 8-20 Removing and Replacing the Motherboard

8.8.2 Replacing the Motherboard



Caution – Use proper ESD grounding techniques when handling components. Wear an antistatic wrist strap and use an antistatic mat. Store ESD-sensitive components in antistatic bags before placing them on any surface.

1. **Place the motherboard on an antistatic mat.**



Caution – Handle the motherboard only by its edges or the shroud.

2. **Replace the workstation ID EEPROM.**
See FIGURE C-15.
3. **Install a new battery.**
See Section 8.7.2, “Replacing the Battery” on page 8-34.
4. **Replace the DIMMs.**
See Section 8.6.2, “Replacing a DIMM” on page 8-32.
5. **Replace the CPU shroud cover.**
See Section 8.9.2, “Replacing the CPU Shroud” on page 8-41.
6. **Using needle-nosed pliers, remove the CPU connector covers.**
7. **Position the motherboard in the chassis** (FIGURE 8-20).
8. **Align the motherboard frame with the chassis tabs and carefully slide the motherboard toward the chassis back panel until the motherboard frame is engaged with the chassis tabs.**
9. **Using a No. 2 Phillips screwdriver, replace the three screws that secure the motherboard to the chassis back panel** (FIGURE 8-20).
10. **Connect the following cables to the motherboard:**
 - Power supply cables to each fan
 - Combined cable assembly
 - Internal SCSI cable assemblies
 - Peripheral power cable assembly
 - FC-AL backplane cable assembly
 - Diskette drive cable assembly
 - Smart card reader cable assembly
 - Logo LED cable assembly
11. **Connect the power supply cables to motherboard connectors J3601 and J3603.**

12. Replace the following:

a. Audio card

See Section 8.5.2, “Replacing the Audio Module Assembly” on page 8-29.

b. Graphics card(s)

See Section 8.4.4, “Replacing the Graphics Card” on page 8-26.

c. PCI card(s)

See Section 8.3.2, “Replacing a PCI Card” on page 8-22.

d. CPU shroud

See Section 8.9.2, “Replacing the CPU Shroud” on page 8-41.

e. CPU module(s)

See Section 8.2.3, “Replacing an UltraSPARC III CPU Module” on page 8-12.

13. Detach the antistatic wrist strap, replace the access panel, and power on the workstation.

See Chapter 9.

14. Select RS-232 or RS-423 mode at serial ports A and B.

Note – The default setting at serial ports A and B is the RS-423 mode. To change the serial port mode proceed as follows.

a. At the `ok` prompt, type:

```
setenv ttya-mode 9600,8,n,1,-,rs232
setenv ttyb-mode 9600,8,n,1,-,rs232
```

b. Type `reset-all` to implement the new mode.

Note – Setting only one of the `ttya` or `ttyb` `rs232/rs423` mode variables causes both ports to be set to that mode.

15. Reset the `#power-cycles` NVRAM variable to zero as follows:

a. Press the keyboard Stop and A keys after the system banner appears on the monitor.

b. At the `ok` prompt, type:

```
ok setenv #power-cycles 0
```

c. Verify that the `#power-cycles` NVRAM variable increments each time the workstation is power cycled.

Note – The Solaris operating environment Power Management software uses the `#power-cycles` NVRAM variable to control the frequency of automatic system shutdown if automatic shutdown is enabled.

16. Verify proper operation.

See Section 3.4, “Maximum and Minimum Levels of POST” on page 3-5.

8.9 CPU Shroud

Use the following procedures to remove and replace the CPU shroud.

8.9.1 Removing the CPU Shroud



Caution – Use proper ESD grounding techniques when handling components. Wear an antistatic wrist strap and use an antistatic mat. Store ESD-sensitive components in antistatic bags before placing them on any surface.

1. Power off the workstation, remove the access panel, and attach the antistatic wrist strap.

See Chapter 5.

2. Lay the workstation on its side.

3. Remove the filler panel.

4. Remove the cover for the CPU shroud (FIGURE 8-21).

Squeeze the two tabs on the cover to release it from the CPU shroud.

5. Remove the CPU module(s).

See Section 8.2.2, “Removing a CPU Module” on page 8-6.

6. Using a No. 2 Phillips screwdriver, loosen the six captive screws securing the CPU shroud to the motherboard.
7. Lift the CPU shroud from the motherboard (FIGURE 8-21).

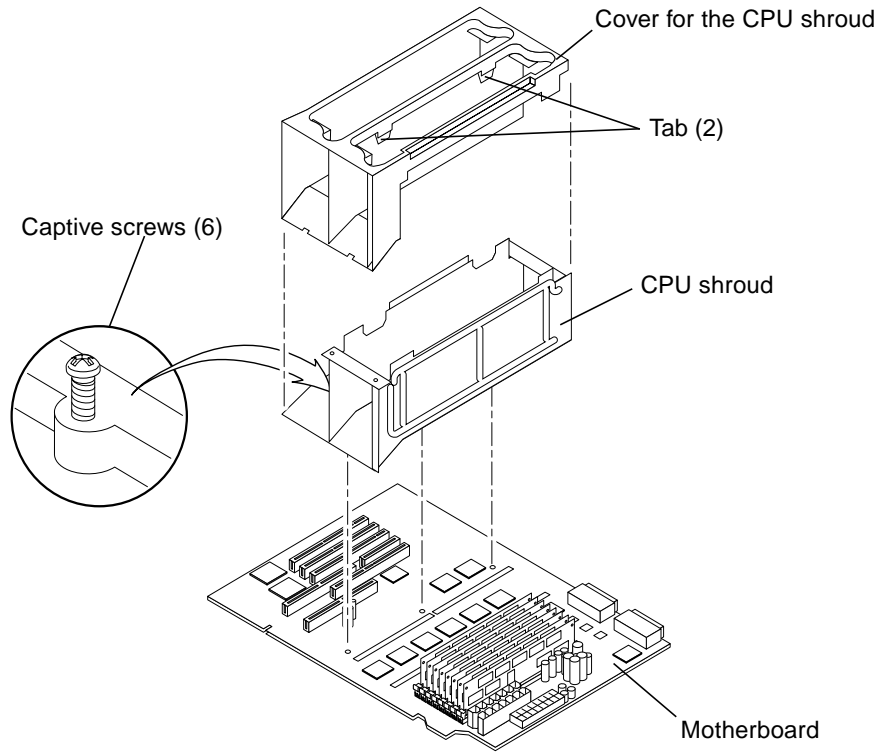


FIGURE 8-21 Removing and Replacing the CPU Shroud

8.9.2

Replacing the CPU Shroud



Caution – Use proper ESD grounding techniques when handling components. Wear an antistatic wrist strap and use an antistatic mat. Store ESD-sensitive components in antistatic bags before placing them on any surface.

1. Position and properly align the CPU shroud on the motherboard (FIGURE 8-21).
2. Using a No. 2 Phillips screwdriver, tighten the six captive screws securing the CPU shroud to the motherboard.

3. Replace the CPU module(s).

See Section 8.2.3, “Replacing an UltraSPARC III CPU Module” on page 8-12.

4. Replace the CPU shroud cover (FIGURE 8-21).

5. Detach the antistatic wrist strap, replace the access panel, and power on the workstation.

See Chapter 9.

Finishing Replacement Procedures

This chapter describes the tasks you must do after you finish removing and replacing internal workstation components. The chapter also explains how to externally control standby operation.

This chapter covers the following topics:

- Section 9.1, “Replacing the Access Panel” on page 9-1
- Section 9.2, “Powering On the Workstation” on page 9-4
- Section 9.3, “Enabling Power Management” on page 9-5
- Section 9.4, “Disabling Power Management” on page 9-7

9.1 Replacing the Access Panel

Perform the following procedure to replace the access panel for the workstation.



Caution – If the access panel is installed incorrectly, the power interlock circuit will remain activated and the workstation will not power on. Ensure that the access panel is installed correctly.

1. Remove the antistatic strap.
2. Hold the access panel, centering it over the chassis opening (FIGURE 9-1).
3. Position the access panel lightly onto the chassis until the access panel hooks engage the chassis rail.
4. Press the top edge of the access panel until it clicks into place.
5. Be sure that the access panel clicks into both sides of the chassis top.
6. Replace the lock block (if necessary) (FIGURE 9-2).

7. Reconnect all external peripherals.
8. Reconnect power cords on all external peripherals.
9. Connect the power cord to the wall socket and to the workstation.

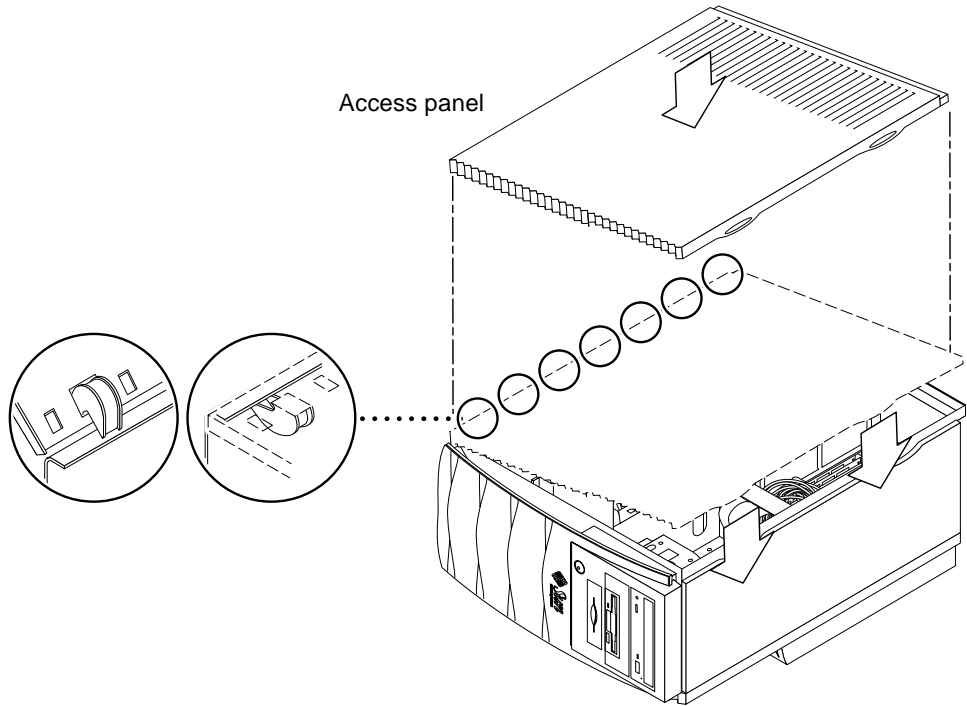


FIGURE 9-1 Replacing the Access Panel

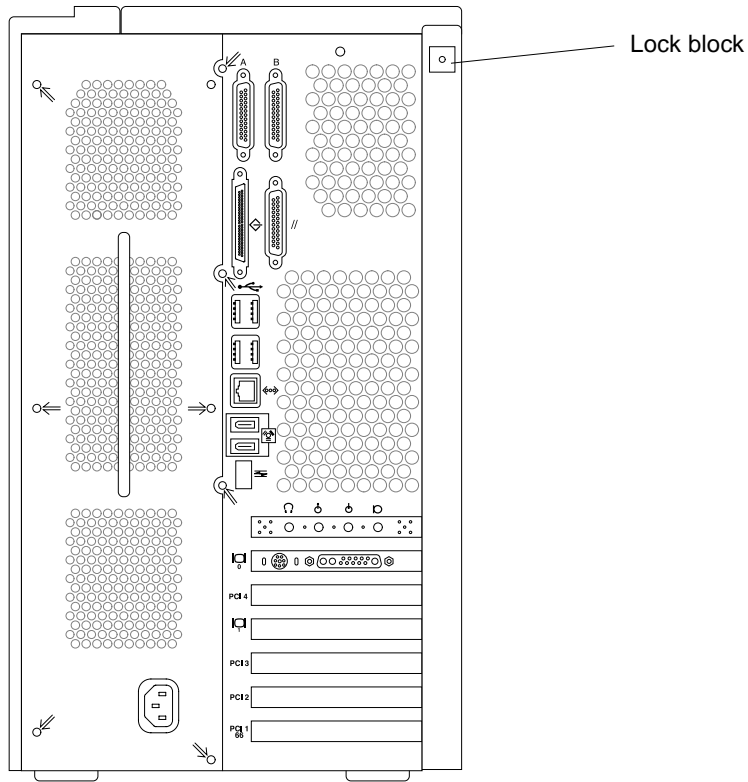


FIGURE 9-2 Lock Block Location

10. Turn on the power to all connected peripherals.

Note – Power to the peripherals should be activated prior to activating workstation power. This enables the system to recognize the peripherals when power to the workstation is turned on.

9.2 Powering On the Workstation

Perform the following procedure to power on the workstation. If necessary, view the ShowMe How video clip located on the Sun Blade 1000 and Sun Blade 2000 Hardware Documentation CD-ROM.

Note – If it is necessary to power off the workstation, see Chapter 5.

Power on the workstation as follows:

1. **Turn on power to the monitor and to all external devices.**



Caution – Once the power for the workstation is switched on, the internal boot process will begin. To prevent hardware failures, do not immediately power off the workstation. Wait until the boot process is complete before powering off the workstation.

2. **Press the power switch on the front panel and release it (FIGURE 9-3).**
3. **After several seconds, verify that the Sun logo on the workstation front panel energizes immediately, verify that the power indicator LED on the power switch is energized, and listen to verify that the workstation fans are spinning.**

Note – The power indicator LED on the power switch will energize after the workstation begins the internal boot process.

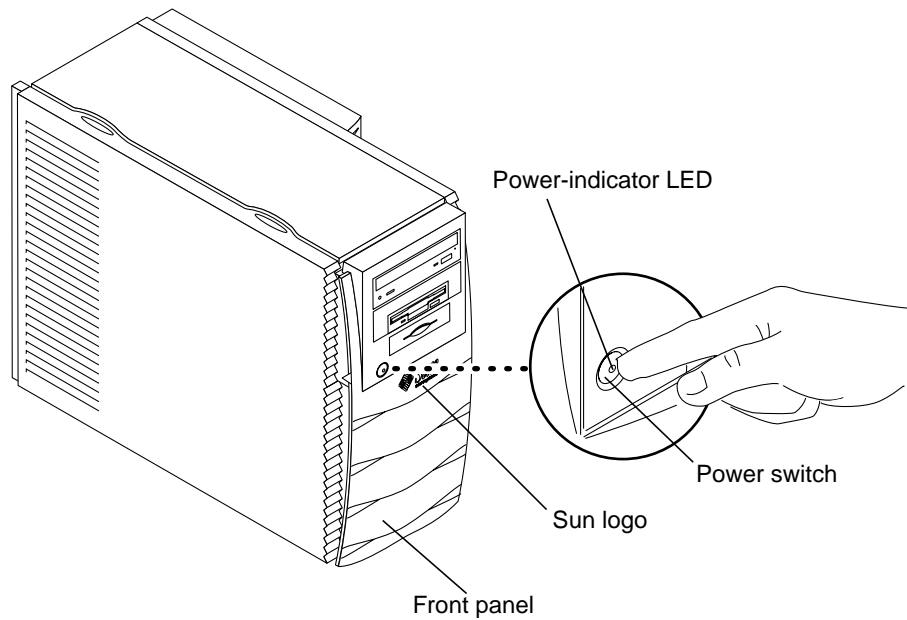


FIGURE 9-3 Workstation Power Switch

9.3 Enabling Power Management

The power-indicator LED in the center of the front panel power switch has three states that indicate the power status of the system, as described in TABLE 9-1.

TABLE 9-1 Power-Indicator LED States

LED Activity	Meaning
LED off	System power is off or system is booting up.
LED blinking	All internal subsystems are in lowest possible power consumption mode for this system. Some hardware components and software drivers do not support this system's lowest possible power consumption mode, when this occurs, the power indicator LED will not blink.
LED on	Full power is on in one or more of the internal subsystems and system self test has completed successfully.

Note – While in low-power mode, your system retains network-awareness, such that it responds to tasks directed to it.

To enable power management:

1. **Press the Sun Type-6 USB keyboard Power key** (see FIGURE 9-4).

The system shutdown menu is displayed.

Note – The Sun Type-6 USB keyboard Power key cannot be used to power on the workstation (as the Power key could be used on earlier versions of Sun keyboards).

2. **Select Low Power from the Power Off Selection dialog box.**

The system completes any in-process activities and then places all idle subsystems into low-power mode.

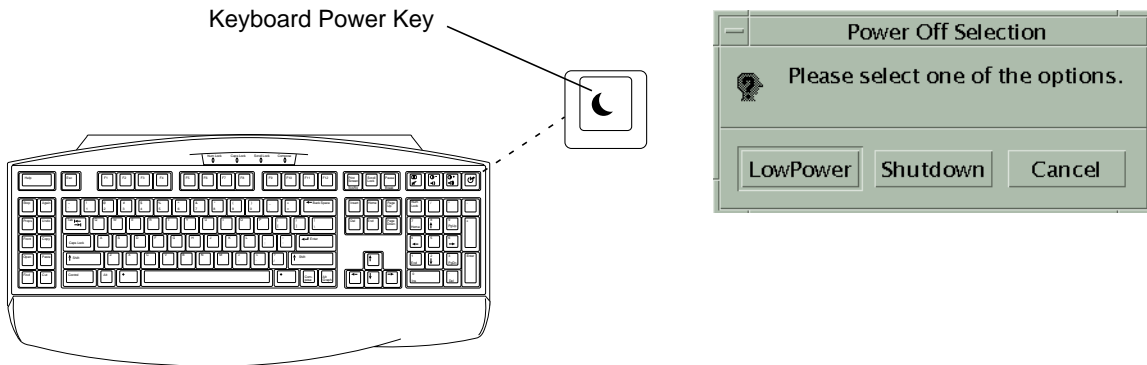


FIGURE 9-4 Sun USB Type-6 Keyboard Power Key and Power Off Selection Dialog Box

9.3.1 Activating the Workstation From Low-Power Mode

To activate a system that is in low-power mode, click a mouse button or press any key on your keyboard. The monitor display, if blank, refreshes, and the subsystems return to full power as they are needed.

Note – By default, the hard drive is spun down when the system enters the low-power mode. The drive can take as long as 30 seconds to spin back up.

9.4 Disabling Power Management

1. At the system prompt type: `/usr/dt/bin/dtpower`
2. Select Disabled for the Current Power Saving Scheme.

Note – You can select Customized, Disabled, Minimal, or Standard as the Current Power Saving Scheme.

OpenBoot Emergency Procedures

The introduction of USB keyboards with Sun's newest desktop systems has made it necessary to change some of the OpenBoot™ emergency procedures. Specifically, the Stop-N, Stop-D, and Stop-F commands that are available on workstations that have standard (non-USB) keyboards and are not supported on systems that have USB keyboards. The following sections describe the OpenBoot emergency procedures for systems with standard keyboards and for newer workstations with USB keyboards.

10.1 OpenBoot Emergency Procedures for Workstations With Standard (Non-USB) Keyboards

When issuing any of the following commands (see TABLE 10-1), hold down the keys immediately after turning on the power to your workstation. Keep the keys pressed for a few seconds until the keyboard LEDs flash.

TABLE 10-1 OpenBoot Emergency Procedure Commands (Non-USB) Keyboards

Command	Description
Stop	Bypass POST. This command does not depend on security mode. (Note: Some systems bypass POST as a default; in such cases, use Stop-D to start POST).
Stop-A	Abort.
Stop-D	Enter the diagnostic mode (set <code>diag-switch?</code> to <code>true</code>).
Stop-F	Enter Forth on TTYA instead of probing. Use <code>fexit</code> to continue with the initialization sequence. This command is useful if your hardware is broken.
Stop-N	Reset NVRAM contents to default values.

10.2 OpenBoot Emergency Procedures for Workstations With USB Keyboards

The following paragraphs describe how to perform the functions of the Stop-commands on workstations that have USB keyboards.

10.2.1 Stop-A Functionality

Stop-A (Abort) works the same as it does on workstations with standard keyboards, except that it does not work during the first few seconds after the machine is reset.

10.2.2 Stop-N Functionality

- 1. Turn on the power to your workstation.**

Wait until the front panel power button LED begins to blink and you hear an audible beep.

2. Quickly press the front panel power button twice (similar to the way you would double-click a mouse).

A screen similar to the following is displayed to indicate that you have successfully reset NVRAM contents to the default values. If a screen similar to the following does not appear, repeat Steps 1 and 2.

```
Sun Blade 1000 and Sun Blade 2000 2 (2 X UltraSPARC III), Keyboard
Present
OpenBoot 4.0, 256 MB memory installed, Serial #12134241.
Ethernet address 8:0:20:b9:27:61, Host ID: 80b92761.

Safe NVRAM mode, the following nvram configuration variables have
been overridden:
  'diag-switch?' is true
  'use-nvramrc?' is false
  'input-device', 'output-device' are defaulted
  'ttya-mode', 'ttyb-mode' are defaulted

These changes are temporary and the original values will be
restored
after the next hardware or software reset.

ok
```

Some NVRAM configuration parameters are reset to their defaults. They include parameters that are more likely to cause problems, such as TTYA settings. These NVRAM settings are only reset to their defaults for this power cycle. If you do nothing other than resetting the system at this point, the values are not permanently changed. Only settings that you change manually at this point become permanent. All other customized NVRAM settings are retained.

Typing `set-defaults` discards any customized NVRAM values and permanently restores the default settings for all NVRAM configuration parameters.

Note – Once the power button LED stops blinking and stays lit, pressing the power button again powers off the workstation.

10.2.3 Stop-F Functionality

Stop-F functionality is not available in workstations with USB keyboards.

10.2.4 Stop-D Functionality

The Stop-D (diags) key sequence is not supported on workstations with USB keyboards. However, Stop-D functionality can be closely emulated by using the power button double-tap (see Chapter 10.2.2). This action temporarily sets `diag-switch?` to `true`. If you want the diagnostic mode turned on permanently, type:

```
ok setenv diag-switch? true
```


Product Specifications

This appendix provides product specifications for the Sun Blade 1000 and Sun Blade 2000 workstations including:

- Section A.1, “Physical Specifications” on page A-1
- Section A.2, “Electrical Specifications” on page A-2
- Section A.3, “Energy Star Compliance” on page A-2
- Section A.4, “Environmental Requirements” on page A-3

A.1 Physical Specifications

TABLE A-1 Physical Specifications

Specification	U.S.A.	Metric
Height	17.8 in.	452 mm
Width	10.0 in.	254 mm
Depth	23.7 in.	602 mm
Weight (approximate)	70.0 lbs	32 Kg

A.2 Electrical Specifications

TABLE A-2 Electrical Specifications

Parameter	Value
AC input	100 to 240 Vac, 47 to 63 Hz, 0.8 KVA
DC output	670W (maximum)
Output 1	+3.3 VDC, 90A
Output 2	+5.0 VDC, 70A
Output 3	+12.0 VDC, 8.0A
Output 4	-12.0 VDC, 0.4A
Output 5	5.0 VDC, 1.5A

A.3 Energy Star Compliance

All standard configurations of the Sun Blade 1000 and Sun Blade 2000 workstations meet Energy Star® guidelines. Any other configuration may not comply with Energy Star guidelines. For additional information about Sun Blade 1000 and Sun Blade 2000 workstation configurations that are Energy Star compliant go to:

<http://store.sun.com>

then select the following links in order:

- Desktops,
- Workstations,
- Sun Blade 1000 and Sun Blade 2000 Workstations

A.4 Environmental Requirements

TABLE A-3 Environmental Requirements

Environmental Factor	Operating Parameters	Nonoperating Parameters
Temperature (with tape drive)	41 to 95 degrees F (5 to 35 degrees C)	-40 to 140 degrees F (-40 to 60 degrees C)
Temperature (without tape drive)	41 to 104 degrees F (5 to 40 degrees C)	-40 to 140 degrees F (-40 to 60 degrees C)
Humidity	5 to 90% at 104 degrees F (40 degrees C) non-condensing	5 to 93% at 104 degrees F (40 degrees C)
Heat Dissipation	1150 BTU/hr. (minimum)	
Altitude (with tape drive)	10,000 ft (3 km) at 86 degrees F (30 degrees C)	40,000 ft (12 km) at 32 degrees F (0 degrees C)
Altitude (without tape drive)	10,000 ft (3 km) at 95 degrees F (35 degrees C)	40,000 ft (12 km) at 32 degrees F (0 degrees C)
Operating acoustic noise	5.64 bels	
Idle acoustic noise	4.77 bels	
Maximum dwells at extremes	16 hr	

Signal Descriptions

This appendix describes the system motherboard connector signals and pin assignments.

- Section B.1, “Power Connectors” on page B-2
- Back panel connectors
 - Section B.2, “Serial Ports A and B” on page B-6
 - Section B.3, “UltraSCSI Connector” on page B-7
 - Section B.4, “Parallel Port Connector” on page B-12
 - Section B.5, “Universal Serial Bus Connector” on page B-13
 - Section B.6, “IEEE 1394 Connector” on page B-14
 - Section B.7, “Twisted-Pair Ethernet Connector” on page B-15
 - Section B.8, “Audio Connectors” on page B-17
 - Section B.9, “FC-AL Rear Panel Connector” on page B-17
 - Section B.10, “Graphics Card Connectors” on page B-18
- Internal connectors
 - Section B.11, “Smart Card Reader Connector” on page B-19
 - Section B.12, “Diskette Drive Connector” on page B-21
 - Section B.13, “Internal SCSI Connector” on page B-24
 - Section B.14, “Internal FC-AL Connector” on page B-25
 - Section B.15, “Logo LED Connector” on page B-26

B.1 Power Connectors

The motherboard has seven power connectors. The following table lists these power connectors, the connector use, and the supporting figure and table. FIGURE C-15 identifies the motherboard connector location

TABLE B-1 Power Connectors

Connector	Use	Supporting Figure	Supporting Table
J3603	Power from power supply	FIGURE B-1	TABLE B-2
J3601	Power from power supply	FIGURE B-2	TABLE B-3
J3302	Power to PCI fan	FIGURE B-3	TABLE B-4
J3303	Power to CPU fan	FIGURE B-4	TABLE B-5
J3602	Power to combined cable assembly	FIGURE B-5	TABLE B-6
J3608	Power to peripheral power cable assembly	FIGURE B-6	TABLE B-7

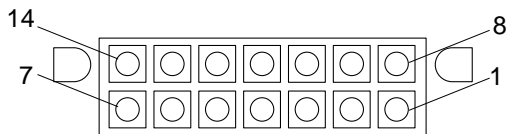


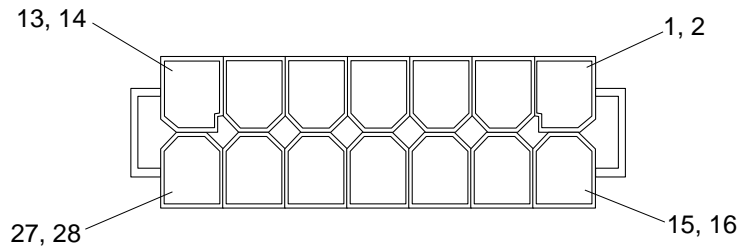
FIGURE B-1 Power Supply Connector J3603

TABLE B-2 Power Supply Connector J3603 Pin Description

Pin	Signal	Description
1	POWERON_L	Power on
2	-12 VDC	-12 VDC
3	+5 VDC Return (SENSE)	+5 VDC Return
4	+3.3 VDC Return (SENSE)	+3.3 VDC Return
5	RETURN	Return
6	RETURN	Return
7	Spare	Spare
8	POWER_OK	Power ok

TABLE B-2 Power Supply Connector J3603 Pin Description (*Continued*)

Pin	Signal	Description
9	PS_FAN	Fan power
10	+5 VDC (SENSE)	+5 VDC (Sense)
11	+3.3 VDC (SENSE)	+3.3 VDC (Sense)
12	+12 VDC	+12 VDC
13	+12 VDC	+12 VDC
14	+5 VDC_STBY	+5 VDC standby

**FIGURE B-2** Power Supply Connector J3601**TABLE B-3** Power Supply Connector J3601 Pin Description

Pin	Signal	Description
1, 2	+3.3 VDC	+3.3 VDC
3, 4	+3.3 VDC	+3.3 VDC
5, 6	+3.3 VDC	+3.3 VDC
7, 8	+3.3 VDC	+3.3 VDC
9, 10	+5 VDC	+5 VDC
11, 12	+5 VDC	+5 VDC
13, 14	+5 VDC	+5 VDC
15, 16	RETURN +3.3 VDC	+3.3 VDC Return
17, 18	RETURN +3.3 VDC	+3.3 VDC Return
19, 20	RETURN +3.3 VDC	+3.3 VDC Return
21, 22	RETURN +3.3 VDC	+3.3 VDC Return

TABLE B-3 Power Supply Connector J3601 Pin Description (Continued)

Pin	Signal	Description
23, 24	RETURN +5 VDC	+5 VDC Return
25, 26	RETURN +5 VDC	+5 VDC Return
27, 28	RETURN +5 VDC	+5 VDC Return

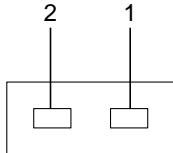


FIGURE B-3 PCI Fan Connector J3302

TABLE B-4 PCI Fan Connector J3302 Pin Description

Pin	Signal	Description
1	FAN_V_OUT0	Fan voltage
2	GND	Ground

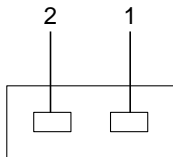


FIGURE B-4 CPU Fan Connector J3303

TABLE B-5 CPU Fan Connector J3303 Pin Description

Pin	Signal	Description
1	FAN_V_OUT1	Fan voltage
2	GND	Ground

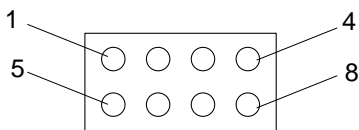
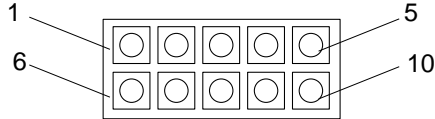


FIGURE B-5 Combined Cable Assembly Connector J3602

TABLE B-6 Combined Cable Assembly Connector J3602 Pin Description

Pin	Signal	Description
1	VCC	Voltage at the common collector
2	SPEAKER_OUT+	Speaker out +
3	SWITCH_L	Switch low
4	POWERON_L	Power on low
5	SYS LED	System LED
6	SPEAKER_OUT-	Speaker out-
7	GND	Ground
8	INTERLOCK_L	Interlock low

**FIGURE B-6** Peripheral Power Cable Assembly Connector J3608**TABLE B-7** Peripheral Power Cable Assembly Connector J3608 Pin Description

Pin	Signal	Description
1	VCC	Voltage at the common collector
2	VCC	Voltage at the common collector
3	VCC	Voltage at the common collector
4	+12 VDC	+12 VDC
5	+12 VDC	+12 VDC
6	GND	Ground
7	GND	Ground
8	GND	Ground
9	GND	Ground
10	GND	Ground

B.2 Serial Ports A and B

The serial port A and B connectors (J2001) are DB-25 connectors located on the motherboard back panel.

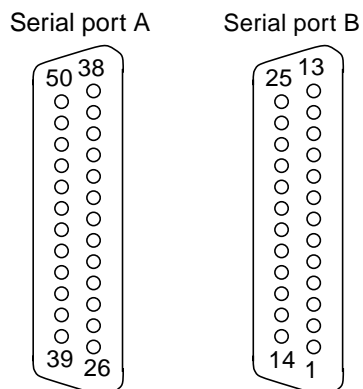


FIGURE B-7 Serial Port A and B Connector Pin Configuration

TABLE B-8 Serial Port A and B Connector Pin Assignments

Pin	Signal	Description
1	NC	Not connected
2	SER_TDX_A_CONN	Transmit data
3	SER_RXD_A_CONN	Receive data
4	SER_RTS_A_L_CONN	Ready to send
5	SER_CTS_A_L_CONN	Clear to send
6	SER_DSR_A_L_CONN	Data set ready
7	GND	Signal ground
8	SER_DCD_A_L_CONN	Data carrier detect
9	BUTTON_POR	Power on reset
10	BUTTON_XIR_L	Transmit internal reset

TABLE B-8 Serial Port A and B Connector Pin Assignments (*Continued*)

Pin	Signal	Description
11	+5VDC	+5 VDC
12	NC	Not connected
13	NC	Not connected
14	NC	Not connected
15	SER_TRXC_A_L_CONN	Transmit clock
16	NC	Not connected
17	SER_RXC_A_L_CONN	Receive clock
18	NC	Not connected
19	NC	Not connected
20	SER_DTR_A_L_CONN	Data terminal ready
21	NC	Not connected
22	NC	Not connected
23	NC	Not connected
24	SER_TXC_A_L_CONN	Terminal clock
25	NC	Not connected

B.3 UltraSCSI Connector

The Ultra small computer system interface (UltraSCSI) connector (J2202) is located on the motherboard back panel.

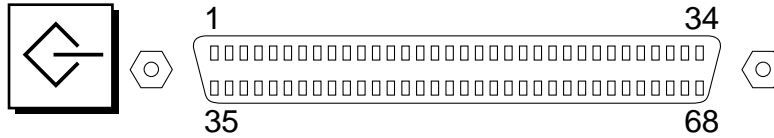


FIGURE B-8 UltraSCSI Connector Pin Configuration

TABLE B-9 UltraSCSI Connector Pin Assignments

Pin	Signal	Description
1	GND	Ground
2	GND	Ground
3	NC	Not connected
4	GND	Ground
5	GND	Ground
6	GND	Ground
7	GND	Ground
8	GND	Ground
9	GND	Ground
10	GND	Ground
11	GND	Ground
12	GND	Ground
13	GND	Ground
14	GND	Ground
15	GND	Ground
16	GND	Ground
17	TERMPower	Termpower
18	TERMPower	Termpower

TABLE B-9 UltraSCSI Connector Pin Assignments *(Continued)*

Pin	Signal	Description
19	NC	Not connected
20	GND	Ground
21	GND	Ground
22	GND	Ground
23	GND	Ground
24	GND	Ground
25	GND	Ground
26	GND	Ground
27	GND	Ground
28	GND	Ground
29	GND	Ground
30	GND	Ground
31	GND	Ground
32	GND	Ground
33	GND	Ground
34	GND	Ground
35	SCSI_B_DAT<12>	Data 12
36	SCSI_B_DAT<13>_	Data 13
37	SCSI_B_DAT<14>_	Data 14
38	SCSI_B_DAT<15>_	Data 15
39	SCSI_B_PAR<1>	Parity 1
40	SCSI_B_DAT<0>_	Data 0
41	SCSI_B_DAT<1>_	Data 1

TABLE B-9 UltraSCSI Connector Pin Assignments *(Continued)*

Pin	Signal	Description
42	SCSI_B_DAT<2>_	Data 2
43	SCSI_B_DAT<3>_	Data 3
44	SCSI_B_DAT<4>_	Data 4
45	SCSI_B_DAT<5>_	Data 5
46	SCSI_B_DAT<6>_	Data 6
47	SCSI_B_DAT<7>_	Data 7
48	SCSI_B_PAR<0>	Parity 0
49	GND	Ground
50	NC	Not connected
51	TERMPower_B	Terminal B power
52	TERMPower_B	Terminal B power
53	NC	Not connected
54	GND	Ground
55	SCSI_B_ATN_L	Attention
56	GND	Ground
57	SCSI_B-BSY_L	Busy
58	SCSI_B_ACK_L	Acknowledge
59	SCSI_B_RESET_L	Reset
60	SCSI_B_MSG_L	Message
61	SCSI_B_SEL_L	Select
62	SCSI_B-CD_L	Command
63	SCSI_B_REQ_L	Request
64	SCSI_B_IO_L	In/out

TABLE B-9 UltraSCSI Connector Pin Assignments *(Continued)*

Pin	Signal	Description
65	SCSI_B_DAT<8>_	Data 8
66	SCSI_B_DAT<9>_	Data 9
67	SCSI_B_DAT<10>_	Data 10
68	SCSI_B_DAT<11>_	Data 11

Note – _ (underscore) signifies active low.

B.4 Parallel Port Connector

The parallel port connector (J2202) is a DB-25 connector located on the motherboard back panel.

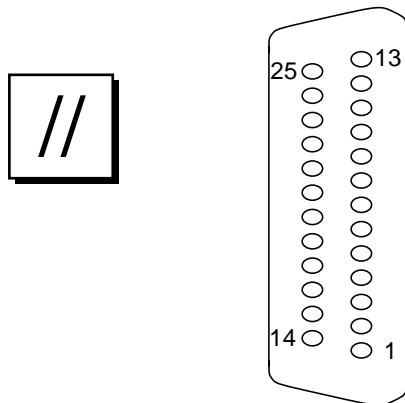


FIGURE B-9 Parallel Port Connector Pin Configuration

TABLE B-10 Parallel Port Connector Pin Assignments

Pin	Signal	Description
1	PAR_DS_L_CONN	Data strobe low
2 to 9	PP_DAT[0.7]_CONN	Data0 thru data7
10	PAR_ACK_L_CONN	Acknowledge low
11	PAR_BUSY_CONN	Busy
12	PAR_PE_CONN	Parity error
13	PAR_SELECT_L_CONN	Select low
14	PAR_AFXN_L_CONN	Auto feed low
15	PAR_ERROR_L_CONN	Error low
16	PAR_INIT_L_CONN	Initialize low
17	PAR_IN_L_CONN	Peripheral input low

TABLE B-10 Parallel Port Connector Pin Assignments *(Continued)*

Pin	Signal	Description
18	GND	Chassis ground
19	GND	Chassis ground
20	GND	Chassis ground
21	GND	Chassis ground
22	GND	Chassis ground
23	GND	Signal ground
24	GND	Signal ground
25	GND	Signal ground

B.5 Universal Serial Bus Connector

Two universal serial bus (USB) connectors (J3001, 3002) are located on the motherboard back panel.

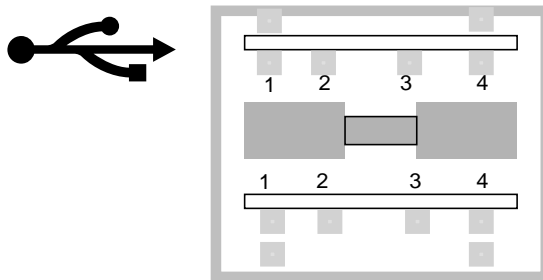


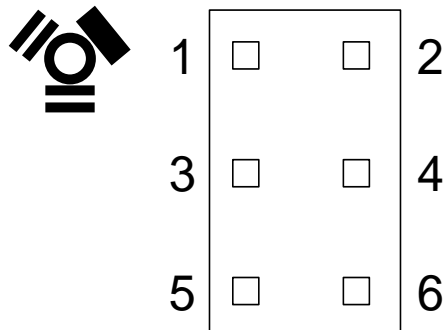
FIGURE B-10 USB Connector Pin Configuration

TABLE B-11 USB Connector Pin Assignments

Pin	Signal Name	Description
A1	USB0_VCC	+5 VDC
A2	CM_USB_D0_N	port0data_N
A3	CM_USB_D0_P	port0data_P
A4	GND	ground
B1	USB1_VCC	+5 VDC
B2	CM_USB_D1_N	port1data_N
B3	CM_USB_D1_P	port1data_P
B4	GND	ground

B.6 IEEE 1394 Connector

Two IEEE 1394 connectors (J3201, 3203) are located on the rear panel.

**FIGURE B-11** IEEE 1394 Connector Pin Configuration**TABLE B-12** IEEE 1394 Connector Pin Assignments

Pin	Signal Name	Description
1	P1394_EX_BUSPOWER	+12 VDC/33 VDC
2	GND	Ground
3	CM_P1394_TPB1_OUT_N	TPB1_Ndata -

TABLE B-12 IEEE 1394 Connector Pin Assignments (*Continued*)

Pin	Signal Name	Description
4	CM_P1394_TPBI_OUT_P	TPB1_Pdata +
5	CM_P1394_TPA1_OUT_N	TPA1_Ndata -
6	CM_P1394_TPA1_OUT_P	TPA2_Pdata +

B.7 Twisted-Pair Ethernet Connector

The twisted pair Ethernet (TPE) connector (J5301) is an RJ-45 connector located on the motherboard back panel.



Caution – Connect only TPE cables to the TPE connector.

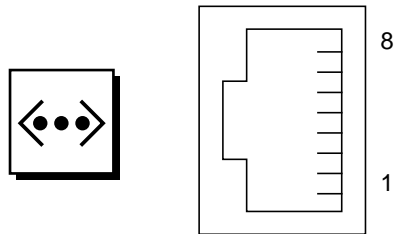


FIGURE B-12 TPE Connector Pin Configuration

TABLE B-13 TPE Connector Pin Assignments

Pin	Signal	Description
1	TX+	Transmit +
2	TX-	Transmit -
3	RX+	Receive +
4		
5		

TABLE B-13 TPE Connector Pin Assignments (*Continued*)

Pin	Signal	Description
6	RX-	Receive -
7		
8		

B.7.1 TPE Cable-Type Connectivity

The following types of TPE cables can be connected to the TPE connector.

- For 10BASE-T applications, unshielded twisted-pair (UTP) cable:
 - Category 3 (UTP-3, voice grade)
 - Category 4 (UTP-4)
 - Category 5 (UTP-5, data grade)
- For 100BASE-T applications, UTP cable, UTP-5, data grade

B.7.2 External UTP-5 Cable Lengths

The following table lists TPE UTP-5 types, applications, and maximum lengths.

TABLE B-14 TPE UTP-5 Cables

Cable Type	Application(s)	Maximum Length (Metric)	Maximum Length (U.S.)
UTP-5, "data grade"	10BASE-T or 100BASE-T	100 meters	109 yards

B.8 Audio Connectors

The audio connectors are located on the audio card. The connectors use EIA standard 3.5-mm/0.125-inch jacks.

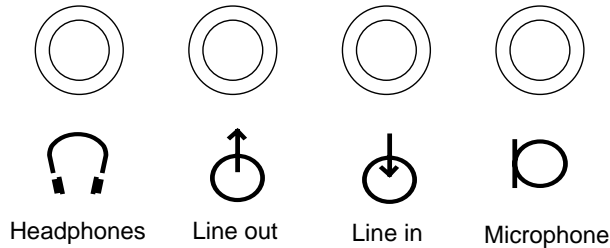


FIGURE B-13 Audio Connector Configuration

TABLE B-15 Audio Connector Line Assignment

Component	Headphones	Line Out	Line In	Microphone
Tip	Left channel	Left channel	Left channel	Left channel
Ring (center)	Right channel	Right channel	Right channel	Right channel
Shield	Ground	Ground	Ground	Ground

B.9 FC-AL Rear Panel Connector

The FC-AL connector, J2902, is located on the rear panel.

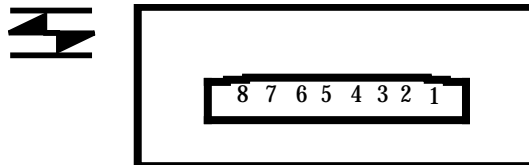


FIGURE B-14 FC-AL Connector Configuration

TABLE B-16 FC-AL Connector Pin Assignments

Pin	Signal	Description
1	T_CM_FC_TX_EX_P	Transmit data +
2	GND	ground
3	T_CM_FC_TX_EX_N	Transmit data -
4, 5	NC	
6	FC_RX_EX_N	Receive data -
7	GND	ground
8	FC_RX_EX_P	Receive data +

B.10 Graphics Card Connectors

The graphics card connector is located on the graphics card.

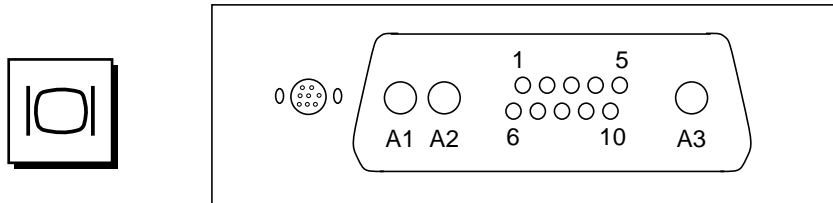


FIGURE B-15 Graphics Card Connector Pin Configuration

TABLE B-17 Graphics Card Connector Pin Assignments

Pin	Signal Name	Description
A1	R	Red
A2	G	Green
A3	B	Blue
1	Serial Read	Serial read

TABLE B-17 Graphics Card Connector Pin Assignments (*Continued*)

Pin	Signal Name	Description
2	Vert Sync	Vertical sync
3	Sense <0>	Sense <0>
4	GND	Ground
5	Comp Sync	Composite sync
6	Horiz Sync	Horizontal sync
7	Serial Write	Serial write
8	Sense <1>	Sense <1>
9	Sense <2>	Sense <2>
10	GND	Ground

B.11 Smart Card Reader Connector

The smart reader connector J3604 is located on the motherboard.

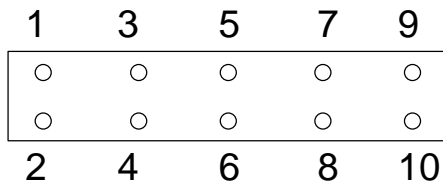


FIGURE B-16 Pin Assignments for Smart Card Reader Connector J3604

TABLE B-18 Pin Assignments for Smart Card Reader Connector J3604

Pin	Signal Name	Description
1	+12 VDC	+12VDC power
2	GND	Ground
3	GND	Ground
4	I2C_SCL	I2C bus clock
5	+5 VDC	+5 VDC power
6	I2C_SDA	I2C bus data
7	GND	Ground
8	GND	Ground
9	Int_L	
10	NC	No connection

B.12 Diskette Drive Connector

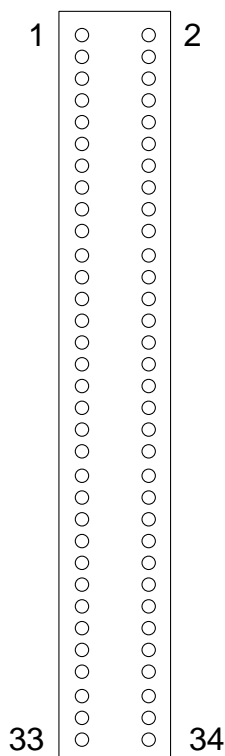


FIGURE B-17 Diskette Drive Connector J1801

TABLE B-19 Diskette Drive Connector, J1801, Signals and Functions

Pin	Signal Name	Function
1	FLOPPY_EJECT	NC
2	MODE_SELECT	When active low, MODE_SELECT sets the drive for a 1.2-Mbyte formatted disk. When active high, MODE_SELECT sets the drive for a 1.44-Mbyte formatted disk.
4	HIGH_DENSITY_IN_L	When active low, HIGH_DENSITY_IN_L indicates that a high-density disk is inserted into the drive.
8	INDEX	When active, INDEX indicates the beginning of each track. An active pulse is sent for each disk rotation.

TABLE B-19 Diskette Drive Connector, J1801, Signals and Functions *(Continued)*

Pin	Signal Name	Function
10, 12	DRIVE_SELECT	When set true, DRIVE_SELECT enables the drive to respond to other input signals.
16	MOTOR_ENABLE	When set low, MOTOR_ENABLE initiates the spindle motor rotation.
18	DIRECTION	When active high, DIRECTION indicates movement of the magnetic head assembly toward the outer cylinders. When active low, DIRECTION indicates movement of the magnetic head assembly toward the inner cylinders.
20	STEP	On the trailing edge, STEP moves the magnetic head in the direction specified by DIRECTION at a rate of one cylinder per pulse.
22	WRITE_DATA	WRITE_DATA supplies the disk drive with the data to be written to disk, provided the WRITE_GATE signal is active low.
24	WRITE_GATE	When active low, WRITE_GATE enables the drive write circuits. When active high, WRITE_GATE enables drive read circuits.
26	TRACK0	When active low, TRACK0 indicates that the track zero sensor has been activated and that the heads are over the outermost cylinder.
28	WRITE_PROTECT	When active low, WRITE_PROTECT indicates that the inserted diskette is write-protected and that drive write operations are disabled.
30	READ_DATA	When active, READ_DATA enables data from the disk to be transferred to the host through this signal line.

TABLE B-19 Diskette Drive Connector, J1801, Signals and Functions *(Continued)*

Pin	Signal Name	Function
32	HEAD_SELECT	When low, HEAD_SELECT selects head 1. When high, HEAD_SELECT selects head 0.
34	DISK_CHANGE	When low, DISK_CHANGE indicates that the drive tape medium has been changed. DISK_CHANGE is reset when a new disk is inserted and an enable signal is sent by the host.
5, 7, 9, 11, 13, 15, 17, 19, 21, 23, 25, 27, 29, 31, 33	GND	Ground

B.13 Internal SCSI Connector

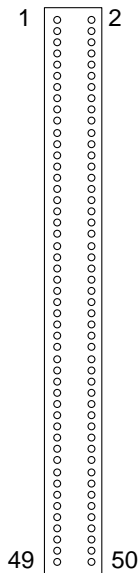


FIGURE B-18 Internal SCSI Connector J5002

TABLE B-20 Internal SCSI Connector J5002

Pin	Signal Name
1-19, 20-22, 24, 29-31, 33-35, 37, 39, 41, 43, 45, 47, 49	GND
2, 4, 6, 8, 10, 12, 14, 16	SCSI data bus
18	SCSI_A_PAR<0>
26	Termpowr_A
32	SCSI_A_ATN_L
36	SCSI_A_BSY_L
38	SCSI_A_ACK_L

TABLE B-20 Internal SCSI Connector J5002 (Continued)

Pin	Signal Name
40	SCSI_A_RESET_L
42	SCSI_A_MSG_L
44	SCSI_A_SEL_L
46	SCSI_A_CD_L
48	SCSI_A_REQ_L
50	SCSI_A_IO_L

B.14 Internal FC-AL Connector

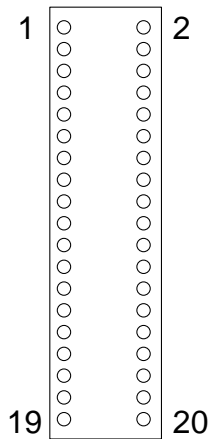


FIGURE B-19 Internal FC-AL Connector J2901

TABLE B-21 Internal FC-AL Connector J2901

Pin	Signal Name
1	Dr1_PB1_F_1
2	DR2PB2_F_1
3, 4, 7, 8, 11, 12, 15, 16, 19, 20	GND
5	T_DR2_PORT2IN_P
6	T_DR2_PORT2IN_N
9	DR2_PORT2OUT_P
10	DR2_PORT2OUT_N
13	T_DR1_PORT1IN_P
14	T_DR1_PORT1IN_N
17	DR1_PORT1OUT_P
18	DR1_PORT1OUT_N

B.15 Logo LED Connector

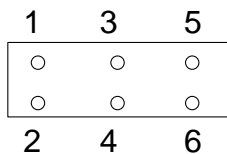
**FIGURE B-20** Logo LED Connector J3605

TABLE B-22 Logo LED Connector J3605

Pin	Signal Name
1	LED1 anode
2	LED3 cathode
3	LED2 cathode
4	LED3 anode
5	LED2 anode
6	LED1 cathode

Functional Description

This appendix provides functional descriptions for the following:

- Section C.1, “System” on page C-1
- Section C.2, “Power Supply” on page C-43
- Section C.3, “Motherboard” on page C-44
- Section C.4, “Jumper Descriptions” on page C-47
- Section C.5, “Enclosure” on page C-50
- Section C.6, “Power Management” on page C-51

C.1 System

This section is organized into the following subsections:

- Section C.1.1, “Workstation Overview” on page C-2
- Section C.1.2, “UltraSPARC III Central Processing Unit (CPU)” on page C-4
- Section C.1.3, “System Memory” on page C-9
- Section C.1.4, “I/O Subsystem” on page C-17
- Section C.1.7, “UPA” on page C-27
- Section C.1.8, “PCI Bus” on page C-27
- Section C.1.9, “Peripherals” on page C-29
- Section C.1.10, “Other Peripheral Assembly Options” on page C-31
- Section C.1.11, “Keyboard and Mouse” on page C-31
- Section C.1.12, “Diskette Drive and Parallel Ports” on page C-32
- Section C.1.13, “Serial Port” on page C-34
- Section C.1.14, “Ethernet” on page C-36
- Section C.1.15, “Audio Card and Connector” on page C-37
- Section C.1.16, “FC-AL Subsystem” on page C-39
- Section C.1.17, “SCSI” on page C-41
- Section C.1.18, “SuperI/O” on page C-42

C.1.1 Workstation Overview

Sun customers can purchase the Sun Blade 1000 and Sun Blade 2000 workstations as single or dual UltraSPARC III processor controlled desktop systems. The Sun Blade 1000 and Sun Blade 2000 workstations use shared-memory multiprocessor architecture with both processors installed on a single motherboard (See FIGURE C-1, a functional block diagram of the Sun Blade 1000 and Sun Blade 2000 workstations).

Each UltraSPARC III processor has a memory controller installed within the processor module. When two UltraSPARC III modules are installed on a Sun Blade 1000 or Sun Blade 2000 workstation, only the memory controller installed in CPU slot 0 is enabled.

The Sun Blade 1000 and Sun Blade 2000 I/O subsystems are designed around a system bus controller (SBC) ASIC, which is a bridge between the Sun CrossBar Interconnect address bus, the UPA64S, and the 33 and 66 MHz PCI buses. The UPA64S is used exclusively to exchange blocks of graphics information between the graphics card and the SBC ASIC.

Two PCI buses interface with the FC-AL controller and any other boards that are installed in the workstation's PCI slots. A 33 MHz PCI bus (PCI-B) supports SCSI controllers that interface with the internal DVD-ROM, or tape drives. A 66 MHz PCI bus (PCI-A or EPCI for extended PCI bus) supports the Fibre Channel-Arbitrated Loop (FC-AL) controller that interfaces with the hard drive.

The 33 MHz PCI-B I/O buses are supported by the Peripheral Component I/O-2 (PCIO-2) ASIC. This ASIC is an interface between the 33 MHz PCI bus, the IEEE 1394 port, external universal serial buses (USB), the 10/100 Mbit Ethernet ports, the boot PROM, and the EBus.

Note – EBus is a slow byte-wide bus for low-speed devices such as the serial port controller, the audio module, the SuperI/O controller (used primarily as diskette drive and parallel port interface), and the boot PROM.

A BootBus controller (BBC) ASIC is connected to both UltraSPARC III modules through a shared BootBus. The BBC ASIC bridges the BootBus to the EBus, to which slow I/O devices and the boot PROM are attached. The BBC ASIC incorporates an I2C bus interface and a JTAG master controller. The inter-integrated circuit (I2C) controller is used to identify the processor modules, the DIMMs, and for environmental control. The JTAG master controller is used for boundary testing on the system board, ASIC, and processor testing.

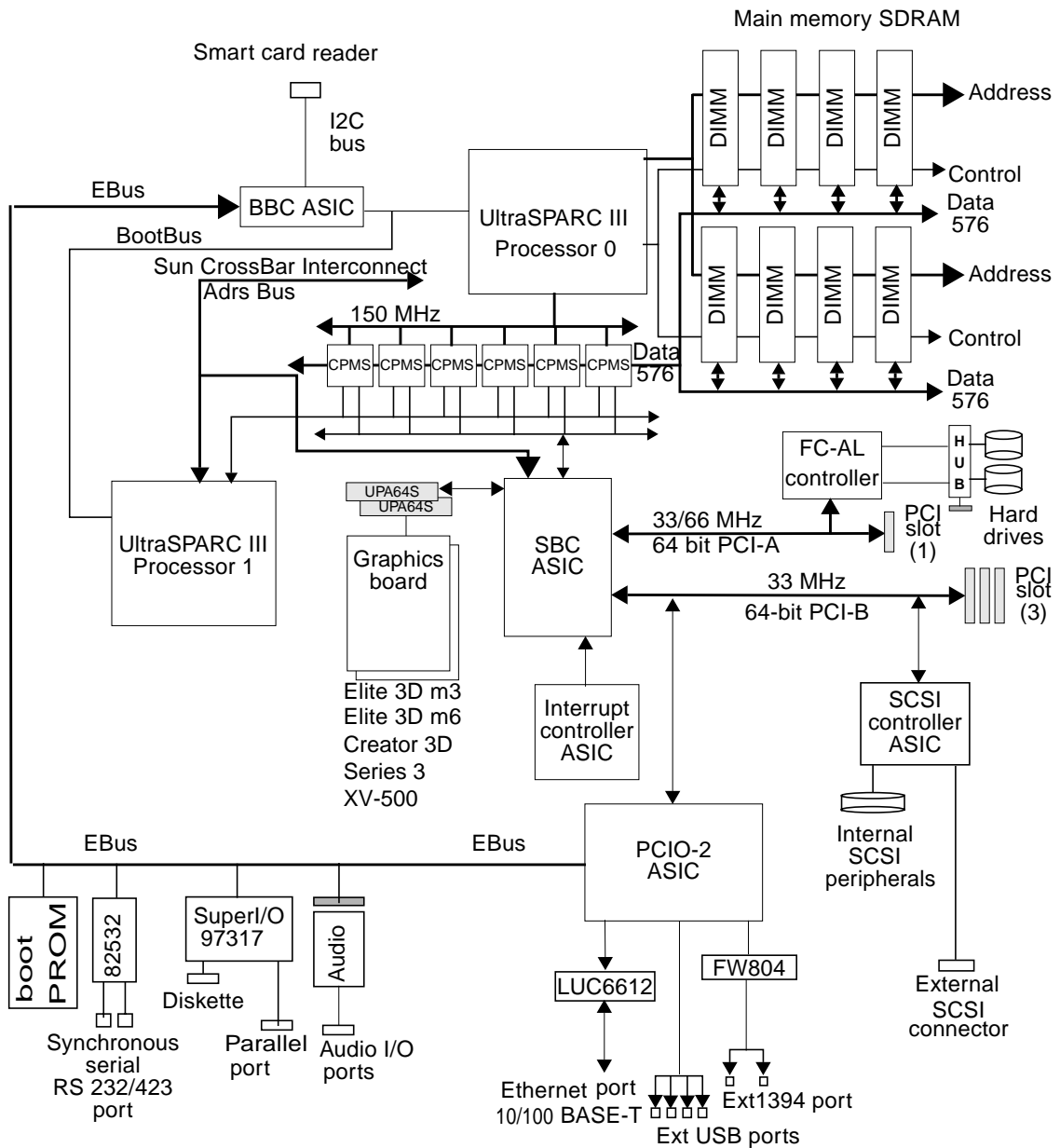


FIGURE C-1 Sun Blade 1000 and Sun Blade 2000 Functional Block Diagram

C.1.2 UltraSPARC III Central Processing Unit (CPU)

The UltraSPARC III CPU is high-performance, highly-integrated, superscalar processing module, that implements SPARC-V9, 64-bit, reduced instruction set computer (RISC) architecture. The CPU module has been updated and improved to further advance reliability, availability, scalability, and serviceability features of the UltraSPARC III CPU module.

Note – There are now two groups of UltraSPARC III CPU modules. The UltraSPARC III 600, 750, or 900 MHz CPU modules and the UltraSPARC III Cu CPU modules.

The workstation's motherboard provides slots for two UltraSPARC III CPU modules. Each processor module includes one CPU chip with integrated cache memory for data and instructions, as well as up to 8 Mbytes of external static random access memory (SRAM) cache memory.

The CPU modules communicate with the system's main memory and I/O subsystem through the system's high-speed data bus. The system CPU modules are automatically synchronized with the system bus that runs at clock speeds up to 150 MHz.

The CPU is physically mounted on a module that plugs vertically into the system motherboard. The module contains the processor and eight external cache SRAMs, available either as 4-Mbyte (8 x 4-Mbit) SRAMs or as 8 Mbyte (8 x 8 Mbit) SRAMs.

The module also includes a DC-to-DC converter to limit the current density in the connector at the male/female interface to provide better power regulation at the pins of the processor.

*Sun CrossBar Interconnect

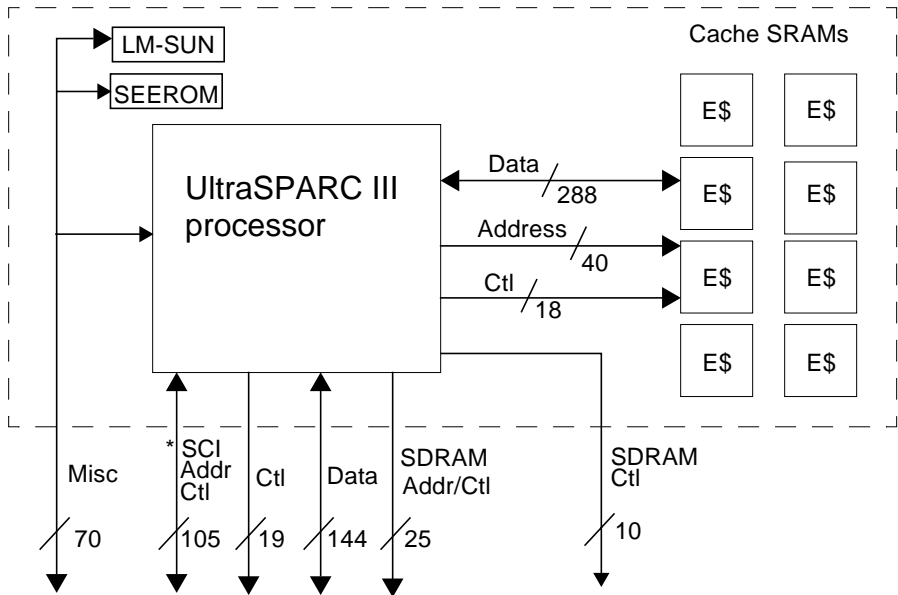


FIGURE C-2 UltraSPARC III Processor Functional Block Diagram

The base CPU module frequency is 600 MHz. The Sun Blade 2000 also supports faster processor speeds up to 1050 MHz.

Each CPU module plugs vertically into the motherboard through a set of two connectors. Each module is equipped with a mechanical insertion/extraction mechanism.

The processors are interconnected through the Sun CrossBar Interconnect bus but, the CPU module(s) only support the Sun CrossBar Interconnect address and command signals. The Sun CrossBar Interconnect address and control signals along with the data signals and the switch control signals, are routed through the module connectors.

The UltraSPARC III processors directly support the main memory SDRAM. The memory controller is on the same die as the processor. The address and control signals for the SDRAM chips originate at the CPU chip pins and are routed to the motherboard through the module connectors.

The CPU module(s) contain serial EEPROMs for self-identification at boot time. The SEEPROM is interfaced through the I2C bus and provides the version of the CPU module, the size and speed of the external cache, the maximum internal frequency of the processor, and other operating parameters.

Thermal management relies on high air flow and a large heat sink radiation area to maintain uniform temperature control for each CPU module. The temperature of the CPU modules are monitored to avoid any destructive effect in case of fan failure.

The CPU die contains a temperature sensing diode that is connected to a temperature controller located off of the die. This temperature controller performs the analog-to-digital temperature conversion and is interfaced through the I2C serial bus.

C.1.2.1 Configuration Rules

The following configuration rules apply to the Sun Blade 1000 and Sun Blade 2000 workstations:

- You can install one or two UltraSPARC III CPU modules into the workstation motherboard.
- If you wish to install more than one UltraSPARC III 600, 750, or 900 MHz CPU module on a Sun Blade 1000, you can. The speed of the modules does not need to be identical.
- If you wish to install more than one UltraSPARC III Cu CPU module on a Sun Blade 2000, you can. However, the speed of the modules must be identical.

Note – Never mix UltraSPARC III 600, 750, or 900 MHz CPU modules with UltraSPARC III Cu CPU modules. If the modules are mixed, the workstation will not boot.

- Always insert the first CPU module into CPU slot 0 (connectors J0501 and J0601).
- If a second CPU module is to be installed, install the second CPU module into CPU slot 1 (connectors J0701 and J0801).

C.1.2.2 System Requirements for the UltraSPARC III 600 MHz CPU Module

If you are replacing or installing a 600 MHz UltraSPARC III CPU module, you will need to install software patches 109888-10*, 110460-09*, 108528-10*, and OpenBoot PROM firmware upgrade patch 111292-04*.

The software patches and the OpenBoot PROM firmware upgrade patch can be obtained from the Sun web site at:

<http://www.sun.com/sunsolve/>

Note – Always check the Sun web site for the latest compatible operating environment, firmware, and software updates for your workstation.

Before installing the 600 MHz UltraSPARC III CPU module, verify that:

- Solaris 8 10/00* is installed on your system. Solaris 8 10/00 is the first version of software that supports the Sun Blade 1000, UltraSPARC III, 600 MHz CPU module.
- Software patches: 109888-10*, 110460-09*, and 108528-10* are installed on your system.
- OpenBoot PROM firmware v4.2.2 or later is installed on your system. This is OpenBoot PROM firmware upgrade 111292-04. OpenBoot PROM firmware v4.2.2 is the first version of firmware that supports software patches 109888-10, 110460-09, and 108528-10.

If necessary, upgrade your system's software and firmware to the versions described above.

C.1.2.3 System Requirements for the UltraSPARC III 750 MHz CPU Module

If you are replacing or installing a 750 MHz UltraSPARC III CPU module you need to install software patches 109888-10*, 110460-09*, 108528-10*, and OpenBoot PROM firmware upgrade patch 111292-04 or later.

The software patches and the OpenBoot PROM firmware upgrade patch can be obtained from the Sun web site at:

<http://www.sun.com/sunsolve/>

Note – Always check the Sun web site for the latest compatible operating environment, firmware, and software updates for your workstation.

Before installing the 750 MHz UltraSPARC III CPU module, verify that:

- Solaris 8 10/00 is installed on your system. Solaris 8 10/00 is the first version of software that supports the Sun Blade 1000, UltraSPARC III, 750 MHz CPU module.
- Software patches: 109888-10*, 110460-09*, and 108528-10* are installed on your system.
- OpenBoot PROM firmware v4.2.2 or later is installed on your system. This is OpenBoot PROM firmware upgrade 111292-04. OpenBoot PROM firmware v4.2.2 is the first version of firmware that supports software patches 109888-10, 110460-09, and 108528-10.

If necessary, upgrade your system's software and firmware to the versions described above.

C.1.2.4 System Requirements for the UltraSPARC III 900 MHz CPU Module

Note – The 900 MHz version of the UltraSPARC III CPU module is only available as an option on the Sun Blade 1000 workstation.

If you are replacing or installing an existing 600 or 750 MHz UltraSPARC III CPU module with a 900 MHz UltraSPARC III CPU module you need to install software patches 109888-10*, 110460-09*, 108528-10*, and OpenBoot PROM firmware upgrade patch 111292-04. Both software patches and the OpenBoot PROM firmware upgrade patch can be obtained from the Sun web site at:

<http://www.sun.com/sunsolve/>

Note – Always check the Sun web site for the latest compatible operating environment, firmware, and software updates for your workstation.

Before installing the 900 MHz UltraSPARC III CPU module, verify that:

- Solaris 8 10/00 or later is installed on your system. Solaris 8 10/00 is the first version of software that supports the Sun Blade 1000, 900 MHz CPU module.
- Software patches 109888-10 or later, 110460-09 or later, and 108528-10 or later are installed on your system.
- OpenBoot PROM firmware v4.2.2 or later installed is on your system. This is OpenBoot PROM firmware upgrade patch 111292-04. OpenBoot PROM firmware v4.2.2 is the first version of firmware that supports software patches 109888-10, 110460-09, and 108528-10.

If necessary, upgrade your system's software and firmware to the versions described above before beginning the installation procedure for the 900 MHz UltraSPARC III CPU module.

Note – Never mix UltraSPARC III 600, 750, or 900 MHz CPU modules with UltraSPARC III Cu CPU modules. If the modules are mixed, the workstation will not boot.

C.1.2.5 System Requirements for the UltraSPARC III Cu CPU Module

If you are installing an UltraSPARC III Cu CPU module (501-6002) you may need to upgrade your workstation's OpenBoot PROM firmware and the Solaris operating environment supporting the workstation.

The OpenBoot PROM firmware upgrade patch and the Solaris operating environment update can be obtained from the Sun web site at:

<http://www.sun.com/sunsolve/>

Note – Always check the Sun web site for the latest compatible operating environment, firmware, and software updates.

Before installing an UltraSPARC III Cu CPU module, verify that:

- Solaris 8 10/01 is installed on your system. This is the first version of software that supports the UltraSPARC III Cu CPU module.
- OpenBoot PROM firmware v4.4.4* or later installed is on your system. The firmware patch number for OpenBoot PROM v4.4.4 is 111292-05*. OpenBoot PROM firmware v4.4.4 is the first version of firmware that supports the UltraSPARC III Cu CPU module.

If necessary, upgrade your workstation's firmware and software to the versions described above before beginning the installation procedure for the UltraSPARC III Cu CPU module.

Note – Never mix UltraSPARC III 600, 750, or 900 MHz CPU modules with UltraSPARC III Cu CPU modules. If the modules are mixed, the workstation will not boot.

C.1.3 System Memory

C.1.3.1 Organization

As shown on FIGURE C-1, direct access to the system memory is controlled only by one of the two CPU modules in a multiprocessor environment. Memory is accessed from UltraSPARC processor 0 through the Sun CrossBar Interconnect bus.

The main memory data bus is 576 bits wide which corresponds to an external cache block of 64 bytes. The systems main memory delivers an entire block of information on external cache in a single memory bus cycle. This delivery method provides up to 2.4 GBps of sustainable bandwidth.

The main memory is implemented with x144 DIMMs, also referred to as NG-DIMMs (next generation dual-in line memory modules). The system supports up to eight installed NG-DIMMs.

Note – The memory bus is clocked at half the system frequency through a clock connected directly to the CPU module.

The DIMMs also support a SEEPROM for identifying and configuring subsystem memory.

The CPU module memory controller performs reads and writes in blocks of 64 bytes. On noncacheable reads the extraneous data is dropped. On noncacheable write, the processor must perform a read-modify-write. The memory space is cached.

The memory subsystem supports logical interleaving by 1 (no interleaving), 2, and 4. The unit of interleaving is a logical bank. A group of four DIMMs corresponds to two logical banks for interleaving purposes. The interleaving is based on multiples of 64 bytes. Main memory interleaving is described in more details in Section C.1.3.5, “System Memory Interleaving” on page C-14.

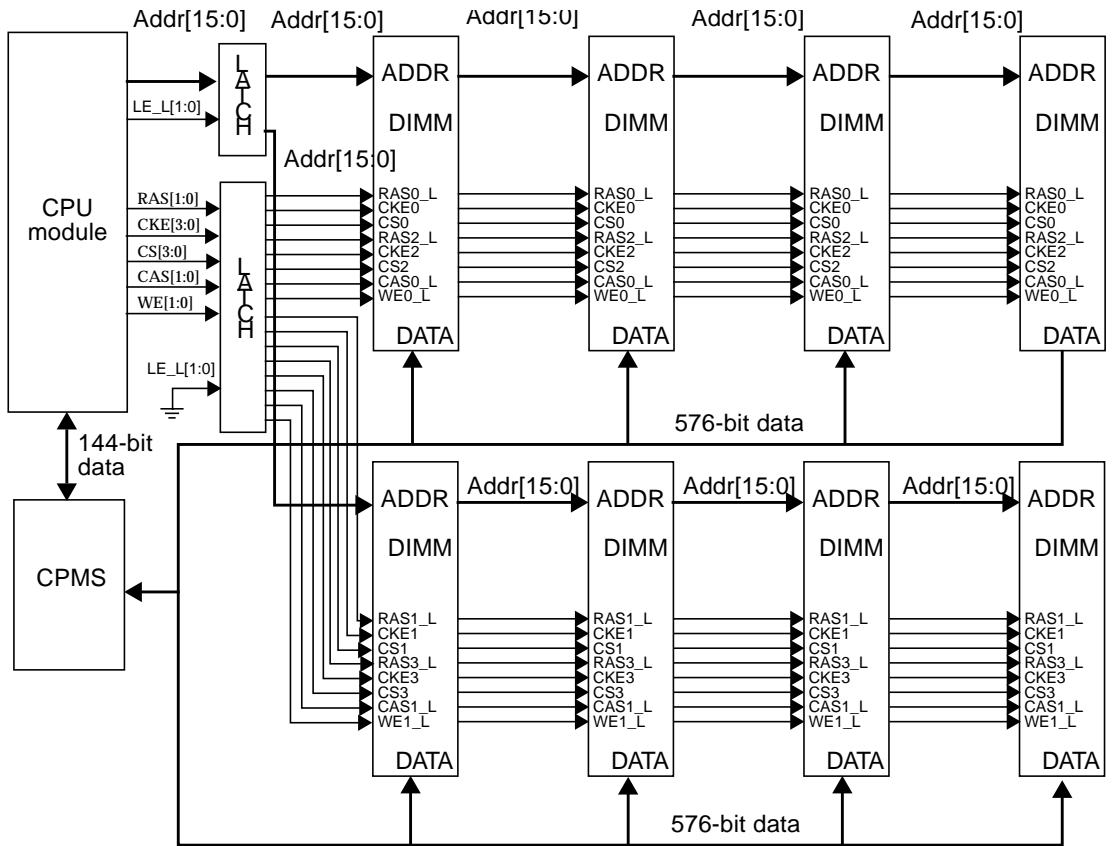


FIGURE C-3 Main Memory Functional Block Diagram

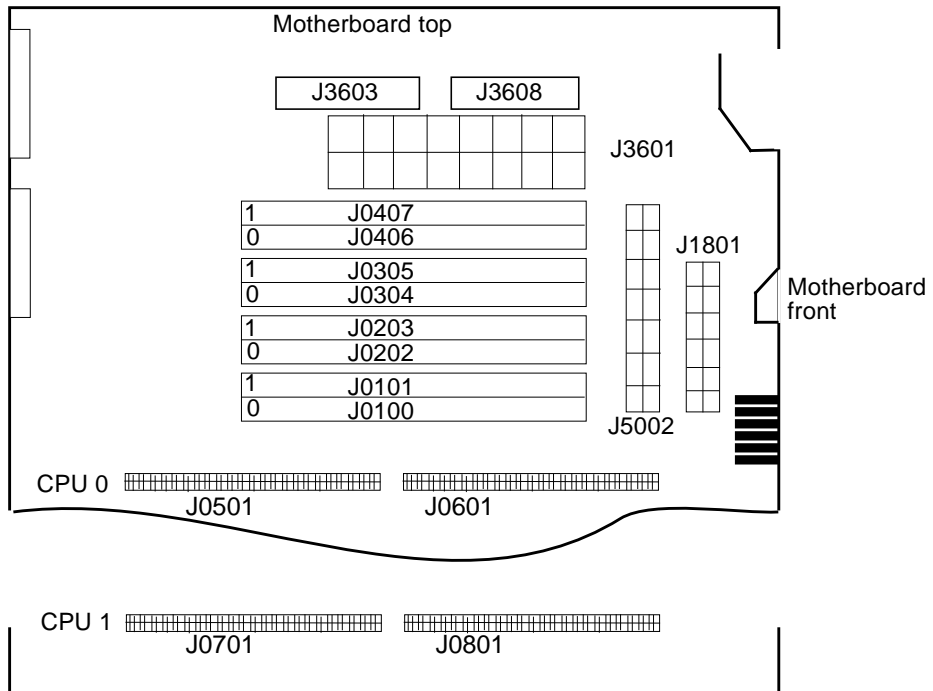


FIGURE C-4 DIMM Mapping

C.1.3.2 Memory Configuration

The following table describes various DIMMs supported by the system memory controller.

TABLE C-1 DIMMs Committed

DIMM Size	SDRAM device	Number of Logical Banks	Number of Devices	Group Size /Minimum Memory
128 Mbyte	64 Mbit (4 Mbyte x 16)	2	18	512 Mbyte
256 Mbyte	256 Mbit (16 Mbyte x 16)	2	18	1 Gbyte
1024 Mbyte	256 Mbit (2x 16 Mbyte x 8)	2	36 (stacked technology)	4 Gbyte

Main memory is populated with one or two groups of DIMMs. The following table lists the possible memory configurations.

Note – The banks in the following table are logical banks for interleaving purposes.

TABLE C-2 Memory Sizes Supported

First Group	No Second Group	Second Group: 512 Mbyte	Second Group: 1 Gbyte	Second Group: 4 Gbyte
512 Mbyte	512 Mbyte, 2 banks	1 GB, 4 banks	1.5 GB, 2banks	4.5 GB, 2 banks
1 GB	1GB, 2 banks	1.5 GB, 2 banks	4 GB, 4 banks	5 GB, 2 banks
4 GB	4 GB, 2 banks	4 GB, 2 banks	5 GB, 2 banks	8 GB, 4 banks

C.1.3.3 Memory Modules

The workstation motherboard provides eight slots for high-capacity dual in-line memory modules (DIMMs). These DIMMs are divided into two groups of four DIMMs each that may be subdivided again into four logical banks. For the DIMM bank organization and numbering scheme, see TABLE C-3.

The workstation supports Sun-standard 200-pin, 3.3-volt, 60-nanosecond memory modules. Modules of 128-, 256-, 512-, or 1024-Mbyte capacity can be installed in the system. Total main memory capacity is expandable up to 8 Gbytes.



Caution – Memory modules are delicate. Ensure that you take appropriate precautions to avoid damaging them through electrostatic discharge. The memory modules must be replaced or installed by a qualified service provider. For information about removing and installing DIMMs, see Section 8.6, “DIMM” on page 8-30.

C.1.3.4 Memory Module Configuration Rules

The following memory module configuration rules apply to your workstation:

- At least one memory group consisting of 4 slots (slots J0101, J0203, J0305, and J0407 or slots J0100, J0202, J0304, and J0406) must be filled for the system to boot.
- All DIMMs in a group must be of the same type.

Note – DIMM capacities can differ from one group to the next. For example, four 128-Mbyte DIMMs can be installed in group 0 and four 256-Mbyte DIMMs can be installed in group 1, but workstation performance may be impacted (see “System Memory Interleaving” below).



Caution – DIMMs are made of electronic components that are extremely sensitive to static electricity. Static from your clothes or work environment can destroy the modules. Do not remove any DIMM from its antistatic packaging until you are ready to install it on the system board. Handle the modules only by their edges. Do not touch the components or any metal parts. Always wear a grounding strap when you handle the modules.

C.1.3.5 System Memory Interleaving

System memory supports interleaving on 64-byte boundaries. The Sun Blade 1000 and Sun Blade 2000 system supports from one to four logical banks. For interleaving purposes, all banks are treated identically regardless of their physical location. Two successive accesses to distinct logical banks located in the same group of DIMMs are processed the same as accesses to logical banks that are in separate groups of DIMMs.

The memory controller for the Sun Blade 1000 and Sun Blade 2000 workstation supports one way, 2-way and 4-way interleaving.

System memory is accessed only on 64-byte block reads or writes. The interleaving is based on a 64-byte addressing and the four low-order bits of a block physical address (PA[9:6]) determines the bank within a memory segment. The stride on which banks are interleaved is 64 bytes (no interleaving), 128 bytes (2-way interleaving), 256 bytes (4-way interleaving).

In only one configuration is it possible to interleave by four. To interleave by four all groups must be populated with DIMMs of the same size.

CPU processing rate is slowed by memory module response time, and limited by the word size (64 bytes) of its read or write requests. The word size of these read/write requests are referred to as the processing stride.

System memory interleaving is a technique to increase CPU throughput by splitting the system memory into independent banks that answer CPU read or write requests independently and in parallel.

The group addresses for the Sun Blade 1000 and Sun Blade 2000 are listed in the following table.

TABLE C-3 System Memory Interleaving

Group	Physical Address	Bank
1	J0407	1
0	J0406	0
1	J0305	1
0	J0304	0
1	J0203	3
0	J0202	2
1	J0101	3
0	J0100	2

Note – Logical banks are created in the DIMM.

For interleaving purposes, all banks are treated identically regardless of their physical location.

For maximum interleaving performance, install DIMMs of identical capacity in all four banks.

The following figure illustrates the possible system interleaving configurations for the Sun Blade 1000 workstation. In only one configuration is it possible to interleave by four. Both groups must be populated with DIMMs of the same size in all four banks.

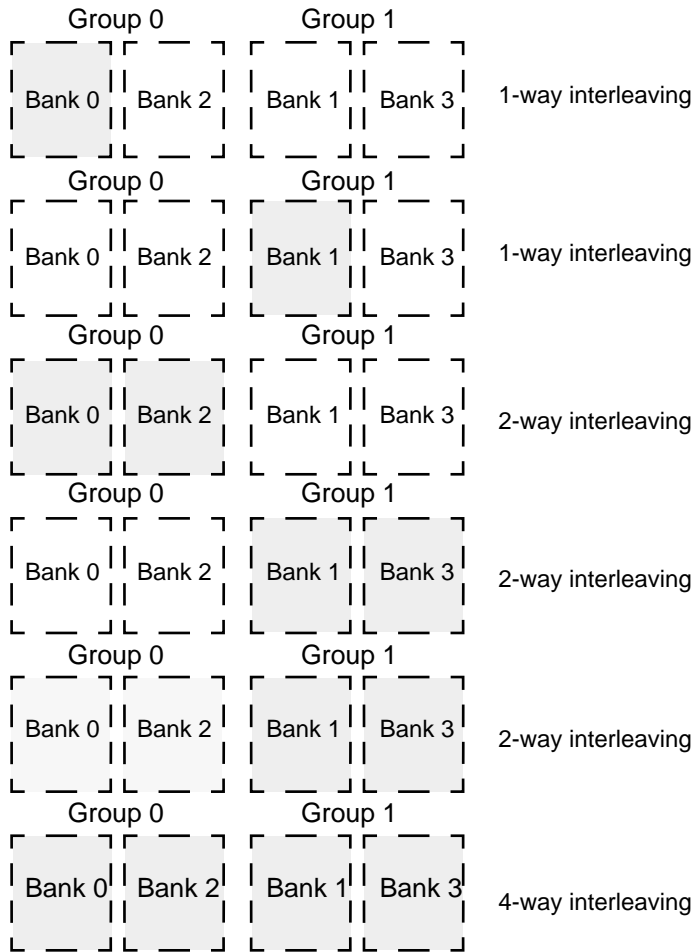


FIGURE C-5 One, Two, and Four Way Interleaving

C.1.3.6 Memory Timing

The CPU module memory controller is programmable so that different SDRAM speeds can be accommodated at different system clock frequencies and different processor clock ratios. The memory bus timing is controlled by a set of four memory timing control registers.

Memory Timing Values

The timing values for a given configuration depend on the following factors:

- **Speed of the SDRAM**

The frequency of the SDRAM chip is indicated in the serial ID EEPROM on each DIMM. When two groups of 4 DIMMs are present, the SDRAM speed is considered the speed of the slowest SDRAM chip in the group.

- **DIMM implementation**

The implementation of the DIMM influences the timing parameters, in the same way that the traces on the DIMM board define the memory bus topology. The DIMM also supports a buffer for the address and control signals. The serial ID PROM identifies the DIMM and by default defines a given implementation.

- **System clock frequency (Sun CrossBar Interconnect frequency)**

The memory bus clock generated by the CPU module is half the system clock frequency. The timing parameters are relative to this clock.

- **System implementation**

The memory subsystem implementation also defines the timing parameters. The term “implementation” refers to the motherboard and all the chips that are part of the memory bus. A given implementation of a Sun Blade 1000 or Sun Blade 2000 system defines a set of timing parameters.

- **Processor clock ratio**

The UltraSPARC III module is running at the clock speed which is a multiple x4, x5, or x6, of the system clock. Timing parameters are defined in terms of processor clocks, which means the processor frequency must be adjusted before programming the memory timing control registers.

C.1.4 I/O Subsystem

The I/O subsystem is designed around two bridge ASICs: SBC and PCIO-2. SBC is the bridge between the Sun CrossBar Interconnect bus, the UPA64S, and the two PCI buses. PCIO-2 is the bridge between the 33MHz PCI bus and USB, IEEE 1394, 10/100-Mbit Ethernet, and EBus.

C.1.4.1 SBC ASIC

The SBC ASIC supports the full Sun CrossBar Interconnect protocol. The CPU module interface to the 288-bit Sun CrossBar Interconnect data bus is through a 144-bit private data bus at 150 MHz for a maximum bandwidth of 2.4 Gbyte/sec.

SBC is composed of a Sun CrossBar Interconnect interface block and three leaf blocks:

- PCI A leaf block
- PCI B leaf block
- UPA64S leaf block

The following figure depicts the microarchitecture of the SBC ASIC:

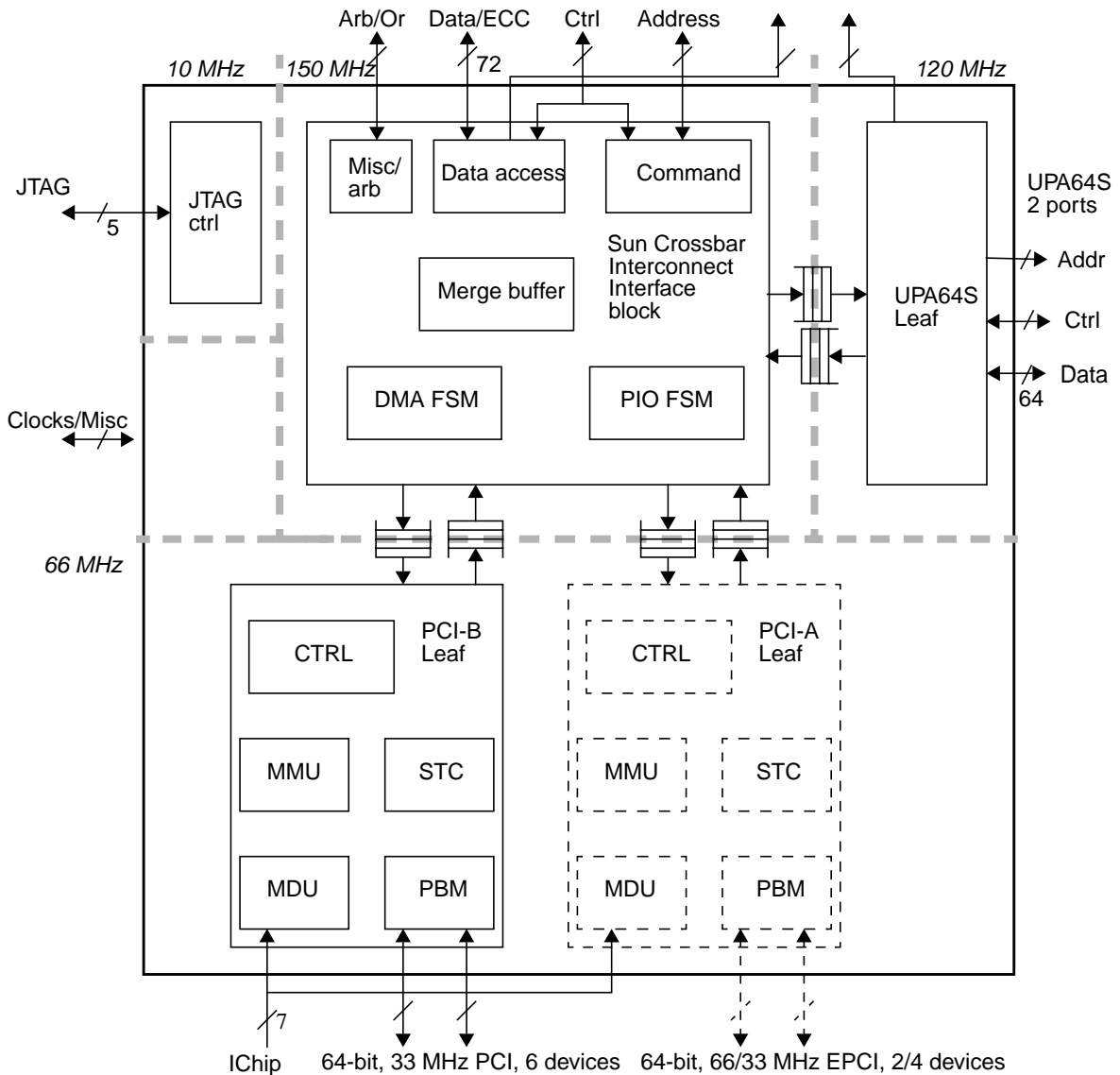


FIGURE C-6 SBC Block Diagram

The internal interface between the Sun CrossBar Interconnect interface block and the leaf blocks is fully asynchronous. This allows the frequency of Sun CrossBar Interconnect and UPA64S to be tuned according to the limitations of the system. There is no relative frequency limitation, and the frequency of a leaf can be higher than the Sun CrossBar Interconnect frequency.

UPA64S Leaf Block

The UPA64S leaf supports a slave-only UPA (UltraSPARC Port Architecture) bus segment that supports two slave graphics devices. The SBC receives PIOs (programmed I/Os) from the Sun CrossBar Interconnect and issues them onto the UPA64S bus. The data is routed from the CPMS to the Sun CrossBar Interconnect interface block, and finally to the UPA64S bus through the UPA leaf.

The UPA64S leaf is designed to sustain a stream of write PIOs at 120 MHz. This translates to a sustained bandwidth of 800 MByte/sec.

The Sun Blade 1000 and Sun Blade 2000 workstations support a separate clock synthesizer for the UPA64S bus, which is clocked at 120 MHz. See Section C.1.7, “UPA” on page C-27 for details.

EPCI A Leaf Block

The extended PCI (EPCI) is the 64-bit, 66 MHz PCI. The PCI A leaf is the host controller for the EPCI. It supports 3.3 V signalling only.

The PCI A leaf can support four master devices. The Sun Blade 1000 and Sun Blade 2000 workstation only includes only two master devices: the EPCI slot and the FC-AL disk controller.

The microarchitecture of both PCI leaves is almost identical. The PCI A leaf also supports the logic blocks mentioned above to comply with the Sun4u/Sun5 architecture.

The EPCI high-bandwidth pluggable I/O interface sustains up to 500 MBps in streaming DVMA mode. See Section C.1.8, “PCI Bus” on page C-27 for details.

PCI B Leaf Block

The term *PCI* refers to the 33 MHz PCI bus (PCI specification revision 2.1). The PCI B leaf is the host controller for the 64-bit wide/33 MHz PCI bus. It supports both 5 V and 3.3 V signalling, and 32-bit devices.

The PCI B leaf supports six master devices. The Sun Blade 1000 and Sun Blade 2000 workstations include the following five devices: PCIO-2, three slots, and the 876 SCSI controller.

C.1.4.2 PCIO-2

The PCIO-2 contains a multi-function PCI interface and four leaves for each of the supported interfaces: Ethernet (10/100 Mbit), USB, IEEE 1394, and EBus. The figure below is a block diagram of the PCIO-2 ASIC:

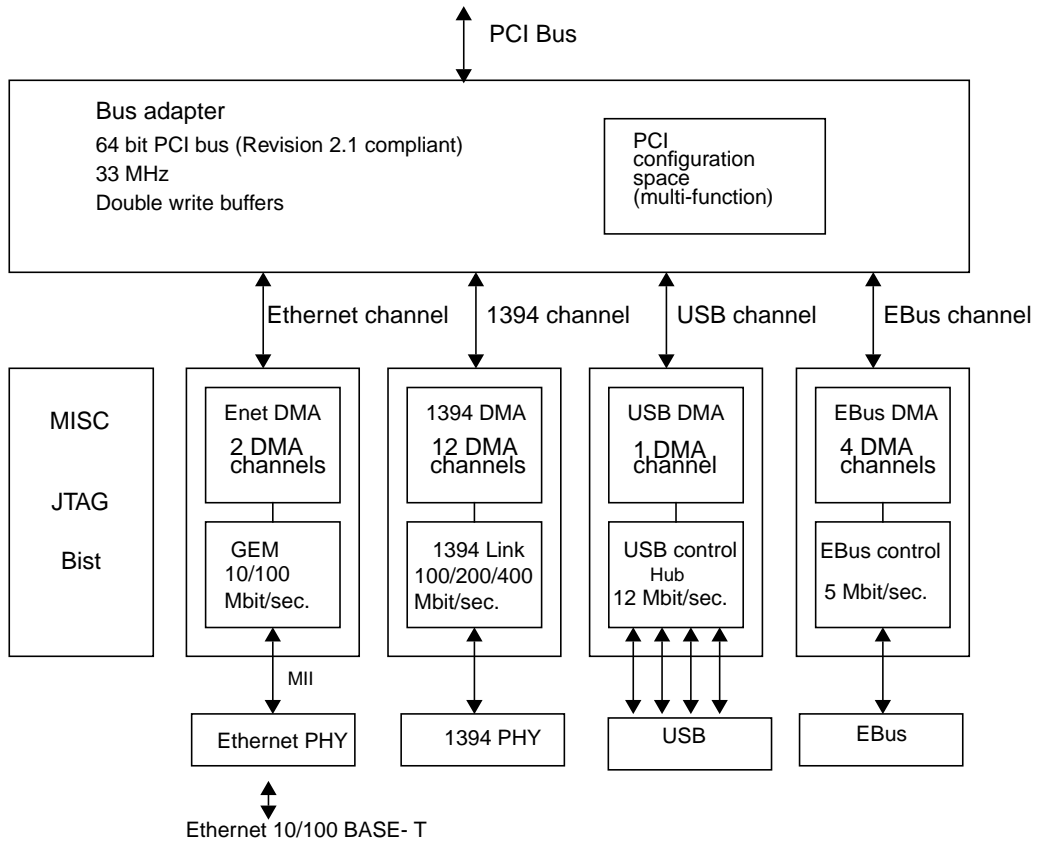


FIGURE C-7 PCIO-2 Block Diagram

PCI Interface

The PCI-B interface is 64-bit wide at 33 MHz. It supports slave (for PIO) and master (for DMA) transactions on the PCI bus. Master transactions use 256-byte burst transfers.

Note – The byte burst rate is programmable and can vary.

The PCIO-2 is a multi-function PCI device as defined by the PCI specification, and it supports a separate configuration space for each of the 4 interfaces. See Section C.1.8, “PCI Bus” on page C-27 for details.

Ethernet Leaf

The Ethernet interface supports two DMA channels for full duplex. the PCIO-2 Ethernet interfaces through PHY 6612 and COMBO magnetics and RJ45 connector. See Section C.1.14, “Ethernet” on page C-36 for details.

USB Leaf

USB (Universal Serial Bus) is a standard defined for the PC industry that provides connectivity to low-cost, low-bandwidth peripherals.

USB defines a tree topology through hub devices although logically it behaves as a bus. The USB standard defines two data transfer rates: 1.5 and 12 Mbit/sec. USB supports live connect and disconnect of devices (hot-plugging).

The PCIO-2 USB channel engine has a single DMA engine with 1K bit of internal buffering. The DMA engine is the USB host controller and a hub with 4 ports. As a host controller it manages control flow, data flow and connections. The PCIO-2 USB host controller programming model is Open HCI compatible.

The Sun Blade 1000 and Sun Blade 2000 workstations use USB connectors to interface to the Sun Type-6 USB keyboard and mouse. The Type-6 USB keyboard does not include a hub. The mouse is also connected directly to a backpanel USB connector.

IEEE 1394 Leaf

IEEE 1394 is a high-performance serial bus designed for real-time data transfers supporting an isochronous transfer mode. In this mode, bandwidth is guaranteed through pre-assignment.

In the Sun Blade 1000 and Sun Blade 2000 workstations, IEEE 1394 is used as the interface for multimedia devices like digital cameras, digital video recorders, digital video/versatile disks (DVD).

IEEE 1394 is a very flexible interconnect that supports multi-master, live connect/disconnect, and dynamic node allocation. IEEE 1394 is based on a memory type addressing (geographical addressing) with each node also acts as a repeater. IEEE 1394 is an IEEE standard. The IEEE 1394 trade association web site is

<http://www.1394ta.org/index.htm>.

The PCIO-2 IEEE 1394 interface supports 100, 200, and 400 Mbps transfers. The IEEE 1394 block contains six DMA engines; four for isochronous transfers, and two for asynchronous transfers. The engine implements the industry standard Descriptor Based DMA Architecture (Open HCI). the PCIO-2 also implements the link layer and it interfaces directly to a PHY chip.

The Sun Blade 1000 and Sun Blade 2000 workstations use a PHY with four ports. Two of the ports are used by the workstation. There are two IEEE 1394 connectors on the back panel.

C.1.4.3 EBus Leaf

EBus is a byte-wide I/O bus that provides the ability to interface to instruction set architecture devices. In a Sun Blade 1000 and Sun Blade 2000 workstation there are five devices on this bus: the boot PROM (Flash memory), the audio module, the serial line controller, the SuperI/O chip, and the I2C controller.

The TOD clock function is implemented by the real time clock inside the SuperI/O ASIC. The nonvolatile RAM is implemented by a I2C serial EEPROM and part of the boot PROM.

The EBus channel engine also supports four DMA controllers with programmable transfer size and chained and unchained mode. Only two devices support slave DMA transfers on EBus: SuperI/O for the floppy disk interface (single DMA engine) and the parallel port (single DMA engine), and the audio CODEC for audio playback and capture (two DMA engines).

C.1.5 Interrupts

The interrupt model used in the Sun Blade 1000 and Sun Blade 2000 workstation uses the Sun4u/Sun5 architecture. Interrupts are delivered to the processor(s) as Mondo vectors. The CPU receives interrupt packets that are issued over the Sun CrossBar Interconnect bus. The processors can issue interrupts to each other (called cross-calls). They are issued by SBC for I/O interrupts. All interrupts that are not cross-called are referred to as I/O interrupts.

I/O interrupts are issued on separate lines by the various on-board devices, the PCI cards, and UPA cards. The interrupts are routed to an interrupt concentrator: the I-chip that encodes the interrupts and delivers them to the SBC. The SBC issues a single Sun CrossBar Interconnect interrupt transaction for each active interrupt.

The following diagram depicts the overall interrupt organization in the Sun Blade 1000 and Sun Blade 2000 workstation:

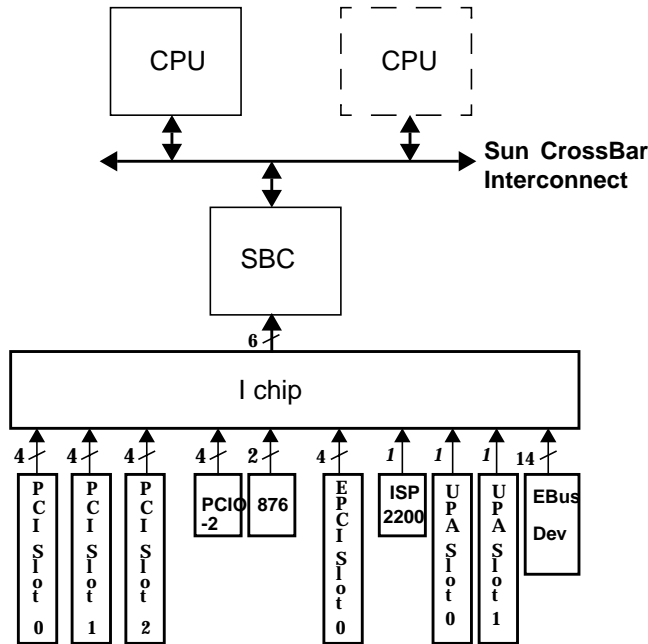


FIGURE C-8 Sun Blade 1000 and Sun Blade 2000 Interrupt Block Diagram

C.1.6 BootBus

The CPU module supports an alternate 8-bit bus (the BootBus) used after a reset to fetch the first instruction they execute.

The address space of the BootBus corresponds to the boot PROM addressing space as defined by the Sun4u/Sun5 architecture. The CPU issues its SPARC V9 RED_MODE trap vectors from this address space.

The following block diagram shows how the CPUs access the boot PROM through the BootBus, the BBC, and EBus:

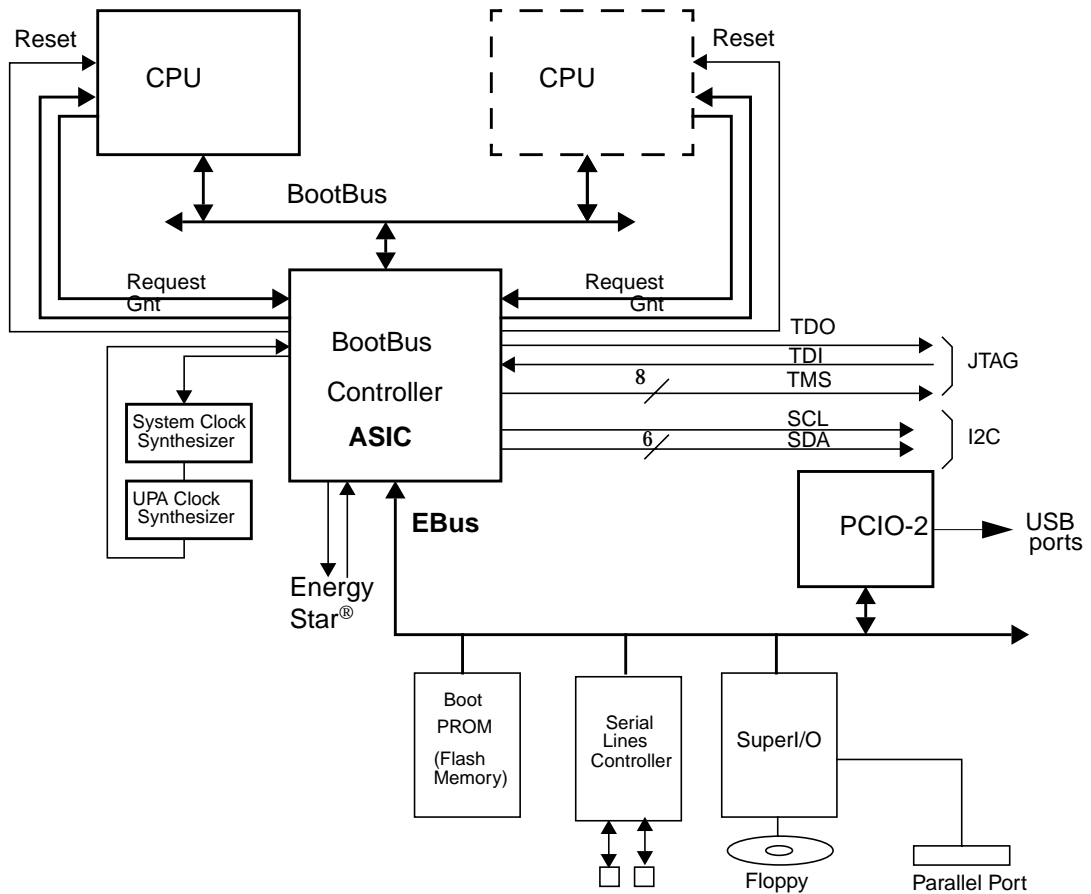


FIGURE C-9 Sun Blade 1000 and Sun Blade 2000 Boot Structure

C.1.6.1 BootBus Controller (BBC) ASIC

The BootBus controller provides access to the boot PROM by bridging the Sun CrossBar Interconnect BootGroup signals (the BootBus) and the EBus. The boot PROM connects directly to the EBus.

The PCIO-2 is also a master on EBus. Full arbitration between the PCIO-2 and the BBC controls access to the EBus. The EBus is accessed from the BBC only during the boot sequence that is, during the execution of POST and OpenBoot PROM.

Note – When the system is running Solaris software, the kernel has no knowledge of the BootBus space.

Access to the boot PROM through the BBC is optimized for 16-byte master accesses performed by the CPU on the BootBus.

BBC is also a slave on EBus and all its internal registers are accessible through the PCIO-2. Thus software drivers running on Solaris software can access the necessary resources such as the Energy Star® software and the thermal management driver.

BBC also supports many other functions that are briefly introduced in the following subsections.

Reset Controller

The BBC is the reset controller in the Sun Blade 1000 and Sun Blade 2000 workstation. The controller receives the reset source lines and is responsible for generating the reset signals for the CPU module and the overall system. The external sources for reset include the power up reset from the power supply, the reset buttons on the motherboard, the SuperI/O watchdog timer, and fatal error conditions.

The reset controller also includes registers that a processor uses to generate an external reset to itself or another processor.

JTAG Controller

BBC is the host for the JTAG+ controller that includes a programmable master tap controller. This allows processors to access the JTAG scan rings in the system by simply executing programmed I/O operations to the BBC master tap controller registers. The processor(s) can access the internal scan chain of all the ASICs and perform different levels of testing (boundary scan, internal scan for ATPG, RAM tests, and BIST if available).

The JTAG+ controller allows for an external JTAG master to be connected to the motherboard for controlling all scan rings including the processor(s) scan ring(s) and the BBC internal scan ring.

I2C Buses

The BBC supports five master I2C buses and a single multi-master I2C bus.

Small I2C serial EEPROMs make it possible to identify pluggable modules that cannot be identified easily through their regular data path. The DIMMs include an I2C serial EEPROM that contains information relative to the size and the speed of the DRAM. The CPU modules include an I2C EEPROM which indicates the size of the second level cache and the speed of the processor.

Sensors on the CPU modules provide temperature data that is read through an analog-to-digital converter with an I2C interface.

The motherboard contains a socketed I2C EEPROM that contains workstation-specific information such as the Ethernet address. This EEPROM can be transferred to a replacement motherboard. Another I2C EEPROM contains system info for a diagnostic log.

I2C is also used in the Sun Blade 1000 and Sun Blade 2000 workstations for a smart card reader interface.

Clock Synthesizers

The BBC ASIC supports another serial interface to access the clock synthesizers. Synthesizers allow frequency margining on the system clock and the UPA64S clock frequency.

After a power on reset, the clock frequency for the system is set at a default low frequency (100 MHz). The multiplier in the CPU modules also are set at their lower value. The OpenBoot PROM software determines the optimal system frequency by reading the I2C EEPROMs on the module and the motherboard. The OpenBoot PROM software programs the new multiplier values in the CPU processors and adjusts the frequency of the synthesizers. A subsequent reset will activate the new multiplier values inside the processors.

Miscellaneous functions

The BBC also supports the following functions:

- Scratch pad memory (2 Kilobytes organized in 256 registers of 64 bits)
- Energy Star protocol on the Sun CrossBar Interconnect bus

C.1.7 UPA

The UltraSPARC port architecture (UPA) provides a packet-based interconnect between the system bus controller (SBC) ASIC and the graphics cards.

C.1.8 PCI Bus

The peripheral component interconnect (PCI) buses used in the Sun Blade 1000 and Sun Blade 2000 workstation are 32-bit or 64-bit. These busses have multiplexed address and data lines. The PCI buses provides electrical interconnect between highly integrated peripheral controller components, peripheral add-on devices, and the processor and memory systems.

There are two PCI buses in the Sun Blade 1000 and Sun Blade 2000 workstations. The first bus is a one-slot, 3.3-VDC, 64-bit or 32-bit, 66-MHz bus. The second bus is a three-slot, 5.0-VDC, 64-bit or 32-bit, 33-MHz bus. Both buses are controlled by the SBC ASIC. There are two on-board PCI devices, the SCSI controller and the PCIO-2 ASIC, on the 33-MHz PCI bus. The ISP2200A FC-AL disk controller is located on the 64-bit 66-MHz PCI bus.

C.1.8.1 PCI Cards

PCI cards come in a variety of configurations. Not all cards fit or operate in all PCI slots, so it is important to know the specifications of your PCI cards and the types of cards supported by each PCI slot in the workstation.

Some PCI cards are as short as 6.875 inches (17.46 cm) in length (called “short” cards), while the maximum length of PCI cards is 12.28 inches (31.19 cm, called “long” cards). Each slot in the Sun Blade 1000 or Sun Blade 2000 workstation can accommodate either a long or a short cards.

Older PCI cards communicate over 32-bit PCI buses, while many newer cards communicate over wider 64-bit buses.

Older PCI cards operate at 5 VDC, while newer cards are designed to operate at 3.3 VDC. Cards that require 5 volts will not operate in 3.3 volt slots, and 3.3 volt cards will not operate in 5 volt slots. “Universal” PCI cards are designed to operate on either 3.3 volts or 5 volts, so these cards can be inserted into either type of slot. The workstation provides three slots for 5 volt cards and one slot for a 3.3 volt card. All four PCI slots accept universal cards.

Most PCI cards operate at clock speeds of 33 MHz, while some newer cards (EPCI) operate at 66 MHz. All four PCI slots can accept 33 MHz cards.

66-MHz cards are restricted to the slot labelled EPCI 1. The following table lists the mapping of the PCI slots to the two PCI buses, and the type of PCI cards supported in each slot.

TABLE C-4 PCI Slot-to-PCI Bus Mapping

Connector Label	Conn. No.	PCI Bus	Slot Width (bits)/ Card Type (bits)	Clock Rates (MHz)	DC Voltage (VDC)/ Card Type
PCI 4	J2601	B	64/32 or 64	33	5/universal
PCI 3	J2501	B	64/32 or 64	33	5/universal
PCI 2	J2401	B	64/32 or 64	33	5/universal
PCI 66 1	J2301	A	64/32 or 64	66	3.3/64-bit

Note – Installing a 33 MHz card into a 66 MHz extended peripheral component interconnect (EPCI) decreases workstation performance.

C.1.8.2 PCI Bus ASICs

SCSI Controller

The SCSI controller ASIC provides an interface between the 33 MHz PCI bus and the internal and external SCSI buses. The dual SCSI bus controller provides separate connections to internal and external devices. SCSI channel A is used for internal devices and supports the SCSI fast and narrow mode. SCSI channel B is used for external devices and supports the Ultra-Wide SCSI mode.

FC-AL Disk Controller

The FC-AL disk controller ASIC provides an interface between the 64-bit, 66 MHz PCI bus, the two FC-AL hard drives, and an external FC-AL connector. The FC-AL controller provides connection to internal and external devices through one channel. The FC-AL loop supports up to 125 devices. See Section C.1.16, “FC-AL Subsystem” on page C-39.

C.1.8.3 Graphics and PCI Card Options

For maximum system performance, the following graphics cards and all 33 MHz PCI options must be installed in PCI card slot 2, 3, or 4 on PCI Bus B (33 MHz Bus):

- Sun Expert3D
- Sun Expert3D-Lite
- Sun PGX64
- SunATM/P 155 MMF adapter
- SunATM/P 155 UTP5 adapter
- SunATM/P 622 MMF adapter

Note – Installing a 33 MHz card into a 66 MHz extended peripheral component interconnect (EPCI) slot J2301 decreases system performance.

C.1.8.4 Sun Expert3D and Expert3D-Lite Graphics Cards

A software patch is required when two Sun Expert3D or Expert3D-Lite graphics cards are installed in a Sun Blade 1000 or Sun Blade 2000 workstation. This software patch prevents system lockup of the CPUs when processing data between two Expert3D or Expert3D-Lite graphics cards. The software patch number is 108576-08 and is downloaded when you install the Sun Expert3D or Expert3D-Lite software provided with the graphics card installation kit. Check for the latest patch level by going to the following Sun web site:

<http://www.sun.com/sunsolve/>

C.1.9 Peripherals

The following peripherals are supported by the Sun Blade 1000 and Sun Blade 2000 workstation:

- Section C.1.9.1, “DVD-ROM and Tape Drives” on page C-29
- Section C.1.9.2, “Diskette Drive” on page C-30
- Section C.1.9.3, “Hard Drives” on page C-30
- Section C.1.9.4, “Smart Card Reader” on page C-31

C.1.9.1 DVD-ROM and Tape Drives

The DVD-ROM, and back-up devices (tape drive) are interfaced through a SCSI controller. The Sun Blade 1000 and Sun Blade 2000 workstations use a SCSI host controller on the PCI bus. This controller is used only in fast narrow mode.

Note – The DVD-ROM drive is factory set to SCSI target ID 6. Refer to the installation documentation for the DVD-ROM to change the target ID address.

C.1.9.2 Diskette Drive

The workstation has a standard 1.44-Mbyte diskette drive that is 1 inch (25.40 mm) high. Refer to the *Manual Eject Diskette Drive Specifications*, part number 805-1133, for diskette information, panel descriptions, and drive specifications.

Note – The diskette drive is factory-set to target address 0. Refer to the *Manual Eject Diskette Drive Specifications*, part number 805-1133, to change the target address.

SuperI/O Diskette Drive Interface

The SuperI/O ASIC contains an on-board diskette drive controller with a 16-byte first-in-first-out (FIFO) memory buffers that support burst and non-burst modes. The diskette drive controller handles data rates of 500 Kbps and 250 Kbps. See Section C.1.12, “Diskette Drive and Parallel Ports” on page C-32 for details.

C.1.9.3 Hard Drives

The workstation supports two internal FC-AL hard drives. Each hard drive has a single connector configuration. A drive bracket is used to mount the drives. The following table lists the hard drive features of some of the Sun Blade 1000 and Sun Blade 2000 drives.

TABLE C-5 Internal Hard Drive Features

Form Factor Dimension	Hard Drive Capacity	RPM	Seek Time (read/write) (average)
1.00-inch (2.54-cm)	18 Gbytes	10K	7.5 msec / 8.5 msec
1.00 inch (2.54 cm)	36 GBytes	10K	7.5 msec / 8.5 msec
1.00 inch (2.54 cm)	73 GBytes	10K	7.5 msec / 8.5 msec

The *18 Gbyte 10K RPM Disk Drive Specifications*, part number 806-1057, provides installation instructions, power requirements, and performance data for the 18-Gbyte 10K RPM hard drive.

C.1.9.4 Smart Card Reader

The smart card reader enables a user to securely log into the Solaris operating environment through the use of a smart card. Information on the smart card verifies the identity of the user during login. When a user logs in by using a smart card the following series of events occurs:

- The user inserts the smart card into the smart card reader.
- The user attempts to run a protected application, typically this application is the the Solaris 8 operating environment, but other applications can be protected by smart cards as well.
- The application tries to authenticate the user by reading the authentication information configured on the user's smart card. This information is the user's personal identification number (PIN) and the user's account password.
- The application prompts the user to type the PIN, and then compares the typed PIN with the PIN stored on the smart card.
- If the typed PIN and the PIN on the smart card match, the application then searches the password database specified to the host's `/etc/nsswitch.conf` file for the same password that is on the smart card
- If the application finds the smart card's password in the host's password database, it considers the user authenticated and logs in the user.

Note – The smart card reader is attached to motherboard through an I2C bus, through 10 pin connector J3604.

C.1.10 Other Peripheral Assembly Options

The workstation supports other peripheral assembly options. These options can include the DVD-ROM drive and tape drives.

C.1.11 Keyboard and Mouse

The keyboard and mouse port USB interface is managed by the PCIO-2 ASIC. FIGURE C-10 shows the keyboard and mouse port interface functionality.

C.1.11.1 Keyboard and Mouse Port

The keyboard and mouse are connected to the USB connectors, located on the motherboard. Keyboard current is limited to 700 milliamperes (mA) by a resettable fuse.

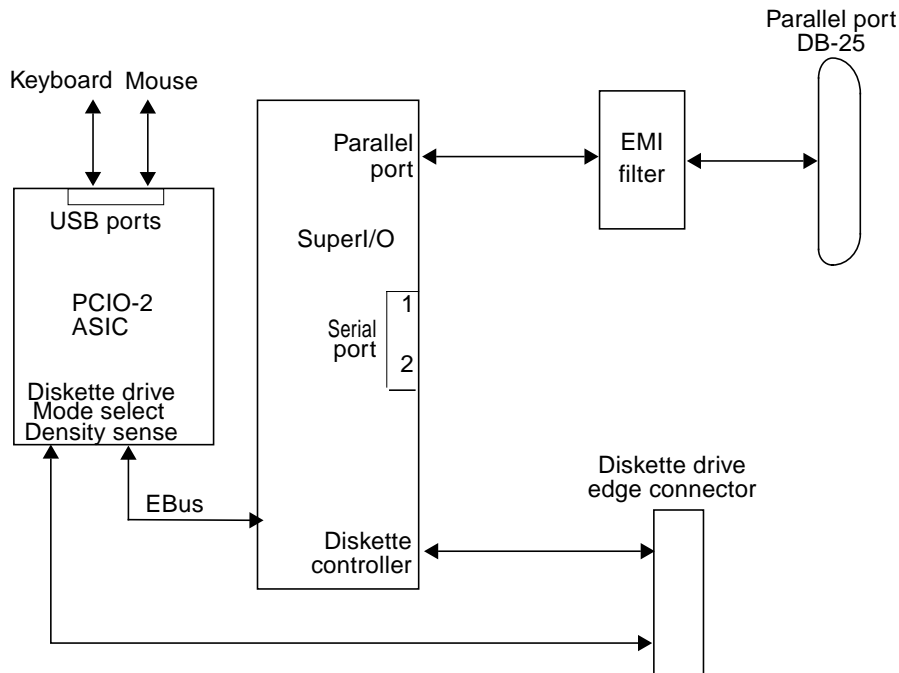


FIGURE C-10 Keyboard and Mouse, Diskette, and Parallel Port Functional Block Diagram

C.1.12 Diskette Drive and Parallel Ports

The diskette drive and parallel port are managed by the SuperI/O component.

C.1.12.1 Diskette Port

The diskette port is supported by a diskette controller, located on the SuperI/O ASIC. The diskette controller is software compatible with the DP8473, DP765A, and the N82077 diskette controllers. The SuperI/O ASIC is compatible with perpendicular recording drives (2.88-Mbyte formatted diskettes) and standard diskette drives. The diskette controller handles data rates of 2Mbit/sec., 1Mbit/sec, 500 Kbits/sec, and 250 Kbit/sec.

Two extra pins on the SuperI/O ASIC support all Sun standard diskette drives, including diskette drives using Density_Select and Density_Sense pins and diskette drives using a Disk_Change signal. It is DMA driven via a DMA channel in the EBus interface of the PCIO ASIC. Manual eject diskette drives (IDs of 0 or 1, respectively) are supported.

Power is supplied to the diskette drive from a separate power connector. The diskette drive operates from the 5 VDC supply and draws a maximum power of 1.1 watts operating and 44 milliwatts in standby mode.

C.1.12.2 Parallel Port

The parallel port is supported by an IEEE 1284-compliant parallel port controller located on the SuperI/O ASIC. The parallel port controller is a PC industry-standard controller that achieves a 2-Mbits/sec. (Mbps) data transfer rate. The parallel port controller interface supports the ECP protocol as well as the following:

- **Centronics**—Provides a widely accepted parallel port interface.
- **Compatibility**—Provides an asynchronous, byte-wide forward (host to peripheral) channel with data and status lines used according to their original definitions.
- **Nibble mode**—Provides an asynchronous, reverse (peripheral-to-host) channel, under control of the host. Data bytes are transmitted as two sequential, four-bit nibbles using four peripheral-to-host status lines.

Parallel Port Cables

The parallel port cable is IEEE 1284-compliant and consists of 18 pairs of signal wires that are double shielded with braid and foil. The maximum length of the parallel port cable is 2.2 yards (2 meters).

Electrical Characteristics

Drivers operate at nominal 5 VDC TTL levels. The maximum open circuit voltage is 5.5 VDC and the minimum is -0.5 VDC. A logic high-level signal is at least 2.4 VDC at a source current of 0.32 mA, and a logic low-level signal is no more than 0.4 VDC at a sink current of 14 mA.

Receivers also operate at nominal 5-VDC TTL levels and can withstand peak voltage transients between -2 VDC and 7 VDC without damage or improper operation. The high-level threshold is less than or equal to 2.0 VDC and the low-level threshold is at least 0.8 VDC. Sink current is less than or equal to 0.32 mA at 2.0 VDC, and source current is less than or equal to 12 mA at 0.8 VDC.

C.1.13 Serial Port

The workstation incorporates two serial ports. Each serial port is synchronous and asynchronous with full modem controls. All serial port functions are controlled by a serial port controller that is electrically connected to the system through the EBus. Line drivers and line receivers control the serial port signal levels and provide RS-232 and RS-423 compatibility. Each serial port interfaces through its own DB-25 connector.

The major features of each serial port include:

- Two fully functional synchronous and asynchronous serial ports
- DB-25 connectors
- Increased baud rate (to 384 Kbaud synchronous, 460.8 Kbaud asynchronous)
- Variable edge rate for greater performance
- EBus interface

The following figure shows a functional block diagram of the serial port:

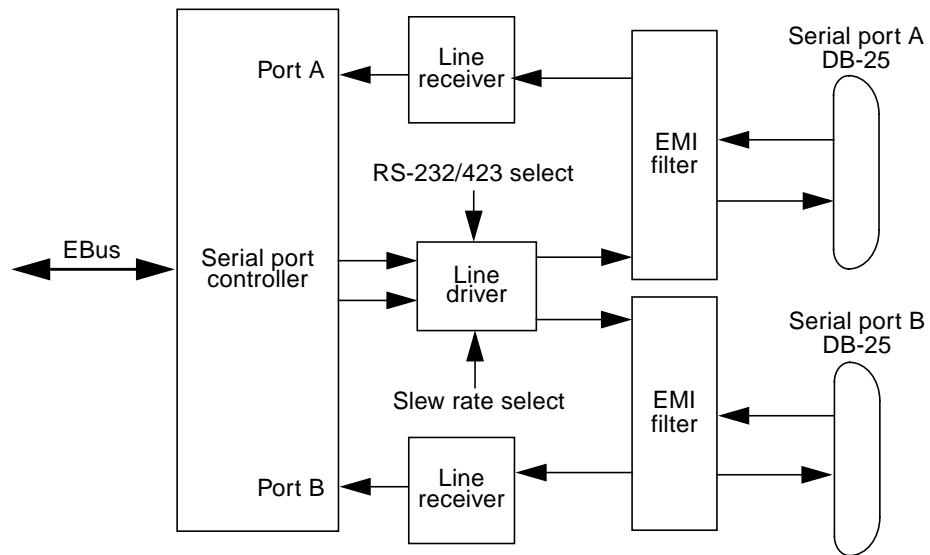


FIGURE C-11 Serial Port Functional Block Diagram

C.1.13.1 Serial Port Components

Serial port components include a serial port controller, line drivers, and receivers.

The serial port controller contains 64-byte input and output buffers that reduce the CPU bandwidth requirements of the serial port controller.

Note – Interrupts are generated when the buffer reaches 32 bytes or half full.

The line drivers and line receivers are compatible with both RS-232 and RS-423 protocols. Software control sets the line drivers and line receivers to either RS-232 or RS-423 protocols. The line driver slew rate is also programmable. For baud rates over 100 Kbaud, the slew rate is set to 10 VDC/ μ sec. For baud rates under 100 Kbaud, the slew rate is set to 5 VDC/ μ sec.

C.1.13.2 Serial Port Functions

Modem connection to the serial port allows access to the Internet. Synchronous X.25 modems are used for telecommunications in Europe. An ASCII text window is accessible through the serial port on your workstation. Low speed printers, buttonboxes (for CAD/CAM applications), and devices that function like a mouse are also accessible through the serial port. The additional speed of the serial port can be used to execute communications with a CSU/DSU for a partial T1 line to the Internet at 384 Kbaud.

C.1.13.3 EIA Levels

Each serial port supports both RS-232 and RS-423 protocols. RS-232 signaling levels are between -3 VDC and -15 VDC and +3 VDC and +15 VDC. A binary 1 (001_2) is anything greater than +3 VDC and a binary 0 (000_2) is anything less than -3 VDC. The signal is undefined in the transition area between -3 VDC and +3 VDC. The line driver switches at -10 VDC and +10 VDC with a maximum of -12 VDC and +12 VDC in RS-232 mode. RS-423 support is similar except that signaling levels are between -4 VDC to -6 VDC and +4 VDC and +6 VDC. The line driver switches at -5.3 VDC and +5.3 VDC with a maximum of -6 V and +6 VDC.

The preferred signaling protocol is RS-423. The higher voltages of RS-232 makes it more difficult to switch at the higher baud rates. The maximum rate for RS-232 is approximately 64 Kbaud while the maximum rate for RS-423 is 460.8 Kbaud. The workstation default is set to RS-232.

C.1.13.4 Synchronous Rates

The serial synchronous ports operate at any rate from 50 Kbaud to 256 Kbaud when the clock is generated from the serial port controller. When the clock is generated from an external source, the synchronous ports operate at up to 384 Kbaud. Clock generation is accurate within 1 percent for any rate that is generated between 50 Kbaud and 256 Kbaud.

C.1.13.5 Asynchronous Rates

The serial asynchronous ports support twenty baud rates that are all exact divisors of the crystal frequency (with the exception of 110, which is off by less than 1 percent). Baud rates include 50, 75, 110, 200, 300, 600, 1200, 1800, 2400, 4800, 9600, 19200, 38400, 57600, 76800, 115200, 153600, 230400, 307200, and 460800.

C.1.13.6 Slew Rate and Cable Length

The maximum RS-423 cable length is 118 feet (30 meters) and the maximum RS-232 cable length is 50 feet (15.24 meters). The slew rate changes depending on the speed. For speeds less than 100 Kbaud, the slew rate is set at 5 VDC per microsecond. For rates greater than 100 Kbaud, the slew rate is increased to 10 VDC per microsecond. This allows maximum performance for the greater baud rates and better signal quality at the lesser baud rates.

C.1.14 Ethernet

The workstation supports 10-Mbps, 10BASE-T, twisted-pair Ethernet; and 100-Mbps, 100BASE-T. Twisted-pair Ethernet is provided through an 8-pin RJ45 connector. The Ethernet circuitry design is based on a Lucent PHY.

The PHY chip integrates a 100BASE-T physical coding sub-layer (PCS) and a complete 10BASE-T module in a single chip.

The 100BASE-X portion of the PHY IC consists of the following functional blocks:

- Transmitter
- Receiver
- Clock generation module
- Clock recovery module

The 10BASE-T section of the PHY IC consists of the 10-Mbps transceiver module with filters.

The 100BASE-X and 10BASE-T sections share the following functional characteristics:

- PCS control
- IEEE 802.3u auto negotiation

C.1.14.1 Automatic Negotiation

Automatic negotiation controls the Ethernet (TPE) cable when a connection is established to a network device. Automatic negotiation detects the various modes that exist in the linked partner and advertises its own abilities to automatically configure to the highest performance mode: 10BASE-T, 100BASE-TX, or 100BASE-T4 in half- and full-duplex modes.

C.1.14.2 External Cables

The RJ-45 Ethernet port supports a Category 5, UTP cable for the 100BASE-T, and a Category 3, 4, or 5 UTP cable for the 10BASE-T operation.

Note – The maximum cable segment lengths for the 100BASE-TX and 10BASE-TX are 109 yards (100 meters) and 1094 yards (1000 meters), respectively.

C.1.15 Audio Card and Connector

An audio card provides various audio applications from telephone-quality speech to CD-quality music. The audio card supports four jacks of identical type: line in, line out, headphone out, and microphone in. The following table lists the major features of the audio card. The following figure illustrates a functional block diagram of the audio card.

TABLE C-6 Audio Card Features

Figure Reference	Feature	Description
1	Stereo line level	Attenuated by a resistor divider network and then fed into the line inputs of the CODEC.
2	Stereo microphone input	Buffered by a non inverting operational amplifier (one operational amplifier for the left channel and one operational amplifier for the right channel). The left and right outputs are then fed into the left and right Mic. Inputs of the CODEC. A filtered +5 VDC signal is fed to the signal inputs.
3	CODEC mono-output	Fed into an active graphic equalizer to add bass boost and mid-range attenuation. Equalizer output is amplified and routed to the front mounted 16-ohm, 68-mm speaker.

TABLE C-6 Audio Card Features

Figure Reference	Feature	Description
4	Line output	A direct output, except E1, which enables muting of this signal. The mute function is driven from the codec PIO lines.
5	Headphone output	Buffered by an operational amplifier to give headphone drive with low impedances of 16 ohms or more. The output of the headphone out is independently mutable, driven from codec PIO lines.
6	Multimedia CODEC (MMCODEC)	Heart of the audio module. A single-chip, stereo, A/D and D/A converter based on delta-sigma conversion.

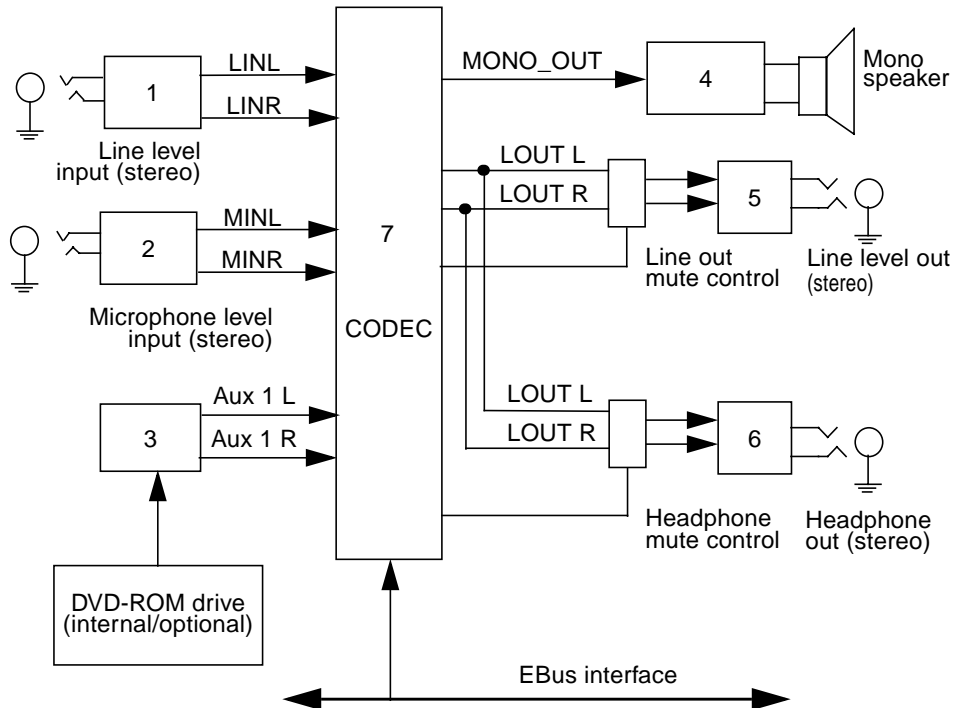


FIGURE C-12 Audio Card Functional Block Diagram

The audio card connector is a dual-position, standard-edge connector whose features include:

- 23 dual positions (46 total)
- 50-millimeter centerline
- 1.49 inches (total length)

The audio connector supports the following:

- Nine CODEC address lines
- Eight CODEC data lines
- Control lines write, read, codec chip select, PROM chip select, reset
- CODEC DMA support signals: playback request, playback acknowledge, capture request, and capture acknowledge
- CODEC power down line
- Audio analog lines DC volume control line
- Audio present
- Power/ground two +12 VDC lines, one -12 VDC line, one voltage at the common collector (VCC) line, five digital grounds, and four analog grounds
- Two spare pins

C.1.16 FC-AL Subsystem

Sun Blade 1000 and Sun Blade 2000 workstations support FC-AL (Fibre Channel-Arbitrated Loop) as the interface for internal and external hard drives. The physical medium is copper. Optical links are not supported.

The disk drives are connected to the loop through a hub chip. The hub supports two internal connectors and the external connector. Internal signal detect circuitry automatically detects the presence of a device at the external connector which enables or disables the external port. The individual ports can also be bypassed manually by a software probe and programming a GPIO register in the FC-AL controller.

TABLE C-7 ISP2200A GPIO Bits

ISP2200A GPIO Bits	Drive Control	Input/Output Type	Default/Reset Value
<0>	External drive	Output	1*
<1>	Internal drive 1	Output	1*
<2>	Internal drive 2	Output	1*
<3>	External port detect	Input	0**

**0 means bypass
*1 means enable

The FC-AL host controller ASIC has a 64-bit, 66 MHz PCI (EPCI) interface. The controller contains the serializer/deserializer (SERDES) and the transceivers on-chip. The host controller implements the Fibre Channel protocol through a microcoded engine. The memory for the firmware is external and is implemented with synchronous 128 Kilobyte SRAM. This memory also keeps the context data for outstanding I/Os.

The figure below shows the Sun Blade 1000 and Sun Blade 2000 disk subsystem architecture:

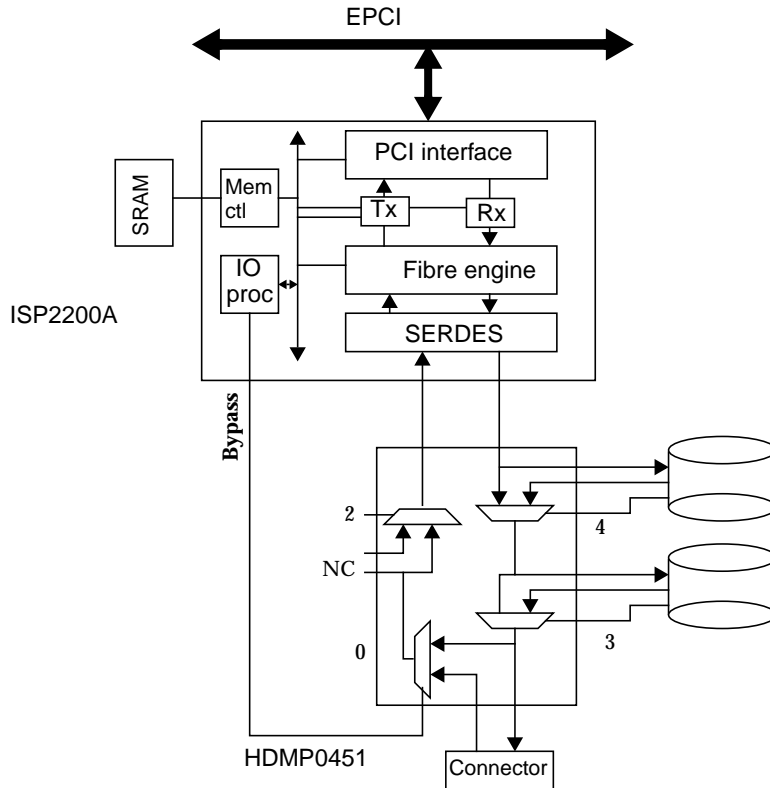


FIGURE C-13 Sun Blade 1000 and Sun Blade 2000 FC-AL Disk Subsystem

C.1.17 SCSI

The workstation implements a small computer system interface (SCSI) for UltraSCSI, 40 Mbps parallel interface bus. UltraSCSI provides the following:

- Efficient peer-to-peer I/O bus devices
- Mechanical, electrical, and timing specification definition that support transfer rates of 20 or 40 Mbytes/sec. (corresponding to the data path width of an 8-bit, or 16-bit bus, respectively)
- Peak bandwidth of 40 Mbytes/sec. (with implemented 16-bit bus width)

The internal SCSI bus is terminated at each end. One set of terminators is located close to the DVD-ROM drive connector on the DVD-ROM SCSI cable. A second set of terminators is located close to the internal SCSI connector. The following figure shows the SCSI bus configuration.

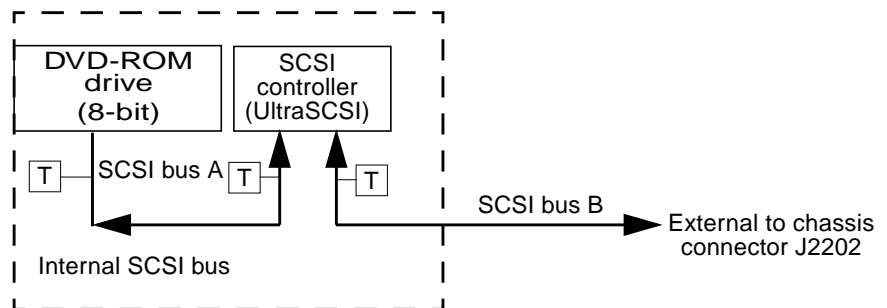


FIGURE C-14 Configuration for the SCSI Bus

C.1.17.1 Host Adapter

The host adapter is a QLogic PCI-SCSI ASIC. The host adapter and all target devices comply with the UltraSCSI single-ended drivers and receivers characteristics. The electrical characteristics of the output buffers include:

- V_{ol} (output low) equals 0 to 0.5 VDC with I_{ol} at 48 mA (signal asserted)
- V_{oh} (out high) equals 2.5 to 3.7 VDC (signal negated)
- t_{rise} (rising slew rate) equals 520 mV per nanosecond maximum (0.7 to 2.3 VDC)
- t_{fall} (falling slew rate) equals 520 mV per nanosecond maximum (2.3 to 0.7 VDC)

The UltraSCSI electrical characteristics for the host adapter and target device include:

- V_{il} (input low) equals 1.0 VDC maximum (signal true)
- V_{ih} (input high) equals 1.9 VDC minimum (signal false)
- I_{il} (input low current) equals +/- 20 μ A at V_i equals 0.5 VDC
- I_{ih} (input high current) equals +/- 20 μ A at V_i equals 2.7 VDC
- Minimum input hysteresis equals 0.3 VDC

C.1.17.2 Supported Target Devices

The SCSI subsystem supports a maximum of three internal devices, including the host adapter, DVD-ROM drive and tape drive. The external SCSI bus supports up to 16 Ultra Wide SCSI devices.

C.1.17.3 External Cables

External UltraSCSI-compliant SCSI cables have an impedance of 90 ohm (+/- 6 ohms) and are required for UltraSCSI interface. The Sun implementation of UltraSCSI requires that the total SCSI bus length be limited to no more than approximately 20 feet (6 meters) with up to 12 Sun compensated devices.

Due to the considerably short bus length, two UltraSCSI-compliant external cables are supported: a 32-inch (0.8-meter) and a 6.5-feet (2-meter).

Note – Consult your authorized Sun sales representative or service provider to order UltraSCSI-compliant external cables.

There is also an external SCSI connector on the backpanel for legacy peripheral devices.

C.1.18 SuperI/O

The Sun Blade 1000 and Sun Blade 2000 workstations use a SuperI/O ASIC to interface to the diskette drive and the parallel port. The SuperI/O ASIC also provides the TOD/ID EEPROM and interfaces with the power supply.

C.2 Power Supply

The 670-watt autosensing power supply has a voltage range of 90 to 264 Volts root-mean-square (VRMS) with a frequency range of 47 to 63 Hz. The maximum input current is 12 amps at 100 volts.

The power supply output voltages are listed in the following table. The power supply continues to regulate all outputs for 10 milliseconds after AC power is removed.

TABLE C-8 Power Supply Output Values for the Sun Blade 1000 and Sun Blade 2000

Output	Voltage (VDC)	Max Current (A)	Regulation Band (V)
1	3.3	90.0	3.23 to 3.43
2	5.0	70.0	4.85 to 5.25
3	12.0	8.0	11.65 to 12.60
4	-12.0	0.4	-12.60 to -11.40
5	5.0_Standby	1.5	4.75 to 5.25

Note – The combined power of output 1 and output 2 must be less than 600 watts.

C.2.1 Control Signals

All power supply control signals are at signal levels shown in table C-8.

TABLE C-9 Power Supply Control Signal Levels

Parameter	Min	Max
V _{OH} (high-level output voltage)	3.4 VDC	
V _{OL} (low-level output voltage)		0.4 VDC
V _{IH} (high-level input voltage)	2.4 VDC	
V _{IL} (low-level input voltage)		0.8 VDC

C.2.1.1 Remote Enable Power On

A remote interface can enable the DC outputs with a low signal to the Power On input. This signal is applied to the power supply from the motherboard.

C.3 Motherboard

FIGURE C-15 shows a block diagram of the Sun Blade 1000 and Sun Blade 2000 motherboard. TABLE C-10 describes the functions of the connectors and jumpers.

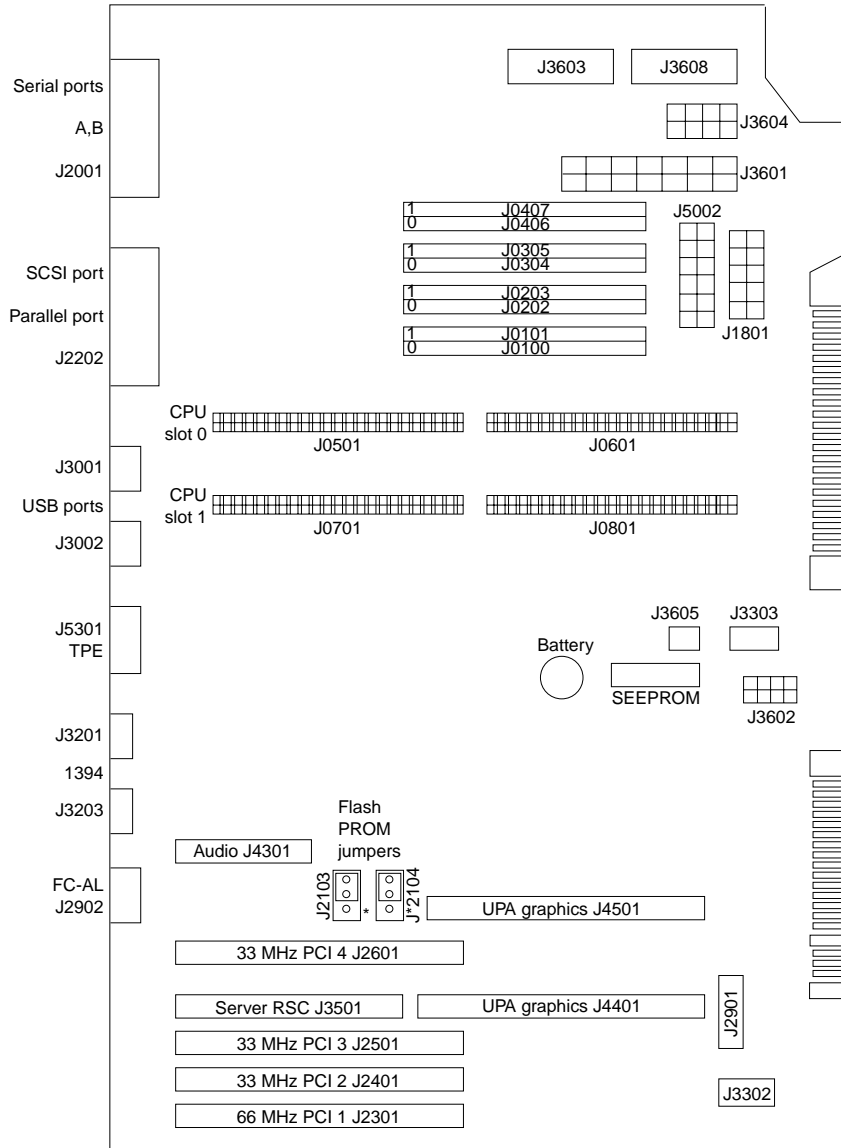


FIGURE C-15 System Motherboard Block Diagram

TABLE C-10 Motherboard Component Functions

Designation	Function
J0100	DIMM
J0101	DIMM
J0202	DIMM
J0203	DIMM
J0304	DIMM
J0305	DIMM
J0406	DIMM
J0407	DIMM
J0501	CPU connector
J0601	CPU connector
J0701	CPU connector
J0801	CPU connector
J1801	Diskette drive data connector
J2001	Serial ports A, B rear panel connector
J2103	Jumper PROM R/W See Section C.4, "Jumper Descriptions" on page C-47
J2104	Jumper PROM Select See Section C.4, "Jumper Descriptions" on page C-47
J2202	SCSI, Parallel rear panel connector
J2301	66 MHz PCI 1 connector
J2401	33 MHz PCI 2 connector
J2501	33 MHz PCI 3 connector
J2601	33 MHz PCI 4 connector
J2901	FC-AL internal connector
J2902	FC-AL rear panel connector
J3001	USB rear panel connector
J3002	USB rear panel connector
J3201	IEEE 1394 rear panel connector
J3203	IEEE 1394 rear panel connector
J3302	Lower fan power connector
J3303	Upper fan power connector

TABLE C-10 Motherboard Component Functions *(Continued)*

Designation	Function
J3501	Server RSC connector
J3601	Power supply connector
J3602	Combined cable connector
J3603	Power supply connector
J3604	Smart card reader connector
J3605	Go-glow connector
J3608	Peripheral power cable connector
J4301	Audio card connector
J4401	UPA board connector
J4501	UPA board connector
J5002	SCSI connector
J5301	Ethernet rear panel connector

C.4 Jumper Descriptions

Jumper configurations can be changed from the default settings by setting jumper switches on the motherboard.

A jumper switch is *closed* (sometimes referred to as *shorted*) with the plastic cap inserted over two pins of the jumper. A jumper is *open* with the plastic cap inserted over one or no pin(s) of the jumper.

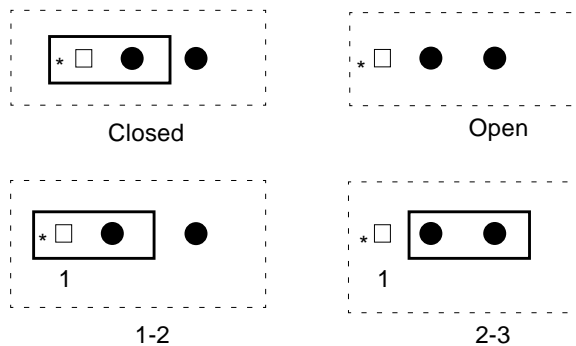


FIGURE C-16 Selected Jumper Settings

Jumper descriptions include brief overviews of flash PROM jumpers and additional system board jumper and connector blocks.

Jumpers are identified on the system board by J designations. Jumper pins are located immediately adjacent to the J designator. Pin 1 is marked with an asterisk in any of the positions shown in the figure below.

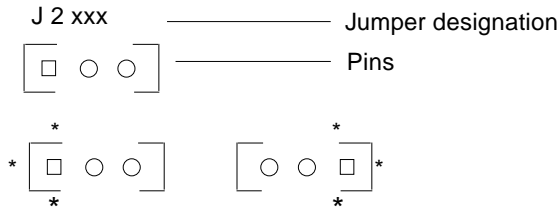


FIGURE C-17 Identifying Jumper Pins

C.4.1 Flash PROM Jumpers

Flash PROM jumpers J2103 and J2104 are for reprogramming specific code blocks and remote programming of the flash PROM. The following figure shows the flash PROM jumper locations.

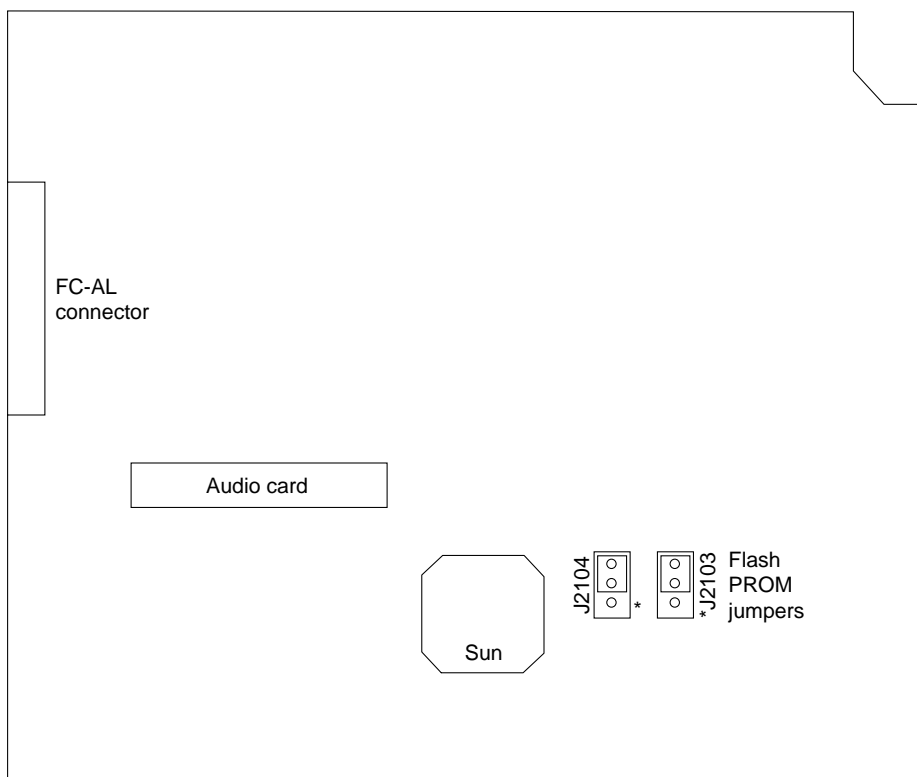


FIGURE C-18 Flash PROM Jumper Locations

TABLE C-11 Flash PROM Jumper Settings

Jumper	Pins 1 + 2 Select	Pins 2 +3 Select	Default Jumper on Pins	Signal Controlled
J2103	Write-protect	Write-enable	2 + 3	Flash PROM program enable
J2104	Select	No select	2 + 3	X or Logic Set

Note – Additional Flash PROM information for the Sun Blade 1000 and Sun Blade 2000 workstations can be found in the publication, *Sun Flash PROM Guide for Workstations and Workgroup Servers—Standalone Version (802-3233)*.

C.5 Enclosure

The Sun Blade 1000 and Sun Blade 2000 enclosure allows for under-desk installation. The enclosure design complies with all necessary environmental and regulatory specifications.

C.5.1 Enclosure Basics

Overall dimensions of the enclosure are 10.0 inches x 24.4 inches x 17.8 inches (255mm x 620 mm x 452 mm). The enclosure houses:

- One 1.0-inch diskette drive or a second 1.6-inch device
- One 1.6-inch DVD-ROM or tape drive
- One 1.0-inch device slot for the smart card reader

Note – The DVD-ROM drive slot is used for an optional DVD-ROM drive or tape drive.

- Two 1-inch or 1.6-inch single-connector 3.5-inch hard drives
- Two plug-in UltraSPARC III modules
- Eight DIMMs
- Four PCI slots
- Two UPA64S modules

C.5.2 Enclosure Features

Enclosure features include:

- Access for internal upgrades and service
- Optimized system board layout
- Graphics expansion module (UPA64S connector)
- Processor placed on plug-in module expediting upgrades
- All standard connectors and no splitter cables on rear panel

C.6 Power Management

The objective of the Environmental Protection Agency's Energy Star program is to reduce power consumption levels of electrical devices to save energy. The Energy Star specification for computers requires that after 15-30 minutes of inactivity the reduced power level be less than 15% of the maximum rated output of the power supply. The approach adopted to meet the Energy Star requirement on the previous generation of desktop platforms is to preserve an image of the system on:

- the disk drive for fast reboot,
- to do an orderly shut down and
- to turn off the workstation.

The Power Management™ software that is integrated with your Solaris software improves the energy efficiency of your system. Internal subsystems enter a low-power mode after a specified period of inactivity. Power is returned to subsystems on an as-needed basis.

While in low-power mode, your system retains network awareness, such that it responds to tasks directed to it.

The power-indicator LED in the center of the front panel power switch has three states that indicate the power status of the system, as described in TABLE C-12.

TABLE C-12 Power-Indicator LED States

LED Activity	Meaning
LED off	System power is off or system is booting up.
LED blinking	All internal subsystems are in lowest possible power consumption mode for this system. Some hardware components and software drivers do not support this system's lowest possible power consumption mode, when this occurs, the power indicator LED will not blink.
LED on	Full power is on in one or more of the internal subsystems and system self test has completed successfully.

Note – Energy Star power management for Sun Blade 1000 and Sun Blade 2000 workstations can be disabled by using the Dtpower (dt = “desktop”) GUI. See Section 9.4, “Disabling Power Management” on page 9-7.

C.6.1 Subsystems Power Management

Power management of each subsystem is controlled by the Power Management software and is configured through a graphical user interface (GUI). The idle time before a subsystem is power managed can be adjusted by the user. Subsystems may also be left at full power (infinite idle time) or forced into low-power mode (zero idle time).

The following are brief descriptions of the subsystems' power management behavior. Refer to the following sections for more details on each subsystem.

C.6.1.1 UltraSPARC III Processor(s), Main Memory, and Sun CrossBar Interconnect

This subsystem corresponds to the core of the Sun Blade 1000 and Sun Blade 2000 workstation and represents most of the workstation power budget. Power is saved in this subsystem by lowering the system clock frequency. The Power Management software manages the frequency shifts by monitoring idle and active time as reported by the Solaris operating environment. When idle time, determined by what code is being executed, reaches a certain level by software, the system clock is transitioned to a lower frequency. This is done in two steps:

1. First, the clock is cut to 1/2, then to 1/32 of the nominal frequency.
2. When CPU activity increases and the idle time decreases to a certain level, the frequency is shifted back to 1/2 then to full speed.

The external cache also supports a sleep mode that is automatically activated when the system frequency is reduced and no access is active.

C.6.1.2 EPCI Bus

Devices that support the *PCI Bus Power Management Interface Specification* are put into sleep mode. If no device has the ability to request service through an interrupt or similar signal, the clock may be completely turned off to save more power.

C.6.1.3 Storage Devices

FC-AL (hard drives), SCSI CD-ROM, and DVD-ROM devices spin down when inactive.

C.6.1.4 Audio

The audio module is put into a stand-by mode by software when it is inactive. When an application accesses the audio subsystem, the audio module reactivates.

C.6.1.5 IEEE 1394 Bus

When software determines there is no activity on the IEEE 1394 bus and there is no need to provide power to any external devices, the power provided by the system to the cable is turned off. The PHY is still on so that it acts as a repeater although the Sun Blade 1000 and Sun Blade 2000 workstations are logically off the IEEE 1394 bus. This would allow external devices to still communicate on the bus while the Sun Blade 1000 and Sun Blade 2000 workstations are in low-power mode.

The IEEE 1394 interface must be awakened by software when an application desires to use the IEEE 1394 bus.

C.6.1.6 USB

USB framework power, manages all USB devices. If a USB device is inactive for a period of time, USB framework puts the device into low-power mode. The device is again brought into full power mode by the USB framework when a user attempts to use a device or when an application on the host starts an input or output to or from the device. All HID (human interface device) hub and storage devices (example: keyboard or mouse) are power managed by default if they support wakeup. Printers are power managed only between job outputs.

Note – Activity on the USB keyboard or mouse indicates user intervention, causing USB framework power to remove the workstation from low-power mode.

USB Support

This appendix contains information on the following topics:

- Section D.1, “USB Keyboard and Mouse” on page D-1.
- Section D.2, “USB Power Management” on page D-2.

D.1 USB Keyboard and Mouse

D.1.1 USB Keyboard

The following USB Keyboard information is provided for your Type-6 USB keyboard:

- The Sleep key on the USB keyboard behaves differently than the power key on Type-5 or Type-6 keyboards. On a USB keyboard, you can SUSPEND/SHUTDOWN the workstation using the sleep key, but you cannot power on the workstation.
- If you are using a USB keyboard that is not from Sun, the functionality that you get with a left-side keypad is unavailable.

Note – The keys for the left-side keyboard are not present on the USB keyboard.

- Multiple keyboards are not supported. The keyboards enumerate and are usable but, are not plumbed as a console keyboard.
- The first keyboard that gets probed at boot time becomes the console keyboard. This can potentially cause confusion to users if there are multiple keyboards plugged in at boot time.

- On a workstation with multiple USB keyboards, if you unplug the console keyboard, the next available USB keyboard does not become the console keyboard. The next hot-plugged keyboard will become the console keyboard.

D.1.2 USB Mouse

The following USB mouse information is provided for your Type-6 USB mouse:

- Multiple mice are not supported. The mice enumerate and are usable, but are not plumbed as console mouse.
- The first mouse probed at boot time becomes console mouse. This can potentially cause confusion to customers if there are multiple mouse plugged in at boot time.
- If you have a 3rd-party composite keyboard with PS/2 mouse, and it is the first one to be probed, it will become the console mouse even if the PS/2 mouse is not plugged in.

Note – Therefore if another USB mouse is plugged into the workstation it will not work because the second mouse is not configured as the console mouse.

- On a workstation with more than one USB mouse, if you unplug the console mouse, the next available USB mouse doesn't become the console mouse. The next hot-plugged mouse will become the console mouse.
- Only a 2 or 3 button mouse is supported. A wheel on wheel mouse acts like a plain button mouse. A mouse with more than 3 buttons, functions like a 3 button mouse.

D.2 USB Power Management

USB power management is "leaf" first and then "bottoms-up". This means that all leaf devices go into low-power mode first. Following that, the bottom-most hub goes into low-power mode first, followed by hubs in the next upper level. This sequence follows all the way to the top root hub.

Note – As a rule of thumb, the deeper the USB device tree, the poorer USB power management becomes.

D.2.1 Storage Devices

- Use `pcfs(7fs)` and `udfs(7fs)` with USB mass storage devices. These file systems are platform neutral and data can be easily shared between platforms. UFS is also supported, but requires syncing on panic. The driver currently supports syncing.
- Each mass storage device has a device node called `disk`. Each node receives a unique controller number. A device with multiple LUNs gets the same controller number but different `d` number (`/dev/[r]dsk/cXtYdZsN`)
- On hot-pluggable mass storage drives, `/dev/[r]dsk` links remain persistent. Type `devfsadm -C` to remove stale links.
- System Checkpoint/Resume fails if a file system is mounted.

D.2.2 Printer Devices

- After plugging in the printer, type `lpadmin` or `printmgr` to configure the printer. To find out which of `/dev/printers/N` is a USB printer type `ls -l` on `/dev/printers` and find out which symbolic links point to the `usbprn` device.
- For Lexmark printers choose "HP" as printer type in `Printmgr`.

D.2.3 Hot-Plugging

- OpenBoot PROM at present doesn't support hot-plugging USB devices. If a user removes the USB keyboard when the workstation is at the `ok` prompt, the workstation becomes hung. If the USB keyboard is plugged into the workstation again the OpenBoot PROM will not recognize the keyboard. You will have to power cycle the workstation.
- As a general rule, no USB device should be hot-plugged when the workstation is at the `ok` prompt in OpenBoot PROM and during booting of the workstation until a UNIX login prompt is displayed.
- Unplugging an open or busy device does not remove the entries in the `prtconf` file. The system prompts the user for the original device. To clear the `prtconf` file entries, plug the original device into the same port, close the application and remove the device. Until this process is completed, the port remains unusable.
- After plugging in a device, check `prtconf` or `/dev/usb` before hot removing.

D.2.4 Cabling

- Never use USB cable extenders that are available on the market. Always use a hub with longer cables to connect devices.

- Always use fully-rated (12Mbps) 20/28 AWG cables for connecting devices.

D.2.5 Devices Supported

- USB keyboard and mouse. Composite keyboards with PS/2 mouse.
- Hubs: 4 & 7 port, either bus or self-powered
- Printers:
 - Lexmark Optra E310, M410, T616, W810, Color45
 - Xerox DocuPrint N2125
- Storage:
 - Iomega Zip 100, Zip 250. See the man page for `scsi2usb` for a complete list of devices supported.

D.2.6 Man Pages Available

- `ohci(7D)`,
- `uhci(7D)`,
- `hubd(7D)`,
- `usb_mid(7D)`,
- `hid(7D)`,
- `scsi2usb(7D)`,
- `usbprn(7D)`,
- `usbkb(7M)`,
- `usbms(7M)`

Glossary

- address** (1) A number used by system software to identify a storage location.
(2) In networking, a unique code that identifies a node to the network.
- ASIC** Application-specific integrated circuit
- Asynchronous** An operation that is not synchronized with the timing of any other part of the system.
- ASP** Authorized service provider
- BIST** Built-in self-test
- boot** To load the system software into memory and start it running.
- boot PROM** In Sun workstations, the boot PROM contains a PROM monitor program, a command interpreter used for booting, resetting, low-level configuring, and simple testing.
- CDE** Common desktop environment
- DIMM** Dual in-line memory module. A small printed circuit card that contains dynamic random-access memory chips.
- DMA** Direct memory address
- DRAM** Dynamic random-access memory. Read/write dynamic memory in which the data can be read or written in approximately the same amount of time for any memory location.
- DTAG** Dual tag or data tag
- DVD** Digital Video Disk
- EEPROM** Electrically erasable programmable read only memory
- EMI** Electromagnetic interference. Electrical characteristic that directly or indirectly contributes to a degradation in performance of an electronic system.
- EPCI** Extended peripheral component interconnect, a 64bit, 66MHz PCI bus

Ethernet	A type of local area network that enables real-time communication between network devices, connected directly together through cables. A widely implemented network from which the IEEE 802.3 standard for contention networks was developed, Ethernet uses a bus topology (configuration) and relies on the form of access known as CSMA/CD to regulate traffic on the main communication line. Network nodes are connected by coaxial cable (in either of two varieties) or by twisted-pair wiring. See also <i>10BASE-T</i> and <i>100BASE-T</i> .
FC-AL	Fiber channel arbitrated loop
FIFO	First-in, first-out
flash PROM	A type of programmable read-only memory (PROM) that can be reprogrammed by a voltage pulse. See also <i>PROM</i> .
Gbyte	Gigabyte, 10^9 bytes
GUI	Graphical user interface
I/O	Input/output
JTAG	An interface from the BootBus Controller that enables testing of the ASICs on the motherboard.
Kbyte	Kilobyte, 10^3 bytes
Leaf	Any node (location in a tree structure) that is farthest from the primary node.
LED	Light-emitting diode
MBps	Megabyte per second
Mbps	Megabit per second
Mbyte	Megabyte, one million bytes
MHz	Megahertz
MII	Media independent interface
Network	A configuration of data processing devices and software connected together for information exchange.
NG-DIMM	Next generation dual inline memory module
Node	An addressable point on a network. Each node in a Sun network has a different name. A node can connect a computing system, a terminal, or various other peripheral devices to the network.
ns	Nanosecond, 10^{-9} seconds

NVRAM	Nonvolatile random-access memory. A type of RAM that retains information when power is removed from the workstation. In Sun systems, contains the system hostID number and Ethernet address.
OpenBoot PROM	OpenBoot PROM. A routine that tests the network controller, diskette drive system, memory, cache, system clock, network monitoring, and control registers.
PCI bus	Peripheral component interconnect bus. A high-performance 32 or 64 bit-wide bus with multiplexed address and data lines.
PCIO	PCI-to-EBus/Ethernet controller. An ASIC that bridges the PCI bus to the EBus, enabling communication between the PCI bus and all miscellaneous I/O functions, as well as the connection to slower on-board functions.
Peripheral assembly	Removable media assembly. Can include a smart card reader, CD-ROM drive, DVD-ROM drive, 4-mm tape drive, a diskette drive, and any other 3.5-inch device.
PID	Process ID
POR	Power on reset
POST	Power on self-test. A series of tests that verify that system board components are operating properly. Initialized at workstation power on or when the workstation is rebooted
PROM	Programmable Read-Only Memory. A type of read-only memory (ROM) that allows data to be written into the device with hardware device called a PROM programmer. After the PROM has been programmed, it is dedicated to that data and cannot be reprogrammed.
SCSI	Small computer system interface.
SRAM	Static random access memory
STP	Shielded twisted-pair
Sun Crossbar Interconnect	A high speed, wide data path, super computing architecture that allows independent and simultaneous connections between major system components.
SunVTS	A diagnostic application designed to test hardware.
Synchronization	The action of forcing certain points in the execution sequences of two or more asynchronous processes to coincide in time.
TIP	A connection that enables a remote terminal window to be used as a terminal to display test data from a system.
TPE	Twisted-pair Ethernet

TOD	Time of day. A timekeeping integrated circuit.
TTL	Transistor-transistor logic
UltraSPARC III	The high performance central processing unit used in the Sun Blade 1000 workstation. This aluminum module uses SPARC V9, 64 bit reduced instruction set computer (RISC) architecture.
UltraSPARC III Cu	The high performance central processing unit used in the Sun Blade 2000 workstation. This copper module uses SPARC V9, 64 bit reduced instruction set computer (RISC) architecture.
UPA	UltraSPARC port architecture. Provides graphics interconnection.
UTP	Unshielded twisted-pair
VCC	Voltage at the common collector (positive [+] electrical connection).
VIS	Visual instruction set
VRMS	Volts root-mean-square
10BASE-T	An evolution of Ethernet technology that succeeded 10BASE5 and 10BASE2 as the most popular method of physical network implementation. A 10BASE-T network has a data transfer rate of 10 megabits per second and uses unshielded twisted-pair wiring with RJ-45 modular telephone plugs and sockets.
100BASE-T	Also known as Fast Ethernet, an Ethernet technology that supports a data transfer rate of 100 megabits per second over special grades of twisted-pair wiring. 100BASE-T uses the same protocol as 10BASE-T. There are three subsets of the 100BASE-T technology: 100BASE-TX defines digital transmission over two pairs of shielded twisted-pair wire. 100BASE-T4 defines digital transmission over four pairs of unshielded twisted-pair wire. 100BASE-TX defines digital transmission over fiber-optic cable.

Index

A

- A and B connector pin assignments
 - serial port, B-6
- Access panel
 - replacing, 9-1
- asynchronous rates
 - serial port, C-36
- audio card
 - connector, C-39
 - features, C-37
 - functional block diagram, C-38
- audio connector, B-17
 - configuration, B-17
 - line assignments, B-17
- audio module assembly
 - removing, 8-28
 - replacing, 8-29
- Automatic Negotiation, C-37

B

- baud rate
 - verifying, 3-4
- BootBus Controller (BBC) ASIC, C-24
- bus PCI, C-27, C-28

C

- cable assembly, combined
 - removing, 6-15

- cable type connectivity
 - TPE, B-16
- cables external
 - Ethernet, C-37
 - SCSI, C-42
- card PCI, C-27, C-28
- CD-ROM drive failure, 4-5
- chassis foot
 - removing, 6-29
 - replacing, 6-30
- components
 - serial port, C-34
- Configuration Memory, C-12
- Configuration Rules, C-6
- Configuration Rules Memory Module, C-13
- connector
 - audio, B-17
 - audio card, C-39
 - configuration, audio, B-17
 - configuration, FC-AL, B-17
 - FC-AL, B-17
 - graphics card, B-18
 - parallel port, B-12
 - pin assignments
 - graphics card, B-18
 - IEEE 1394, B-14
 - parallel port, B-12
 - TPE, B-15
 - TPE, B-15
 - Ultra SCSI, B-7
- connector J1801
 - pin configuration, B-21

- connector J2001
 - pin configuration, B-6
- connector J2202
 - pin configuration, B-7, B-12
- connector J2901
 - pin configuration, B-25
- connector J2902
 - pin configuration, B-17
- connector J3001
 - pin configuration, B-13
- connector J3002
 - pin configuration, B-13
- connector J3201
 - pin configuration, B-14
- connector J3203
 - pin configuration, B-14
- connector J3302
 - pin description, B-4
 - power to PCI fan, B-2
- connector J3303
 - power to CPU fan, B-2
- connector J3601
 - power supply, B-3
- connector J3602
 - pin description, B-5
 - power, combined cable assembly, B-2
- connector J3603
 - power supply, B-2
- connector J3604
 - pin configuration, B-19
- connector J3605
 - pin configuration, B-26
- connector J3608
 - pin configuration, B-5
 - power, peripheral cable assembly, B-2
- connector J5002
 - pin configuration, B-24
- connector J5301
 - pin configuration, B-15
- connector pin assignments
 - Ultra SCSI, B-8
- connector pin configuration
 - graphics card, B-18
- control signals
 - power supply, C-43
- CPU module

- removing, 8-6
- replacing, 8-12
- CPU shroud assembly
 - removing, 8-40
 - replacing, 8-41

D

- description
 - functional, C-1
 - product, 1-1
 - signal, B-1
 - SunVTS, 2-1
- diag-level
 - variable set to min (2-way CPU configuration), 3-6, 3-30
 - variable set to min (single CPU configuration), 3-6
 - variable set to min (single CPU configuration), 3-30
- diagnostics
 - OBP on-board, 4-8
 - watch-clock, 4-9
- DIMM
 - failure, 4-8
 - removing, 8-30
 - replacing, 8-32
- disk drive failure, 4-5
- diskette
 - drive, C-30
 - port, C-32
- diskette drive
 - cable assembly
 - removing, 6-11
 - replacing, 6-12
 - removing and replacing, 7-9
 - SuperI/O interface, C-30
- diskette port
 - functional block diagram, C-32
- document organization, -xxxvi
- drive
 - diskette, C-30
- DVD-ROM drive
 - removing and replacing, 7-5
- DVD-ROM drive or tape drive
 - replacing, 7-6

E

- EBus DMA/TCR registers
 - output message, 4-18
- EIA levels
 - serial port, C-35
- electrical characteristics
 - parallel port, C-33
- electrical specifications, A-2
- electrostatic discharge
 - safety precautions, 5-4
- enclosure
 - basics, C-50
 - features, C-50
- environmental
 - requirements, A-3
- error reporting, POST, 3-50
- Ethernet, C-36
 - external cables, C-37
- Ethernet diagnostic
 - output message, 4-18
- external cables
 - parallel port, C-33
- external UTP-5 cable lengths, B-16

F

- failure
 - CD-ROM drive, 4-5
 - DIMM, 4-8
 - disk drive, 4-5
 - power on, 4-2
 - video output, 4-3
- fan assembly
 - removing, 6-21
 - replacing, 6-22
- fan bracket
 - removing, 6-23
 - replacing, 6-24
- FC-AL
 - connector, B-17
 - connector, configuration, B-17
- FC-AL backplane assembly
 - removing, 6-27
- FC-AL Disk Controller, C-28
- features

- audio card, C-37
- enclosure, C-50
- filler panel
 - removing, 6-31
 - replacing, 6-32
- firewire diagnostic
 - output message, 4-19
- flash PROM
 - jumper settings, C-49
 - jumpers, C-48
- flash PROM diagnostic
 - output message, 4-19
- floppy diagnostic
 - output message, 4-19
- functional
 - description, C-1
- functional block diagram
 - audio card, C-38
 - diskette port, C-32
 - keyboard and mouse, C-32
 - parallel port, C-32
 - system, C-3
 - UltraSPARC III, C-5
- functional description
 - system, C-1
- functions
 - serial port, C-35

G

- Graphics and PCI Card Options, C-29
- graphics card, 4-9
 - connector, B-18
 - connector pin assignments, B-18
 - connector pin configuration, B-18
 - diagnostic, 4-12
 - removing, 8-25
 - replacing, 8-26

H

- hard drive
 - removing, 7-2
 - replacing, 7-3
- host adapter, SCSI, C-41

how this book is organized, -xxxv

I

- I2C diagnostic
 - output message, 4-21
- I2C output message with TIP line diagnostic, 4-20
- identification, internal drives, 4-5
- identifying
 - jumper pins, C-48
- IEEE 1394
 - connector pin assignments, B-14
- initializing POST, 3-4
- interlock circuit
 - power, 5-8
- interlock switch assembly
 - removing, 6-19
 - replacing, 6-20
- internal
 - drives identification, 4-5
- Interrupts, C-22

J

- jumper pins
 - identifying, C-48
- jumper settings
 - flash PROM, C-49
 - selected, C-47
- jumper
 - flash PROM, C-48

K

- keyboard and mouse, C-31
 - functional block diagram, C-32
 - port, C-32

L

- line assignments
 - audio connector, B-17
- lithium battery

- safety precautions, 5-4
- location
 - Lock block, 9-3
 - lock block, 5-7
 - system power switch, 9-5

Lock block

- location, 9-3

lock block

- location, 5-7

Logically Removing the Smart Card Reader, 7-6

M

- main memory
 - system, C-9
- major subassemblies
 - removing and replacing, 6-1
- mapping
 - PCI slot to PCI bus, C-28
- maximum level of POST, 3-5
- Memory Configuration, C-12
- Memory Module Configuration Rules, C-13
- Memory System, C-13
- Memory Timing, C-16
- Memory Timing Values, C-17
- minimum level of POST, 3-5
- modification to equipment
 - safety precautions, 5-3
- motherboard
 - removing, 8-36
 - removing and replacing, 8-1
 - replacing, 8-38

N

- network
 - output message diagnostic, 4-21
- ng, 7-2

O

- OBDiags, 4-13
- OBP on-board diagnostics, 4-8
- probe-SCSI, 4-10

- probe-SCSI-all, 4-10
 - selected tests, 4-12
 - watch-clock, 4-9
 - watch-net, 4-9
 - watch-net-all, 4-9
 - OpenBoot diagnostics, 4-13
 - operation
 - SunVTS, 2-2
 - options
 - peripheral assembly, C-31
 - output message
 - EBus DMA/TCR registers, 4-18
 - Ethernet diagnostic, 4-18
 - firewire diagnostic, 4-19
 - flash PROM diagnostic, 4-19
 - floppy diagnostic, 4-19
 - I2C diagnostic, 4-21
 - I2C with TIP line diagnostic, 4-20
 - pmc diagnostic, 4-22
 - probe-scsi all diagnostic, 4-11
 - rtc diagnostic, 4-22
 - test diagnostic, 4-11
 - watch-clock diagnostic, 4-9
 - watch-net all diagnostic, 4-10
 - watch-net diagnostic, 4-9
 - output message diagnostic
 - network, 4-21
 - output values
 - power supply, C-43
 - overview
 - SunVTS, 2-1
- P**
- parallel port, C-33
 - connector, B-12
 - connector pin assignments, B-12
 - electrical characteristics, C-33
 - external cables, C-33
 - functional block diagram, C-32
 - PCI
 - bus, C-27, C-28
 - card, C-27, C-28
 - slot to PCI bus mapping, C-28
 - PCI card
 - removing, 8-20
 - replacing, 8-22
 - universal, C-27
 - peripheral assembly
 - options, C-31
 - removing, 7-3
 - removing and replacing, 7-4
 - peripheral power cable assembly
 - removing, 6-7
 - replacing, 6-8
 - peripherals, C-29
 - physical specifications, A-1
 - physical specifications, system, A-1
 - pin assignments
 - USB Connector, B-14
 - pin configuration
 - connector J1801, B-21
 - connector J2001, B-6
 - connector J2202, B-7, B-12
 - connector J2901, B-25
 - connector J2902, B-17
 - connector J3001, B-13
 - connector J3002, B-13
 - connector J3201, B-14
 - connector J3203, B-14
 - connector J3604, B-19
 - connector J3605, B-26
 - connector J3608, B-5
 - connector J5002, B-24
 - connector J5301, B-15
 - USB Connector, B-13
 - pin description, B-2
 - connector J3302, B-4
 - connector J3601
 - power supply, B-3
 - connector J3602, B-5
 - placement of Sun product
 - safety precautions, 5-3
 - pmc diagnostic
 - output message, 4-22
 - port
 - diskette, C-32
 - keyboard and mouse, C-32
 - parallel, C-33
 - serial, C-34
 - POST
 - error reporting, 3-50
 - initializing, 3-4
 - maximum level, 3-5

- minimum level, 3-5
 - progress reporting, 3-50
- power
 - interlock circuit, 5-8
- power cord connection
 - safety precautions, 5-3
- Power Management, C-51
- Power Management Subsystems, C-52
- power on
 - failure, 4-2
 - self-test, 3-1
- power on, remote enable
 - power supply, C-44
- power supply
 - connector J2903, 4-8
 - connector J3601, B-3
 - pin description, B-3
 - connector J3603, B-2
 - pin description, B-2
 - control signals, C-43
 - output values, C-43
 - remote enable, power on, C-44
- power supply assembly
 - removing, 6-1
 - replacing, 6-4
- power switch
 - system, 5-6
- power switch assembly
 - removing, 6-5
 - replacing, 6-6
- pre-POST preparation, 3-2
 - setting up Tip connection, 3-2
 - verifying baud rate, 3-4
- probe
 - SCSI, 4-10
 - SCSI-all, 4-10
- probe scsi all diagnostic
 - output message, 4-11
- probe-SCSI, 4-9
- probe-SCSI-all, 4-9
- procedures
 - troubleshooting, 4-1
- processor
 - UltraSPARC III, C-4
- product
 - description, 1-1

- specifications, A-1
- progress reporting
 - POST, 3-50

R

- removing
 - audio module assembly, 8-28
 - cable assembly
 - diskette drive, 6-11
 - chassis foot, 6-29
 - combined cable assembly, 6-15
 - CPU module, 8-6
 - CPU shroud assembly, 8-40
 - DIMM, 8-30
 - DVD-ROM drive, 7-5
 - fan assembly, 6-21
 - fan bracket, 6-23
 - FC-AL backplane assembly, 6-27
 - filler panel, 6-31
 - graphics card, 8-25
 - hard drive, 7-2
 - interlock switch assembly, 6-19
 - motherboard, 8-36
 - PCI card, 8-20
 - peripheral assembly, 7-3
 - peripheral power cable assembly, 6-7
 - power supply assembly, 6-1
 - power switch assembly, 6-5
 - speaker assembly, 6-25
 - tape drive, 7-5
- removing and replacing
 - diskette drive, 7-9
 - DVD-ROM drive, 7-5
 - major subassemblies, 6-1
 - motherboard, 8-1
 - peripheral assembly, 7-4
 - smart card reader, 7-8
 - storage devices, 7-1
- replaceable components
 - system unit, 1-10
- replacing
 - Access panel, 9-1
 - audio module assembly, 8-29
 - cable assembly
 - diskette drive, 6-12
 - chassis foot, 6-30

- CPU module, 8-12
- CPU shroud assembly, 8-41
- DIMM, 8-32
- fan assembly, 6-22
- fan bracket, 6-24
- filler panel, 6-32
- graphics card, 8-26
- hard drive, 7-3
- interlock switch assembly, 6-20
- motherboard, 8-38
- PCI card, 8-22
- peripheral power cable assembly, 6-8
- power supply assembly, 6-4
- power switch assembly, 6-6
- speaker assembly, 6-26
- replacing DVD-ROM drive or tape drive, 7-6
- required
 - tools, 5-5
- requirements
 - environmental, A-3
 - safety, 5-2
- rtc output message diagnostic, 4-22
- Rules Configuration, C-6

S

- safety
 - requirements, 5-2
 - symbols, 5-2
- safety precautions
 - electrostatic discharge, 5-4
 - lithium battery, 5-4
 - modification to equipment, 5-3
 - placement of Sun product, 5-3
 - power cord connection, 5-3
- SCSI, C-41
 - external cables, C-42
 - supported target devices, C-42
- SCSI, host adapter, C-41
- selected
 - jumper settings, C-47
- serial port, C-34
 - A and B connector pin assignments, B-6
 - asynchronous rates, C-36
 - components, C-34
 - EIA levels, C-35
 - functions, C-35
 - slew rate, C-36
 - synchronous rates, C-35
- setting up a Tip connection, 3-2
- shell prompts, -xxxviii
- signal descriptions, B-1
- smart card reader
 - removing and replacing, 7-8
- Smart Card Reader Connector, B-19
- speaker assembly
 - removing, 6-25
 - replacing, 6-26
- specifications
 - electrical, A-2
 - physical, A-1
 - product, A-1
- storage devices
 - removing and replacing, 7-1
- Subsystems Power Management, C-52
- Sun Expert 3D and Expert 3D-Lite Graphics Cards, C-29
- SunVTS
 - description, 2-1
 - operation, 2-2
 - overview, 2-1
 - references, 2-2
 - requirements, 2-2
- SuperI/O, C-42
 - diskette drive interface, C-30
- supported target devices
 - SCSI, C-42
- synchronous rates
 - serial port, C-35
- symbols
 - safety, 5-2
- system
 - functional block diagram, C-3
 - functional description, C-1
 - main memory, C-9
 - physical specifications, A-1
 - power switch, 5-6
- System Memory, C-13
- system power switch
 - location, 9-5
- System Requirements for the UltraSPARC III 600 MHz CPU Modules, C-6

- System Requirements for the UltraSPARC III 750 MHz CPU Modules, C-7
- System Requirements for the UltraSPARC III 900 MHz CPU Modules, C-8
- System Requirements for the UltraSPARC III Cu CPU Modules, C-9
- system unit
 - replaceable components, 1-10

T

- tape drive, 7-5
 - removing, 7-5
- Test alias name, 4-9
- test diagnostic
 - output message, 4-11
- Timing Memory, C-16
- Timing Values Memory, C-17
- Tip connection
 - setting up, 3-2
- tools required, 5-5
- TPE
 - cable type connectivity, B-16
 - connector, B-15
 - connector pin assignments, B-15
- troubleshooting procedures, 4-1
- typographic conventions, -xxxvii

U

- Ultra SCSI
 - connector, B-7
 - connector pin assignments, B-8
- UltraSPARC III processor, C-4
 - function block diagram, C-5
- universal PCI card, C-27
- UNIX commands, -xxxvii
- UPA, C-27
- USB Connector
 - pin assignments, B-14
 - pin configuration, B-13

V

- verifying baud rate, 3-4
- video output failure, 4-3

W

- watch-net, 4-9
- watch-clock
 - diagnostics, 4-9
- watch-clock diagnostic
 - output message, 4-9
- watch-net all diagnostic
 - output message, 4-10
- watch-net diagnostic
 - output message, 4-9
- watch-net-all, 4-9