



Netra™ CP2080 CompactPCI Board Read Me First

Sun Microsystems, Inc.
4150 Network Circle
Santa Clara, CA 95054 U.S.A.
650-960-1300

Part No. 816-0853-12
January 2002, Revision A

Send comments about this document to: docfeedback@sun.com

Copyright 2002 Sun Microsystems, Inc., 901 San Antonio Road, Palo Alto, CA 94303-4900 U.S.A. All rights reserved.

This product or document is distributed under licenses restricting its use, copying, distribution, and decompilation. No part of this product or document may be reproduced in any form by any means without prior written authorization of Sun and its licensors, if any. Third-party software, including font technology, is copyrighted and licensed from Sun suppliers.

Parts of the product may be derived from Berkeley BSD systems, licensed from the University of California. UNIX is a registered trademark in the U.S. and other countries, exclusively licensed through X/Open Company, Ltd.

Sun, Sun Microsystems, the Sun logo, AnswerBook2, docs.sun.com, Netra, OpenBoot, and Solaris are trademarks, registered trademarks, or service marks of Sun Microsystems, Inc. in the U.S. and other countries. All SPARC trademarks are used under license and are trademarks or registered trademarks of SPARC International, Inc. in the U.S. and other countries. Products bearing SPARC trademarks are based upon an architecture developed by Sun Microsystems, Inc.

The OPEN LOOK and Sun™ Graphical User Interface was developed by Sun Microsystems, Inc. for its users and licensees. Sun acknowledges the pioneering efforts of Xerox in researching and developing the concept of visual or graphical user interfaces for the computer industry. Sun holds a non-exclusive license from Xerox to the Xerox Graphical User Interface, which license also covers Sun's licensees who implement OPEN LOOK GUIs and otherwise comply with Sun's written license agreements.

Federal Acquisitions: Commercial Software—Government Users Subject to Standard License Terms and Conditions.

DOCUMENTATION IS PROVIDED “AS IS” AND ALL EXPRESS OR IMPLIED CONDITIONS, REPRESENTATIONS AND WARRANTIES, INCLUDING ANY IMPLIED WARRANTY OF MERCHANTABILITY, FITNESS FOR A PARTICULAR PURPOSE OR NON-INFRINGEMENT, ARE DISCLAIMED, EXCEPT TO THE EXTENT THAT SUCH DISCLAIMERS ARE HELD TO BE LEGALLY INVALID.

Copyright 2002 Sun Microsystems, Inc., 901 San Antonio Road, Palo Alto, CA 94303-4900 Etats-Unis. Tous droits réservés.

Ce produit ou document est distribué avec des licences qui en restreignent l'utilisation, la copie, la distribution, et la décompilation. Aucune partie de ce produit ou document ne peut être reproduite sous aucune forme, par quelque moyen que ce soit, sans l'autorisation préalable et écrite de Sun et de ses bailleurs de licence, s'il y en a. Le logiciel détenu par des tiers, et qui comprend la technologie relative aux polices de caractères, est protégé par un copyright et licencié par des fournisseurs de Sun.

Des parties de ce produit pourront être dérivées des systèmes Berkeley BSD licenciés par l'Université de Californie. UNIX est une marque déposée aux Etats-Unis et dans d'autres pays et licenciée exclusivement par X/Open Company, Ltd.

Sun, Sun Microsystems, le logo Sun, AnswerBook2, docs.sun.com, Netra, OpenBoot, et Solaris sont des marques de fabrique ou des marques déposées, ou marques de service, de Sun Microsystems, Inc. aux Etats-Unis et dans d'autres pays. Toutes les marques SPARC sont utilisées sous licence et sont des marques de fabrique ou des marques déposées de SPARC International, Inc. aux Etats-Unis et dans d'autres pays. Les produits portant les marques SPARC sont basés sur une architecture développée par Sun Microsystems, Inc.

L'interface d'utilisation graphique OPEN LOOK et Sun™ a été développée par Sun Microsystems, Inc. pour ses utilisateurs et licenciés. Sun reconnaît les efforts de pionniers de Xerox pour la recherche et le développement du concept des interfaces d'utilisation visuelle ou graphique pour l'industrie de l'informatique. Sun détient une licence non exclusive de Xerox sur l'interface d'utilisation graphique Xerox, cette licence couvrant également les licenciés de Sun qui mettent en place l'interface d'utilisation graphique OPEN LOOK et qui en outre se conforment aux licences écrites de Sun.

LA DOCUMENTATION EST FOURNIE “EN L'ETAT” ET TOUTES AUTRES CONDITIONS, DECLARATIONS ET GARANTIES EXPRESSES OU TACITES SONT FORMELLEMENT EXCLUES, DANS LA MESURE AUTORISEE PAR LA LOI APPLICABLE, Y COMPRIS NOTAMMENT TOUTE GARANTIE IMPLICITE RELATIVE A LA QUALITE MARCHANDE, A L'APTITUDE A UNE UTILISATION PARTICULIERE OU A L'ABSENCE DE CONTREFAÇON.



Netra CP2080 CompactPCI Board Read Me First

This *Read Me First* document is written for users of the Netra™ CP2080 CompactPCI Host/Satellite board. The Netra CP2080 CompactPCI host/satellite board is a crucial building block that network equipment providers (NEPs) can use when scaling and improving the availability of next-generation, carrier-grade systems. Based on industry standards, it provides a low-cost solution easily customized for satellite processing.

Information on hardware, software, firmware, documentation, and patches for this product is located at the product website:

<http://www.sun.com/microelectronics/commprovider/cp2080/details.html>

Note – Do not install the XCP2060-TRN transition card before reading the *XCP2060-TRN I/O Transition Card Read Me First for Netra CP2060/CP2080 CompactPCI Boards* (part no. 816-0250-xx).

Check the Contents of Your Shipment

Be sure to check the contents of your package against the packing list on your box.

Please keep the Sun™ packaging as this will be required for the return of any failed units for repair. If any of the items are missing or damaged, contact your authorized Sun representative indicated in the section “Technical Support” on page 4. This document is shipped with the following CP2080 board assembly (see FIGURE 1):

- Assembly, CP2080S-500 (part no. 375-3023-xx)

A Certificate of Paid Royalty for Embedded Use of Solaris™ Operating Environment is included (part no. 816-2663-xx).

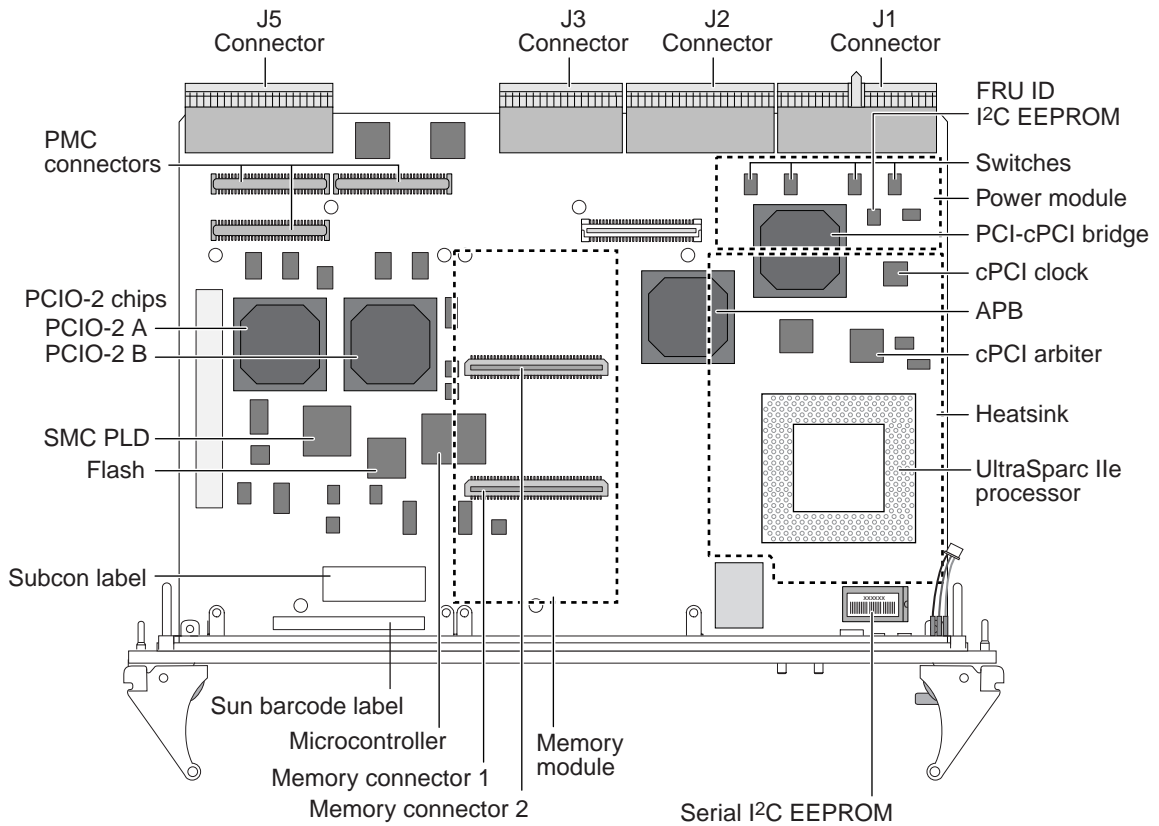


FIGURE 1 Illustration of a Typical CP2080 Board

Note – The Netra CP2080 board illustration in FIGURE 1 of this document supersedes the illustration shown in Chapter 3 in the *Netra CP2060/CP2080 Technical Reference and Installation Manual* (part no. 806-6658-xx).

Some key components such as the heatsink and the power module are shown as dotted lines in FIGURE 1 so as to better illustrate the components on the board that lie below these devices.

Safety Considerations

For information on safety considerations, refer to the *Netra CP2060 and CP2080 Technical Reference and Installation Manual* (part no. 806-6658-xx). This document can be found at the product website.

Software Information

The Solaris 8 1/01 operating environment and compatible versions are supported by the CP2060 board. The *CP 2000 Supplemental CD 3.1 for Solaris 8* (part no. 704-7710-xx) contains additional features for the CP2060 board, such as satellite hot swap support. For information on how to obtain the CD, please refer to the product website.

Hardware Information

This section provides information current at the time the CP2080 board was shipped.

The CPU module, the heatsink, the power module, and the front panel are an integral part of the CP2080 board. Any attempt to remove these components from the board will void your warranty. Please see the *Netra CP2060 and CP2080 Technical Reference and Installation Manual* (part no. 806-6658-xx) to determine the location of these components.

Related Documentation

Please refer to the *Netra CP2060 and CP2080 Technical Reference and Installation Manual* (part no. 806-6658-xx) for comprehensive technical details. The manual can be downloaded from the product website.

Technical Support

If you have any technical questions or issues that are not addressed in the Netra CP2080 board documentation set or on the website, contact your local Sun Enterprise Services. For customers in the U.S. or Canada, please call 1-800-USA-4SUN (1-800-872-4786). For customers in the rest of the world, find the World Wide Solution Center nearest you by visiting our website:

<http://www.sun.com/service/contacting/solution.html>

When you call Enterprise Services, be sure to indicate that the Netra CP2080 board was purchased separately and is not associated with a system. Please have the board identification information ready (see FIGURE 2). The CP2080 board part number, serial number, and revision can be found on the board labels. For proper identification of the board, please see the list below and FIGURE 2. The Sun Microsystems™ barcode label provides the following information:

The Sun barcode label provides the following information:

- Board part number (for example, 3753023) which is the first seven digits on the barcode label.
- Board serial number (for example, 005609) which is the next six digits on the barcode label.

The Subcon label provides the following information:

- Product part number (for example, 5762), product dash (for example, 02) and revision number (for example REV 57).
- Board date code (for example, 03/2001) which represents the third week of year 2001.
- Country of origin (for example, ASSEMBLED IN CANADA)

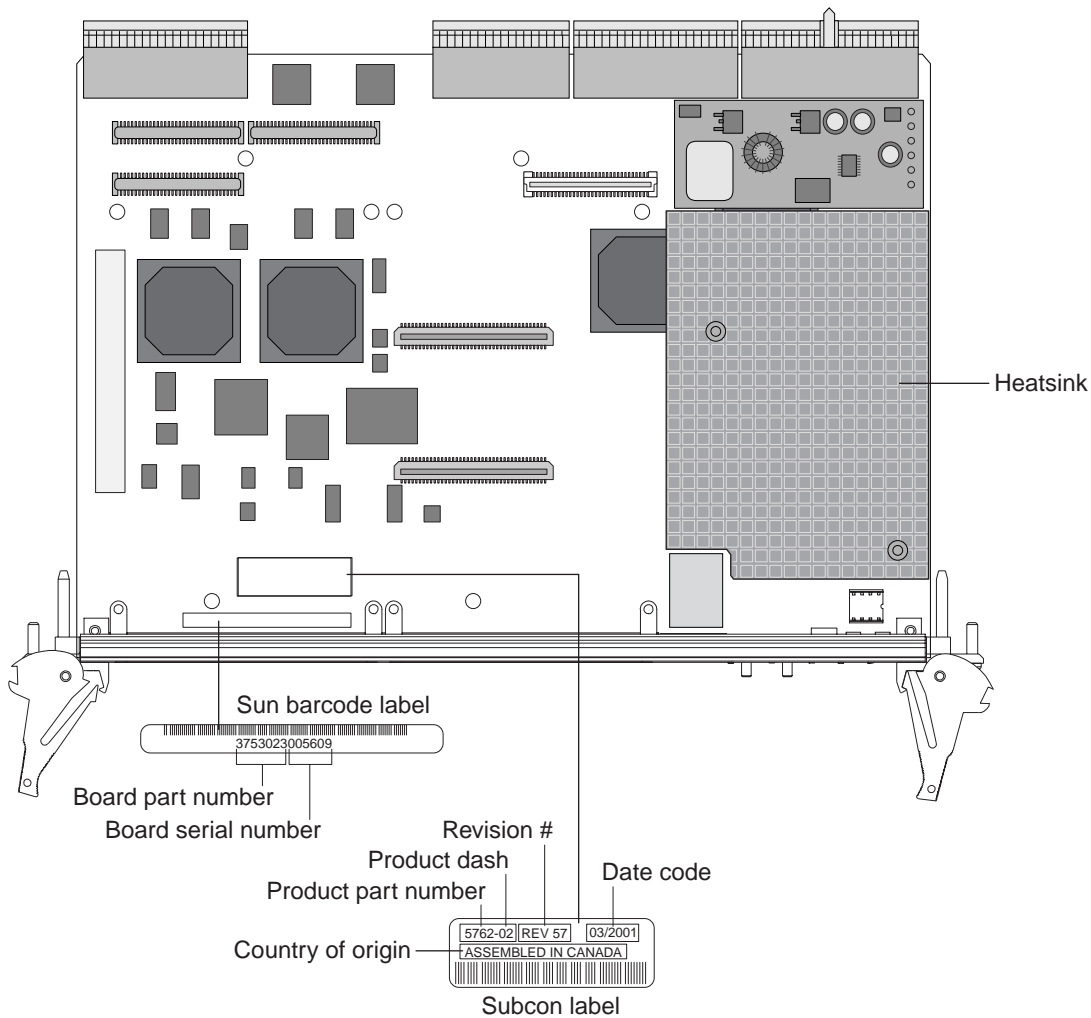


FIGURE 2 Labeling on a Typical CP2080 Board

Before Returning Your CP2080 Board to Sun Enterprise Services Or World Wide Solution Center

You *must* get Return Material Authorization (RMA) numbers from Sun Enterprise Services or the World Wide Solution Center for each part you intend to return.

Note – If Sun Enterprise Services asks for a system serial number, be sure to indicate that the board was purchased separately and is not associated with a system. Identify the product by part number as indicated in the section above.

Sun Enterprise Services will give you specific details on the return procedure for your geographic area. In addition, follow these guidelines in packaging the hardware and addressing the package.

- Take electrostatic discharge (ESD) precautions while handling the board:
 - Handle the board only by the nonconducting edges.
 - Do not touch the components or any metal parts.
 - Always wear a grounding wrist strap when handling the board and be sure the wrist strap is connected to ground.
- Please use the original or equivalent packaging material to return the failed part.
- Make sure the RMA number is on the box containing the part. The outermost box needs to have the RMA number and the part number of its primary contents and the following: destination address, source address, for international shipments, Sun Enterprise Services shipping number to expedite handling in customs.
- Remove and retain the Serial EEPROM. The Serial EEPROM holds specific network address data. It may also hold configuration data specific to your installation. You must remove the Serial EEPROM before you return the CP2080 board (see the section “Replacing the Serial EEPROM” on page 7).
- Remove and retain the memory modules. You must remove the one/two memory modules before you return the CP2080 board (see the *Memory Module Installation/Removal Guide for Netra™ 2000 Series cPCI Boards*, part no. 816-0854-xx and the *1GB Memory Module Installation and Removal Guide For Netra CP2000 Series CompactPCI Boards*, part no. 816-2917-xx, for instructions) and install it/them on the replaced board.

Replacing the Serial EEPROM

The Serial I²C EEPROM is the MAC address carrier and it stores the backup copy of the board MAC address and Host ID information (see FIGURE 1). The CP2080 board supports the Serial I²C EEPROM. *If you need to replace the CP2080 board, remove the Serial I²C EEPROM from the original board and install it on the new CP2080 board. To correctly position the host ID board and to precisely install it on the CP2080 board, see *Netra CP2060/CP2080 Technical Reference and Installation Manual* (part no. 806-6658-xx).*

