



XCP2060-TRN I/O Transition Card Product Note

for Netra™ CP2060/CP2080/CP2160
CompactPCI Boards

Sun Microsystems, Inc.
4150 Network Circle
Santa Clara, CA 95054 U.S.A.
650-960-1300

Part No. 816-0250-11
December 2002, Revision A

Send comments about this document to: docfeedback@sun.com

Copyright 2002 Sun Microsystems, Inc., 4150 Network Circle, Santa Clara, California 95054, U.S.A. All rights reserved.

Sun Microsystems, Inc. has intellectual property rights relating to technology embodied in the product that is described in this document. In particular, and without limitation, these intellectual property rights may include one or more of the U.S. patents listed at <http://www.sun.com/patents> and one or more additional patents or pending patent applications in the U.S. and in other countries.

This document and the product to which it pertains are distributed under licenses restricting their use, copying, distribution, and decompilation. No part of the product or of this document may be reproduced in any form by any means without prior written authorization of Sun and its licensors, if any.

Third-party software, including font technology, is copyrighted and licensed from Sun suppliers.

Parts of the product may be derived from Berkeley BSD systems, licensed from the University of California. UNIX is a registered trademark in the U.S. and in other countries, exclusively licensed through X/Open Company, Ltd.

Sun, Sun Microsystems, the Sun logo, AnswerBook2, docs.sun.com, Netra and Solaris are trademarks or registered trademarks of Sun Microsystems, Inc. in the U.S. and in other countries.

All SPARC trademarks are used under license and are trademarks or registered trademarks of SPARC International, Inc. in the U.S. and in other countries. Products bearing SPARC trademarks are based upon an architecture developed by Sun Microsystems, Inc.

The OPEN LOOK and Sun™ Graphical User Interface was developed by Sun Microsystems, Inc. for its users and licensees. Sun acknowledges the pioneering efforts of Xerox in researching and developing the concept of visual or graphical user interfaces for the computer industry. Sun holds a non-exclusive license from Xerox to the Xerox Graphical User Interface, which license also covers Sun's licensees who implement OPEN LOOK GUIs and otherwise comply with Sun's written license agreements.

U.S. Government Rights—Commercial use. Government users are subject to the Sun Microsystems, Inc. standard license agreement and applicable provisions of the FAR and its supplements.

DOCUMENTATION IS PROVIDED "AS IS" AND ALL EXPRESS OR IMPLIED CONDITIONS, REPRESENTATIONS AND WARRANTIES, INCLUDING ANY IMPLIED WARRANTY OF MERCHANTABILITY, FITNESS FOR A PARTICULAR PURPOSE OR NON-INFRINGEMENT, ARE DISCLAIMED, EXCEPT TO THE EXTENT THAT SUCH DISCLAIMERS ARE HELD TO BE LEGALLY INVALID.

Copyright 2002 Sun Microsystems, Inc., 4150 Network Circle, Santa Clara, California 95054, Etats-Unis. Tous droits réservés.

Sun Microsystems, Inc. a les droits de propriété intellectuelle relatants à la technologie incorporée dans le produit qui est décrit dans ce document. En particulier, et sans la limitation, ces droits de propriété intellectuelle peuvent inclure un ou plus des brevets américains énumérés à <http://www.sun.com/patents> et un ou les brevets plus supplémentaires ou les applications de brevet en attente dans les Etats-Unis et dans les autres pays.

Ce produit ou document est protégé par un copyright et distribué avec des licences qui en restreignent l'utilisation, la copie, la distribution, et la décompilation. Aucune partie de ce produit ou document ne peut être reproduite sous aucune forme, par quelque moyen que ce soit, sans l'autorisation préalable et écrite de Sun et de ses bailleurs de licence, s'il y en a.

Le logiciel détenu par des tiers, et qui comprend la technologie relative aux polices de caractères, est protégé par un copyright et licencié par des fournisseurs de Sun.

Des parties de ce produit pourront être dérivées des systèmes Berkeley BSD licenciés par l'Université de Californie. UNIX est une marque déposée aux Etats-Unis et dans d'autres pays et licenciée exclusivement par X/Open Company, Ltd.

Sun, Sun Microsystems, le logo Sun, AnswerBook2, docs.sun.com, Netra et Solaris sont des marques de fabrique ou des marques déposées de Sun Microsystems, Inc. aux Etats-Unis et dans d'autres pays.

Toutes les marques SPARC sont utilisées sous licence et sont des marques de fabrique ou des marques déposées de SPARC International, Inc. aux Etats-Unis et dans d'autres pays. Les produits portant les marques SPARC sont basés sur une architecture développée par Sun Microsystems, Inc.

L'interface d'utilisation graphique OPEN LOOK et Sun™ a été développée par Sun Microsystems, Inc. pour ses utilisateurs et licenciés. Sun reconnaît les efforts de pionniers de Xerox pour la recherche et le développement du concept des interfaces d'utilisation visuelle ou graphique pour l'industrie de l'informatique. Sun détient une licence non exclusive de Xerox sur l'interface d'utilisation graphique Xerox, cette licence couvrant également les licenciées de Sun qui mettent en place l'interface d'utilisation graphique OPEN LOOK et qui en outre se conforment aux licences écrites de Sun.

LA DOCUMENTATION EST FOURNIE "EN L'ÉTAT" ET TOUTES AUTRES CONDITIONS, DECLARATIONS ET GARANTIES EXPRESSES OU TACITES SONT FORMELLEMENT EXCLUES, DANS LA MESURE AUTORISEE PAR LA LOI APPLICABLE, Y COMPRIS NOTAMMENT TOUTE GARANTIE IMPLICITE RELATIVE A LA QUALITE MARCHANDE, A L'APTITUDE A UNE UTILISATION PARTICULIERE OU A L'ABSENCE DE CONTREFAÇON.



Adobe PostScript

Contents

Check the Contents of Your XCP2060-TRN I/O Transition Card Shipment	2
Notes of Caution	2
Safety Considerations	4
Software Information	4
Hardware Information	5
Related Documentation	5
Technical Support	5

XCP2060-TRN I/O Transition Card Product Note

This product note document is written for users of the XCP2060-TRN I/O Transition Card. The XCP2060-TRN I/O Transition Card works with the Netra™ CP2060/CP2080/CP2160 range of CompactPCI boards.

The 6U form factor, single-slot transition card supplies rear I/O connection to support additional peripherals with simplified system cabling for use with the compatible CompactPCI system host boards. The rear I/O access also enables the complementary system host boards to be replaced without disconnecting cables. Industry-standard connectors and pin assignments ensure ease of use and flexible design. The XCP2060-TRN I/O Transition Card enables the creation of high-density systems by enabling easy access to I/O.

Information on hardware, software, firmware, documentation, and patches for this product is located at the product web site:

<http://www.sun.com/products-n-solutions/nep/hardware/boards/>

For a feature list and technical details on the XCP2060-TRN I/O Transition Card, see the *XCP2060-TRN I/O Transition Card Manual for Netra CP2060/CP2080/CP2160 CompactPCI Boards* (806-6203-xx). The most recent versions of Netra board documentation are available at:

http://www.sun.com/products-n-solutions/hardware/docs/CPU_Boards

Check the Contents of Your XCP2060-TRN I/O Transition Card Shipment

Be sure to check the contents of your package. An XCP2060-TRN I/O Transition Card (375-0120-xx) may be used with the following CP2060/CP2080/CP2160 board assemblies:

- Assembly, CP2060S-500 (375-3021-xx)
- Assembly, CP2080S-500 (375-3023-xx)
- Assembly, CP2160S-650 (375-3129-xx)

Please keep the Sun packaging as this will be required for the return of any failed units for repair. If any of the items are missing or damaged, contact your local sales representative or field applications engineer (FAE).

Notes of Caution

1. The XCP2060-TRN I/O Transition Card part number, date code, and revision number are identified on board labels. See FIGURE 2 in the section “Technical Support” on page 5 for the label locations. Before installing the transition card, its board part number (for example, 3750120) must be verified to ensure that the correct transition card is being installed into the CompactPCI system.
2. Ensure that the XCP2060-TRN I/O Transition Card is perpendicular to the backplane when it is connected to the backplane pins. Careless vertical or angular positioning during board insertion can result in damage to the backplane and subsequent electrical destruction of the transition card and the corresponding Netra host board. See FIGURE 1 for an illustration of how to properly align the transition card with the backplane connectors.

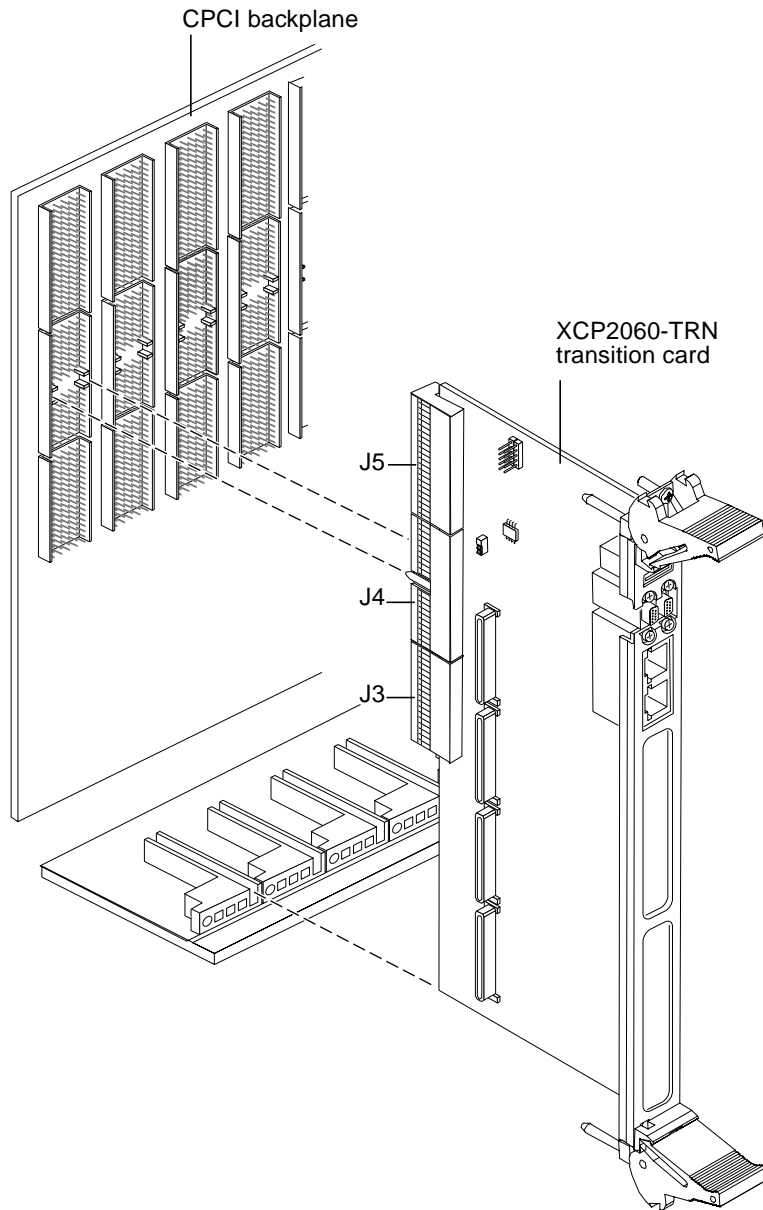


FIGURE 1 Alignment of Transition Card and Backplane during Installation

Safety Considerations

For general safety information, refer to *Important Safety Information for Sun Hardware Systems*, 816-7190-xx.

For information on board-specific safety requirements, refer to the *Netra CP2060 and CP2080 Technical Reference and Installation Manual* (806-6658-xx) and *Netra CP2160 CompactPCI Board Installation and Technical Reference Manual* (816-5772-xx). Copies can be found at the following documentation web site:

http://www.sun.com/products-n-solutions/hardware/docs/CPU_Boards

Follow these guidelines when installing an XCP2060-TRN I/O transition card to avoid injury to yourself or damage to the system:

- The XCP2060-TRN I/O Transition Card installation procedure must be performed only by qualified technicians.
- Before installing or removing the XCP2060-TRN I/O Transition Card, turn the power on the CompactPCI system off. However, if the CompactPCI system is on and running, the XCP2060-TRN I/O Transition Card should be inserted *first*, followed by the mating CP2060/CP2080/CP2160 board.

Software Information

This section provides information that may affect software operation.

The XCP2060-TRN I/O Transition Card is designed to support the Netra CP2060/CP2080/CP2160 host board. It therefore supports the software supported by the host boards. Refer to the *Netra CP2060 and CP2080 Technical Reference Manual and Installation Guide* (806-6658-xx) and the *Netra CP2160 CompactPCI Board Installation and Technical Reference Manual* (816-5772-xx) for host board software support.

Hardware Information

Before installing or removing the XCP2060-TRN I/O Transition Card, turn the power on the CompactPCI system off. However, if the CompactPCI system is on and running, the XCP2060-TRN I/O Transition Card should be inserted *first*, followed by the mating Netra CP2060/CP2080/CP2160 board. Refer to the *XCP2060-TRN I/O Transition Card Manual for Netra CP2060/CP2080/CP2160 CompactPCI Boards* (806-6203-xx) for further hardware information.

Related Documentation

Refer to the *XCP2060-TRN I/O Transition Card Manual for Netra CP2060/CP2080/CP2160 CompactPCI Boards* (806-6203-xx) for comprehensive technical details. The manual can be downloaded from the product web site:

http://www.sun.com/products-n-solutions/hardware/docs/CPU_Boards

If you cannot access the documentation from the above web site, you can access the documentation at:

<http://www.sun.com/documentation>

Technical Support

If you have any technical questions or issues that are not addressed in the Netra CP2060/CP2080/CP2160 documentation set or on the web site, or you need to return the XCP2060-TRN I/O Transition Card, contact your local Sun Enterprise Services. For customers in the U.S. or Canada, please call 1-800-USA-4SUN (1-800-872-4786). For customers in the rest of the world, find the World Wide Solution Center nearest you by visiting our web site:

<http://www.sun.com/service/contacting/solution.html>

When you call Enterprise Services, be sure to indicate that the XCP2060-TRN I/O Transition Card was purchased separately and is not associated with a system. Please have the board identification information ready (see FIGURE 2).

The XCP2060-TRN I/O Transition Card board part number, serial number, and revision can be found on stickers located on the board labels. For proper identification of the board, please see the list below and FIGURE 2. The Sun Microsystems barcode label provides the following information:

- Board part number (for example, 3750120) which is the first seven digits on the barcode label. The next six digits are the board serial number (for example, 005609).
- Product part number (for example, 5762), product dash (for example, 02) and revision number (for example REV 57).
- Board date code (for example, 03/01) which represents the third week of year 2001.
- Country of origin (for example, ASSEMBLED IN CANADA)

Note – The CM barcode label in FIGURE 2 is an optional label and may or may not appear on the XCP2060-TRN I/O Transition Card.

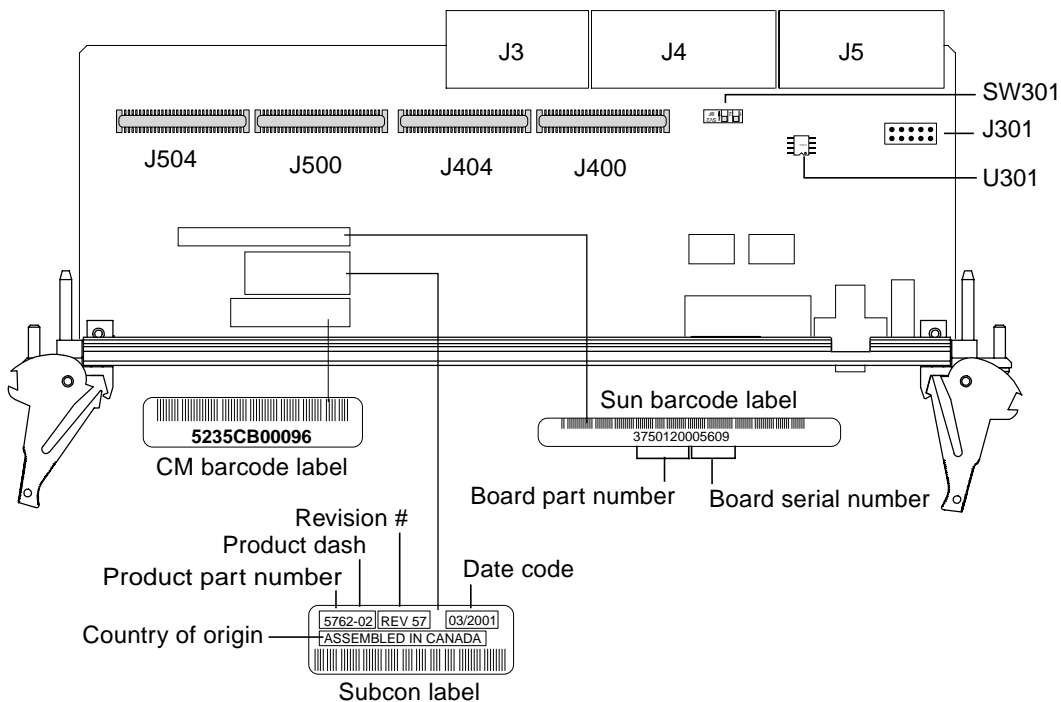


FIGURE 2 Identification Labels on the XCP2060-TRN I/O Transition Card