



# SunVTS™ 4.0 Test Reference Manual

---

Sun Microsystems, Inc.  
901 San Antonio Road  
Palo Alto, CA 94303-4900  
U.S.A. 650-960-1300

Part No. 806-2058-10  
February 2000, Revision A

Send comments about this document to: [docfeedback@sun.com](mailto:docfeedback@sun.com)

Copyright 2000 Sun Microsystems, Inc., 901 San Antonio Road, Palo Alto, California 94303-4900 U.S.A. All rights reserved.

This product or document is protected by copyright and distributed under licenses restricting its use, copying, distribution, and decompilation. No part of this product or document may be reproduced in any form by any means without prior written authorization of Sun and its licensors, if any. Third-party software, including font technology, is copyrighted and licensed from Sun suppliers.

Parts of the product may be derived from Berkeley BSD systems, licensed from the University of California. UNIX is a registered trademark in the U.S. and other countries, exclusively licensed through X/Open Company, Ltd. For Netscape Communicator™, the following notice applies: (c) Copyright 1995 Netscape Communications Corporation. All rights reserved.

Sun, Sun Microsystems, the Sun logo, AnswerBook2, docs.sun.com, and Solaris are trademarks, registered trademarks, or service marks of Sun Microsystems, Inc. in the U.S. and other countries. All SPARC trademarks are used under license and are trademarks or registered trademarks of SPARC International, Inc. in the U.S. and other countries. Products bearing SPARC trademarks are based upon an architecture developed by Sun Microsystems, Inc.

The OPEN LOOK and Sun™ Graphical User Interface was developed by Sun Microsystems, Inc. for its users and licensees. Sun acknowledges the pioneering efforts of Xerox in researching and developing the concept of visual or graphical user interfaces for the computer industry. Sun holds a non-exclusive license from Xerox to the Xerox Graphical User Interface, which license also covers Sun's licensees who implement OPEN LOOK GUIs and otherwise comply with Sun's written license agreements.

**RESTRICTED RIGHTS:** Use, duplication, or disclosure by the U.S. Government is subject to restrictions of FAR 52.227-14(g)(2)(6/87) and FAR 52.227-19(6/87), or DFAR 252.227-7015(b)(6/95) and DFAR 227.7202-3(a).

DOCUMENTATION IS PROVIDED "AS IS" AND ALL EXPRESS OR IMPLIED CONDITIONS, REPRESENTATIONS AND WARRANTIES, INCLUDING ANY IMPLIED WARRANTY OF MERCHANTABILITY, FITNESS FOR A PARTICULAR PURPOSE OR NON-INFRINGEMENT, ARE DISCLAIMED, EXCEPT TO THE EXTENT THAT SUCH DISCLAIMERS ARE HELD TO BE LEGALLY INVALID.

---

Copyright 2000 Sun Microsystems, Inc., 901 San Antonio Road, Palo Alto, Californie 94303 Etats-Unis. Tous droits réservés.

Ce produit ou document est protégé par un copyright et distribué avec des licences qui en restreignent l'utilisation, la copie, la distribution, et la décompilation. Aucune partie de ce produit ou document ne peut être reproduite sous aucune forme, par quelque moyen que ce soit, sans l'autorisation préalable et écrite de Sun et de ses bailleurs de licence, s'il y en a. Le logiciel détenu par des tiers, et qui comprend la technologie relative aux polices de caractères, est protégé par un copyright et licencié par des fournisseurs de Sun.

Des parties de ce produit pourront être dérivées des systèmes Berkeley BSD licenciés par l'Université de Californie. UNIX est une marque déposée aux Etats-Unis et dans d'autres pays et licenciée exclusivement par X/Open Company, Ltd. La notice suivante est applicable à Netscape Communicator™: (c) Copyright 1995 Netscape Communications Corporation. Tous droits réservés.

Sun, Sun Microsystems, le logo Sun, AnswerBook2, docs.sun.com, et Solaris sont des marques de fabrique ou des marques déposées, ou marques de service, de Sun Microsystems, Inc. aux Etats-Unis et dans d'autres pays. Toutes les marques SPARC sont utilisées sous licence et sont des marques de fabrique ou des marques déposées de SPARC International, Inc. aux Etats-Unis et dans d'autres pays. Les produits portant les marques SPARC sont basés sur une architecture développée par Sun Microsystems, Inc.

L'interface d'utilisation graphique OPEN LOOK et Sun™ a été développée par Sun Microsystems, Inc. pour ses utilisateurs et licenciés. Sun reconnaît les efforts de pionniers de Xerox pour la recherche et le développement du concept des interfaces d'utilisation visuelle ou graphique pour l'industrie de l'informatique. Sun détient une licence non exclusive de Xerox sur l'interface d'utilisation graphique Xerox, cette licence couvrant également les licenciés de Sun qui mettent en place l'interface d'utilisation graphique OPEN LOOK et qui en outre se conforment aux licences écrites de Sun.

CETTE PUBLICATION EST FOURNIE "EN L'ETAT" ET AUCUNE GARANTIE, EXPRESSE OU IMPLICITE, N'EST ACCORDEE, Y COMPRIS DES GARANTIES CONCERNANT LA VALEUR MARCHANDE, L'APTITUDE DE LA PUBLICATION A REPENDRE A UNE UTILISATION PARTICULIERE, OU LE FAIT QU'ELLE NE SOIT PAS CONTREFAISANTE DE PRODUIT DE TIERS. CE DENI DE GARANTIE NE S'APPLIQUERAIT PAS, DANS LA MESURE OU IL SERAIT TENU JURIDIQUEMENT NUL ET NON AVENU.



Adobe PostScript

# Contents

---

<b>Preface</b>	<b>xxvii</b>
<b>1. Introduction</b>	<b>1</b>
Test Requirements	2
Collection of SunVTS Tests	2
32-Bit and 64-Bit Tests	3
SunVTS Test Modes	3
SunVTS User Interfaces	4
Running a Test from a User Interface	5
Running a Test From the Command Line	7
Testing Multiple Frame Buffers	10
Remote Testing of Frame Buffers	10
<b>2. Advanced Frame Buffer Test (afbtest)</b>	<b>11</b>
afbtest Test Requirements	11
afbtest Options	12
afbtest Test Modes	19
afbtest Command-Line Syntax	20
afbtest Error Messages	21
<b>3. SunATM Adapter Test (atmtest)</b>	<b>31</b>

atmtest Test Requirements	31
atmtest Options	32
atmtest Test Modes	35
atmtest Command Line Syntax	35
atmtest Error Messages	36
<b>4. Audio Test (audiotest)</b>	<b>39</b>
audiotest Subtests	40
audiotest Options	41
audiotest Test Modes	48
audiotest Command-Line Syntax	48
audiotest Error Messages	50
<b>5. Bidirectional Parallel Port Printer Test (bpptest)</b>	<b>53</b>
bpptest Hardware and Software Requirements	53
bpptest Options	54
bpptest Test Modes	56
bpptest Command-Line Syntax	57
bpptest Error Messages	57
<b>6. Compact Disc Test (cdtest)</b>	<b>59</b>
Volume Management and Compact Discs	59
cdtest Options	60
cdtest Test Modes	62
cdtest Command-Line Syntax	62
cdtest Error Messages	63
<b>7. Color Graphics Frame Buffer Test (cg14test)</b>	<b>65</b>
cg14test Requirements	65
cg14test Groups	66

cg14test Options	72
cg14test Command-Line Syntax	74
cg14test Test Modes	75
cg14test Error Messages	75
<b>8. Frame Buffer, GX, GX+ and TGX Options Test (cg6)</b>	<b>79</b>
cg6 Subtests	80
cg6 Options	81
cg6 Test Modes	83
cg6 Command-Line Syntax	83
cg6 Error Messages	84
<b>9. CPU Test (cputest)</b>	<b>89</b>
cputest Options	90
cputest Test Modes	92
cputest Command-Line Syntax	93
cputest Error Messages	94
<b>10. Disk and Floppy Drives Test (disktest)</b>	<b>97</b>
disktest Test Requirements	97
disktest Test Options	99
disktest Test Modes	103
disktest Command-Line Syntax	103
disktest Error Messages	105
<b>11. Sun StorEdge Hardware RAID Adapter Test (dpttest)</b>	<b>113</b>
dpttest Options	114
dpttest Test Modes	116
dpttest Command-Line Syntax	116
dpttest Error Messages	118

- 12. DVD Test (dvdtest) 123**
  - dvdtest Test Requirements 123
  - dvdtest Options 123
  - dvdtest Test Modes 125
  - dvdtest Command-Line Syntax 125
  - dvdtest Error Messages 126
  
- 13. ECP 1284 Parallel Port Printer Test (ecpptest) 129**
  - ecpptest Hardware and Software Requirements 129
  - ecpptest Subtests 130
  - ecpptest Options 130
  - ecpptest Test Modes 133
  - ecpptest Command-Line Syntax 133
  - ecpptest Error Messages 134
  
- 14. Sun StorEdge A5x00 Test (enatest) 139**
  - enatest Options 142
  - Fault Isolation Capability 145
  - enatest Test Modes 146
  - enatest Command-Line Syntax 146
  - enatest Error Messages 148
  
- 15. StorEdge 1000 Enclosure Test (enctest) 153**
  - enctest Options 154
  - enctest Test Modes 156
  - enctest Command-Line Syntax 156
  - enctest Error Messages 157
  
- 16. Environmental Test (envtest) 159**
  - envtest Options 159
  - envtest Test Modes 162

	envtest Command-Line Syntax	162
	envtest Error Messages	163
<b>17.</b>	<b>Environmental Test (env2test)</b>	<b>167</b>
	env2test Options	167
	env2test Test Modes	170
	env2test Command-Line Syntax	170
	env2test Error Messages	171
<b>18.</b>	<b>Frame Buffer Test (fbtest)</b>	<b>175</b>
	fbtest Options	175
	fbtest Command-Line Syntax	177
	fbtest Test Modes	177
	fbtest Error Messages	178
<b>19.</b>	<b>Fast Frame Buffer Test (ffbtest)</b>	<b>179</b>
	ffbtest Test Requirements	179
	ffbtest Options	180
	ffbtest Test Modes	186
	ffbtest Command-Line Syntax	187
	ffbtest Error Messages	188
<b>20.</b>	<b>Floating Point Unit Test (fputest)</b>	<b>197</b>
	fputest Subtests	197
	fputest Options	198
	fputest Test Modes	200
	fputest Command-Line Syntax	200
	fputest Error Messages	201
<b>21.</b>	<b>Sun GigabitEthernet Test (gemtest)</b>	<b>227</b>
<b>22.</b>	<b>PGX32 Frame Buffer Test (gfxtest)</b>	<b>229</b>

- gfixtest Options 230
- gfixtest Test Modes 232
- gfixtest Command Line Syntax 232
- gfixtest Error Messages 233
  
- 23. Intelligent Fibre Channel Processor Test (ifptest) 235**
  - ifptest Subtests 235
  - ifptest Options 236
  - ifptest Command-Line Syntax 238
  - ifptest Test Modes 239
  - ifptest Error Messages 239
  
- 24. Dual Basic Rate ISDN (DBRI) Chip (isdntest) 245**
  - isdntest Subtests 245
  - isdntest Options 249
  - isdntest Test Modes 250
  - isdntest Command Line Syntax 250
  - isdntest Error Messages 251
  
- 25. M64 Video Board Test (m64test) 253**
  - m64test Options 254
  - m64test Test Modes 256
  - m64test Command-Line Syntax 257
  - m64test Error Messages 258
  
- 26. Multiprocessor Test (mptest) 265**
  - mptest Options 265
  - mptest Test Modes 269
  - mptest Command-Line Syntax 269
  - mptest Error Messages 270



- 27. Network Hardware Test (nettest) 273**
  - nettest Options 274
  - nettest Test Modes 276
  - nettest Command-Line Syntax 277
  - nettest Error Messages 278
  
- 28. Ethernet Loopback Test (netlptest) 281**
  - netlptest Test Requirements 282
  - netlptest Options 282
  - netlptest Test Modes 284
  - netlptest Command-Line Syntax 285
  - netlptest Error Messages 286
  
- 29. PCMCIA Modem Card Test (pcsertest) 289**
  - pcsertest Options 289
  - pcsertest Test Mode 291
  - pcsertest Command-Line Syntax 291
  - pcsertest Error Messages 292
  
- 30. SPARCstorage Array Controller Test (plntest) 295**
  - plntest Controller Test 295
  - plntest Options 296
  - plntest Test Modes 298
  - plntest Command-Line Syntax 298
  - Probing for SSA Controller Devices 299
  - plntest Error Messages 300
  
- 31. Physical Memory Test (pmemtest) 303**
  - pmemtest Options 303
  - pmemtest Test Modes 307
  - pmemtest Command-Line Syntax 307

pmemtest Error Messages 309

**32. Remote System Control (rsctest) 311**

rsctest Subtests 311

rsctest Options 311

rsctest Test Modes 314

rsctest Command-Line Syntax 314

rsctest Error Messages 315

**33. Serial Asynchronous Interface (PCI)  
Test (saiptest) 321**

saiptest Hardware Requirements 321

saiptest Options 322

saiptest Test Modes 325

saiptest Command-Line Syntax 325

saiptest Error Messages 327

**34. Sun Enterprise Cluster 2.0 Network Hardware Test (scitest) 329**

scitest Options 329

scitest Test Modes 331

scitest Command-Line Syntax 331

scitest Error Messages 333

**35. SmartCard Test (sctest) 335**

sctest Test Requirements 335

Checking for ocfserv 336

sctest Subtests 337

sctest Options 337

sctest Command-Line Syntax 339

sctest Test Modes 340

sctest Error Messages 340

- 36. Environmental Sensing Card Test (sentest) 345**
  - sentest Options 345
  - sentest Test Modes 347
  - sentest Command-Line Syntax 347
  - sentest Error Messages 348
  
- 37. Soc+ Host Adapter Card Test (socialtest) 349**
  - socialtest Options 349
  - socialtest Test Modes 352
  - socialtest Command-Line Syntax 352
  - socialtest Error Messages 353
  
- 38. Serial Parallel Controller Test (spiftest) 355**
  - spiftest Hardware Requirements 355
  - spiftest Options 356
  - spiftest Test Modes 359
  - spiftest Command-Line Syntax 359
  - spiftest Error Messages 360
  
- 39. Serial Ports Test (sptest) 363**
  - Synchronous Testing Software Requirements 365
  - sptest Options 365
  - sptest Test Modes 370
  - sptest Command-Line Syntax 371
  - sptest Error Messages 373
  
- 40. SunButtons Test (sunbuttons) 379**
  - sunbuttons Test Requirements 379
  - Running the sunbuttons Tests 379
  - sunbuttons Command-Line Syntax 382
  - sunbuttons Test Modes 383

- sunbuttons Error Messages 383
- 41. SunDials Test (sundials) 385**
  - Running the sundials Test 385
  - sundials Test Modes 388
  - sundials Command-Line Syntax 388
  - sundials Error Messages 388
- 42. HSI Board Test (sunlink) 391**
  - sunlink Test Requirements 391
  - sunlink Options 392
  - sunlink Command-Line Syntax 393
  - sunlink Test Modes 394
  - sunlink Loopback Connectors 394
  - sunlink Error Messages 395
- 43. Sun PCi Test (sunpcitest) 397**
  - sunpcitest Test Requirements 397
  - sunpcitest Options 397
  - sunpcitest Test Modes 399
  - sunpcitest Command-Line Syntax 399
  - sunpcitest Error Messages 400
- 44. System Test (systest) 405**
  - systest Options 405
  - systest Test Modes 407
  - systest Command-Line Syntax 407
  - systest Error Messages 407
- 45. Tape Drive Test (tapetest) 411**
  - tapetest Test Requirements 411

tapetest Options	411
tapetest Test Modes	415
tapetest Command-Line Syntax	415
tapetest Error Messages	417
<b>46. S24 Frame Buffer Test (tcxtest)</b>	<b>419</b>
Test Groups	419
tcxtest Subtests	420
tcxtest Options	421
tcxtest Test Modes	423
tcxtest Command-Line Syntax	423
tcxtest Error Messages	425
<b>47. Virtual Memory Test (vmemtest)</b>	<b>431</b>
vmemtest Swap Space Requirements	431
vmemtest Options	431
vmemtest Test Modes	434
vmemtest Command-Line Syntax	435
vmemtest Error Messages	436
<b>A. Loopback Connectors</b>	<b>439</b>
25-Pin RS-232 Loopback Plug	441
25-pin RS-232 Port-to-Port Loopback Cable	442
8-Pin to 8-Pin Loopback Cable	443
8-Pin Loopback Plug	443
25-pin Port A-to-Port B Loopback Plug	444
25-pin Port A-to-A Port B-to-B Loopback Plug	445
96-Pin Female Loopback Connector	446
96-Pin Female Special Loopback Connector	448

37-Pin RS-449 Loopback Cable	449
37-Pin RS-449 Loopback Plug	450
9-pin Male Single-Port Loopback Plug	451
9-pin Female Single-Port Loopback Plug	451
9-Pin to 25-Pin Port-to-Port Loopback Cable	452
9-Pin to 9-Pin Port-to-Port Loopback Cable	453
NT to TE Loopback Cable	453

# Figures

---

FIGURE 1-1	Test Parameter Options Dialog Box (CDE)	6
FIGURE 2-1	<code>afbtest</code> Test Parameter Options Dialog Box	13
FIGURE 3-1	<code>atmtest</code> Test Parameter Options Dialog Box	33
FIGURE 4-1	<code>audiotest</code> Test Parameter Options dialog box for <code>audioamd(7)</code>	41
FIGURE 4-2	<code>audiotest</code> Test Parameter Options dialog box for Speakerbox <code>dbri(7)</code> audio	42
FIGURE 4-3	<code>audiotest</code> Test Parameter Options dialog box for SPARCstationTM LX <code>dbri(7)</code> without a Speakerbox Attached	43
FIGURE 4-4	<code>audiotest</code> Test Parameter Options dialog box for on-board <code>dbri(7)</code> for SPARCstation 20 and S240	44
FIGURE 4-5	<code>audiotest</code> Test Parameter Options dialog box for <code>audiocs(7)</code>	45
FIGURE 4-6	<code>audiotest</code> Test Parameter Options dialog box for <code>audiocs(7)</code> with Internal Loopbacks	46
FIGURE 5-1	<code>bpptest</code> Test Parameter Options dialog box	55
FIGURE 6-1	<code>cdtest</code> Test Parameter Options dialog box	60
FIGURE 7-1	<code>cg14test</code> Test Parameter Options dialog box	73
FIGURE 8-1	<code>cg6</code> Test Parameter Options dialog box	82
FIGURE 9-1	<code>cpptest</code> Test Parameter Options Dialog Box	90
FIGURE 10-1	<code>disktest</code> Test Parameter Options dialog box	100
FIGURE 11-1	<code>dpttest</code> Test Parameter Options Dialog Box	114
FIGURE 12-1	<code>dvdtest</code> Test Parameter Options Dialog Box	124
FIGURE 13-1	<code>ecpptest</code> Test Parameter Options dialog box	131
FIGURE 14-1	<code>enatest</code> Test Parameter Options Dialog Box	143

FIGURE 15-1	<code>enctest</code> Test Parameter Options Dialog Box	155
FIGURE 16-1	<code>envtest</code> Test Parameter Options Dialog Box	160
FIGURE 17-1	<code>env2test</code> Test Parameter Options Dialog Box	168
FIGURE 18-1	<code>fbtest</code> Test Parameter Options Dialog Box	176
FIGURE 19-1	<code>ffbtest</code> Test Parameter Options Dialog Box	180
FIGURE 20-1	<code>fpptest</code> Test Parameter Options Dialog Box	199
FIGURE 22-1	<code>gfxtest</code> Option Menu	231
FIGURE 23-1	<code>ifptest</code> Test Parameter Options Dialog Box	237
FIGURE 24-1	<code>isdntest</code> Local Loopback Subtest	247
FIGURE 24-2	<code>isdntest</code> Remote Loopback Subtest	247
FIGURE 24-3	<code>isdntest</code> Read/Write Subtest	248
FIGURE 24-4	<code>isdntest</code> Data Path Subtest	248
FIGURE 24-5	<code>isdntest</code> Test Parameter Options Dialog Box	249
FIGURE 25-1	<code>m64test</code> Test Parameter Options Dialog Box	254
FIGURE 26-1	<code>mpptest</code> Test Parameter Options Dialog Box	266
FIGURE 27-1	<code>nettest</code> Test Parameter Options Dialog Box	275
FIGURE 28-1	<code>netlptest</code> Test Parameter Options Dialog Box	283
FIGURE 29-1	<code>pcsertest</code> Test Parameter Options Dialog Box	290
FIGURE 30-1	<code>plntest</code> Test Parameter Options Dialog Box	296
FIGURE 31-1	<code>pmmentest</code> Test Parameter Options Dialog Box (Non-Ultra Server)	304
FIGURE 31-2	<code>pmmentest</code> UltraSPARC Server Test Parameter Options Dialog Box	305
FIGURE 32-1	<code>rsctest</code> Test Parameter Options Dialog Box	312
FIGURE 33-1	<code>saipptest</code> Test Parameter Options Dialog Box	322
FIGURE 34-1	<code>scitest</code> Test Parameter Options Dialog Box	330
FIGURE 35-1	<code>sctest</code> Test Parameter Options Dialog Box	338
FIGURE 36-1	<code>sentest</code> Test Parameter Options Dialog Box	346
FIGURE 37-1	<code>socaltest</code> Test Parameter Options Dialog Box	350
FIGURE 38-1	<code>spifptest</code> Test Parameter Options Dialog Box	356
FIGURE 39-1	<code>sptest</code> Test Parameter Options Dialog Box	366
FIGURE 40-1	<code>sunbuttons</code> Test Tool	382



FIGURE 41-1	<code>sundials</code> Test Dialog Box	387
FIGURE 42-1	<code>sunlink</code> Test Parameter Options Dialog Box	392
FIGURE 43-1	<code>sunpcitest</code> Test Parameter Options Dialog Box	398
FIGURE 44-1	<code>sytest</code> Test Parameter Options Dialog Box	406
FIGURE 45-1	<code>tapetest</code> Test Parameter Options Dialog Box (4-mm tape drives)	412
FIGURE 46-1	<code>tcxtest</code> Test Parameter Options Dialog Box	422
FIGURE 47-1	<code>vmentest</code> Test Parameter Options Dialog Box	432
FIGURE A-1	25-pin RS-232 Loopback Plug	441
FIGURE A-2	25-pin RS-232 Port-to-Port Loopback Cable	442
FIGURE A-3	8-Pin to 8-Pin Loopback Cable	443
FIGURE A-4	8-Pin Loopback Plug	444
FIGURE A-5	Port A-to-Port B Loopback Plug	445
FIGURE A-6	Port A-to-A, Port B-to-B Loopback Plug	446
FIGURE A-7	96-Pin Female Loopback Connector	447
FIGURE A-8	96-Pin Female Special Loopback Connector	448
FIGURE A-9	37-Pin RS-449 Loopback Cable	449
FIGURE A-10	37-Pin RS-449 Loopback Plug	450
FIGURE A-11	9-Pin Male Single-Port Loopback Plug	451
FIGURE A-12	9-Pin Female Single-Port Loopback Plug	451
FIGURE A-13	9-Pin to 25-Pin Port-to-Port Loopback Cable	452
FIGURE A-14	9-Pin to 9-Pin Port-to-Port Loopback Cable	453



# Tables

---

TABLE 1-1	SunVTS Test Modes	4
TABLE 1-2	SunVTS System Interfaces	5
TABLE 1-3	Test Parameter Options Dialog Box Items	6
TABLE 1-4	Standard Command-Line Arguments	8
TABLE 1-5	SunVTS Test-Specific Arguments	9
TABLE 2-1	<code>afptest</code> Options	14
TABLE 2-2	<code>afptest</code> Test Modes	19
TABLE 2-3	<code>afptest</code> Command-Line Syntax	20
TABLE 2-4	<code>afptest</code> Error Messages	21
TABLE 3-1	<code>atmtest</code> Options	34
TABLE 3-2	<code>atmtest</code> Test Modes	35
TABLE 3-3	<code>atmtest</code> Command Line Syntax	35
TABLE 3-4	<code>atmtest</code> Error Messages	36
TABLE 4-1	<code>audiotest</code> Subtests	40
TABLE 4-2	<code>audiotest</code> Options	47
TABLE 4-3	<code>audiotest</code> Test Modes	48
TABLE 4-4	<code>audiotest</code> Command-Line Syntax	48
TABLE 4-5	<code>audiotest</code> Error Messages	50
TABLE 5-1	<code>bpptest</code> Options	55
TABLE 5-2	<code>bpptest</code> Test Modes	56

TABLE 5-3	bpptest Command-Line Syntax	57
TABLE 5-4	bpptest Error Messages	57
TABLE 6-1	cdtest Options	61
TABLE 6-2	cdtest Test Modes	62
TABLE 6-3	cdtest Command-Line Syntax	62
TABLE 6-4	cdtest Error Messages	63
TABLE 7-1	cg14 Test Groups	66
TABLE 7-2	cg14test NTA Testing Patterns	72
TABLE 7-3	cg14test Options	73
TABLE 7-4	cg14test Command-Line Syntax	74
TABLE 7-5	cg14test Test Modes	75
TABLE 7-6	cg14test Error Messages	75
TABLE 8-1	cg6 Subtests	80
TABLE 8-2	cg6test Test Modes	83
TABLE 8-3	cg6 Command-Line Syntax	83
TABLE 8-4	cg6 Error Messages	84
TABLE 9-1	cputest Option Dialog box Descriptions	91
TABLE 9-2	cputest Test Modes	92
TABLE 9-3	cputest Command-Line Syntax	93
TABLE 9-4	cputest Error Messages	94
TABLE 10-1	disktest Subtests	99
TABLE 10-2	disktest Configurations and Options	101
TABLE 10-3	disktest Test Modes	103
TABLE 10-4	disktest Command-Line Syntax	103
TABLE 10-5	disktest Error Messages	105
TABLE 11-1	dpttest Options	115
TABLE 11-2	dpttest Test Modes	116
TABLE 11-3	dpttest Command-Line Syntax	116
TABLE 11-4	dpttest Error Messages	118
TABLE 12-1	dvdtest Option Menu Descriptions	124

TABLE 12-2	<code>dvctest</code> Test Modes	125
TABLE 12-3	<code>dvctest</code> Command-Line Syntax	125
TABLE 12-4	<code>dvctest</code> Error Messages	126
TABLE 13-1	<code>ecpptest</code> Subtests	130
TABLE 13-2	<code>ecpptest</code> Options	131
TABLE 13-3	<code>ecpptest</code> Test Modes	133
TABLE 13-4	<code>ecpptest</code> Command-Line Syntax	133
TABLE 13-5	<code>ecpptest</code> Error Messages	134
TABLE 14-1	<code>enatest</code> Coverage	140
TABLE 14-2	Element Enclosure Status	142
TABLE 14-3	<code>enatest</code> Options	144
TABLE 14-4	<code>enatest</code> Fault Isolation Configurations	145
TABLE 14-5	<code>enatest</code> Test Modes	146
TABLE 14-6	<code>enatest</code> Command-Line Syntax	147
TABLE 14-7	<code>enatest</code> Error Messages	148
TABLE 15-1	<code>enctest</code> Status LEDs	153
TABLE 15-2	<code>enctest</code> Enclosure Status Report	154
TABLE 15-3	<code>enctest</code> Options	155
TABLE 15-4	<code>enctest</code> Test Modes	156
TABLE 15-5	<code>enctest</code> Command-Line Syntax	156
TABLE 15-6	<code>enctest</code> Error Messages	157
TABLE 16-1	<code>envtest</code> Options	161
TABLE 16-2	<code>envtest</code> Test Modes	162
TABLE 16-3	<code>envtest</code> Command-Line Syntax	162
TABLE 16-4	<code>envtest</code> Error Messages	163
TABLE 17-1	<code>env2test</code> Options	169
TABLE 17-2	<code>env2test</code> Test Modes	170
TABLE 17-3	<code>env2test</code> Command-Line Syntax	170
TABLE 17-4	<code>env2test</code> Error Messages	171
TABLE 18-1	<code>fbtest</code> Command-Line Syntax	177

TABLE 18-2	<code>fbtest</code> Test Modes	177
TABLE 18-3	<code>fbtest</code> Error Messages	178
TABLE 19-1	<code>ffbtest</code> Options	181
TABLE 19-2	<code>ffbtest</code> Test Modes	186
TABLE 19-3	<code>ffbtest</code> Command-Line Syntax	187
TABLE 19-4	<code>ffbtest</code> Error Messages	188
TABLE 20-1	<code>fputest</code> Test Modes	200
TABLE 20-2	<code>fputest</code> Error Messages	201
TABLE 22-1	<code>gfxtest</code> Subtests	229
TABLE 22-2	<code>gfxtest</code> Options	231
TABLE 22-3	<code>gfxtest</code> Test Modes	232
TABLE 22-4	<code>gfxtest</code> Command Line Syntax	232
TABLE 22-5	<code>gfxtest</code> Error Messages	233
TABLE 23-1	<code>ifptest</code> Options	237
TABLE 23-2	<code>ifptest</code> Command-Line Syntax	238
TABLE 23-3	<code>ifptest</code> Test Modes	239
TABLE 23-4	<code>ifptest</code> Error Messages	239
TABLE 24-1	<code>isdntest</code> Subtests	246
TABLE 24-2	<code>isdntest</code> Options	249
TABLE 24-3	<code>isdntest</code> Test Modes	250
TABLE 24-4	<code>isdntest</code> Command Line Syntax	250
TABLE 24-5	<code>isdntest</code> Error Messages	251
TABLE 25-1	<code>m64test</code> Options	255
TABLE 25-2	<code>m64test</code> Test Modes	256
TABLE 25-3	<code>m64test</code> Command-Line Syntax	257
TABLE 25-4	<code>m64test</code> Error Messages	258
TABLE 26-1	<code>mpptest</code> Options	267
TABLE 26-2	<code>mpptest</code> Test Modes	269
TABLE 26-3	<code>mpptest</code> Command-Line Syntax	269
TABLE 26-4	<code>mpptest</code> Error Messages	270

TABLE 27-1	<code>nettest</code> Options	276
TABLE 27-2	<code>nettest</code> Test Modes	276
TABLE 27-3	<code>nettest</code> Command-Line Syntax	277
TABLE 27-4	<code>nettest</code> Error Messages	278
TABLE 28-1	<code>netlbttest</code> Options	284
TABLE 28-2	<code>netlbttest</code> Test Modes	284
TABLE 28-3	<code>netlbttest</code> Command-Line Syntax	285
TABLE 28-4	<code>netlbttest</code> Error Messages	286
TABLE 29-1	<code>pcsertest</code> Test Modes	291
TABLE 29-2	<code>pcsertest</code> Command-Line Syntax	291
TABLE 29-3	<code>pcsertest</code> Error Messages	292
TABLE 30-1	<code>plntest</code> Test Modes	298
TABLE 30-2	<code>plntest</code> Command-Line Syntax	298
TABLE 30-3	<code>plntest</code> Error Messages	300
TABLE 31-1	<code>pmentest</code> Options	305
TABLE 31-2	<code>pmentest</code> Test Modes	307
TABLE 31-3	<code>pmentest</code> Command-Line Syntax	307
TABLE 31-4	<code>pmentest</code> Error Messages	309
TABLE 32-1	<code>rsctest</code> Options	313
TABLE 32-2	<code>rsctest</code> Test Modes	314
TABLE 32-3	<code>rsctest</code> Command-Line Syntax	314
TABLE 32-4	<code>rsctest</code> Error Messages	315
TABLE 33-1	<code>saiptest</code> Asynchronous Serial Ports	323
TABLE 33-2	<code>saiptest</code> Options	324
TABLE 33-3	<code>saiptest</code> Test Modes	325
TABLE 33-4	<code>saiptest</code> Command-Line Syntax	326
TABLE 33-5	<code>saiptest</code> Error Messages	327
TABLE 34-1	<code>scitest</code> Options	330
TABLE 34-2	<code>scitest</code> Test Modes	331
TABLE 34-3	<code>scitest</code> Command-Line Syntax	331

TABLE 34-4	<code>scitest</code> Error Messages	333
TABLE 35-1	<code>sctest</code> Subtests	337
TABLE 35-2	<code>sctest</code> Options	338
TABLE 35-3	<code>sctest</code> Command-Line Syntax	339
TABLE 35-4	<code>sctest</code> Test Modes	340
TABLE 35-5	<code>sctest</code> Error Messages	340
TABLE 36-1	<code>sentest</code> Options	346
TABLE 36-2	<code>sentest</code> Test Modes	347
TABLE 36-3	<code>sentest</code> Command-Line Syntax	347
TABLE 36-4	<code>sentest</code> Error Messages	348
TABLE 37-1	<code>socaltest</code> Options	351
TABLE 37-2	<code>socaltest</code> Test Modes	352
TABLE 37-3	<code>socaltest</code> Command-Line Syntax	352
TABLE 37-4	<code>socaltest</code> Error Messages	353
TABLE 38-1	<code>spiftest</code> Serial Ports for the SPC/S Board	357
TABLE 38-2	<code>spiftest</code> Options	357
TABLE 38-3	<code>spiftest</code> Test Modes	359
TABLE 38-4	<code>spiftest</code> Command-Line Syntax	359
TABLE 38-5	<code>spiftest</code> Error Messages	360
TABLE 39-1	Serial Port Tests	364
TABLE 39-2	<code>sptest</code> Serial Devices	367
TABLE 39-3	<code>sptest</code> Options	367
TABLE 39-4	<code>sptest</code> Test Modes	370
TABLE 39-5	<code>sptest</code> Command-Line Syntax	371
TABLE 39-6	<code>sptest</code> Error Messages	373
TABLE 40-1	<code>sunbuttonstest</code> Test Modes	383
TABLE 40-2	<code>sunbuttons</code> Error Messages	383
TABLE 41-1	<code>sundialstest</code> Test Modes	388
TABLE 41-2	<code>sundials</code> Error Messages	388
TABLE 42-1	<code>sunlink</code> Options	393



TABLE 42-2	sunlink Command-Line Syntax	393
TABLE 42-3	sunlinktest Test Modes	394
TABLE 42-4	sunlink Error Messages	395
TABLE 43-1	sunpcitest Test Modes	399
TABLE 43-2	sunpcitest Error Messages	400
TABLE 44-1	systest Test Modes	407
TABLE 44-2	systest Error Messages	407
TABLE 45-1	tapetest Options	413
TABLE 45-2	tapetest Test Modes	415
TABLE 45-3	tapetest Command-Line Syntax	415
TABLE 45-4	tapetest Error Messages	417
TABLE 46-1	tcxtest Subtests	420
TABLE 46-2	tcxtest Test Modes	423
TABLE 46-3	tcxtest Command-Line Syntax	423
TABLE 46-4	tcxtest Error Messages	425
TABLE 47-1	vmentest Options	433
TABLE 47-2	vmentest Test Modes	434
TABLE 47-3	vmentest Command-Line Syntax	435
TABLE 47-4	vmentest Error Messages	436
TABLE A-1	Loopback Connector Pin Assignments	439



# Preface

---

SunVTS™ 4.0 is Sun's Validation Test Suite. SunVTS is a comprehensive software diagnostic package that tests and validates Sun™ hardware by verifying the configuration and functionality of most hardware controllers, devices, and platforms.

SunVTS is primarily used from a graphical user interface (GUI), which may be either OPEN LOOK or Common Desktop Environment (CDE). This book describes SunVTS tests that run on machines with SPARC™ architectures. The descriptions include specific test options, procedures, and error messages.

This book is primarily written as a reference for SunVTS test specific information. Refer to the *SunVTS 4.0 User's Guide* for overall SunVTS information. Developers or experienced users who want to run the SunVTS diagnostic application will find these documents useful.

---

## Before You Read This Book

In order to make full use of the information in this document, you may need access to the following documents:

- *SunVTS 4.0 User's Guide*
- *SunVTS Quick Reference Card*

---

# How This Book Is Organized

This book is organized as follows:

Chapter 1 describes SunVTS requirements, test modes, user interfaces, the collection of tests, and how to run a test from the command line.

The remaining chapters describe the individual SunVTS tests, their options, command line syntax, other applicable test modes, and error messages. These chapters are arranged in alphabetical order according to each test name.

Appendix A provides information about the serial and parallel port loopback connectors that are required by some of the SunVTS tests.

---

# Using UNIX Commands

This document does not contain information on basic UNIX™ commands and procedures such as shutting down the system, booting the system, and configuring devices.

See one or more of the following for this information:

- *Solaris Handbook for Sun Peripherals*
- AnswerBook2™ online documentation for the Solaris™ 8 software environment
- Other software documentation that you received with your system

---

# Typographic Conventions

TABLE P-1 Typographic Conventions

Typeface or Symbol	Meaning	Examples
AaBbCc123	The names of commands, files, and directories; on-screen computer output.	Edit your <code>.login</code> file. Use <code>ls -a</code> to list all files. % You have mail.
<b>AaBbCc123</b>	What you type, when contrasted with on-screen computer output.	% <b>su</b> Password:
<i>AaBbCc123</i>	Book titles, new words or terms, words to be emphasized. Command-line variable; replace with a real name or value.	Read Chapter 6 in the <i>User's Guide</i> . These are called <i>class</i> options. You <i>must</i> be <code>root</code> to do this. To delete a file, type <code>rm filename</code> .

---

# Shell Prompts

TABLE P-2 Shell Prompts

Shell	Prompt
C shell	<i>machine_name</i> %
C shell superuser	<i>machine_name</i> #
Bourne shell and Korn shell	\$
Bourne shell and Korn shell superuser	#

---

## Related Documentation

This manual covers SunVTS revision 4.0 tests. It serves as an reference companion to the SunVTS 4.0 manuals listed below.

**TABLE P-3** Related Documentation

<b>Application</b>	<b>Title</b>	<b>Part Number</b>
Installation and Navigation	<i>SunVTS 4.0 User's Guide</i>	806-2057-10
Quick Reference	<i>SunVTS Quick Reference</i>	806-2059-10

---

## Ordering Sun Documentation

Fatbrain.com, an Internet professional bookstore, stocks select product documentation from Sun Microsystems, Inc.

For a list of documents and how to order them, visit the Sun Documentation Center on Fatbrain.com at:

<http://www1.fatbrain.com/documentation/sun>

---

## Accessing Sun Documentation Online

The docs.sun.com<sup>SM</sup> web site enables you to access Sun technical documentation on the Web. You can browse the docs.sun.com archive or search for a specific book title or subject at:

<http://docs.sun.com>

---

# Sun Welcomes Your Comments

We are interested in improving our documentation and welcome your comments and suggestions. You can email your comments to us at:

`docfeedback@sun.com`

Please include the part number (8xx-xxxx-xx) of your document in the subject line of your email.





# Introduction

---

This manual describes SunVTS™ Version 4.0 tests that are distributed on the Sun Computer Systems Supplement CD.

The Sun™ Validation and Test Suite (SunVTS) software runs multiple diagnostic hardware tests from a single user interface. SunVTS verifies the connectivity, functionality, and reliability of most hardware controllers and devices.

SunVTS is comprised of many individual tests that support testing of a wide range of products and peripherals. Most of the tests are capable of testing devices in a 32-bit or 64-bit Solaris™ environment.

Use SunVTS to test one device or multiple devices. Some of the major test categories are:

- Audio tests
- Communication (serial and parallel) tests
- Graphic/video tests
- Memory tests
- Network tests
- Peripherals (disks, tape, CD-ROM, printer, floppy) tests
- Processor tests
- Storage tests

Such flexibility means that the proper test modes and options need to be selected to maximize its effectiveness. This book covers the individual test options and requirements. For overall test configuration modes and options refer to the *SunVTS 4.0 User's Guide*.

The default installation directory for SunVTS is `/opt/SUNWvts`. However, when you are installing SunVTS, you can specify a different directory. Refer to the *SunVTS 4.0 User's Guide* for installation information.

---

# Test Requirements

SunVTS revision 4.0 was first introduced, and designed to run in the Solaris 8 operating environment. It is recommended that you run SunVTS 4.0 in the Solaris 8 operating environment.

The operating system kernel must be configured to support all peripherals that are to be tested.

Some SunVTS tests have special requirements such as the connection of loopback connectors, installation of test media, or the availability of disk space. These requirements are listed for each test in the corresponding chapter in this book.

---

## Collection of SunVTS Tests

Many individual tests make up the collection of tests in the SunVTS application. Each test is a separate process from the SunVTS kernel. Each test can be run individually from the command line or from the SunVTS user interface.

When SunVTS is started, the SunVTS kernel automatically probes the system kernel to determine the hardware devices. The devices are then displayed on the SunVTS control panel with the appropriate tests and test options. This provides a quick check of your hardware configuration, and no time is wasted trying to run tests that are not applicable to your configuration.

During testing, the hardware tests send the test status and messages to the SunVTS kernel through interprocess communication (IPC) protocols. The kernel passes the status to the user interface and logs the messages.

SunVTS has a shared object library that contains test-specific probing routines. At runtime, the SunVTS kernel dynamically links in and calls these probing routines to initialize its data structure with test-specific information. You can add new tests into the SunVTS environment without recompiling the SunVTS source code.

As of SunVTS 3.0, the SunVTS kernel and most tests support 32-bit and 64-bit operating environments. When the `sunvts` command is used to start SunVTS, the appropriate tests (32-bit or 64-bit versions) are presented.

## 32-Bit and 64-Bit Tests

Because each test is a separate program, you can run individual tests directly from the command line. When this is done, care must be taken to run the appropriate test (32-bit or 64-bit) that corresponds to the operating system that is running (32-bit or 64-bit). This is done by running tests from specific directories as follows:

- 32-bit tests—`/opt/SUNWvts/bin/testname`
- 64-bit tests—`/opt/SUNWvts/bin/sparcv9/testname`
  - The test is an actual 64-bit binary test if *testname* is a binary file.
  - The test is a 32-bit test capable of running in the 64-bit environment if *testname* is a symbolic link.

---

**Note** – The `SUNWvtsx` package must be installed for 64-bit SunVTS support. For more information on SunVTS packages and installation procedures refer to the *SunVTS 4.0 User's Guide*.

---

If you use the `sunvts` command to run SunVTS, SunVTS will automatically allocate 32-bit or 64-bit tests based on the 32-bit or 64-bit Solaris operating environment that is running. Therefore, the only time that you need to be concerned with the 32-bit or 64-bit operation is when you run the SunVTS kernel or SunVTS tests from the command line.

If you are not sure which operating system is running, refer to the *Solaris 8 System Administration* manuals. In Solaris 8, the following command can be used to identify the application support of your system.

```
# isainfo -v
```

---

**Note** – The `isainfo` command is not available in Solaris 2.6 or earlier releases.

---

---

## SunVTS Test Modes

A SunVTS test session runs in one of two test modes—*Connection test mode* and *Functional test mode*.

In addition, Functional test mode runs differently based on whether SunVTS was invoked to run on a system in an *offline* or *online* state. TABLE 1-1 describes how Functional test mode differs in these states. The *SunVTS 4.0 User's Guide* describes how to start SunVTS in the different system states.

**TABLE 1-1** SunVTS Test Modes

System State	Connection Test Mode	Functional Test Mode
<b>Offline:</b> No applications are running. All system resources are available for a test session. This is the default, assumed system state	In the offline state—performs a low-stress, quick test to verify the availability and connectivity of the tested device. This mode is non-intrusive in offline and online states.	In the offline state—performs robust testing that uses whatever system resources are required for thorough testing. All test options are modifiable for optimum test configurations.
<b>Online:</b> Other applications are running. The test session must not interfere with them. The <code>SUNWodu</code> and <code>configd</code> packages must be installed. SunVTS must be started with the <code>vtsui.online</code> command. Refer to the <i>SunVTS User's Guide</i> for more details.	Same as above	In the online state—performs non-intrusive functional testing by running in a restricted fashion. Many test options are “fixed” to prevent modifications that could alter the non-intrusive test behavior.

Note - Not all tests run in all test modes. For test specific information refer to the appropriate test chapter in this manual.

As of SunVTS 3.0, access to SunVTS online testing is no longer available through Sun Enterprise SyMON™. Use the `vtsui.online` command to start SunVTS on an online system.

## SunVTS User Interfaces

You can run SunVTS tests from various interfaces: The CDE and OPEN LOOK (OL) graphical user interfaces, or the TTY interface. SunVTS tests can also be run individually from a shell tool command line, using the command-line syntax for

each test (refer to “Running a Test From the Command Line” on page 7). TABLE 1-2 describes the various SunVTS user interfaces. Refer to the *SunVTS 4.0 User’s Guide* for more information on these interfaces.

TABLE 1-2 SunVTS System Interfaces

SunVTS System Interfaces	Description
Graphical User Interfaces (GUIs)	Users can select tests and test options by pointing and clicking with a mouse button in the CDE or OPEN LOOK (see note below) interface.
TTY Interface	Users can run SunVTS from a terminal or modem attached to a serial port. This feature requires that users use the keyboard instead of the mouse, and it displays one screen of information at a time.
Command-Line execution	Lets users run each of the SunVTS tests individually from a shell tool command line using the command-line syntax. Each test description in this book contains the corresponding command-line syntax.

**Note** – The SunVTS OPEN LOOK user interface may not support the latest SunVTS features. For full feature support, use the SunVTS CDE or TTY interface. The SunVTS OPEN LOOK user interface will be sustained, but not enhanced, as long as OPEN LOOK is supported in the Solaris™ operating environment.

## Running a Test from a User Interface

The common way to run SunVTS testing is through a SunVTS user interface—CDE, OPEN LOOK, or the TTY interface.

Test configuration, control, and results are easily accessed through buttons and dialog boxes. These buttons and dialog boxes are covered in the *SunVTS 4.0 User’s Guide*. However, the Test Parameter Options dialog box is unique for each test, and is therefore covered in this manual.

### Test Parameter Options Dialog Box

The options displayed in this menu differ for each test, but the lower set of buttons are generic and are described below.

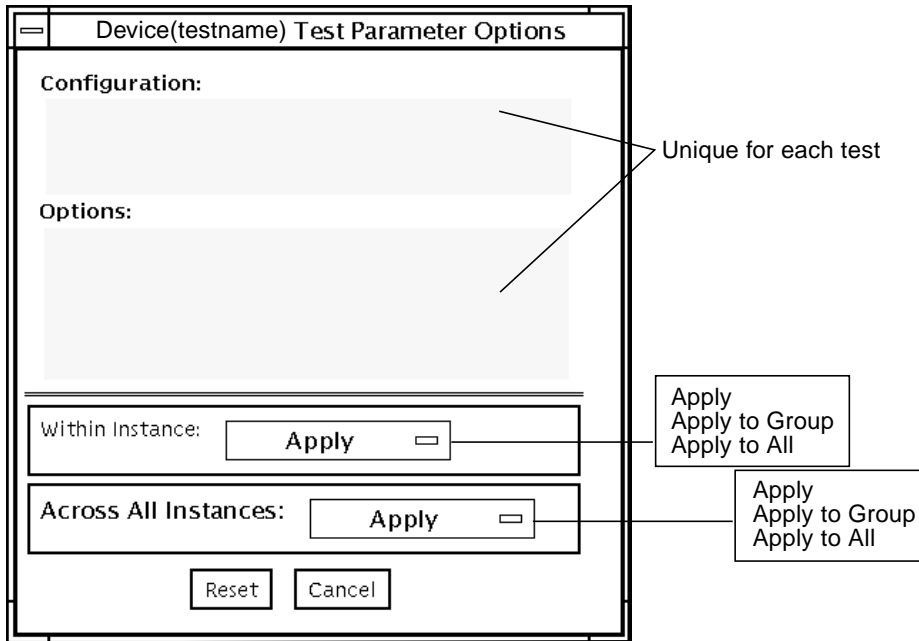


FIGURE 1-1 Test Parameter Options Dialog Box (CDE)

TABLE 1-3 Test Parameter Options Dialog Box Items

Menu Item	Description
Configuration	Information such as device type, capacity, revision, and serial numbers for the selected device. This information cannot be changed.
Options	A list of test options that are used to customize the testing of the selectable device, group, or all devices. The options are specific for each test and are covered in the test specific-chapters in this manual.
Within Instance	Provides the means to apply the settings: <ul style="list-style-type: none"> <li>■ to this device only with Apply, or</li> <li>■ to all devices within this group with Apply to Group, or</li> <li>■ to all devices (of the same device type for all controllers) with Apply to All.</li> </ul> <p>The option settings are only applied to one instance of the test.</p>

**TABLE 1-3** Test Parameter Options Dialog Box Items (*Continued*)

Menu Item	Description
Across All Instances	Provides the means to apply the settings globally: <ul style="list-style-type: none"><li>■ to this device only with Apply, or</li><li>■ to all devices within this group with Apply to Group, or</li><li>■ to all devices (of the <i>same device type</i> for <i>all controllers</i>) with Apply to All.</li></ul> The option settings are applied to all instances.
Reset	Returns the option values to their default settings and closes the test parameter option menu.
Cancel	Ignores any changes made to option values and closes the test parameter option menu.

---

**Note** – The Test Parameter Options Dialog Box descriptions also apply to the Test Parameter Options menu in the TTY interface.

---

---

**Note** – The Test Parameter Options Dialog Box descriptions also apply to the OPEN LOOK interface. However, the Apply to Group and Apply to All buttons are not available in the SunVTS OPEN LOOK user interface.

---

---

**Note** – The SunVTS OPEN LOOK user interface may not support the latest SunVTS features. For full feature support, use the SunVTS CDE or TTY interface. The SunVTS OPEN LOOK user interface will be sustained, but not enhanced, as long as OPEN LOOK is supported in the Solaris environment.

---

## Running a Test From the Command Line

In some cases it may be more convenient to run a single SunVTS test from the command line rather than through a SunVTS user interface. The following information describes how to do this.

Unless specified, the test runs without the SunVTS kernel (`vtstk`). All events and errors are sent to `stdout` or `stderr` and are not logged in the log files.

When you run a test in this way, you must specify all test options in the form of command-line arguments.

There are two types of command-line arguments:

- Standard arguments—common to all tests. Refer to TABLE 1-4 for details.
- Test specific arguments—unique to a specific test. Refer to the test-specific chapters in this book for details.

The standard syntax for all SunVTS tests is:

```
testname [-scruidtelnf] [-i number] [-w number] [-o test_specific_arguments]
```

---

**Note** – 64-bit tests are located in the `sparcv9` subdirectory: `/opt/SUNWvts/bin/sparcv9/testname`. If a test is not present in this directory, then it may only be available as a 32-bit test. For more information refer to “32-Bit and 64-Bit Tests” on page 3.

---

## Standard Command-Line Arguments

The following table defines the standard SunVTS command-line arguments:

**TABLE 1-4** Standard Command-Line Arguments

Argument	Definition
-s	Run a test as though it were invoked from the SunVTS kernel ( <code>vtsk</code> ). This causes the test to send output to an RPC port that the SunVTS kernel is using. The default is to send the output to <code>stdout</code> or <code>stderr</code> .
-c	Enables a core image of the test process to be created in the current working directory upon receipt of certain signals, otherwise those signals are caught and handled to prevent a core from being generated. The default is to disable the creation of a core image.
-r	Enables run on error so that when an error occurs, the test continues with the next test sequence instead of exiting. The default is false.
-u	Displays command line usage information.
-v	Runs the test in Verbose mode and displays messages with more detailed information about the testing process. The default is false.
-d	Runs the test in debug mode and displays messages to help programmers debug their test code. The default is false.
-t	Runs the test in test Trace mode and displays messages that track function calls and sequences currently in use by the test code. The default is false.
-e	Runs the test in Stress mode by increasing the system load. The default is false.



**TABLE 1-4** Standard Command-Line Arguments

Argument	Definition
-l	Runs the test in Online Functional mode. This is the same mode that tests run in when executed with the <code>vtsui.online</code> command. It is a non-intrusive version that will not significantly affect other applications. See the note below. The default is true.
-n	Runs the test in Connection mode. See the note below. The default is false.
-f	Runs the test in full Functional test mode. This mode assumes that the test has complete control of the device under test. See the note below. The default is false.
-i <i>number</i>	Defines the number of instances for scalable tests.
-w <i>number</i>	For scalable tests, defines to which instance the test is assigned.
-o	Used to indicate that the options and arguments that follow are test specific.

---

**Note** – Separate each test-specific argument by commas, with no space after each comma.

---



---

**Note** – If you choose to specify a test mode with the `l`, `n`, or `f` option, specify only one option at a time because only one test mode can be selected at a time.

---

## Test-Specific Arguments

There are test-specific arguments, as described in TABLE 1-5 Test-specific arguments follow the format specified in the `getsubopt(3C)` man page. For information about test-specific arguments refer to the specific test chapter in this book.

**TABLE 1-5** SunVTS Test-Specific Arguments

Argument	Definition
-o	Separate each test-specific argument by commas, with no space after the each comma. For example: <pre>#!/sample -v -o dev=/dev/audio,volume=78</pre> <p>The test option format is specified by the man page <code>getsubopt(3C)</code>.</p>

---

# Testing Multiple Frame Buffers

The following rules apply when you test multiple frame buffers (displays) simultaneously:

- You can test multiple frame buffers on a system at the same time, but only one frame buffer can run the window environment.
- To avoid incorrect test failures, for those frame buffer tests that have a window locking option, the frame buffer that runs the window environment, such as CDE or OPEN LOOK software, must have window locking enabled. Any other frame buffers must have window locking disabled.



---

**Caution** – If window locking is disabled (unlocked) on frame buffers that are running, the SunVTS tests can return false error messages if you move the mouse during testing. Even a slight mouse movement can cause a test to fail.

---

- By default, SunVTS enables window locking on the console monitor (frame buffers that are the `/dev/fb` named device).
- If you are running a frame buffer test from a command line, you can disable window locking by specifying a command-line argument (see the test command-line descriptions in this manual). For example, when running the generic frame buffer test (`fbtest`), use the `lock=e/d` option to enable or disable window locking. The example below shows the command that enables window locking (frame buffer locking):

```
#./fbtest -o dev=cgthree0,lock=e
```

## Remote Testing of Frame Buffers

The frame buffer locking option does not work when you start `sunvts` or `vtsk` remotely. In this case, disable the window locking option to `d`. Do not run any graphic programs (including `vtsui`) on that frame buffer during graphic testing.

## Advanced Frame Buffer Test (afbtest)

---

`afbtest` verifies the functionality of the advanced frame buffer.

`afbtest` can detect and adapt to the various video modes of the advanced frame buffer (AFB). Instead of only running in one standard graphics mode, all tests can run in any mode. In stereo mode, all tests write into the right and left eyes unless you specify otherwise.

You can interrupt `afbtest` using Control-C. Turn off all other keyboard input if OPEN LOOK is running on the unit being tested.

Test accuracy is checked using a checksum algorithm. Possible locations of failing pixels are colored chartreuse to help visually identify their position.



---

**Caution** – Do not run any other application or screen saver program that uses the AFB accelerator port while running `afbtest`. This combination causes SunVTS to return incorrect errors.

---

---

### `afbtest` Test Requirements

Disable all screen savers before testing any graphics device. Type `xset s off` at a UNIX prompt to disable the Solaris screen saver.

`afbtest` requires approximately 29 Mbytes of disk space in the `/tmp` directory to extract its working files. If this space is not available, the diagnostic will fail and report warning and error messages, indicating a lack of disk space.

---

**Note** – Do not run Open Windows across multiple monitor while running `afbtest`, otherwise the test will return errors.

---

## afbtest Options

To reach the dialog box below, right-click on the test name in the System Map and select Test Parameter Options. If you do not see this test in the System Map, you might need to expand the collapsed groups, or your system may not include the device appropriate to this test. Refer to the *SunVTS User's Guide* for more details.

By default, all `afbtest` options are enabled.

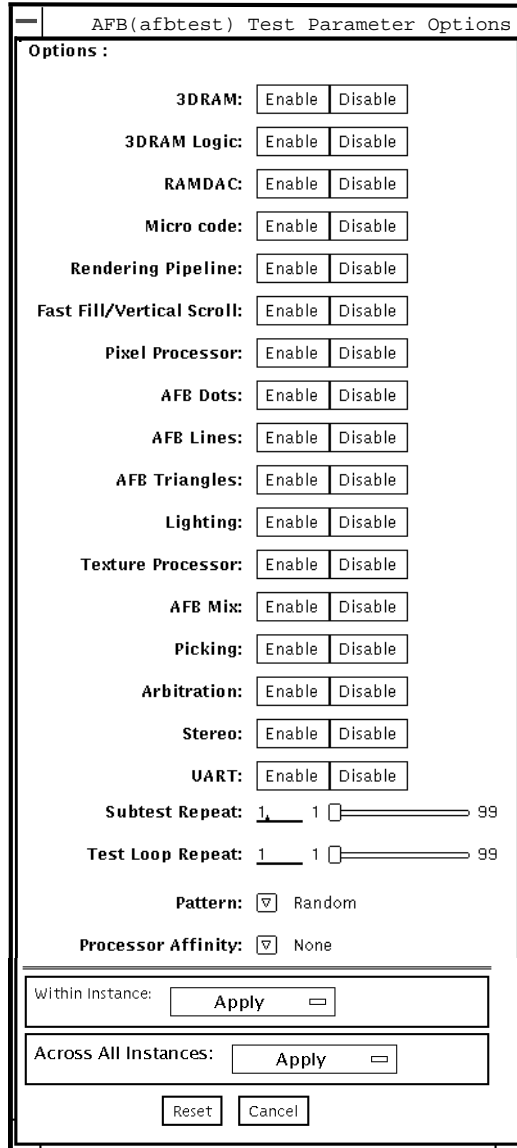


FIGURE 2-1 afbtest Test Parameter Options Dialog Box

**TABLE 2-1** afbtest Options

afbtest Options	Description
3DRAM test	<p data-bbox="529 326 1219 517">The 3DRAM test thoroughly tests the video memory in the AFB using 512-bit reads and writes. 3DRAM makes a full-screen pass, consisting of a write and a read to each pixel location, for each access mode on the list below. The data used can be either random or specified by the user. A second pass is made with the one's complement of the data used in the first pass so that each memory location is tested with both a zero and a one.</p> <p data-bbox="529 552 1219 604">Errors in this subtest are attributes to the 3DRAM. A failing chip is indicated by (x, y) locations and device-specific "U" numbers.</p> <ul data-bbox="529 638 986 933" style="list-style-type: none"><li data-bbox="529 638 986 661">• DFB8R, DFB8G, DFB8B, DFB8X—Buffer A</li><li data-bbox="529 670 729 692">• DFB24—Buffer A</li><li data-bbox="529 701 729 723">• DFB32—Buffer A</li><li data-bbox="529 732 965 755">• SFB8R, SFB8G, SFB8B, SFB8X—Buffer A</li><li data-bbox="529 763 965 786">• SFB8R, SFB8G, SFB8B, SFB8X—Buffer B</li><li data-bbox="529 795 725 817">• SFB32—Buffer A</li><li data-bbox="529 826 725 848">• SFB32—Buffer B</li><li data-bbox="529 857 725 880">• SFB32—Buffer C</li><li data-bbox="529 888 803 911">• SFB64—Buffers A and C</li><li data-bbox="529 920 803 942">• SFB64—Buffers B and C</li></ul>

**TABLE 2-1** afbtest Options

afbtest Options	Description
3DRAM logic test	<p data-bbox="608 239 1276 291">The 3DRAM Logic test provides logical functionality to the AFB. The following services are tested:</p> <ul data-bbox="608 326 993 843" style="list-style-type: none"><li>• Compare Controls—Match AB</li><li>• Compare Controls—Magnitude AB</li><li>• Compare Controls—Match C</li><li>• Compare Controls—Magnitude C</li><li>• Match Mask—AB</li><li>• Magnitude Mask—AB</li><li>• Match Mask—C</li><li>• Magnitude Mask—C</li><li>• Raster Operations—RGB</li><li>• Raster Operations—X</li><li>• Raster Operations—YZ</li><li>• Plane Mask—RGB</li><li>• Plane Mask—X</li><li>• Plane Mask—Y</li><li>• Plane Mask—Z</li><li>• Group Enable—R, G, B, X</li><li>• Group Enable—Y, Z</li></ul> <p data-bbox="608 874 1300 1095">Each function is tested separately with a series of SFB64 writes. A total of 16 writes are made for each different test case with Y coordinate values varying from 0 to 30 in increments of 2 pixels. This dotted column organization provides page thrashing and block flashing in all screen resolutions. For each operation all possible combinations are tested. For example, in <code>ROP RGB new==old</code> there are three possible values: <code>new &lt; old</code>, <code>new == old</code>, and <code>new &gt; old</code>. Each of these cases are tested.</p> <p data-bbox="608 1126 1300 1263">Five passes of the functions are made. Each pass writes into a different AFB address space: SFB32-A, SFB32-B, SFB32-C, SFB64-AC, and SFB64-BC. Note that the passes that write into the SFB32 address spaces are writing two pixels at a time because the tests use SFB64 writes.</p> <p data-bbox="608 1295 1286 1347">Care is taken to ensure that all 3DRAM chips are tested. Errors in this subtest are attributed to the 3DRAM.</p>

**TABLE 2-1** afbtest Options

afbtest Options	Description
RAMDAC test	<p>RAMDAC registers are tested using simple read/write patterns to determine if there are any bad bits. This includes all LUTs (4 CLUTs, PWLUT and OWLUT). afbtest ensures that data is actually being read from the RAMDAC and not being supplied by the driver.</p> <p>RAMDAC on AFB can be in SEP8 or Combined mode. RAMDAC test detects the RAMDAC mode and tests the RAMDAC output for that mode. The RAMDAC Signature Register captures the pixels going to the screen. This test determines that all of the different data paths within the RAMDAC are functioning properly.</p> <p>The data pattern is designed so all the data paths are tested. i.e., All CLUTs, PWLUTs, and OWLUTS. A cursor is also displayed on the screen.</p> <p>Errors in this test are attributed to the RAMDAC.</p>
Microcode test	<p>Microcode test generates the checksum for the microcode of the each enabled float and compares all the checksums for equality.</p> <p>Errors in this test are attributed to the microcode PROMS &amp; SRAMS.</p>
Rendering Pipeline test	<p>Rendering Pipeline test uses the rendering pipeline tests developed for the FFB stand-alone diagnostics. Each FFB primitive is tested thoroughly with a variety of sources and configurations:</p> <ul style="list-style-type: none"><li>• Dots</li><li>• Anti-aliased dots</li><li>• Lines using all four line drawing primitives</li><li>• Triangles</li><li>• Polygons</li><li>• Rectangles</li><li>• Fonts</li></ul> <p>Errors in this test are attributed to the Draw Chips.</p>
Fast Fill/Vertical Scroll test	<p>Fast Fill/Vertical Scroll primitives are separated from the Rendering Pipeline tests because of their dependence on screen type. There are three different tests, one for each screen type. Each test uses both block and page mode fast_fills.</p> <p>Errors in this test are attributed to the Draw Chips.</p>



**TABLE 2-1** afbtest Options

afbtest Options	Description
Pixel Process test	<p>The Pixel Processor test, a subtest, exercises the options selected by the AFB's Pixel Processor Control (PPC) register:</p> <ul style="list-style-type: none"><li>• Auxiliary clipping (additive and subtractive)</li><li>• Depth cueing</li><li>• Alpha blend</li><li>• Viewport clip (2D and 3D)</li><li>• Area pattern (transparent and opaque)</li></ul> <p>Errors in this test are attributed to the Draw Chips.</p>
AFB Dots test	<p>This test uses the AFB primitive tests developed for the AFB stand-alone diagnostics. AFB Dots are tested thoroughly with a variety of sources and configurations:</p> <ul style="list-style-type: none"><li>• Dots</li><li>• Anti-aliased dots</li><li>• Big dots</li></ul> <p>Errors in this test are attributed to the Command &amp; Draw Chips.</p>
AFB Lines test	<p>This test uses the AFB primitive tests developed for the AFB stand-alone diagnostics. AFB Lines are tested thoroughly with a variety of sources and configurations:</p> <ul style="list-style-type: none"><li>• Jaggy lines</li><li>• Anti-aliased lines</li><li>• Lines with patterns</li><li>• Bresenham lines</li><li>• Wide lines drawn as lines and triangles</li></ul> <p>Errors in this test are attributed to the Command &amp; Draw Chips.</p>
AFB Triangles test	<p>This test uses the AFB primitive tests developed for the AFB stand-alone diagnostics. AFB Triangles are tested thoroughly with a variety of sources and configurations:</p> <ul style="list-style-type: none"><li>• Triangles drawn clock wise &amp; counter clockwise</li><li>• Triangles drawn as stripes</li><li>• Independent triangles</li><li>• Triangles drawn as stars</li><li>• Triangles with facet normals</li></ul> <p>Errors in this test are attributed to the Command &amp; Draw Chips.</p>

**TABLE 2-1** afbtest Options

afbtest Options	Description
Lighting test	<p>The Lighting test exercises AFB float and lighting microcode. This test lights an object with maximum number of lights (32) that AFB can handle in hardware. A checksum is generated for the rendered image and compared with the checksum generated for the same image on a known good system.</p> <p>Errors in this test are attributed to the Float &amp; Microcode SRAMS.</p>
Texture Processor test	<p>The Texture Processor test exercises the different options of the AFB's Texture Pixel Processor Control (TPPC) register:</p> <ul style="list-style-type: none"><li>• Texture Minification</li><li>• Texture Magnification</li><li>• Blend</li><li>• Decal</li><li>• Modulation</li></ul> <p>Errors in this test are attributed to the Draw Chips.</p>
AFB Mix test	<p>The AFB Mix test draws different primitives with variety combinations of sources and configurations, exercising all the Draw, Float, Microcode, and 3DRAM chips on AFB. This test is to stress the AFB.</p> <p>Errors in this test are attributed to Draw, Float, Microcode, and/or 3DRAM Chips.</p>
Picking test	<p>The Picking test exercises the pick detect login of the 3DRAM. We define a pick detect window and make sure that writes to the window are picked, and writes outside the window are not picked. The test is repeated once for each 3DRAM.</p> <p>Errors in this test are attributed to the 3DRAM.</p>
Arbitration test	<p>The Arbitration test, a subtest, continuously renders an object into the accelerator port while doing reads and writes through the direct port. A picture is rendered into all 32 planes of the B buffer while the other process does 32-bit DFB reads and writes in the A plane. This subtest simulates conditions in the real world, where rendering processes and windows operations run concurrently.</p> <p>Errors in this test are attributed to the Context switching between DFB and SFB.</p>

**TABLE 2-1** afbtest Options

afbtest Options	Description
Stereo test	<p>Stereo test displays an object in stereo mode with different images for the right and left eye. The user can verify proper operation by looking at the screen with stereo glasses and following the instructions being displayed. If the monitor type is not 1280x1024 at 76MHz, this test prints a warning message and does not execute. To prevent this message from being displayed or written to the SunVTS information log, disable the stereo test in the Test Parameter Options dialog box. Only Sony P4 and N2 monitors support stereo resolutions. This test temporarily switches the monitor into stereo mode, renders a stereo image, performs a signature analysis on the stereo image (using the RAMDAC signature capture register), and after displaying the image for five seconds, restores the monitor to its previous resolution.</p> <p>Errors in this test are attributed to the RAMDAC.</p>
UART test	<p>The UART test tests both UART0 and UART1. First, UART memory is tested using simple read/write patterns to determine if there are any bad bits. Then data is written to UART 0/1 and the written data is read using the internal loopback in polling mode. The read data is verified with written data.</p> <p>Errors in this test are attributed to UART and its SRAM memory chip.</p>

## afbtest Test Modes

Due to the nature of graphic tests, reading data from, or writing data to the frame buffer during graphic tests will disturb user operation. For this reason, afbtest is only available in offline Functional test mode.

**TABLE 2-2** afbtest Test Modes

Test Mode	Supported?	Description
Connection	No	Not supported
Functional (Offline)	Yes	Runs the full set of tests
Functional (Online)	No	Not supported

# afbtest Command-Line Syntax

`/opt/SUNWvts/bin/afbtest standard_arguments -o dev=device_name, S=subtest_number, F=#_of_subtest_loops, B=#_of_test_loops, P=test_pattern`

TABLE 2-3 afbtest Command-Line Syntax

Argument	Explanation
<code>dev=device_name</code>	<code>device_name</code> is the relative path name of the device being tested with respect to <code>/dev/fbs</code> ; The default is <code>afb0</code> .
<code>S=subtest_number</code>	<code>subtest_number</code> is the test number of the subtest to be run. Select from the subtests below. You can run multiple subtests by adding the subtest numbers together. For example, <code>n=0x3</code> runs both test 1 and test 2; <code>n=0x180</code> runs both test <code>0x080</code> and test <code>0x100</code> . You do not need the leading zeros. <code>n=0x00001</code> 3DRAM <code>n=0x00002</code> 3DRAM Logic <code>n=0x00004</code> RAMDAC <code>n=0x00008</code> Micro code <code>n=0x00010</code> Rendering Pipeline <code>n=0x00020</code> FastFill/Vertical Scroll <code>n=0x00040</code> Pixel Processor <code>n=0x00080</code> AFB Dots <code>n=0x00100</code> AFB Lines <code>n=0x00200</code> AFB Triangles <code>n=0x00400</code> Lighting <code>n=0x00800</code> Texture Processor <code>n=0x02000</code> AFB Mix Test <code>n=0x04000</code> Picking <code>n=0x08000</code> Arbitration <code>n=0x10000</code> Stereo <code>n=0x40000</code> UART
<code>F=#_of_subtest_loops</code>	The number of times to repeat each subtest. The default is 1.
<code>B=#_of_test_loops</code>	The number of times to repeat a test loop before passing. The default is 1.
<code>P=test_pattern</code>	The test pattern number. The default is <code>r</code> , for random patterns. You may also choose 0 for <code>0x0000000</code> , 3 for <code>0x33333333</code> , 5 for <code>0x55555555</code> , or 9 for <code>0x99999999</code> .

---

**Note** – 64-bit tests are located in the `sparcv9` subdirectory: `/opt/SUNWvts/bin/sparcv9/testname`. If the test is not present in this directory, then it may only be available as a 32-bit test. For more information refer to “32-Bit and 64-Bit Tests” on page 3.

---

---

## afbtest Error Messages

Errors returned by `afbtest` are nonspecific: It is not possible to determine which component caused a failure. In all error conditions, the field replaceable unit (FRU) is the entire AFB.

**TABLE 2-4** `afbtest` Error Messages

	<b>Error Message</b>	<b>Probable Cause(s)</b>	<b>Recommended Action</b>
6000	<i>string</i> error: 3DRAM Memory error <i>string</i> Plane at ( <i>data,data</i> ) Expected = 0x%02x, actual = 0x%02x, xor = 0x%02x	Faulty frame buffer.	If the problem persists, contact your authorized Sun service provider.
6002	<i>string</i> error: 3DRAM Memory error <i>string</i> Plane at ( <i>data,data</i> ) Expected = 0x%06x, actual = 0x%06x, xor = 0x%06x		
6004	<i>string</i> error: 3DRAM Memory error <i>string</i> Plane at ( <i>data,data</i> ) Expected = 0x%08x, actual = 0x%08x, xor = 0x%08x		
6006	<i>string</i> error: 3DRAM Memory error <i>string</i> Mode, Plane A at ( <i>data,data</i> ) Expected = 0x%08x, actual = 0x%08x, xor = 0x%08x		

**TABLE 2-4** afbtest Error Messages (Continued)

	Error Message	Probable Cause(s)	Recommended Action
6008	<p><i>string</i> error: 3DRAM Memory error  <i>string</i> Mode, Plane B at            ( <i>data</i>, <i>data</i> )            Expected = 0x%08x, actual            = 0x%08x, xor = 0x%08x</p>	Faulty frame buffer.	If the problem persists, contact your authorized Sun service provider.
6010	<p><i>string</i> error: 3DRAM Memory error  <i>string</i> Mode, Plane C at            ( <i>data</i>, <i>data</i> )            Expected = 0x%08x, actual            = 0x%08x, xor = 0x%08x</p>		
6012	Misaligned raster	Software error.	Reinstall software or contact your system administrator.
6013	File Not Found Could not open file <i>string</i>		
6014	Could not open file <i>string</i> : <i>string</i>		
6015	Keyword not Found, line <i>data</i>		
6016	Miscompares, starting at <i>string</i>	Faulty frame buffer.	Contact your authorized Sun service representative.
6017	Picking test error. Got a pick hit with picking disabled		
6018	Picking test error. Got a pick hit outside the picking area		
6019	Picking test error. Should have detected a pick hit		
6020	Out of memory	Software system error.	Contact your system administrator.
6021	<i>string</i> failed	Software error.	Reinstall software or contact your system administrator. Check for existence and/or permissions on <i>string</i> . Also check for available space in /tmp.

**TABLE 2-4** afbtest Error Messages (Continued)

	Error Message	Probable Cause(s)	Recommended Action
6022	<i>string</i> failed	Software error.	Reinstall software or contact your system administrator. Check for existence and/or permissions on <i>string</i> .
6023	fork1(2) failed	Software error.	Reinstall software or contact your system administrator.
6024	execl(2) failed		
6025	Unable to open <i>string</i>	Software error.	Reinstall software or contact your system administrator. Check device for existence and/or permissions on <i>string</i> .
6026	ioctl(2) failed trying to read CLUT.	Possible hardware failure, more likely a software driver error.	Reinstall software first. If failure continues, see a system administrator or your authorized Sun service provider.
6027	ioctl(2) failed trying to turn on AFB video.	Possible hardware failure, more likely a software driver error.	Reinstall software first. If failure continues, see a system administrator or your authorized Sun service provider.
6028	ioctl(2) failed trying to post CLUT.		
6029	Miscompare found in Green channel of CLUT entry <i>data</i> . Expected = 0x%02x, Observed = 0x%02x, XOR = 0x%02x.	Faulty frame buffer.	If the problem persists, contact your authorized Sun service provider.
6030	Miscompare found in Green channel of CLUT entry <i>data</i> . Expected = 0x%02x, Observed = 0x%02x, XOR = 0x%02x.		
6031	Miscompare found in Blue channel of CLUT entry <i>data</i> . Expected = 0x%02x, Observed = 0x%02x, XOR = 0x%02x.		

**TABLE 2-4** afbtest Error Messages (Continued)

	<b>Error Message</b>	<b>Probable Cause(s)</b>	<b>Recommended Action</b>
6032	ioctl(2) failed trying to read WID LUT.	Possible hardware failure, more likely a software driver error.	Reinstall software first. If failure continues, see a system administrator or your authorized Sun service provider.
6033	ioctl(2) failed trying to post WID LUT.		
6034	ioctl(2) failed trying to get RAMDAC signature analysis.		
6035	Miscompare found in WID LUT entry <i>data</i> . Expected = 0x%06x, Observed = 0x%06x, XOR = 0x%06x.	Faulty frame buffer.	If the problem persists, contact your authorized Sun service provider.
6036	RAMDAC test failed. The on-screen image is incorrect.		
6037	sysinfo(2) failed getting hostname.	Software error.	Must be superuser
6038	can't acquire console semaphore	Software error.	Reinstall software or contact your system administrator.
6039	Cannot gain control of mouse: <i>string</i>		
6040	Cannot gain control of keyboard: <i>string</i>		
6046	ioctl(2) failed trying to get current video mode.	Possible hardware failure, more likely a software driver error.	Reinstall software first. If failure continues, see a system administrator or your authorized Sun service provider.
6047	ioctl(2) failed trying to set current video mode.		
6048	ioctl(2) failed trying to get AFB system info.		
6049	ioctl(2) failed trying to go into Diagnostic mode.		
6050	mmap(2) failed: <i>string</i> .	Software system error.	Reinstall software or contact your system administrator.
6051	munmap(2) failed: <i>string</i> .		
6052	close(2) failed: <i>string</i> .		
6053	DGA error grabbing window on screen <i>data</i> .		
6054	DGA error getting window from token on screen <i>data</i> .		



**TABLE 2-4** afbtest Error Messages (Continued)

Error Message	Probable Cause(s)	Recommended Action
6055 ioctl(2) failed trying to read Transparent Overlay registers.	Possible hardware failure, more likely a software driver error.	Reinstall software first. If failure continues, see a system administrator or your authorized Sun service provider.
6056 ioctl(2) failed trying to post Transparent Overlay registers.		
6057 ioctl(2) failed trying to post cursor.		
6058 ioctl(2) failed trying to read cursor.		
6059 No AFB device found on display 0.	The environmental variable <i>DISPLAY</i> is set wrong or the display being used is not using an AFB.	Set the variable to a display that has the AFB plugged into it.
6060 There is an inconsistency with the version of the X Window System.	Software error.	Contact your system administrator.
6061 stat(2) failed trying to get info about Device Under Test.	Software error.	Reinstall software or contact your system administrator.
6062 stat(2) failed trying to get info about screen 0: <i>data</i> .		
6063 Can't access XWindows.	Software error.	Try running <i>xhost(1)</i> or contact your system administrator.
6064 wait(2) failed: <i>string</i>	Software error.	Reinstall software or contact your system administrator.
6065 signal(2) failed: <i>string</i>		
6066 thr_kill(2) failed		
6067 thr_join(2) failed: <i>string</i>		
6071 To get signatures, run afbtest from the command line.		
6072 Stereo image incorrect	Faulty frame buffer.	If the problem persists, contact your authorized Sun service provider.

**TABLE 2-4** afbtest Error Messages (Continued)

	Error Message	Probable Cause(s)	Recommended Action
6075	System LWP limit exceeded.	Software error.	Reinstall software or contact your system administrator.
6076	Error <i>data</i> creating thread.		
6104	Error in getting the length of the file. <i>string</i>		
6105	Stencil test failed <i>string</i>	Faulty 3DRAM.	If the problem persists, contact your authorized Sun service provider.
6106	Passin test failed <i>string</i>		
6107	Blend2 test failed <i>string</i>		
<b>6108</b>	Couldn't create lock file <i>string</i>	No permission or lack of space in /tmp.	Free some space in /tmp directory. Check permissions of /tmp.
6115	<i>string</i> error: GCopY error <i>string</i> at ( <i>data</i> , <i>data</i> ) Expected = 0x%02x, actual = 0x%02x, xor = 0x%02x.	Faulty frame buffer.	If the problem persists, contact your authorized Sun service provider.
6116	<i>string</i> error: GCopY AFB to Memory error <i>string</i> at ( <i>data</i> , <i>data</i> ) Expected = 0x%02x, actual = 0x%02x, xor = 0x%02x.		
6117	<i>string</i> error: GCopY Memory to AFB error <i>string</i> at ( <i>data</i> , <i>data</i> ) Expected = 0x%02x, actual = 0x%02x, xor = 0x%02x.		
6208	ioctl(2) failed trying to post Overlay WID LUT.	Possible hardware failure, more likely a software driver error.	
6209	ioctl(2) failed trying to post Primary WID LUT.		Reinstall software first, if failure continues, see a system administrator or your authorized Sun service provider.
6210	Miscompare found in Overlay WID LUT entry <i>data</i> . Expected = 0x%06x, Observed = 0x%06x, XOR = 0x%06x.	Faulty frame buffer.	
6211	Miscompare found in Primary WID LUT entry <i>data</i> .		

**TABLE 2-4** afbtest Error Messages (Continued)

	<b>Error Message</b>	<b>Probable Cause(s)</b>	<b>Recommended Action</b>
6212	ioctl(2) failed trying to read CLUT # <i>data</i> .	Possible hardware failure, more likely a software driver error.	Reinstall software first, if failure continues, see a system administrator or your authorized Sun service provider.
6213	ioctl(2) failed trying to post CLUT # <i>data</i> .		
6214	Miscompare found in Red channel of CLUT # <i>data</i> in entry <i>data</i> . Expected = 0x%02x, Observed = 0x%02x, XOR = 0x%02x.	Faulty frame buffer.	If the problem persists, contact your authorized Sun service provider.
6215	Miscompare found in Green channel of CLUT # <i>data</i> in entry <i>data</i> . Expected = 0x%02x, Observed = 0x%02x, XOR = 0x%02x.		
6216	Miscompare found in Blue channel of CLUT # <i>data</i> in entry <i>data</i> . Expected = 0x%02x, Observed = 0x%02x, XOR = 0x%02x.	Faulty frame buffer.	If the problem persists, contact your authorized Sun service provider.
6217	RAMDAC test failed. The on-screen image in sep 4 mode is incorrect.		
6218	RAMDAC test failed. The on-screen image in sep 8 mode is incorrect.		
6219	RAMDAC test failed. The on-screen image in combined mode is incorrect.		
6220	ioctl(2) failed trying to read Overlay WID LUT.	Possible hardware failure, more likely a software driver error.	Reinstall software first, if failure continues, see a system administrator or your authorized Sun service provider.
6221	ioctl(2) failed trying to read Primary WID LUT.		
6222	Couldn't bind afbtest and its threads to processor# <i>data</i> .	User does not have permission or system error.	If the problem persists, contact you system administrator, or an authorized Sun service provider.

**TABLE 2-4** afbtest Error Messages (Continued)

	<b>Error Message</b>	<b>Probable Cause(s)</b>	<b>Recommended Action</b>
6230	L-core checksum mismatch, L-core Checksum of Float #data = 0xvalue	Possible hardware failure.	If the problem persists, contact your authorized Sun service provider
6231	S-core checksum mismatch, S-core Checksum of Float #data = 0xvalue		
6232	F-core checksum mismatch, F-core Checksum of Float #data = 0xvalue		
6233	F-core SRAM error in Float #data, Failing address = 0xvalue, expected data = 0xvalue, actual data = 0xvalue, XOR of expected and actual data = 0xvalue, F-core checksum = 0xvalue		
6234	L-core SRAM error in Float #data, Failing address = 0xvalue, expected data = 0xvalue, actual data = 0xvalue, XOR of expected and actual data = 0xvalue, L-core checksum = 0xvalue		
6235	S-core SRAM error in Float #data, Failing address = 0xvalue expected data = 0xvalue, actual data = 0xvalue, XOR of expected and actual data = 0xvalue, S-core checksum = 0xvalue		
6300	Couldn't reset UARTn	Faulty UART or some other application or test is using the UARTn.	Try stopping other applications or tests that use the UART. If the problem persists, contact your authorized Sun service provider.

**TABLE 2-4** afbtest Error Messages (Continued)

	<b>Error Message</b>	<b>Probable Cause(s)</b>	<b>Recommended Action</b>
6301	UART memory test failed. Error occurred in memory of UART <i>n</i> . data at location 0x <i>value</i> expected 0x <i>value</i> = <i>data</i> actual data = <i>data</i>	Faulty UART. Or some other application/test is using the UART.	Try stopping other applications/tests that use the UART. If the problem persists, contact your authorized Sun service provider.
6302	Couldn't baud rate of UART <i>n</i> <i>data</i> to <i>data</i> .		
6303	UART loopback test failed. Loopback cable is missing on UART <i>n</i> .		
6304	UART loopback test failed. Couldn't send data through UART <i>n</i> .		
6305	UART loopback test failed. TxRdy not ready. Timed out while polling UART <i>n</i> .		
6306	UART loopback test failed. Buffer pointer of UART <i>n</i> data didn't advance.		
6307	UART loopback test failed. Couldn't read data from UART <i>n</i> .		
6308	UART Fill Buffer test for UART <i>n</i> failed. Transmitter not ready.		
6309	UART Fill Buffer test for UART <i>n</i> failed. Data mismatch at memory location 0x%08x.		
8000	Real user ID of current instance of afbtest is not root.	Not logged in as root.	Log in as root. If the problem persists, contact your authorized Sun service provider.



## SunATM Adapter Test (`atmtest`)

---

`atmtest` checks the functionality of the SunATM-155 and SunATM-622 SBus and PCI bus adapters.

It runs only in loopback (external or internal) mode. The asynchronous transfer mode (ATM) adapter, and ATM device driver must be present. To run the `atmtest` in external loopback mode, a loopback connector must be attached to the ATM adapter. The internal loopback mode does not require a loopback connector.

`atmtest` uses DLPI RAW mode to talk to the device driver. It establishes a virtual circuit (VC) to send a message, receive a message, and compare messages. If the message does not match, or the message is out of sequence, it displays an error message.

Using a random number generator, `atmtest` sends data into a data buffer and then sends each message from a different starting point. This assures that no two consecutive messages are the same.

`atmtest` can test more than one virtual circuit. The more virtual circuits used increases the stress level of the test. `atmtest` automatically selects the virtual circuit number which is unique to the test.

`atmtest` is nonscalable as it provides for more than one virtual circuit to be tested for each instance, which is adequate for the purpose of a stress test.

---

## `atmtest` Test Requirements

`atmtest` can only be selected when the Intervention mode is enabled since it requires a loopback connector for external loopback testing. While Intervention mode is enabled, `atmtest` and `nettest` are both available as default selections, however, you must deselect `nettest` when testing the ATM device.

Bring the ATM interface down to make sure that the interface is in offline mode before running `atmtest`.

---

**Note** – Do not run `nettest` while running `atmtest`.

---

## atmtest Options

To reach the dialog box below, right-click on the test name in the System Map and select Test Parameter Options. If you do not see this test in the System Map, you might need to expand the collapsed groups, or your system may not include the device appropriate to this test. Refer to the *SunVTS User's Guide* for more details.



### Sa0(atmtest) Test Parameter Options

**Configuration:**  
 Host\_Name: ss5-4-net191  
 Host Address: 172.18.191.34  
 Host ID: 80720852  
 Domain Name: nettest.eng.sun.com

**Options:**

Total\_packets: ▲ ▼

Number\_of\_VC: ▲ ▼

MAX\_PKT\_LEN: ▲ ▼

Outstanding\_Pkts: ▲ ▼

First\_VC\_no: ▲ ▼

Bandwidth: ▲ ▼

Loopback:  External  Internal

Print\_Warning:  Enable  Disable

---

Within Instance:

Across All Instances:

FIGURE 3-1 atmtest Test Parameter Options Dialog Box

**TABLE 3-1** atmttest Options

Options	Description
Configuration	The post address, host ID, and domain name of the system being tested.
Total packets	The total number of packets sent. The default number of packets sent is 10000.
Number of VC	The number of virtual circuits to be set up by one instance. The default number of virtual circuits is 2for each instance. The atmttest uses these two virtual circuits to send out messages simultaneously. The message is received in sending order.
Loopback	Enables the user to select either the external loopback field or internal loopback field. The default selection is the external loopback field. A loopback connector is only needed for external loopback testing.
MAX_PKG_LEN	The maximum packet length to be used by the test to send out the data. The default number is 9140.
Outstanding_pkts	Describes the maximum number of outstanding packets. atmttest stops sending messages when the outstanding packet count is more than the number of packets this field specifies.
First_VC_no	Enables the user to set up the starting virtual circuit number to be used for each atmttest instance. atmttest can automatically avoid virtual circuit numbers that have already been used.
Bandwidth	Enables the user to select different bandwidths to test. The default number is 14.

---

# atmtest Test Modes

**TABLE 3-2** atmtest Test Modes

Test Mode	Supported?	Description
Connection	No	Not supported
Functional (Offline)	Yes	Runs the full set of tests
Functional (Online)	No	Not supported

---

# atmtest Command Line Syntax

```
/opt/SUNWvts/bin/atmtest standard_arguments -o  
dev=device,tpkts=n,nv=n,ml=n,bw=n,opkts=n,ld,sd,sl,nc,ns,vcf
```

**TABLE 3-3** atmtest Command Line Syntax

Argument	Explanation
<b>dev=device</b>	Specifies the device name to be tested, such as <code>ba0</code> or <code>sa0</code> .
<b>tpkts=n</b>	Specifies the number of packets to loopback [1.2147483647].
<b>nv=num_vc</b>	Specifies the number of simultaneous virtual circuits to be tested.
<b>ml=max_len</b>	Specifies the maximum length of the random packet.
<b>bw=bandwidth</b>	Specifies the bandwidth in MBits/s of a virtual circuit.
<b>opkts=n</b>	Specifies the number of packets for each virtual circuit that can be transmitted without receiving a corresponding packet.
<b>ld</b>	The internal loopback mode is selected.
<b>sd</b>	Changes the payload data to static instead of random.
<b>sl</b>	Changes all packets to their maximum length.
<b>nc</b>	Instructs the test not to check the receive payload (improves throughput).
<b>ns</b>	Instructs the test not to exit on a packet reception failure.
<b>vcf=n</b>	Specifies the first virtual circuit number used.

---

**Note** – 64-bit tests are located in the `sparcv9` subdirectory: `/opt/SUNWvts/bin/sparcv9/testname`. If the test is not present in this directory, then it may only be available as a 32-bit test. For more information refer to “32-Bit and 64-Bit Tests” on page 3.

---

---

## atmtest Error Messages

The `atmtest` error messages are listed below with explanations or probable causes:

**TABLE 3-4** `atmtest` Error Messages

Error Message	Probable Cause(s)	Recommended Action
6000 <code>putmsg failed, errmsg=<i>data</i></code>		
6001 <code>getmsg failed, errmsg=<i>data</i></code>		
6002 <code>wrong vc: exp: <i>number</i>, obs: <i>number</i></code>		
6003 <code>VC <i>number</i> bogus pkt, seq: exp=<i>number</i>, obs=<i>number</i>; len: exp=<i>number</i>, obs=<i>number</i></code>		
6004 <code>VC <i>number</i> bad pkt len, EXP: <i>number</i>, OBS: <i>number</i>, seq=<i>number</i></code>		
6005 <code>VC <i>number</i> memcmp error</code>		
6006 <code>VC <i>number</i> failed to rcv a packet</code>		
6007 <code>Complete Usage: <i>string</i> u</code>		
6008 <code><i>string</i>: alarm</code>		
6009 <code><i>string</i>: getmsg</code>		
6010 <code>receive <i>string</i> for <i>string</i> with <i>string</i> error</code>		
6011 <code>DL_OK_ACK was not M_PCPROTO</code>		
6012 <code>short response ctl.len: <i>number</i></code>		

**TABLE 3-4** atmtest Error Messages (Continued)

	<b>Error Message</b>	<b>Probable Cause(s)</b>	<b>Recommended Action</b>
6013	ctl.len sizeof (dl_ok_ack_t): <i>number</i>		
6014	receive <i>string</i> for string with <i>string</i> error		
6015	DL_BIND_ACK was not M_PCPROTO		
6016	ioctl DLIOCRAW failed, errmsg <i>string</i>		
6017	ioctl DL_IOC_HDR_INFO failed, errmsg <i>string</i>		
6018	len= <i>number</i> hdrmax= <i>number</i>		
6019	ioctl ADDVC failed, errmsg <i>string</i>		
6020	ioctl ALLOCBW failed, errmsg <i>string</i>		
8000	open device failed, errmsg= <i>string</i>		
8001	sa_add_vpci failed, errmsg= <i>string</i>		
8002	sa_allocatebw failed, errmsg= <i>string</i>		
8003	atm_attach failed, errmsg= <i>string</i>		



## Audio Test (`audiotest`)

---

The `audiotest` verifies the hardware and software components of the `audio` subsystem. This test supports all Sun `audio` implementations.

The `audio` device is an *exclusive use device*. Only one process or application can interface with it at a time.

This test is not scalable.

---

**Note** – If your platform supports the audio mixer function, the mixer must be turned off or `audiotest` will fail. The UI will alert you in the SunVTS console if you are trying to run the test with the mixer on.

To turn the mixer off, type `mixerctl -o` on the command line.

To turn the mixer back on after the test, type `mixerctl -e` on the command line.

---

The availability of the following subtests depends on the particular `audio` implementation being tested.

---

# audiotest Subtests

**TABLE 4-1** audiotest Subtests

Subtest	Description
Record/Play test	This test plays and records one second of data. It does not check data. This test is run on all audio implementations.
Crystal test	The crystal test measures the accuracy of the crystal that generates the sample rate clock. It does this by playing a one-second signal and then measuring the actual time required to play the signal. This measurement is performed for each of the eight standard sample rates. This test is available for <code>dbri(7)</code> and <code>audiocs(7)</code> audio implementations
Loopback tests	<p>This test verifies the functionality and signal quality of the audio ports. The test simultaneously plays and records a known signal. The recorded signal is analyzed for loop gain and signal-to-noise ratio plus distortion. This is repeated at various sample rates, encodings, precisions and channels.</p> <p>The audio ports that are supported depend on the audio implementation under test. The <code>audiocs(7)</code> implementation supports loopbacks from/to headphone, line-out, microphone, and line-in ports. The <code>dbri(7)/speakerbox</code> implementation supports fewer ports. The <code>audioamd(7)</code> implementation does not support loopback tests. Most tests require a stereo loopback cable.</p> <p>Note: The microphone loopback tests require special hardware and are used by manufacturing centers and special test facilities. Do not invoke the microphone loopback tests unless you have the required hardware.</p>
Controls test	This test verifies the three control buttons on the Sun speakerbox. The Controls test plays music while the user is prompted to press the Volume Down, Volume Up, and Mute buttons in a specific order. If no button is pressed in 30 seconds the test fails. This test is only supported on the <code>dbri(7)/speakerbox</code> implementation.
Audio test	This test plays a 30-second music file out of the speaker or headphone. The full benefit of this test is only realized if the user listens to the output. Badly distorted audio or inaudible music indicates a problem. This test is supported on all audio implementations.

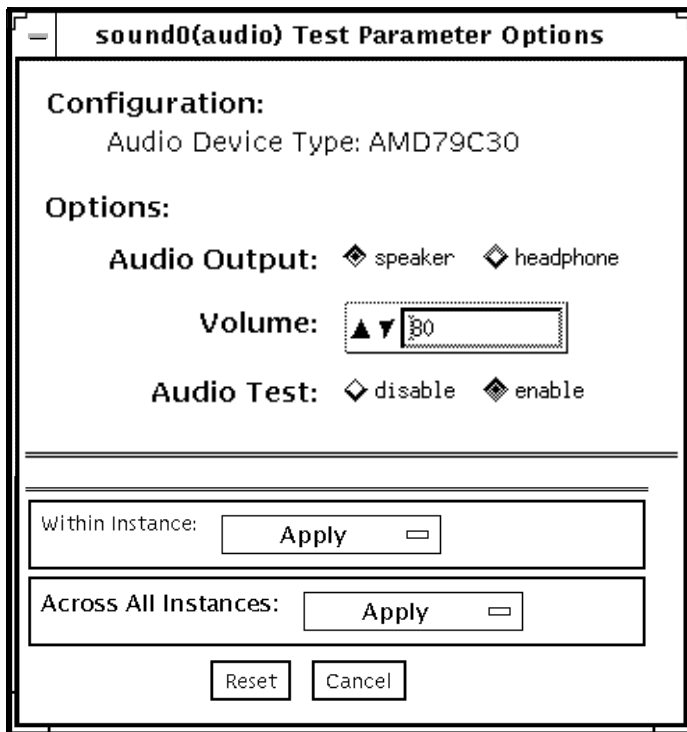


---

# audiotest Options

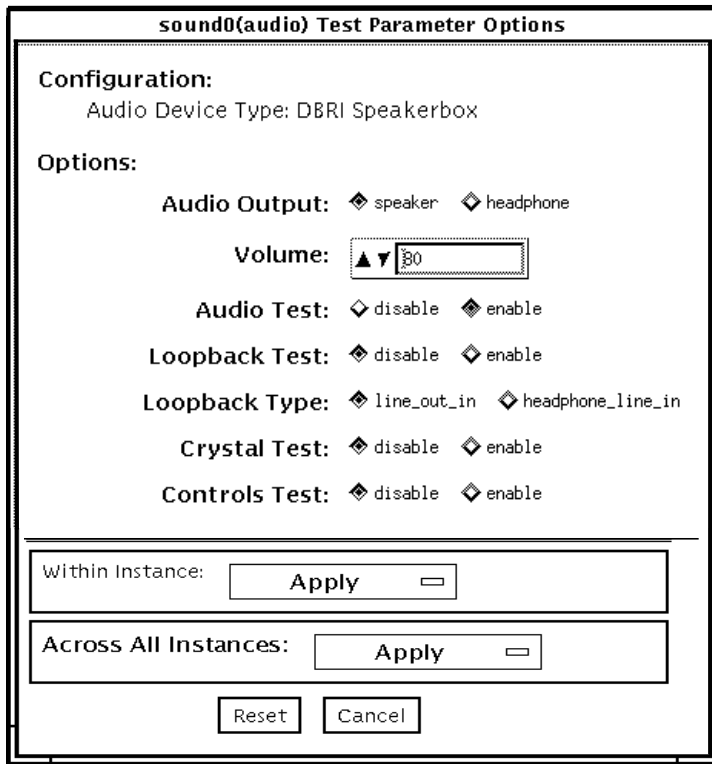
To reach the dialog box below, right-click on the test name in the System Map and select Test Parameter Options. If you do not see this test in the System Map, you might need to expand the collapsed groups, or your system may not include the device appropriate to this test. Refer to the *SunVTS User's Guide* for more details.

Upon startup, the SunVTS probe utility determines which audio implementation is present and adjusts the audiotest option menu appropriately. The possible option menus are as follows:



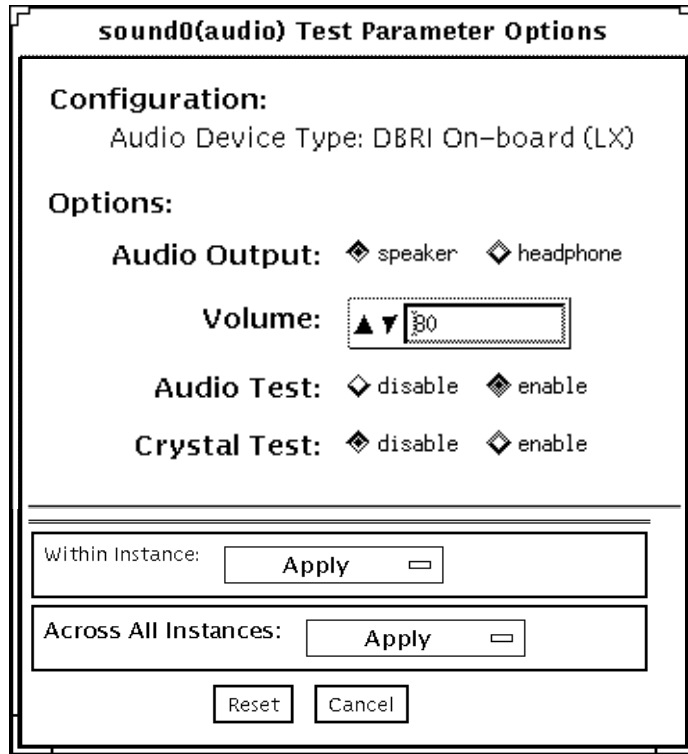
**FIGURE 4-1** audiotest Test Parameter Options dialog box for audioamd(7)

The audioamd(7) is an 8-bit mono, telephone-quality, audio device.



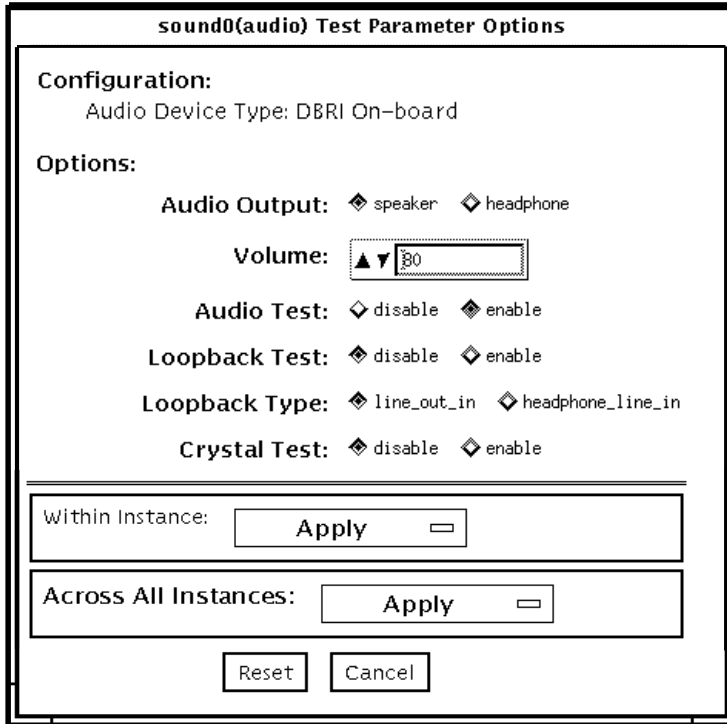
**FIGURE 4-2** audiotest Test Parameter Options dialog box for Speakerbox dbri(7) audio

The speakerbox DBRI is a high-quality 16-bit stereo multimedia (coder/decoder (codec)).



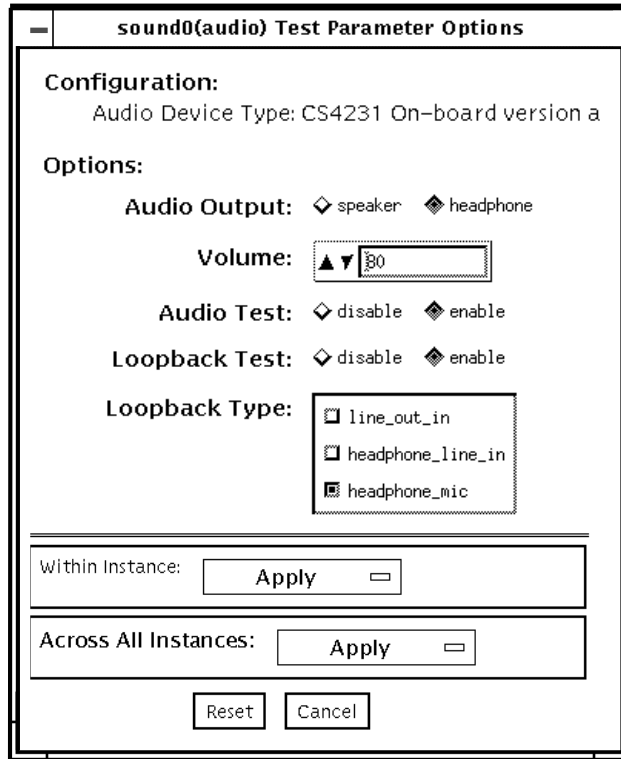
**FIGURE 4-3** audiotest Test Parameter Options dialog box for SPARCstation™ LX dbri (7) without a Speakerbox Attached

The on-board DBRI interface is a high-quality, 16-bit stereo multimedia codec.



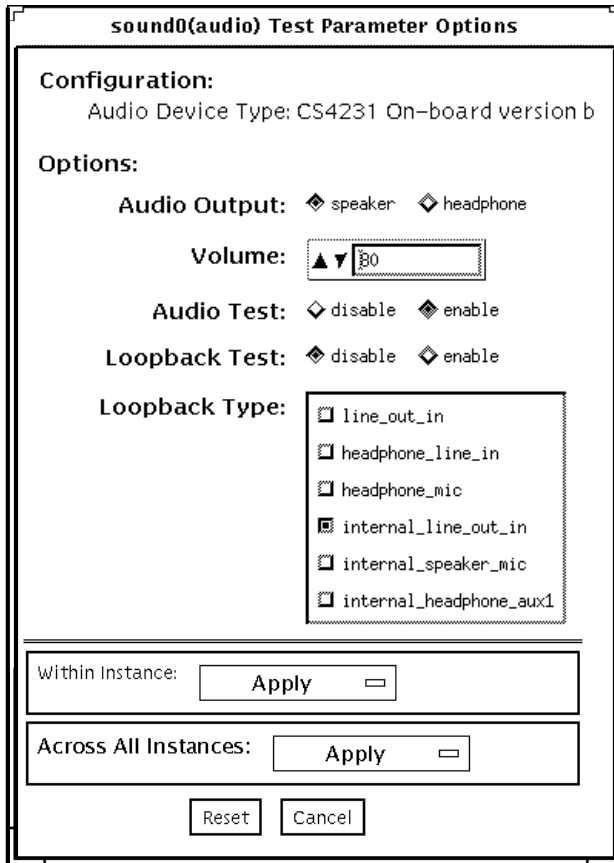
**FIGURE 4-4** audiotest Test Parameter Options dialog box for on-board dbri(7) for SPARCstation 20 and S240

The SPARCstation 20 on-board DBRI is a high-quality 16-bit stereo multimedia codec.



**FIGURE 4-5** audiotest Test Parameter Options dialog box for audiocs(7)

The audiocs(7) is an on-board, high-quality 16-bit stereo multimedia codec.



**FIGURE 4-6** audiotest Test Parameter Options dialog box for audiocs(7) with Internal Loopbacks

The audiocs(7) is an on-board, high-quality 16-bit stereo multimedia codec.

---

**Note** – The internal loopbacks are only active if the audio jacks are unused (nothing connected).

---

Some options can only be selected through the command line. See the command-line option descriptions in “audiotest Command-Line Syntax” on page 48.

**TABLE 4-2** audiotest Options

Option	Description
Audio test	Enables or disables the music play test. This test is enabled by default.
Audio Output	Selects the output port for the music play test.
Volume	Sets the volume for the music play test.
Loopback test	Enables or disables the loopback test. A loopback cable must be installed between the selected ports to run external loopback tests. This test is disabled by default.
Loopback type	Selects the type of loopback test to run.
Crystal test	Enables or disables the crystal test. This test is disabled by default.
Controls test	Enables or disables the speakerbox Controls test. This is an interactive test. The user is prompted to press the control buttons on the speakerbox. This test is disabled by default.

**Note** – Do not run the Crystal test while running other SunVTS tests. The Crystal test is timing-dependent. If the system is too busy, it fails due to time-out errors.

---

# audiotest Test Modes

**TABLE 4-3** audiotest Test Modes

Test Mode	Supported?	Description
Connection test	Yes	A simple open and close is performed. No data is transferred. The test returns a pass if the device can be opened and closed successfully. If the device cannot be opened because it is busy, then it is assumed that the device is successfully connected to another process and the test passes.
Functional (offline)	Yes	The record/play test is run and you can choose to run any of the tests described earlier. In this mode, the test will fail if the device is busy.
Functional (online)	Yes	The record/play test is run. If the device cannot be opened because it is busy, then it is assumed that the device is successfully connected to another process and the test passes.

---

# audiotest Command-Line Syntax

```
/opt/SUNWvts/bin/audiotest standard_arguments -o dev=/dev/sound/  
unit_no,I=/dev/ioctl_device,  
M,L,Q,S,T=loopback_test_type,X,E,LE,CD,CDD=CD_device_name,  
CDT=track_number,CDG=play_gain,CDL=play_time,W,MF=filename,TF=filename
```

**TABLE 4-4** audiotest Command-Line Syntax

Argument	Explanation
dev=/dev/ audio_device	Specifies the audio device to be tested. The default is dev=/dev/audio.
I=/dev/ioctl_device	Specifies the audio ioctl device to be tested. The default is /dev/audiocntl.
M	Enables the Music Play test.
L	Enables the Loopback test.



**TABLE 4-4** audiotest Command-Line Syntax (*Continued*)

Argument	Explanation ( <i>Continued</i> )
Q	Enables the Quality test. This option does the same thing as L option except that it prints an extra status message upon completion.
S	Enables the speakerbox Controls test.
T=loopback_test_type	<p>Specifies the type of Loopback test. The default is 1; the choices are listed below:</p> <ul style="list-style-type: none"> <li>• 0—Codec Internal Loopback (CS4231 audio only)</li> <li>• 1—Line-in/Line-out</li> <li>• 2—Headphone/Line-in</li> <li>• 3—Headphone/Microphone</li> <li>• 4—Speaker/CD-input</li> <li>• I1—Internal Line-in/Line-out</li> <li>• I2—Internal Spk/Mic</li> <li>• I3—Internal Headphone/Aux1</li> <li>• I4—Internal Speaker/Aux1</li> <li>• I5—Internal Headphone/Mic</li> </ul> <p>Note: Test type 0 is always run by default on CS4231 audio implementations. Test types 3 and 4 require special hardware, and are used by manufacturing centers and special test facilities. Do not invoke these tests unless you have the required hardware.</p>
X	Enables the Audio Crystal test.
E	Continues testing if an error occurs.
LE	Loops on error. This plays the signal data in a continuous loop.
CD	Enables the <code>cdtest</code> . This is for systems with an internal CD-ROM drive. A CD disc with music tracks must be loaded prior to running this test.
CDD=CD_device_name	Specifies the raw device name for the CD-ROM drive. The default is <code>CDD=/dev/rdskc0t6d0s0</code> .
CDT=number	Specifies the track number of the CD-ROM to play. The default is to play the first track on the disc.
CDG=play_gain	Specifies the play gain of the CD Play test (0 to 255). The default is 120.
CDL=play_time	Specifies the number of seconds to run the CD Play test. The default is 30 seconds.

**TABLE 4-4** audiotest Command-Line Syntax (Continued)

Argument	Explanation (Continued)
W	Shows warning messages during the Loopback test.
MF=filename	Selects an optional music file.
TF=filename	Specifies an optional tolerance file.

Note: The tolerance file is used by manufacturing centers and special test facilities. Do not use this option unless you are familiar with the tolerance file format.

**Note** – 64-bit tests are located in the `sparcv9` subdirectory: `/opt/SUNWvts/bin/sparcv9/testname`. If the test is not present in this directory, then it may only be available as a 32-bit test. For more information refer to “32-Bit and 64-Bit Tests” on page 3.

## audiotest Error Messages

**TABLE 4-5** audiotest Error Messages

Error Message	Probable Cause(s)	Suggested Action (if applicable)
6000 Signal To Noise ratio too low ( <i>name</i> ) on <i>name</i> , SNR = <i>number</i> db, Min SNR = <i>number</i> db ( <i>text</i> )	Loopback cable is missing or faulty. Audio hardware (usually consistent failures). System software problem (usually intermittent failures).	
6001 Channel Separation too low ( <i>name</i> ), SEP = <i>number</i> db, Min SEP = <i>number</i> db ( <i>text</i> )	Loopback cable is faulty. Audio hardware is faulty (usually consistent failures). System software problem (usually intermittent failures).	
6002 Loop gain is out of range ( <i>name</i> ), <i>name</i> GAIN = <i>number</i> db, Min = <i>number</i> Max = <i>number</i> db ( <i>text</i> )	Loopback cable is missing or faulty. Audio hardware is faulty (usually consistent failures). System software problem (usually intermittent failures).	
8000 Must be super user (root) to execute	The user does not have root privileges.	

**TABLE 4-5** audiotest Error Messages (Continued)

	<b>Error Message</b>	<b>Probable Cause(s)</b>	<b>Suggested Action (if applicable)</b>
8012	Invalid audio device ( <i>device_name</i> ) for Crystal test	The crystal test is not supported on the system audio device.	
8013	Invalid audio device ( <i>device_name</i> ) for Controls test	The system audio device does not support a speakerbox.	
8014	Invalid audio device ( <i>device_name</i> ) for Loopback Quality test	No loopback tests are supported on the system audio device.	
8015	Invalid audio device ( <i>device_name</i> ) for Loopback Quality test (T= <i>number</i> )	The specified Loopback test is not supported on the system audio device. The specified loopback type is not supported on this audio device.	
8020	Incomplete button press sequence	The required button presses were not detected in the time allowed.	
8023	Underrun/Overrun error failure	The audio driver detected underrun or overrun errors while transferring data to the audio device. These errors usually happen when the Loopback test is run while during heavy system activity.	
8027	<i>name</i> : ` <i>name</i> ( <i>name=number</i> , <i>name=number</i> , <i>name=number</i> )` system call timeout. No response after <i>number</i> seconds. Device = <i>device_name</i>	The system call is hanging. Audio hardware (usually consistent failures). System software problem (usually intermittent failures).	
8028	Audio crystal test did not complete in the expected time, rate = <i>number</i> Hz, time = <i>number</i> usecs, min = <i>number</i> , max = <i>number</i>	Excessive loading on the system.	Disable all other tests and try again.
8029	Speaker is an invalid output port for device	The system does not have an on-board speaker.	
8032	Failed ioctl name ( <i>error_message</i> )	The ioctl() system call failed.	See the appended error message.

**TABLE 4-5** audiotest Error Messages (Continued)

	<b>Error Message</b>	<b>Probable Cause(s)</b>	<b>Suggested Action (if applicable)</b>
8033	Failed mmap ( <i>error_message</i> )	The mmap() system call failed.	See the appended error message.
8034	Failed fstat ( <i>error_message</i> )	The fstat() system call failed.	See the appended error message.
8035	Failed ftruncate ( <i>error_message</i> )	The ftruncate() system call failed.	See the appended error message.
8036	Write to audio device returned error condition ( <i>error_message</i> )	The write() system call failed.	See the appended error message.
8037	Read from audio device returned error condition ( <i>error_message</i> )	The read() system call failed.	See the appended error message.
8038	Failed to allocate number bytes of memory ( <i>error_message</i> )	The memory allocation system call failed, most likely due to a lack of system memory resource.	See the appended error message.
8051	Unknown audio device ( <i>name=device_name, config=name</i> )		
8052	Unable to get platform name		
8053	Unknown architecture/audio = <i>name</i> / <i>device_name</i>		
8055	Could not open <i>device_name</i> : <i>error_message</i>	The open() system call failed. Examine system message files (/var/adm/messages) for other information. Device does not respond. No mmcodec device found. Unable to communicate with speakerbox.	
8075	Invalid audio file format	Specified audio file is not in expected format.	
8077	Invalid audio encoding	An unknown audio encoding type was specified.	
8090	Only one <i>name</i> loopback can be selected at a time	The user specified more than one Loopback test on the same port.	
8091	Cannot enable loopback testing without selecting a loopback type	The user enabled loopback testing but did not specify a loopback type.	

## Bidirectional Parallel Port Printer Test (`bpptest`)

---

`bpptest` verifies the functionality of the bidirectional parallel port. SBus printer cards have two printer ports: one for any SPARCprinter™ device and one for a parallel port printer.

The `bpptest` verifies that your SBus card and its parallel port are working properly by attempting to transfer a data pattern from the SBus card to the printer.

Two indications show that the card and printer are functioning properly: First, you can see from the SunVTS Status window that `bpptest` made a successful pass, and second, that the pattern transmitted to the printer printed correctly.

If the `bpptest` passes successfully, you know that the SBus DMA circuitry, the printer, and the device driver are functioning properly.

---

**Note** – Large PostScript™ files or raster files may require that the printer has 2 Mbytes or more of memory. Otherwise, the printout may appear on two different sheets of paper.

---

---

## `bpptest` Hardware and Software Requirements

The SBus printer card and device drivers must be installed to run `bpptest`. A printer must be connected to the SPARCprinter or bidirectional parallel port, and be powered-up. If both a SPARCprinter and a parallel port printer are connected to the SBus card, you can test both devices at the same time.

---

**Note** – For a SPARCstation 10, SPARCstation LX, or SPARCclassic™ system, you can connect a printer directly to the onboard parallel port to run `bpptest`.

---

If you are testing the SPARCprinter port, be sure the magnets on the SPARCprinter paper tray are set to the correct paper size. For more information, see the *SPARCprinter Installation and User's Guide* and the label on the paper tray.

---

## bpptest Options

To reach the dialog box below, right-click on the test name in the System Map and select Test Parameter Options. If you do not see this test in the System Map, you might need to expand the collapsed groups, or your system may not include the device appropriate to this test. Refer to the *SunVTS User's Guide* for more details.

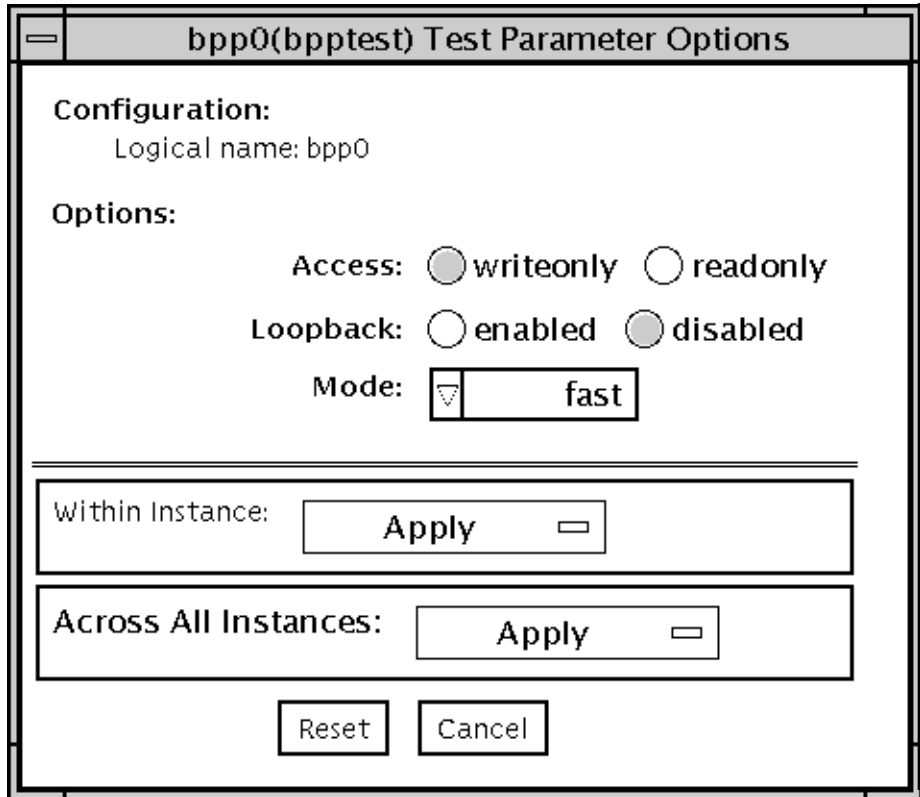


FIGURE 5-1 `bpptest` Test Parameter Options dialog box

TABLE 5-1 `bpptest` Options

Option	Description
Access	Determines the direction of data transfer; this field is informational only. <code>writeonly</code> is the only option currently available. Data is transferred only from the SBus printer card to the printer.
Mode	Sets the print intervals. This option lets you select the intervals at which the test image is printed. The default setting is <code>fast</code> . In the online and Functional tests this option is set to <code>medium</code> . In the Functional test, the choices are: <ul style="list-style-type: none"> <li>• <code>Fast</code>—prints an image every 10 seconds.</li> <li>• <code>Medium</code>—prints an image every 12 minutes.</li> <li>• <code>Extended</code>—prints an image every 30 minutes.</li> </ul>

---

# bpptest Test Modes

This test supports Connection and Functional test modes.

**TABLE 5-2** bpptest Test Modes

Test Mode	Supported?	Description
Connection	Yes	In this mode, <code>bpptest</code> verifies that a bidirectional parallel port is configured on the system. The success of the <code>bpptest</code> in this mode indicates that the bidirectional parallel port hardware and the software driver are installed on the system.
Functional (offline)	Yes	The testing done in this mode is the same as in the online mode, except that the test registers a failure if the port is found busy. This is because SunVTS tests make the assumption that all the resources will be available for testing in the Functional test and therefore the unavailability of the device is interpreted as an indication of a fault condition.
Functional (online)	Yes	The test attempts to verify the functionality of the parallel port and the path between the parallel port and the host memory. An internal loopback test is performed and if a printer is attached to the port, a data pattern is transferred to the printer.



---

# bpptest Command-Line Syntax

```
/opt/SUNWvts/bin/bpptest standard_arguments -o  
dev=device_name,access=writeonly | readonly,mode=mode,loop=disable | enable
```

TABLE 5-3 bpptest Command-Line Syntax

Argument	Explanation
<code>dev=device_name</code>	Specifies the name of the device. This should be of the form <code>/dev/bpp#</code> , where <code>#</code> is the minor number of the device.
<code>access=writeonly</code> / <code>readonly</code>	Determines test mode: <i>writeonly</i> or <i>readonly</i> . Note: This flag is mandatory.
<code>mode=mode</code>	Sets the test image print rate. The test image is a continuous printout of the ASCII character set. Possible rates are: <ul style="list-style-type: none"><li>• Fast—prints the test image at 10-second intervals.</li><li>• Medium—prints the test image at 12-minute intervals.</li><li>• Extended—prints the test image at 30-minute intervals.</li></ul>

---

**Note** – 64-bit tests are located in the `sparcv9` subdirectory: `/opt/SUNWvts/bin/sparcv9/testname`. If a test is not present in this directory, then it may only be available as a 32-bit test. For more information refer to “32-Bit and 64-Bit Tests” on page 3.

---

---

# bpptest Error Messages

TABLE 5-4 bpptest Error Messages

Error Message	Probable Cause(s)	Suggested Action (if applicable)
6000 Read compare failed, expected: <i>value</i> , observed: <i>value</i>	Suspect DMA circuitry or FIFO associated with bpp.	
6001 Error occurred while accessing <i>device_name</i> ; Time out Error: <i>value</i> ; Bus Error: <i>value</i> ; Pin Status: <i>value</i>	System error message.	

**TABLE 5-4** bpptest Error Messages (Continued)

Error Message	Probable Cause(s)	Suggested Action (if applicable)
8000 could not open <i>device_name</i>	System error message. Device does not exist. Device not configured correctly.	
8001 Encountered error while writing to <i>device_name</i> ; Requested bytes to write: <i>value</i> ; Bytes successfully written: value	Device not configured correctly or does not exist. Too many print requests queued up. Printer out of paper.	
8002 Failed to obtain memory from malloc() system call	System heavily loaded.	
8003 Error occurred while attempting to fork a child process	System error message.	
8004 ioctl fail on <i>device_name</i>	System error message.	
8005 error= <i>number</i>	System error message.	
8006 Device <i>device_name</i> unavailable for testing	Device is busy.	Retry later.

## Compact Disc Test (cdtest)

---

cdtest checks the CD-ROM unit by reading the CD.

cdtest is not a scalable test.

Each track is classified as follows:

- Mode 1 uses error detection/correction code (288 bytes).
- Mode 2 uses that space for auxiliary data or as an audio track.

---

**Note** – Load a compact disc into the drive before starting the test. See the explanation of CD types in TABLE 6-1.

---

---

## Volume Management and Compact Discs

cdtest tests the CD-ROM drive(s) even if the Volume Manager is not running. If the Volume Manager is running and no media is installed in the CD-ROM drive(s), SunVTS prompts you to install media in the drive before selecting the test.

The test fails if you try to run it without a CD in the drive.

## cdtest Options

To reach the dialog box below, right-click on the test name in the System Map and select Test Parameter Options. If you do not see this test in the System Map, you might need to expand the collapsed groups, or your system may not include the device appropriate to this test. Refer to the *SunVTS User's Guide* for more details.

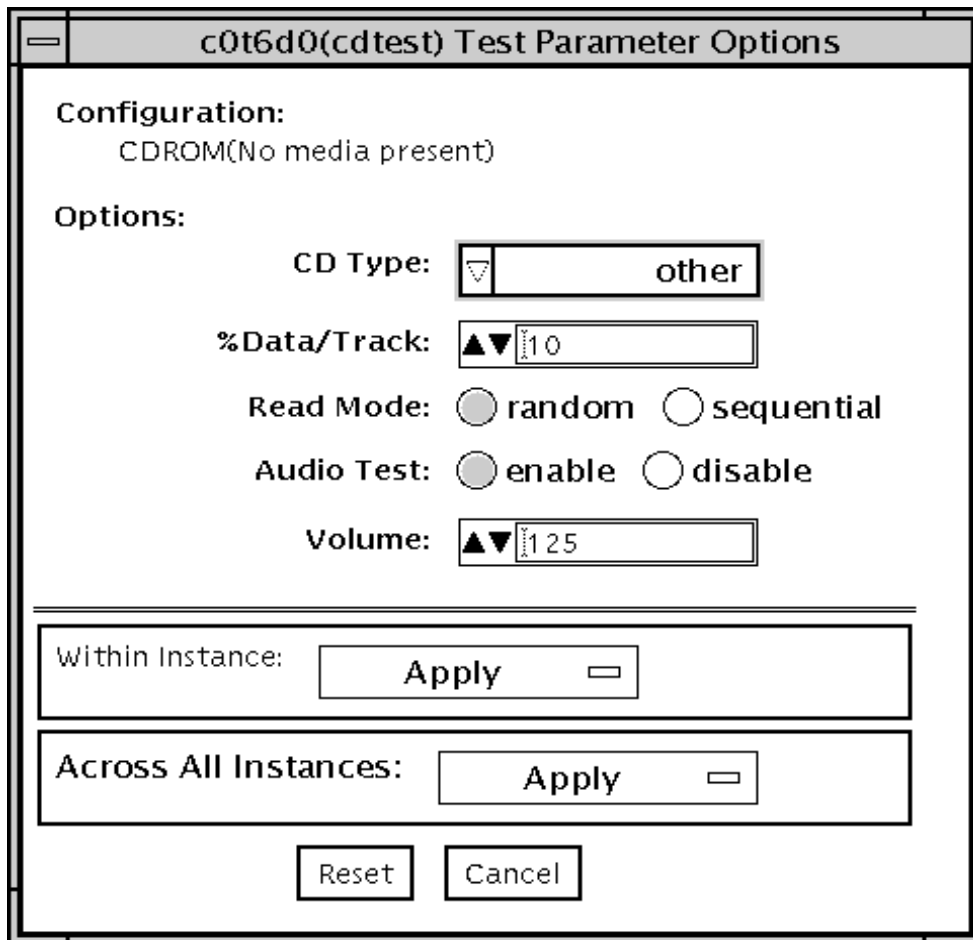


FIGURE 6-1 cdtest Test Parameter Options dialog box

**TABLE 6-1** `cdtest` Options

Options	Description
CD Type	<p>The types of compact discs that can be tested are listed in the CD Type menu. The choices are: <code>pdc</code>, <code>multi-session</code>, or <code>other</code> (the default CD type is <code>other</code>). In the Connection test, this option has a default value of <code>other</code>.</p> <p>Note: Your choice must correspond with the disc used for testing.</p>
% Data/Track	<p>Tests a percentage of data on each track. Type a value between 0 and 100 in this field to indicate the percentage. In the online and connection tests this option has a canned value of 2%.</p>
Read Mode	<p><code>cdtest</code> reads the CD either in Random or Sequential mode. In Random mode, data blocks are read from random track positions; in Sequential mode, data blocks are read in sequence. For both modes, the total number of blocks read is determined by the <code>%_of_data</code> option. In the online and Connection tests this option has a canned value of <code>random</code>.</p>
Audio Test	<p>Enables or disables the audio test. You must connect headphones or a speaker to the audio jack on the CD player to hear audio output. In the Connection test, this option has a default value of <code>disable</code>.</p>
Volume	<p>Adjusts the volume. Type a value between 0 and 255 in this field. In the online and connection tests this option has a default value of 125.</p>

---

## cdtest Test Modes

This test supports Connection and Functional tests.

TABLE 6-2 cdtest Test Modes

Test Mode	Supported?	Description
Connection	Yes	In this mode, <code>cdtest</code> verifies that a CD-ROM drive is connected to and configured in the system.
Functional (offline)	Yes	This mode is similar to Functional online mode except that the test registers a failure if the device is found to be busy. This is because SunVTS tests make the assumption that all the resources will be available for testing in the Functional test and the unavailability of a device is interpreted as an indication of a fault condition.
Functional (online)	Yes	This mode attempts to verify the functionality of the drive by accessing and reading the media in the drive. If the media contains audio and the audio test is enabled, <code>cdtest</code> tries to play it. Only a small percentage of the media is read, as this is sufficient to verify the functionality of the drive and keeps the test runtime from being unnecessarily extended. If the device is busy at the time of testing, the test exits after printing a message indicating that the device is unavailable for testing. The pass and error counts are unaffected.

---

## cdtest Command-Line Syntax

```
/opt/SUNWvts/bin/cdtest standard_arguments -o dev=raw_device_name,  
mode=mode,read=random|sequential,data=%_of_data,vol=volume,  
audio=enable|disable,type=CD_type
```

TABLE 6-3 cdtest Command-Line Syntax

Argument	Description
dev= <i>raw_device_name</i>	Specifies the name of the raw device to be tested.
read= <i>random sequential</i>	Indicates random or sequential read access.
data= <i>%_of_data</i>	Sets the percentage of data to be tested. You can specify 0 to 100 percent.

**TABLE 6-3** `cdtest` Command-Line Syntax

Argument	Description
<code>vol=volume</code>	Controls the audio volume. You can specify 0 through 255; the default is 255.
<code>audio=enable/disable</code>	Enables or disables the audio test. You must connect headphones or a speaker to the audio jack on the CD player to hear audio output.
<code>type=CD_type</code>	Specifies the type of CD used for the test. The choices are: <code>pdo</code> , <code>multi-session</code> , <code>sunos</code> and <code>other</code> ; the default is <code>other</code> .

---

**Note** – 64-bit tests are located in the `sparcv9` subdirectory: `/opt/SUNWvts/bin/sparcv9/testname`. If a test is not present in this directory, then it may only be available as a 32-bit test. For more information refer to “32-Bit and 64-Bit Tests” on page 3.

---

## cdtest Error Messages

**TABLE 6-4** `cdtest` Error Messages

Error Message	Probable Cause(s)	Suggested Action (if applicable)
6000 Fail to seek at block <i>value</i>	System error message. Bad media.	Retry with a different CD-ROM drive.
6001 Fail to read <i>number</i> bytes at block <i>number</i>	System error message. Bad media Incorrect CD-ROM drive type passed to <code>cdtest</code> .	
6002 Data mode <i>value</i> not supported	Datamode has a value other than <code>CD_DATAMODE1</code> or <code>CD_DATAMODE2</code> (see <code>cdio(7)</code> ).	
6003 Error occurred while playing audio track <i>number</i>		
6004 Failed to obtain memory from <code>malloc()</code> system call	Audio stop before complete at track <i>number</i> .	

**TABLE 6-4** cdtest Error Messages (Continued)

	<b>Error Message</b>	<b>Probable Cause(s)</b>	<b>Suggested Action (if applicable)</b>
6005	Unexpected audio status <i>value</i> received at track <i>number</i>	System error message	
6006	Fail in reading offset of the multi-session, offset = <i>value</i>	An incorrect value for <i>cdtype</i> has been passed to the <i>cdtest</i> . Bad media.	
6007	This is not a CD ROM Multi-Session disc!	An incorrect value for <i>cdtype</i> was passed to the <i>cdtest</i> .	
8000	Fail to open device <i>device_name</i>	System error message.	
8001	Fail ioctl <i>name</i>	System error message.	
8002	Fail ioctl <i>name</i>	System error message. No partitions on the disc	
8003	Fail to allocate <i>number</i> bytes of memory		
8004	Error occurred while reading TOC header	Track numbers out of range; First track: <i>value</i> , Last track: <i>value</i> .	
8005	Data miscompare while reading <i>number</i> bytes starting from block <i>number</i>	An incorrect value for <i>cdtype</i> has been passed to <i>cdtest</i> . Bad media.	
8006	ioctl CDROMSTART failure (number of retries: <i>value</i> )		



## Color Graphics Frame Buffer Test (cg14test)

---

`cg14test` checks the `cg14` frame buffer card. `cg14test` is specific to the VSIMM (Video SIMM) devices in the SPARCstation 10 SX and the SPARCstation 20 SX.



---

**Caution** – Due to possible conflicts between SunVTS `cg14` frame buffer tests and OPEN LOOK applications that use the `cg14` frame buffer, the following restrictions apply when running `cg14test`:

Do not run graphic applications other than OPEN LOOK while SunVTS is running frame buffer tests.

Do not run OPEN LOOK programs that generate video updates outside or on top of the SunVTS window.

Do not close the SunVTS window to an icon while it is running frame buffer tests.

---

---

## `cg14test` Requirements

Ensure that the frame buffer locking option is enabled from the Options window (see the section about testing frame buffers in *SunVTS User's Guide* for details).

---

# cg14test Groups

There are nine test groups in `cg14test`:

1. MDI and VBC Chip Control Registers
2. Memory Chips
3. MDI Chip Cursor Registers
4. MDI Chip CLUT Registers
5. DAC Chip Registers
6. MDI Chip XLU Registers
7. CG14 Display (visual only)
8. MDI Chip Testmode Readback in 8-bit mode
9. Driver IOCTLs

**TABLE 7-1** `cg14` Test Groups

Test Groups	Description
Hardware (Groups 1-6)	These test groups are tested by opening <code>/dev/fbs/cgfourteenX</code> , mapping the MDI Control Address Space, modifying the target test location (using direct writes to the mapped address space), reading from the mmapped address space for verification, and closing the device.
Visual Pattern (Group 7)	This subtest loads a visual pattern of 256 colors, then rotates the pattern around. You verify this test by seeing it display.
Data Propagation (Group 8)	This test group is tested by loading the frame buffer (FB) memory with four neutral data patterns, then setting a target FB pixel with data that triggers the test mode readback latch. The result is read from the readback register after vertical blanking occurs. Two different trigger patterns are used at each FB pixel. All four MDI pixel paths (A - D) are used, and the pixel locations for each trigger are designed to detect gross MDI input data opens or short, VRAM SAM addressing, and VRAM-to-SAM transfer addressing. The screen shows four horizontal bars, which are either greyscale or colored. These bars change each time the trigger data is inverted, and as it completes the testing of a raster pattern.

Note — If the resolution and VRAM size permits, 8-bits per pixel mode are tested.

**TABLE 7-1** cg14 Test Groups (Continued)

Test Groups	Description
Driver (Group 9)	<p>Test all IOCTL calls that have not yet been used to verify proper driver communication to the hardware. Call the driver to perform a hardware update, and then confirm that the update was successful by using the complementary driver read, or reading the mmap'ed address space and comparing it against the stimulus.</p> <p>cg14test performs the appropriate steps before and after each test (if possible) to maintain context and prevent visual confusion by saving the register data before it is overwritten, disabling video (if possible), performing the specific test, and restoring the saved register data information.</p> <p>The data used for register testing is optimized to include all 0's, all 1's, and walking a 1 through each bit being tested.</p>
MDI and VBC Chip Control Registers (Group 1)	<ul style="list-style-type: none"> <li>• Master Control Register bits 7-0 write/read verify</li> <li>• Packed Pixel Register bits 3-0 write/read verify</li> <li>• Master Status Register bits 7-4 read-only verify 0x00 and 0x30 occur</li> <li>• Horizontal Blank Start Register bits 9-0 write/read verify</li> <li>• Horizontal Blank Clear Register bits 9-0 write/read verify</li> <li>• Horizontal Sync Set Register bits 9-0 write/read verify</li> <li>• Horizontal Sync Clear Register bits 9-0 write/read verify</li> <li>• Composite Sync Clear Register bits 9-0 write/read verify</li> <li>• Vertical Blank Start Register bits 11-0 write/read verify</li> <li>• Vertical Blank Clear Register bits 11-0 write/read verify</li> <li>• Vertical Sync Set Register bits 11-0 write/read verify</li> <li>• Vertical Sync Clear Register bits 11-0 write/read verify</li> <li>• Transfer Cycle Set Register bits 9-0 write/read verify (MDI revision 0 only)</li> <li>• Transfer Cycle Clear Register bits 9-0 write/read verify (MDI revision 0 only)</li> <li>• Fault Status Address Register bits 15-0 write/read verify</li> <li>• Auto-increment Address Space Register bits 7-0 write/read verify</li> <li>• Video Base Register bits 23-12 write/read verify</li> </ul>
Memory Chips (Group 2)	<p>The Memory Chips test group includes VRAM Testing, Memory Retention, and Test Write Recovery.</p> <p>VRAM Testing: The Data Bus test uses 18 NTA patterns (Nair, Thatte, and Abraham's testing procedure for RAM) to check for data and address faults. This test is performed in MDI_CHUNKY_XBGR_MAP access mode only. See Table 7-2.</p>

**TABLE 7-1** cg14 Test Groups (Continued)

Test Groups	Description
Memory Chips (Group 2) Continued	<p data-bbox="518 239 801 265">VRAM Testing (Continued)</p> <p data-bbox="518 267 1200 378">The test ascends through the frame buffer memory, clearing it to 0's. The NTA pattern test number <i>x</i> reads a location to make sure test data <i>y</i> is present. It then writes new data <i>z</i> to that location. The location ascends through the FB sequentially. See Table 7-2.</p> <p data-bbox="518 409 715 435">Memory Retention:</p> <p data-bbox="518 437 1200 517">The VRAM Data Retention test checks for gross problems with the VRAM refresh. Since refresh is active during this test, no retention problems should occur unless the refresh is defective.</p> <p data-bbox="518 548 1200 659">This test turns off the video, writes 0's to all the VRAM, waits the specified <code>memory_hold</code> time (the default is five seconds), then reads and compares all VRAM data. This process is repeated with data of <i>f</i>'s, then the video is restored and the test is complete.</p> <p data-bbox="518 690 1200 802">Two command-line parameters are related to this test: <b>R=number</b> and <b>H=number</b>. <b>R=</b> lets the user specify the refresh interval from 128-1023. The time between refresh cycles and the system default is 123. <b>H=</b> lets the user specify the retention test hold time in seconds.</p> <p data-bbox="518 833 682 859">Write Recovery:</p> <p data-bbox="518 861 1200 1052">A Write Recovery test is used in all the EMC mapping modes to write data to 0's followed by immediately reading that data location to see if the VRAM can recover from a write correctly. This is done to all sequential ascending locations. Next, a second independent pass of memory is made with the complementary data of <code>0xffffffff</code> written to descending locations of the FB memory buffer.</p> <p data-bbox="518 1083 901 1109">The EMC mapping access modes are:</p> <ul data-bbox="518 1111 843 1350" style="list-style-type: none"> <li>• MDI_CHUNKY_XGBR_MAP</li> <li>• MDI_CHUNKY_BGR_MAP</li> <li>• MDI_PLANAR_X16_MAP</li> <li>• MDI_PLANAR_C16_MAP</li> <li>• MDI_PLANAR_X32_MAP</li> <li>• MDI_PLANAR_B32_MAP</li> <li>• MDI_PLANAR_G32_MAP</li> <li>• MDI_PLANAR_R32_MAP</li> </ul>

**TABLE 7-1** cg14 Test Groups (Continued)

Test Groups	Description
MDI Chip Cursor Registers (Group 3)	<p>The MDI Chip Cursor Registers are:</p> <ul style="list-style-type: none"> <li>• Cursor Plane 0 Register bits 31-0 write/read verify</li> <li>• Cursor Plane 1 Register bits 31-0 write/read verify</li> <li>• Cursor Plane 0 Register bits 31-0 write/read verify (with auto increment)</li> <li>• Cursor Plane 1 Register bits 31-0 write/read verify (with auto increment)</li> <li>• Cursor Control Register bits 2-0 write/read verify</li> <li>• Cursor Color Register 1 bits 28-0 write/read verify</li> <li>• Cursor Color Register 2 bits 28-0 write/read verify</li> <li>• X-Cursor Location Register bits 11-0 write/read verify</li> <li>• Y-Cursor Location Register bits 11-0 write/read verify</li> <li>• Cursor Plane 0 Non-Auto Registers test</li> <li>• Cursor Plane 0 Auto Registers test</li> <li>• Cursor Plane 1 Non-Auto Registers test</li> <li>• Cursor Plane 1 Auto Registers test</li> <li>• Cursor Planes Retry A test</li> <li>• Cursor Planes Retry B test</li> </ul>
MDI Chip CLUT Registers (Group 4)	<p>The MDI Chip CLUT Registers are:</p> <ul style="list-style-type: none"> <li>• LUT1 Registers 0-255 bits 31-27 &amp; 23-0 write/read verify</li> <li>• LUT1 Registers 0-255 bits 31-27 &amp; 23-0 write/read verify (with auto increment)</li> <li>• LUT1D Registers 0-255 bits 31-27 &amp; 23-0 write/read verify</li> <li>• LUT1D Registers 0-255 bits 31-27 &amp; 23-0 write/read verify (with auto increment)</li> <li>• LUT2 Registers 0-255 bits 31-27 &amp; 23-0 write/read verify</li> <li>• LUT2 Registers 0-255 bits 31-27 &amp; 23-0 write/read verify (with auto increment)</li> <li>• LUT2D Registers 0-255 bits 31-27 &amp; 23-0 write/read verify</li> <li>• LUT2D Registers 0-255 bits 31-27 &amp; 23-0 write/read verify (with auto increment)</li> <li>• LUT3 Registers 0-255 bits 31-27 &amp; 23-0 write/read verify</li> <li>• LUT3 Registers 0-255 bits 31-27 &amp; 23-0 write/read verify (with auto increment)</li> <li>• LUT3D Registers 0-255 bits 31-27 &amp; 23-0 write/read verify</li> <li>• LUT3D Registers 0-255 bits 31-27 &amp; 23-0 write/read verify (with auto increment)</li> </ul>

**TABLE 7-1** cg14 Test Groups (Continued)

Test Groups	Description
DAC Chip Registers (Group 5)	<p>The DAC Chip Registers test group includes the RAMDAC registers and control registers.</p> <p>RAMDAC Registers:</p> <ul style="list-style-type: none"><li>• Address Register bits 7-0 (0x7 maximum) write/read verify</li><li>• Mode Register bits 7-0 (skip bit 5) bits write/read verify</li></ul> <p>Control Registers:</p> <ul style="list-style-type: none"><li>• ID Register bits 7-0 r/o verify data is 0x8C</li><li>• Pixel-Mask Register bits 7-0 write/read verify (skipped if dac rev= 2)</li><li>• Command2 Register bits 7-0 write/read verify (skipped if dac rev = 2)</li><li>• Command3 Register bits 7-0 write/read verify (skipped if dac rev = 2)</li></ul>
MDI Chip XLUT Registers (Group 6)	<p>The MDI Chip XLUT Registers are:</p> <ul style="list-style-type: none"><li>• XLUT Registers 0-255 bits 7-0 write/read verify</li><li>• XLUT Registers 0-255 bits 7-0 write/read verify (with auto increment)</li><li>• XLUTD Registers 0-255 bits 7-0 write/read verify</li><li>• XLUTD Registers 0-255 bits 7-0 write/read verify (with auto increment)</li></ul>

**TABLE 7-1** cg14 Test Groups (Continued)

Test Groups	Description
CG14 Display (visual only) Group 7)	This test visually displays 256 boxes on the screen (each in a different color), and then shifts the CLUT1 entries giving the visual impression of the pattern mirroring itself from left to right horizontally. The pattern then rotates up, down, followed by mirroring itself horizontally left to right.
MDI Chip Test Mode Readback Register (Group 8)	This test mode reads back register bits 23-0 in read-only and verify modes.
Driver IOCTLs (Group 9)	<ul style="list-style-type: none"> <li>• MDI_GET_CFGINFO check # of CLUT's, pixel height, pixel width, and pixel mode against hardware</li> <li>• FBIOGATTR check real_type, fb_height, fb_width, fb_depth, fb_cmsize, and fb_size against cfginfo values</li> <li>• FBIOGTYPE check fb_type, fb_height, fb_width, fb_depth,fb_size, and fb_cmsize against driver defines or cfginfo values</li> <li>• FBIOSVIDEO check status returned against hardware</li> <li>• FBIOSVIDEO set off, off, on, on, off verifying against hardware</li> <li>• FBIOVERTICAL (imbedded in FBIOSVIDEO)</li> <li>• MDI_VRT_CNTL turn off, off, on, on, off the video interrupt enable and verify the hardware agreesMDI_SET_PIXELMODE set different modes and verify against the hardware</li> <li>• MDI_SET_PPR set the different modes and verify against the hardware</li> <li>• MDI_SET_COUNTERS set HSS, HSC, XCC, HBC, XCS, HBS, CSC, VSS, VSC, VBC, VBS, HCT, and VCT then verify against hardware</li> <li>• MDI_SET_XLUT set xlut and verify against hardware</li> <li>• MDI_GET_XLUT get xlut and verify against hardware</li> <li>• MDI_SET_CLUT set clut (1-3 as applicable) and verify against hardware</li> <li>• MDI_GET_CLUT get clut (1-3 as applicable) and verify against hardware</li> <li>• FBIOPUTCMAP set and verify clut1 matches</li> <li>• FBIOGETCMAP verify clut1 matches get</li> <li>• FBIOSATTR set emu_type to FBTYPE_MDICOLOR and verify</li> <li>• FBIOGATTR check</li> <li>• FBIOGCURMAX verify x and y size match driver defines</li> <li>• FBIOSCUSOR verify set at 3 locations matches hardware</li> <li>• FBIOGCURSOR verify driver knows what set(s) just did</li> <li>• FBIOSCURPOS verify set at three locations matches hardware</li> <li>• FBIOGCURPOS verify driver knows what set(s) just did</li> <li>• MDI_SET_CURSOR set then check CCR, XCU, and YCU cursor hardware registers</li> </ul>

**TABLE 7-2** cg14test NTA Testing Patterns

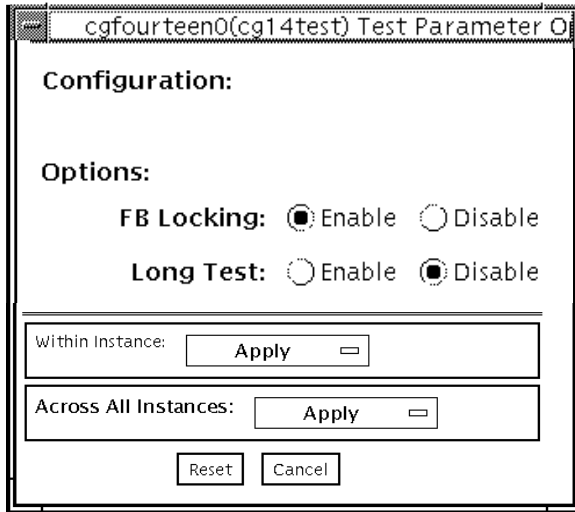
NTA Test Pattern Number = x	Test Data = y	New Data = z
1.0	0x00000000	0x01010101
1.5	0x01010101	0xffffffff
2.1	0xffffffff	0xf1f1f1f1
2.2	0xf1f1f1f1	0x33333333
3.1	0x33333333	0xf0f0f0f0
3.2	0xf0f0f0f0	0x0f0f0f0f
4.1	0x0f0f0f0f	0x55555555
4.2	0x55555555	0xaaaaaaaa
5.1	0xaaaaaaaa	0x05050505 (1x) 0x88888888 (2x)
5.2	0x88888888	0xf5f5f5f5
6.1	0xf5f5f5f5	0x00000000 (1x) 0x5f5f5f5f (2x)
6.2	0x5f5f5f5f	0x11111111
7.1	0x11111111	0x00000000 (1x) 0xcccccccc (2x)
7.2	0xcccccccc	0xdbdbdbdb
8.1	0xdbdbdbdb	0x6d6d6d6d
8.2	0x6d6d6d6d	0x6b6b6b6b
9.1	0x6b6b6b6b	0x00000000
9.2	0x00000000	-

---

## cg14test Options

To reach the dialog box below, right-click on the test name in the System Map and select Test Parameter Options. If you do not see this test in the System Map, you might need to expand the collapsed groups, or your system may not include the device appropriate to this test. Refer to the *SunVTS User's Guide* for more details.





**FIGURE 7-1** cg14test Test Parameter Options dialog box

**TABLE 7-3** cg14test Options

Options	Description
FB Locking	See the section about testing multiple frame buffers in the <i>SunVTS User's Guide</i> for details.
Long Test	When enabled, the color bar screen(s) in the MDI Testmode Readback test checks all SAM transfers in clock=0 mode and clock=1 mode. If Long test is disabled, clock=1 runs checks on the first eight addresses and the first SAM transfer only.
Processor Affinity	For multiprocessor systems, indicates the processor to be tested.

---

# cg14test Command-Line Syntax

`/opt/SUNWvts/bin/cg14test standard_arguments -o dev=device_name,  
lock=E(nable)/D(isable),L,I`

TABLE 7-4 cg14test Command-Line Syntax

Argument	Explanation
<code>dev=device_name</code>	Specifies the path of the cg14 device file to be tested; for example: <code>/dev/fbs/device_name</code> .
<code>lock=E(nable)/D(isable)</code>	Enables and disables the window system locking option. See the Testing Multiple Frame Buffers sections in the <i>SunVTS User's Guide</i> for details. Do not use when your device is the window system display.
<code>L</code>	Enables the long TMRB test.
<code>I</code>	Enables optional driver ioctl tests for cursor. Note- Do not move the mouse during the cg14test when you run this option.

---

**Note** – 64-bit tests are located in the `sparcv9` subdirectory: `/opt/SUNWvts/bin/sparcv9/testname`. If a test is not present in this directory, then it may only be available as a 32-bit test. For more information refer to “32-Bit and 64-Bit Tests” on page 3.

---

---

## cg14test Test Modes

Due to the nature of graphic tests, reading from or writing to the frame buffer during graphic tests will disturb user operation. This test is only available in offline Functional test mode.

**TABLE 7-5** cg14test Test Modes

Test Mode	Supported?	Description
Connection	No	Not supported
Functional (Offline)	Yes	This mode uses all subtests to test the cg14 frame buffer. The user can select the long mode for TRMB subtest.
Functional (Online)	No	Not supported

---

## cg14test Error Messages

**TABLE 7-6** cg14test Error Messages

Error Message	Probable Cause(s)	Suggested Action (if applicable)
6002 MDI <i>name</i> register = <i>number</i>	CG14 video board.	
6004 MDI Cursor planes retry test maximum retry limit exceeded	CG14 video board.	
6006 <i>name</i> error message	CG14 video board.	
6008 Failed open of file <i>name</i> , errno= <i>number</i>	Disk. CPU board.	
6010 Failed write to file <i>name</i> , errno= <i>number</i>	CG14 video board. CPU board. Disk.	
6012 Failed close of file <i>name</i> , errno= <i>number</i>	Disk. CPU board.	

**TABLE 7-6** cg14test Error Messages (Continued)

	Error Message	Probable Cause(s)	Suggested Action (if applicable)
6014	MDI chip TestMode Readback, <i>number</i> -bit <i>name</i> mode, offset= <i>number</i> pixelpipe= <i>name</i> clock= <i>number</i> exp= <i>number</i> obs= <i>number</i>		
6016	MEM ( <i>name</i> ), Data Retention offset= <i>number</i> exp= <i>number</i> obs= <i>number</i>	CG14 video board. CPU board.	
6018	MEM ( <i>name</i> ), NTA <i>name</i> offset= <i>number</i> exp= <i>number</i> obs= <i>number</i>	CG14 video board. CPU board.	
6020	MEM ( <i>name</i> ), WRRD <i>name</i> offset= <i>number</i> exp= <i>number</i> obs= <i>number</i>	CG14 video board. CPU board.	
6022	failed, mapping <i>name</i> space, errno = <i>number</i>	CG14 device file. SunOS. CG14 video board. CPU board.	
6024	MEM ( <i>name</i> ), WRRD <i>name</i> offset= <i>number</i> exp= <i>number</i> obs= <i>number</i>	SunOS. CG14 video board. CPU board.	
6026	VBC Control Register exp= <i>number</i> obs= <i>number</i>	CG14 video board. CPU board.	
8002	<i>name</i> is an invalid parameter for <i>name</i> !	Operator error.	
8004	unable to close device <i>name</i>	CG14 device file. SunOS. CG14 video board.	
8006	invalid CG14 device type from <i>name</i>	CG14 device file. SunOS. CG14 video board.	
8008	IOCTL Error: <i>name</i>	CPU board. CG14 video board.	
8008	IOCTL( <i>name</i> ) <i>name</i>	CPU board. CG14 video board.	

**TABLE 7-6** cg14test Error Messages (Continued)

	Error Message	Probable Cause(s)	Suggested Action (if applicable)
8010	unable to unlock OL windows	SunOS.	Operator error.
8012	IOCTL( <i>name</i> , CLUT <i>number</i> ) <i>name</i>	CG14 device file.	SunOS.
8014	unable to open CG14 device <i>name</i>	Incorrect device name.	No existing device.
		CG14 video board.	



## Frame Buffer, GX, GX+ and TGX Options Test (`cg6`)

---

The `cg6` test verifies the `cgsix` frame buffer and the graphics options offered with most SPARC™ based workstations and servers. This test stresses the frame buffer with the subtests described below.

---

**Note** – Disable all screen savers before testing any graphics device. Type `xset s off` at the prompt to disable the Solaris screen saver.

To start SunVTS with `vtsui`, but without `vtsk`, add the host name to `xhost` as:  
`xhost + hostname`.

---

---

# cg6 Subtests

TABLE 8-1 cg6 Subtests

Subtests	Description
Cursor test	cg6 visually checks the overlay registers of the RAMDAC. A pointer is drawn on the screen and moved to predetermined locations. There is a problem if the pointer disappears. This visual test ensures that the overlay is working properly
Fast Copy in double buffer test mode	Creates two full-size screen raster images in double buffer mode, writing different patterns to each. The hidden buffer is copied to the visible buffer, and the data is compared. An error message is returned if there are inconsistencies. Then the buffer is flipped and the process is repeated.  Note: This test only applies to Sun Microsystems GX+ graphic accelerators with double-buffering capacity.
TEC test	Verifies that the transformation engine and cursor control logic are accessible to confirm that further TEC access is performed correctly.
FBC test	Verifies that the frame buffer controller logic is accessible to confirm that further FBC access is performed correctly.
Frame Buffer test	Verifies that the frame buffer memory is working. A “walking ones” pattern is written to memory, with a specific color signifying one of eight bits. The screen is divided into eight equally wide vertical stripes. A “walking one” is written to each stripe, causing eight iterations of these stripes. The value written is read back and checked. If the values do not match, an error is reported.
Screen test using blits	Draws blocks of color and performs <code>blit</code> transfers to other portions of the screen. First, the entire screen is drawn with cyan, then a black block is placed in the upper-left corner. This subtest <code>blits</code> this block on the upper-right, lower-right, and lower-left corners, then “or’s” the whole image.
Blit test	Draws a block of data and <code>blit</code> into a location at the bottom-right rectangle.



**TABLE 8-1** cg6 Subtests

Subtests	Description
Line test	Draws lines on the screen in different colors with different data values. The data is read back and compared with the expected values. An error is returned in the case of a mismatch.
Polygon test	Draws hourglass-shaped polygons on the screen, using the four vertices. After all the polygons are rendered in the video memory, they are read back and the data compared with expected values. If there is a mismatch, an error is displayed.
Colormap test	Loads all 256 locations in the color map with a greyscale, both backward and forward. This means decreasing values are loaded to all R, G, and B values.

Note: If the system being tested has a monochrome or greyscale monitor, visual color problems are undetectable.

---

## cg6 Options

To reach the dialog box below, right-click on the test name in the System Map and select Test Parameter Options. If you do not see this test in the System Map, you might need to expand the collapsed groups, or your system may not include the device appropriate to this test. Refer to the *SunVTS User's Guide* for more details.

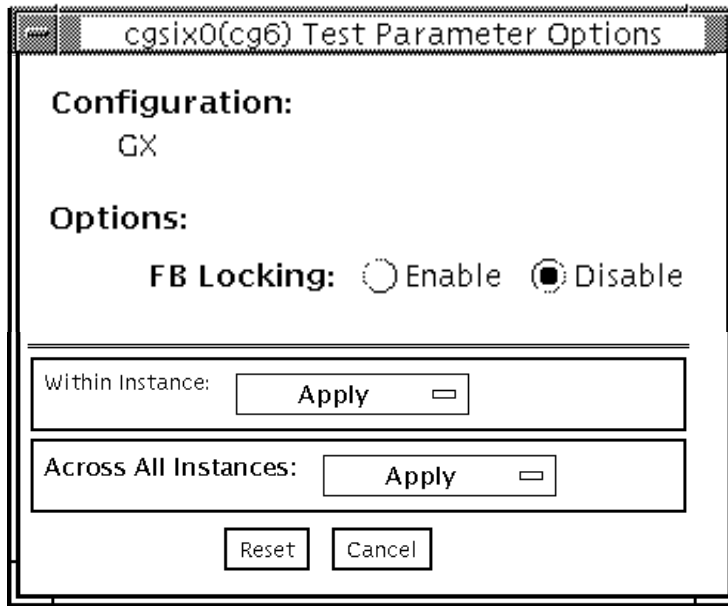


FIGURE 8-1 cg6 Test Parameter Options dialog box

---

**Note** – See the section about testing frame buffers in the *SunVTS User's Guide* for details about frame buffer locking.

---

---

## cg6 Test Modes

Due to the nature of graphic tests, reading from or writing to the frame buffer during graphic tests will disturb user operation.

**TABLE 8-2** cg6test Test Modes

Test Mode	Supported?	Description
Connection	No	Not supported
Functional (Offline)	Yes	Runs the full set of tests
Functional (Online)	No	Not supported

---

## cg6 Command-Line Syntax

```
/opt/SUNWvts/bin/cg6test standard_arguments -o dev=device_name,  
lock=E(nable)/D(isable),Passes=number
```

**TABLE 8-3** cg6 Command-Line Syntax

Argument	Explanation
<b>dev=device_name</b>	Specifies the path of the cg14 device file to be tested, for example, /dev/eps/device_name.
<b>lock=E(nable)/D(isable)</b>	Enables/disables the window system locking option. See the section about testing multiple frame buffers in the <i>SunVTS User's Guide</i> for details. Do not use when device is the window system display.
<b>Passes=number</b>	The number of passes to run. The default is 1.

---

**Note** – 64-bit tests are located in the `sparcv9` subdirectory: `/opt/SUNWvts/bin/sparcv9/testname`. If a test is not present in this directory, then it may only be available as a 32-bit test. For more information refer to “32-Bit and 64-Bit Tests” on page 3.

---

---

**Note** – Extra swap space of 5 MBytes is required.

---

---

## cg6 Error Messages

**TABLE 8-4** cg6 Error Messages

Error Message	Probable Cause(s)	Recommended Action(s)
6000 Resolution not supported for double buffering	Unsupported resolution.	Change to other resolutions.
6002 data error: x_pos: <i>number</i> , y_pos: <i>number</i> . *mobs: <i>number</i> , *mexp: <i>number</i>	Faulty frame buffer.	If the problem persists, call your authorized Sun service provider.
6004 FB Screen Test data error: xpos= <i>number</i> , ypos= <i>number</i> , exp( <i>number</i> ), obs( <i>number</i> )	Faulty frame buffer.	If the problem persists, call your authorized Sun service provider.
6006 Data Error: Screen location x: <i>number</i> , y: <i>number</i> , Obs: <i>number</i> , Exp: <i>number</i>	Faulty frame buffer.	If the problem persists, call your authorized Sun service provider.
6007 Multibuffering extension does not exists	Faulty frame buffer.	If the problem persists, call your authorized Sun service provider.
6008 Cannot create CMAP	System error. Faulty frame buffer.	If the problem persists, call your authorized Sun service provider.
6009 name off( <i>number</i> )exp( <i>number</i> ), obs( <i>number</i> ), xor( <i>number</i> )	Faulty frame buffer.	If the problem persists, call your authorized Sun service provider.
6010 Could not get color	System error. Faulty frame buffer.	If the problem persists, call your authorized Sun service provider.
6011 <i>name</i> off( <i>number</i> )exp( <i>number</i> ), obs( <i>number</i> ), xor( <i>number</i> ) <i>name</i>	Faulty frame buffer.	If the problem persists, call your authorized Sun service provider.
6012 Checksum test failed for PROM. Observed: <i>number</i> , Expected: <i>number</i>	Faulty frame buffer.	If the problem persists, call your authorized Sun service provider.

**TABLE 8-4** cg6 Error Messages (Continued)

	<b>Error Message</b>	<b>Probable Cause(s)</b>	<b>Recommended Action(s)</b>
6014	Unable to lock frame buffer	FB lock was enabled while window system was not running.	Disable the FB lock.
6016	Found error in sine test	Faulty frame buffer.	If the problem persists, call your authorized Sun service provider.
6018	Found error in cursor test	Faulty frame buffer.	If the problem persists, call your authorized Sun service provider.
6020	Found error in fb test	Faulty frame buffer.	If the problem persists, call your authorized Sun service provider.
6022	Found error in polygon test	Faulty frame buffer.	If the problem persists, call your authorized Sun service provider.
6024	Found error in cmap test	Faulty frame buffer.	If the problem persists, call your authorized Sun service provider.
6026	Found error in db test	Faulty frame buffer.	If the problem persists, call your authorized Sun service provider.
6028	Found error in line test	Faulty frame buffer.	If the problem persists, call your authorized Sun service provider.
6030	Found error in dac test	Faulty frame buffer.	If the problem persists, call your authorized Sun service provider.
8000	<i>name</i> not mapped	System error.	If the problem persists, call your authorized Sun service provider.
8002	can't acquire console semaphore	System error.	If the problem persists, call your authorized Sun service provider.
8004	XCreateSimpleWindow failed	System error.	If the problem persists, call your authorized Sun service provider.

**TABLE 8-4** cg6 Error Messages (Continued)

Error Message	Probable Cause(s)	Recommended Action(s)
8008 Couldn't create enough buffers	Not enough memory available.	Reduce the system load.
	System error.	If the problem persists, call your authorized Sun service provider.
8010 grab of pointer unsuccessful	Not enough memory available.	Reduce the system load.
	System error.	If the problem persists, call your authorized Sun service provider.
8012 cmap mapping failed	Not enough memory available.	Reduce the system load.
	System error.	If the problem persists, call your authorized Sun service provider.
8014 Blit status. Could not launch draw	Faulty frame buffer.	If the problem persists, call your authorized Sun service provider.
8016 Draw Wait FBC_DRAW status= <i>number</i>	Faulty frame buffer.	If the problem persists, call your authorized Sun service provider.
8018 Could not get cmap	Faulty frame buffer.	If the problem persists, call your authorized Sun service provider.
8020 Could not get color	Faulty frame buffer.	If the problem persists, call your authorized Sun service provider.
8022 Could not create child raster	Incorrect device name.	Re-enter the correct name.
	Not enough memory available.	Reduce the system load.
8024 Failed to get malloc	Not enough memory available.	Reduce the system load.
	System error.	
8026 Cannot create CMAP	System error.	If the problem persists, call your authorized Sun service provider.
	Faulty frame buffer.	

**TABLE 8-4** cg6 Error Messages (Continued)

	<b>Error Message</b>	<b>Probable Cause(s)</b>	<b>Recommended Action(s)</b>
8028	Couldn't get hostname of machine under test	System error.	If the problem persists, call your authorized Sun service provider.
8030	Failed in opening device <i>name</i>	Incorrect device name.	Re-enter the correct name.
		Faulty frame buffer.	If the problem persists, call your authorized Sun service provider.
8032	Failed to create raster	Incorrect device name.	Re-enter the correct name.
		Not enough memory available.	Reduce the system load.
8034	Failed to create context	Not enough memory available.	Reduce the system load.
		System error.	If the problem persists, call your authorized Sun service provider.
8036	fbs/cgsix0 FATAL: "mmap() failed	Overloaded system.	Reduce the system load.
		System error.	Check OS release number.





## CPU Test (cputest)

---

The `cputest` checks specific aspects of SPARC processor datapath functionality.

The `cputest` comprises two subtests:

- `g0` subtest—tests a processor’s `g0` register functionality.
- `CUC` subtest—tests a processor’s ability to correctly execute a Compress/Uncompress/Compare (`cmp`) command sequence on machines with the SPARC-V9 architecture.

As the `CUC` subtest runs, it creates four files in the `/tmp/sunvts` directory. The `CUC` subtest uses the following file naming conventions where `nnn` represents the processor unit number and `x` represents a random character string appended to the file name:

- `PnnnPx`—The original pattern file (size determined by the `cputest` File Size option)
- `PnnnZx`—the compressed version of the pattern file
- `PnnnUx`—the uncompressed data from the `PnnnZx` file
- `PnnnCx`—the comparison data between the `PnnnPx` and `PnnnUx` files.

With the `cputest` file retention mode, you can control whether these files are deleted or not, so that in the event of a miscompare, you can view the contents of the files to analyze the miscompared data. The exact names of the files are displayed in the SunVTS message window whenever the files are saved such as when there is a compression miscompare or when the file retention mode is set to save. Refer to “`cputest` Options” on page 90 for more details.



---

**Caution** – Do not run the `CUC` subtest with the retention mode set to save for numerous passes, otherwise the files that are saved in `/tmp/sunvts` can fill the `/tmp` capacity. If `/tmp` is mounted to the swap area, the swap space may become filled to capacity.

---

---

**Note** – Only one instance of `cputest` per processor is possible.

---

---

# cpustest Options

To reach the dialog box below, right-click on the test name in the System Map and select Test Parameter Options. If you do not see this test in the System Map, you might need to expand the collapsed groups, or your system may not include the device appropriate to this test. Refer to the *SunVTS User's Guide* for more details.

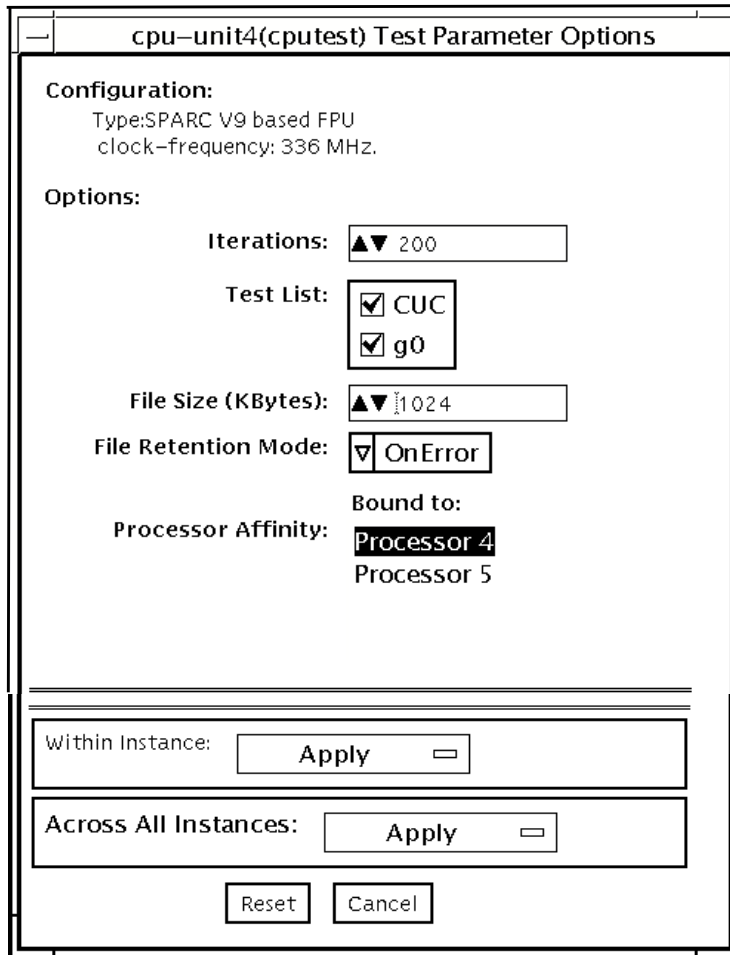


FIGURE 9-1 cpustest Test Parameter Options Dialog Box

**TABLE 9-1** `cputest` Option Dialog box Descriptions

Option	Description
Iterations	Specifies the number of times to loop on the selected subtests. Use the up/down arrows to select a value from 1 to 8192. The default varies depending on the SunVTS test mode.
Test List	Specifies which subtests to run. The choices are: <ul style="list-style-type: none"><li>• CUC—the compress/uncompress/compare subtest</li><li>• g0—the g0 register subtest.</li></ul> Refer to the general test description at the beginning of this chapter for subtest descriptions. If no subtest is selected, both subtests run.
File Size (KBytes)	Specifies the size of the CUC pattern file in KBytes. Select a value from 1 to 8192. The default varies depending on the SunVTS test mode.
File Retention Mode	Specifies whether the <code>cputest</code> removes the CUC pattern files or not. The choices are: <ul style="list-style-type: none"><li>• Purge—unconditionally remove the four subtest files</li><li>• Save—do not remove any of the four subtest files</li><li>• OnError—remove the four subtest files unless the CUC resulted in a miscompare. In this case, do not remove the files.</li></ul> The default is OnError. Refer to the Caution at the beginning of this chapter regarding the Save value.
Processor Affinity	Although the test parameter dialog box displays the processor affinity “bound to” selection box, the processor that corresponds to this instance of the <code>cputest</code> is determined when the SunVTS kernel probes for devices. Therefore, switching processor affinity in this dialog box is not supported.

---

# cputest Test Modes

The following table describes how the `cputest` functions in the different test modes.

**TABLE 9-2** `cputest` Test Modes

Test Mode	Supported?	Description
Connection	Yes	Both subtests are selected. The test options are fixed with the following values: <ul style="list-style-type: none"><li>• Iterations=5</li><li>• File Size=64 KBytes</li><li>• File retention=OnError</li></ul>
Functional (offline)	Yes	Both subtests are selectable, and all the test options are available to scale the <code>cputest</code> as needed.
Functional (online)	Yes	Both subtests are selected. The test options are fixed with the following values: <ul style="list-style-type: none"><li>• Iterations=20</li><li>• File Size=256 Kbytes</li><li>• File retention=OnError</li></ul>

---

# cputest Command-Line Syntax

```
/opt/SUNWvts/bin/cputest standard_arguments -o  
dev=device_name,count=count_number,test=testlist,size=file_size  
,retain=mode
```

TABLE 9-3 cputest Command-Line Syntax

Argument	Description
<b>dev</b> = <i>device_name</i>	Specifies the name of the device to test, for example: cpu-unit5
<b>count</b> = <i>count_number</i>	Defines the number of times to loop on the subtests. Use a number from 1 to 8192. The default is 200.
<b>test</b> = <i>testlist</i>	Specifies which subtests to run. The choices are: <ul style="list-style-type: none"><li>• CUC</li><li>• g0</li><li>• CUC+g0</li></ul>
<b>size</b> = <i>file_size</i>	Specifies the size of the CUC pattern file in KBytes. Select a value from 1 to 8192. The default is 1024.
<b>retain</b> = <i>mode</i>	Specifies whether the cputest removes the CUC pattern files or not. The choices are: <ul style="list-style-type: none"><li>• Purge—unconditionally remove the four subtest files</li><li>• Save—do not remove any of the four subtest files</li><li>• OnError—remove the four subtest files unless the CUC resulted in a miscompare. In this case do not remove the files.</li></ul> The default is OnError. Refer to the Caution at the beginning of this chapter regarding the Save value.

---

**Note** – 64-bit tests are located in the `sparcv9` subdirectory: `/opt/SUNWvts/bin/sparcv9/testname`. If a test is not present in this directory, then it may only be available as a 32-bit test. For more information refer to “32-Bit and 64-Bit Tests” on page 3.

---

# cputest Error Messages

TABLE 9-4 cputest Error Messages

	Error Message	Probable Cause(s)	Suggested Action (if applicable)
6001	Data Test failed iteration <i>value</i> ; cup-unit <i>N</i> is suspected cause.	Faulty CPU Module	Contact your authorized Sun service provider.
8000	Illegal option value passed to cputest <i>string=string</i>	An incorrect <i>value</i> was entered for parameter <i>option</i>	Check usage by typing cputest -u. Enter correct value.
8001	Failed to allocate test buffer		
8002	unable to bind to cpu= <i>data</i> : <i>string</i>	value cpu may be offline or non-existent. <i>String</i> may offer additional explanation.	
8003	program operation <i>string</i> failed with due to <i>data</i>		
8004	system call <i>string</i> failed with: <i>string</i>		
8005	exec'd program <i>string</i> failed with code <i>data</i>		
8006	<i>string</i> environment incompatibility caused operation <i>string</i> to fail.		
8007	bin_probe: argument error	An internal program error.	
8008	bin_probe() <i>string</i> unavailable because: <i>string</i>	Required command not in /usr/bin or access permission issue.	Make sure that compress, uncompress, cmp, and rm are in /usr/bin. Also, check permissions.
8010	Unable to create file <i>string</i>	/tmp is full or access permission issue.	Check that /tmp is not full and that it is writable.
8011	Unable to allocate <i>data</i> byte buffer for <i>string</i>	A memory resource issue.	

**TABLE 9-4** cputest Error Messages (Continued)

	<b>Error Message</b>	<b>Probable Cause(s)</b>	<b>Suggested Action (if applicable)</b>
8012	Unable to write <i>data</i> bytes to <i>string</i>	A disk resource or access issue.	Check that /tmp is not full and that it is writable.
8013	NOT superuser; MUST be superuser to run this program		Become superuser.
8014	Illegal option name passed to cputest <i>string</i>	User error	Check usage by typing cputest -u





## Disk and Floppy Drives Test (`disktest`)

---

`disktest` verifies the functionality of hard drives and diskette drives using three subtests (see TABLE 10-1): Media, File System, and Asynchronous I/O. Most disk drives, such as SCSI disks, native or SCSI floppy disks, IPI, and so on, are supported. The type of drive being tested is displayed at the top of the Test Parameter Options dialog box.

The `disktest` Test Parameter Options dialog box shows all the partitions that are available for testing. The file System subtest can only be run if the selected partition is mounted (described below). The WriteRead option of the Media subtest is allowed only if a selected partition is *not* mounted.

---

### `disktest` Test Requirements

By default, `disktest` does not mount any partitions. To have SunVTS pre-mount all mountable partitions, set the environment variable `BYPASS_FS_PROBE` to 0 (zero) before starting SunVTS. Pre-mounting can be disabled by unsetting `BYPASS_FS_PROBE` or changing it to a value other than 0 (zero).

The mount point used by `disktest` is the word *disktest* appended by the name of the disk partition. For example, if the disk partition name is `/dev/dsk/c0t3d0s0`, `disktest` mounts it as superuser under the name `/disktest_c0t3d0s0`



---

**Caution** – If a power failure occurs while the Media subtest is running in WriteRead mode, disk data may be destroyed.

---



---

**Caution** – Running the Media subtest on a disk partition in the WriteRead mode may cause data corruption if the same partition is being used by other programs. Only select this mode when the system is offline (not used by any other users or programs).

---

`disktest` tests the floppy drive regardless of whether the Volume Management software is running or not. The following mount point names are used:

- If the Volume Management software *is* running, `disktest` tests the disk drive with the mount point name in the `/etc/mnttab` file.
- If the Volume Management software *is not* running, `disktest` tests the disk drive with the device name `dev=/dev/diskette`. Do not edit the `/etc/vold.conf` file to change the diskette drives. Currently, the SunVTS software is hard-coded to use these path names as the default logic names.

Loading an option file (refer to the *SunVTS User's Guide* for option file details) that was created when `BYPASS_FS_PROBE` was set to 0 (zero) might not work if the `BYPASS_FS_PROBE` environment variable is no longer set to 0. Testing may fail with the following error:

```
SUNWvts.disktest.8088 07/24/98 15:47:22 disktest c0t0d0 FATAL:
"Couldn't get file system information on /disktest_s0t0d0s0,
statvfs() system call failure error: No such file or directory.
```

This error is caused when SunVTS expects to use the predefined mount point names that are created when `BYPASS_FS_PROBE` is set to 0 (zero), but these mount points do not exist while `BYPASS_FS_PROBE` is not set to 0.

To use option files with `disktest`, create two separate option files for the two different states of the `BYPASS_FS_PROBE` environment variable.

TABLE 10-1 describes the `disktest` subtests

TABLE 10-1 `disktest` Subtests

Subtest	Description
Media subtest	<p>Verifies disk media by writing data to and reading data from the disk. The Media subtest treats a disk as one large chunk of contiguous data.</p> <p>This is a scalable test that can run multiple copies in read/write mode on the same disk partition. To avoid data corruption, all simultaneous instances of <code>disktest</code> communicate through a shared memory service. This ensures that different copies of the media subtest do not overlay the same disk block at the same time.</p>
File System subtest	<p>Verifies the disk system's integrity. The File System subtest exercises the partition being tested to determine if it is mounted. If the partition is not already mounted or pre-mounted, then the test is blocked. The test opens two temporary files (of the size specified on <code>File System File Size</code>) and performs a Read/Write test.</p>
Asynchronous I/O subtest	<p>Uses the asynchronous read/write feature of the Solaris disk driver to exercise the disk. In read-only mode, the test sends a maximum of four asynchronous read packets, each with a random size and a random offset into the selected partition. The test then waits for all outstanding I/O activity to complete before issuing another round of packets. This process continues until the whole area is tested. In read-write mode, one write packet is issued in every four read packets as a spot check of the write operation. Before data is written to a particular location, data is backed up, write-verified, and restored to its original state.</p>

---

## `disktest` Test Options

To reach the dialog box below, right-click on the test name in the System Map and select Test Parameter Options. If you do not see this test in the System Map, you might need to expand the collapsed groups, or your system may not include the device appropriate to this test. Refer to the *SunVTS User's Guide* for more details.

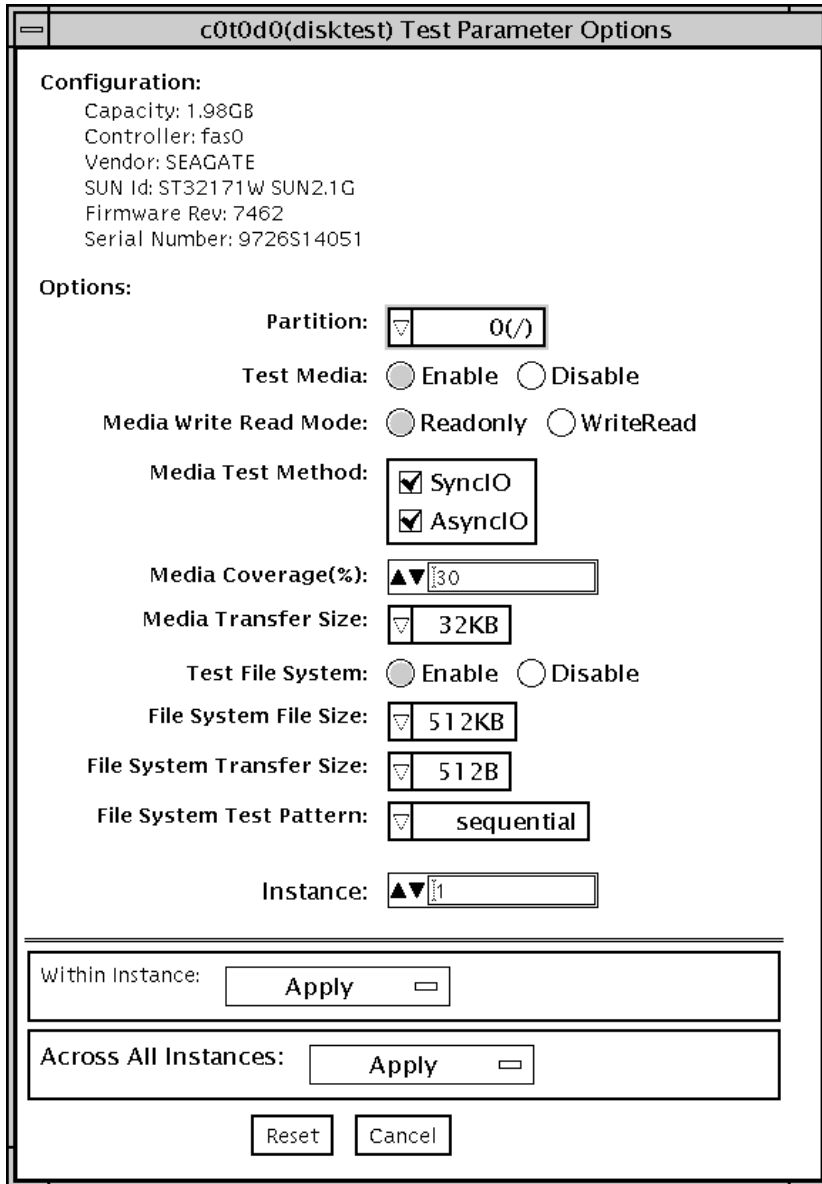


FIGURE 10-1 disktest Test Parameter Options dialog box

TABLE 10-2 describes the `disktest` option menu for different test modes.

**TABLE 10-2** `disktest` Configurations and Options

<code>disktest</code> Options	Description
Partition	Displays the partition for the Media subtest. If a partition is mounted, its mount point is appended after the partition number, such as <code>1(/usr)</code> , where <code>1</code> is the partition number, and <code>/usr</code> is the mount point.
Test Media	Enables or disables the Media subtest.
Media Write Read Mode	Enables Read-Only or Read mode after write, with or without backup.
Media Test Method	Enables or disables the Media Test Methods (SyncIO and AsyncIO).
Media Coverage (%)	Enables users to test all or part of a partition (in percentages).
Media Transfer Size	Displays the transfer size of the media subtest.
Test File System	Enables or disables the File System subtest.
File System File Size	Creates a file system file size twice the size of what is specified.
File System Transfer Size	Displays the transfer size of the File System subtest.
File System Test Pattern	Test pattern of File System subtest.
Connection Test for Hard Disk	<ul style="list-style-type: none"> <li>• Option Menu for hard disk partition—0 - 7 [default]</li> <li>• Test Media—[Enable](fixed to Enable)</li> <li>• Media Write Read Mode—[Read Only](fixed to Read Only) Media Test Method-[SyncIO] (fixed to SyncIO)</li> <li>• Media Coverage(%)—1</li> <li>• Media Transfer Size—[2KB]</li> <li>• Test File System—[Disable](fixed to Disable)</li> </ul>

**TABLE 10-2** disktest Configurations and Options (*Continued*)

disktest Options	Description
Online Mode for Hard Disk	<ul style="list-style-type: none"> <li>• Partition—0 - 7 [default]</li> <li>• Test Media—[Enable] [Disable]</li> <li>• Test Mode—[Read-only~](fixed to Read-only)</li> <li>• Media Coverage(%)—[10]</li> <li>• Media Transfer Size—[2KB]</li> <li>• Test File System—[Disable~](fixed to Disable)</li> </ul>
Functional Test for Hard Disk	<ul style="list-style-type: none"> <li>• Partition—0 - 7 [default]</li> <li>• Test Media—[Enable] [Disable]</li> <li>• Media Write Read Mode—[Read-only] [WriteRead]</li> <li>• Media Test method—[SyncIO] [AsyncIO]</li> <li>• Media Coverage(%)—[30]</li> <li>• Media Transfer Size—[2KB] [16KB] [32KB] [64KB] [128KB] [256KB] [512KB]</li> <li>• Test File System—[Enable] [Disable]</li> <li>• File System File Size—[512KB] [2MB] [8MB] [20MB] [100MB] [200MB]</li> <li>• File System Transfer Size—[512B] [1024B] [10KB] [40KB] [80KB]</li> <li>• File System Test Pattern—[sequential] [0x00000000] [0xffffffff] [0x5aa55aa5] [0xdb6db6db] [random]</li> </ul>
Functional Test for Floppy Disk	<ul style="list-style-type: none"> <li>• (under Other-Devices group)—partition: 0 - 7 [default]</li> <li>• Test Media—[Enable]- [Disable]</li> <li>• Media Write Read Mode—[Read-only] [BackupWriteRead]</li> <li>• Media Test Method—[SyncIO] [AsyncIO]</li> <li>• Media Coverage(%)—[30]</li> <li>• Media Transfer Size—[2KB] [10KB] [20KB]</li> <li>• Test File System—[Enable] [Disable]</li> <li>• Floppy File Size— [100KB] [200KB]</li> <li>• Floppy Transfer Size—[512B] [1024B] [10KB]</li> <li>• File System Test Pattern—[sequential] [0x00000000] [0xffffffff] [0x5aa55aa5] [0xdb6db6db] [random]</li> </ul>

---

# disktest Test Modes

TABLE 10-3 disktest Test Modes

Test Mode	Supported?	Description
Connection	Yes	Only one instance of <code>disktest</code> (which monitors UNIX error messages) is allowed for each disk device. <code>disktest</code> displays messages and reports errors. The test also opens the hard disk, checks the disk configuration, reads a few blocks, and then closes the hard disk. No File System subtest is run. No Write option is available in Connection test.
Functional (offline)	Yes	This mode does not allow <code>disktest</code> to monitor UNIX error messages. More than one instance of <code>disktest</code> is allowed for one disk device. Both the File System and Media subtests can be run in offline Functional test mode. The floppy test can also be run in offline Functional test mode.
Functional (online)	Yes	In this mode, <code>disktest</code> also opens the hard disk, checks the disk configuration, and executes the Media subtest. Next, <code>disktest</code> performs random seek checks. No File System subtest is run. When the test finishes, <code>disktest</code> closes the disk device being tested. No Write option is available in online Functional mode.

---

# disktest Command-Line Syntax

```
/opt/SUNWvts/bin/disktest standard_arguments -o p=n,-i=n,  
-w=n,dev=device_name,partition=0-7,rawsub=E/D,rawrw=,  
rawcover=,rawiosize=,fssub=,fssize=,fsiosize=, fspattern=
```

TABLE 10-4 disktest Command-Line Syntax

Argument	Explanation
<code>p=number</code>	Sets the number of passes for the test to run. Default is 1.
<code>i=number</code>	Sets the number of total instances for the test. Default is 1.
<code>w=number</code>	Determines which instance this test is assigned. Default is 0.
<code>dev=device_name</code>	Specifies the name of the disk to be tested, such as <code>c0t3d0</code> .

**TABLE 10-4** disktest Command-Line Syntax (*Continued*)

Argument	Explanation ( <i>Continued</i> )
<b>partition=0-7</b>	Specifies the partition number to test as <b>partition=6(/export/s6)</b> if mounted on partition 6.
<b>rawsub=Enable/Disable</b>	Enables or disables the media subtest.
<b>rawrw=</b> Readonly WriteRead	Specifies the Media subtest Read and Write mode: <ul style="list-style-type: none"> <li>• Read only</li> <li>• Write, read then backup</li> </ul>
<b>rawcover=</b>	Specifies media coverage from 0-100% of the partition.
<b>rawiosize=2KB,16KB,32KB,64KB,128KB,256KB,512KB</b>	Specifies the media size to transfer.
<b>fssub=Enable/Disable</b>	Enables or disables the File System subtest.
<b>fspattern=data pattern</b>	Specifies the file system data pattern as sequential or random. {seq(ue)ntial)/0x0(0000000)/0xf(ffffff)/0xa (5a5a5a5)/0x5(a5a5a5a)/ran(dom)/0xd(b6db6db)}
<b>fssize=file system size</b>	Indicates the file system subtest size in kilobytes or megabytes: <ul style="list-style-type: none"> <li>• K/k/KB/kb—kilobytes</li> <li>• M/m/MB/mb—megabytes</li> <li>• {512KB, 2MB, 8MB, 20MB, 100MB, 200MB}</li> </ul>
<b>fsiosize=file system I/O transfer size</b>	Indicates the size of the file system subtest I/O transfer in bytes or kilobytes: {512B/1024B/10KB/40KB/80KB}

**Note** – 64-bit tests are located in the `sparcv9` subdirectory: `/opt/SUNWvts/bin/sparcv9/testname`. If a test is not present in this directory, then it may only be available as a 32-bit test. For more information refer to “32-Bit and 64-Bit Tests” on page 3.



# disktest Error Messages

**TABLE 10-5** disktest Error Messages

Error Message	Probable Cause(s)	Recommended Action
6000 Re-reading and re-comparing block <i>number</i> on name	Media error. Faulty cable, disk, or controller.	If the problem persists, call your authorized Sun service provider.
6002 Error on re-comparing block <i>number</i> on <i>name</i>	Media error. Faulty cable, disk, or controller.	If the problem persists, call your authorized Sun service provider.
6004 <i>name</i> failed on <i>name</i> , blk <i>number</i> : <i>error_message</i>	Faulty cable, disk, or controller.	If the problem persists, call your authorized Sun service provider.
6006 Compare error on <i>name</i> , block <i>number</i> , offset <i>number</i>	Faulty cable, disk, or controller.	If the problem persists, call your authorized Sun service provider.
6008 Compare error: Block <i>number</i> on <i>name</i> was written with a repeating hex pattern of <i>number</i>	Media error. Faulty cable, disk, or controller.	If the problem persists, call your authorized Sun service provider.
6010 TIME OUT!	System too busy. Faulty cable, disk, or controller.	Reduce the system load. If the problem persists, call your authorized Sun service provider.
6012 Couldn't close <i>name</i>	System error.	
6014 <i>name</i> read failed on disk, in-between blocks <i>number</i> and <i>number</i> : <i>name</i>	Media error. Faulty cable, disk, or controller.	If the problem persists, call your authorized Sun service provider.
6016 <i>name</i> read failed due to unexpected end of media		
6018 <i>name</i> write failed on disk, in-between blocks <i>number</i> and <i>number</i> : <i>name</i>	Media error. Faulty disk or controller.	If the problem persists, call your authorized Sun service provider.
6020 <i>name</i> write failed due to unexpected end of media:		

**TABLE 10-5** disktest Error Messages (Continued)

Error Message	Probable Cause(s)	Recommended Action
6022 <i>name</i> compare failed on <i>name</i> , block <i>number</i> , offset <i>number</i>	Media error. Faulty disk or controller.	If the problem persists, call your authorized Sun service provider.
6024 Couldn't close <i>name</i>	Faulty disk or controller. System error.	If the problem persists, call your authorized Sun service provider.
6026 failed automount <i>name</i> onto <i>name: error_message</i>	Un-supported file system. System error.	Disable the file system subtest. Disable the file system subtest. If the problem persists, call your authorized Sun service provider.
6028 <i>error_message</i>		
8000 File system subtest only allow to run on off-line mode	Parameter error.	Re-enter the command line correctly.
8002 malloc() failed	System load too heavy. System error.	
8006 File operation error: Couldn't <i>name</i> file <i>name</i> on <i>name: error_message</i>	Lack of system resource. Permission error. System error.	Reduce the system load. Check directory or file permission. If the problem persists, call your authorized Sun service provider.
8008 Not enough free blocks on <i>name</i> (partition <i>number</i> )		Try another partition or delete files.
8010 No writable partition on <i>name</i>		Try another partition.
8012 No file system on device: <i>name</i>		Use <code>newfs</code> to create the file system. Disable the File System subtest.

**TABLE 10-5** disktest Error Messages (Continued)

Error Message	Probable Cause(s)	Recommended Action
8014    Couldn't run fstest on any partition of device: <i>name</i> (except 2)	File system not supported.	Disable the File System subtest.
	System error.	If the problem persists, call your authorized Sun service provider.
8016    Cannot open device: <i>name</i>	Parameter error.	Enter the correct name of disk as dev=c0t3d0.
	System error.	If the problem persists, call your authorized Sun service provider.
8018    Couldn't mount /dev/dsk/ <i>name</i>	Parameter error.	Enter the correct name of disk as dev=c0t3d0.
	System error.	If the problem persists, call your authorized Sun service provider.
8020    Couldn't remove temporary dir <i>name</i> : <i>error_message</i>	System error.	If the problem persists, call your authorized Sun service provider.
8022    fail get semaphore: <i>error_message</i>	Lack of system resource.	Reduce the system load.
	System error.	If the problem persists, call your authorized Sun service provider.
8024    failed lock mtab semaphore: "semop" system call failure, errmsg <i>error_message</i>	disktest instances exceed system semaphore operation limitation (default system limit for seminfo_semmnu=30) system software error.	Add the line "set semsys: seminfo_semmnu=0x100" to your /etc/system file and reboot the machine. If the problem persists, call your authorized Sun service provider.
8026    fail unlock mtab semaphore: <i>error_message</i>	System error.	If the problem persists, call your authorized Sun service provider.
8028    failed get_volmgr_name()		
8030    Couldn't open <i>name</i> : <i>error_message</i>	Cable loose or disconnected.	Check the cable.
	Device offline or missing.	Check the device online.
	Device not configured.	Configure the device.
8032    Get file state <i>name</i> failed: <i>error_message</i>	System error.	If the problem persists, call your authorized Sun service provider.

**TABLE 10-5** disktest Error Messages (Continued)

Error Message	Probable Cause(s)	Recommended Action
8034 Couldn't open <i>name</i>	Permission error. System error.	Check the permissions. If the problem persists, call your authorized Sun service provider.
8036 failed putmntent(): <i>error_message</i>	System error.	If the problem persists, call your authorized Sun service provider.
8038 fail rename file	Permission error. System error.	Check permission. If the problem persists, call your authorized Sun service provider.
8040 Couldn't get mount table entry for <i>name</i>		
8042 Invalid device name in <i>name</i>	Parameter error.	Enter the correct name of disk as dev=c0t3d0.
8044 Message table overflow on device <i>name</i>	Parameter error. System error. Program error.	Enter the correct name of disk as dev=c0t3d0. If the problem persists, call your authorized Sun service provider.
8046 Invalid controller id <i>name</i> for <i>name</i>	Parameter error.	Re-enter the command line correctly.
8048 <i>name</i> , disk DKIOCINFO ioctl: <i>name</i>	Controller is not supported. System error.	Disable the file system subtest. If the problem persists, call your authorized Sun service provider.
8050 failed getting shared memory for monitor <i>number</i> : <i>error_message</i> :	Lack of system resource. System error.	Reduce the system load. If the problem persists, call your authorized Sun service provider.
8052 failed attaching monitor shared memory: <i>error_message</i>	Lack of system resource. System error.	Reduce the system load. If the problem persists, call your authorized Sun service provider.

**TABLE 10-5** disktest Error Messages (Continued)

Error Message	Probable Cause(s)	Recommended Action
8053 failed create monitor shared memory <i>number</i> :	Lack of system resource. System error.	Reduce the system load. If the problem persists, call your authorized Sun service provider.
8054 Shm remove error: <i>error_message</i>	System error.	If the problem persists, call your authorized Sun service provider.
8056 New error messages in system log. Extracted below: <i>error_message</i>	Faulty cable/disk/controller.	See /var/adm/messages for more information. If the problem persists, consult your authorized Sun service provider.
8060 fails to open any partition of <i>name</i>	File system not mounted.	Mount the File System then run the test. Disable the File System subtest. If the problem persists, call your authorized Sun service provider.
8060 failed getting semaphore: <i>error_message</i>	System error.	If the problem persists, call your authorized Sun service provider.
8062 failed getting shared memory: <i>error_message</i>	System error.	If the problem persists, call your authorized Sun service provider.
8064 failed attaching shared memory: <i>error_message</i>	System error.	If the problem persists, call your authorized Sun service provider.
8068 failed unlocking semaphore: <i>error_message</i>	System error.	If the problem persists, call your authorized Sun service provider.
8070 fail open floppy disk	No diskette in drive.	Check the diskette.
8072 failed FDIIOGCHAR on floppy ioctl	System error.	If the problem persists, call your authorized Sun service provider.
8074 ioctl DKIOCGGEO failed	File system not supported. System error.	If the problem persists, call your authorized Sun service provider.

**TABLE 10-5** disktest Error Messages (Continued)

Error Message	Probable Cause(s)	Recommended Action
8074    iocctl DKIOCGAPART failed	System error.	If the problem persists, call your authorized Sun service provider.
8076    fail initialize shared memory	System error.	If the problem persists, call your authorized Sun service provider.
8078    Illegal parameters on Online Mode	Parameter error.	Enter the correct option.
8080    Illegal parameters on Conn. Mode	Parameter error.	Enter the correct option.
8082    failed get_volmgr_name()	No diskette in drive.	Check the diskette.
8084    Mounted file system on device!	Not enough disk space.	Reduce the system load.
	Permission error.	Check directory or file permissions.
	System error.	If the problem persists, call your authorized Sun service provider.
8086    Invalid controller id <i>number</i> from <i>name</i>	Parameter error.	Enter the correct name of disk as dev=c0t3d0.
8088    Couldn't get file system information on <i>name</i> errno= <i>number</i>	System error.	If the problem persists, call your authorized Sun service provider.
8090    iocctl() failed on <i>name: name</i>	System error.	If the problem persists, call your authorized Sun service provider.
8092    Fail to get disk information	No supported disk.	No UNIX message monitor feature in this disk(2).
	System load is too heavy.	Reduce the system load.
8094    Failed to create a message base for controller <i>number</i>	No disk under this controller.	Connect the disk driver then run the test again.
8096    fail to make directory <i>name</i>	Lack of system resource.	Reduce the system load.
	Permission error.	Check directory or file permissions.
	System error.	If the problem persists, call your authorized Sun service provider.
8098    Failed to mount partition	Does this disk only have partition 2?	Partition 2 must be manually mounted.

**TABLE 10-5** disktest Error Messages (Continued)

Error Message	Probable Cause(s)	Recommended Action
8010    r/w is on /dev/rname	System error.	If the problem persists, call your authorized Sun service provider.
8102    write/read count error	Out of disk space.	Try another partition or delete some files.
8104    failed to create buffer	Not enough memory.	Reduce the system load. If the problem persists, call your authorized Sun service provider.
8106    failed aioread() : <i>offset error number error string</i>	Faulty cable, disk, or controller.	If the problem persists, call your authorized Sun service provider.
8108    failed aiowrite() : <i>offset error number error string</i>	Faulty cable, disk, or controller.	If the problem persists, call your authorized Sun service provider.
8110    failed io operation() : <i>number text</i>	Faulty cable, disk, or controller.	If the problem persists, call your authorized Sun service provider.





## Sun StorEdge Hardware RAID Adapter Test (`dpttest`)

---

The `dpttest` exercises the Sun StorEdge PCI SCSI Hardware RAID adapter card. The `dpttest` can test this card with or without devices attached (see notes below).

The test runs firmware tests on the card to check the system interface as well as to verify functionality.

The `dpttest` performs the following subtests:

- DMA subtest: Transfers a 512-byte data block to the card, and then transfers it back. The test compares the result against the original data block and verifies the ECC code that is generated.
- BIST subtest: Re-runs the adapter's built in self test (BIST). BIST tests include:
  - Compare local RAM to flash RAM (quick RAM verify)
  - Data Path test to Domino RAM (cache)
  - Data path test to PLX module
  - Domino RAM test
- MEM-CHECK subtest: Checks the installed add-on memory (cache) to verify that the correct size and number of SIMMs are installed.

---

**Note** – If there are disks attached to the adapter, further diagnostic coverage can be obtained by running the `disktest` on any attached disks and/or raid configurations.

---

---

**Note** – If the card has devices attached, some tests (the BIST RAM subtest) may not run. However, no error will be reported. This is the normal functional test mode and allows the test to be run on a system that is currently in use.

---

# dpttest Options

To reach the dialog box below, right-click on the test name in the System Map and select Test Parameter Options. If you do not see this test in the System Map, you might need to expand the collapsed groups, or your system may not include the device appropriate to this test. Refer to the *SunVTS User's Guide* for more details.

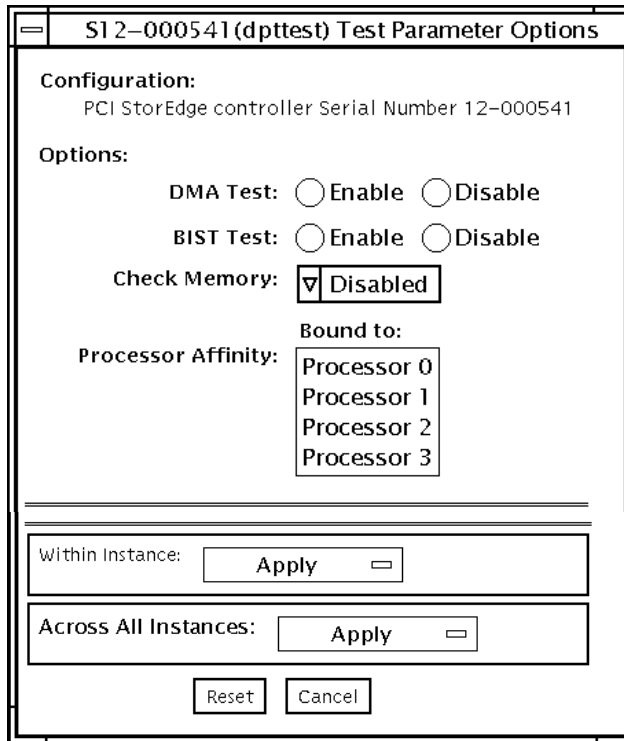


FIGURE 11-1 dpttest Test Parameter Options Dialog Box

**TABLE 11-1** `dpttest` Options

<code>dpttest</code> Options	Description
DMA test	Enables or disables the DMA subtest. Default value: enabled for functional test mode, disabled for connection test mode.
BIST test	Enables or disables the BIST subtest. Default value: enabled for all test modes.
Check Memory	Enables or disables the memory subtest. Default: disabled for all test modes. Note: Sun currently supports 64 megabytes of cache on the SRC/P Hardware RAID card. To check the memory amount, set "Check Memory" to 64 M.

---

## dpttest Test Modes

TABLE 11-2 dpttest Test Modes

Test Mode	Supported?	Description
Connection	Yes	The dpttest polls for the card, and runs only the BIST test.
Functional (offline)	Yes	All subtests are run
Functional (online)	Yes	All subtests are run

---

## dpttest Command-Line Syntax

```
/opt/SUNWvts/bin/dpttest [standard_arguments] -o dev=dev_serial_number,  
dma=Enable/Disable,bist=Enable/Disable,  
memchk=Disabled/16M/32M/48M/64M/128M/192M/256M
```

TABLE 11-3 dpttest Command-Line Syntax

Argument	Explanation
<code>dev=dev_serial_number</code>	Specifies the serial number of the target card to test. The serial number can be found on a label on the back side of the main card. Do not reference the serial numbers of the battery unit or the SCSI daughter card. There is no default value. This option must be specified.

**TABLE 11-3** `dpttest` Command-Line Syntax

Argument	Explanation
<code>dma=Enable/Disable</code>	Enables or disables the DMA subtest. Default: Enabled for functional test mode, disabled for connection test mode.
<code>bist=Enable/Disable</code>	Enables or disables the BIST subtest. Default: Enabled for all test modes.
<code>memchk=Disabled/16M/32M/48M/64M/128M/192M/256M</code>	Specifies the amount of memory to check with the Memory Check subtest. If disabled, no memory verification is done. If the value is set to one of the valid values, the test will verify the configuration of that amount of memory in the adapter. Default: Enabled for functional test mode, disabled for connection test mode. Note: Sun currently supports 64 megabytes of cache on the SRC/P Hardware RAID card. To check the memory amount, set "Check Memory" to 64 M.

---

**Note** – 64-bit tests are located in the `sparcv9` subdirectory: `/opt/SUNWvts/bin/sparcv9/testname`. If a test is not present in this directory, then it may only be available as a 32-bit test. For more information refer to “32-Bit and 64-Bit Tests” on page 3.

---

---

# dpttest Error Messages

**TABLE 11-4** dpttest Error Messages

Error Messages	Probable Cause(s)	Recommended Actions
6000	Bad option passed to test: <i>string</i>	
6001	Error parsing command line options	Check command line and re-enter.
6002	No card serial number passed to test	User error System software Check and retype command. If problem persists, contact your authorized Sun service provider.
6003	Bad value passed for expected memory amount; <i>string</i>	User input Check input parameters.
6004	DMA transfer test failed	Bad hardware RAID card System software Replace the RAID card. If problem persists, contact your authorized Sun service provider.
6005	BIST flash RAM Compare failed	Bad Hardware RAID card System software Replace the RAID card. If problem persists, contact your authorized Sun service provider.
6006	BIST Domino data path test failed	Bad Hardware RAID card System software Replace the RAID card. If problem persists, contact your authorized Sun service provider.
6007	BIST PLX data path test failed	Bad Hardware RAID card System software Replace the RAID card. If problem persists, contact your authorized Sun service provider.
6008	BIST Domino RAM test failed	Bad Hardware RAID card System software Replace the RAID card. If problem persists, contact your authorized Sun service provider.
6009	BIST returned an unknown/unsupported return code	Bad Hardware RAID card System software Replace the RAID card. If problem persists, contact your authorized Sun service provider.
6010	RUN_BIST storage Engine message failed	System software Check for current driver revision. If problem persists, contact your authorized Sun service provider.

**TABLE 11-4** dpttest Error Messages

Error Messages	Probable Cause(s)	Recommended Actions
6011 DMA Loopback failed - data bytes miscompared, first at byte <i>data</i> , Obs: <i>data</i> Exp: <i>data</i>	Bad Hardware RAID card System software	Replace Hardware RAID card. Check for current driver revision. If problem persists, contact your authorized Sun service provider.
6012 Invalid or missing serial number passed in, received <i>string</i>	User error (manual input) System software	Check and retype board serial number to test. If the problem persists, contact your authorized Sun service provider.
6013 No SIMM module found in bank 0	Misconfigured card System software	Check the memory configuration on this card. If the problem persists, contact your authorized Sun service provider.
6014 SIMM in bank <i>data</i> is not an ECC capable SIMM	Bad SIMM installed System software	Check HWRAID card for correct SIMMs. If the problem persists, contact your authorized Sun service provider.
6015 Installed cache SIMM doesn't match required size OBS: <i>data</i> , Exp: <i>data</i>	Bad SIMM installed Wrong SIMMs installed System software	Check installation of SIMMs. Check for correct SIMMs. If the problem persists, contact your authorized Sun service provider.
6016 Non-64MB SIMM modules detected	Bad SIMM installed Wrong SIMMs installed	Check installation of SIMMs. Check for correct SIMMs. If the problem persists, contact your authorized Sun service provider.
6017 Non-contiguous SIMMs detected	Bad SIMM installed SIMMs not installed in correct locations System software	Check SIMMs. Check for correct SIMMs. Check for bad SIMMs. If the problem persists, contact your authorized Sun service provider.
6018 Unmatched SIMM sizes found	Bad SIMM installed Different capacity SIMMs installed System software	Check SIMMs. Check for correct SIMMs. Check for bad SIMMs. If the problem persists, contact your authorized Sun service provider.
6019 Wrong number of SCSI busses found, expected <i>data</i> , found <i>data</i> .	Missing daughter card Faulty connection to daughter card Faulty HWRAID card	Check board for daughter card. Check seating of daughter card in connector. Replace HWRAID card. If the problem persists, contact your authorized Sun service provider.

**TABLE 11-4** dpttest Error Messages

Error Messages		Probable Cause(s)	Recommended Actions
6020	SCSI Expansion Daughter card not found on controller	Missing daughter card Faulty connection to daughter card Faulty HWRAID card	Check board for daughter card. Check seating of daughter card in connector. Check seating of daughter card in connector. If the problem persists, contact your authorized Sun service provider.
6021	Battery Back-up unit not found on controller	Missing BBU unit Faulty connection to BBU unit Faulty HWRAID card	Check board for BBU unit. Check seating of BBU unit to controller. Replace bad BBU unit. Replace HWRAID card. If the problem persists, contact your authorized Sun service provider.
6022	Multiple configuration errors found on controller	See individual errors reported above	See individual errors reported above.
8000	Call to scan for adapters failed with unknown error <i>data</i>	Wrong/Missing Driver System software	Verify driver installation. If problem persists, contact your authorized Sun service provider.
8001	Unable to connect to Store Manager Engine, Engine MSG failed after <i>data</i> retries	Driver not loaded System software	Verify driver package is loaded. If problem persists, contact your authorized Sun service provider.
8002	No adapters found on the system	System software	Check boards in system. Check driver. If problem persists, contact your authorized Sun service provider.
8003	Scan for adapters engine call failed, code <i>data</i>	Bad/Missing cards System software	Check boards in system. Check driver. If problem persists, contact your authorized Sun service provider.
8004	Storage engine failed to rescan for adapters, code <i>data</i>	System software	Check boards in system. Check driver. If problem persists, contact your authorized Sun service provider.
8005	Could not locate board serial number <i>string</i> in this system.	Bad board System software Bad entry	Check boards in system. Check driver. Check serial number entry. If problem persists, contact your authorized Sun service provider.



**TABLE 11-4** dpttest Error Messages

<b>Error Messages</b>	<b>Probable Cause(s)</b>	<b>Recommended Actions</b>
8006 Malloc failed, <i>string</i>	System resources low System software	Reduce the load on the system. If problem persists, contact your authorized Sun service provider.
8007 Current engine incompatible-- expected compat tag <i>data</i> , got <i>data</i>	Wrong driver package revision System software	Verify correct driver and test packages installed. If problem persists, contact your authorized Sun service provider.
8008 Unable to verify Storage Manager Engine present after <i>data</i> retries	Driver not loaded System software	Verify driver package is loaded. If problem persists, contact your authorized Sun service provider.
8009 Unable to connect to Storage Manager Engine, Unknown error, retries = <i>data</i>	Driver not loaded System software	Verify driver package is loaded. If problem persists, contact your authorized Sun service provider.



## DVD Test (`dvdtest`)

---

The `dvdtest` tests the DVD by reading a DVD-ROM in the drive.

The `dvdtest` runs even if the Volume Manager is not running. If the Volume Manager is running and no media (DVD or CD) is installed in the drive, SunVTS prompts you to install media in the drive before selecting the test.

---

### `dvdtest` Test Requirements

Load a DVD-ROM into the DVD drive before running this test or the test will fail.

When a DVD-ROM is loaded in the drive, SunVTS uses the `dvdtest` to test the drive. When a CD (non-DVD type) is loaded, SunVTS uses the `cdtest` to test the drive. Whenever you change the media in the drive you must perform a reprobe (refer to the *SunVTS User's Guide* for details) so the SunVTS kernel will associate the correct test (`dvdtest` or `cdtest`) based on the media that is loaded in the drive.

---

### `dvdtest` Options

To reach the dialog box below, right-click on the test name in the System Map and select Test Parameter Options. If you do not see this test in the System Map, you might need to expand the collapsed groups, or your system may not include the device appropriate to this test. Refer to the *SunVTS User's Guide* for more details.

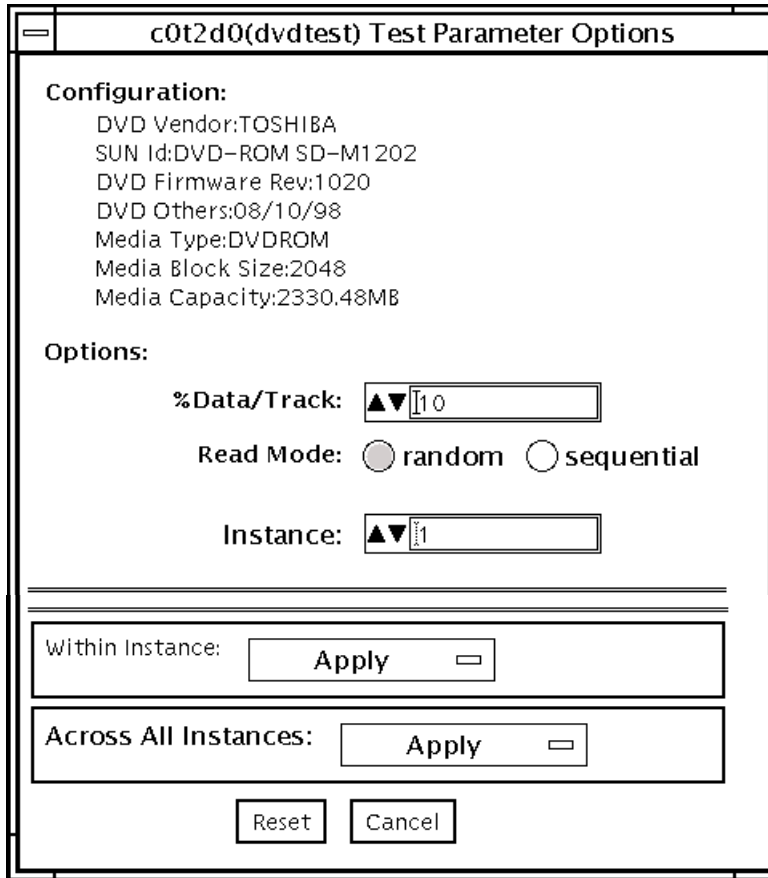


FIGURE 12-1 dvdtest Test Parameter Options Dialog Box

TABLE 12-1 dvdtest Option Menu Descriptions

Option	Description
% Data/Track	Specifies a percentage of data to test for each track. Use a number between 0 and 100.
Read Mode	Specifies either Random or Sequential mode. Random mode reads data blocks from random track positions. Sequential mode reads data blocks in sequence. For both modes, the total number of blocks read is determined by the % Data/Track value.

---

## dvdtest Test Modes

The following table describes how the `dvdtest` functions in the different test modes.

TABLE 12-2 `dvdtest` Test Modes

Test Mode	Supported?	Description
Connection	Yes	<code>dvdtest</code> requests and displays information from the drive and reads two blocks of data from the media to confirm connectivity. An error is reported if no media is loaded in the drive.
Functional (Offline)	Yes	<code>dvdtest</code> requests and displays information from the drive, then reads data from the media based on the options that are set in the Test Parameter Options Dialog Box. An error is reported if no media is loaded in the drive.
Functional (Online)	Yes	<code>dvdtest</code> runs the same as in Functional Offline mode. However, the default option values restrict <code>dvdtest</code> to only read a small percentage of the media. This adequately verifies the functionality of the drive and keeps the test run time short.

---

## dvdtest Command-Line Syntax

`/opt/SUNWvts/bin/dvdtest standard_arguments`

`-o dev=device_name,read=random|sequential,data=%_of_data`

TABLE 12-3 `dvdtest` Command-Line Syntax

Argument	Description
<code>dev=device_name</code>	Specifies the name of the device to test, for example <code>/dev/rdisk/cntndn</code> .
<code>read=random sequential</code>	Indicates random or sequential read access.
<code>data=%_of_data</code>	Sets the percentage of data to test. Use a number from 0 to 100.

---

**Note** – 64-bit tests are located in the `sparcv9` subdirectory: `/opt/SUNWvts/bin/sparcv9/testname`. If a test is not present in this directory, then it may only be available as a 32-bit test. For more information refer to “32-Bit and 64-Bit Tests” on page 3.

---

---

## dvdtest Error Messages

**TABLE 12-4** dvdtest Error Messages

	<b>Error Message</b>	<b>Probable Cause(s)</b>	<b>Suggested Action (if applicable)</b>
8000	Fail to open device <i>string</i>		
8001	Fail ioctl <i>string</i>		
8002	Fail ioctl <i>string</i>	No partitions on the disc.	
8003	Fail to allocate <i>data</i> bytes of memory		
8005	Data miscompare while reading <i>data</i> bytes starting from block <i>data</i>	An incorrect value for <i>cdtype</i> has been passed to <i>cdtest</i> or bad media.	
8006	ioctl CDROMSTART failure	No media in the drive. Drive not connected or configured properly.	
8007	Failed to get information about <i>string</i>	No media in the drive. Drive not connected or configured properly.	
8010	The media is not CD/DVD. The type is <i>data</i> .		
8012	Failed on ioctl <i>string</i>		

**TABLE 12-4** dvdtest Error Messages

	<b>Error Message</b>	<b>Probable Cause(s)</b>	<b>Suggested Action (if applicable)</b>
8014	Failed on iotcl <i>string</i>		
8016	Failed on iotcl <i>string</i>	Device driver does not support DVD device.	Install new device driver or new OS. If the problem persists, call your authorized Sun service provider.
8018	Not a DVD media	Not a DVD type media installed.	Insert the DVD media. If the problem persists, call your authorized Sun service provider.





## ECP 1284 Parallel Port Printer Test (ecpptest)

---

The `ecpptest` verifies the functionality of the `ecpp(7)` IEEE 1284 parallel printer port device.

The `ecpp(7)` device is an *exclusive use device*. Only one application can interface with it at a time.

This test is not scalable.

---

### `ecpptest` Hardware and Software Requirements

The `ecpp(7)` driver is installed with the OS if the system being tested supports the `ecpp(7)` device. To run the optional printer subtest, a Centronics or ECP-mode printer must be attached to the printer port. To run the optional external loopback test, a passive loopback connector must be installed on the printer port.

---

**Note** – The external loopback test is intended for Sun internal manufacturing use only. It requires a custom loopback connector not available to an external customer.

---

---

# ecpptest Subtests

**TABLE 13-1** ecpptest Subtests

Subtest	Description
Internal Test FIFO Loopback	Verifies DMA and PIO accesses to the <code>ecpp</code> device. It uses an internal test fifo on the <code>ecpp</code> device. There are no printer or loopback connectors required. This test is always executed.
External Passive Loopback	This verifies the parallel port I/O connections to the back panel connector. This test requires a passive loopback connector (Sun part no. 270-2965-01). This test is disabled by default and must be manually enabled by the user.  Note: The external loopback test is intended for Sun internal manufacturing use only. It requires a custom loopback connector that is not available to an external customer.
Printer test	This verifies the parallel port printer operation. It will output a half page of ASCII character data. The output mode (for example, ECP and Centronics) is determined by which mode the printer and <code>ecpp</code> driver automatically negotiate. It will not change the current mode. The user must verify that data printed properly. This test is disabled by default and must be manually enabled by the user.

---

# ecpptest Options

To reach the dialog box below, right-click on the test name in the System Map and select Test Parameter Options. If you do not see this test in the System Map, you might need to expand the collapsed groups, or your system may not include the device appropriate to this test. Refer to the *SunVTS User's Guide* for more details.

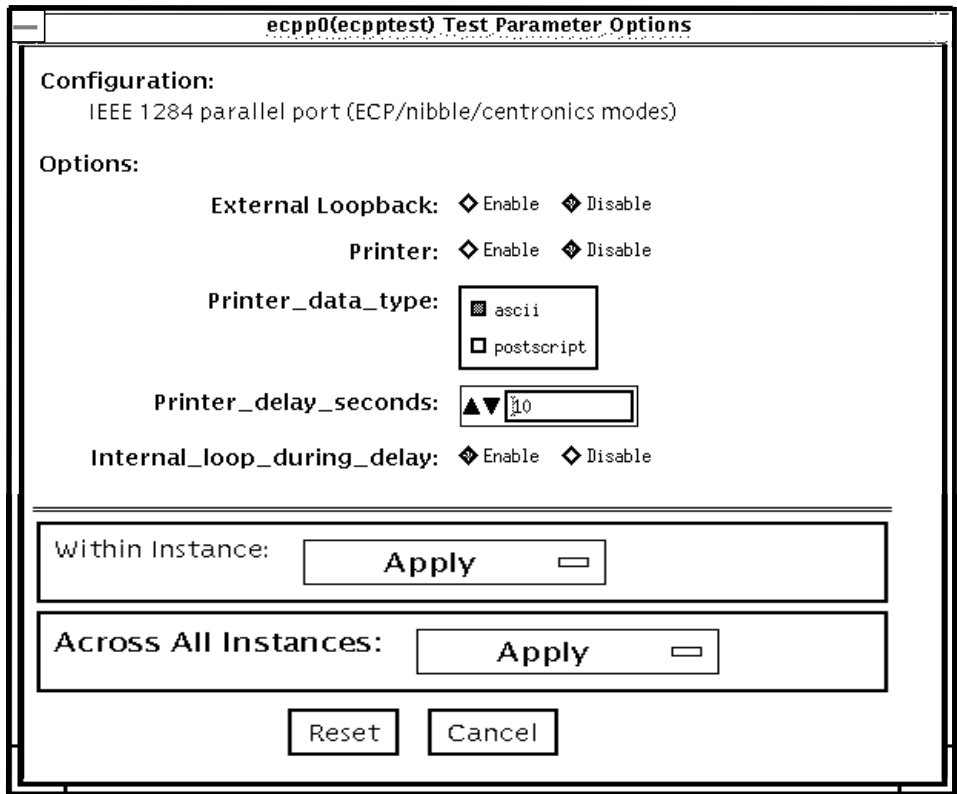


FIGURE 13-1 ecpptest Test Parameter Options dialog box

TABLE 13-2 ecpptest Options

ecpptest Options	Description
External Loopback	Enables or disables the external loopback test. This test requires a special loopback plug.
Printer	Enables or disables the printer test; this test requires a printer to be attached to the parallel port.

**TABLE 13-2** `ecpptest` Options

<code>ecpptest</code> Options	Description
<code>Printer_data_type</code>	Choose whether ascii text or PostScript data is sent to the printer. The printer test must be enabled for this to be meaningful. A postscript printer must be attached to print postscript data.
<code>Printer_delay_seconds</code>	Allows the user to choose a delay between passes of the printer test. This prevents continuous printing of data that could quickly empty the paper supply. This is only meaningful if the printer test is enabled.
<code>Internal_loop_during_delay</code>	Enables the Internal Test FIFO loopback test during the printer delay time. This is only meaningful if the printer test is enabled.

---

# ecpptest Test Modes

TABLE 13-3 `ecpptest` Test Modes

Test Mode	Supported?	Description
Connection	Yes	Opens and closes the <code>ecpp(7)</code> device. No data is transferred. The test passes if the device can be open and closed successfully. The test also passes if the device cannot be opened because the device is busy with another process
Functional (offline)	Yes	Runs the internal loopback test and the user can optionally run the External loopback test and Printer test. The test will fail if the device is busy
Functional (online)	Yes	This mode runs the internal loopback test. If the device cannot be opened because it is busy, then it is assumed that the device is successfully connected to another process

---

# ecpptest Command-Line Syntax

```
/opt/SUNWvts/bin/ecpptest standard_arguments -o [dev=device_name]
[ext_loop=Enable/Disable][printer=Enable/Disable][,data=ascii|postscript][,
delay=0-86400][,dloop=Enable/Disable]
```

TABLE 13-4 `ecpptest` Command-Line Syntax

Argument	Explanation
<code>dev=device_name</code>	Specifies the name of the device. This should be of the form <code>/dev/ecpp#</code> , where <code>#</code> is the minor number of the device. The default device is <code>/dev/ecpp0</code> .
<code>ext_loop=Enable/Disable</code>	If enabled, the external loopback test is run. The external loopback plug must be attached to the printer port.
<code>printer=Enable/Disable</code>	If enabled, the printer test is run. A Centronics or ECP mode parallel port printer must be attached

**TABLE 13-4** `ecpptest` Command-Line Syntax

Argument	Explanation ( <i>Continued</i> )
<code>data=ascii postscript</code>	Choose whether ascii text or PostScript data is sent to the printer. A postscript printer must be attached to print postscript data.
<code>delay=0-86400</code>	Allows the user to choose a delay between passes of the printer test. This prevents continuous printing of data that could quickly empty the paper supply.
<code>dloop=Enable Disable</code>	Enables the Internal Test FIFO loopback test during the printer delay time.

---

**Note** – 64-bit tests are located in the `sparcv9` subdirectory: `/opt/SUNWvts/bin/sparcv9/testname`. If a test is not present in this directory, then it may only be available as a 32-bit test. For more information refer to “32-Bit and 64-Bit Tests” on page 3.

---

## ecpptest Error Messages

**TABLE 13-5** `ecpptest` Error Messages

Error Message	Probable Cause(s)	Recommended Action
8000 External loop test and printer test cannot be enabled at the same time	Operator error.	Examine system message files ( <code>/var/adm/messages</code> ) for other information.
8001 <code>device_name</code> : Device does not exist or is otherwise inaccessible	Correct ecpp driver not installed.  Faulty ecpp device or motherboard hardware.  System software problem.	Examine system message files ( <code>/var/adm/messages</code> ) for other information.
8002 Must be super user ( <code>root</code> ) to execute	Operator error.	Examine system message files ( <code>/var/adm/messages</code> ) for other information.

**TABLE 13-5** ecppptest Error Messages (Continued)

	<b>Error Message</b>	<b>Probable Cause(s)</b>	<b>Recommended Action</b>
8003	Failed to open <i>device_name</i> ( <i>error_message</i> )	Correct ecpp driver not installed.  Faulty ecpp device or motherboard hardware.  System software problem.	Examine system message files (/var/adm/messages) for other information.
8004	Failed ioctl <i>name</i> , device = <i>device_name</i> , error = <i>error_message</i>	Correct ecpp driver is not installed.  Faulty ecpp device or motherboard hardware.  System software problem.	Examine system message files (/var/adm/messages) for other information.
8005	Device not in correct mode, device = <i>device_name</i> , expected mode = <i>number</i> , observed mode = <i>number</i>	Correct ecpp driver is not installed.  Faulty ecpp device or motherboard hardware.  System software problem.	Examine system message files (/var/adm/messages) for other information.
8006	<i>device_name</i> : Status line miscompare, expected = <i>number</i> , observed = <i>number</i> , xor = <i>number</i>	Faulty or missing external loopback connector.  Correct ecpp driver is not installed.  Faulty ecpp device or motherboard hardware.  System software problem.	Examine system message files (/var/adm/messages) for other information.
8007	ECPP_nACK in wrong state, expected = <i>number</i> , observed = <i>number</i> , xor = <i>number</i>	Faulty or missing external loopback connector.  Correct ecpp driver not installed.  Faulty ecpp device or motherboard hardware.  System software problem.	Examine system message files (/var/adm/messages) for other information.

**TABLE 13-5** ecpptest Error Messages (*Continued*)

Error Message	Probable Cause(s)	Recommended Action
8008 <i>subtest_name</i> : Data mismatch, expected = <i>number</i> , observed = <i>number</i> , xor = <i>number</i>	<p>Faulty or missing external loopback connector.</p> <hr/> <p>Correct ecpp driver not installed.</p> <hr/> <p>Faulty ecpp device or motherboard hardware.</p> <hr/> <p>System software problem.</p>	Examine system message files (/var/adm/messages) for other information.
8009 Could not set correct port type, expected = <i>number</i> ( <i>device_name</i> ), observed = <i>number</i> , device = <i>device_name</i>	<p>Correct ecpp driver not installed.</p> <hr/> <p>System software problem.</p> <hr/> <p>Faulty ecpp device or motherboard hardware.</p>	Examine system message files (/var/adm/messages) for other information.
8010 <i>subtest_name</i> : Failed to allocate <i>number</i> bytes of memory, error = <i>error_message</i>	<p>System resources temporarily not available, try again.</p> <hr/> <p>Correct ecpp driver not installed.</p> <hr/> <p>Faulty ecpp device or motherboard hardware.</p> <hr/> <p>System software problem.</p>	Examine system message files (/var/adm/messages) for other information.
8011 <i>subtest_name</i> : Write() failed, device = <i>device_name</i> , error = <i>error_message</i>	<p>Correct ecpp driver not installed.</p> <hr/> <p>Faulty ecpp device or motherboard hardware.</p> <hr/> <p>System software problem.</p>	Examine system message files (/var/adm/messages) for other information.
8012 <i>subtest_name</i> : Write count is wrong, expected = <i>number</i> , observed = <i>number</i>	<p>Correct ecpp driver is not installed.</p> <hr/> <p>Faulty ecpp device or motherboard hardware.</p> <hr/> <p>System software problem.</p>	Examine system message files (/var/adm/messages) for other information.



**TABLE 13-5** ecpptest Error Messages (Continued)

	Error Message	Probable Cause(s)	Recommended Action
8013	<i>subtest_name</i> : Data miscompare, expected = <i>number</i> , observed = <i>number</i> , xor = <i>number</i> , offset = <i>number</i>	Correct ecpp driver not installed  Faulty ecpp device or motherboard hardware.  System software problem.	Examine system message files (/var/adm/messages) for other information.
8014	<i>device_name</i> : Device busy	Another process is using the device.  Someone is printing with the device.  Faulty ecpp device or motherboard hardware.  System software problem.	Make sure no other process is using the device.  Make sure no one is printing to the device.  Examine system message files (/var/adm/messages) for other information.
8015	Bad state for device <i>name</i> , expected mode = <i>number</i> , observed mode = <i>number</i>		
8016	ecpp device busy: device <i>name</i> , expected mode = <i>number</i> , observed mode = <i>number</i>		
8017	Paper out: device <i>name</i> , expected mode = <i>number</i> , observed mode = <i>number</i>		
8018	Printer offline: device <i>name</i> , expected mode = <i>number</i> , observed mode = <i>number</i>		

**TABLE 13-5** ecptest Error Messages (*Continued*)

	<b>Error Message</b>	<b>Probable Cause(s)</b>	<b>Recommended Action</b>
8019	Printer error: device <i>name</i> , expected mode = number, observed mode = <i>number</i>		
8020	Printer unplugged: device <i>name</i> , expected mode = <i>number</i> , observed mode = <i>number</i>		
8021	Unrecognized printer error: device <i>name</i> , expected mode = <i>number</i> , observed mode = <i>number</i>		

## Sun StorEdge A5x00 Test (`enatest`)

---

`enatest` is used to provide configuration verification, fault isolation, and repair validation of the Sun StorEdge™ A5x00 subsystem. The `enatest` tests Sun StorEdge models A5000 (14 slot disk array) and A5200 (22 slot disk array).

The Sun StorEdge A5x00 is a high availability mass storage subsystem consisting of:

- SCSI fibre channel protocol host adapters with dual 100-Megabyte FC-AL ports.
- A disk enclosure.
- A front panel display for configuration information.
- Up to two interface boards in the enclosure, which provide FC-AL connections to the enclosure and also provide status information and control of the conditions within the enclosure.
- Other field-replaceable units (FRUs) within the enclosure include power supply units, fan trays, and backplane.

---

**Note** – Do not run `enatest` and `socaltest` at the same time, otherwise test failures might occur.

---

---

**Note** – The Sun StorEdge A5x00 was formally known as the Sun Enterprise Network Array (SENA). The `enatest` tests both of these disk array subsystems.

---

`enatest` detects all Sun StorEdge A5x00 enclosures connected to the host and collects relevant configuration information. FIGURE 14-1 shows the Test Parameter Options menu which contains a sample configuration listing and test parameters. TABLE 14-1 describes the extent of the test coverage and provides samples of the configuration information that is displayed.

**TABLE 14-1** `enatest` Coverage

Test Coverage	Description
Host Connections	<p><code>enatest</code> searches for all the active and inactive connections between the host and the enclosure and reports the number of existing active connections. If the VERBOSE mode is enabled, the port on the host side and the GBIC port on the enclosure side is reported for each active connection. The test also diagnoses any inactive connection(s) and reports the possible causes for the failure. The test will fail if there are one or more inactive connections. See the section on “Fault Isolation Capability” on page 145 for more information.</p>

**TABLE 14-1** enatest Coverage

Test Coverage	Description
Sample Output, for an enclosure attached to an SBus social card:	
SUNWvts.enatest.1010 06/05/97 13:48:53 enatest ses0 VERBOSE: "MYBOX: Lower-Right GBIC connected to host via /devices/sbus@1f,0/ SUNW,socal@0,0:1"	
SUNWvts.enatest.1006 06/05/97 13:48:53 enatest ses0 VERBOSE: "MYBOX: Interface Board (Bottom one in the enclosure) detected to be installed and OK"	
SUNWvts.enatest.6023 06/05/97 13:48:53 enatest ses0 ERROR: "MYBOX: Cannot communicate with the enclosure via /devices/sbus@1f,0/SUNW,socal@0,0:0; possibly connected to Lower-Left GBIC in the enclosure"	
Probable_Cause(s):	
<ul style="list-style-type: none"><li>(1)Signal too low at the GBIC module in the enclosure</li><li>(2)Faulty cable or cable disconnected</li><li>(3)Faulty GBIC module on the host side</li></ul>	
Recommended_Action(s):	
<ul style="list-style-type: none"><li>(1)Ensure the cables are properly connected</li><li>(2)Please contact your service representative</li></ul>	
SUNWvts.enatest.2006 06/05/97 13:48:53 enatest ses0 INFO: "MYBOX: Number of connections to the host: 1"	
Disk Access	During the testing, each disk is accessed through each active connection leading to that disk. The enatest opens partition 2 on the disk and reads 512 bytes of raw data. If there are any failures, the test tries to isolate the fault to either an enclosure element, the cable, the host adapter card, or the OE module on the host adapter. See the section on "Fault Isolation Capability" on page 145 for more information.
Enclosure Status	The status of the enclosure is obtained by querying the SCSI Enclosure Services (SES) device in the enclosure. Detailed information regarding the status of the elements within the enclosure is reported. The test fails if a critical condition is detected in the enclosure. The table below shows how the status information is reported.

**TABLE 14-2** Element Enclosure Status

Enclosure Element	Information
Disk	<ul style="list-style-type: none"><li>• Fault Sensed—Yes/No</li><li>• Status of ports A and B—Connected or Bypassed</li></ul>
Power Supply	<ul style="list-style-type: none"><li>• Status—ON/OFF</li><li>• Temperature—OK/Critical Overtemp/Abnormal</li><li>• AC Input—OK/Not OK</li><li>• DC Output—OK/Not OK</li></ul>
Fan	<ul style="list-style-type: none"><li>• Status—On/Off</li><li>• Speed—High/Low/Stopped</li></ul>
Backplane	<ul style="list-style-type: none"><li>• Status—OK/Failed</li><li>• Status of ports A and B—Connected/Bypassed</li></ul>
Interface Board	<ul style="list-style-type: none"><li>• Temperature—OK/Critical Overtemp</li><li>• Loop A status—OK/Failed</li><li>• Loop B status—OK/Failed</li></ul>
GBIC	<ul style="list-style-type: none"><li>• Status—Disabled/Enabled</li><li>• Signal Level—OK/Too low</li><li>• Transmitter—OK/Failed</li></ul>

---

## enatest Options

To reach the dialog box below, right-click on the test name in the System Map and select Test Parameter Options. If you do not see this test in the System Map, you might need to expand the collapsed groups, or your system may not include the device appropriate to this test. Refer to the *SunVTS User's Guide* for more details.

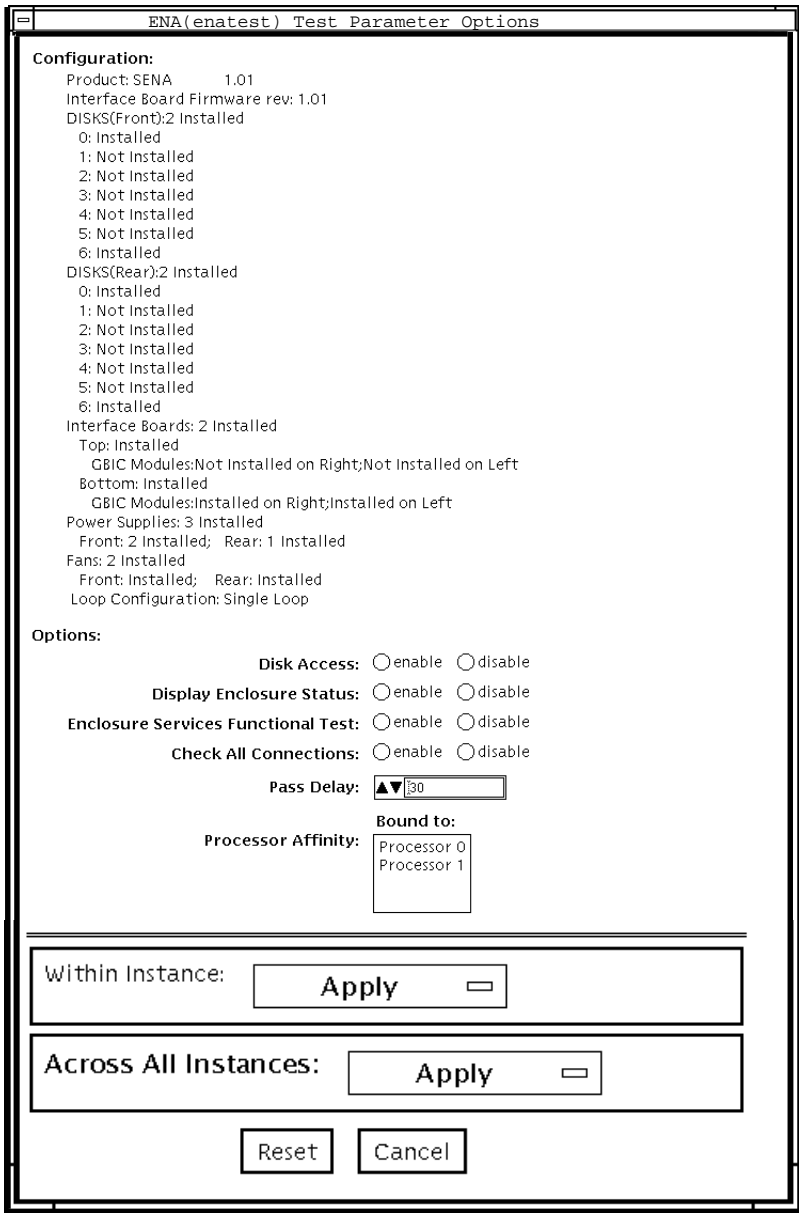


FIGURE 14-1 enatest Test Parameter Options Dialog Box

**TABLE 14-3** enatest Options

enatest Options	Description
Enclosure Services Functional test (general description)	<p>Certain control operations are performed on devices in the enclosure through the SES device and verified that the operation was performed successful. This functional test involves the following steps:</p> <ol style="list-style-type: none"> <li>1. Perform control operation.</li> <li>2. Verify control operation was successful.</li> <li>3. Restore state to what it was before 1.</li> <li>4. Verify restore operation was successful.</li> </ol> <p>The test will fail if any one of the above steps fails.</p>
<hr/> <p>This test targets the disks and the fans in the enclosure.</p> <hr/>	
Enclosure Services Functional test (detailed disk test description)	<ol style="list-style-type: none"> <li>1. Control Operation—Each port of the disk is toggled from its original state. A port that was originally connected will be bypassed and vice-versa.</li> <li>2. Verify Control Operation—This is done in two ways. First, the new status of the disk ports is verified by reading the status through the SES device. The test will fail if the status read back does not reflect the change. Next, disk access is attempted through the port that was originally connected but has now been bypassed. The test will fail if the access attempt is successful.</li> <li>3. Restore State—The port states are restored to what they were before the Control Operation.</li> <li>4. Verify Restore Operation—This is done in two ways. First the status of the disk ports is verified by reading the status through the SES device. The test will fail if the status read back does not reflect the change. Next, disk access is attempted through the port that have been reconnected. The test will fail if the access attempt is unsuccessful.</li> </ol>
Enclosure Services Functional test (detailed Fan test description)	<ol style="list-style-type: none"> <li>1. Control Operation—The speed of each fan is toggled. Possible speeds are HIGH and LOW.</li> <li>2. Verify Control Operation—The status is read back through the SES device and the speeds are compared. Failure to vary the speed in this case will result in an INFO message indicating that the fan speed could not be changed but does not result in a test failure. This is because SES can ignore fan speed change requests if required because of existing ambient temperature conditions.</li> <li>3. Restore State—Restore the fan speed to the original speed.</li> <li>4. Verify Restore Operation—This is similar to the Verify Control Operation step above.</li> </ol> <hr/>



---

# Fault Isolation Capability

In the case of a failure, the test aids in fault isolation by reporting the possible cause(s) of failure. The fault isolation capability varies depending on the nature of the fault and the system configuration. `enatest` can detect and isolate hard faults. The following table shows the fault isolation capability for different configurations. A `Yes` indicates that fault isolation capability is available for that component in that configuration and a `No` indicates lack of fault isolation capability for that component in that configuration.

The following table is not applicable when using the PCI-based fiber channel card due to the cards lack of fault isolation capabilities.

**TABLE 14-4** `enatest` Fault Isolation Configurations

Connections to Enclosure	System Architecture	SOC+ Host Adapter	Host Side GBIC or Cable	Enclosure Elements			
				Disk	Backplane	IB	GBIC
Multiple	sun4u	Yes	Yes	Yes	Yes	Yes	Yes
Multiple	sun4d	Yes	No	Yes	Yes	No	No
Single	sun4u	Yes	No	No	No	No	No
Single	sun4d	Yes	No	No	No	No	No

---

## enatest Test Modes

TABLE 14-5 enatest Test Modes

Test Mode	Supported?	Description
Connection test	Yes	In this mode, the host connections and the status of the enclosure are checked. The test fails if there are any broken connections or if a critical enclosure condition is detected. Non-critical conditions result in a warning. A sample of the output follows.
<pre>Connection test starting....  ses0   Status: Connected   Enclosure:     Product Anemones Enterprise Network Array,     Enclosure Name=MYBOX,   Host Connections:     Number of Active Connections=2,   Enclosure State:     Critical Conditions=None, Non-Critical Conditions=None  Connection test complete</pre>		
Functional (offline)	Yes	All test options are allowed in this mode.
Functional (online)	Yes	The Enclosure Services Functional test is not allowed and the Disk Access option is disabled by default.

---

## enatest Command-Line Syntax

```
/opt/SUNWvts/bin/enatest standard_arguments -o dev=device_name,  
disk_access=enable/disable,disks=disk1:disk2:disk3:...diskn,
```

*disp=enable / disable, esfunc=enable / disable*

**TABLE 14-6** enatest Command-Line Syntax

Argument	Explanation
<b>dev</b>	The name of a <i>ses</i> device in the enclosure.
<b>disk</b>	The disks will be accessed only if this option is enabled.
<b>disks</b>	This argument consists of a colon (:) separated list of disks contained within this enclosure, that the test will attempt to access if the <i>disks_access</i> option is enabled. If this option is absent the test will access all the disks that it can find in the enclosure.
<b>disp</b>	Detailed status information regarding the enclosure elements will be displayed only if this option is enabled.
<b>esfunc</b>	The Enclosure Services Functional test will be performed only if this option is enabled.

**Note** – 64-bit tests are located in the *sparcv9* subdirectory: */opt/SUNWvts/bin/sparcv9/testname*. If a test is not present in this directory, then it may only be available as a 32-bit test. For more information refer to “32-Bit and 64-Bit Tests” on page 3.

# enatest Error Messages

This table describes the `enatest` error messages, probable causes, and recommended actions.

**TABLE 14-7** `enatest` Error Messages

Error Message	Probable Cause(s)	Recommended Action
6000 <i>enclosure_name</i> : Unable to access disk <i>diskname</i> ( <i>enclosure name</i> , <i>Front/Rear</i> , <i>Slot</i> )	Bad disk.	Contact your authorized Sun service representative.
6001 Unable to access any disk through host adapter: <i>host adapter device</i>	Bad host adapter.	Run SunVTS <code>socaltest</code> on the host adapter.
6002 Unable to access any disk through host adapter device	Bad host adapter.	Run SunVTS <code>ifptest</code> on the host adapter.
6003 <i>enclosure_name</i> : Unable to access disk <i>diskname</i> ( <i>enclosure_name</i> , <i>Front/Rear</i> , <i>Slot</i> ) through <i>Host adapter device name</i> . This disk is still accessible through other path(s)	Port A or B of the disk is faulty.	Contact your authorized Sun service representative.
6004 <i>enclosure_name</i> : Failed to determine the location of disk <i>diskname</i>	Invalid device name.	Contact your authorized Sun service representative.
6005 <i>enclosure_name</i> : Could not access <i>diskname</i> ( <i>enclosure_name</i> , <i>Front/Rear</i> , <i>Slot</i> ) through <i>Host adapter device name</i>	Host adapter is faulty.	Contact your authorized Sun service representative.
6006 <i>enclosure_name</i> : Disk <i>diskname</i> cannot be accessed through <i>Host adapter device name</i>	Critical failure in the interface board (in the enclosure) through which this disk is accessed.	Contact your authorized Sun service representative.
6007 <i>enclosure_name</i> : Disk <i>diskname</i> cannot be accessed through <i>Host adapter device name</i>	Interface board (in the enclosure) through which this disk is accessed is not installed.	

**TABLE 14-7** enatest Error Messages (Continued)

	<b>Error Message</b>	<b>Probable Cause(s)</b>	<b>Recommended Action</b>
6008	<i>enclosure_name</i> : Disk <i>diskname</i> cannot be accessed through <i>Host adapter device name</i>	Critical failure (transmitter fault) in the GBIC module (in the enclosure) through which this disk is accessed.	Contact your authorized Sun service representative.
6009	<i>enclosure_name</i> : Disk <i>diskname</i> cannot be accessed through <i>Host adapter device name</i>	Loss of light at the GBIC module (in the enclosure) through which this disk is accessed. <hr/> Faulty cable. <hr/> Faulty GBIC module on the host side.	Contact your authorized Sun service representative.
6011	<i>enclosure_name</i> : Failed to read enclosure status through host adapter device name	Faulty cable, faulty GBIC	Run SunVTS <i>ifptest</i> on the host adapter.
6012	<i>enclosure_name</i> : Failed to read enclosure status through host adapter device name	Bad host adapter	Run SunVTS <i>ifptest</i> on the host adapter.
6013	<i>enclosure_name</i> : Could not access <i>diskname</i> ( <i>enclosure name</i> , <i>Front Rear</i> , <i>Slot</i> ) through <i>Host adapter device name</i>	Faulty GBIC module on host side. <hr/> Bad cable connection.	
6014	<i>enclosure_name</i> : Could not access <i>diskname</i> ( <i>enclosure name</i> , <i>Front Rear</i> , <i>Slot</i> ) through <i>Host adapter device name</i>	Faulty Host Adapter. <hr/> Faulty GBIC on host side. <hr/> Faulty cable.	
6015	<i>enclosure_name</i> : Could not access <i>diskname</i> through <i>Host adapter device name</i>	Disk is not installed.	
6016	<i>enclosure_name</i> : Could not access <i>diskname</i> through <i>Host adapter device name</i>	Disk detected to be installed, but may be bypassed or powered off.	
6017	<i>enclosure_name</i> : Disk <i>diskname</i> cannot be accessed through <i>Host adapter device name</i>	Critical failure in the enclosure backplane through which this disk is accessed.	Contact your authorized Sun service representative.

**TABLE 14-7** enatest Error Messages (Continued)

	Error Message	Probable Cause(s)	Recommended Action
6018	<i>enclosure_name</i> : Disk <i>diskname</i> cannot be accessed through <i>Host adapter device name</i>	Enclosure backplane through which this disk is accessed is not installed.	
6019	<i>enclosure_name</i> : Disk <i>diskname</i> cannot be accessed through <i>Host adapter device name</i>	GBIC module (in the enclosure) through which this disk is accessed is not installed.	
6020	<i>enclosure_name</i> : Cannot communicate with the enclosure via <i>Host adapter device name</i>	Critical failure in the interface board (top/bottom one in enclosure).	Contact your authorized Sun service representative.
6021	<i>enclosure_name</i> : Cannot communicate with the enclosure via <i>Host adapter device name</i>	Interface board (top or bottom) is not installed in the enclosure.	
6022	<i>enclosure_name</i> : Cannot communicate with the enclosure via <i>Host adapter device name</i> ; possibly connected to <i>location</i> GBIC in the enclosure	Critical failure (transmitter fault in the GBIC module in the enclosure).	Contact your authorized Sun service representative.
6023	<i>enclosure_name</i> : Cannot communicate with the enclosure via <i>Host adapter device name</i> ; possibly connected to <i>location</i> GBIC in the enclosure	Signal level too low at the GBIC module in the enclosure. Faulty cable or cable disconnected. Faulty GBIC module on the host side.	Ensure the cables are properly connected. Contact your authorized Sun service representative.
6024	<i>enclosure_name</i> : Cannot communicate with the enclosure via <i>Host adapter device name</i>	GBIC module ( <i>location</i> ) is not installed in the enclosure.	
6026	<i>enclosure_name</i> : Failed to <i>Restore/ Toggle</i> disk ( <i>Front/Rear</i> , slot <i>slot_number</i> ) state. Expected: Port A: <i>Bypassed/ Connected</i> ; Port B: <i>Bypassed/ Connected</i> ; Observed: Port A: <i>Bypassed/ Connected</i> ; Port B: <i>Bypassed/ Connected</i>	Error in Enclosure Services or Enclosure Element.	Contact your authorized Sun service representative.

**TABLE 14-7** enatest Error Messages (Continued)

	<b>Error Message</b>	<b>Probable Cause(s)</b>	<b>Recommended Action</b>
6027	<i>enclosure_name</i> : Unable to access disk <i>diskname</i> ( <i>Front/Rear</i> slot <i>slot_number</i> ) through port <i>A/B</i> even after bringing the port online	Error in Enclosure Services or Enclosure Element.	Contact your authorized Sun service representative.
6028	<i>enclosure_name</i> : Disk access succeeded for <i>diskname</i> ( <i>Front/Rear</i> slot <i>slot_number</i> ) through port <i>A/B</i> even after requesting that the port be bypassed	Error in Enclosure Services or Enclosure Element.	Contact your authorized Sun service representative.
6035	<i>enclosure_name</i> : Cannot access enclosure through <i>Host adapter device name</i>	Critical GBIC failure in the enclosure. Location GBIC: <i>disabled/enabled</i> Signal: <i>signal_level</i> ; Transmitter: <i>Failed OK</i> ; Location GBIC: <i>disabled/enabled</i> Signal: <i>signal_level</i> ; Transmitter: <i>Failed OK</i>	Contact your authorized Sun service representative.
6036	<i>enclosure_name</i> : Critical condition detected in enclosure!		Run this test in 'Functional' mode for more information. Contact your authorized Sun service representative.
8001	Could'nt determine the host adapter through which <i>diskname</i> being accessed	Software error.	Contact your authorized Sun service representative.
8003	Internal error	Software error in test. System error message.	Contact your authorized Sun service representative
8004	<i>enclosure_name</i> : Could not communicate with enclosure via <i>Host adapter device name</i>	Bad connection.	Ensure the cables are properly connected. Contact your authorized Sun service representative.
8005	Could not communicate with the enclosure	Faulty connection.	Ensure the cables are properly connected. Run SunVTS <code>socaltest</code> to verify the host adapter. Contact your authorized Sun service representative.





## StorEdge 1000 Enclosure Test (enctest)

`enctest` tests the Sun StorEdge™ 1000 enclosures. The enclosure can support either 12 1" 4GB drives or 8 1.6" 9GB drives and have redundant power and cooling. Two enclosure models are available:

- StorEdge A1000 – Disk Tray with the hardware RAID controller
- StorEdge D1000 – Disk Tray without the hardware RAID controller.

`enctest` can be used for validation, configuration verification, repair verification, and fault isolation of both models.

The `enctest` probe detects all the connected StorEdge enclosures and displays the status of the various elements in the enclosure.

`enctest` sets the StorEdge D1000 LEDs as follows:

**TABLE 15-1** `enctest` Status LEDs

LED State	Indicated Condition
On	Unrecoverable or critical condition
Blinking	Non-critical condition
Off	Informational or no condition to report

**Note** – The `ses` driver must be present on the system with the StorEdge enclosure(s). If the `ses` driver is not present, SunVTS will not detect the StorEdge hardware. Use the following command to see if the `ses` driver is present:

```
pkginfo SUNWses
```

Install the package if necessary.

enctest reports the status of the various elements in the enclosure. An error is registered if an unrecoverable or critical condition is detected. Non-critical conditions are reported through warning messages. The table below describes the information that is reported for each enclosure element.

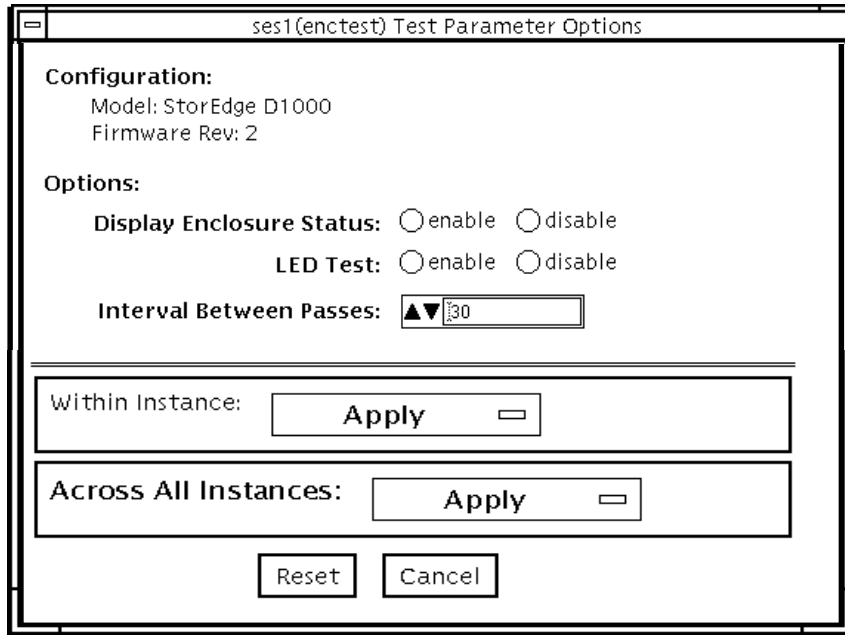
**TABLE 15-2** `enctest` Enclosure Status Report

Enclosure Element	Information reported (per device slot)
Disk	Present/Not Present Failed/OK
Power supply	Present/Not Present Failed/OK
Fan	Present/Not Present Failed/OK
Temperature	OK/Over temperature
RPA cache Battery (StorEdge A1000 only)	OK/Low Charge

---

## enctest Options

To reach the dialog box below, right-click on the test name in the System Map and select Test Parameter Options. If you do not see this test in the System Map, you might need to expand the collapsed groups, or your system may not include the device appropriate to this test. Refer to the *SunVTS User's Guide* for more details.



**FIGURE 15-1** enctest Test Parameter Options Dialog Box

**TABLE 15-3** enctest Options

enctest Options	Description
Display Enclosure Status	When enabled, the status of the enclosure elements are displayed as messages in the SunVTS console. These messages are also logged in the SunVTS info log file.
LED Test	When enabled, the LEDs associated with the disks are flashed for a short period of time.
Interval Between Passes	Sets the minimum delay between successive invocations of the test.

---

## enctest Test Modes

TABLE 15-4 `enctest` Test Modes

Test Mode	Supported?	Description
Connectivity	Yes	The enclosure status summary bits are read. Detailed information is reported only if an unrecoverable or critical condition is detected.
Functional (offline)	Yes	All options are allowed.
Functional (online)	Yes	The LED test is not allowed and the Display Enclosure Status option is disabled by default.

---

## enctest Command-Line Syntax

`/opt/SUNWvts/bin/enctest standard_arguments -o dev=device_name, disp=enable | disable, led=enable | disable, delay=delay_in_seconds`

TABLE 15-5 `enctest` Command-Line Syntax

Argument	Explanation
<code>dev</code>	This is the name of a <code>ses</code> device in the enclosure.
<code>disp</code>	Detailed status information regarding the enclosure elements will be displayed if enabled
<code>led</code>	Option to enable or disable the LED test.
<code>delay</code>	Minimum delay between successive invocations of the test.

**Note** – 64-bit tests are located in the `sparcv9` subdirectory: `/opt/SUNWvts/bin/sparcv9/testname`. If a test is not present in this directory, then it may only be available as a 32-bit test. For more information refer to “32-Bit and 64-Bit Tests” on page 3.

---

---

# enctest Error Messages

This table describes the `enctest` error messages, probable causes, and recommended actions.

**TABLE 15-6** `enctest` Error Messages

	<b>Error Message</b>	<b>Probable Cause(s)</b>	<b>Recommended Action</b>
8000	Failed to open device.	System error. Cable loose or disconnected or device not configured.	Verify the cable is properly connected and the device configured. Contact your authorized Sun service representative.
8001	Failed to communicate with the enclosure	System error. Cable loose or disconnected or device not configured.	Verify the cable is properly connected and the device configured. Contact your authorized Sun service representative.
8002	Cannot proceed further due to lack of memory	Heavy system load.	Please try later.
8003	<i>unrecoverable critical non-critical</i> informational condition detected in the enclosure		
8004	Failed to obtain list of enclosure elements	System error	Contact your authorized Sun service representative.
8005	Failed to obtain status of an enclosure element	System error	Contact your authorized Sun service representative.
8006	Failed to set the status of an enclosure element	System error	Contact your authorized Sun service representative.



## Environmental Test (envtest)

---

`envtest` exercises the I2C bus on the Sun Enterprise™ 450 product line. `envtest` contains five subtests to test and report on the power supply status, system temperature status, fan speed, disk LEDs, and front panel and keyswitch.

`envtest` is not scalable.

---

**Note** – Do not run `envtest` while the system is under a heavy load or false failures may be reported.

---

---

### `envtest` Options

To reach the dialog box below, right-click on the test name in the System Map and select Test Parameter Options. If you do not see this test in the System Map, you might need to expand the collapsed groups, or your system may not include the device appropriate to this test. Refer to the *SunVTS User's Guide* for more details.

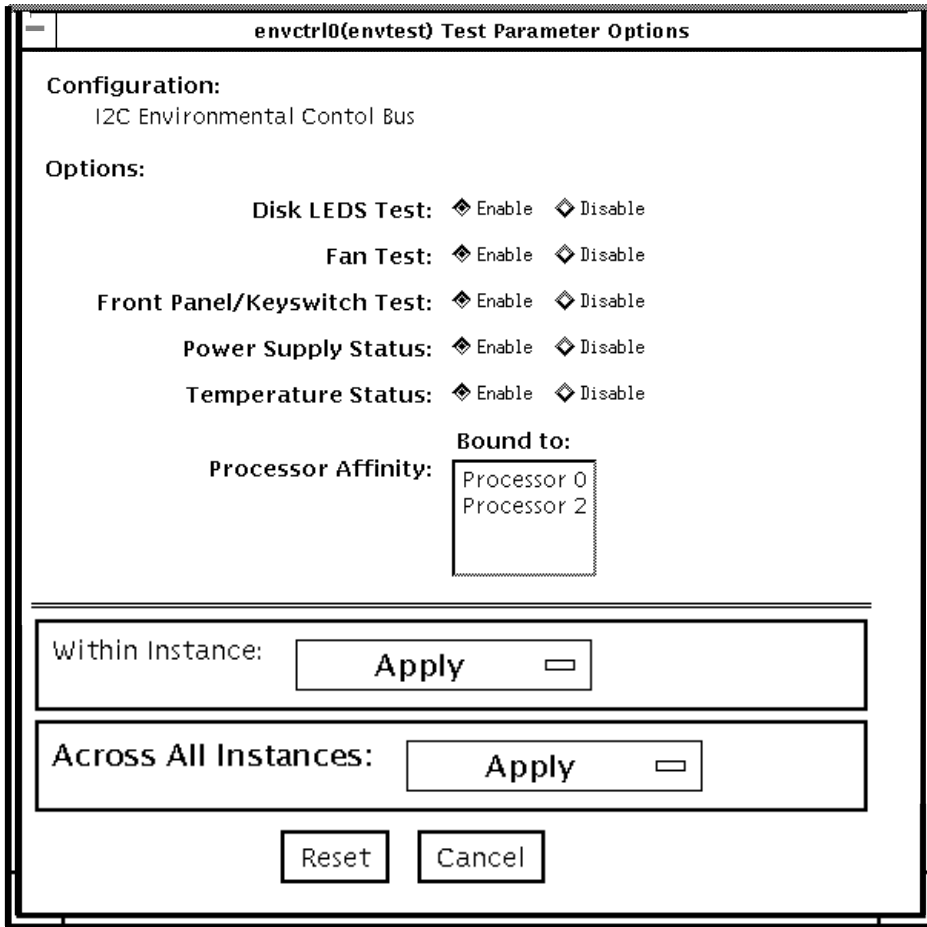


FIGURE 16-1 envtest Test Parameter Options Dialog Box



**TABLE 16-1** envtest Options

<code>envtest</code> Options	Description
Disk LEDs Test	Illuminates each LED on the disk backplane(s) to green, then amber, and then back to its original state. The test then illuminates all disk LEDs to green, then amber, and then back to their original state. This test is only enabled in Functional test mode.
Fan Test	Cycles each fanbank speed to low, medium, and high, then verifies the correct speed. Next, each fanbank is stopped, one at a time. The test then verifies that a fan fault has occurred. Next, the watchdog timer is invoked to simulate a catastrophic failure. The test verifies that the system set all fanbanks to high and then resets the fan speed to normal. This test is only enabled in Functional test.
Front Panel and Keyswitch Test	Flashes each individual LED on the front panel to ON (green or amber), then OFF, and then back to its original state. The test then illuminates all front panel LEDs then sets them back to their original state. The power on LED is Read Only and will not be cycled. The test then displays the current keyswitch position. This test is only enabled in Functional test mode.
Power Supply Status	Identifies the number of power supplies that are in the system, and the state of each power supply, and verifies that the power supply temperatures are within normal operating parameters. This test is enabled in all modes.
Temperature Status	Identifies the current temperature of each CPU in the system, and the ambient temperature of the system, and <code>envtest</code> verifies that all temperatures are within normal operating parameters. This test is enabled in all modes.

---

# envtest Test Modes

envtest supports Connection and Functional tests.

TABLE 16-2 envtest Test Modes

Test Mode	Supported?	Description
Connection	Yes	Reports the status of the power supplies, the temperature sensors within the system, and verifies normal operating parameters.
Functional (offline)	Yes	Tests the disk back panel, front panel LEDs, and fan control circuitry. Also uses the same functionality as online Functional mode and connection mode
Functional (online)	Yes	envtest runs in Connection test mode (see description above).

---

# envtest Command-Line Syntax

```
/opt/SUNWvts/bin/envtest [standard arguments]
-o dev=raw_device_name,diskleds=E/D,fans=E/D,fpanel=E/D,
psupply=E/D,temp=E/D
```

TABLE 16-3 envtest Command-Line Syntax

Argument	Explanation
<code>dev=raw_device_name</code>	Specifies the name of the raw device to test.
<code>diskleds=enable   disable</code>	Enables or disables the Diskleds test.
<code>fans=enable   disable</code>	Enables or disables the Fans test.
<code>fpanel=enable   disable</code>	Enables or disables the Front Panel test.
<code>psupply=enable   disable</code>	Enables or disables the Power Supply test
<code>temp=enable   disable</code>	Enables or disables the Temperature test.

---

**Note** – 64-bit tests are located in the `sparcv9` subdirectory: `/opt/SUNWvts/bin/sparcv9/testname`. If a test is not present in this directory, then it may only be available as a 32-bit test. For more information refer to “32-Bit and 64-Bit Tests” on page 3.

---

## envtest Error Messages

**TABLE 16-4** envtest Error Messages

Error Message	Probable Cause(s)	Recommended Action
8000 Unable to open driver <i>driver_name: sys error msg</i>	Device name is wrong or driver is not loaded.	Check the device name (if entered) or load driver.
	Device busy.	Kill all other processes accessing driver.
8001 kstat_open failed	No kernel resource available. System software error	Consult <code>/var/adm/messages</code> file for more information.
8002 kstat_lookup failed for <i>envtest structure</i> in <i>kstat module</i>	envtest module not found.	Check revision and reload envctrl driver.
	No kernel resource available. System software error.	Consult <code>/var/adm/messages</code> file for more information.
8003 kstat_read failed <i>envtest structure</i> in <i>kstat module</i>	envtest module not found.	Check revision /reload envctrl driver.
	No kernel resource available. System software error.	Consult the <code>/var/adm/messages</code> file for more information.
8004 Unable to close kstat	No kernel resource available. System software error.	Consult the <code>/var/adm/messages</code> file for more information.
8005 Unable to set mode to DIAG using ioctl.: <i>sys error msg</i>	System software error.	Consult the <code>/var/adm/messages</code> file for more information.
8006 Unable to set disk LEDs: <i>sys error msg</i>	System software error.	Consult the <code>/var/adm/messages</code> file for more information.
8007 Unable to get disk LEDs: <i>sys error msg</i>	System software error.	Consult the <code>/var/adm/messages</code> file for more information.

**TABLE 16-4** envtest Error Messages

<b>Error Message</b>	<b>Probable Cause(s)</b>	<b>Recommended Action</b>
8008 Unable to set <i>fan type</i> fan speed to <i>speed</i> : <i>sys error msg</i>	Fan hardware failure. System software error.	Manually check the fan speed and replace the fan. Consult the <code>/var/adm/messages</code> file for more information.
8009 Unable to get <i>fan type</i> fan speed: <i>sys error msg</i>	System software error.	Consult the <code>/var/adm/messages</code> file for more information.
8010 <i>fan type</i> fan speed: <i>speed</i> out of range	Fan hardware failure. System software error.	Manually check the fan speed and replace the fan. Consult the <code>/var/adm/messages</code> file for more information.
8011 Forced fan fault did not occur for <i>fan type</i> fanbank	Hardware failure. System software error.	Replace the hardware. Consult the <code>/var/adm/messages</code> file for more information.
8012 Forced fan fault did not clear for <i>fan type</i> fanbank	Hardware failure. System over temperature. System software error.	Replace the hardware. Consult the <code>/var/adm/messages</code> file for more information.
8013 Unable to set watchdog timer	Hardware failure. System software error.	Replace the hardware. Consult the <code>/var/adm/messages</code> file for more information.
8014 Unable to set temperature to <i>temperature</i>	System software error.	Consult the <code>/var/adm/messages</code> file for more information.
8015 Power Supply <i>supply</i> has failed: Limit <i>0=PASS/1=FAIL</i> Current Share <i>0=PASS/1=FAIL</i> Temperature <i>temperature</i>	Power supply hardware failure.	Replace the power supply.
8016 Unable to allocate memory using malloc. : <i>sys error msg</i>	System software error.	Consult the <code>/var/adm/messages</code> file for more information.
8017 Unable to set mode to NORMAL using ioctl. : <i>sys error msg</i>	System software error.	Consult the <code>/var/adm/messages</code> file for more information.
8018 Error encountered during call to <i>function</i> <i>name</i>		

**TABLE 16-4** envtest Error Messages

<b>Error Message</b>	<b>Probable Cause(s)</b>	<b>Recommended Action</b>
8019 Unable to set front panel LEDs using ioctl.: <i>sys error msg</i>	System software error.	Consult the /var/adm/messages file for more information.
8020 Unable to reset front panel LEDs to original state	System software error.	Consult the /var/adm/messages file for more information.
8021 Unable to set front panel LEDs to <i>led mask</i>	System software error.	Consult the /var/adm/messages file for more information.
8022 Ambient temperature: <i>temperature</i> Celsius out of range	envctrl hardware error.	
8023 CPU CPU # temperature: <i>temperature</i> Celsius out of range	envctrl hardware error.	
8024 Data Miscompare: ioctl diskled mask = <i>diskled mask</i> kstat diskled mask = <i>diskled mask</i>	envctrl hardware error System software error.	Consult the /var/adm/messages file for more information.
8025 Illegal options passed to envtest <i>option</i>	User error.	Check usage by typing envtest -u.
8026 Unable to retrieve power supply information.	I2C hardware failure. I2C bus wedged.	Replace power supply. Check for other I2C devices that may be corrupting the I2C bus.
8027 Power Supply Over Temperature: PS Slot <i>slot</i> PS Temperature <i>temperature</i> .	Bad power supply.	Replace power supply.



## Environmental Test (`env2test`)

---

`env2test` exercises and validates the I2C bus on the Sun Enterprise 250 systems.

Five subtests in `env2test` test and report the status of the power supply, system temperature, fan speed, disk LEDs, front panel, and keyswitch.

`env2test` is not scalable.

---

**Note** – Do not run `env2test` while the system is under a heavy load or false failures may be reported.

---

---

### `env2test` Options

To reach the dialog box below, right-click on the test name in the System Map and select Test Parameter Options. If you do not see this test in the System Map, you might need to expand the collapsed groups, or your system may not include the device appropriate to this test. Refer to the *SunVTS User's Guide* for more details.

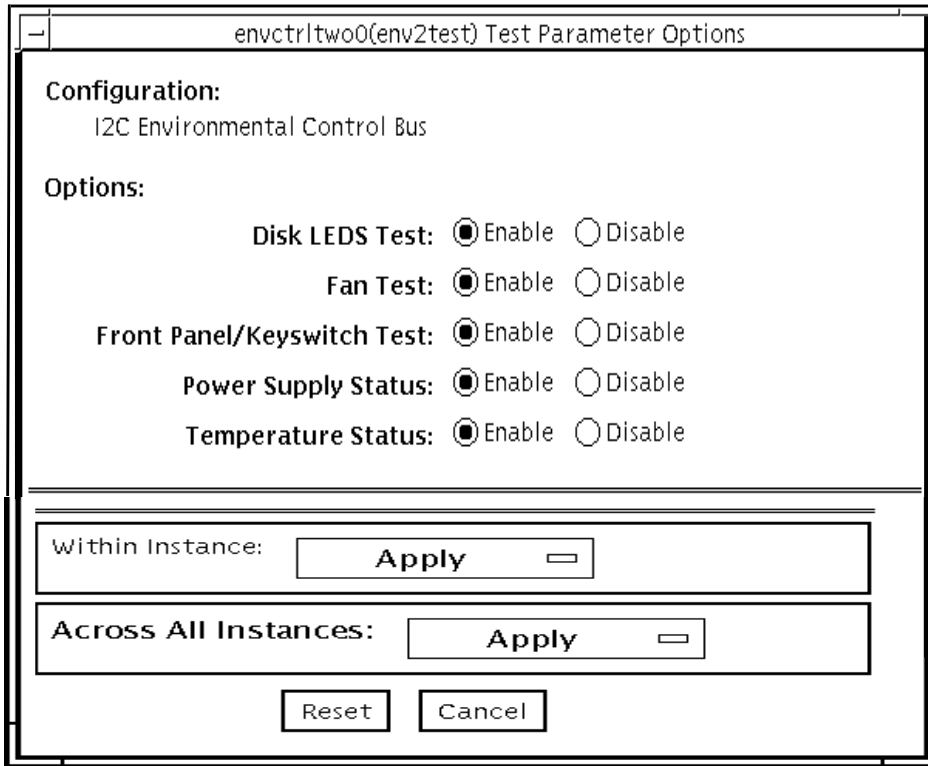


FIGURE 17-1 env2test Test Parameter Options Dialog Box



**TABLE 17-1** env2test Options

env2test Options	Description
Disk LEDs test	Determines the number of disks that are present and the state of each disk. Illuminates each LED on the disk backplane to amber, and then back to its original state. The test then illuminates all disk LEDs to amber, and then back to their original state. This test is only enabled in Functional mode.
Fan test	Sets the fanbank speed to halfway between the current speed and max speed, then verifies the correct speed. Next, the fanbank speed is set to max speed, and the speed is verified. The fanbank speeds are then returned to normal, and then verified. This test is only enabled in Functional mode.
Front Panel and Keyswitch test	Flashes each individual LED on the front panel to ON (green or amber), then OFF, and then back to its original state. The test then illuminates all front panel LEDs then sets them back to their original state. The power on LED is read-only and will not be cycled. The test then displays the current keyswitch position. This test is only enabled in Functional mode.
Power Supply Status	Identifies the number of power supplies that are in the system and the state of each power supply. This test is enabled in all modes.
Temperature Status	Identifies the current temperature of each CPU in the system, the ambient temperatures of the system, the temperature on the SCSI and power distribution boards, and verifies that all temperatures are within normal operating parameters. This test is enabled in all modes.

---

## env2test Test Modes

env2test supports Connection and Functional tests as described in the table below.

TABLE 17-2 env2test Test Modes

Test Mode	Supported?	Description
Connection	Yes	Reports the status of the power supplies and the temperature sensors within the system, and verifies normal operating parameters
Functional (offline)	Yes	Tests the disk back panel, front panel LEDs, and fan control circuitry. Also uses the same functionality as online mode and connection test
Functional (online)	Yes	env2test performs the same functionality as Connection test (see above).

---

## env2test Command-Line Syntax

```
/opt/SUNWvts/bin/env2test [standard arguments]
-o dev=device=name,diskleds=E/D,env_mon=poll_interval,fans=E/D,
fpanel=E/D,psupply=E/D,temp=E/D
```

TABLE 17-3 env2test Command-Line Syntax

Argument	Explanation
dev=raw_device_name	Specifies the name of the raw device to test.
diskleds=enable/disable	Enables or disables diskleds test.
env_mon=poll_interval	Displays all system environmental statics every poll_interval seconds. (Display ONLY, does not test.)
fans=enable/disable	Enables or disables Fan test.
fpanel=enable/disable	Enables or disables Front Panel test.
psupply=enable/disable	Enables or disables Power Supply test.
temp=enable/disable	Enables or disables Temperature test.

---

**Note** – 64-bit tests are located in the `sparcv9` subdirectory: `/opt/SUNWvts/bin/sparcv9/testname`. If a test is not present in this directory, then it may only be available as a 32-bit test. For more information refer to “32-Bit and 64-Bit Tests” on page 3.

---

## env2test Error Messages

**TABLE 17-4** env2test Error Messages

Error Message	Probable Cause(s)	Recommended Action
8000 Unable to open driver <i>driver name: sys error msg</i>	Device name is wrong or driver is not loaded.	Check the device name (if entered) or load driver.
	Device busy.	Kill all other processes accessing driver.
8001 kstat_open failed	No kernel resource available. System software error.	Consult <code>/var/adm/messages</code> file for more information.
8002 kstat_lookup failed for <i>env2test</i> structure in <i>kstat</i> module	<code>env2test</code> module not found.	Check revision and reload <code>envctrl</code> driver.
	No kernel resource available. System software error.	Consult <code>/var/adm/messages</code> file for more information.
8003 kstat_read failed <i>env2test</i> structure in <i>kstat</i> module	<code>env2test</code> module not found.	Check revision /reload <code>envctrl</code> driver.
	No kernel resource available. System software error.	Consult the <code>/var/adm/messages</code> file for more information.
8004 Unable to close kstat	No kernel resource available. System software error.	Consult the <code>/var/adm/messages</code> file for more information.
8005 Unable to set mode to DIAG using <code>ioctl</code> .: <i>sys error msg</i>	System software error.	Consult the <code>/var/adm/messages</code> file for more information.
8006 Unable to set disk LEDs: <i>sys error msg</i>	System software error.	Consult the <code>/var/adm/messages</code> file for more information.
8007 Unable to get disk LEDs: <i>sys error msg</i>	System software error.	Consult the <code>/var/adm/messages</code> file for more information.

**TABLE 17-4** env2test Error Messages

<b>Error Message</b>	<b>Probable Cause(s)</b>	<b>Recommended Action</b>
8008 Unable to set fan speed to <i>speed</i> : <i>sys error msg</i>	Fan hardware failure System software error.	Manually check the fan speed and replace the fan. Consult the /var/adm/messages file for more information.
8009 Unable to get fan speed: <i>sys error msg</i>	System software error.	Consult the /var/adm/messages file for more information.
8010 Fan speed <i>speed</i> out of range: MIN <i>speed</i> MAX <i>speed</i>	Fan hardware failure. System software error.	Manually check the fan speed and replace the fan. Consult the /var/adm/messages file for more information.
8011 Forced fan fault did not occur for <i>fan type</i> fanbank	Hardware failure. System software error.	Replace the hardware. Consult the /var/adm/messages file for more information.
8015 Power Supply <i>supply</i> has failed: State <i>state</i>	Power supply hardware failure.	Replace the power supply.
8016 Unable to allocate memory using malloc. : <i>sys error msg</i>	System software error.	Consult the /var/adm/messages file for more information.
8017 Unable to set mode to NORMAL using ioctl. : <i>sys error msg</i>	System software error.	Consult the /var/adm/messages file for more information.
8018 Error encountered during call to <i>function name</i>		
8019 Unable to set front panel LEDs using ioctl.: <i>sys error msg</i>	System software error.	Consult the /var/adm/messages file for more information.
8020 Unable to reset front panel LEDs to original state	System software error.	Consult the /var/adm/messages file for more information.
8021 Unable to get front panel LEDs.	System software error.	Consult the /var/adm/messages file for more information.
8022 Ambient temperature <i>temperature</i> Celsius out of range	envctrl hardware error.	
8023 CPU CPU # temperature <i>temperature</i> Celsius out of range	envctrl hardware error.	

**TABLE 17-4** env2test Error Messages

Error Message	Probable Cause(s)	Recommended Action
8024 Data Miscompare: ioctl diskled mask = <i>diskled mask</i> kstat diskled mask = <i>diskled mask</i>	Hardware error. System software error.	Consult the /var/adm/messages file for more information.
8025 Illegal options passed to env2test <i>option</i>	User error.	Check usage by typing <b>env2test -u.</b>
8026 Unable to retrieve power supply information.	I2C hardware failure. I2C bus wedged.	Replace power supply. Check for other I2C devices that may be corrupting the I2C bus.
8033 Temperature <i>temperature</i> celsius out of range.	Hardware error.	Check all thermistors.



## Frame Buffer Test (`fbtest`)

---

`fbtest` is a generic test for all dumb frame buffers used with the Solaris 2.x and Solaris 7 software.

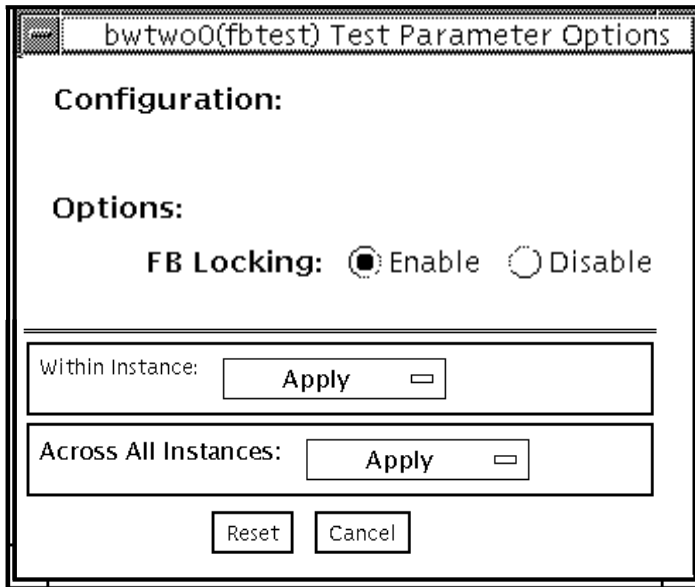
The `fbtest` checks the frame buffer by sequentially writing, reading, and verifying small blocks of random patterns across the entire video RAM. The block size is 64 x 64 pixels. If a miscompare occurs, the test stops with an error message that indicates the location of the error.

If a generic frame buffer device name (`dvc/fb`) is specified, `fbtest` automatically detects the depth of the frame buffer, and adjusts testing to the frame buffer size.

---

### `fbtest` Options

To reach the dialog box below, right-click on the test name in the System Map and select Test Parameter Options. If you do not see this test in the System Map, you might need to expand the collapsed groups, or your system may not include the device appropriate to this test. Refer to the *SunVTS User's Guide* for more details.



**FIGURE 18-1** fbtest Test Parameter Options Dialog Box

---

**Note** – To start SunVTS with `vtmui`, but without `vtsk`, you must add the host name to `xhost` as: `xhost + hostname`.

---



---

# fbtest Command-Line Syntax

`/opt/SUNWvts/bin/fbtest standard_arguments -o dev=device_name  
lock=E(nable)/D(isable)`

TABLE 18-1 fbtest Command-Line Syntax

Argument	Explanation
<code>dev=device_name</code>	Specifies which frame buffer to test.
<code>lock=E(nable)/ D(isable)</code>	Enables or disables the window system locking option. See the section about testing multiple frame buffers in the <i>SunVTS User's Guide</i> for details. Frame buffer locking is enabled by default on the window server running the Open Windows software.

---

**Note** – 64-bit tests are located in the `sparcv9` subdirectory: `/opt/SUNWvts/bin/sparcv9/testname`. If a test is not present in this directory, then it may only be available as a 32-bit. For more information refer to “32-Bit and 64-Bit Tests” on page 3.

---

---

## fbtest Test Modes

Due to the nature of graphic tests, reading from or writing to the frame buffer during graphic tests disturbs user operation.

TABLE 18-2 fbtest Test Modes

Test Mode	Supported?	Description
Connection	No	Not supported
Functional (Offline)	Yes	Runs the full set of tests
Functional (Online)	No	Not supported

# fbtest Error Messages

**TABLE 18-3** fbtest Error Messages

	<b>Error Message</b>	<b>Probable Cause(s)</b>	<b>Recommended Action</b>
6000	Data compare error	FB lock is disabled.	Enable FB lock.
		Bad frame buffer.	If the problem persists, call your authorized Sun service provider.
6001	Video memory error at <i>address</i> , expected: <i>number</i> , observed: <i>number</i>	FB lock is disabled.	Enable FB lock.
		Bad frame buffer.	If the problem persists, call your authorized Sun service provider.
6002	Unable to lock frame buffer	FB lock was enabled while the window system was not running.	
8000	Can't acquire console semaphore	System load is too heavy.	Reduce the system load.
		System error.	If the problem persists, contact your authorized Sun service provider.
8001	Parameter error - Improper test parameters supplied	fbtest can only run in Functional test.	
8002	Device name missing!	Parameter error.	Must provide device name.
8003	Create_Raster() failed for <i>name</i>	Parameter error.	
		No such device.	
8004	Create_Raster() failed for type RAS_CHILD	Operator error.	Check test options and mode, and retry if appropriate.
		Software error.	Contact your authorized Sun service provider.
8005	Malloc failed	System load too heavy.	Reduce the system load.
		System error.	If the problem persists, call your authorized Sun service provider.

## Fast Frame Buffer Test (`ffbttest`)

---

`ffbttest` verifies the functionality of the fast frame buffer (FFB).

`ffbttest` can detect and adapt to the video modes of single- and double-buffer versions of the FFB. All `ffbttest` tests can run in several screen resolutions such as standard, stereo, and high resolution. In stereo mode, all tests write into the right and left eyes unless you specify otherwise. This test also supports FFB, FFB2, and FFB2+ fast frame buffer configurations. Use the `ffbconfig -prconf` command to display the configuration of the frame buffer you want to test.

You can interrupt `ffbttest` using Control-C. Turn off all other keyboard input if OPEN LOOK is running on the unit being tested.

Test accuracy is checked using a checksum algorithm. Possible locations of failing pixels are identified, as well as the likely failing FRU.



---

**Caution** – Do not run any other application or screen saver program that uses the FFB accelerator port while running `ffbttest`. Do not run power management software. These programs causes SunVTS to return incorrect errors.

---

---

**Note** – *Do not* run Open Windows™ across multiple monitors or the test could fail.

---

---

## `ffbttest` Test Requirements

Disable all screen savers before testing any graphics device. Type `xset s off` at a UNIX prompt to disable the Solaris screen saver. Disable power management software if it is running.

fbttest requires approximately 7 Mbytes of disk space in the /tmp directory to extract its working files. If this space is not available, the diagnostic will fail and report warning and error messages, indicating a lack of disk space.

To start SunVTS with vtsui, but without vtsk, you must add the host name to xhost as: `xhost + <hostname>`.

---

## fbttest Options

To reach the dialog box below, right-click on the test name in the System Map and select Test Parameter Options. If you do not see this test in the System Map, you might need to expand the collapsed groups, or your system may not include the device appropriate to this test. Refer to the *SunVTS User's Guide* for more details.

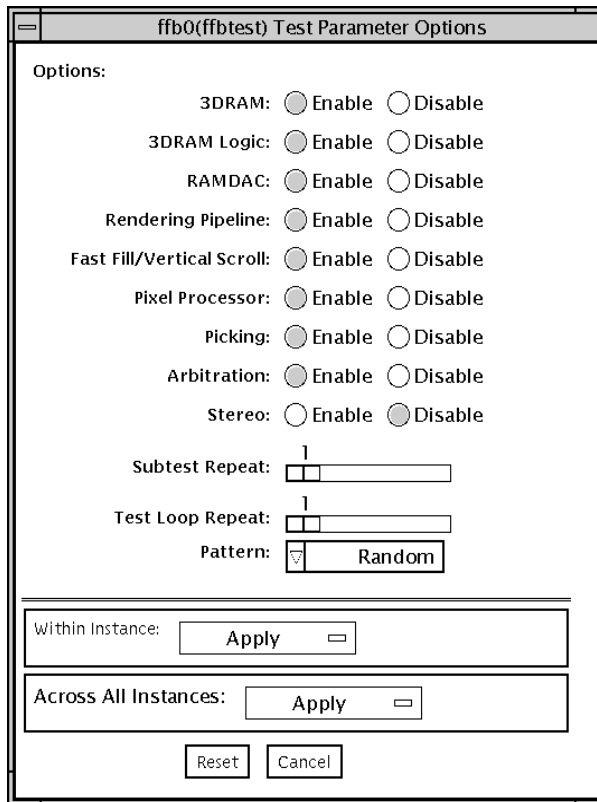


FIGURE 19-1 ffbtest Test Parameter Options Dialog Box

By default, all tests are enabled except the stereo test.

**TABLE 19-1** `fbttest` Options

<code>fbttest</code> Options	Description
3DRAM test	<p>The 3DRAM test thoroughly tests the video memory in the FFB using 512-bit reads and writes. 3DRAM makes a full screen pass, consisting of a write and a read to each pixel location, for each access mode on the list below. You can use either random data or specify data at the command line. A second pass is made with the one's complement of the data used in the first pass so that each memory location is tested with both a zero and a one. Notice that some passes are skipped on the single-buffered FFB.</p> <p>Errors in this subtest are attributes to the 3DRAM. A failing chip is indicated by (x, y) locations and device-specific "U" numbers:</p> <ul style="list-style-type: none"><li>• DFB8R, DFB8G, DFB8B, DFB8X—Buffer A</li><li>• DFB24—Buffer A</li><li>• DFB32—Buffer A</li><li>• SFB8R, SFB8G, SFB8B, SFB8X—Buffer A</li><li>• SFB8R, SFB8G, SFB8B, SFB8X—Buffer B (double buffer only)</li><li>• SFB32—Buffer A</li><li>• SFB32—Buffer B (double buffer only)</li><li>• SFB32—Buffer C (double buffer only)</li><li>• SFB64—Buffers A and C (double buffer only)</li><li>• SFB64—Buffers B and C (double buffer only)</li></ul>

**TABLE 19-1** `fbttest` Options (Continued)

<code>fbttest</code> Options	Description
3DRAM Logic test	<p>3DRAM Logic provides logical functionality to the FFB. The following services are tested:</p> <ul style="list-style-type: none"> <li>• Compare Controls—Match AB</li> <li>• Compare Controls—Magnitude AB</li> <li>• Compare Controls—Match C (double buffer only)</li> <li>• Compare Controls—Magnitude C (double buffer only)</li> <li>• Match Mask—AB</li> <li>• Magnitude Mask—AB</li> <li>• Match Mask—C (double buffer only)</li> <li>• Magnitude Mask—C (double buffer only)</li> <li>• Raster Operations—RGB</li> <li>• Raster Operations—X</li> <li>• Raster Operations—YZ (double buffer only)</li> <li>• Plane Mask—RGB</li> <li>• Plane Mask—X</li> <li>• Plane Mask—Y</li> <li>• Plane Mask—Z</li> <li>• Group Enable—R, G, B, X</li> <li>• Group Enable—Y, Z (double buffer only)</li> </ul>
3DRAM Logic test (Continued)	<p><code>fbttest</code> tests each function separately with a series of SFB64 writes. A total of 16 writes are made for each different test case with Y coordinate values varying from 0 to 30 in increments of 2 pixels. This dotted column organization provides page thrashing and block flashing in all screen resolutions. For each operation, all possible combinations are tested. For example, <code>ROP RGB new==old</code> has three possible values: <code>new &lt; old</code>, <code>new == old</code>, and <code>new &gt; old</code>. <code>fbttest</code> tests each of these cases.</p> <p>Five passes of the functions are made. Each pass writes into a different FFB address space: SFB32-A, SFB32-B, SFB32-C, SFB64-AC, and SFB64-BC. Note that the passes that write into the SFB32 address spaces are writing two pixels at a time because the tests use SFB64 writes.</p> <p>For FFB2+ boards, additional testing is performed on the new stencil and passin capabilities if the board is DBZ.</p> <p>Care is taken to ensure that all 3DRAM chips are tested. Errors in this subtest are attributed to the 3DRAM.</p>

**TABLE 19-1** `ffbttest` Options (Continued)

<code>ffbttest</code> Options	Description
RAMDAC Test	<p>RAMDAC registers are tested using simple read/write patterns to determine if there are any bad bits. This includes all LUTs. <code>ffbttest</code> ensures that data is actually being read from the RAMDAC and not being supplied by the driver.</p> <p>Next, the RAMDAC Signature Register captures the pixels going to the screen. This test determines that all of the different data paths within the RAMDAC are functioning properly.</p> <p>The following modes are tested:</p> <ul style="list-style-type: none"> <li>24-bit true color from A</li> <li>24-bit true linear color from A</li> <li>24-bit direct color from A</li> <li>24-bit true color from B (double buffer only)</li> <li>24-bit true linear color from B</li> <li>24-bit direct color from B (double buffer only)</li> <li>8-bit pseudo color (from each plane in RGB) from A</li> <li>8-bit pseudo color (from each plane in RGB) from B (double buffer only)</li> <li>8-bit non-linear grayscale (from each plane in RGB) from A</li> <li>8-bit non-linear grayscale (from each plane in RGB) from B (double buffer only)</li> <li>8-bit linear grayscale (from each plane in XRGB) from A</li> <li>8-bit linear grayscale (from each plane in XRGB) from B (double buffer only)</li> <li>8-bit overlay pseudo color (from buffer A, X plane)</li> </ul>
RAMDAC test (Continued)	<p>This test displays a total of 11 different types of windows on the screen for the single-buffered configuration; 22 for double-buffered. A cursor is also displayed on the screen.</p> <p>RAMDAC on FFB2+ board supports three modes (SEP8, SEP4, and Combined). This test detects the RAMDAC type and tests the original and additional features like increased number of CLUTs, increased WLUT size, additional overlay WLUT.</p> <p>Errors in this test are attributed to the RAMDAC.</p>

**TABLE 19-1** `ffbttest` Options (Continued)

<code>ffbttest</code> Options	Description
Rendering Pipeline test	<p>Rendering Pipeline uses the rendering pipeline tests developed for the FFB stand-alone diagnostics.</p> <p>Each primitive is tested thoroughly with the following sources and configurations:</p> <ul style="list-style-type: none"><li>• Dots</li><li>• Anti-aliased dots</li><li>• Lines using all four line drawing primitives</li><li>• Triangles</li><li>• Polygons</li><li>• Rectangles</li><li>• Fonts</li></ul> <p>Errors in this test are attributed to the FBC.</p>
Fast Fill/Vertical Scroll test	<p>The Fast Fill/Vertical Scroll primitives are separated from the Rendering Pipeline tests because of their dependence on screen type. There are three different tests, one for each screen type. Each test uses both block and page mode fistfuls.</p> <p>Errors in this test are attributed to the FBC.</p>
Pixel Process test	<p>Pixel Processor, a subtest, exercises the following options selected by the FFB's Pixel Processor Control (PPC) register:</p> <ul style="list-style-type: none"><li>• Auxiliary clipping (additive and subtractive)</li><li>• Depth cueing</li><li>• Alpha blend</li><li>• Viewport clip (2D and 3D)</li><li>• Area pattern (transparent and opaque)</li></ul> <p>Errors in this test are attributed to the FBC.</p>
Picking test	<p>The Picking test exercises the pick detect login of the 3DRAM. <code>ffbttest</code> defines a pick detect window and checks that writes to the window are picked, and writes outside the window are not picked. The test is repeated once for each 3DRAM.</p> <p>Errors in this test are attributed to the 3DRAM.</p>



**TABLE 19-1** `ffbttest` Options (Continued)

<code>ffbttest</code> Options	Description
Arbitration test	<p>The Arbitration subtest continuously renders an object into the accelerator port while performing reads and writes through the direct port. For single-buffered configuration, a picture is rendered into the RGB planes while another process does DFB reads and writes in the X plane. For doubled buffered configuration, a picture is rendered into all 32 planes of the B buffer while the other does 32-bit DFB reads and writes in the A plane. This subtest simulates conditions in the read world, where rendering processes and windows operations run concurrently.</p> <p>Errors in this test are attributed to the FBC.</p>
Stereo Test	<p>The Stereo test displays an object in stereo mode with different images for the right and left eye. The user can verify proper operation by looking at the screen with stereo glasses and following the displayed instructions. If the monitor type is not 1280x1024 at 76MHz, this test prints a warning message and does not run. To prevent this message from being displayed or written to the SunVTS information log, disable the stereo test in the test option menu. Only Sony P4 and N2 monitors support stereo resolutions.</p> <p>This test temporarily switches the monitor into stereo mode, renders a stereo image, performs a signature analysis on the stereo image (using the RAMDAC signature capture register), and after displaying the image for five seconds, restores the monitor to its previous resolution.</p> <p>Errors in this test are attributed to the RAMDAC.</p> <p>Note — If vertical lines are displayed on the console when running SunVTS, this could be caused by the <code>ffbttest</code> stereo test. There is a time-critical period in the FFB hardware when trying to change the screen resolution from standard to stereo and back to standard. When the system is heavily loaded or running all of the SunVTS tests, the FFB device driver may get interrupted while changing screen resolution. If this occurs, FB ASIC and RAMDAC get out of synchronization, resulting in an unusual display on the FFB screen. This problem could also cause a system hang condition. To avoid this type of display problem, disable the <code>ffbttest</code> stereo test when other SunVTS tests are enabled.</p> <p>This test is disabled by default because it is only needed when a stereo monitor and stereo glasses are present.</p>

---

# ffbttest Test Modes

Due to the nature of graphic tests, reading from or writing to the frame buffer during graphic tests will disturb user operation. This test is only available in offline Functional test and Stress mode.

**TABLE 19-2** ffbttest Test Modes

Test Mode	Supported?	Description
Connection	No	Not supported
Functional (offline)	Yes	The ffbttest verifies both the single- (SFB) and double-buffered (DBZ) fast frame buffer boards.
Functional (online)	No	Not supported
Stress mode	Yes	Stress mode exercises the frame buffer as much as possible. The Random test generator, constructed as part of the verification effort, is used. Starting from a known seed, random primitives with random attributes are generated. The primitives are checked to ensure that they were rendered in the same way as on a known good system. The test is repeated ten times, with each random picture overlaying the previous one.

---

Stress is mode is not available on FFB2+ boards.

---

# fbttest Command-Line Syntax

`/opt/SUNWvts/bin/fbttest standard_arguments -o dev=device_name, S=subtest_number,F=#_of_subtest_loops,B=#_of_test_loops,P=test_pattern`

TABLE 19-3 fbttest Command-Line Syntax

Argument	Explanation
<code>dev=device_name</code>	<code>device_name</code> is the relative path name of the device being tested with respect to <code>/dev/fbs</code> ; The default is <code>ffb0</code> .
<code>S=subtest_number</code>	<code>subtest_number</code> is the test number of the subtest to be run. Select from the subtests below. You can run multiple subtests by adding the subtest numbers. For example, <code>n=0x3</code> runs both test 1 and test 2; <code>n=0x180</code> runs both test 0x080 and test 0x100. Note that you do not need the leading zeros.  n - 0x00001 3DRAM n - 0x00002 3DRAM Logic n - 0x00004 RAMDAC n - 0x00008 Rendering Pipeline n - 0x00010 FastFill/Vertical Scroll n - 0x00020 Pixel Processor n - 0x00040 Picking n - 0x00080 Arbitration n - 0x00100 Stereo  More than one test can be selected by ORing subtest numbers. For example: <code>n = 0x00009</code> selects 3DRAM and Rendering Pipeline tests. A hex number must be preceded by <code>0x</code> , decimal numbers are also acceptable.
<code>F=#_of_subtest_loops</code>	Specifies the number of times to repeat each subtest. The default is 1.
<code>B=#_of_test_loops</code>	Specifies the number of times to repeat a test loop before passing. The default is 1.
<code>P=test_pattern</code>	Specifies the test pattern number. The default is <code>r</code> , for random patterns. You may also choose 0 for 0x0000000, 3 for 0x3333333, 5 for 0x5555555, or 9 for 0x9999999.

---

**Note** – 64-bit tests are located in the `sparcv9` subdirectory: `/opt/SUNWvts/bin/sparcv9/testname`. If a test is not present in this directory, then it may only be available as a 32-bit test. For more information refer to “32-Bit and 64-Bit Tests” on page 3.

---

---

## ffbttest Error Messages

Errors returned by `ffbttest` are nonspecific. It is not possible to determine which component caused a failure. In all error conditions, the field replaceable unit (FRU) is the entire FFB.

**TABLE 19-4** `ffbttest` Error Messages

Error Message	Probable Cause(s)	Recommended Action
6000 3DRAM Memory error in <i>string</i> Plane	Faulty 3DRAM, or possibly host memory error during <code>gcopy</code> operation.	If the problem persists, contact your authorized Sun service provider.
6002 3DRAM Memory error in <i>string</i> Plane	Faulty 3DRAM, or possibly host memory error during <code>gcopy</code> operation.	If the problem persists, contact your authorized Sun service provider.
6004 3DRAM Memory error in <i>string</i> Plane	Faulty 3DRAM, or possibly host memory error during <code>gcopy</code> operation.	If the problem persists, contact your authorized Sun service provider.
6006 3DRAM Memory error in Buffer A	Faulty 3DRAM, or possibly host memory error during <code>gcopy</code> operation.	If the problem persists, contact your authorized Sun service provider.
6008 3DRAM Memory error in Buffer B	Faulty 3DRAM, or possibly host memory error during <code>gcopy</code> operation.	If the problem persists, contact your authorized Sun service provider.
6010 3DRAM Memory error in Buffer C	3DRAM Memory error in Buffer C.	If the problem persists, contact your authorized Sun service provider.
6012 Misaligned raster.	Software error.	Reinstall software. If the problem persists, contact your authorized Sun service provider.

**TABLE 19-4** ffbtest Error Messages (Continued)

	<b>Error Message</b>	<b>Probable Cause(s)</b>	<b>Recommended Action</b>
6013	File Not Found. Could not open file <i>string</i> .	Software error	Reinstall software. If the problem persists, contact your authorized Sun service provider.
6014	Could not open file <i>string</i> : <i>string</i> .	Software error.	Reinstall software. If the problem persists, contact your authorized Sun service provider.
6015	Keyword not Found, line <i>data</i>	Software error. Suspect data file corruption.	Reinstall software. If the problem persists, contact your authorized Sun service provider.
6016	<i>string</i> error. Miscompares, starting at <i>string</i> .	Faulty frame buffer.	If the problem persists, contact your authorized Sun service provider.
6017	Picking test error. Got a pick hit with picking disabled.	Faulty frame buffer.	If the problem persists, contact your authorized Sun service provider.
6018	Picking test error. Got a pick hit outside the picking area.	Faulty frame buffer.	If the problem persists, contact your authorized Sun service provider.
6019	Picking test error. Should have detected a pick hit.	Faulty frame buffer.	If the problem persists, contact your authorized Sun service provider.
6020	Out of memory	Software system error.	Contact your system administrator.
6021	<i>string</i> failed	Software error.	Check for existence and/or permissions on <i>string</i> . Also check for available space in tmp. Reinstall software or contact your system administrator.
6022	<i>string</i> failed	Software error.	Check for existence and/or permissions on <i>string</i> .
6023	fork1(2) failed	Software error.	Reinstall software or contact your system administrator.
6024	execl(2) failed	Software error.	Reinstall software or contact your system administrator.

**TABLE 19-4** ffbtest Error Messages (Continued)

Error Message	Probable Cause(s)	Recommended Action
6025 Unable to open <i>string</i> .	Software error.	Check device for existence and/or permissions on <i>string</i> . Reinstall software or contact your system administrator.
6026 ioctl(2) failed trying to read CLUT.	Hardware failure or software driver error.	Reinstall software first, if failure continues, contact your system administrator or your authorized Sun service provider.
6027 ioctl(2) failed trying to turn on FFB video.	Hardware failure or software driver error.	Reinstall software first. If failure continues, contact your system administrator or your authorized Sun service provider.
6028 failed trying to post CLUT.	Hardware failure or software driver error.	Reinstall software first. If failure continues, contact your system administrator or your authorized Sun service provider.
6029 Miscompare found in Red channel of CLUT entry <i>data</i> .	Faulty frame buffer.	If the problem persists, contact your authorized Sun service provider.
6030 Miscompare found in Green channel of CLUT entry <i>data</i>	Faulty frame buffer.	If the problem persists, contact your authorized Sun service provider.
6031 Miscompare found in Blue channel of CLUT entry <i>data</i>	Faulty frame buffer.	If the problem persists, contact your authorized Sun service provider.
6032 ioctl(2) failed trying to read WID LUT.	Hardware failure or software driver error.	Reinstall software first. If failure continues, contact your system administrator or your authorized Sun service provider.
6033 ioctl(2) failed trying to post WID LUT	Hardware failure or software driver error.	Reinstall software first. If failure continues, contact your system administrator or your authorized Sun service provider.

**TABLE 19-4** ffbtest Error Messages (Continued)

	<b>Error Message</b>	<b>Probable Cause(s)</b>	<b>Recommended Action</b>
6034	failed trying to get RAMDAC signature analysis.	Hardware failure or software driver error.	Reinstall software first. If failure continues, contact your system administrator or your authorized Sun service provider.
6035	Miscompare found in WID LUT entry <i>data</i>	Faulty frame buffer	If the problem persists, contact your authorized Sun service provider.
6036	RAMDAC test failed. The on-screen image is incorrect	Faulty frame buffer.	If the problem persists, contact your authorized Sun service provider.
6037	sysinfo(2) failed getting hostname	Software error.	Make sure you are superuser.
6038	can't acquire console semaphore	Software error.	Reinstall software or contact your system administrator.
6039	Cannot gain control of mouse: <i>string</i>	Software error.	Reinstall software or contact your system administrator.
6040	Cannot gain control of keyboard: <i>string</i>	Software error.	Reinstall software or contact your system administrator.
6046	ioctl(2) failed trying to get current video mode.	Possibly hardware failure, likely software driver error.	Reinstall software first. If failure continues, contact your system administrator or your authorized Sun service provider.
6047	ioctl(2) failed trying to set current video mode	Possibly hardware failure, likely software driver error.	Reinstall software first. If failure continues, contact your system administrator or your authorized Sun service provider.
6048	ioctl(2) failed trying to get FFB system info	Possibly hardware failure, likely software driver error.	Reinstall software first. If failure continues, contact your system administrator or your authorized Sun service provider.
6049	ioctl(2) failed trying to go into Diagnostic mode	Possibly hardware failure, likely software driver error.	Reinstall software first. If failure continues, contact your system administrator or your authorized Sun service provider.
6050	mmap(2) failed: <i>string</i>	Software system error.	Reinstall software or contact your system administrator.

**TABLE 19-4** ffbtest Error Messages (Continued)

	Error Message	Probable Cause(s)	Recommended Action
6051	munmap(2) failed: <i>string</i>	Software system error.	Reinstall software or contact your system administrator.
6052	close(2) failed: <i>string</i>	Software system error.	Reinstall software or contact your system administrator.
6053	DGA error grabbing window on screen <i>data</i>	Software error.	Reinstall software or contact your system administrator.
6054	DGA error getting window from token on screen <i>data</i>	Software error.	Reinstall software or contact your system administrator.
6055	failed trying to read Transparent Overlay registers	Possibly hardware failure, likely software driver error.	Reinstall software first. If failure continues, contact your system administrator or your authorized Sun service provider.
6056	ioctl(2) failed trying to post Transparent Overlay registers	Possibly hardware failure, likely software driver error.	Reinstall software first. If failure continues, contact your system administrator or your authorized Sun service provider.
6057	failed trying to post cursor	Possibly hardware failure, likely software driver error.	Reinstall software first. If failure continues, contact your system administrator or your authorized Sun service provider.
6058	ioctl(2) failed trying to read cursor	Possibly hardware failure, likely software driver error.	Reinstall software first. If failure continues, contact your system administrator or your authorized Sun service provider.
6059	No FFB device found on display 0	The environmental variable <i>Display</i> is set wrong or the display being used is not using an FFB.	Set the variable to a display that has the FFB plugged into it.
6060	There is an inconsistency with the version of the X Window System	Software error.	Contact your system administrator.
6061	stat(2) failed trying to get info about Device Under Test	Software error.	Reinstall software or contact your system administrator.
6062	stat(2) failed trying to get info about screen 0: <i>data</i>	Software error.	Reinstall software or contact your system administrator.



**TABLE 19-4** ffbtest Error Messages (Continued)

	<b>Error Message</b>	<b>Probable Cause(s)</b>	<b>Recommended Action</b>
6063	Can not access X Windows	Software error.	Try running <code>xhost(1)</code> or contact your system administrator.
6064	<code>wait(2)</code> failed: <i>string</i>	Software error.	Reinstall software or contact your system administrator.
6065	<code>signal(2)</code> failed: <i>string</i>	Software error.	Reinstall software or contact your system administrator.
6066	<code>thr_kill(2)</code> failed	Software error.	Reinstall software or contact your system administrator.
6067	<code>thr_join(2)</code> failed: <i>string</i>	Software error.	Reinstall software or contact your system administrator.
6071	<code>get signatures</code>	Operator error.	To get signatures, run <code>ffbtest</code> from the command line.
6072	Stereo image incorrect	Stereo image incorrect.	If the problem persists, contact your authorized Sun service provider.
6075	System LWP limit exceeded	Software error.	Reinstall software or contact your system administrator.
6076	Error <i>data</i> creating thread	Software error.	Reinstall software or contact your system administrator.
6104	Error in getting the length of the file. <i>string</i>	Software error.	If the problem persists, contact your authorized Sun service provider.
6105	Stencil test failed <i>string</i>	Faulty 3DRAM.	If the problem persists, contact your authorized Sun service provider.
6106	Passin test failed <i>string</i>	Faulty 3DRAM.	If the problem persists, contact your authorized Sun service provider.
6107	Blend2 test failed <i>string</i>	Faulty 3DRAM.	If the problem persists, contact your authorized Sun service provider.
6115	3DRAM Memory error testing <i>string</i>	Faulty 3DRAM, or possibly GCopy error.	If the problem persists, contact your authorized Sun service provider.
6116	<i>string</i> error: 3DRAM Memory error testing <i>string</i>	Faulty 3DRAM, or possibly GCopy FFB to Memory error.	If the problem persists, contact your authorized Sun service provider.

**TABLE 19-4** ffbtest Error Messages (Continued)

Error Message	Probable Cause(s)	Recommended Action
6117 <i>string</i> error: 3DRAM Memory error testing <i>string</i>	Faulty 3DRAM, or possibly GCopy Memory to FFB error.	If the problem persists, contact your authorized Sun service provider.
6208 ioctl(2) failed trying to post Overlay WID LUT.	Possibly hardware failure, likely software driver error.	Reinstall software first. If failure continues, contact your system administrator or your authorized Sun service provider.
6209 ioctl(2) failed trying to post Primary WID LUT	Possibly hardware failure, likely software driver error.	Reinstall software first. If failure continues, contact your system administrator or your authorized Sun service provider.
6210 Mismatch found in Overlay WID LUT entry <i>data</i>	Faulty frame buffer.	If the problem persists, contact your authorized Sun service provider.
6211 Mismatch found in Primary WID LUT entry <i>data</i>	Faulty frame buffer.	If the problem persists, contact your authorized Sun service provider.
6212 ioctl(2) failed trying to read CLUT # <i>data</i>	Possibly hardware failure, likely software driver error.	Reinstall software first. If failure continues, contact your system administrator or your authorized Sun service provider.
6213 ioctl(2) failed trying to post CLUT # <i>data</i>	Possibly hardware failure, likely software driver error.	Reinstall software first. If failure continues, contact your system administrator or your authorized Sun service provider.
6214 Mismatch found in Red channel of CLUT # <i>data</i> in entry <i>data</i>	Faulty frame buffer.	If the problem persists, contact your authorized Sun service provider.
6215 Mismatch found in Green channel of CLUT # <i>data</i> in entry <i>data</i>	Faulty frame buffer.	If the problem persists, contact your authorized Sun service provider.
6216 Mismatch found in Blue channel of CLUT # <i>data</i> in entry <i>data</i>	Faulty frame buffer.	If the problem persists, contact your authorized Sun service provider.
6217 RAMDAC test failed. The on-screen image in sep 4 mode is incorrect.	Faulty frame buffer.	If the problem persists, contact your authorized Sun service provider.

**TABLE 19-4** ffbtest Error Messages (Continued)

	<b>Error Message</b>	<b>Probable Cause(s)</b>	<b>Recommended Action</b>
6218	RAMDAC test failed. The on-screen image in sep 8 mode is incorrect.	Faulty frame buffer.	If the problem persists, contact your authorized Sun service provider.
6219	RAMDAC test failed. The on-screen image in combined mode is incorrect.	Faulty frame buffer.	If the problem persists, contact your authorized Sun service provider.
6220	ioctl(2) failed trying to read Overlay WID LUT	Possibly hardware failure, likely software driver error.	Reinstall software first. If failure continues, contact your system administrator or your authorized Sun service provider.
6221	ioctl(2) failed trying to read Primary WID LUT	Possibly hardware failure, likely software driver error.	Reinstall software first. If failure continues, contact your system administrator or your authorized Sun service provider.



# Floating Point Unit Test (`fputest`)

---

`fputest` checks the floating point unit on machines with SPARC-based architecture. `fputest` performs the following subtests.

---

## `fputest` Subtests

Instruction tests:

- FSR Register test
- Registers test
- NACK test
- Move Registers test
- Positive to Negative test
- Negative to Positive test
- Absolute test
- Single-Precision Integer to Floating Point test
- Double-Precision Integer to Floating Point test
- Single-Precision Floating Point to Integer test
- Double-Precision Floating Point to Integer test
- Single-Precision Round Toward Zero test
- Double-Precision Round Toward Zero test
- Single to Double-Precision Format Conversion test
- Double to Single-Precision Format Conversion test
- Single and Double-Precision Addition, Subtraction, Multiplication, Square-root, Division, and Compare tests
- Single and Double-Precision Compare and Exception if Unordered tests
- Branching and no Branching on Condition Instructions tests
- Single and Double-Precision Chaining tests

- Weitek Status tests
- Lock test
- Single and Double-Precision Datapath tests
- Timing (load) test

Benchmark tests:

- Linpack test
- Cparanoia test
- Kcsqrt test
- Kcdiv test
- Clorenz test
- Cvector test

---

## fpctest Options

To reach the dialog box below, right-click on the test name in the System Map and select Test Parameter Options. If you do not see this test in the System Map, you might need to expand the collapsed groups, or your system may not include the device appropriate to this test. Refer to the *SunVTS User's Guide* for more details.

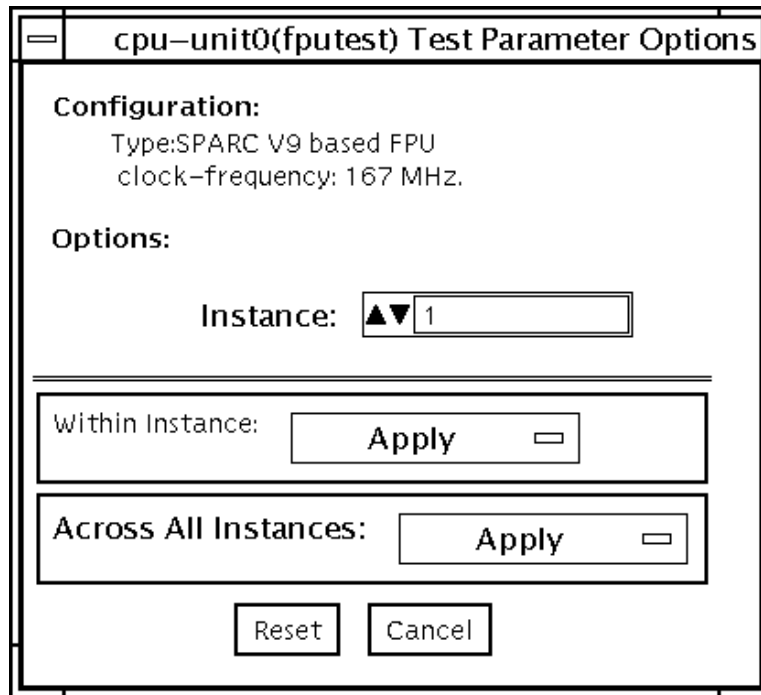


FIGURE 20-1 `fputest` Test Parameter Options Dialog Box

---

# fputest Test Modes

**TABLE 20-1** fputest Test Modes

Test Mode	Supported?	Description
Connection	Yes	In this mode, <code>fputest</code> includes all the instruction tests.
Functional (offline)	Yes	Runs all the instruction tests and all the benchmark tests.
Functional (online)	Yes	<code>fputest</code> runs <code>linpack</code> test and all the instruction tests.
Stress mode	Yes	This mode runs several <code>fpu</code> benchmark tests.

---

# fputest Command-Line Syntax

`/opt/SUNWvts/bin/fputest` *standard\_arguments*

---

**Note** – 64-bit tests are located in the `sparcv9` subdirectory: `/opt/SUNWvts/bin/sparcv9/testname`. If a test is not present in this directory, then it may only be available as a 32-bit test. For more information refer to “32-Bit and 64-Bit Tests” on page 3.

---



# fputest Error Messages

**TABLE 20-2** fputest Error Messages

	<b>Error Message</b>	<b>Probable Cause(s)</b>	<b>Recommended Action</b>
6012	Precision worse than 5 decimal figures	Faulty CPU module.	Retry test. If the problem persists, contact your authorized Sun service provider.
6013	Radix is too big: roundoff problems	Faulty CPU module.	Retry test. If the problem persists, contact your authorized Sun service provider.
6014	Radix is not as good as 2 or 10	Faulty CPU module.	Retry test. If the problem persists, contact your authorized Sun service provider.
6015	$(1-U1)-1/2 < 1/2$ is FALSE, prog. fails?	Faulty CPU module.	Retry test. If the problem persists, contact your authorized Sun service provider.
6016	$X=1$ but $X-1/2-1/2 \neq 0$	Faulty CPU module.	Retry test. If the problem persists, contact your authorized Sun service provider.
6017	Subtraction is not normalized $X=Y, X+Z \neq Y+Z!$	Faulty CPU module.	Retry test. If the problem persists, contact your authorized Sun service provider.
6018	Multiplication lacks a Guard Digit, so $1*X \neq X$	Faulty CPU module.	Retry test. If the problem persists, contact your authorized Sun service provider.
6019	Multiplication gets too many final digits wrong	Faulty CPU module.	Retry test. If the problem persists, contact your authorized Sun service provider.
6020	Division lacks a Guard Digit	Faulty CPU module.	Retry test. If the problem persists, contact your authorized Sun service provider.
6021	Division lacks a Guard Digit, so $X/1 \neq X$	Faulty CPU module.	Retry test. If the problem persists, contact your authorized Sun service provider.
6022	Computed value of $1/1.000.1 \geq 1$	Faulty CPU module.	Retry test. If the problem persists, contact your authorized Sun service provider.

**TABLE 20-2** fputest Error Messages (Continued)

	<b>Error Message</b>	<b>Probable Cause(s)</b>	<b>Recommended Action</b>
6023	Multiplication and/or Division gets too many last digits wrong	Faulty CPU module.	Retry test. If the problem persists, contact your authorized Sun service provider.
6024	Subtraction lacks Guard Digit, so cancellation is obscured	Faulty CPU module.	Retry test. If the problem persists, contact your authorized Sun service provider.
6025	$X * (1/X)$ differs from 1	Faulty CPU module.	Retry test. If the problem persists, contact your authorized Sun service provider.
6026	$\text{Radix} * (1 / \text{Radix})$ differs from 1	Faulty CPU module.	Retry test. If the problem persists, contact your authorized Sun service provider.
6027	Incomplete carry-propagation in Addition	Faulty CPU module.	Retry test. If the problem persists, contact your authorized Sun service provider.
6028	Square root of 0.0, -0.0 or 1.0 wrong	Faulty CPU module.	Retry test. If the problem persists, contact your authorized Sun service provider.
6029	sqrt gets too many last digits wrong	Faulty CPU module.	Retry test. If the problem persists, contact your authorized Sun service provider.
6030	Square root is neither chopped nor correctly rounded	Faulty CPU module.	Retry test. If the problem persists, contact your authorized Sun service provider.
6031	PseudoZero prints out as: <i>value</i>	Faulty CPU module.	Retry test. If the problem persists, contact your authorized Sun service provider.
6032	PseudoZero prints out as: <i>value</i>	Faulty CPU module.	Retry test. If the problem persists, contact your authorized Sun service provider.
6033	Underflow prints out as: <i>value</i>	Faulty CPU module.	Retry test. If the problem persists, contact your authorized Sun service provider.
6034	Accuracy deteriorates as numbers approach a threshold = <i>value</i>	Faulty CPU module.	Retry test. If the problem persists, contact your authorized Sun service provider.
6035	Underflow confuses Comparison	Faulty CPU module.	Retry test. If the problem persists, contact your authorized Sun service provider.

**TABLE 20-2** `fputest` Error Messages (Continued)

	<b>Error Message</b>	<b>Probable Cause(s)</b>	<b>Recommended Action</b>
6036	<code>X = value</code> is not equal to <code>Z = value</code> yet <code>X - Z</code> yields <code>value</code>	Faulty CPU module.	Retry test. If the problem persists, contact your authorized Sun service provider.
6037	<code>X = value</code> is not equal to <code>Z = value</code> yet <code>X - Z</code> yields <code>value</code>	Faulty CPU module.	Retry test. If the problem persists, contact your authorized Sun service provider.
6038	Calculation yields: <code>value</code> :This is not between 0 and underflow threshold = <code>value</code>	Faulty CPU module.	Retry test. If the problem persists, contact your authorized Sun service provider.
6039	Calculation yields: <code>value</code> :This is not between 0 and underflow threshold = <code>value</code>	Faulty CPU module.	Retry test. If the problem persists, contact your authorized Sun service provider.
6040	Calculated <code>value</code> for <code>(1 + (value) ^ (value))</code> ; differs from correct value by <code>value</code>	Faulty CPU module.	Retry test. If the problem persists, contact your authorized Sun service provider.
6041	Calculated <code>value</code> for <code>(1 + (value) ^ (value))</code> ; differs from correct value by <code>value</code>	Faulty CPU module.	Retry test. If the problem persists, contact your authorized Sun service provider.
6042	Overflow(` <code>Z = -Y</code> ') test on <code>Y = value</code> finds that <code>-(-Y)</code> differs from <code>Y</code>	Faulty CPU module.	Retry test. If the problem persists, contact your authorized Sun service provider.
6043	Overflow(` <code>Z = -Y</code> ') test on <code>Y = value</code> finds that <code>-(-Y)</code> differs from <code>Y</code>	Faulty CPU module.	Retry test. If the problem persists, contact your authorized Sun service provider.
6044	Overflow past <code>value</code> shrinks to <code>value</code>	Faulty CPU module.	Retry test. If the problem persists, contact your authorized Sun service provider.
6045	Overflow past <code>value</code> shrinks to <code>value</code>	Faulty CPU module.	Retry test. If the problem persists, contact your authorized Sun service provider.
6046	Comparisons involving <code>+-value</code> , <code>+-value</code> and <code>+-value</code> are confused by Overflow	Faulty CPU module.	Retry test. If the problem persists, contact your authorized Sun service provider.
6047	Comparisons involving <code>+-value</code> , <code>+-value</code> and <code>+-value</code> are confused by Overflow	Faulty CPU module.	Retry test. If the problem persists, contact your authorized Sun service provider.
6048	A total of <code>value</code> floating point exceptions were registered	Faulty CPU module.	Retry test. If the problem persists, contact your authorized Sun service provider.

**TABLE 20-2** fputest Error Messages (Continued)

	<b>Error Message</b>	<b>Probable Cause(s)</b>	<b>Recommended Action</b>
6049	( <i>value</i> ) ^ ( <i>value</i> ) yielded <i>value</i> ; which compared unequal to correct <i>value</i> ; they differ by <i>value</i>	Faulty CPU module.	Retry test. If the problem persists, contact your authorized Sun service provider.
6050	( <i>value</i> ) ^ ( <i>value</i> ) yielded <i>value</i> ; which compared unequal to correct <i>value</i> ; they differ by <i>value</i>	Faulty CPU module.	Retry test. If the problem persists, contact your authorized Sun service provider.
6051	What prints as Z = <i>value</i> compares different from Z * 1 = <i>value</i>	Faulty CPU module.	Retry test. If the problem persists, contact your authorized Sun service provider.
6052	What prints as Z = <i>value</i> compares different from 1 * Z == <i>value</i>	Faulty CPU module.	Retry test. If the problem persists, contact your authorized Sun service provider.
6053	What prints as Z = <i>value</i> compares different from Z / 1 = <i>value</i>	Faulty CPU module.	Retry test. If the problem persists, contact your authorized Sun service provider.
6054	What prints as Z = <i>value</i> compares different from Z * 1 = <i>value</i>	Faulty CPU module.	Retry test. If the problem persists, contact your authorized Sun service provider.
6055	What prints as Z = <i>value</i> compares different from 1 * Z == <i>value</i>	Faulty CPU module.	Retry test. If the problem persists, contact your authorized Sun service provider.
6056	What prints as Z = <i>value</i> compares different from Z / 1 = <i>value</i>	Faulty CPU module.	Retry test. If the problem persists, contact your authorized Sun service provider.
6057	Multiplication does not commute:Comparison alleges that 1 * Z = <i>value</i> differs from Z * 1 = <i>value</i>	Faulty CPU module.	Retry test. If the problem persists, contact your authorized Sun service provider.
6058	Multiplication does not commute:Comparison alleges that 1 * Z = <i>value</i> differs from Z * 1 = <i>value</i>	Faulty CPU module.	Retry test. If the problem persists, contact your authorized Sun service provider.
6059	<i>subtest_name</i> test appears to be inconsistent.	Faulty CPU module.	Retry test. If the problem persists, contact your authorized Sun service provider.
6060	Comparison alleges that - 0.0 is Non-zero!	Faulty CPU module.	Retry test. If the problem persists, contact your authorized Sun service provider.

**TABLE 20-2** `fpptest` Error Messages (Continued)

	<b>Error Message</b>	<b>Probable Cause(s)</b>	<b>Recommended Action</b>
6061	Disagreements among the values X1, Y1, Z1 respectively <i>value, value, value</i>	Faulty CPU module.	Retry test. If the problem persists, contact your authorized Sun service provider.
6062	Disagreements among the values X1, Y1, Z1 respectively <i>value, value, value</i>	Faulty CPU module.	Retry test. If the problem persists, contact your authorized Sun service provider.
6063	Comparison alleges $(1-U1) < 1$ although subtraction yields $(1-U1) - 1 = 0$	Faulty CPU module.	Retry test. If the problem persists, contact your authorized Sun service provider.
6064	Multiplication appears to chop	Faulty CPU module.	Retry test. If the problem persists, contact your authorized Sun service provider.
6065	Multiplication is neither chopped nor correctly rounded	Faulty CPU module.	Retry test. If the problem persists, contact your authorized Sun service provider.
6066	Division appears to chop	Faulty CPU module.	Retry test. If the problem persists, contact your authorized Sun service provider.
6067	Division is neither chopped nor correctly rounded	Faulty CPU module.	Retry test. If the problem persists, contact your authorized Sun service provider.
6068	Addition/Subtraction appears to be chopped	Faulty CPU module.	Retry test. If the problem persists, contact your authorized Sun service provider.
6069	Addition/Subtraction neither rounds nor chops	Faulty CPU module.	Retry test. If the problem persists, contact your authorized Sun service provider.
6070	$(X - Y) + (Y - X)$ is non zero	Faulty CPU module.	Retry test. If the problem persists, contact your authorized Sun service provider.
6071	Sticky bit used incorrectly or not at all	Faulty CPU module.	Retry test. If the problem persists, contact your authorized Sun service provider.
6072	$X * Y == Y * X$ trial fails	Faulty CPU module.	Retry test. If the problem persists, contact your authorized Sun service provider.
6073	$\text{Sqrt}(X)$ is non-monotonic for X near <i>value</i>	Faulty CPU module.	Retry test. If the problem persists, contact your authorized Sun service provider.

**TABLE 20-2** fputest Error Messages (Continued)

	<b>Error Message</b>	<b>Probable Cause(s)</b>	<b>Recommended Action</b>
6074	Sqrt(X) is non-monotonic for X near <i>value</i>	Faulty CPU module.	Retry test. If the problem persists, contact your authorized Sun service provider.
6075	Anomalous arithmetic with Integer Radix-Precision = <i>value</i> fails test whether sqrt rounds or chops	Faulty CPU module.	Retry test. If the problem persists, contact your authorized Sun service provider.
6076	Anomalous arithmetic with Integer Radix-Precision = <i>value</i> fails test whether sqrt rounds or chops	Faulty CPU module.	Retry test. If the problem persists, contact your authorized Sun service provider.
6077	Square root appears to be chopped	Faulty CPU module.	Retry test. If the problem persists, contact your authorized Sun service provider.
6078	Comparison alleges that Z = <i>value</i> is too far from sqrt(Z) ^ 2 ( <i>value</i> )	Faulty CPU module.	Retry test. If the problem persists, contact your authorized Sun service provider.
6079	Comparison alleges that Z = <i>value</i> is too far from sqrt(Z) ^ 2 ( <i>value</i> )	Faulty CPU module.	Retry test. If the problem persists, contact your authorized Sun service provider.
6080	Unbalanced range; UfThold * V = <i>value</i> is too far from 1	Faulty CPU module.	Retry test. If the problem persists, contact your authorized Sun service provider.
6081	Unbalanced range; UfThold * V = <i>value</i> is too far from 1	Faulty CPU module.	Retry test. If the problem persists, contact your authorized Sun service provider.
6082	Sqrt( <i>value</i> ) - <i>value</i> = <i>value</i> instead of correct value 0	Faulty CPU module.	Retry test. If the problem persists, contact your authorized Sun service provider.
6083	Sqrt( <i>value</i> ) - <i>value</i> = <i>value</i> instead of correct value 0	Faulty CPU module.	Retry test. If the problem persists, contact your authorized Sun service provider.
6084	Similar discrepancies have occurred <i>value</i> times	Faulty CPU module.	Retry test. If the problem persists, contact your authorized Sun service provider.
6085	X / X traps when X = <i>value</i>	Faulty CPU module.	Retry test. If the problem persists, contact your authorized Sun service provider.
6086	X / X traps when X = <i>value</i>	Faulty CPU module.	Retry test. If the problem persists, contact your authorized Sun service provider.

**TABLE 20-2** fputest Error Messages (Continued)

	<b>Error Message</b>	<b>Probable Cause(s)</b>	<b>Recommended Action</b>
6087	X / X differs from 1 when X = <i>value</i> instead, X / X - 1/2 - 1/2 = <i>value</i>	Faulty CPU module.	Retry test. If the problem persists, contact your authorized Sun service provider.
6088	X / X differs from 1 when X = <i>value</i> instead, X / X - 1/2 - 1/2 = <i>value</i>	Faulty CPU module.	Retry test. If the problem persists, contact your authorized Sun service provider.
6089	Computed: <i>character</i> Expected: <i>character</i>	Faulty CPU module.	Retry test. If the problem persists, contact your authorized Sun service provider.
6090	Failed Vector test	Faulty CPU module.	Retry test. If the problem persists, contact your authorized Sun service provider.
6091	Error: Invalid operator ( <i>character</i> )	Faulty CPU module.	Retry test. If the problem persists, contact your authorized Sun service provider.
6092	Error: Invalid version ( <i>character</i> )	Faulty CPU module.	Retry test. If the problem persists, contact your authorized Sun service provider.
6093	Error: Invalid precision ( <i>character</i> )	Faulty CPU module.	Retry test. If the problem persists, contact your authorized Sun service provider.
6094	Error: Illegal input ( <i>character</i> )	Faulty CPU module.	Retry test. If the problem persists, contact your authorized Sun service provider.
6095	Failed Vector <i>subtest_name</i> sub-test[ <i>text</i> ], Operand 1 <i>text value value</i> , Operand 2 <i>text value value</i> , <i>charactercharactercharacter</i> Correct <i>text value value (text)</i> , Computed <i>text value value (text)</i>	Faulty CPU module.	Retry test. If the problem persists, contact your authorized Sun service provider.
6096	Failed Vector <i>subtest_name</i> sub-test[ <i>text</i> ], Operand 1 <i>text value value</i> , Operand 2 <i>text value value value</i> , <i>charactercharactercharacter</i> Correct <i>text value value value (text)</i> , Computed <i>text value value value (text)</i>	Faulty CPU module.	Retry test. If the problem persists, contact your authorized Sun service provider.

**TABLE 20-2** fputest Error Messages (Continued)

	<b>Error Message</b>	<b>Probable Cause(s)</b>	<b>Recommended Action</b>
6097	Failed Vector <i>subtest_name</i> sub-test[ <i>text</i> ], Operand 1 <i>text value value value</i> <i>value</i> , Operand 2 <i>text value value value</i> <i>value</i> , <i>charactercharactercharacter</i> Correct <i>textvaluevaluevaluevalue (text)</i> , Computed <i>text value value value</i> <i>value (text)</i>	Faulty CPU module.	Retry test. If the problem persists, contact your authorized Sun service provider.
6098	Failed Vector <i>subtest_name</i> sub-test[ <i>text</i> ] Operand 1 <i>text value value</i> Operand 2 <i>text value value value</i> <i>charactercharactercharacter</i> Correct <i>text value value value (text)</i> Computed <i>text value value value</i> <i>(text)</i>	Faulty CPU module.	Retry test. If the problem persists, contact your authorized Sun service provider.
6099	<i>charactercharactercharacter value</i> <i>(text) character value (text)</i> <computed <i>character</i> >	Faulty CPU module.	Retry test. If the problem persists, contact your authorized Sun service provider.
6100	<i>charactercharactercharacter Op1</i> <i>(text) character Op2 (text)</i> <computed <i>character</i> >	Faulty CPU module.	Retry test. If the problem persists, contact your authorized Sun service provider.
6101	Flags: Correct ( <i>text</i> ) Computed ( <i>text</i> )	Faulty CPU module.	Retry test. If the problem persists, contact your authorized Sun service provider.
6102	FPU initialization failure	Faulty CPU module.	Retry test. If the problem persists, contact your authorized Sun service provider.
6103	Multiplication failed, result was ( <i>value</i> ), expected ( <i>value</i> )	Faulty CPU module.	Retry test. If the problem persists, contact your authorized Sun service provider.
6104	Failed Single-Precision FPA math test	Faulty CPU module.	Retry test. If the problem persists, contact your authorized Sun service provider.
6105	Failed Double-Precision FPA math test	Faulty CPU module.	Retry test. If the problem persists, contact your authorized Sun service provider.
6106	Failed linpack test	Faulty CPU module.	Retry test. If the problem persists, contact your authorized Sun service provider.



**TABLE 20-2** `fpptest` Error Messages (Continued)

	<b>Error Message</b>	<b>Probable Cause(s)</b>	<b>Recommended Action</b>
6107	Failed <code>cparanoia</code> test	Faulty CPU module.	Retry test. If the problem persists, contact your authorized Sun service provider.
6109	Failed <code>clorenz</code> test	Faulty CPU module.	Retry test. If the problem persists, contact your authorized Sun service provider.
6110	Failed <code>kcsqrt</code> test	Faulty CPU module.	Retry test. If the problem persists, contact your authorized Sun service provider.
6111	Failed <code>kcdiv</code> test	Faulty CPU module.	Retry test. If the problem persists, contact your authorized Sun service provider.
6112	Error: <code>a + b</code> , Expected: 2.2221000 Actual: <i>value</i>	Faulty CPU module.	Retry test. If the problem persists, contact your authorized Sun service provider.
6113	Error <code>a - b</code> , Expected: 0.2469000 Actual: <i>value</i>	Faulty CPU module.	Retry test. If the problem persists, contact your authorized Sun service provider.
6114	Error <code>a * b</code> , Expected: 1.2191922 Actual: <i>value</i>	Faulty CPU module.	Retry test. If the problem persists, contact your authorized Sun service provider.
6115	Error <code>a / b</code> , Expected: 1.2500000 Actual: <i>value</i>	Faulty CPU module.	Retry test. If the problem persists, contact your authorized Sun service provider.
6116	Error: <code>a + (a + b)</code> , Expected: 1.4814000 Actual: <i>value</i>	Faulty CPU module.	Retry test. If the problem persists, contact your authorized Sun service provider.
6117	Error: <code>a - (a + b)</code> , Expected: -0.9876000 Actual: <i>value</i>	Faulty CPU module.	Retry test. If the problem persists, contact your authorized Sun service provider.
6118	Error: <code>a + (a * b)</code> , Expected: 2.4536924 Actual: <i>value</i>	Faulty CPU module.	Retry test. If the problem persists, contact your authorized Sun service provider.
6119	Error: <code>a - (a * b)</code> , Expected: 0.0153078 Actual: <i>value</i>	Faulty CPU module.	Retry test. If the problem persists, contact your authorized Sun service provider.
6120	<code>a + (a / b)</code> , Expected: 2.4845002 Actual: <i>value</i>	Faulty CPU module.	Retry test. If the problem persists, contact your authorized Sun service provider.

**TABLE 20-2** fputest Error Messages (Continued)

	<b>Error Message</b>	<b>Probable Cause(s)</b>	<b>Recommended Action</b>
6121	Error: $a - (a / b)$ , Expected: -0.0155000 Actual: <i>value</i>	Faulty CPU module.	Retry test. If the problem persists, contact your authorized Sun service provider.
6122	Error: $a * (a + b)$ , Expected: 2.7431825 Actual: <i>value</i>	Faulty CPU module.	Retry test. If the problem persists, contact your authorized Sun service provider.
6123	Error: $a * (a - b)$ , Expected: 0.3047980 Actual: <i>value</i>	Faulty CPU module.	Retry test. If the problem persists, contact your authorized Sun service provider.
6124	Error: $a / (a - b)$ , Expected: 0.5555550 Actual: <i>value</i>	Faulty CPU module.	Retry test. If the problem persists, contact your authorized Sun service provider.
6125	Error: $a / (a - b)$ , Expected: 5.0000000 Actual: <i>value</i>	Faulty CPU module.	Retry test. If the problem persists, contact your authorized Sun service provider.
6126	Error: $a * (a / b)$ , Expected: 1.5431250 Actual: <i>value</i> )	Faulty CPU module.	Retry test. If the problem persists, contact your authorized Sun service provider.
6127	Error: $a / (a * b)$ , Expected: 1.0125557 Actual: <i>value</i> )	Faulty CPU module.	Retry test. If the problem persists, contact your authorized Sun service provider.
6128	Error: $a + b$ , Expected: 2.2221000000000000 Actual: <i>value</i>	Faulty CPU module.	Retry test. If the problem persists, contact your authorized Sun service provider.
6129	Error: $a - b$ , Expected: 0.2468999999999999 Actual: <i>value</i>	Faulty CPU module.	Retry test. If the problem persists, contact your authorized Sun service provider.
6130	Error: $a * b$ , Expected: 1.2191921999999999 Actual: <i>value</i>	Faulty CPU module.	Retry test. If the problem persists, contact your authorized Sun service provider.
6131	Error: $a / b$ , Expected: 1.2499999999999999 Actual: <i>value</i>	Faulty CPU module.	Retry test. If the problem persists, contact your authorized Sun service provider.
6132	Error: $a + (a - b)$ , Expected: 1.4813999999999999 Actual: <i>value</i>	Faulty CPU module.	Retry test. If the problem persists, contact your authorized Sun service provider.
6133	Error: $a - (a + b)$ , Expected: - 0.9876000000000000 Actual: <i>value</i>	Faulty CPU module.	Retry test. If the problem persists, contact your authorized Sun service provider.

**TABLE 20-2** `fputest` Error Messages (Continued)

	<b>Error Message</b>	<b>Probable Cause(s)</b>	<b>Recommended Action</b>
6134	Error: $a + (a * b)$ , Expected: 2.453692200000000 Actual: <i>value</i>	Faulty CPU module.	Retry test. If the problem persists, contact your authorized Sun service provider.
6135	Error: $a - (a * b)$ , Expected: 0.0153078000000000 Actual: <i>value</i>	Faulty CPU module.	Retry test. If the problem persists, contact your authorized Sun service provider.
6136	Error: $a + (a / b)$ , Expected: 2.4845000000000000 Actual: <i>value</i>	Faulty CPU module.	Retry test. If the problem persists, contact your authorized Sun service provider.
6137	Error: $a - (a / b)$ , Expected: - 0.0154999999999999 Actual: <i>value</i>	Faulty CPU module.	Retry test. If the problem persists, contact your authorized Sun service provider.
6138	Error: $a * (a + b)$ , Expected: 2.7431824499999999 Actual: <i>value</i>	Faulty CPU module.	Retry test. If the problem persists, contact your authorized Sun service provider.
6139	Error: $a * (a - b)$ , Expected: 0.3047980499999999 Actual: <i>value</i>	Faulty CPU module.	Retry test. If the problem persists, contact your authorized Sun service provider.
6140	Error: $a / (a + b)$ , Expected: 0.5555555555555555 Actual: <i>value</i>	Faulty CPU module.	Retry test. If the problem persists, contact your authorized Sun service provider.
6141	Error: $a / (a - b)$ , Expected: 5.0000000000000002 Actual: <i>value</i>	Faulty CPU module.	Retry test. If the problem persists, contact your authorized Sun service provider.
6142	Error: $a * (a / b)$ , Expected: 1.5431249999999999 Actual: <i>value</i>	Faulty CPU module.	Retry test. If the problem persists, contact your authorized Sun service provider.
6143	Error: $a / (a * b)$ , Expected: 1.0125555690562980 Actual: <i>value</i>	Faulty CPU module.	Retry test. If the problem persists, contact your authorized Sun service provider.
6144	Error: $\sin(-2\pi)$ , Expected: -0.00000000820413 Actual: <i>value</i>	Faulty CPU module.	Retry test. If the problem persists, contact your authorized Sun service provider.
6145	Error: $\sin(-3\pi / 2)$ , Expected: 1.0000000000000000 Actual: <i>value</i>	Faulty CPU module.	Retry test. If the problem persists, contact your authorized Sun service provider.

**TABLE 20-2** fputest Error Messages (Continued)

	<b>Error Message</b>	<b>Probable Cause(s)</b>	<b>Recommended Action</b>
6146	Error: $\sin(-3\pi/2)$ , Expected: 1.0000000000000000 Actual: <i>value</i>	Faulty CPU module.	Retry test. If the problem persists, contact your authorized Sun service provider.
6147	Error: $\sin(-\pi)$ , Expected: 0.000000000410206 Actual: <i>value</i>	Faulty CPU module.	Retry test. If the problem persists, contact your authorized Sun service provider.
6148	Error: $\sin(-\pi/2)$ , Expected: -1.0000000000000000 Actual: <i>value</i>	Faulty CPU module.	Retry test. If the problem persists, contact your authorized Sun service provider.
6149	Error: $\sin(0)$ , Expected: 0.0000000000000000 Actual: <i>value</i>	Faulty CPU module.	Retry test. If the problem persists, contact your authorized Sun service provider.
6150	Error: $\sin(\pi/2)$ , Expected: 1.0000000000000000 Actual: <i>value</i>	Faulty CPU module.	Retry test. If the problem persists, contact your authorized Sun service provider.
6151	Error: $\sin(\pi)$ , Expected: - 0.000000000410206 Actual: <i>value</i>	Faulty CPU module.	Retry test. If the problem persists, contact your authorized Sun service provider.
6152	Error: $\sin(3\pi/2)$ , Expected: - 1.0000000000000000 Actual: <i>value</i>	Faulty CPU module.	Retry test. If the problem persists, contact your authorized Sun service provider.
6153	Error: $\sin(2\pi)$ , Expected: 0.000000000820143 Actual: <i>value</i>	Faulty CPU module.	Retry test. If the problem persists, contact your authorized Sun service provider.
6154	Error: $\cos(-2\pi)$ , Expected: 1.0000000000000000 Actual: <i>value</i>	Faulty CPU module.	Retry test. If the problem persists, contact your authorized Sun service provider.
6155	Error: $\cos(-3\pi/2)$ , Expected: 0.000000000615310 Actual: <i>value</i>	Faulty CPU module.	Retry test. If the problem persists, contact your authorized Sun service provider.
6156	Error: $\cos(-\pi)$ , Expected: -1.0000000000000000 Actual: <i>value</i>	Faulty CPU module.	Retry test. If the problem persists, contact your authorized Sun service provider.
6157	Error: $\cos(-\pi/2)$ , Expected: - 0.000000000205103 Actual: <i>value</i>	Faulty CPU module.	Retry test. If the problem persists, contact your authorized Sun service provider.

**TABLE 20-2** `fpptest` Error Messages (Continued)

	<b>Error Message</b>	<b>Probable Cause(s)</b>	<b>Recommended Action</b>
6158	Error: <code>cos(0)</code> , Expected: 1.0000000000000000 Actual: <i>value</i>	Faulty CPU module.	Retry test. If the problem persists, contact your authorized Sun service provider.
6159	Error: <code>cos(pi/2)</code> , Expected: -0.000000000205103 Actual: <i>value</i>	Faulty CPU module.	Retry test. If the problem persists, contact your authorized Sun service provider.
6160	Error: <code>cos(pi)</code> , Expected: -1.0000000000000000 Actual: <i>value</i>	Faulty CPU module.	Retry test. If the problem persists, contact your authorized Sun service provider.
6161	Error: <code>cos(3pi/2)</code> , Expected: 0.000000000615310 Actual: <i>value</i>	Faulty CPU module.	Retry test. If the problem persists, contact your authorized Sun service provider.
6162	Error: <code>cos(pi/2)</code> , Expected: 1.0000000000000000 Actual: <i>value</i>	Faulty CPU module.	Retry test. If the problem persists, contact your authorized Sun service provider.
6163	Error: <code>sin(pi/4)</code> , Expected: 0.707106781259062 Actual: <i>value</i>	Faulty CPU module.	Retry test. If the problem persists, contact your authorized Sun service provider.
6164	Error: <code>sin(3pi/4)</code> , Expected: 0.707106780969002 Actual: <i>value</i>	Faulty CPU module.	Retry test. If the problem persists, contact your authorized Sun service provider.
6165	Error: <code>sin(5pi/4)</code> , Expected: -0.707106781549122 Actual: <i>value</i>	Faulty CPU module.	Retry test. If the problem persists, contact your authorized Sun service provider.
6166	Error: <code>sin(7pi/4)</code> , Expected: -0.707106780678942 Actual: <i>value</i>	Faulty CPU module.	Retry test. If the problem persists, contact your authorized Sun service provider.
6167	Error: <code>cos(pi/4)</code> , Expected: 0.707106781114032 Actual: <i>value</i>	Faulty CPU module.	Retry test. If the problem persists, contact your authorized Sun service provider.
6168	Error: <code>cos(3pi/4)</code> , Expected: -0.707106781404092 Actual: <i>value</i>	Faulty CPU module.	Retry test. If the problem persists, contact your authorized Sun service provider.
6169	Error: <code>cos(5pi/4)</code> , Expected: -0.707106780823972 Actual: <i>value</i>	Faulty CPU module.	Retry test. If the problem persists, contact your authorized Sun service provider.

**TABLE 20-2** fputest Error Messages (Continued)

	<b>Error Message</b>	<b>Probable Cause(s)</b>	<b>Recommended Action</b>
6170	Error: cos(7pi/4), Expected: 0.707106781694152 Actual: <i>value</i>	Faulty CPU module.	Retry test. If the problem persists, contact your authorized Sun service provider.
6171	Error: exp(0), Expected: 1.0000000000000000 Actual: <i>value</i>	Faulty CPU module.	Retry test. If the problem persists, contact your authorized Sun service provider.
6172	Error: exp(1), Expected: 2.718281828459045 Actual: <i>value</i>	Faulty CPU module.	Retry test. If the problem persists, contact your authorized Sun service provider.
6173	Error: exp(2), Expected: 7.389056098930650 Actual: <i>value</i>	Faulty CPU module.	Retry test. If the problem persists, contact your authorized Sun service provider.
6174	Error: exp(5), Expected: 148.413159102576600 Actual: <i>value</i>	Faulty CPU module.	Retry test. If the problem persists, contact your authorized Sun service provider.
6175	Error: exp(10), Expected: 22026.465794806718000 Actual: <i>value</i>	Faulty CPU module.	Retry test. If the problem persists, contact your authorized Sun service provider.
6176	Error: exp(-1), Expected: 0.367879441171442 Actual: <i>value</i>	Faulty CPU module.	Retry test. If the problem persists, contact your authorized Sun service provider.
6177	Error: exp(-2), Expected: 0.135335283236612 Actual: <i>value</i>	Faulty CPU module.	Retry test. If the problem persists, contact your authorized Sun service provider.
6178	Error: exp(-5), Expected: 0.006737946999085 Actual: <i>value</i>	Faulty CPU module.	Retry test. If the problem persists, contact your authorized Sun service provider.
6179	Error: exp(-10), Expected: 0.000045399929762 Actual: <i>value</i>	Faulty CPU module.	Retry test. If the problem persists, contact your authorized Sun service provider.
6180	Error: exp(log(1)), Expected: 1.0000000000000000 Actual: <i>value</i>	Faulty CPU module.	Retry test. If the problem persists, contact your authorized Sun service provider.
6181	Error: exp(log(10)), Expected 10.000000000000002 Actual: <i>value</i>	Faulty CPU module.	Retry test. If the problem persists, contact your authorized Sun service provider.
6182	Error: log(1), Expected: 0.0000000000000000 Actual: <i>value</i>	Faulty CPU module.	Retry test. If the problem persists, contact your authorized Sun service provider.

**TABLE 20-2** `fputest` Error Messages (Continued)

	<b>Error Message</b>	<b>Probable Cause(s)</b>	<b>Recommended Action</b>
6183	Error: <code>log(2)</code> , Expected: 0.693147180559945 Actual: <i>value</i>	Faulty CPU module.	Retry test. If the problem persists, contact your authorized Sun service provider.
6184	Error: <code>log(10)</code> , Expected: 2.302585092994045 Actual: <i>value</i>	Faulty CPU module.	Retry test. If the problem persists, contact your authorized Sun service provider.
6185	Error: <code>log(100)</code> , Expected: 4.605170185988091 Actual: <i>value</i>	Faulty CPU module.	Retry test. If the problem persists, contact your authorized Sun service provider.
6186	Error: <code>log(exp(0))</code> , Expected: 0.0000000000000000 Actual: <i>value</i>	Faulty CPU module.	Retry test. If the problem persists, contact your authorized Sun service provider.
6187	Error: <code>log(exp(1))</code> , Expected: 1.0000000000000000 Actual: <i>value</i>	Faulty CPU module.	Retry test. If the problem persists, contact your authorized Sun service provider.
6188	Error: <code>log(exp(10))</code> , Expected: 10.0000000000000000 Actual: <i>value</i>	Faulty CPU module.	Retry test. If the problem persists, contact your authorized Sun service provider.
6189	Error: <code>tan(-2pi)</code> , Expected: -0.000000000820414 Actual: <i>value</i>	Faulty CPU module.	Retry test. If the problem persists, contact your authorized Sun service provider.
6190	Error: <code>tan(-7pi/4)</code> , Expected: 0.999999998564275 Actual: <i>value</i>	Faulty CPU module.	Retry test. If the problem persists, contact your authorized Sun service provider.
6191	Error: <code>tan(-5pi/4)</code> , Expected: - 1.000000001025517 Actual: <i>value</i>	Faulty CPU module.	Retry test. If the problem persists, contact your authorized Sun service provider.
6192	Error: <code>tan(-pi)</code> , Expected: 0.000000000410207 Actual: <i>value</i>	Faulty CPU module.	Retry test. If the problem persists, contact your authorized Sun service provider.
6193	Error: <code>tan(-3pi/4)</code> , Expected: 0.99999999384690 Actual: <i>value</i>	Faulty CPU module.	Retry test. If the problem persists, contact your authorized Sun service provider.
6194	Error: <code>tan(-pi/4)</code> , Expected: - 1.000000000205103 Actual: <i>value</i>	Faulty CPU module.	Retry test. If the problem persists, contact your authorized Sun service provider.

**TABLE 20-2** fputest Error Messages (Continued)

	<b>Error Message</b>	<b>Probable Cause(s)</b>	<b>Recommended Action</b>
6195	Error: tan(0.0), Expected: 0.0000000000000000 Actual: <i>value</i>	Faulty CPU module.	Retry test. If the problem persists, contact your authorized Sun service provider.
6196	Error: tan(pi / 4), Expected: 1.000000000205103 Actual: <i>value</i>	Faulty CPU module.	Retry test. If the problem persists, contact your authorized Sun service provider.
6197	Error: tan(3pi/4), Expected: - 0.999999999384690 Actual: <i>value</i>	Faulty CPU module.	Retry test. If the problem persists, contact your authorized Sun service provider.
6198	Error: tan(pi), Expected: 0.00000000410207 Actual: <i>value</i>	Faulty CPU module.	Retry test. If the problem persists, contact your authorized Sun service provider.
6199	Error: tan(5pi/4), Expected: 1.00000001025517 Actual: <i>value</i>	Faulty CPU module.	Retry test. If the problem persists, contact your authorized Sun service provider.
6200	Error: tan(7pi/4), Expected: - 0.999999998564275 Actual: <i>value</i>	Faulty CPU module.	Retry test. If the problem persists, contact your authorized Sun service provider.
6201	Error: tan(2pi), Expected: 0.00000000820414 Actual: <i>value</i>	Faulty CPU module.	Retry test. If the problem persists, contact your authorized Sun service provider.
6202	Error: sqrt(0), Expected: 0.0000000000000000 Actual: <i>value</i>	Faulty CPU module.	Retry test. If the problem persists, contact your authorized Sun service provider.
6203	Error: sqrt(1), Expected: 1.0000000000000000 Actual: <i>value</i>	Faulty CPU module.	Retry test. If the problem persists, contact your authorized Sun service provider.
6204	Error: sqrt(4), Expected: 2.0000000000000000 Actual: <i>value</i>	Faulty CPU module.	Retry test. If the problem persists, contact your authorized Sun service provider.
6205	Error: sqrt(9), Expected: 3.0000000000000000 Actual: <i>value</i>	Faulty CPU module.	Retry test. If the problem persists, contact your authorized Sun service provider.
6206	Error: sqrt(16), Expected: 4.0000000000000000 Actual: <i>value</i>	Faulty CPU module.	Retry test. If the problem persists, contact your authorized Sun service provider.
6207	Error: sqrt(25), Expected: 5.0000000000000000 Actual: <i>value</i>	Faulty CPU module.	Retry test. If the problem persists, contact your authorized Sun service provider.



**TABLE 20-2** `fputest` Error Messages (Continued)

	<b>Error Message</b>	<b>Probable Cause(s)</b>	<b>Recommended Action</b>
6208	Error: <code>sqrt(36)</code> , Expected: 6.0000000000000000 Actual: <i>value</i>	Faulty CPU module.	Retry test. If the problem persists, contact your authorized Sun service provider.
6209	Error: <code>sqrt(49)</code> , Expected: 7.0000000000000000 Actual: <i>value</i>	Faulty CPU module.	Retry test. If the problem persists, contact your authorized Sun service provider.
6210	Error: <code>sqrt(64)</code> , Expected: 8.0000000000000000 Actual: <i>value</i>	Faulty CPU module.	Retry test. If the problem persists, contact your authorized Sun service provider.
6211	Error: <code>sqrt(81)</code> , Expected: 9.0000000000000000 Actual: <i>value</i>	Faulty CPU module.	Retry test. If the problem persists, contact your authorized Sun service provider.
6212	Error: <code>sqrt(100)</code> , Expected: 10.0000000000000000 Actual: <i>value</i>	Faulty CPU module.	Retry test. If the problem persists, contact your authorized Sun service provider.
6213	<code>log-test</code> failed: <code>int = value</code> , expected / observed = <i>value</i> / <i>value</i>	Faulty CPU module.	Retry test. If the problem persists, contact your authorized Sun service provider.
6214	<code>kvm_read(mem,nl[0].n_value,</code> <code>..)</code> failed	Faulty CPU module.	Retry test. If the problem persists, contact your authorized Sun service provider.
6215	<code>kvm_open()</code> failed:<error_message>	Faulty CPU module.	Retry test. If the problem persists, contact your authorized Sun service provider.
6216	<code>kvm_nlist()</code> failed:<error_message>	Faulty CPU module.	Retry test. If the problem persists, contact your authorized Sun service provider.
6217	Add SP failed: expected / read = <i>value</i> / <i>value</i>	Faulty CPU module.	Retry test. If the problem persists, contact your authorized Sun service provider.
6218	Multiply SP failed:expected / read = <i>value</i> / <i>value</i>	Faulty CPU module.	Retry test. If the problem persists, contact your authorized Sun service provider.
6219	Add DP failed: <code>msh</code> : expected / read = <i>value</i> / <i>value</i> , <code>lsw</code> : expected / read = <i>value</i> / <i>value</i>	Faulty CPU module.	Retry test. If the problem persists, contact your authorized Sun service provider.

**TABLE 20-2** fputest Error Messages (Continued)

	<b>Error Message</b>	<b>Probable Cause(s)</b>	<b>Recommended Action</b>
6220	Multiply DP failed: msw : expected / read = <i>value</i> / <i>value</i> , lsw : expected / read = <i>value</i> / <i>value</i>	Faulty CPU module.	Retry test. If the problem persists, contact your authorized Sun service provider.
6221	Single-Precision: add, expected / observed = 0x41200000 / 0x <i>value</i>	Faulty CPU module.	Retry test. If the problem persists, contact your authorized Sun service provider.
6222	Single-Precision: Multiply, expected / observed = 0x43470000 / 0x <i>value</i>	Faulty CPU module.	Retry test. If the problem persists, contact your authorized Sun service provider.
6223	Double-Precision: Add, MSW : expected / observed = 0x40240000 / 0x <i>value</i> , LSW : expected / observed = 0x0 / 0x <i>value</i>	Faulty CPU module.	Retry test. If the problem persists, contact your authorized Sun service provider.
6224	Double-Precision: Multiply, MSW : expected / observed = 0x40340000 / 0x <i>value</i> , LSW : expected / observed = 0x0 / 0x <i>value</i>	Faulty CPU module.	Retry test. If the problem persists, contact your authorized Sun service provider.
6225	Error: expected / observed = <i>value</i> / 0x <i>value</i>	Faulty CPU module.	Retry test. If the problem persists, contact your authorized Sun service provider.
6226	Error: expected / observed = <i>value</i> / 0x <i>value</i>	Faulty CPU module.	Retry test. If the problem persists, contact your authorized Sun service provider.
6227	fitos failed: int = <i>value</i> , expected / observed = <i>value</i> / <i>value</i>	Faulty CPU module.	Retry test. If the problem persists, contact your authorized Sun service provider.
6228	fitod failed: int = <i>value</i> , expected / observed = <i>value</i> / <i>value</i>	Faulty CPU module.	Retry test. If the problem persists, contact your authorized Sun service provider.
6229	fstoi failed: int = <i>value</i> , expected / observed = <i>value</i> / <i>value</i>	Faulty CPU module.	Retry test. If the problem persists, contact your authorized Sun service provider.
6230	fdtoi failed: int = <i>value</i> , expected / observed = <i>value</i> / <i>value</i>	Faulty CPU module.	Retry test. If the problem persists, contact your authorized Sun service provider.
6231	fstod failed: int = <i>value</i> , expected / observed = <i>value</i> / <i>value</i>	Faulty CPU module.	Retry test. If the problem persists, contact your authorized Sun service provider.

**TABLE 20-2** fputest Error Messages (Continued)

	<b>Error Message</b>	<b>Probable Cause(s)</b>	<b>Recommended Action</b>
6232	fdtos failed: int = <i>value</i> , expected / observed = <i>value</i> / <i>value</i>	Faulty CPU module.	Retry test. If the problem persists, contact your authorized Sun service provider.
6233	fmovs failed: written <i>value</i> to f0, read from f31 = <i>value</i>	Faulty CPU module.	Retry test. If the problem persists, contact your authorized Sun service provider.
6234	fnegs failed (from pos to neg): int = <i>value</i> , expected / observed = <i>value</i> / <i>value</i>	Faulty CPU module.	Retry test. If the problem persists, contact your authorized Sun service provider.
6235	fnegs failed (from neg. to pos): int = <i>value</i> , expected / observed = <i>value</i> / <i>value</i>	Faulty CPU module.	Retry test. If the problem persists, contact your authorized Sun service provider.
6236	fabs failed: int = <i>value</i> , expected / observed = <i>value</i> / <i>value</i>	Faulty CPU module.	Retry test. If the problem persists, contact your authorized Sun service provider.
6237	fadds failed: int = <i>value</i> , f0 = <i>value</i> , f2 = <i>value</i> , f0+f2 = f4 = <i>value</i>	Faulty CPU module.	Retry test. If the problem persists, contact your authorized Sun service provider.
6238	faddd failed: int = <i>value</i> , f0 = <i>value</i> , f2 = <i>value</i> , f0+f2 = f4 = <i>value</i>	Faulty CPU module.	Retry test. If the problem persists, contact your authorized Sun service provider.
6239	fsubs failed: int = <i>value</i> , f0 = <i>value</i> , f2 = <i>value</i> , f0-f2 = f4 = <i>value</i>	Faulty CPU module.	Retry test. If the problem persists, contact your authorized Sun service provider.
6240	fsubd failed: int = <i>value</i> , f0 = <i>value</i> , f2 = <i>value</i> , f0-f2 = f4 = <i>value</i>	Faulty CPU module.	Retry test. If the problem persists, contact your authorized Sun service provider.
6241	fsqrt(single) failed: written / read = <i>value</i> / <i>value</i>	Faulty CPU module.	Retry test. If the problem persists, contact your authorized Sun service provider.
6242	fsqrt(double) failed: written / read = <i>value</i> / <i>value</i>	Faulty CPU module.	Retry test. If the problem persists, contact your authorized Sun service provider.
6243	fdivs failed: int = <i>value</i> , f0 = <i>value</i> , f2 = <i>value</i> , f0 / f2 = f4 = <i>value</i>	Faulty CPU module.	Retry test. If the problem persists, contact your authorized Sun service provider.
6244	fdivd failed: int = <i>value</i> , f0 = <i>value</i> , f2 = <i>value</i> , f0 / f2 = f4 = <i>value</i>	Faulty CPU module.	Retry test. If the problem persists, contact your authorized Sun service provider.

**TABLE 20-2** fputest Error Messages (Continued)

	<b>Error Message</b>	<b>Probable Cause(s)</b>	<b>Recommended Action</b>
6245	fmuls failed: int = <i>value</i> , f0 = <i>value</i> , f2 = <i>value</i> , f0 / f2 = f4 = <i>value</i>	Faulty CPU module.	Retry test. If the problem persists, contact your authorized Sun service provider.
6246	fmuld failed: int = <i>value</i> , f0 = <i>value</i> , f2 = <i>value</i> , f0 / f2 = f4 = <i>value</i>	Faulty CPU module.	Retry test. If the problem persists, contact your authorized Sun service provider.
6247	fcmps failed: f0 = <i>value</i> , f2 = <i>value</i> : expected / observed = 0 / <i>value</i>	Faulty CPU module.	Retry test. If the problem persists, contact your authorized Sun service provider.
6248	fcmps failed: f0 = <i>value</i> , f2 = <i>value</i> : expected / observed = 1 / <i>value</i>	Faulty CPU module.	Retry test. If the problem persists, contact your authorized Sun service provider.
6249	fcmps failed: f0 = <i>value</i> , f2 = <i>value</i> : expected / observed = 2 / <i>value</i>	Faulty CPU module.	Retry test. If the problem persists, contact your authorized Sun service provider.
6250	fcmps failed: f0 = <i>value</i> , f2 = NaN : expected / observed = 3 / <i>value</i>	Faulty CPU module.	Retry test. If the problem persists, contact your authorized Sun service provider.
6251	fcmpd failed: f0 = <i>value</i> , f2 = <i>value</i> : expected / observed = 0 / <i>value</i>	Faulty CPU module.	Retry test. If the problem persists, contact your authorized Sun service provider.
6252	fcmpd failed: f0 = <i>value</i> , f2 = <i>value</i> : expected / observed = 1 / <i>value</i>	Faulty CPU module.	Retry test. If the problem persists, contact your authorized Sun service provider.
6253	fcmpd failed: f0 = <i>value</i> , f2 = <i>value</i> : expected / observed = 2 / <i>value</i>	Faulty CPU module.	Retry test. If the problem persists, contact your authorized Sun service provider.
6254	fcmpd failed: f0 = <i>value</i> , f2 = NaN : expected / observed = 3 / <i>value</i>	Faulty CPU module.	Retry test. If the problem persists, contact your authorized Sun service provider.
6255	FBU failed. result = <i>value</i>	Faulty CPU module.	Retry test. If the problem persists, contact your authorized Sun service provider.
6256	FBG failed: f0 = <i>value</i> , f2 = <i>value</i>	Faulty CPU module.	Retry test. If the problem persists, contact your authorized Sun service provider.
6257	FBUG (unordered) failed	Faulty CPU module.	Retry test. If the problem persists, contact your authorized Sun service provider.

**TABLE 20-2** `fputest` Error Messages (Continued)

	<b>Error Message</b>	<b>Probable Cause(s)</b>	<b>Recommended Action</b>
6258	FBUG (greater) failed: f0 = <i>value</i> , f2 = <i>value</i>	Faulty CPU module.	Retry test. If the problem persists, contact your authorized Sun service provider.
6259	FBL failed: f0 = <i>value</i> , f2 = <i>value</i>	Faulty CPU module.	Retry test. If the problem persists, contact your authorized Sun service provider.
6260	FBUL (unordered) failed	Faulty CPU module.	Retry test. If the problem persists, contact your authorized Sun service provider.
6261	FBUL (Less) failed: f0 = <i>value</i> , f2 = <i>value</i>	Faulty CPU module.	Retry test. If the problem persists, contact your authorized Sun service provider.
6262	FBLG (Less) failed: f0 = <i>value</i> , f2 = <i>value</i>	Faulty CPU module.	Retry test. If the problem persists, contact your authorized Sun service provider.
6263	FBLG (Greater) failed: f0 = <i>value</i> , f2 = <i>value</i>	Faulty CPU module.	Retry test. If the problem persists, contact your authorized Sun service provider.
6264	FBNE failed: f0 = <i>value</i> , f2 = <i>value</i>	Faulty CPU module.	Retry test. If the problem persists, contact your authorized Sun service provider.
6265	FBE failed: f0 = <i>value</i> , f2 = <i>value</i>	Faulty CPU module.	Retry test. If the problem persists, contact your authorized Sun service provider.
6266	FBUE (unordered) failed	Faulty CPU module.	Retry test. If the problem persists, contact your authorized Sun service provider.
6267	FBUE (equal) failed: f0 = <i>value</i> , f2 = <i>value</i>	Faulty CPU module.	Retry test. If the problem persists, contact your authorized Sun service provider.
6268	FBGE (equal) failed: f0 = <i>value</i> , f2 = <i>value</i>	Faulty CPU module.	Retry test. If the problem persists, contact your authorized Sun service provider.
6269	FBGE (greater) failed: f0 = <i>value</i> , f2 = <i>value</i>	Faulty CPU module.	Retry test. If the problem persists, contact your authorized Sun service provider.
6270	FBUGE (unordered) failed	Faulty CPU module.	Retry test. If the problem persists, contact your authorized Sun service provider.

**TABLE 20-2** fputest Error Messages (Continued)

	<b>Error Message</b>	<b>Probable Cause(s)</b>	<b>Recommended Action</b>
6271	FBUGE (equal) failed: f0 = <i>value</i> , f2 = <i>value</i>	Faulty CPU module.	Retry test. If the problem persists, contact your authorized Sun service provider.
6272	FBUGE (greater) failed: f0 = <i>value</i> , f2 = <i>value</i>	Faulty CPU module.	Retry test. If the problem persists, contact your authorized Sun service provider.
6273	FBLE (Less) failed: f0 = <i>value</i> , f2 = <i>value</i>	Faulty CPU module.	Retry test. If the problem persists, contact your authorized Sun service provider.
6274	FBLE (equal) failed: f0 = <i>value</i> , f2 = <i>value</i>	Faulty CPU module.	Retry test. If the problem persists, contact your authorized Sun service provider.
6275	FBULE (unordered) failed	Faulty CPU module.	Retry test. If the problem persists, contact your authorized Sun service provider.
6276	FBULE (Less) failed: f0 = <i>value</i> , f2 = <i>value</i>	Faulty CPU module.	Retry test. If the problem persists, contact your authorized Sun service provider.
6277	FBULE (equal) failed: f0 = <i>value</i> , f2 = <i>value</i>	Faulty CPU module.	Retry test. If the problem persists, contact your authorized Sun service provider.
6278	FBO failed: f0 = <i>value</i> , f2 = <i>value</i>	Faulty CPU module.	Retry test. If the problem persists, contact your authorized Sun service provider.
6279	FBA failed: f0 = <i>value</i> , f2 = <i>value</i>	Faulty CPU module.	Retry test. If the problem persists, contact your authorized Sun service provider.
6280	FBN failed: f0 = <i>value</i> , f2 = <i>value</i>	Faulty CPU module.	Retry test. If the problem persists, contact your authorized Sun service provider.
6281	FBU failed	Faulty CPU module.	Retry test. If the problem persists, contact your authorized Sun service provider.
6282	FBG failed: f0 = <i>value</i> , f2 = <i>value</i>	Faulty CPU module.	Retry test. If the problem persists, contact your authorized Sun service provider.
6283	FBUG failed: f0 = <i>value</i> , f2 = <i>value</i>	Faulty CPU module.	Retry test. If the problem persists, contact your authorized Sun service provider.

**TABLE 20-2** `fputest` Error Messages (Continued)

	<b>Error Message</b>	<b>Probable Cause(s)</b>	<b>Recommended Action</b>
6284	FBL failed: f0 = <i>value</i> , f2 = <i>value</i>	Faulty CPU module.	Retry test. If the problem persists, contact your authorized Sun service provider.
6285	FBUL failed: f0 = <i>value</i> , f2 = <i>value</i>	Faulty CPU module.	Retry test. If the problem persists, contact your authorized Sun service provider.
6286	FBLG failed: f0 = <i>value</i> , f2 = <i>value</i>	Faulty CPU module.	Retry test. If the problem persists, contact your authorized Sun service provider.
6287	FBNE failed: f0 = <i>value</i> , f2 = <i>value</i>	Faulty CPU module.	Retry test. If the problem persists, contact your authorized Sun service provider.
6288	FBE failed: f0 = <i>value</i> , f2 = <i>value</i>	Faulty CPU module.	Retry test. If the problem persists, contact your authorized Sun service provider.
6289	FBUE failed: f0 = <i>value</i> , f2 = <i>value</i>	Faulty CPU module.	Retry test. If the problem persists, contact your authorized Sun service provider.
6290	FBGE failed: f0 = <i>value</i> , f2 = <i>value</i>	Faulty CPU module.	Retry test. If the problem persists, contact your authorized Sun service provider.
6291	FBUGE failed: f0 = <i>value</i> , f2 = <i>value</i>	Faulty CPU module.	Retry test. If the problem persists, contact your authorized Sun service provider.
6292	FBLE failed: f0 = <i>value</i> , f2 = <i>value</i>	Faulty CPU module.	Retry test. If the problem persists, contact your authorized Sun service provider.
6293	FBULE failed: f0 = <i>value</i> , f2 = <i>value</i>	Faulty CPU module.	Retry test. If the problem persists, contact your authorized Sun service provider.
6294	FBO failed	Faulty CPU module.	Retry test. If the problem persists, contact your authorized Sun service provider.
6295	fcmpxs failed: Exception did not occur. fsr = <i>value</i>	Faulty CPU module.	Retry test. If the problem persists, contact your authorized Sun service provider.
6296	fcmpxd failed: Exception did not occur. fsr = <i>value</i>	Faulty CPU module.	Retry test. If the problem persists, contact your authorized Sun service provider.

**TABLE 20-2** fputest Error Messages (Continued)

	<b>Error Message</b>	<b>Probable Cause(s)</b>	<b>Recommended Action</b>
6297	Error: Bus error occurred. ftt = <i>value</i>	Faulty CPU module.	Retry test. If the problem persists, contact your authorized Sun service provider.
6298	Error: Bus error did not occur (IEEE exception). ftt = <i>value</i>	Faulty CPU module.	Retry test. If the problem persists, contact your authorized Sun service provider.
6299	Error: Bus error did not occur (Unfinished exception). ftt = <i>value</i>	Faulty CPU module.	Retry test. If the problem persists, contact your authorized Sun service provider.
6300	register read/write failed: reg = <i>value</i> , expected / observed = <i>value</i> / <i>value</i>	Faulty CPU module.	Retry test. If the problem persists, contact your authorized Sun service provider.
6301	register test-2 read/write failed: reg = <i>value</i> , expected / observed = <i>value</i> / <i>value</i>	Faulty CPU module.	Retry test. If the problem persists, contact your authorized Sun service provider.
6302	register read/write failed: reg = <i>value</i> , expected / observed = <i>value</i> / <i>value</i>	Faulty CPU module.	Retry test. If the problem persists, contact your authorized Sun service provider.
6303	FSR Error: expected / observed = <i>value</i> / <i>value</i>	Faulty CPU module.	Retry test. If the problem persists, contact your authorized Sun service provider.
6304	Wrong code is given	Faulty CPU module.	Retry test. If the problem persists, contact your authorized Sun service provider.
6305	FPU Trap did not occur, i = <i>value</i>	Faulty CPU module.	Retry test. If the problem persists, contact your authorized Sun service provider.
6306	FPU Trap Should not occur but occurred	Faulty CPU module.	Retry test. If the problem persists, contact your authorized Sun service provider.
6307	Bus Error did not occur	Faulty CPU module.	Retry test. If the problem persists, contact your authorized Sun service provider.
6308	Did not create correct IEEE exception (Inexact): expected = 1, observed = <i>value</i>	Faulty CPU module.	Retry test. If the problem persists, contact your authorized Sun service provider.
6309	Did not create correct IEEE exception (Divide By zero): expected = 2, observed = <i>value</i>	Faulty CPU module.	Retry test. If the problem persists, contact your authorized Sun service provider.



**TABLE 20-2** fputest Error Messages (Continued)

	<b>Error Message</b>	<b>Probable Cause(s)</b>	<b>Recommended Action</b>
6310	Did not create correct IEEE exception (Overflow) : expected = 8, observed = <i>value</i>	Faulty CPU module.	Retry test. If the problem persists, contact your authorized Sun service provider.
6311	Did not create correct IEEE exception (Invalid) : expected = 10, observed = <i>value</i>	Faulty CPU module.	Retry test. If the problem persists, contact your authorized Sun service provider.
6312	Sun FPU Reliability Test Failed due to segment violation error	Faulty CPU module.	Retry test. If the problem persists, contact your authorized Sun service provider.
6313	Sun FPU Reliability Test Failed due to fpu bus error	Faulty CPU module.	Retry test. If the problem persists, contact your authorized Sun service provider.
6314	Number of failures (out of <i>value</i> cases) = <i>value</i>	Faulty CPU module.	Retry test. If the problem persists, contact your authorized Sun service provider.
6315	malloc(0x <i>value</i> ) failed:<error_message>	Faulty CPU module.	Retry test. If the problem persists, contact your authorized Sun service provider.
6316	Failed <i>value</i> precision linpack test	Faulty CPU module.	Retry test. If the problem persists, contact your authorized Sun service provider.
6317	DIVTEST <i>value</i> : Number of failures (out of <i>value</i> cases) = <i>value</i>	Faulty CPU module.	Retry test. If the problem persists, contact your authorized Sun service provider.
6318	, expected t <i>value</i> , observed <i>value</i> , expected x <i>value</i> , observed <i>value</i> , expected y <i>value</i> , observed <i>value</i> , expected z <i>value</i> , observed <i>value</i>	Faulty CPU module.	Retry test. If the problem persists, contact your authorized Sun service provider.
6319	, expected t <i>value</i> , observed <i>value</i> /n expected x <i>value</i> , observed <i>value</i> , expected y <i>value</i> , observed <i>value</i> , expected z <i>value</i> , observed <i>value</i>	Faulty CPU module.	Retry test. If the problem persists, contact your authorized Sun service provider.
6321	<i>value</i>	Faulty CPU module.	Retry test. If the problem persists, contact your authorized Sun service provider.

**TABLE 20-2** *fputest* Error Messages (Continued)

	<b>Error Message</b>	<b>Probable Cause(s)</b>	<b>Recommended Action</b>
6322	Sun FPU Reliability Test Failed due to floating point exception error	Faulty CPU module.	Retry test. If the problem persists, contact your authorized Sun service provider.
6323	Sun FPU Reliability Test Failed due to illegal instruction error	Faulty CPU module.	Retry test. If the problem persists, contact your authorized Sun service provider.
8000	Failed systest for FPU		
8001	Floating point exception interrupt		

## Sun GigabitEthernet Test (gemtest)

---

The Gigabit Ethernet Test (gemtest) has been replaced with the Ethernet Loopback Test (netlbttest). Please see Chapter 28 for further details.



## PGX32 Frame Buffer Test (`gfxtest`)

The `gfxtest` tests the PGX32 frame buffer card by performing video memory, RAMDAC, and acceleration subtests as described in TABLE 22-1.

**TABLE 22-1** `gfxtest` Subtests

Subtest	Description
Video Memory	Thoroughly tests the 8-Mbytes of video frame buffer memory using random and sequential 8-bit and 32-bit accesses. One pass of this subtest takes a while to complete.
RAMDAC	Tests the internal circuitry of the video output. The RAMDAC CLUT (color Lookup table) is tested using simple/read-write patterns to determine if there are any bad bits in the CLUT. This test only checks the functionality of the digital portion of the RAMDAC. This subtest does not ensure that the analog video signals are produced properly. This subtest takes less than one second to complete.
Acceleration	Thoroughly tests the hardware graphics acceleration of the PGX32 card. It re-initializes the engine, tests primitives such as lines, rectangles, bitblts, tiled and stippled rectangles with on-screen and off-screen memory. The Acceleration test also tests the ALU. This test takes less than one second to complete.



**Caution** – DO NOT run any other application or screen saver program that uses the PGX32 frame buffer card. Do not run power management software. These programs cause SunVTS to return incorrect errors.

**Note** – Disable all screen savers before testing any graphics device. Type `xset s off` at a UNIX prompt to disable the Solaris screen saver. Disable power management software if it is running.

---

**Note** – Due to the nature of graphic tests, reading from or writing to the frame buffer during graphic tests will disturb user operation.

---

---

**Note** – Do not run `gfxtest` from the SunVTS TTY mode when you are at the console.

---

---

**Note** – DO NOT run Open Windows across multiple monitors.

---

---

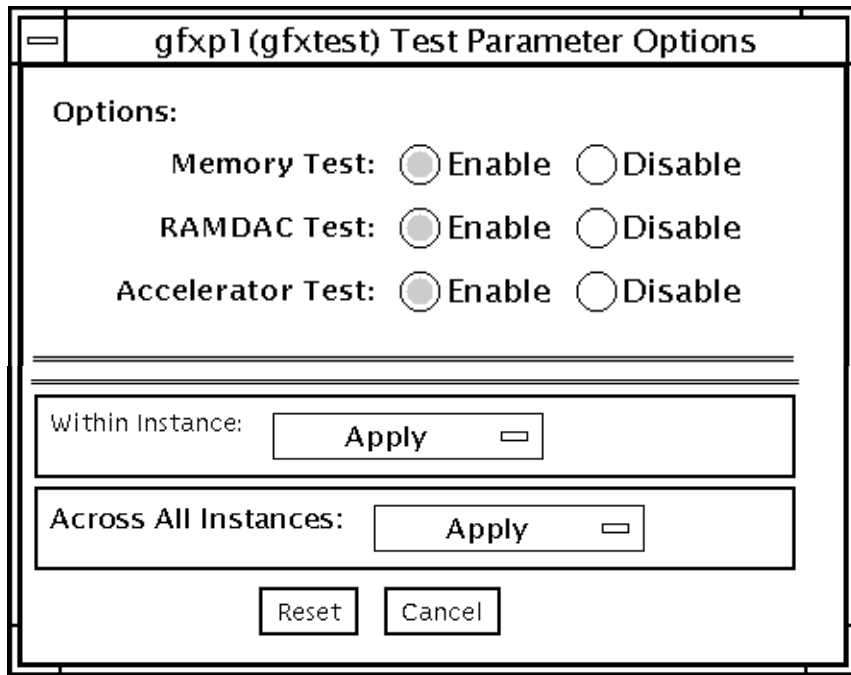
**Note** – To start SunVTS with `vtsui`, but without `vtsk`, you may need to add the host name to `xhost` as: `xhost + hostname`.

---

---

## gfxtest Options

To reach the dialog box below, right-click on the test name in the System Map and select Test Parameter Options. If you do not see this test in the System Map, you might need to expand the collapsed groups, or your system may not include the device appropriate to this test. Refer to the *SunVTS User's Guide* for more details.



**FIGURE 22-1** `gfxtest` Option Menu

**TABLE 22-2** `gfxtest` Options

Options	Description
Memory Test	Enables or disables the Video Memory subtest. The default is enabled.
RAMDAC Test	Enables or disables the RAMDAC subtest. The default is enabled.
Acceleration Test	Enables or disables the Acceleration subtest. The default is enabled.

---

# gfxtest Test Modes

**TABLE 22-3** `gfxtest` Test Modes

Test Mode	Supported?	Description
Connection	No	Not supported
Functional (Offline)	Yes	Runs the full set of tests
Functional (Online)	No	Not supported

---

# gfxtest Command Line Syntax

```
/opt/SUNWvts/bin/gfxtest standard_arguments -o  
dev=device_name,mem=no_of_passes,ramdac=no_of_passes,accel=no_of_passes
```

**TABLE 22-4** `gfxtest` Command Line Syntax

Argument	Explanation
<code>dev=device_name</code>	<code>device_name</code> is the relative path name of the device being tested with respect to <code>/dev/fbs</code> , for example, <code>/dev/fbs/gfxp0</code> .
<code>mem=no_of_passes</code>	Specifies the number of times to run the Video Memory subtest. The default is one time.
<code>ramdac=no_of_passes</code>	Specifies the number of times to run the RAMDAC subtest. The default is one time.
<code>accel=no_of_passes</code>	Specifies the number of times to run the Acceleration subtest. The default is one time.

**Note** – 64-bit tests are located in the `sparcv9` subdirectory: `/opt/SUNWvts/bin/sparcv9/testname`. If a test is not present in this directory, then it may only be available as a 32-bit test. For more information refer to “32-Bit and 64-Bit Tests” on page 3.



---

## gfxtest Error Messages

Errors returned by `gfxtest` are nonspecific. It is not possible to determine which component caused a failure. In all error conditions, the field replaceable unit (FRU) is the entire PGX32 frame buffer card.

**TABLE 22-5** `gfxtest` Error Messages

Error Message	Probable Cause(s)	Recommended Action
6000	Please enter an appropriate value, <i>string</i> ?	
6001	Bad test option: <i>string</i>	
6002	Found error in subtest	
6004	Test Failed. Found <i>data</i> errors.	
6005	Memory test failed. Found <i>data</i> errors	
6006	RAMDAC test failed. Found <i>data</i> errors	
6007	Accelerator test failed. Found <i>data</i> errors	
6008	<code>sysinfo(2)</code> failed getting hostname	
6009	Can't acquire console semaphore	
6010	Cannot gain control of keyboard	
6011	Cannot gain control of mouse	
8000	Fatal Error: Could not open device	
8001	Fatal Error: Could not map framebuffer for device	
8002	Fatal Error: Could not map accelerator for device <i>string</i>	
8003	Fatal Error: Random test suite cannot test regions whose size $\neq 2^n$	
8004	Fatal Error: Out of memory	
8005	Fatal Error To test a console GFX, run SunVTS from OpenWindows	



## Intelligent Fibre Channel Processor Test (`ifptest`)

---

`ifptest` tests the functionality of the PCI FC\_AL card when there are no devices attached to the loop. The driver checks for devices on the fibre loop. If devices are detected the driver blocks any diagnostic commands.

---

**Note** – When devices are attached to the loop, do not run `ifptest`. Instead, run `disktest` tests on the individual devices. This will test the whole subsystem including the FC\_AL controller.

---

`ifptest` uses the “mailbox” interface to the card. This interface allows certain firmware operations to be performed that normally would not be available to the application layer.

---

### `ifptest` Subtests

Four subtests are run in online and functional modes:

- Mailbox Loopback test

Loads a series of registers into the input mailboxes on the card and then reads the output mailboxes and compares results. This verifies that the system side of the card is operating correctly, and that the internal data paths are okay.

- Firmware revision check

Reads the firmware revision from the firmware and compares it against a revision loaded by the driver.

- Checksum firmware test

Runs an internal checksum test on the installed firmware. This verifies that the RISC RAM on the card is fully functional and that the installed firmware is still intact. This test also serves as a quick RAM check of the RISC RAM.

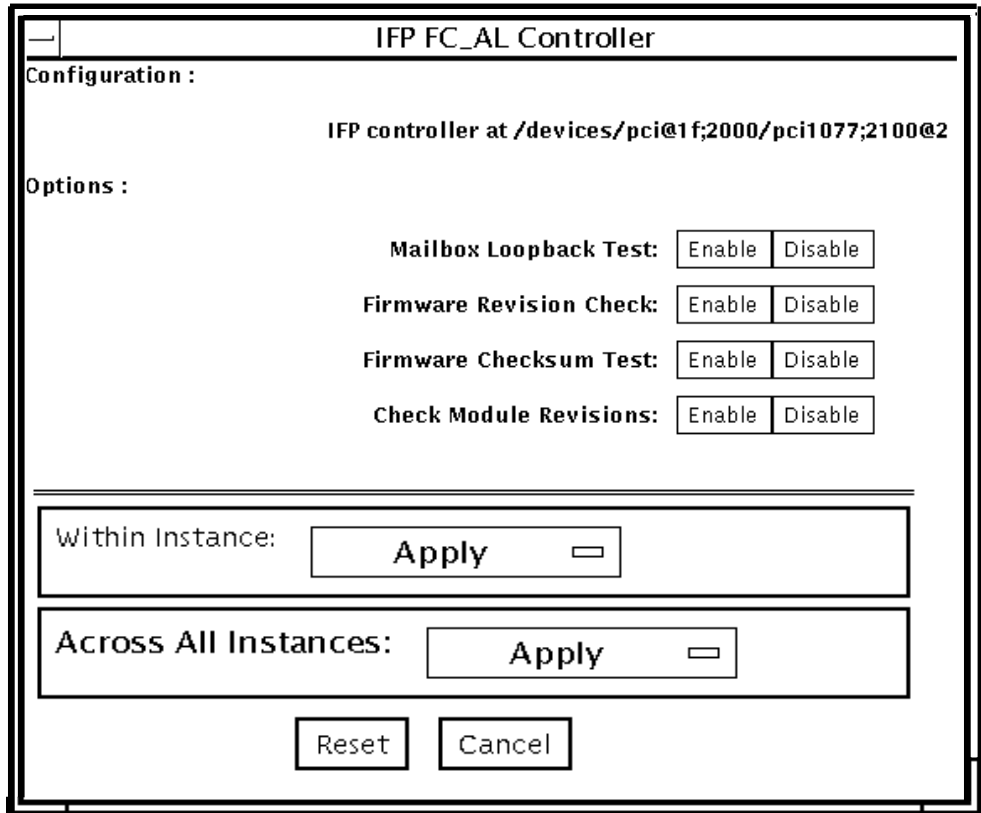
- Dump revision levels

Extracts the hardware and firmware revision levels of different submodules on the card.

---

## ifptest Options

To reach the dialog box below, right-click on the test name in the System Map and select Test Parameter Options. If you do not see this test in the System Map, you might need to expand the collapsed groups, or your system may not include the device appropriate to this test. Refer to the *SunVTS User's Guide* for more details.



**FIGURE 23-1** ifptest Test Parameter Options Dialog Box

**TABLE 23-1** ifptest Options

ifptest Options	Description
Mailbox Loopback test	Enables or disables the mailbox loopback command. This test writes data patterns into the mailboxes and then reads them back from the output mailboxes and verifies the data is correct.

**TABLE 23-1** ifptest Options

<code>ifptest</code> Options	Description
Firmware revision check	Enables or disables the firmware revision check command. This test extracts the firmware revision from the RISC firmware code and verifies against expected values.
Firmware checksum test	Enables or disables the firmware checksum command. This command instructs the interface's RISC processor to calculate the checksum on the current microcode and then compare it against the checksum that was loaded in with the microcode.
Check Module Revisions	Enables or disables the firmware checksum command. This command returns the revision level of several sub-modules on the interface card. Although this test is executed when enabled, the module revision levels are only printed out in VERBOSE mode.

## ifptest Command-Line Syntax

```
/opt/SUNWvts/bin/ifptest standard_arguments
-o dev=device name,mbox=Enable|Disable,fwrevcheck=[Enable|Disable],
checksum=[Enable|Disable],modrevcheck=[Enable|Disable]
```

**TABLE 23-2** ifptest Command-Line Syntax

Argument	Explanation
<code>dev</code>	The name of the device to test.
<code>mbox Enable Disable</code>	Enables or disables the mailbox loopback command. This test writes data patterns into the mailboxes and then reads them back from the output mailboxes and verifies the data is correct.
<code>fwrevcheck Enable Disable</code>	Enables or disables the firmware revision check command. This test extracts the firmware revision from the RISC firmware code and verifies against expected values.
<code>checksum Enable Disable</code>	Enables or disables the firmware checksum command. This command instructs the interface's RISC processor to calculate the checksum on the current microcode and then compare it against the checksum that was loaded in with the microcode.
<code>modrevcheck Enable Disable</code>	Enables or disables the firmware checksum command. This command returns the revision level of several sub-modules on the interface card. Although this test is executed when enabled, the module revision levels are only printed out in VERBOSE mode.

---

**Note** – 64-bit tests are located in the `sparcv9` subdirectory: `/opt/SUNWvts/bin/sparcv9/testname`. If a test is not present in this directory, then it may only be available as a 32-bit test. For more information refer to “32-Bit and 64-Bit Tests” on page 3.

---

---

## ifptest Test Modes

**TABLE 23-3** ifptest Test Modes

Test Mode	Supported?	Description
Connection	Yes	Performs only an open/close operation.
Functional (Offline)	Yes	Runs the full set of mailbox tests.
Functional (Online)	Yes	Runs the full set of mailbox tests.

---

**Note** – Connection test mode will only open the controller to verify that the path is still viable.

---

---

## ifptest Error Messages

**TABLE 23-4** ifptest Error Messages

Error Message	Probable Cause(s)	Recommended Action
6000 Mailbox loopback failed	FC_AL board, system software.	Replace FC_AL board. If the problem persists, contact your authorized Sun service provider.
6001 Error parsing command line options	Error in command line.	Check your command line and re-enter it if necessary.
6002 Can not associate device with <i>string</i> .	New hardware added since VTS probe or system software.	Stop all testing and re-probe. If the problem persists, contact your authorized Sun service provider.

**TABLE 23-4** ifptest Error Messages (Continued)

	<b>Error Message</b>	<b>Probable Cause(s)</b>	<b>Recommended Action</b>
6003	FW Stop command returned <i>data</i> , expected 0.	IFP firmware or a system software.	Reload IFP firmware. If the problem persists, contact your authorized Sun service provider.
6004	Command # <i>data</i> (cmd= <i>value</i> ) did not successfully complete, status: Obs 0x <i>value</i> , Exp 0x <i>value</i>	IFP firmware or a system software.	Reload IFP firmware. If the problem persists, contact your authorized Sun service provider.
6005	Chained command number <i>data</i> failed to complete.	IFP firmware or a system software.	Reload IFP firmware. If the problem persists, contact your authorized Sun service provider.
6006	<i>data</i> errors were observed during this cycle.		
6007	Command chain aborted: <i>data</i> commands queued, <i>data</i> commands run		
6008	Command Issued: mbox[0]=0x <i>value</i> , mbox[1]=0x <i>value</i> , mbox[2]=0x <i>value</i> , mbox[3]=0x <i>value</i> , mbox[4]=0x <i>value</i> , mbox[5]=0x <i>value</i> , mbox[6]=0x <i>value</i> , mbox[7]=0x <i>value</i>		
6009	Result Mboxes: mbox[0]=0x <i>value</i> , mbox[1]=0x <i>value</i> , mbox[2]=0x <i>value</i> , mbox[3]=0x <i>value</i> , mbox[4]=0x <i>value</i> , mbox[5]=0x <i>value</i> , mbox[6]=0x <i>value</i> , mbox[7]=0x <i>value</i>		
6010	HCCR=0x <i>value</i> , BUS_SEMA=0x <i>value</i> , ISR=0x <i>value</i> , ICR=0x <i>value</i> , CDMA_COUNT=0x <i>value</i> , CDMA_ADDR=0x <i>value</i>		



**TABLE 23-4** ifptest Error Messages (Continued)

	<b>Error Message</b>	<b>Probable Cause(s)</b>	<b>Recommended Action</b>
6011	CDMA_STATUS=0xvalue, CDMA_CONTROL=0xvalue, RDMA_COUNT=0xvalue, RDMA_ADDR=0xvalue, RDMA_STATUS=0xvalue, RDMA_CONTROL=0xvalue		
6012	TDMA_COUNT=0xvalue, TDMA_ADDR=0xvalue, TDMA_STATUS=0xvalue, TDMA_CONTROL=0xvalue, RISC_PSR=0xvalue, RISC_IVR=0xvalue		
6013	RISC_REGS: RR0=0xvalue, RR1=0xvalue, RR2=0xvalue, RR3=0xvalue, RR4=0xvalue, RR5=0xvalue, RR6=0xvalue, RR7=0xvalue		
6014	RISC_REGS: RR8=0xvalue, RR9=0xvalue, RR10=0xvalue, RR11=0xvalue, RR12=0xvalue, RR13=0xvalue, RR14=0xvalue, RR15=0xvalue		
6015	RISC_PCR=0xvalue, RISC_RAR0=0xvalue, RISC_RAR1=0xvalue, RISC_LCR=0xvalue, RISC_PC=0xvalue, RISC_SP=0xvalue		
6016	REQUEST_IN=0xvalue, REQUEST_OUT=0xvalue, RESPONSE_IN=0xvalue, RESPONSE_OUT=0xvalue		
6017	CURRENT_REQ_PTR=0xvalue, BASE_REQ_PTR=0xvalue, CURRENT_RESP_PTR=0xvalue, BASE_RESP_PTR=0xvalue		
6018	Interface at string is currently not testable, there may be devices attached.		
6019	Bad option passed to test: <i>string</i>		

**TABLE 23-4** ifptest Error Messages (Continued)

	<b>Error Message</b>	<b>Probable Cause(s)</b>	<b>Recommended Action</b>
6020	No device detected for <i>ifpdata</i>		
6021	Cannot associate an IFP device with <i>string</i> .		
6021	No IFP devices detected on this system.		
8000	<i>string</i> : invalid file descriptor <i>data</i> passed in.	Programming error or system software.	If the problem persists, contact your authorized Sun service provider.
8001	<i>string</i> : IOCTL call failed: <i>string</i> .	Wrong or missing IFP driver.	Contact your system administrator to load correct driver. If the problem persists, contact your authorized Sun service provider.
8002	<i>string</i> : Firmware checksum failed, Rec: <i>value</i> , Exp: 0x0	Unsupported or bad firmware loaded or bad ifp controller.	Load the correct IFP driver. If the problem persists, contact your authorized Sun service provider.
8003	<i>string</i> : Get Revision mailbox command failed, return code 0x <i>value</i> .	Incorrect ifp firmware loaded or a system software problem.	Load the correct IFP driver. If the problem persists, contact your authorized Sun service provider.
8004	Bad device name passed to test: <i>string</i>	Wrong entry on command line.	Check and retype the command line. If the problem persists, contact your authorized Sun service provider.
8005	Bad option passed to test: <i>string</i>	Wrong entry on command line.	Check and retype the command line If the problem persists, contact your authorized Sun service provider.
8006	Open of IFP device <i>string</i> failed; <i>string</i>	System software problem.	Contact your system administrator. If the problem persists, contact your authorized Sun service provider.
8007	Open of /etc/path_to_inst file failed; <i>string</i>	System software problem.	Contact your system administrator. If the problem persists, contact your authorized Sun service provider.
8008	Get firmware revision IOCTL failed: <i>string</i>	System software problem.	Contact your system administrator. If the problem persists, contact your authorized Sun service provider.

**TABLE 23-4** ifptest Error Messages (Continued)

	<b>Error Message</b>	<b>Probable Cause(s)</b>	<b>Recommended Action</b>
8009	Device <i>string</i> is untestable, devices attached to loop	Devices attached to controller or a system software problem.	Remove interface connections and try again.
8010	Open ctrlr string as RDWR failed. Reason: <i>string</i>	Device name incorrect (command line only), or a system software problem.	Check and re-enter the command line. If the problem persists, contact your authorized Sun service provider.
8011	Device string is untestable, reason: <i>string</i>	Device name is incorrect (command line only), or the wrong driver is installed or a system software problem.	Check and re-enter the command line. Verify that the correct driver is installed. If problem persists, contact your authorized Sun service provider.



## Dual Basic Rate ISDN (DBRI) Chip (`isdntest`)

---

`isdntest` verifies the functionality of the ISDN portion of the Dual Basic Rate ISDN (DBRI) chip.

---

### `isdntest` Subtests

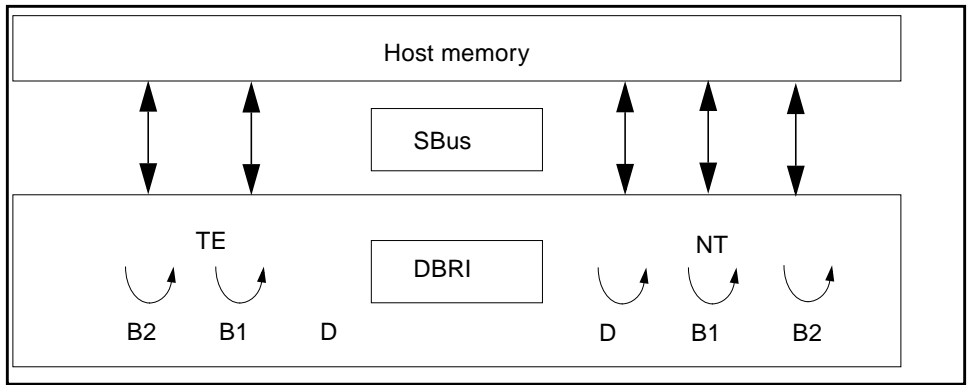
`isdntest` is actually a set of several subtests. Three main channels exist within an ISDN: D, B1 and B2. Each channel runs as an independent thread. In each of the following subtests (unless otherwise indicated), the settings are as follows:

**CODE EXAMPLE 24-1** `isdntest` Channel Settings

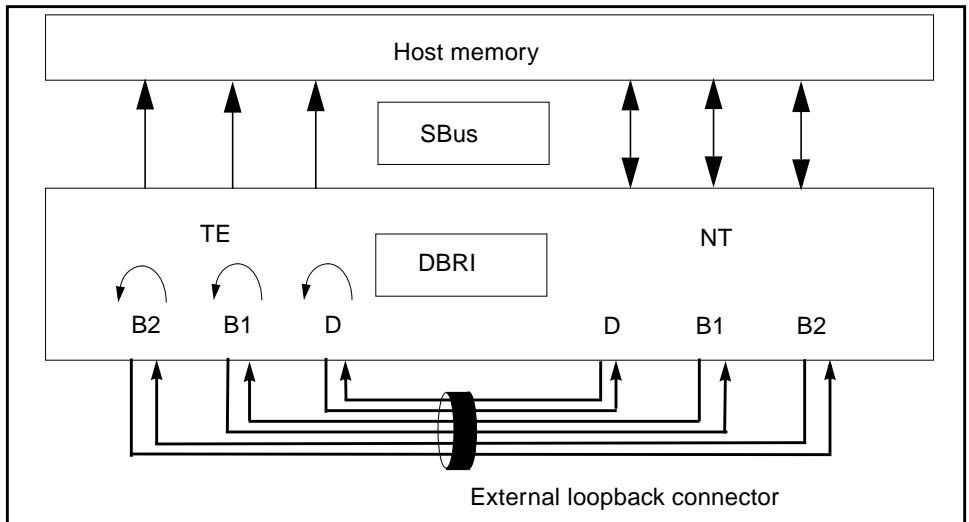
Channel	Data Mode	Packet Size	Packet Count
D	Basic Rate HDLC	256 bytes	10 packets
B1	56-kbps HDLC	1024 bytes	10 packets
B2	64-kbps HDLC	1024 bytes	10 packets

**TABLE 24-1** isdntest Subtests

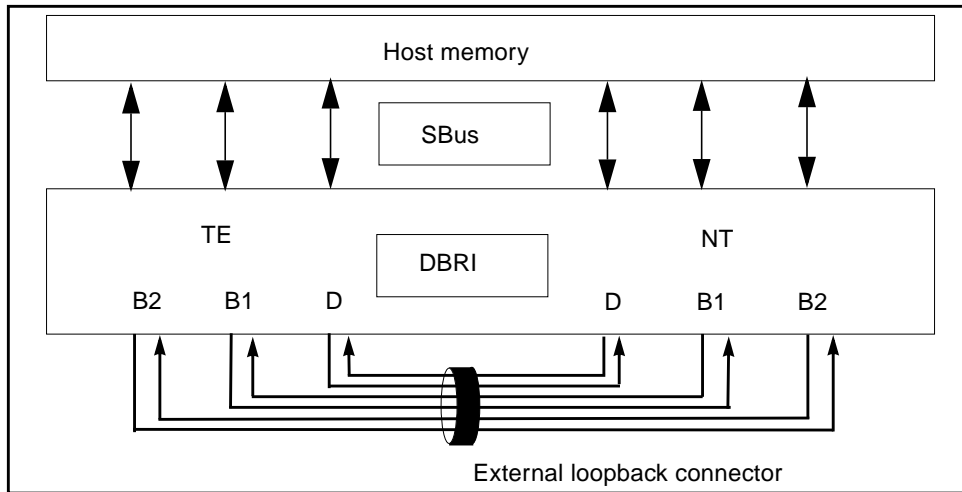
<code>isdntest</code> Subtests	Description
Local Loopback test	The local loopback test checks the initial activation state of the Network Termination (NT) and Terminal Equipment (TE) interfaces to make sure they are deactivated. Then it activates each interface using the “force activation” capability of DBRI. Each interface is put into local loopback mode. Data residing in host memory is written to each interface, which loops the data back to itself. The data is then read back into host memory and verified. Each channel—D, B1, and B2—is tested (with the exception of the TE D channel, which cannot be tested in local loopback mode). The local loopback test runs internal to the DBRI chip and does not require an NT-to-TE external loopback connector.
Activation/Deactivation test	The Activation/Deactivation test runs through the Activation/Deactivation sequence for the NT and then the activation sequence for the TE. The T101 and T103 timers are set to five seconds. This subtest requires an NT-to-TE external loopback connector.
Remote Loopback test	The remote loopback capability is tested next. The TE interface is put into remote loopback mode, and the NT transmits data to the TE on all three channels, D, B1 and B2. The TE loops all data back to the NT and reads a copy of it. Data is then verified. Next, the whole process is repeated with the TE transmitting to the NT, which is placed in remote loopback mode. This subtest requires an NT-to-TE external loopback connector.
Read/Write test	Next, the Read/Write test is performed on all six ISDN channels: TE D, TE B1, TE B2, NT D, NT B1, and NT B2. The external loopback connector connects each channel on the TE interface to its corresponding channel on the NT. A unique data pattern is used for each path. Packets read are compared against packets written. The test is repeated with the B1 channels placed in 64-kbps HDLC data mode and the B2 channels in 56-kbps HDLC data mode. This subtest requires an NT-to-TE external loopback connector.
Packet Size test	The next subtest is the Packet Size test. A read/write test, similar to the previous one, is performed with a packet count of 100. Each packet transmitted and received is a unique size, computed randomly. This subtest requires an NT-to-TE external loopback connector.
Data Path test	The last subtest is the Data Path test. Using the <code>ISDN_SET_CHANNEL ioctl</code> , data is routed through a series of short pipe interconnects within DBRI. This subtest requires an NT-to-TE external loopback connector.



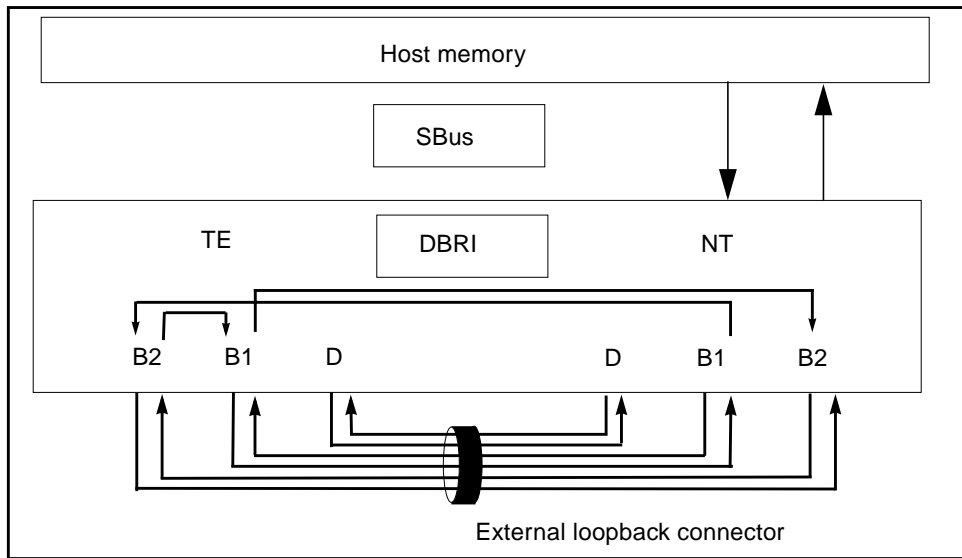
**FIGURE 24-1** *isdntest* Local Loopback Subtest



**FIGURE 24-2** *isdntest* Remote Loopback Subtest



**FIGURE 24-3** isdntest Read/Write Subtest



**FIGURE 24-4** isdntest Data Path Subtest



# isdntest Options

To reach the dialog box below, right-click on the test name in the System Map and select Test Parameter Options. If you do not see this test in the System Map, you might need to expand the collapsed groups, or your system may not include the device appropriate to this test. Refer to the *SunVTS User's Guide* for more details.

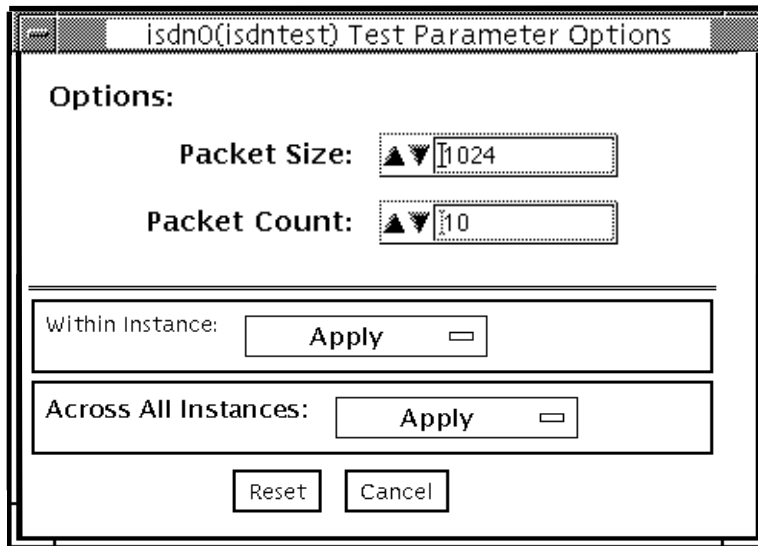


FIGURE 24-5 isdntest Test Parameter Options Dialog Box

TABLE 24-2 isdntest Options

isdntest Options	Description
Packet Size	The byte size of the B channel packets. The default size is 1024 bytes for the B channels and 256 for the D channels. The maximum packet size is 8186 bytes for the B channels, and the minimum packet size is 1 byte. The D channel packet size is set to 256, except during the packet size test, when it is set to random values between 1 and 256.
Packet Count	Number of packets to be transmitted and received for all channels. The default packet count is 10 packets. The maximum packet count is 100 packets.

---

# isdntest Test Modes

**TABLE 24-3** isdntest Test Modes

Test Mode	Supported?	Description
Connection	No	Not supported
Functional (Offline)	Yes	Runs the full set of tests
Functional (Online)	No	Not supported

---

# isdntest Command Line Syntax

```
/opt/SUNWvts/bin/isdntest standard_arguments -o size=packet_size,  
count=packet_count
```

**TABLE 24-4** isdntest Command Line Syntax

Argument	Explanation
<b>size=packet_size</b>	The byte size of the B channel packets. The B channel default size is 1024 bytes. The D channel default size is 256 bytes. The B channel maximum packet size is 8186 packets. The B channel minimum packet size is 1 packet. The D channel packet size is 256 (except during the packet size test, when it is set to random values between 1 and 256).
<b>count=packet_count</b>	Number of packets to be transmitted and received for all channels. The default count is 10 packets. The maximum packet count is 100 packets.

---

**Note** – 64-bit tests are located in the `sparcv9` subdirectory: `/opt/SUNWvts/bin/sparcv9/testname`. If a test is not present in this directory, then it may only be available as a 32-bit test. For more information refer to “32-Bit and 64-Bit Tests” on page 3.

---

# isdntest Error Messages

**TABLE 24-5** isdntest Error Messages

	<b>Error Message</b>	<b>Probable Cause(s)</b>	<b>Recommended Action</b>
6000	ISDN_PARAM_SET ioctl failed for <i>device_name</i> . ( <i>error_message</i> )		
6001	ISDN_SET_LOOPBACK ioctl failed for <i>device_name</i> . ( <i>error_message</i> )		
6002	ISDN_RESET_LOOPBACK ioctl failed for <i>device_name</i> . ( <i>error_message</i> )		
6003	ISDN_SET_CHANNEL ioctl() failed for <i>device_name</i> . ( <i>error_message</i> )		
6004	Unable to open <i>device_name</i> . ( <i>error_message</i> )		
6005	poll() failed. ( <i>error_message</i> )		
6006	Invalid packet size: S= <i>number</i> . Max is <i>number</i>		
6007	Invalid packet count: C= <i>number</i> . Max is <i>number</i>		
6008	ISDN_SET_FORMAT, ioctl() failed for ISDN_CHAN_TE_D during <i>device_name</i> . ( <i>error_message</i> )		
6009	ISDN_SET_FORMAT, ioctl() failed for ISDN_CHAN_NT_D during <i>device_name</i> . ( <i>error_message</i> )		
6010	ISDN_SET_FORMAT, ioctl() failed for ISDN_CHAN_TE_B1 during <i>device_name</i> . ( <i>error_message</i> )		
6011	ISDN_SET_FORMAT, ioctl() failed for ISDN_CHAN_NT_B1 during <i>device_name</i> . ( <i>error_message</i> )		

**TABLE 24-5** isdntest Error Messages (Continued)

	<b>Error Message</b>	<b>Probable Cause(s)</b>	<b>Recommended Action</b>
6012	Mode is unknown: <i>number</i>		
6013	ISDN_SET_FORMAT, ioctl() failed for ISDN_CHAN_TE_B2 during <i>device_name</i> . ( <i>error_message</i> )		
6014	ISDN_SET_FORMAT, ioctl() failed for ISDN_CHAN_NT_B2 during <i>device_name</i> . ( <i>error_message</i> )		
6015	Unable to open <i>device_name</i> during <i>device_state</i> . ( <i>error_message</i> )		
6016	Unable to close <i>device_name</i> during <i>device_state</i> . File descriptor = <i>number</i> ( <i>error_message</i> )		
6017	Initial state of <i>string</i> is ISDN_ACTIVATED		
6018	Initial state of <i>string</i> is unknown: <i>number</i>		
6019	ISDN_PARAM_SET ioctl() <i>parameter</i> failed for <i>device_name</i> . ( <i>error_message</i> )		
6020	ISDN_ACTIVATION_STATUS ioctl() failed for <i>device_name</i> . ( <i>error_message</i> )		
6021	getmsg() failed. ( <i>error_message</i> )		
6022	Invalid message returned from getmsg()		
6023	<i>string</i> ioctl() failed for <i>device_name</i> . ( <i>error_message</i> )		
6024	\n <i>device_name</i> .\nTE state = <i>string</i> \tNT state = <i>string</i>		
6025	shmget() failed. ( <i>error_message</i> )		
6026	Initial state unknown: <i>number</i>		
6027	<i>string</i>		

## M64 Video Board Test (`m64test`)

---

`m64test` tests the PCI-based M64 video board by performing the following subtests:

- Video Memory test
- RAMDAC test
- Accelerator Port test



---

**Caution** – Do not run any other application or screen saver program that uses the M64 video board while running `m64test`. Do not run Power Management™ software. These programs cause SunVTS to return incorrect errors.

---

---

**Note** – Disable all screen savers before testing any graphics device. Type `xset s off` at a UNIX prompt to disable the Solaris screen saver. Disable Power Management software if it is running.

---

---

**Note** – *Do not* run Open Windows across multiple monitors.

---

---

**Note** – To start SunVTS with `vtsui`, but without `vtsk`, you must add the host name to `xhost` as: `xhost + hostname`.

---

## m64test Options

To reach the dialog box below, right-click on the test name in the System Map and select Test Parameter Options. If you do not see this test in the System Map, you might need to expand the collapsed groups, or your system may not include the device appropriate to this test. Refer to the *SunVTS User's Guide* for more details.

By default, all options are enabled except frame buffer locking.

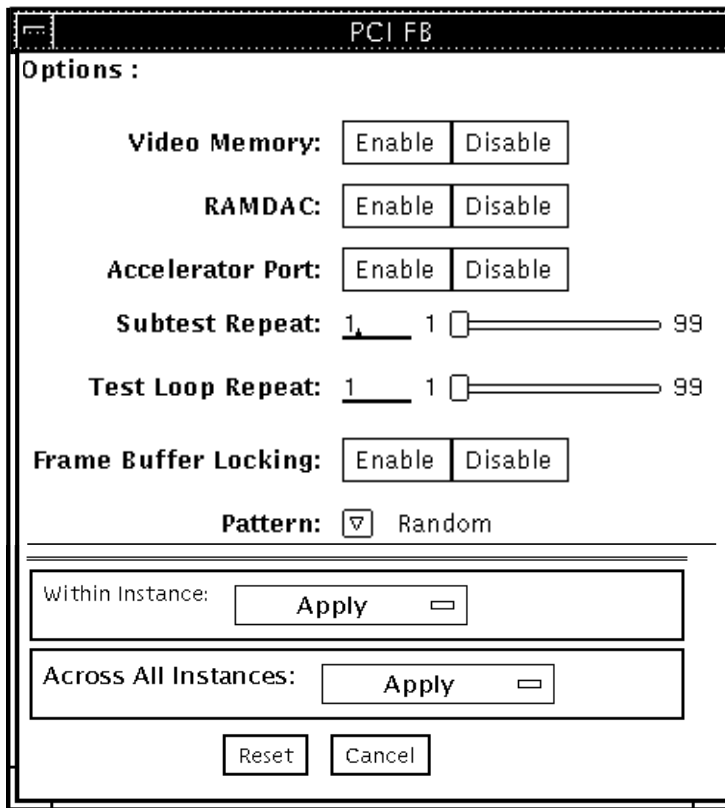


FIGURE 25-1 m64test Test Parameter Options Dialog Box

**TABLE 25-1** m64test Options

m64test Options	Description
Video Memory test	<p>Thoroughly tests the on-screen video memory (the memory part that is mapped on to the monitor) of the M64 video board in 8-bit, 16-bit, 32-bit, 64-bit, and 64 byte (block) modes. Entire on-screen video memory is tested by testing 512 bit blocks at a time (8x8 pixel block). Each block is tested in two passes. Each pass consists of a data write and read. In the first pass user specified data or random data is used and in the second pass one's complement of the data used in the first pass is used so that each on-screen video memory location (bit) is tested with a zero (electrical low state) and one (electrical high state).</p>
RAMDAC test	<p>Tests the RAMDAC in three phases. In the first phase the RAMDAC CLUT (Color LookUp Table) is tested using simple write/read patterns to determine if there are any bad bits in CLUT. The data patterns used are:</p> <ul style="list-style-type: none"><li>• Random data</li><li>• Complement of the random data (used as first data pattern)</li><li>• The data pattern 0101</li><li>• The data pattern 10101</li></ul> <p>In the second phase, four different patterns are drawn on the screen. Each pattern stays on the screen for approximately three seconds. The four patterns are listed below. For each pattern the signature is captured and compared with the signature obtained for the same pattern on a known good board. This test verifies that all the different data paths within the RAMDAC are functioning properly.</p> <p>Patterns drawn on screen:</p> <ul style="list-style-type: none"><li>• Red ramp with cursor at top-left corner of the screen</li><li>• Blue ramp with cursor at top-right corner of the screen</li><li>• Green ramp with cursor at bottom-left of the screen</li><li>• Grey ramp with cursor at bottom-right of the screen</li></ul> <p>In the last (third) phase of the RAMDAC test the Vertical Retrace Interrupt is tested for 300 interrupts.</p>

**TABLE 25-1** m64test Options

m64test Options	Description
Accelerator Port test	<p>Tests all of the following:</p> <ul style="list-style-type: none"> <li>• Data paths (sources: fixed color, host data, blit, fixed pattern)</li> <li>• Arithmetic and logic unit (ALU)</li> <li>• Color comparator</li> <li>• Primitives (destinations: line, rectangle)</li> <li>• Mono to color expansion logic</li> </ul> <p>Primitives are drawn using a combination of different data paths (allowed), ALU functions, and color comparator functions. A checksum is generated for each data combination and is compared with the checksum generated for the same data combination on a known good board.</p>
Frame Buffer Locking	<p>This option is set to <i>disable</i> if the M64 is not the console device. When Sunvts GUI is brought up FB Locking is enabled by default if M64 is console device. If M64 is not console device, FB Locking is disabled by default.</p>

## m64test Test Modes

Due to the nature of graphic tests, reading from or writing to the frame buffer during graphic tests will disturb user operation. This test is only available in the offline Functional test mode.

**TABLE 25-2** m64test Test Modes

Test Mode	Supported?	Description
Connection	No	Not supported
Functional (Offline)	Yes	The m64test verifies the M64 video board.
Functional (Online)	No	Not supported



---

# m64test Command-Line Syntax

`/opt/SUNWvts/bin/m64test standard_arguments -o dev=device_name, S=subtest_number,F=#_of_subtest_loops,B=#_of_test_loops,L=disable,P=test_pattern`

**TABLE 25-3** m64test Command-Line Syntax

Argument	Explanation
<code>dev=device_name</code>	<code>device_name</code> is the relative path name of the device being tested with respect to <code>/dev/fbs</code> . The default is <code>m640</code> .
<code>S=subtest_number</code>	<code>subtest_number</code> is the test number of the subtest to be run. Select from the subtests below. You can run multiple subtests by adding the subtest numbers. For example, <code>n=0x00003</code> runs both test 00001 and test 00002; <code>n=0x00005</code> runs both test 0x00001 and test 0x00004. Note that you do not need the leading zeros. <ul style="list-style-type: none"><li>• <code>n=0x00001</code> VRAM</li><li>• <code>n=0x00002</code> RAMDAC</li><li>• <code>n=0x00004</code> Accelerator port test (Rendering Pipeline)</li></ul> More than one test can be selected by ORing subtest numbers. For example: <code>n = 0x00005</code> means VRAM and Rendering Pipeline tests. A hex number must be preceded by <code>0x</code> , decimal numbers are also acceptable.
<code>F=#_of_subtest_loops</code>	Specifies the number of times to repeat each subtest. The default is 1.
<code>B=#_of_test_loops</code>	Specifies the number of times to repeat a test loop before passing; default is 1.
<code>L=disable</code>	Disables the frame buffer lock. Disable the lock when the m64 is not the console or when the server is not running on the m64 under test.
<code>P=test_pattern</code>	Specifies the test pattern number. The default is <code>r</code> , for random patterns. You may also choose <code>0</code> for <code>0x0000000</code> , <code>3</code> for <code>0x33333333</code> , <code>5</code> for <code>0x55555555</code> , or <code>9</code> for <code>0x99999999</code> .

---

**Note** – 64-bit tests are located in the `sparcv9` subdirectory: `/opt/SUNWvts/bin/sparcv9/testname`. If a test is not present in this directory, then it may only be available as a 32-bit test. For more information refer to “32-Bit and 64-Bit Tests” on page 3.

---

---

# m64test Error Messages

Errors returned by `m64test` are nonspecific. It is not possible to determine which component caused a failure. In all error conditions, the field replaceable unit (FRU) is the entire M64 video board. The errors messages are listed below, along with probable causes and recommended actions.

**TABLE 25-4** m64test Error Messages

Error Message	Probable Cause(s)	Recommended Action
6000 Out of memory	System error.	If problem persists, call your authorized Sun service provider.
6002 <i>string</i> error: Misaligned raster.	Software error.	If problem persists, call your authorized Sun service provider.
6003 Unable to open <i>string</i> .	Device not present.	Check for device presence.
	Device failure.	Replace device.
	Permission restrictions.	Check device permissions.
6004 ioctl(2) Error in loading the Frame Buffer structure fbtype.	IOCTL call to driver failure.	Try replacing device.
	Device failure.	Call your authorized Sun service provider.
6005 ioctl(2) Error in loading the Original Color Map Values.	IOCTL call to driver failure.	Try replacing device.
	Device failure.	Call your authorized Sun service provider.
6006 ioctl(2) Error in Setting the Cursor Values.	IOCTL call to driver failure.	Try replacing device.
	Device failure.	Call your authorized Sun service provider.
6007 ioctl(2) Error in loading the GXInfo Structure fbtype.	IOCTL call to driver failure.	Try replacing device.
	Device failure.	Call your authorized Sun service provider.
6008 <i>string</i> (1-byte access) error: x/y ( <i>data</i> ) Expected 0x%02x, Actual 0x%0 2x, Xor 0x%02x.	Device failure.	Replace device.
		Call your authorized Sun service provider.

**TABLE 25-4** m64test Error Messages (Continued)

	<b>Error Message</b>	<b>Probable Cause(s)</b>	<b>Recommended Action</b>
6009	<i>string</i> (2-byte access) error: x/y ( <i>data, data</i> ) Expected 0x%04x, Actual 0x%0 4x, Xor 0x%04x.	Device failure.	Replace device.  Call your authorized Sun service provider.
6010	<i>string</i> (4-byte access) error: x/y ( <i>data, data</i> ) Expected 0x%08x, Actual 0x%0 8x, Xor 0x%08x.	Device failure.	Replace device.  Call your authorized Sun service provider.
6011	<i>string</i> (8-byte access) error: x/y ( <i>data, data</i> ) Expected 0x%08x, Actual 0x%0 8x, Xor 0x%08x.	Device failure.	Replace device.  Call your authorized Sun service provider.
6012	<i>string</i> (64-byte access) error: x/y ( <i>data, data</i> ) Expected 0x%08x, Actual 0x% 08x, Xor 0x%08x.	Device failure.	Replace device.  Call your authorized Sun service provider.
6013	Error in Allocating Memory mmap call Failure.	System error.	If problem persists, call your authorized Sun service provider.
6014	Error in DeAllocating Memory unmap call Failure.	System error.	If problem persists, call your authorized Sun service provider.
6015	ioctl(2) failed trying to turn on M64 video.	IOCTL call to driver failure. <hr/> Device failure.	Replace device.  Call your authorized Sun service provider.
6016	ioctl(2) failed trying to post CLUT.	IOCTL call to driver failure. <hr/> Device failure.	Replace device.  Call your authorized Sun service provider.
6017	ioctl(2) failed trying to read CLUT.	IOCTL call to driver failure. <hr/> Device failure.	Replace device.  Call your authorized Sun service provider.

**TABLE 25-4** m64test Error Messages (Continued)

Error Message	Probable Cause(s)	Recommended Action
6018 Miscompare found in Red channel of CLUT entry <i>data</i> . Expected 0x%02x, Observed 0x%02x, XOR 0x%02x.	RAMDAC failure. Device failure.	Replace device. Call your authorized Sun service provider.
6019 Miscompare found in Green channel of CLUT entry <i>data</i> . Expected 0x%02x, Observed 0x%02x, XOR 0x%02x.	RAMDAC failure. Device failure.	Replace device. Call your authorized Sun service provider.
6020 Miscompare found in Blue channel of CLUT entry <i>data</i> . Expected 0x%02x, Observed 0x%02x, XOR 0x%02x.	RAMDAC failure. Device failure.	Replace device. Call your authorized Sun service provider.
6021 RAMDAC test screen CRC signature error message. Monitor type <i>data</i> , Cursor Position <i>data</i> , Expected Signature 0x <i>value</i> , Actual Signature 0x <i>value</i>	Device failure.	Call your authorized Sun service provider.
6022 sysinfo(2) failed getting hostname.	No system permissions.	Become superuser. If problem persists, call your authorized Sun service provider.
6023 Can't acquire console semaphore	System error.	If problem persists, call your authorized Sun service provider.
6024 Cannot gain control of mouse: <i>string</i>	System error.	If problem persists, call your authorized Sun service provider.
6025 Cannot gain control of keyboard: <i>string</i>	System error.	If problem persists, call your authorized Sun service provider.
6026 Already grabbed by another client		Try stopping other similar actions. If problem persists, call your authorized Sun service provider.

**TABLE 25-4** m64test Error Messages (Continued)

	<b>Error Message</b>	<b>Probable Cause(s)</b>	<b>Recommended Action</b>
6027	Grabbed at invalid time	System error.	If problem persists, call your authorized Sun service provider.
6028	Grab window is not viewable		If problem persists, call your authorized Sun service provider.
6029	Pointer/keyboard is frozen		If problem persists, call your authorized Sun service provider.
6030	Unknown cause		If problem persists, all your authorized Sun service provider.
6031	ioctl(2) failed trying to get current video mode.	<u>IOCTL call to driver failure.</u> Device failure.	Replace device. Call your authorized Sun service provider.
6032	ioctl(2) failed trying to set current video mode.	<u>IOCTL call to driver failure.</u> Device failure.	Replace device. Call your authorized Sun service provider.
6033	ioctl(2) failed trying to get M64 system info.	<u>IOCTL call to driver failure.</u> Device failure.	Replace device. Call your authorized Sun service provider.
6034	mmap(2) failed: <i>string</i> .	System error.	If problem persists, all your authorized Sun service provider.
6035	munmap(2) failed: <i>string</i> .	System error	If problem persists, all your authorized Sun service provider.
6036	close(2) failed: <i>string</i> .	System error.	If problem persists, all your authorized Sun service provider.
6045	Can't access X Windows	<u>Permission denial from Host.</u> System error. X Server is not running.	Run xhost(1). If X server is not running, run X server.  If problem persists, all your authorized Sun service provider.

**TABLE 25-4** m64test Error Messages (Continued)

Error Message	Probable Cause(s)	Recommended Action
6046 wait(2) failed: <i>string</i>	System error.	If problem persists, all your authorized Sun service provider.
6047 signal(2) failed: <i>string</i>	System error.	If problem persists, all your authorized Sun service provider.
6048 ioctl(2) Error in vertical retrace test.	IOCTL call to driver failure. Device failure.	Replace device. Call your authorized Sun service provider.
6049 Can't open display	Permission denial from Host. System error. X Server is not running.	Run xhost(1). If X server is not running, run X server. If problem persists, call your authorized Sun service provider.
6050 m64 open file failed Could not open the signature file <i>string: string</i>	No file permission or file does not exist.	Check the file permissions. If problem persists, call your authorized Sun service provider.
6051 m64 FTRUNCATE failed in checker. Accelerator could not extend or truncate the signature file.	Insufficient disk space.	Create more space by deleting unnecessary files. If problem persists, call your authorized Sun service provider.
6052 m64 close failed in checker. Accelerator could not close signature file.	System error.	If problem persists, call your authorized Sun service provider.
6053 m64 check error in checker	Device failure.	Replace device. If problem persists, call your authorized Sun service provider.
6054 m64 ROP test failed	Device failure.	Replace device. If problem persists, call your authorized Sun service provider.

**TABLE 25-4** m64test Error Messages (Continued)

	<b>Error Message</b>	<b>Probable Cause(s)</b>	<b>Recommended Action</b>
6055	m64 IOCTL fails FBIOPUTCMAP Error while putting color map.	Device failure.	Check software installation.  Replace device.  If problem persists, call your authorized Sun service provider.
6056	m64 IOCTL fail FBIOGETCMAP. Error while getting color map. IOCTL call to deriver failure	Device failure.	Check software installation.  Replace device.  If problem persists, call your authorized Sun service provider.
6057	Internal error Mon XLATOR Internal error occurred while translating monitor type to index into signature file	Monitor types are modified.	If problem persists, call your authorized Sun service provider.





## Multiprocessor Test (mptest)

---

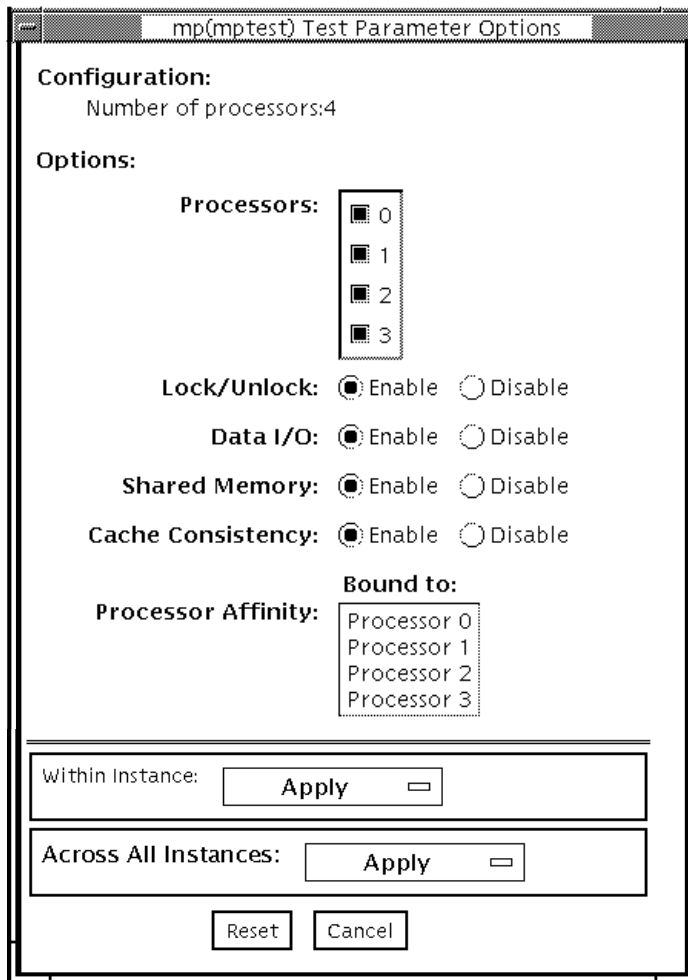
`mptest` verifies the functionality of multiprocessing hardware. This test allocates a page of virtual memory for the test—declaring the page shared—locks the page against swapping, and creates threads to each of the processors being tested. Up to 1024 processors can be tested by `mptest` in a CPU.

The *processor mask* argument can be used during test probing. The `mptest` verifies that the current processor mask matches the argument you entered in the command line or from the GUI/TTYUI.

---

### mptest Options

To reach the dialog box below, right-click on the test name in the System Map and select Test Parameter Options. If you do not see this test in the System Map, you might need to expand the collapsed groups, or your system may not include the device appropriate to this test. Refer to the *SunVTS User's Guide* for more details.



**FIGURE 26-1** mptest Test Parameter Options Dialog Box

The processors that can be tested are listed in the Configuration area of the menu. You can enable or disable the multiprocessing test for individual processors on this menu.

The options listed in Table 17-1 can be run alone or concurrently with other options.

**TABLE 26-1** `mptest` Options

<b>mptest Options</b>	<b>Description</b>
Processors	<p>You can test specific processors by clicking SELECT on the check boxes to enable or disable each processor. A check mark means the processor is enabled for testing. The default setting is all processors enabled.</p> <p>Note: <code>mptest</code> requires at least two enabled processors to test multiprocessing systems.</p>
Lock/Unlock	<p>Tests the lock/unlock mechanism that guarantees exclusive access to a physical page to one processor. A thread is created at each of the processors. Each processor uses the SPARC atomic instruction <code>ldstub</code> to write to the same shared physical memory page. While one processor is attempting the write, the other processors should be free spinning for their turn. As each processor acquires the lock, it writes an ordinal number to a shared trace buffer using a shared write pointer. After the test cycle is complete, the trace buffer is dumped for analysis.</p> <p>This test fails and returns an error message if the trace buffer does not contain an equal number of ordinal numbers for each processor. For example, if the specified loop count is 5, the trace buffer should contain five 0s, five negative 1s, five 2s, and so on.</p>

**TABLE 26-1** `mptest` Options (Continued)

<b>mptest Options</b>	<b>Description</b>
Data I/O	Requires two or more threads, each of which locks onto one of the processors. Each processor, in turn, writes data to a temporary file that has been mapped to the physical address. The modified data is immediately read by other processors being tested. This test hangs and fails if the processors do not recognize the expected data.
Shared Memory	<p>A shared memory buffer is divided into a number of contiguous chunks, one for each of the CPUs participating in the test. Each CPU is assigned a unique chunk based upon its ID (1-N). This subtest has two parts.</p> <p>First, each CPU locks and writes data to its data chunk. Identical data is written for each CPU. Then each CPU reads and compares the information on its data chunk with that of another CPU. If two CPUs do not confirm consistent data, the test fails and returns an error message. If that happens, testing stops and this test is run again in verbose mode to return more detailed information.</p>
Cache Consistency	<p>Requires two or more processors to access and write to the same physical address. This test verifies that a change in physical address by one processor is confirmed by another.</p> <p>If two processors do not confirm consistent data, the test continues to run, but the Pass Count in the SunVTS status window stops incrementing. If this happens, stop testing and run the test again in verbose mode for a more detailed picture of the problem.</p>

---

# mptest Test Modes

TABLE 26-2 mptest Test Modes

Test Mode	Supported?	Description
Connection	Yes	Checks the current processors on the system with the original processor mask. An error is reported if the two values do not match. The original processor mask is set during probing, which shows the processors on system during the probe. The status of each selected processor is checked by <code>procesor_bind</code> .
Functional (offline)	Yes	This test mode verifies that the current processor mask is the same as that from the command line, or the same as that from the GUI/TTYUI.
Functional (online)	Yes	This test verifies that the current processor mask is the same as that from the command line, or the same as that from the GUI/TTYUI.

---

# mptest Command-Line Syntax

```
/opt/SUNWvts/bin/mptest standard_arguments  
-o M=0+1+2+3...,NL,ND,NS,NC,omask=hexidecimal_number
```

TABLE 26-3 mptest Command-Line Syntax

Arguments	Description
<b>NL</b>	Disables the Lock/Unlock subtest.
<b>ND</b>	Disables the Data I/O subtest.
<b>NS</b>	Disables the Shared Memory subtest.
<b>NC</b>	Disables the Cache Consistency subtest.
<b>M=0+1+2+3...</b>	Use <i>0, 1, 2</i> to specify the processors to test.
<b>omask=hexidecimal_number</b>	Original mask of processors. Bit 0 represents processor 0 and bit 1 represents processor 1. For example, 03333320.

---

**Note** – 64-bit tests are located in the `sparcv9` subdirectory: `/opt/SUNWvts/bin/sparcv9/testname`. If a test is not present in this directory, then it may only be available as a 32-bit test. For more information refer to “32-Bit and 64-Bit Tests” on page 3.

---

## mptest Error Messages

**TABLE 26-4** mptest Error Messages

	<b>Error Message</b>	<b>Probable Cause(s)</b>	<b>Recommended Action</b>
6000	<code>mp lock failed</code>	Faulty processor.	If the problem persists, call your authorized Sun service provider.
6001	All subtests are disabled	Parameter error.	Enable at least one subtest.
6002	<code>thr_setconcurrency error</code>	System load is too heavy. System error.	Reduce the system load. If the problem persists, call your authorized Sun service provider.
6003	Error in creating threads: <i>name</i>	System load is too heavy. System error.	Reduce the system load. If the problem persists, call your authorized Sun service provider.
6004	<code>thr_join()</code> thread <i>number</i> error status: <i>number</i>	System load is too heavy. System error.	Reduce the system load. If the problem persists, call your authorized Sun service provider.
6005	Processor Mask Error: Expect <i>number</i> Was <i>number</i>	Some processors are disappeared from processor mask.	If the problem persists, call your authorized Sun service provider.
6006	Failed in system call <code>uadmin</code> , <code>errno = number</code> , <code>sys_errlist = name</code>	System load is too heavy. System error.	Reduce the system load. If the problem persists, call your authorized Sun service provider.
6007	Failed in function <code>getnextbitmsk!</code>	System error.	If the problem persists, call your authorized Sun service provider.
6008	Processor Mask Error: check mask <i>number</i> cpu mask <i>number</i>	Some processors disappeared from the processor mask.	If the problem persists, call your authorized Sun service provider.

**TABLE 26-4** mptest Error Messages (Continued)

	<b>Error Message</b>	<b>Probable Cause(s)</b>	<b>Recommended Action</b>
6009	Failed to get shared memory, err = <i>name</i>	System load is too heavy. System error.	Reduce the system load. If the problem persists, call your authorized Sun service provider.
6010	Failed to create shared memory, err = <i>name</i>	System load is too heavy. System error.	Reduce the system load. If the problem persists, call your authorized Sun service provider.
6011	Shared Memory Subtest: Processor <i>number</i> , Processor <i>number</i> , *curr_add <i>number</i> curr_addr <i>number</i> , cpu_mask <i>number</i> failed	System load too heavy. System error.	Reduce the system load. If the problem persists, call your authorized Sun service provider.
6014	Failed on read & compare: Processor <i>number</i> , read= <i>number</i> , exp= <i>number</i>		
6016	Not a MP system!	Faulty Processor. Do not run mptest on this system.	
8000	Failed to open <i>name</i>	Not enough disk space. Permission error. System error.	Allocate disk space. Check directory/file permissions. If the problem persists, call your authorized Sun service provider.
8001	Failed to create a page	System load too heavy. System error.	Reduce the system load. If the problem persists, call your authorized Sun service provider.
8002	mmap address space to device	System load too heavy. System error.	Reduce the system load. If the problem persists, call your authorized Sun service provider.
8003	mlock error. <i>name</i>	Processor error.	Isolate the bad processor.
8005	All subtests are disabled	Parameter error: No subtest is selected.	Re-enter command line correctly. Select at least one subtest.
8006	Can not run mptest! You need to enable at least two processors	Parameter error You have selected less than two processors for testing.	Re-enter command line correctly. Select at least two processors.

**TABLE 26-4** mptest Error Messages (Continued)

	<b>Error Message</b>	<b>Probable Cause(s)</b>	<b>Recommended Action</b>
8008	alloc error: <i>error_message</i>	System load too heavy or system error.	Reduce the system load. If the problem persists, call your authorized Sun service provider.
8010	CPU number <i>number</i> : Expected ID <i>number</i> , was <i>number</i>	Some processors do not appear in the processor mask.	If the problem persists, call your authorized Sun service provider.
8014	Processor <i>number</i> is not online or does not exist	Non-existent processor was specified on the command line. Processor selected is off-line.	Check the command line and option file. If the problem persists, contact your authorized Sun service provider.



## Network Hardware Test (`nettest`)

---

`nettest` checks all the networking hardware on the system CPU board and separate networking controllers (for example, a second SBus Ethernet controller). For this test to be meaningful, the machine under test must be attached to a network with at least one other system on the network.

---

**Note** – This version of `nettest` is used for *all* networking devices, including Ethernet (`ie` and `le`), token ring (`tr`, `trp`), quad Ethernet (QED), fiber optic (`fddi`, `nf`, `bf`, `pf`), SPARCcluster™ 1 system (`em`), ATM (`sa`, `ba`), HiPPI, and 100-Mbits per second Ethernet (`be`, `hme`) devices.

---

The `nettest` mainly uses the Internet Control Message Protocol (ICMP), and requires at least two machines on a network—the machine under test and another machine reliable enough to be a test target. Both machines must support the transport control protocol/interface program (TCP/IP) (ICMP is part of TCP/IP). The target machine must either be configured to respond to ICMP broadcast or to RPC broadcast.

First `nettest` determines the target machine(s) to test against. If no targets are specified, it sends an ICMP broadcast to find them. If it fails to find all necessary targets, it tries RPC broadcast to the RPC port mapper daemon. If you specify the targets, `nettest` uses the specified target(s) instead.

After finding the necessary targets, `nettest` performs the following tests:

- `Random test` sends out 256 packets with random data length and random data.
- `Incremental test` sends out packets with length from minimum to maximum packet size using incremental data. (Minimum and maximum values differ for each device.)
- `Pattern test` sends 256 packets of maximum length, where each packet contains one test pattern, and all byte patterns (0 to 0xFF hex) are used. That is, the first packet contains pattern 0, the second packet contains pattern 1, and so on, until the last packet pattern of 0xFF.

---

**Note** – `nettest` is a scalable test. However, the maximum number of networked devices allowed on a system is 255, and the number of instances for each device is limited to 200. So, if you start the SunVTS exerciser using the `-i` option to specify a default number of instances for all tests, `nettest` cannot assign more than 200 instances per each networked device.

---

---

## nettest Options

To reach the dialog box below, right-click on the test name in the System Map and select Test Parameter Options. If you do not see this test in the System Map, you might need to expand the collapsed groups, or your system may not include the device appropriate to this test. Refer to the *SunVTS User's Guide* for more details.

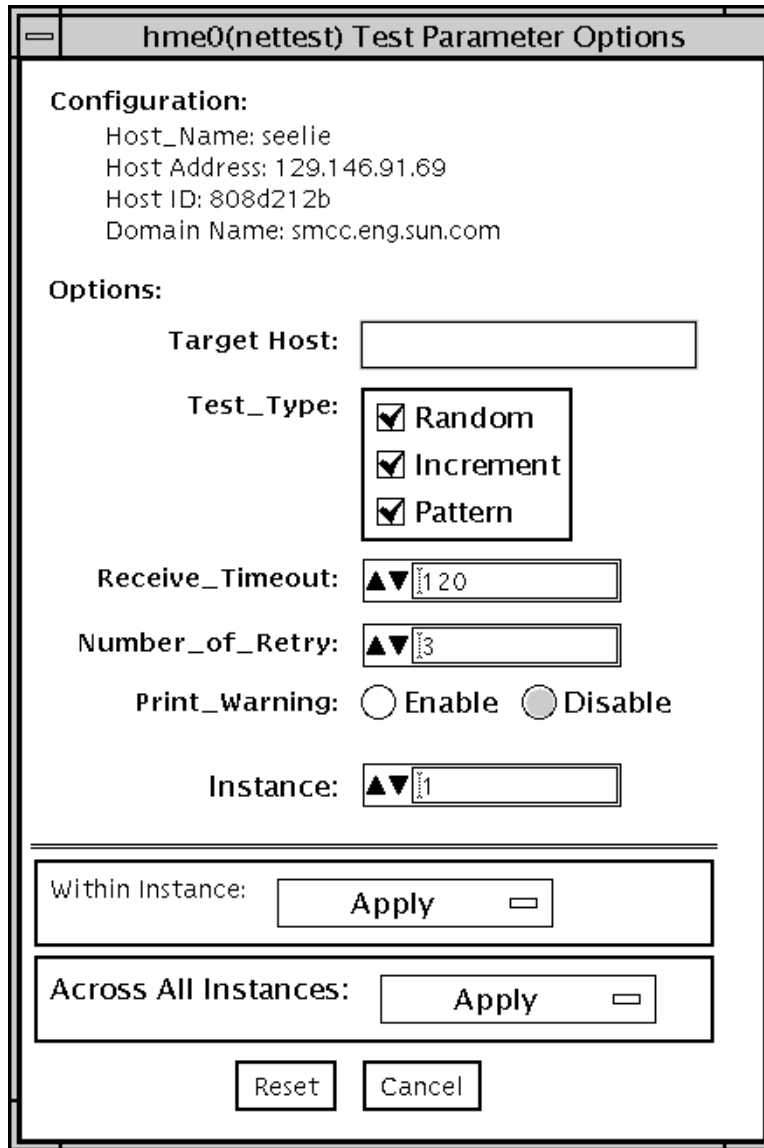


FIGURE 27-1 nettest Test Parameter Options Dialog Box

The Configuration section specifies the host name, host ID, host address, and domain name of the system being tested.

**TABLE 27-1** nettest Options

nettest Options	Description
Target Host	Specifies one or more targets to be tested against. Target host entries can be either a host name or an Internet address. When no target host is specified, the test finds necessary targets through broadcasting. The default setting leaves this field empty.
Receive Timeout field	The default is 120 seconds, but can be changed. Use a range between 0 - 600 seconds.
Number of Retries field	The default number of retries before flagging an error is three, but can be changed. Use a range between 0 to 128 retries.
Print Warning	Disabled by default. Click Enable to see warning errors, such as retry on timeout.

## nettest Test Modes

All three modes are supported by nettest. Different test schemes are performed on the network device based on the mode selected.

**TABLE 27-2** nettest Test Modes

Test Mode	Supported?	Description
Connection	Yes	Checks whether the device is connected. It searches through all the network interfaces for a specified device name. If nettest does not find the device connected the test fails, otherwise it returns: device is connected.
Functional (offline)	Yes	Performs all three tests (Random test, Incremental test, and Pattern test) sequentially. It allows you to specify options that will perform heavy stress testing.
Functional (online)	Yes	nettest is aware that the user's application may be running. It tries to minimize the influence on the application while it is testing. So nettest uses only the random test in online mode. Since the network device is shared and system resources are available, applications are minimally affected.

---

# nettest Command-Line Syntax

```
/opt/SUNWvts/bin/nettest standard_arguments -o target=h1+h2+...,  
dev=interface,test=type,packets=n,pattern=hex,delay=seconds,  
timeout=seconds,retry=n,warn
```

TABLE 27-3 nettest Command-Line Syntax

Argument	Explanation
<i>target=h1+h2+...</i>	A list of test targets by host name or Internet address.
<i>dev=interface</i>	Network interface name. The default value is <code>le0</code> for Ethernet networks.
<i>test=type</i>	The test type. Type <code>Random</code> , <code>Increment</code> , or <code>Pattern</code> for the desired test. The default value is <code>Random+Increment+Pattern</code> where all tests run.
<i>packets=n</i>	Number of random/pattern packets. The default is 256.
<i>pattern=hexn</i>	Specifies a data pattern, in hexadecimal form. The default is all patterns from 0 to <code>0xff</code> .
<i>delay=seconds</i>	Indicates the time between subtests in seconds; the default is 30 seconds.
<i>timeout=seconds</i>	Indicates the number of seconds to wait before a timeout; the default is 20 seconds.
<i>retry=n</i>	Indicates the number of test timeout retries; the default is three retries.
<i>warn</i>	When enabled, prints warning messages.

---

**Note** – 64-bit tests are located in the `sparcv9` subdirectory: `/opt/SUNWvts/bin/sparcv9/testname`. If a test is not present in this directory, then it may only be available as a 32-bit test. For more information refer to “32-Bit and 64-Bit Tests” on page 3.

---

---

# nettest Error Messages

**TABLE 27-4** nettest Error Messages

	<b>Error Message</b>	<b>Probable Cause(s)</b>	<b>Recommended Action</b>
6000	RPC broadcast failure <i>error_message</i>		
6001	Unable to resolve <i>host_name</i> Ethernet address		
6002	No ICMP echo reply from <i>host_name</i>	System load too heavy.	Reduce system load or increase timeout time.
		No cable connection.	Check cable connection!
		Target machine too busy.	Reduce target machine load.
6003	ICMP echo reply incorrect length from <i>host_name</i> , exp <i>data</i> obs <i>data</i>		
6004	ICMP echo reply length <i>number</i> from <i>host_name</i> , data mismatch at byte <i>number</i> , exp <i>value</i> obs <i>value</i>		
6005	Unable to find any test target		
6006	Unable to find necessary test targets for the ethernet switch		
8000	Unable to open <i>device_name</i> <i>error_message</i>		
8001	Bad ioctl <i>name error_message</i>		
8002	Unable to allocate <i>number</i> bytes of memory <i>error_message</i>		
8003	System call <i>name</i> returned <i>value error_message</i>		
8004	Unable to map network entry for <i>host_name</i>		
8005	ATM device <i>device_name</i> requires target specification		

**TABLE 27-4** nettest Error Messages (Continued)

	<b>Error Message</b>	<b>Probable Cause(s)</b>	<b>Recommended Action</b>
8006	Failed to allocate <i>number</i> bytes of swap space for configuration		
8007	dl_primitive response = <i>value</i>		
8008	dl_ok_ack: short response		
8009	dl_phys_addr_ack: short response		
8010	Invalid Argument string		
8011	Interface <i>device_name</i> not configured in system		





## Ethernet Loopback Test (netlbttest)

---

The `netlbttest` replaces the `gemtest` previously included in SunVTS. It provides functional test coverage of the devices whose device drivers support the Ethernet loopback test. These include `eri` (the Ethernet device in the RIO chip) and `ge` (Gigabit Ethernet). It runs in loopback (external/internal) mode and must be selected mutually exclusive with the `nettest`.

You must have the Ethernet card and the device driver installed, a loopback connector in place, and Intervention mode enabled before running `netlbttest`. Even though the `netlbttest` does not depend on the network interface configuration status of the Ethernet interface, the interface should be brought down with the `ifconfig` command (refer to the `ifconfig(1M)` man page) to avoid erroneous messages.

The `netlbttest` uses DLPI RAW mode to talk to the device driver. For the purpose of this test, a packet is defined as an Ethernet header followed by the Ethernet data payload (refer to IEEE 802.3z). The test generates and sends out the desired number of packets (a tunable parameter) and expects to receive the same number of packets through the loopback interface, external or internal. If an error occurs (for example, packet mismatch or timeout), an error message indicating the type of error, its probable cause(s) and recommended action(s) is displayed on the SunVTS console.

The data sent out is generated by a random number generator, and put into a data buffer. Each time the packet sent is selected from a different starting point of the data buffer, so that any two consecutively transmitted packets will not be the same.



---

**Caution** – Do not run `nettest` and `netlbttest` at the same time or the tests may fail.

---

---

## netlbttest Test Requirements

To run `netlbttest`, you must have a loopback connector connected to the Ethernet interface. `netlbttest` cannot run if the network interface is connected to a live network, however the link must be up. A loopback connector provides the network interface driver the necessary link for testing, while maintaining isolation from a live network. The loopback connector is required for both internal and external tests of the Ethernet device.

The loopback cable for `ge` is based on the following specifications: multimode, duplex, 62.5/125 micron, sc connector, 850nm. The cable can be made by splitting a standard fiber optic cable in two. The two ends of the cable should be connected to the TX and RX ports of the adapter (the order does not matter), thus forming a loop.

The loopback connector for the `eri` device is a standard RJ45 connector. Pin 1 should be connected to pin 3, and pin 2 connected to pin 6.

---

## netlbttest Options

To reach the dialog box below, right-click on the test name in the System Map and select Test Parameter Options. If you do not see this test in the System Map, you might need to expand the collapsed groups, or your system may not include the device appropriate to this test. Refer to the *SunVTS User's Guide* for more details.

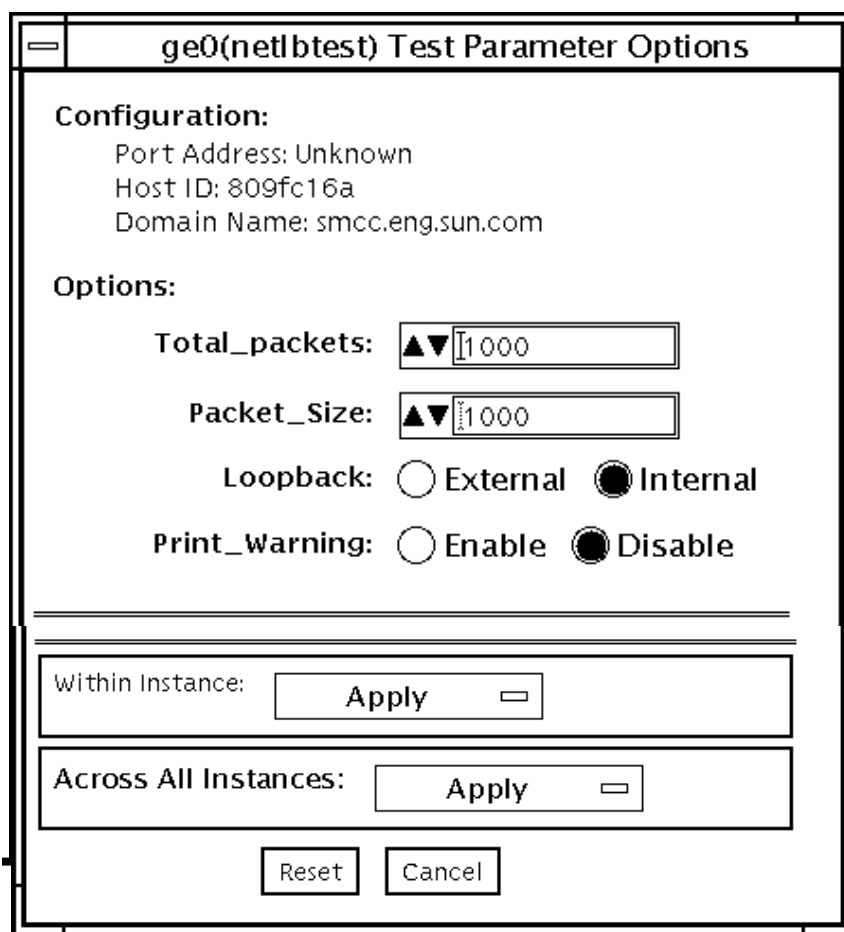


FIGURE 28-1 netlbtst Test Parameter Options Dialog Box

Refer to TABLE 28-1 for test parameter descriptions.

**TABLE 28-1** netlbtest Options

netlbtest Options	Description
Configuration	Specifies the Port Address, Host ID, and Domain Name of the system under test.
Total Packets	Specifies the total number of the packets to send. The default number of packet is 1000.
Packet size	Determines the size (in bytes) of the packets to be transmitted. $60 \leq \text{packet size} \leq 1514$ . The default packet size is 1000 bytes.
Loopback	Determines the external and internal loopback mode. The default setting is internal loopback mode.
Print_Warning	Enables or disable the printing of warning messages. The default setting is Disable
Processor Affinity	Binds the test to a specific processor. If no processor is specified, the test migrates between processors. This option is only available on multiprocessor systems.

---

## netlbtest Test Modes

**TABLE 28-2** netlbtest Test Modes

Test Mode	Supported?	Description
Connection	No	Not supported
Functional (Offline)	Yes	Runs the full set of subtests. It is assumed that the host is not connected to the network through the intended test device(s).
Functional (Online)	No	Not supported

Since netlbtest requires a loopback connector, it can only be selected when Intervention mode is enabled.

---

# netlbtest Command-Line Syntax

```
/opt/SUNWvts/bin/netlbtest standard_arguments  
-o dev=device, tpkts=n, pksz=pkt_size, lb=Internal  
, warn=Disable
```

**TABLE 28-3** netlbtest Command-Line Syntax

Argument	Explanation
<i>dev=device_name</i>	Specifies the device to test such as <code>ge0</code> or <code>eri0</code> .
<i>tpkts=n</i>	[1...100000], count of packets to loopback.
<i>pksz=pkt_size</i>	[60... 1514], packet size in bytes.
<i>lb=Internal</i>	Selects internal (or external) loopback mode.
<i>warn=Disable</i>	Enables or disables printing of warning messages.

---

**Note** – 64-bit tests are located in the `sparcv9` subdirectory: `/opt/SUNWvts/bin/sparcv9/testname`. If a test is not present in this directory, then it may only be available as a 32-bit test. For more information refer to “32-Bit and 64-Bit Tests” on page 3.

---

---

# netlbtest Error Messages

**TABLE 28-4** netlbtest Error Messages

	<b>Error Message</b>	<b>Probable Cause(s)</b>	<b>Recommended Action</b>
6000	Timed out for receiving pkt number	Card and/or driver not configured properly.	Configure driver or reset card. Check loopback connector. If the problem persists, contact your authorized Sun service provider.
6001	System error	System may have run out of memory.	Reduce the number of processes currently running or increase system memory.
6002	Data mismatch between transmitted and received pkt data	Link loss, CRC error, alignment error.	If the frequency of errors is large, replace the card and/or contact your authorized Sun service provider.
8000	errmsg for device	Card not present.	Check for card.
8001	Memory allocation failure	System ran out of memory.	Reduce the number of processes currently running. Increase system memory.
8002	No card found	No card found.	Install card.
8003	Failed to get the link up	Loopback connector not connected.	Faulty loopback connector. Check it and replace it if necessary. If problem persists, contact your authorized Sun service provider.
8004	Transmit failed error	STREAMS was unable to accept more data, perhaps due to insufficient STREAMS memory resources.	Reduce the system load.

**TABLE 28-4** netlbtest Error Messages (Continued)

	<b>Error Message</b>	<b>Probable Cause(s)</b>	<b>Recommended Action</b>
8005	Receive failed, error for pkt number		Try again, if the problem persists, then it is a system error. Contact your authorized Sun service provider.
8006	DLPI error for device <i>string</i>	Wrong instance number <i>X</i> specified in <i>devicename</i> .	Specify correct instance number.
8008	Failed to open temporary file <i>filename: error</i>	Directory is file protected.	Change the permission code.





## PCMCIA Modem Card Test (pcsertest)

---

`pcsertest` verifies the functionality of the PCMCIA modem card. The `pcsertest` issues a series of commands to the modem that instructs the modem's firmware to run an internal analog loopback diagnostic test. Upon completion, the firmware sends back a three-digit status message indicating whether the test passed or failed.

As an option, the `pcsertest` tests socket I/O cards. This test writes an 8-Kbyte incrementing data pattern to the I/O card, which is then looped back, read, and verified.

---

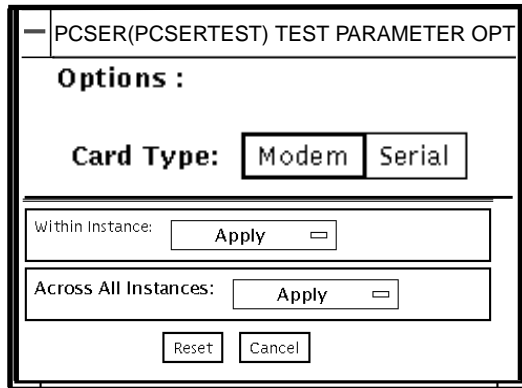
**Note** – When testing socket I/O cards, a 9-pin loopback connector is required. However, no loopback connector is required when testing the default modem card. See Appendix A for loopback connector wiring instructions.

---

---

### `pcsertest` Options

To reach the dialog box below, right-click on the test name in the System Map and select Test Parameter Options. If you do not see this test in the System Map, you might need to expand the collapsed groups, or your system may not include the device appropriate to this test. Refer to the *SunVTS User's Guide* for more details.



**FIGURE 29-1** `pcsertest` Test Parameter Options Dialog Box

The default card type for each PCMCIA slot is a modem card. If only one modem card is plugged in, the empty slot is ignored.

From the `pcsertest` Option window, you can choose to test socket I/O cards. To test a socket card, choose Socket on the Card type switch. If you choose to test a socket I/O card in an empty slot, the test fails.

Any combination of modem and socket I/O cards can be placed in the PCMCIA slots. However, you must select the correct type of card in the Options dialog box. If you select an incorrect card type, the test fails.

---

# pcsertest Test Mode

**TABLE 29-1** pcsertest Test Modes

Test Mode	Supported?	Description
Connection	No	Not supported
Functional (Offline)	Yes	Runs the full set of tests
Functional (Online)	No	Not supported

---

# pcsertest Command-Line Syntax

```
/opt/SUNWvts/bin/pcsertest standard_arguments -o dev=device_name,  
type=card_type
```

**TABLE 29-2** pcsertest Command-Line Syntax

Argument	Explanation
dev=device_name	The device name (for example, dev=pc0 and pc1)
type=card_type	The card type for the previously specified device name (for example, type=serial). You do not need to specify the type if the device is a modem, since modem is the default card type.

---

**Note** – 64-bit tests are located in the `sparcv9` subdirectory: `/opt/SUNWvts/bin/sparcv9/testname`. If a test is not present in this directory, then it may only be available as a 32-bit test. For more information refer to “32-Bit and 64-Bit Tests” on page 3.

---

---

# pcsertest Error Messages

**TABLE 29-3** pcsertest Error Messages

Error Message	Probable Cause(s)	Recommended Action
6000	tcgetattr failed for modem card <i>number</i> <i>error message</i>	
6001	tcsetattr failed for modem card <i>number</i> <i>error message</i>	
6002	Write failed while setting modem card <i>number</i> <i>error message</i>	
6003	ioctl TIOCSSOFTCAR failed for serial card <i>number</i> <i>error message</i>	
6004	tcgetattr failed for serial card <i>number</i> <i>error message</i>	
6005	tcsetattr failed for serial card <i>number</i> <i>error message</i>	
6006	Card in slot <i>number</i> is not a serial card	
6007	Data miscompare error	
6008	Modem card <i>number</i> returned unknown status	
6009	ioctl TIOCMSET failed for serial card <i>number</i> <i>error message</i>	
6010	ioctl TIOCMBIS failed for serial card <i>number</i> <i>error message</i>	
6011	Write to serial card <i>number</i> failed. <i>error message</i>	
6012	Timeout waiting for data from serial card <i>number</i>	

**TABLE 29-3** pcsertest Error Messages (Continued)

	<b>Error Message</b>	<b>Probable Cause(s)</b>	<b>Recommended Action</b>
6013	Read from serial card <i>number</i> failed. <i>error message</i>		
6014	Status timeout from modem card <i>number</i>		
6015	Read from modem card <i>number</i> failed. <i>error message</i>		
6016	Card in slot %d is not a modem card		
8000	can't open <device> <i>error</i> <i>message</i>		
8001	Serial card <i>number</i> loopback defective		
8002	Write to modem card <i>number</i> failed. <i>error message</i>		



## SPARCstorage Array Controller Test (`plntest`)

---

`plntest` checks the functionality of the controller board on the SPARCstorage™ Array. The SPARCstorage Array (SSA) is a large disk storage I/O subsystem capable of housing up to 30 SCSI hard drives. The SSA communicates with a host system over a fiber-optic link provided by an SBus-based host adapter card in the host system and the corresponding SSA controller board hardware.

The SSA controller card is an intelligent, CPU-based board with its own memory and ROM-resident software. In addition to providing a communications link to the disk drives, it also buffers data between the host system and disk drives in its nonvolatile RAM (NVRAM). For data to go from the host to a particular disk, it must first be successfully transferred to this NVRAM space.

The host machine, SBus host adapter card, fiber-channel connection, and the SSA controller board must be working properly to perform this data transfer operation. By verifying and stressing this operation, `plntest` can isolate failures on the SSA disk drives from failures on the SSA controller board.

---

**Note** – `disktest` transfers data on the SSA disk drives over the same path mentioned above. However, `disktest` does not transfer data as quickly as `plntest`.

---

---

### `plntest` Controller Test

The `plntest` exercises the hardware and software by invoking SCSI read buffer commands of various sizes to the NVRAM. These operations exercise the host fiber channel hardware, the SSA fiber channel hardware, the SSA resident management

software, and the hardware component interaction on the SSA controller card (all components except the SCSI devices). In addition, the `plntest` reports failure of the fan module and the NVRAM battery module of the SPARCstorage Array.

## plntest Options

To reach the dialog box below, right-click on the test name in the System Map and select Test Parameter Options. If you do not see this test in the System Map, you might need to expand the collapsed groups, or your system may not include the device appropriate to this test. Refer to the *SunVTS User's Guide* for more details.

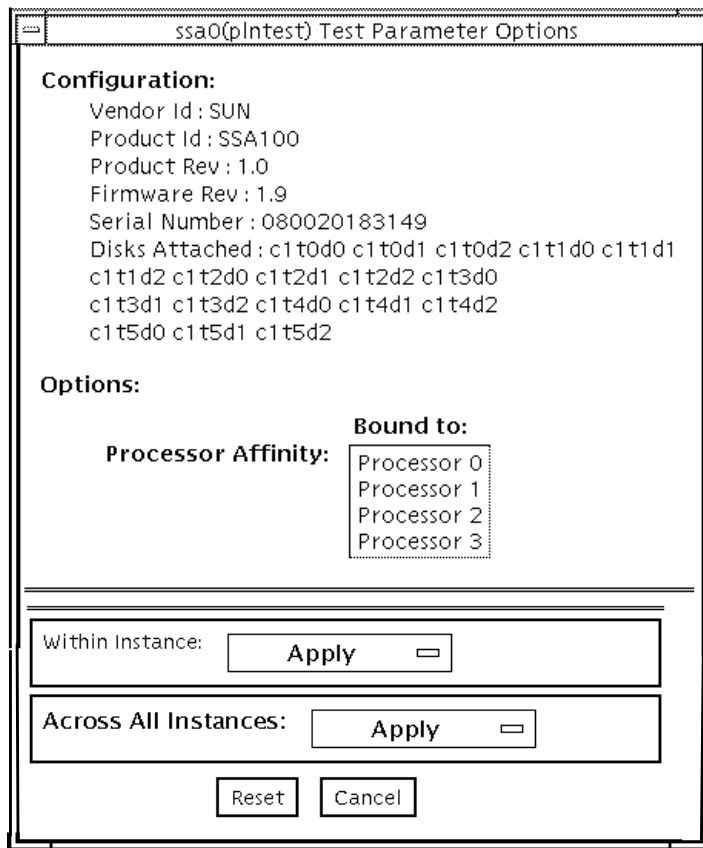


FIGURE 30-1 `plntest` Test Parameter Options Dialog Box



Configuration lists the names of all the logical disk drives (both single and grouped) that are attached to the SPARCstorage Array controller board. `plntest` is not a scalable test.

---

**Note** – If no disks are present, `none` is displayed under the Attached Disks heading.

---

---

# plntest Test Modes

TABLE 30-1 plntest Test Modes

Test Mode	Supported?	Description
Connection	Yes	In this mode, <code>plntest</code> checks the state of the battery module and the fan module of the SPARCstorage Array.
Functional (offline)	Yes	<code>plntest</code> checks the state of the battery module and the fan module of the SPARCstorage Array. The <code>plntest</code> issues a SCSI command, <code>READBUFFER</code> , causing the entire NVRAM to be read. This test uses different transfer buffer sizes.
Functional (online)	Yes	<code>plntest</code> performs the same as when SunVTS is invoked in offline mode.

---

# plntest Command-Line Syntax

```
/opt/SUNWvts/bin/plntest standard_arguments -o ?,dev=device_name,x,
```

TABLE 30-2 plntest Command-Line Syntax

Argument	Explanation
<code>?</code>	Probes the system for valid SSA controller devices and prints them to screen (see “Probing for SSA Controller Devices.”)
<code>dev=device_name</code>	Specifies the physical path name of the SSA controller card to be tested. This argument <i>must</i> be included when running <code>plntest</code> from the command line, unless the <code>?</code> argument is used.
<code>x</code>	Probes the specified SSA controller card for the single and grouped disks attached to the controller card, and prints their logical names to the screen.  Note: The <code>dev=device_name</code> must be specified for this option to work.

---

**Note** – 64-bit tests are located in the `sparcv9` subdirectory: `/opt/SUNWvts/bin/sparcv9/testname`. If a test is not present in this directory, then it may only be available as a 32-bit test. For more information refer to “32-Bit and 64-Bit Tests” on page 3.

---

---

## Probing for SSA Controller Devices

Unlike most other hardware devices, the SSA controller card does not have a logical device name (one you would find in the `/dev` directory). Therefore, the SSA controller card is identified by its longer, physical device name.

---

**Note** – The physical device name of the SSA controller card cannot be used to run `plntest`.

---

When running `plntest` from the command line, the physical device name of the SSA controller card cannot be used, so a logical name must be specified. ANSI standards require commas as delimiters between items. Since the physical name of the SSA controller contains embedded commas, if you use a physical name that contains commas as a command-line option, `plntest` misinterprets the option.

There are two ways that you can create a logical name:

- Run the SunVTS kernel (`vtsk`), which automatically creates a logical name entry for the SSA controller under the `/dev` directory, such as:

```
# /dev/ssaXX , where XX represents the decimal number of the  
controller
```

Use this name as the parameter for the `dev=` option of `plntest`.

- Manually make a soft link from the actual physical device name to a logical name of your choice (under `/dev`). Use this name as the parameter for the `dev=` option of `plntest`, as shown in the following example:

```

machine# ./plntest "?"

1: /devices/io-unit@f,e3200000/sbi@0,0/SUNW,soc@1,0/SUNW,
pln@0c0d,0e0f0102:ctlr
2: /devices/io-unit@f,e0200000/sbi@0,0/SUNW,soc@3,0/SUNW,
pln@0c0d,0e0f0102:ctlr

machine# ln -s \ /devices/io-unit@f,e3200000/sbi@0,0/SUNW,soc@1,0/SUNW,
pln@0c0d,0e0f0102:ctlr \ /dev/ssa1
machine# /opt/SUNWvts/bin/plntest dev=/dev/ssa1

```

## plntest Error Messages

TABLE 30-3 plntest Error Messages

Error Message	Probable Cause(s)	Recommended Action
6010 <i>device_name text1</i> during <i>text2</i> . <i>text1</i> indicates SCSI sense information for the SCSI command <i>text2</i>		
6011 <i>device_name</i> SCSI status returned is <i>text</i> , Command issued was <i>text</i>		
6012 <i>device_name</i> : NVRAM Battery is low or has failed	Suspect battery module.	Fast writes will be disabled. Consult your authorized Sun service provider.
8000 <i>device_name</i> Failed to open() ( <i>error_message</i> )	Suspect fiber optic cable. Suspect SSA controller board. Suspect SOC host adapter.	Consult your authorized Sun service provider.

**TABLE 30-3** plntest Error Messages (Continued)

	<b>Error Message</b>	<b>Probable Cause(s)</b>	<b>Recommended Action</b>
8010	<i>device_name text1</i> during <i>text2</i> . <i>text1</i> indicates SCSI sense information for the SCSI command <i>text2</i>		
8011	<i>device_name</i> SCSI status returned is <i>text</i> , Command issued was <i>text</i>		
8012	<i>device_name</i> Fans have failed	Fan failure.	Consult your authorized Sun service provider.



## Physical Memory Test (`pmemtest`)

---

The `pmemtest` checks the physical memory of the system. The `pmemtest` locates parity errors, hard and soft error correction code (ECC) errors, memory read errors, and addressing problems. The pseudo driver `mem(7)` is used to read the physical memory.

This test reads through all available physical memory. It does not write to any physical memory location.

---

### `pmemtest` Options

To reach the dialog box below, right-click on the test name in the System Map and select Test Parameter Options. If you do not see this test in the System Map, you might need to expand the collapsed groups, or your system may not include the device appropriate to this test. Refer to the *SunVTS User's Guide* for more details.

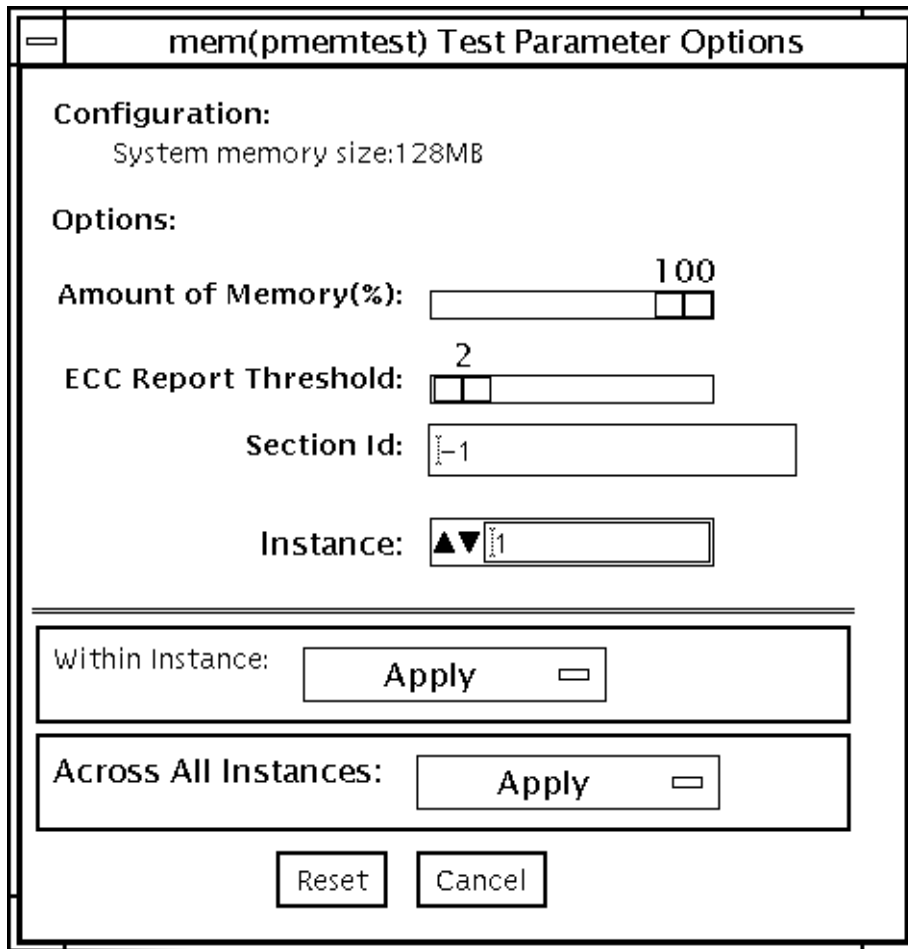
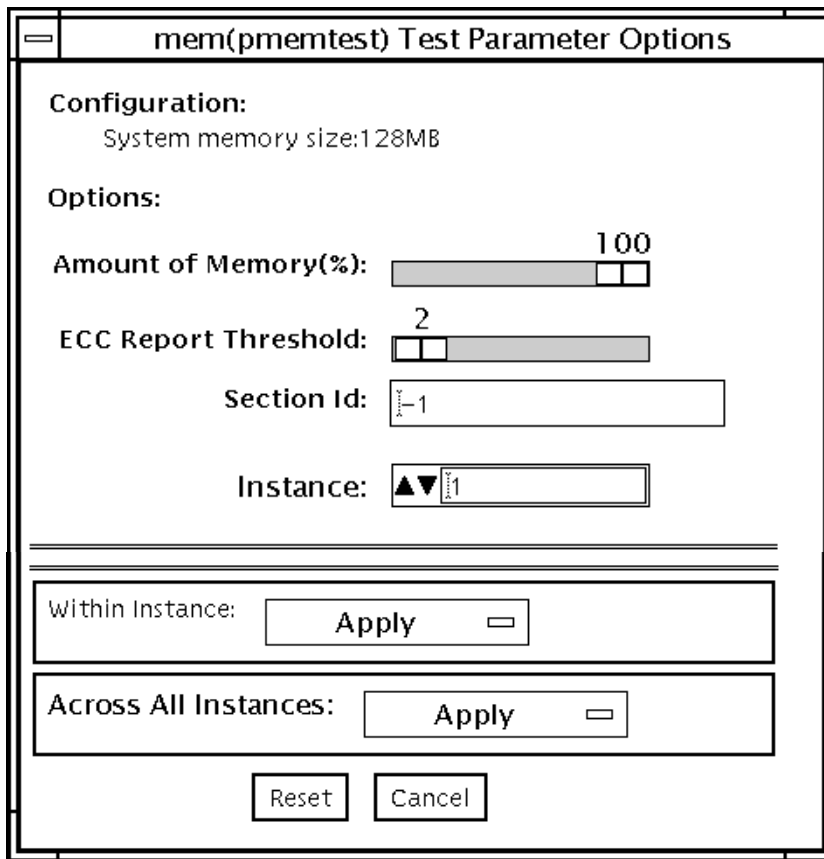


FIGURE 31-1 pmemtest Test Parameter Options Dialog Box (Non-Ultra Server)

Refer to TABLE 31-1 for test parameter descriptions.





**FIGURE 31-2** `pmemtest` UltraSPARC Server Test Parameter Options Dialog Box

Refer to TABLE 31-1 for test parameter descriptions.

**TABLE 31-1** `pmemtest` Options

<code>pmemtest</code> Options	Description
Configuration	Shows the total amount of physical memory, rounded up to the nearest megabyte, probed by the SunVTs kernel.
Amount of Memory	Specifies the percent of the physical memory to be tested.

**TABLE 31-1** `pmemtest` Options

<code>pmemtest</code> Options	Description
ECC Report Threshold	Determines how many correctable ECC errors occur before they are reported as an error causing <code>pmemtest</code> to report a failure. A value of zero results in no report of any correctable ECC errors. The default is 2. This option is only available on UltraSPARCTM systems.
Section ID	When set to -1, <code>pmemtest</code> will test one memory section in each pass, automatically testing each subsequent memory section as testing progresses. When set to a number other than -1, only the section specified will be tested. A section is defined by the pass and instance number settings. This option is only available on UltraSPARC systems.
Instance	The number of copies of <code>pmemtest</code> to run simultaneously on the memory you are testing.

---

# pmemtest Test Modes

TABLE 31-2 pmemtest Test Modes

Test Mode	Supported?	Description
Connection Test	Yes	In this mode, one percent of the memory is read. pmemtest also informs the user how much physical memory is available. For sun4m, sun4u, and UltraSPARC servers, the test reports the ECC errors that have occurred since it was last invoked. The test reports ECC errors for a particular CPU or memory board when physical mapping is selected, otherwise it provides the SIMM number of the ECC memory error.
Functional (offline)	Yes	In Functional test mode, the amount of memory to be read can vary. The default is 100 percent. For UltraSPARC servers, this test mode reports all ECC errors that have occurred since the system was brought online
Functional (online)	Yes	A variable amount of memory is read. The default is 100 percent. For UltraSPARC servers, the ECC error reporting is the same as for the Connection test.

---

# pmemtest Command-Line Syntax

```
/opt/SUNWvts/bin/pmestest standard_arguments  
-o size=[1-100],dev=device_name,threshold=report_threshold  
,bdinfo=number,section=section_id
```

TABLE 31-3 pmemtest Command-Line Syntax

Argument	Explanation
<i>size=[1-100]</i>	Specifies the percentage of memory to be tested.
<i>dev=device_name</i>	Specifies the device to test, for example, mem.

**TABLE 31-3** `pmemtest` Command-Line Syntax

Argument	Explanation
<code>threshold=report_threshold</code>	Determines how many correctable ECC errors occur before they are reported as an error causing <code>pmemtest</code> to report a failure. A value of zero results in no report of any correctable ECC errors. The default is 2. This option is only available on UltraSPARC systems.
<code>bdinfo=number</code>	For UltraSPARC servers, indicates board number information. For example, if board 0 and board 5 have memory and you want the test to read the memory on both boards, then <code>bdinfo=33</code> ( $2^{**}5+2^{**}0$ ).
<code>section=section_id</code>	When set to -1, <code>pmemtest</code> will test one memory section in each pass, automatically testing each subsequent memory section as testing progresses. When set to a number other than -1, only the section specified will be tested. A section is defined by the pass and instance number settings. This option is only available on UltraSPARC systems.

---

**Note** – 64-bit tests are located in the `sparcv9` subdirectory: `/opt/SUNWvts/bin/sparcv9/testname`. If a test is not present in this directory, then it may only be available as a 32-bit test. For more information refer to “32-Bit and 64-Bit Tests” on page 3.

---

# pmemtest Error Messages

TABLE 31-4 pmemtest Error Messages

Error Message	Probable Cause(s)	Recommended Action
6003 <i>number</i> intermittent errors on <i>text</i> . <i>text</i> would indicate the SIMM locations		
6004 Symbol <i>text</i> not found in kernel image. <i>text</i> will indicate the name of the symbol not found in the kernel image		
6005 <i>number</i> persistent errors on <i>text</i> SIMM(s). <i>text</i> would indicate the SIMM locations	SIMM(s). Check the SIMM location.	Call your authorized Sun service representative.
8000 kvm_open() failed: <i>error_message</i>		
8001 sysinfo(SI_PLATFORM) failed: <i>error_message</i>		
8002 Symbol <i>text</i> not found in kernel image. <i>text</i> will indicate the name of the symbol not found in the kernel image		
8003 Couldn't open file /dev/mem: <i>error_message</i>		
8004 Unable to read pointer to memlist structure		
8005 Unable to read "size" and "address" in memlist		
8006 llseek() to address <i>address</i> failed ( <i>error_message</i> )		
8007 read() at address <i>address</i> failed ( <i>error_message</i> )		
8008 sysconf(_SC_NPROCESSORS_ONLN) failed: <i>error_message</i>		

**TABLE 31-4** pmentest Error Messages (Continued)

	<b>Error Message</b>	<b>Probable Cause(s)</b>	<b>Recommended Action</b>
8009	llseek to address <i>address</i> failed ( <i>error_message</i> )		
8010	llseek to address <i>address</i> [ <i>text</i> ] failed ( <i>error_message</i> )	This message is seen on UltraSPARC servers only. The <i>text</i> indicates to which board and bank the physical address maps.	
8011	read() at address <i>address</i> [ <i>text</i> ] failed ( <i>error_message</i> )	This message is seen on UltraSPARC servers only. The <i>text</i> indicates to which board and bank the physical address maps.	

## Remote System Control ( `rsctest` )

---

The `rsctest` exercises the Remote System Control (RSC) feature on the Sun Enterprise 250.

The RSC provides secure remote access for system monitoring, firmware updates and failure recovery. The RSC hardware consists of the controller, flash, SEEPRAM, 10MB Ethernet port and an external console serial port. The RSC communicates with the host through two internal serial lines, the I2C bus, and reset lines.

---

### `rsctest` Subtests

The `rsctest` consists of four subtests that test and report on the Ethernet, flash checksum, SEEPRAM checksum, and the internal and external serial ports. The subtests call test modlets that are written in the native Real Time Operating System (RTOS) that resides in the RSC firmware. The `rsctest` subtests execute the test modlets, passes parameters, and retrieves results from the RSC using a test protocol on the host to RSC internal serial lines. The `rsctest` is not scalable.

---

### `rsctest` Options

To reach the dialog box below, right-click on the test name in the System Map and select Test Parameter Options. If you do not see this test in the System Map, you might need to expand the collapsed groups, or your system may not include the device appropriate to this test. Refer to the *SunVTS User's Guide* for more details.

**Configuration:**  
Remote System Control

**Options:**

Enet\_Test:  Enable  Disable

Data\_Pattern\_Type:  Seq  
 Rand

Packet\_Size: ▲▼ 200

Num\_Packets: ▲▼ 50

Target\_Host: 129.148.98.4

Etest\_Type:  Internal  
 External  
 Ping

Flash\_Test:  Enable  Disable

SEEPROM\_Test:  Enable  Disable

Serial\_Test:  Enable  Disable

Data\_Size: ▲▼ 307

Loopback\_Type:  Internal  
 External

Data\_Pattern\_Type:  Seq  
 Rand

STest\_Type:  u\_u  
 c\_c  
 d\_d

TTYU\_Baud: ▼ ALL

---

Within Instance:

Across All Instances:

**FIGURE 32-1** rsctest Test Parameter Options Dialog Box



**TABLE 32-1** `rsctest` Options

<code>rsctest</code> Options	Description
Enet test	Used to enable or disable RSC Ethernet testing.
Data Pattern Type	Select Sequential, Random, or both types of data patterns.
Packet Size	Define the size of each data packet to be sent for all tests.
Num Packets	Specify the number of data packets to send in one test loop.
Target Host	Specify the IP address of a host to use for the ping test.
Enet Test Type	Select any or all Internal, External, or ping test.
Flash test	Used to enable or disable the flash checksum test.
SEEPROM test	Used to enable or disable the SEEPROM checksum test.
Serial test	Used to enable or disable the RSC serial test.
Data Size	Used to define the data size to be sent.
Loopback Type	Select Internal, External, or both. External requires a loopback plug.
Data Pattern Type	Select Sequential, Random, or both types of data patterns.
Serial Test Type	Select serial ports to be tested, u to u, c to c, or d to d.
TTYU_Baud	Select the RSC's console port baud rate.

---

# rsctest Test Modes

rsctest supports Connection and Functional tests as described in the table below.

TABLE 32-2 rsctest Test Modes

Test Mode	Supported ?	Description
Connection	Yes	Reports the status of the RSC.
Functional (offline)	Yes	Tests the RSC's Ethernet, flash, SEEPROM, and serial devices. All tests use internal modes as defaults. The rsctest will not run the serial test on ttyc if the console has been redirected to the RSC. The ttyu tests will not run if there is an open login on ttyu.
Functional (Online)	No	Not supported

---

# rsctest Command-Line Syntax

```
/opt/SUNWvts/bin/rsctest standard_arguments -o enet=E/D, epatttype=seq+rand, esize=packet_size, epkts=number_packets, target=IP_address, etest=I+E+P, flash=E/D, seeprom=E/D, serial=E/D, sdatsize=data_size, slb=I+E, spatttype=seq+rand, stest=u_u+c_c+d_d, ttyubaud=ALL|specific_baud
```

TABLE 32-3 rsctest Command-Line Syntax

Argument	Explanation
<b>enet</b> =enable disable	Enables or disables RSC Ethernet test.
<b>epatttype</b> =seq+rand	Predefined pattern options used for Enet test.
<b>esize</b> =packet_size	Data size for each packet in the Enet test.
<b>epkts</b> =number_packets	Number of packets to send for Enet test.
<b>target</b> =IP_address	IP address of target system for Enet ping test.
<b>etest</b> =Internal+External+Ping	Test modes for RSC Enet test.
<b>flash</b> =enable disable	Enables or disables RSC Flash Checksum test.

**TABLE 32-3** `rsctest` Command-Line Syntax

Argument	Explanation
<code>seeprom=enable disable</code>	Enables or disables RSC SEEPROM checksum test.
<code>serial=enable disable</code>	Enables or disables RSC serial test.
<code>sdatasize=data_size</code>	Data size for the rsc serial tests.
<code>slb=Internal+External</code>	Loopback type. External N/A on ports c&d.
<code>spatttype=seq+rand</code>	Predefined pattern options used for RSC serial test.
<code>stest=u_u+c_c+d_d</code>	Defines port and configuration to use for RSC serial test.
<code>tttyu_baud=ALL specific_baud</code>	Defines baud rates to be used in testing the RSC's console port.

**Note** – 64-bit tests are located in the `sparcv9` subdirectory: `/opt/SUNWvts/bin/sparcv9/testname`. If a test is not present in this directory, then it may only be available as a 32-bit test. For more information refer to “32-Bit and 64-Bit Tests” on page 3.

## rsctest Error Messages

**TABLE 32-4** `rsctest` Error Messages

Error Message	Probable Cause(s)	Recommended Action
8000 Unable to open driver <i>driver name: sys error msg</i>	Device name is wrong or driver is not loaded. Device busy.	Check the device name (if entered) or load driver. Kill all other processes accessing driver.
8001 Unable to allocate memory using malloc: <i>sys err msg</i>	System software error.	Consult <code>/var/adm/messages</code> file for more information.
8002 Illegal options passed to <code>rsctest</code> <i>option</i>	User error.	Check usage by typing <code>rsctest -u</code> .
8003 Error encountered during call to <i>function name</i>		

**TABLE 32-4** rsctest Error Messages

Error Message	Probable Cause(s)	Recommended Action
8004 Error encountered during call to <code>rsc_send()</code> . Error Code: <i>sys error msg</i>	RSC Hardware is not responding.	Check the RSC using <code>rscadm</code> and reset the RSC if required.
8005 Error encountered during call to <code>rsc_rcv()</code> . Error Code: <i>sys error msg</i>	RSC RTOS test timed out.	Check the RSC using <code>rscadm</code> and reset the RSC if required.
8006 Failing status received. Status: <i>status</i>	RSC's RTOS test returned a failing status.	Check the RSC using <code>rscadm</code> .
8007 Invalid message type received from <code>rsc_rcv()</code> . <code>Msg_type:</code> <i>msg type</i>	RSC returned a unexpected message type.	Check the RSC using <code>rscadm</code> and reset the RSC if required.
8008 Error encountered during call to <code>rsc_start()</code> . Error Code: <i>sys error msg</i>	Unable to initialize RSC test protocol.	Check the RSC using <code>rscadm</code> and reset the RSC if required.
8009 RSC's <i>Internal External</i> <code>enetest</code> failed for pattern type= <i>patt type</i>	Internal: Bad hardware Improper RSC enet configuration.  External: Bad hardware, Improper RSC enet configuration, Missing 10 MB hub and cable. Excessive network traffic.	Check RSC configuration. Check 10 MB hub and cable. Replace mother board.
8010 RSC's PING test failed. Pattern type = <i>patt type</i> Target host= <i>target IP</i> .	Invalid RSC enet configuration.  Missing/damaged 10MB cable Invalid target IP Hardware failure.	Check RSC's enet configuration.  Check cable connection.  Check target IP address option. Replace mother board.
8011 RSC's flash checksum test failed. Status: <i>status</i>	Corrupted flash firmware. Bad flash hardware.	Reflash firmware. Replace Hardware.
8013 <i>term setting</i> failed for <code>TERMIO.:</code> <i>sys error msg</i>	RSC protocol error.  System software error.	Consult the <code>/var/adm/messages</code> file for more information.
8014 Read failed.: <i>sys error msg</i>	System software error.	Consult the <code>/var/adm/messages</code> file for more information.

**TABLE 32-4** rsctest Error Messages

Error Message	Probable Cause(s)	Recommended Action
8015 Data read does not match data sent.	Bad hardware or System software error.	Check hardware and replace if required.
8016 Data read exceeds data sent.	Bad hardware or System software error.	Check hardware and replace if required.
8017 Select timedout for read.: <i>sys error msg</i>	System software error. Excessive load on RSC/system causing lost data.	Reduce RSC and System load. Consult the <code>/var/adm/messages</code> file for more information.
8018 Write failed for <i>num bytes</i> bytes of data.: <i>sys error msg</i>	System software error.	Consult the <code>/var/adm/messages</code> file for more information.
8019 Select timedout for write.: <i>sys error msg</i>	System software error.	Consult the <code>/var/adm/messages</code> file for more information.
8020 RSC Serial test failed. Test Name= <i>testname</i> Loopback= <i>Loopback type</i> Pattern_Type= <i>patt type</i> Baud= <i>baud rate</i> .	Bad hardware or System software error.	Check hardware and replace if required.
8021 OPEN of <i>port</i> failed.: <i>sys error msg</i> .	System software error.	Consult the <code>/var/adm/messages</code> file for more information.
8022 RSC Status shows that the last run of POST failed.	Bad hardware or System Firmware error.	Check RSC documentation of meaning of POST status word.
8023 Unable to access lib <i>rsc lib</i> .: <i>sys error msg</i> .	System software error. RSC host software is not properly installed	Consult the <code>/var/adm/messages</code> file for more information. Re-install the RSC packages on the unit under test.
8024 Unable to close lib.: <i>sys error msg</i> .	System software error.	Consult the <code>/var/adm/messages</code> file for more information.
8025 Call to <code>rsc_init()</code> failed. Error Code: <i>rsc error msg</i>	System software error.	Consult the <code>/var/adm/messages</code> file for more information. Check the RSC using <code>rscadm</code> and reset the RSC if required.
8026 Unable to access function <i>function name</i> in lib.: <i>sys error msg</i> .	System software error. Out of date or unsupported version of the <code>librsc.so.1</code> is installed.	Consult the <code>/var/adm/messages</code> file for more information. Re-install the RSC packages on the unit under test.
8027 RSC's SEEPROM checksum test failed. Status: <i>status</i> .	Corrupted Firmware or problem with I2C bus or system software error.	Check the RSC using <code>rscadm</code> and reset the RSC if required.

**TABLE 32-4** rsctest Error Messages

<b>Error Message</b>	<b>Probable Cause(s)</b>	<b>Recommended Action</b>
8028 Select failed for [ <i>Write/Read</i> ] .	Hung RSC. RSC data protocol error.	Consult /var/adm/messages file for more information.
8029 Sending OFF to Serial test failed. Test Name= <i>test_name</i> Loopback= <i>loopback_type</i> pattern_type= <i>pattern_type</i> Baud= <i>baud_rate</i>	Hung RSC. RSC data protocol error.	Check the RSC using rscadm and reset the RSC if required.
8031 Communication to RSC failed.	Hung RSC.	Check the RSC using rscadm and reset the RSC if required.
8032 Unable to get RSC's console port from library.	RSC lib not installed. System software error.	Check for RSC lib on host.
8033 Unable to get RSC's control port from library.	RSC lib not installed. System software error.	Check for RSC lib on host.
8034 Unable to negotiate loopback mode on RSC for serial loopback.	Excessive RSC load. RSC data protocol error.	Reduce RSC and system load. Reset RSC.
8035 Unable to open host PROM.	Corrupted PROM image. Bad hardware.	Check PROM using prtconf. Update PROM. Replace mother board.
8036 Unable to access PROM property using ioct.	System software error. Corrupted PROM.	Check PROM using prtconf. Update PROM. Replace mother board.
8037 Unable to access the next PROM property using ioctl.	System software error. Corrupted PROM.	Check PROM using prtconf. Update PROM. Replace mother board.
8040 Internal Serial tests are not allowed while RSC is being used as console.	Either input-device or output-device is set to rsc.	Unselect the internal serial port tests from the rsctest test options menu. Redirect input-device and output-device and restart sunvts.
8041 Unable to determine RSC uptime.	RSC is resetting. RSC is not responding.	Check the RSC using rscadm.
8042 RSC reset detected; <i>start time stop time.</i>	RSC hardware error.	Telnet into the RSC to see if it is stuck in a reset loop. Check the RSC using rscadm.

**TABLE 32-4** rsctest Error Messages

<b>Error Message</b>	<b>Probable Cause(s)</b>	<b>Recommended Action</b>
8043 Unable to determine the systems platform.	System software error.	
8044 Unable to fill signal mask.	System software error.	
8045 Unable to change signal mask.	System software error.	





## Serial Asynchronous Interface (PCI) Test (`saiptest`)

---

`saiptest` checks the functionality of the serial asynchronous interface (SAI) card through its device driver.

---

### `saiptest` Hardware Requirements

Before running the SunVTS diagnostics software, make sure you install the device driver and the cards to be tested. Also, you should reboot your system with the `boot -r` command to reconfigure the system and allow the SunVTS kernel to recognize the new driver.

---

**Note** – You must run the `saiptest` in Intervention mode.

---

The following minimum hardware configuration is required to successfully run the Internal test:

- PCI-based SPARC system with a PCI slot
- Serial asynchronous interface card, installed in one of the PCI slots

The following hardware is also required to run other SunVTS Serial Asynchronous Interface tests:

- Serial asynchronous interface patch panel (Part No. 370-2810)
- 25-pin serial loopback plugs (Part No. 540-1558)
- RS-232 serial cables (Part No. 530-1685)
- TTY terminal

# saiptest Options

To reach the dialog box below, right-click on the test name in the System Map and select Test Parameter Options. If you do not see this test in the System Map, you might need to expand the collapsed groups, or your system may not include the device appropriate to this test. Refer to the *SunVTS User's Guide* for more details.

**saip0(saiptest) Test Parameter Options**

**Configuration:**  
Ports: term/a000 - term/a007

**Options:**

Test Mode:

Stop Bit:  1  2

Baud Rate:

Char Size:

Parity:

Flow Control:

Data Type:

Serial Port term:

Timeout:

---

Within Instance:

Across All Instances:

FIGURE 33-1 saiptest Test Parameter Options Dialog Box

The Configuration section of the Options dialog box displays the asynchronous serial ports available for the SAI board. Table 4-1 shows the available ports.

**TABLE 33-1** `saiptest` Asynchronous Serial Ports

Board Number	Board Device	Serial Ports
0	saip0	term/a000-a007
1	saip1	term/b000-b007
2	saip2	term/c000-c007
3	saip3	term/d000-d007
4	saip4	term/e000-e007
5	saip5	term/f000-f007
6	saip6	term/g000-g007
7	saip7	term/h000-h007
8	saip8	term/i000-i007
9	saip9	term/j000-j007
10	saip10	term/k000-k007
11	saip11	term/l000-l007
12	saip12	term/m000-m007
13	saip 13	term/n000-n007
14	saip 14	term/o000-o007
15	saip 15	term/p00-p007

**TABLE 33-2** saiptest Options

<code>saiptest</code> Option	Description
Internal Test	Performs internal loopback testing on the SAI card(s) installed in PCI slots. You do not need to attach anything to the card(s) to perform this test.
25-pin Loopback	Provides full-duplex transmission and full-modem loopback testing of the serial port selected in the Serial Port section of the option menu. Attach the 25-pin loopback plug to the serial port on the serial asynchronous interface patch panel that is being tested. This test cannot be run concurrently with the Echo-TTY option enabled.
Echo-TTY	Checks the proper operation of the serial port selected in the Serial Port selection of the option menu by echoing characters typed on a TTY terminal keyboard to the TTY terminal screen. The characters you type on your TTY keyboard display on the TTY screen.  Note: A TTY connection to the serial asynchronous interface serial port requires corresponding character size se up. For example, if a TTY attachment is running with 8-bit character size, then the Char Size <code>saiptest</code> option should be set to 8- bits. If you do not type any characters within two minutes, this test times-out.
Baud Rate	Specifies the baud rate. Choose 110, 300, 600, 1200, 2400, 4800, 9600, 19200, or 38400 baud. NOTE: The baud rate of 38400 can only be used if the Internal test is disabled and you are testing one port at a time.
Char Size	Specifies the character length. Choose 5, 6, 7, or 8 characters.
Stop Bit	Specifies the number of stop bits. Choose 1 or 2 bits.
Parity	Specifies the selectable parity. Choose none, odd, or even.
Flow Control	Specifies the selectable flow control. Choose XOnOff, rtscts, or both.
Data Type	Specifies the selectable data type pattern. Choose 0x55555555 (0x55), 0xaaaaaaaa (0xaa), or random.
Serial Port	Specifies the serial port to be tested. The available ports are listed in the Configurations section at the top of the <code>saiptest</code> options menu.
Timeout	Specifies the number of seconds until the test times out. The default is 120 seconds.

---

## saiptest Test Modes

**TABLE 33-3** saiptest Test Modes

Test Mode	Supported?	Description
Connection	No	Not supported
Functional (Offline)	Yes	Runs the full set of tests
Functional (Online)	No	Not supported

---

## saiptest Command-Line Syntax

```
/opt/SUNWvts/bin/saiptest standard_arguments -o dev=device_name,  
M=test_mode,B=baud_rate,Size=character_size,Stop=#of_stop_bits,  
Parity=parity,F=flow_control,Data=test_pattern,sp=serial_port,tout=time_out
```

**TABLE 33-4** saiptest Command-Line Syntax

Argument	Explanation
<b>dev=</b> <i>device_name</i>	<p>Specifies the asynchronous serial ports of the PCI card slots tested. Since there is no default, you must type a device name—either a board (saip0-16) or an individual port (term/x000-term/x007, where x is a-p):</p> <ul style="list-style-type: none"> <li>• saip0 = the 8 asynchronous serial ports in the first card</li> <li>• saip1 = the 8 asynchronous serial ports in the second card</li> <li>• saip2 = the 8 asynchronous serial ports in the third card</li> <li>• saip3 = the 8 asynchronous serial ports in the fourth card</li> <li>• saip4 = the 8 asynchronous serial ports in the fifth card</li> <li>• saip5 = the 8 asynchronous serial ports in the sixth card</li> <li>• saip6 = the 8 asynchronous serial ports in the seventh card</li> <li>• saip7 = the 8 asynchronous serial ports in the eighth card</li> <li>• saip8 = the 8 asynchronous serial ports in the ninth card</li> <li>• saip9 = the 8 asynchronous serial ports in the tenth card</li> <li>• saip10 = the 8 asynchronous serial ports in the eleventh card</li> <li>• saip11 = the 8 asynchronous serial ports in the twelfth card</li> <li>• saip12 = the 8 asynchronous serial ports in the thirteenth card</li> <li>• saip13 = the 8 asynchronous serial ports in the fourteenth card</li> <li>• saip14 = the 8 asynchronous serial ports in the fifteenth card</li> <li>• saip15 = the 8 asynchronous serial ports in the sixteenth card</li> </ul> <p>or /dev/term/x00m Where x is a-p and m is 0 to 7 (any of the asynchronous serial ports in PCI card slots).</p>
<b>M=</b> <i>test_mode</i>	Specifies Internal, 25_pin_loopback, or Echo_TTY test mode.
<b>B=</b> <i>baud_rate</i>	Sets the baud rate to 110, 300, 600, 1200, 2400, 4800, 9600, 19200, 38400; the default is 9600.
<b>Stop=</b> <i>#of_stop_bits</i>	Toggles the number of stop bits between 1 or 2. The default is 1.
<b>Size=</b> <i>character_size</i>	Sets the character size as an integer between 5 and 8.
<b>Parity=</b> <i>parity</i>	Specifies the parity as none, odd, or even. The default is none.
<b>F=</b> <i>flow_control</i>	Specifies flow control as xonoff, rtscts, or both.
<b>Data=</b> <i>test_pattern</i>	Specifies test pattern as 0x55555555, 0xAAAAAAAA, or random.
<b>sp=</b> <i>serial_port</i>	Specifies the terminal and asynchronous serial port number, such as term/a00n (sp=n).
<b>tout=</b> <i>time_out</i>	Specifies the number of seconds until the test times out. The default is 120 seconds.

---

**Note** – 64-bit tests are located in the `sparcv9` subdirectory: `/opt/SUNWvts/bin/sparcv9/testname`. If a test is not present in this directory, then it may only be available as a 32-bit test. For more information refer to “32-Bit and 64-Bit Tests” on page 3.

---

---

## saiptest Error Messages

The `saiptest` error messages are generated when the SunVTS Serial Asynchronous Interface discovers errors. The error descriptions in the table below identify probable causes for the card or test failure, and identify the Field Replaceable Unit (FRU) and recommended action, if possible. The two FRUs under test are: the Serial Asynchronous Interface card, and the patch panel with the cable attached.

**TABLE 33-5** `saiptest` Error Messages

Error Message	Probable Cause(s)	Recommended Action
6000	<i>error_message</i>	
6001	Expected = <i>value</i> , observed = <i>value</i>	
6002	Expected <i>value</i> :	
6003	Observed <i>value</i> :	
6004	Modem Loopback test failed on <i>device_name</i>	
6005	Off-line error on device <i>device_name</i>	
6007	Busy error on device <i>device_name</i>	
6008	Error on device <i>device_name</i>	
6009	Retry <i>number</i> exceeds limit <i>number</i> rc =s <i>value</i>	
6010	Expected <i>number</i> bytes, observed <i>number</i> bytes	
6011	Internal test failed on <i>device_name</i>	

**TABLE 33-5** saiptest Error Messages (Continued)

Error Message	Probable Cause(s)	Recommended Action
6012 Data Loopback test failed on <i>device_name</i>		
6013 Ioctl TIOCSSOFTCAR error on <i>device_name</i>		
8000 Must provide device name!		
8001 No SAI/P card found or device driver not installed		
8002 Ioctl TCSETS failed on <i>device_name</i>		
8003 Open error on <i>device_name</i> - device driver may not be installed properly		
8004 Device <i>device_name</i> is already opened		
8005 Ioctl SAIP_ENLOOP error in <i>device_name</i>		
8006 Ioctl SAIP_DISLOOP error in <i>device_name</i>		
8011 Ioctl TIOCMGET failed on <i>device_name</i>		
8012 <i>device_name</i> : Expected DSR set, observed clear		
8013 <i>device_name</i> : Expected DSR clear, observed set		
8014 Ioctl TIOCMSET failed on <i>device_name</i>		
8015 Ioctl TIOCMBIC failed on <i>device_name</i>		
8016 Read error on <i>device_name</i>		
8017 Write error on <i>device_name</i>		
8020 Timeout error on <i>device_name</i>	No loopback plug.	Check the loopback plug.
8021 Timeout error on <i>device_name</i>	TTY terminal not connected.	Check the TTY terminal connected to the device.
8022 Timeout error on <i>device_name</i>		



## Sun Enterprise Cluster 2.0 Network Hardware Test (`scitest`)

---

`scitest` verifies the functionality of the Sun Enterprise Cluster 2.0 by checking the networking hardware. For this test to be meaningful, the cluster must already be configured before the test is run. For details on how to configure the cluster, refer to *Sun Enterprise Cluster 2.0 Hardware Site Preparation, Planning, and Installation Guide*.

`scitest` reads the `/etc/sma.ip` file to determine the target nodes in the cluster. `scitest` mainly uses the Internet Control Message Protocol (ICMP) to test the connections between cluster nodes.

After finding the cluster nodes (targets), `scitest` performs the following tests:

- `Random test` sends out 256 packets with random data length and random data.
- `Incremental test` sends out packets with length from minimum to maximum packet size using incremental data.
- `Pattern test` sends 256 packets of maximum length, where each packet contains one test pattern and all byte patterns (0 to 0xFF) are used.

---

**Note** – `scitest` is a scalable test. The maximum number of instances is two per SCI card.

---

---

### `scitest` Options

To reach the dialog box below, right-click on the test name in the System Map and select Test Parameter Options. If you do not see this test in the System Map, you might need to expand the collapsed groups, or your system may not include the device appropriate to this test. Refer to the *SunVTS User's Guide* for more details.

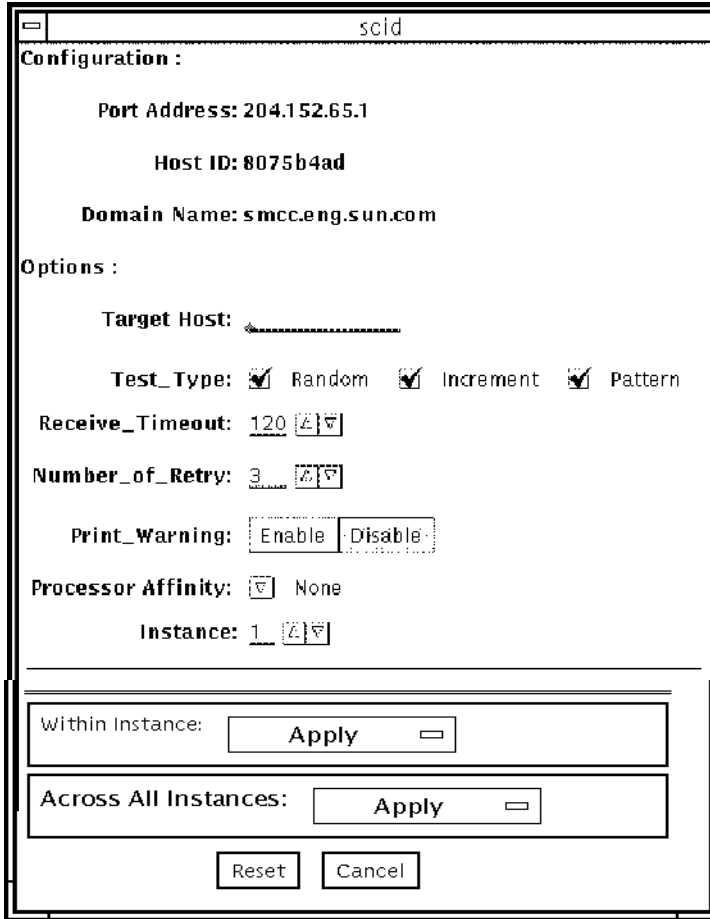


FIGURE 34-1 scitest Test Parameter Options Dialog Box

TABLE 34-1 scitest Options

scitest Options	Description
Target Host	Not used.
Receive Timeout field	Specify a number between 0–600 seconds. The default is 120 seconds.
Number of Retries field	The number of retries before an error is flagged. Specify a number between 0–128.
Print Warning	Disabled by default. Choose Enable to see warning errors, such as retry on timeout errors.

---

## scitest Test Modes

Connection, Functional, and online modes are supported by `scitest`. Different test schemes are performed on the network device based on the mode selected.

TABLE 34-2 `scitest` Test Modes

Test Mode	Supported?	Description
Connection	Yes	<code>scitest</code> checks if the device is connected. It searches through all the network interfaces for the specified device name. <code>scitest</code> finds the device not connected the test fails, otherwise, it returns <code>device is connected</code> .
Functional (offline)	Yes	<code>scitest</code> performs all three tests (Random test, Incremental test, and Pattern test) sequentially. It allows you to specify an option in such a way that <code>scitest</code> performs a very stressful test.
Functional (online)	Yes	<code>scitest</code> is aware that the user's application may be running, it tries to minimize the influence on the application while it is testing by only running the random test. Since the network device is shared and system resources are available, applications will not be heavily impacted.

---

## scitest Command-Line Syntax

```
/opt/SUNWvts/bin/scitest standard_arguments -o  
dev=interface,test=type,packets=n,pattern=hex,delay=seconds,  
timeout=seconds,retry=n,warn
```

TABLE 34-3 `scitest` Command-Line Syntax

Argument	Explanation
<code>dev=interface</code>	Network interface name. The default value is <code>1e0</code> for Ethernet networks.
<code>test=type</code>	The test type. Specify <code>random</code> , <code>increment</code> , or <code>pattern</code> . The default value is <code>random+increment+pattern</code> to run.
<code>packets=n</code>	Number of random/pattern packets. The default is 256.

**TABLE 34-3** `scitest` Command-Line Syntax

Argument	Explanation ( <i>Continued</i> )
<code>pattern=hex</code>	Specifies a data pattern in hexadecimal form. The default is all patterns from 0 to 0xff.
<code>delay=seconds</code>	Indicates the time between subtests in seconds. The default is 30 seconds.
<code>timeout=seconds</code>	Indicates the number of seconds to wait before a timeout. The default is 20 seconds.
<code>retry=n</code>	Indicates the number of test timeout retries. The default is three retries.
<code>warn</code>	When enabled, prints warning messages.

---

**Note** – 64-bit tests are located in the `sparcv9` subdirectory: `/opt/SUNWvts/bin/sparcv9/testname`. If a test is not present in this directory, then it may only be available as a 32-bit test. For more information refer to “32-Bit and 64-Bit Tests” on page 3.

---

# scitest Error Messages

TABLE 34-4 scitest Error Messages

Error Message	Probable Cause(s)	Recommended Action
4001 Unable to communicate from <i>string</i>	SCI adapter failure or no cable connected.	Check cable connections. Replace the SCI adaptor.
4002 Can not access /etc/sma.ip file. "I WILL STOP TESTING SCI INTERFACES"	/etc/sma.ip is missing, or the cluster is not configured, or this is an old cluster version.	Use sm_config to configure the cluster. Restore the files from a backup tape. Specify the cluster machines in the target host of test options before running the test.
6000 RPC broadcast failure <i>error_message</i>		
6001 Unable to resolve <i>host_name</i> ethernet address		
6002 No ICMP echo reply from <i>string</i>	SCI adaptor failure or no cable connected.	Check cable connections. Replace the SCI adaptor.
6003 ICMP echo reply incorrect length from <i>host_name</i> , exp <i>data</i> obs <i>data</i>		
6004 ICMP echo reply length <i>number</i> from <i>host_name</i> , data mismatch at byte <i>number</i> , exp <i>value</i> obs <i>value</i>		
6005 Unable to find any test target		
8000 Unable to open <i>device_name</i> <i>error_message</i>		
8001 Bad ioctl <i>name</i> <i>error_message</i>		
8002 Unable to allocate <i>number</i> bytes of memory <i>error_message</i>		
8003 System call <i>name</i> returned <i>value</i> <i>error_message</i>		
8004 Unable to map network entry for <i>host_name</i>		

**TABLE 34-4** scitest Error Messages (Continued)

	<b>Error Message</b>	<b>Probable Cause(s)</b>	<b>Recommended Action</b>
8006	Failed to allocate <i>number</i> bytes of swap space for configuration		
8007	dl_primitive response = <i>value</i>		
8008	dl_ok_ack: short response		
8009	dl_phys_addr_ack: short response		
8010	Invalid Argument <i>string</i>		
8011	Interface <i>device_name</i> not configured in system		
8012	SCITEST can not open/read /etc/sma.ip		

## SmartCard Test (`sctest`)

---

The SmartCard test (`sctest`) consists of a series of subtests to exercise smart cards and smart card readers. This test works with the Internal I2C SCM smart card reader, the SCMstc and Ibutton external serial smart card readers, and the Cyberflex™ and Ibutton™ smart cards. It exercises the Java™ card terminal reader driver, the Solaris I2C SCM device driver and the serial device driver.

`sctest` is only run as an intervention test. To select it, click the Intervention button in the Select Devices panel.



---

**Caution** – Do not use a smart card with real data for `sctest`. Allocate a scratch smart card for testing purposes only. Both the `sctestinit.sh` script and functions of `sctest` will wipe any existing data on the card.

---

---

**Note** – Do not run `sctest` and `sptest` at the same time. Test results will conflict if `sptest` is enabled when `sctest` is run. (Because it is an intervention test, `sptest` is disabled by default.)

---

---

## `sctest` Test Requirements

The following requirements must be met before running `sctest`:

- You must run the `sctestinit.sh` script
- You must have a scratch smart card ready
- You must enable the SunVTS intervention mode
- The `/usr/sbin/ocfserv` process must be running

To run the `sctestinit.sh` script, type the following at the command prompt:

```
% /opt/SUNWvts/bin/sctestinit.sh
```

Initialize the test card with the `sctestinit.sh` script before any test session, or any time a Write mode test is aborted. The script takes a few minutes to complete.

See “`sctest` Subtests” on page 337 for instructions on whether to insert the card during the test, or have it inserted before the test begins.

---

## Checking for `ocfserv`

To run `sctest` properly, the `ocf` server (`/usr/sbin/ocfserv`) must be running. Solaris starts `ocfserv` automatically when it begins. To check that `ocfserv` is running, go to a shell prompt and type:

```
# ps -eaf | grep ocfserv
```

If `ocfserv` is not running, invoke it by typing the following command at the shell prompt:

```
# /etc/init.d/ocfserv start
```

---

**Note** – The current version of `ocfserv` does not support the smart card `FileAccessCardService` tests.

---



---

# sctest Subtests

TABLE 35-1 sctest Subtests

Subtest	Description
Card Presence Detect test	Checks whether a card is present in the reader. Have the card in the reader to begin the test.
Card Lock/Unlock test	Exercises the functions that lock and unlock a card. Have the card in the reader to begin the test.
Insertion/Removal test	Tests detection of card insertion and removal. If the card is already in the reader, remove and reinsert when prompted. This test is disabled by default, since it requires user intervention.
PinCardService test	Waits for a card to be inserted, then performs authentication of the default PIN (\$\$\$java). Note: this subtest assumes the card has been initialized by the <code>sctestinit.sh</code> script.
Simple Authentication test	Waits for a card to be inserted, then performs authentication of the default PIN (\$\$\$java). Displays the username and password of an example user called AAA. This test only works for cards that have been initialized by the <code>sctestinit.sh</code> script. This subtest requires that the PinCardService test has validated the PIN on the smart card.
UserInfoCardService test	Waits for a card to be inserted, then performs authentication of the default PIN (\$\$\$java). Displays the user information such as the username and password of example user called AAA. If Write mode is enabled, the test will also create default user information for an example user BBB. If Verbose mode is enabled, this user information will be displayed. Next, the test deletes the user information for BBB. When the test queries for user information for BBB, it expects an exception (since this information is already deleted). This subtest requires that the PinCardService test has validated the PIN on the smart card.

---

# sctest Options

To reach the dialog box below, right-click on the test name in the System Map and select Test Parameter Options. If you do not see this test in the System Map, you might need to expand the collapsed groups, or your system may not include the device appropriate to this test. Refer to the *SunVTS User's Guide* for more details.

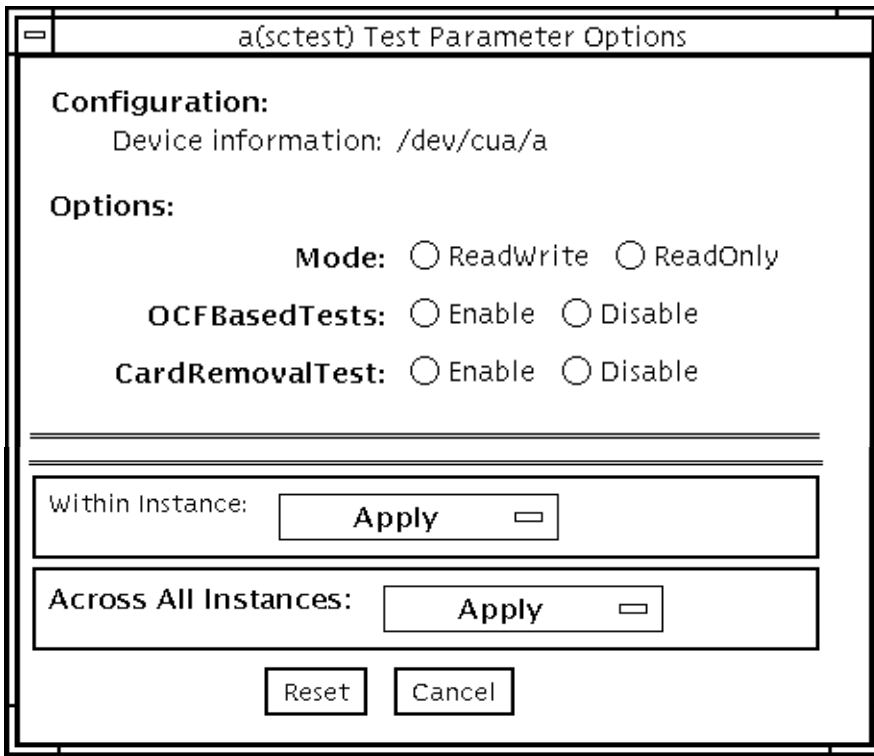


FIGURE 35-1 sctest Test Parameter Options Dialog Box

TABLE 35-2 sctest Options

sctest Options	Description
Mode	Enables or disables the Write mode for the UserInfoCard Service subtest.
OCF Based Tests	Enables or disables all of the following subtests: Card Presence Detect, Card Lock/Unlock, Insertion/Removal, PinCardService, Simple Authentication, and UserInfoCard.
Card Removal Test	Enables or disables the Insertion/Removal subtest.

---

# sctest Command-Line Syntax

*/opt/SUNWvts/bin/sctest standard\_arguments*  
*-o dev=a|b|i2cscmN,Mode=ReadWrite|ReadOnly,OCFBasedTests=Enable|Disable,*  
*CardRemovalTest=Enable|Disable*

**TABLE 35-3** sctest Command-Line Syntax

Argument	Explanation
<b>dev</b>	Names the type of device. The value <b>a</b> or <b>b</b> implies <code>ttya</code> or <code>ttyb</code> . <b>N</b> =0, 1, 2, and so on.
<b>Mode</b> <i>Enable Disable</i>	Enables or disables the Write mode for the UserInfoCard Service subtest.
<b>OCFBasedTests</b> <i>Enable Disable</i>	Enables or disables all of the following subtests: Card Presence Detect, Card Lock/Unlock, Insertion/Removal, PinCardService, Simple Authentication, and UserInfoCard.
<b>CardRemovalTest</b> <i>Enable Disable</i>	Enables or disables the Insertion/Removal subtest.

---

**Note** – 64-bit tests are located in the `sparcv9` subdirectory: `/opt/SUNWvts/bin/sparcv9/testname`. If a test is not present in this directory, then it may only be available as a 32-bit test. For more information refer to “32-Bit and 64-Bit Tests” on page 3.

---

---

## sctest Test Modes

**TABLE 35-4** sctest Test Modes

Test Mode	Supported?	Description
Connection	No	Future enhancement
Functional (Offline)	Yes	Runs the full set of tests
Functional (Online)	No	Not supported

---

## sctest Error Messages

**TABLE 35-5** sctest Error Messages

Error Message	Probable Cause(s)	Recommended Action	
6000	Cannot open /tmp/vts.sc		
6001	Register client failed, status= <i>data</i>	Not running Solaris 8 (build 30) or later Down rev'ed smartcard reader driver OCFserv is not running Faulty smartcard reader connection	Check revision of Solaris with <code>uname -r</code> Check revision of reader driver e.g <code>pkginfo -l packagename</code> (where <code>packagename</code> is either <code>SUNWocf</code> or <code>SUNWocfx</code> ) Check <code>ocfserv</code> is running with <code>ps -eaf   grep ocfserv</code> Check smartcard reader cable connection
6002	WaitForCardInserted failed	OCFserv is not running Faulty smartcard reader connection	Check <code>ocfserv</code> is running with <code>ps -eaf   grep ocfserv</code> Check smartcard reader cable connection
6003	Unable to lock card, status= <i>data</i>	OCFserv is not running Faulty smartcard reader Faulty smartcard	Check <code>ocfserv</code> is running with <code>ps -eaf   grep ocfserv</code> Replace smartcard reader and retry Replace smartcard and retry

**TABLE 35-5** sctest Error Messages (Continued)

	<b>Error Message</b>	<b>Probable Cause(s)</b>	<b>Recommended Action</b>
6004	Unable to unlock card, status= <i>data</i>	OCFserv is not running Faulty smartcard	Check ocfserv is running with ps -eaf grep ocfserv Replace smartcard or reinitialize smartcard and retry
6005	GetUserInfo failed, tag= <i>string</i>	OCFserv is not running Faulty smartcard Not using test smartcard	Check ocfserv is running with ps -eaf grep ocfserv Use test card or reinitialize smartcard and retry
6006	SetUserInfo failed, username= <i>string</i>	OCFserv is not running Faulty smartcard Not using test smartcard	Check ocfserv is running with ps -eaf grep ocfserv Use test card or reinitialize smartcard and retry
6007	Verify SetUserInfo failed, status= <i>data</i>	OCFserv is not running Faulty smartcard Not using test smartcard	Check ocfserv is running with ps -eaf grep ocfserv Use test card or reinitialize smartcard and retry
6008	Authentication failed	OCFserv is not running Faulty smartcard Not using test smartcard	Check ocfserv is running with ps -eaf grep ocfserv Use test card or reinitialize smartcard and retry
6009	Unable to get password or is NULL	OCFserv is not running Faulty smartcard Not using test smartcard Card not initialized	Check ocfserv is running with ps -eaf grep ocfserv Use test card or reinitialize smartcard and retry
6010	Invalid card	OCFserv is not running Faulty smartcard Not using test smartcard Card not initialized	Check ocfserv is running with ps -eaf grep ocfserv Use test card or reinitialize smartcard and retry
6011	Error in time since validated: <i>data</i>	OCFserv is not running Faulty smartcard Not using test smartcard Card not initialized	Check ocfserv is running with ps -eaf grep ocfserv Use test card or reinitialize smartcard and retry
6012	Validate PIN failed	OCFserv is not running Faulty smartcard Not using test smartcard Card not initialized	Check ocfserv is running with ps -eaf grep ocfserv Use test card or reinitialize smartcard and retry
6013	Change PIN failed: <i>data</i>	OCFserv is not running Faulty smartcard Not using test smartcard Card not initialized	Check ocfserv is running with ps -eaf grep ocfserv Use test card or reinitialize smartcard and retry

**TABLE 35-5** sctest Error Messages (Continued)

	<b>Error Message</b>	<b>Probable Cause(s)</b>	<b>Recommended Action</b>
6014	Pin Validation by incorrect pin failed	OCFserv is not running Faulty smartcard Not using test smartcard Card not initialized	Check ocfserv is running with <code>ps -eaf   grep ocfserv</code> Use test card or reinitialize smartcard and retry
6015	Restore PIN change failed: <i>data</i>	OCFserv is not running Faulty smartcard Not using test smartcard Card not initialized	Check ocfserv is running with <code>ps -eaf   grep ocfserv</code> Use test card or reinitialize smartcard and retry
6016	Set user <i>string</i> passwd failed\n	OCFserv is not running Faulty smartcard Not using test smartcard Card not initialized	Check ocfserv is running with <code>ps -eaf   grep ocfserv</code> Use test card or reinitialize smartcard and retry
6017	Get user <i>string</i> passwd failed	OCFserv is not running Faulty smartcard Not using test smartcard Card not initialized	Check ocfserv is running with <code>ps -eaf   grep ocfserv</code> Use test card or reinitialize smartcard and retry
6018	DeleteUserInfo <i>string</i> failed, status= <i>data</i>	OCFserv is not running Faulty smartcard Not using test smartcard Card not initialized	Check ocfserv is running with <code>ps -eaf   grep ocfserv</code> Use test card or reinitialize smartcard and retry
6019	User <i>string</i> info not deleted, status= <i>data</i>	OCFserv is not running Faulty smartcard Not using test smartcard Card not initialized	Check ocfserv is running with <code>ps -eaf   grep ocfserv</code> Use test card or reinitialize smartcard and retry
6020	Unexpected Status after delete of <i>string=</i> <i>data</i>	OCFserv is not running Faulty smartcard Not using test smartcard Card not initialized	Check ocfserv is running with <code>ps -eaf   grep ocfserv</code> Use test card or reinitialize smartcard and retry
6100	Cannot open device <i>string</i> , <i>string</i> .	I2C device driver not installed System software error	Install I2C device driver Check device tree configuration with <code>prtconf</code> Contact SUNvts support
6101	Ioctl <i>string</i> failed, <i>string</i> .	Device driver not installed System software error	Install I2C device driver Check device tree configuration with <code>prtconf</code> Contact SUNvts support
6102	Read failed, <i>string</i> .	Connectivity problem Card not seated Faulty reader	Check cable connectivity Check card Replace reader and retry Contact SUNvts support

**TABLE 35-5** sctest Error Messages (Continued)

	<b>Error Message</b>	<b>Probable Cause(s)</b>	<b>Recommended Action</b>
6150	Reg <i>string</i> read <i>data</i> miscompared, obs= 0x%02x, exp= 0x%02x, xor= 0x%02x	Faulty cardreader Potential cable connectivity System software error	Replace cardreader Check cable connectivity Contact SUNvts support
8000	Cannot gethostname due to <i>srro_r_message</i>		
8001	System call execve failed, due to <i>error_message</i>		
8002	Execve failed		
8003	Cannot fork process to start ocfserv		





## Environmental Sensing Card Test (`sentest`)

---

`sentest` checks the SCSI Environmental Sensing card (SEN) installed in the SPARCstorage RSM to monitor the enclosure environment. The SEN card monitors the enclosure's over-temperature condition, fan-failures, power-supply failures, and drive activity.

`sentest` verifies the SEN card by first setting each control function to a predetermined value, and then reading it back to verify if the value is correct.

`sentest` verifies the following control functions in the enclosure:

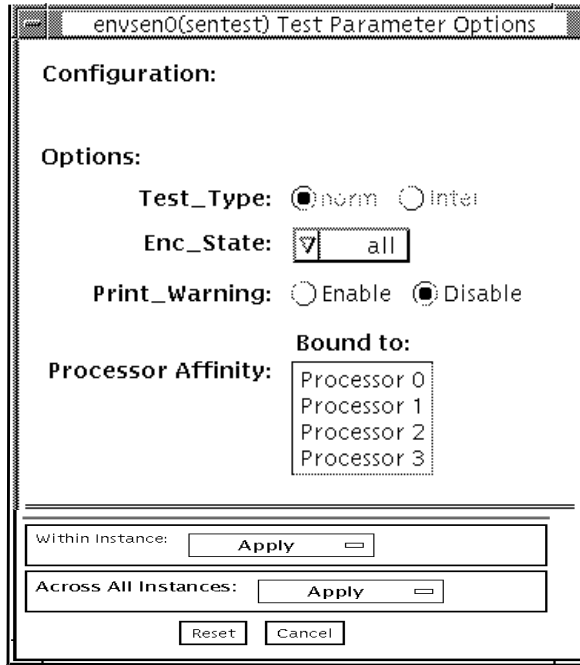
- Alarm (enable/disable)—`sentest` toggles the alarm to the disable state, then to the enable state.
- Alarm time (0-0xff seconds)—`sentest` sets the time (from 0 to 4095), then reads it back to verify the time setting.
- Drive fault LED (DL0-DL6)—`sentest` toggles each LED to its OFF and ON states.

`sentest` is a nonscalable test. It cannot verify the control function settings correctly if another instance is changing the setting.

---

### `sentest` Options

To reach the dialog box below, right-click on the test name in the System Map and select Test Parameter Options. If you do not see this test in the System Map, you might need to expand the collapsed groups, or your system may not include the device appropriate to this test. Refer to the *SunVTS User's Guide* for more details.



**FIGURE 36-1** `sentest` Test Parameter Options Dialog Box

**TABLE 36-1** `sentest` Options

<code>sentest</code> Option	Description
Test Type	Specifies the test to be performed. <code>Norm</code> test type performs normal testing as alarm enable/disable, alarm time setting, and drive LED on/off testing. Interactive test type reports the current enclosure status.
Enc_state	Specifies which subsystem's status in the enclosure is reported. Default is ALL. This test is only used with the inter test type and in Functional test. The test options are: <ul style="list-style-type: none"> <li>•Alarm enable/disable status</li> <li>•Drive present status</li> <li>•Drive LED status</li> <li>•Power modules status</li> <li>•Fan modules status</li> <li>•Over temperature, abs (abnormal, no immediate attention needed), chk (abnormal, immediate attention needed) status</li> <li>•All of the above</li> </ul>

---

## sentest Test Modes

sentest supports all three test modes. Each mode performs a different test scheme on the SEN card.

TABLE 36-2 sentest Test Modes

Test Mode	Supported?	Description
Connection	Yes	Checks the device connection by opening the device. If the device does not open, the device is not connected.
Functional (offline)	Yes	Checks three components within the enclosure. It checks alarm enable/disable, alarm time setting, and the drive LEDs. It does not test the power on/off function (only functions whose values can be changed are tested).
Functional (online)	Yes	sentest opens the device and reports the current enclosure status.

---

## sentest Command-Line Syntax

*/opt/SUNWvts/bin/sentest standard arguments*

*-o dev=interface, test=type, enc=component*

TABLE 36-3 sentest Command-Line Syntax

Argument	Explanation
<i>dev=interface</i>	SEN card device name; the default value is <i>ses0</i> .
<i>test=type</i>	Specifies the test type. Select <i>Norm</i> for normal testing or <i>Inter</i> for interactive testing; the default value is <i>Norm</i> . Possible values are: <i>norm</i> and <i>inter</i> .
<i>enc=component</i>	Indicates which part of the enclosure status is reported. The default value is <i>ALL</i> . Possible values are: <i>enalm</i> , <i>dp</i> , <i>dl</i> , <i>pm</i> , <i>fan</i> , <i>ovt</i> , and <i>ALL</i> .

---

**Note** – 64-bit tests are located in the `sparcv9` subdirectory: `/opt/SUNWvts/bin/sparcv9/testname`. If a test is not present in this directory, then it may only be available as a 32-bit test. For more information refer to “32-Bit and 64-Bit Tests” on page 3.

---

---

## sentest Error Messages

**TABLE 36-4** sentest Error Messages

Error Message	Probable Cause(s)	Recommended Action
6000	Check <code>alenb</code> failed, <code>exp=value</code> , <code>obs=value</code>	
6001	Check <code>alenb</code> failed, <code>exp=value</code> , <code>obs=value</code>	
6002	Check <code>alenb</code> failed, <code>exp=value</code> , <code>obs=value</code>	
6003	Check <code>altime</code> failed, <code>exp</code> <code>time=value</code> , <code>obs=value</code>	
6004	Fan failed	
6005	Dual fan failed	
6006	Enclosure over temperature	
6007	Device failed, need immediate attention	
6008	Power module A failed	
6009	power module B failed	
8000	power module B failed	
8001	<code>ioctl</code> get state failed, <code>errmsg=message</code>	
8002	<code>ioctl</code> get state failed, <code>errmsg=message</code>	

## Soc+ Host Adapter Card Test (socaltest)

---

`socaltest` aids the validation and fault isolation of the SOC+ host adapter card. In the case of a faulty card, the test tries to isolate the fault to the card, the GBIC module, or the DMA between the host adapter card and the host memory.

---

**Note** – Do not run `socaltest` and `enatest` at the same time, otherwise test failures might occur.

---

---

**Note** – Do not run `socaltest` and `disktest` at the same time, otherwise test failures might occur.

---

---

**Note** – Do not run `socaltest` with a high system load. Running this test with a large number of instances and concurrency might cause resource limitations that cause this test to fail.

---

---

### socaltest Options

To reach the dialog box below, right-click on the test name in the System Map and select Test Parameter Options. If you do not see this test in the System Map, you might need to expand the collapsed groups, or your system may not include the device appropriate to this test. Refer to the *SunVTS User's Guide* for more details.

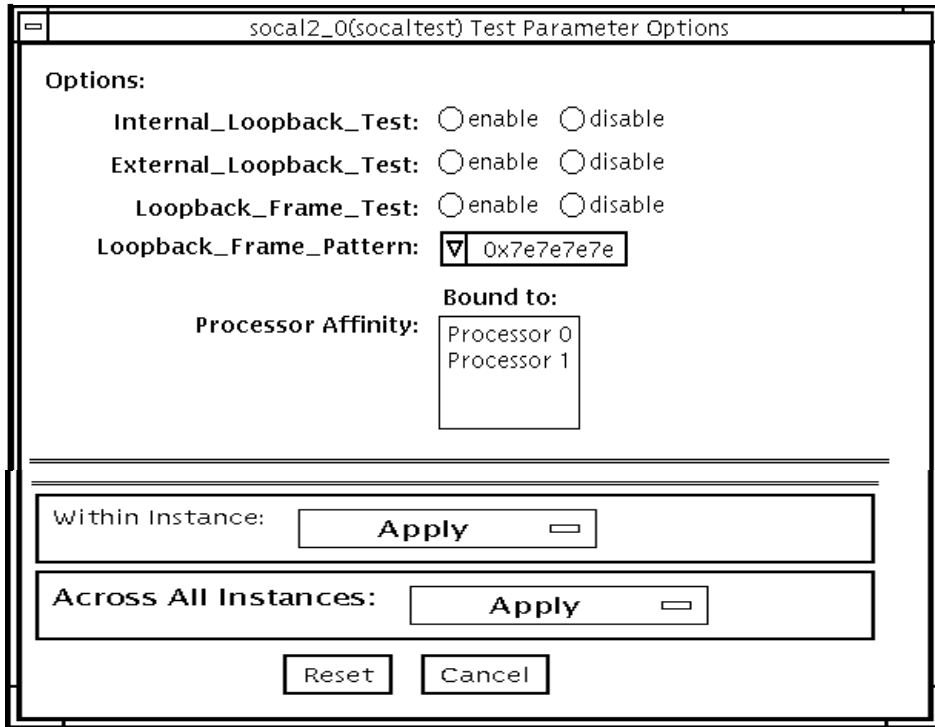


FIGURE 37-1 socialtest Test Parameter Options Dialog Box

**TABLE 37-1** socaltest Options

socaltest Options	Description
Internal Loopback test	<p>Checks the host adapter card and the direct memory access (DMA) with the host system. This is accomplished as follows:</p> <ol style="list-style-type: none"><li>1. A frame is created in the host adapter local memory, sent out through the SOC+ transmitter and internally looped back to the SOC+ receiver. The received data is compared with the original data.</li><li>2. A frame is created in the host adapter local memory, sent out through the SOC+ transmitter and looped back through the SERDES (serialiser-deserialiser) chip on the host adapter card. The received data is compared with the original data.</li><li>3. A frame is created in the host main memory, transferred through the DMA to the host adapter transmitter, looped back within the SOC+ chip, and transferred from the receiver to the host main memory through the DMA. The received frame is compared with the original transmitted frame, which tests the host memory to the host adapter DMA path.</li></ol>
External Loopback test	<p>The External Loopback test verifies the proper functioning of the GBIC module. A frame is created in the host adapter local memory, sent out and looped back through the external loopback connector attached to the port. If the external loopback test is run together with the internal loopback test, the DMA path is also tested by creating a frame in host main memory, transferring it to the host adapter through the DMA, looping it back through the external loopback connector and transferring the received frame back to the host main memory by DMA.</p>
Loopback Frame test	<p>Sends out a buffer initialized with the selected pattern and compares it with the looped back frame. It passes if the two compare and fails if they do not.</p>
Loopback Frame Pattern	<p>List of selectable patterns for the Loopback Frame test.</p>

**Note** – In addition to the tests described above, socaltest also tests the basic functions of the SOC+ chip, the on-board XRAM, and the host control buffer by invoking the appropriate tests implemented in firmware.

---

# socaltest Test Modes

TABLE 37-2 socaltest Test Modes

Test Mode	Supported?	Description
Connection	No	Not supported
Functional (Offline)	Yes	Runs the full set of tests
Functional (Online)	No	Not supported

---

**Note** – You cannot run the Internal and External Loopback tests if the port is connected to a disk array.

---

---

# socaltest Command-Line Syntax

```
/opt/SUNWvts/bin/socaltest standard arguments  
-o dev=device  
name,e1b=enabled/disabled,i1b=enabled/disabled,1bf=enable|disable,ptn=pattern
```

TABLE 37-3 socaltest Command-Line Syntax

Argument	Explanation
<i>dev=device name</i>	The name of the socal port to be tested.
<i>e1b=enabled/disabled</i>	Enables or disables the External Loopback test.
<i>i1b=enabled/disabled</i>	Enables or disables the Internal Loopback test.
<i>1bf=enable disable</i>	Enables or disables the Loopback Frame test.
<i>ptn=pattern</i>	Specify the pattern in hexadecimal, for example: <i>ptn=0x7e7e7e7e</i>



---

**Note** – 64-bit tests are located in the `sparcv9` subdirectory: `/opt/SUNWvts/bin/sparcv9/testname`. If a test is not present in this directory, then it may only be available as a 32-bit test. For more information refer to “32-Bit and 64-Bit Tests” on page 3.

---

## socaltest Error Messages

**TABLE 37-4** socaltest Error Messages

Error Message	Probable Cause(s)	Recommended Action
8000    Couldn't open <i>device_name</i>	SOC+ card not installed.	Verify that the target SOC+ card is installed properly.
8002    {SOC+ host adapter}-- {host memory} loopback test failed!	Fault in DMA between host and SOC+ host adapter.	Contact your authorized Sun service provider.
8006    SOC+ host adapter external loopback test failed!	Loopback cable not connected.  OEC module faulty or not installed properly.	Connect loopback cable.  Replace OEC module and retry.  Contact your authorized Sun service provider.
8009    SOC+ host adapter internal loopback test failed!	SOC+ host adapter is faulty or is not properly installed.	Verify that the SOC+ host adapter is installed properly.  Replace the host adapter and retry.  Contact your authorized Sun service provider.
8010    Failed ioctl <i>ioctl_name</i>	System error.	Contact your authorized Sun service provider.
8011    Host control buffer test failed	SOC+ host adapter is faulty.	Replace the host adapter and retry.  Contact your authorized Sun service provider.
8012    SOC+ selftest fails	SOC+ host adapter is faulty.	Replace the host adapter and retry.  Contact your authorized Sun service provider.

**TABLE 37-4** socaltest Error Messages (Continued)

Error Message	Probable Cause(s)	Recommended Action
8013 XRAM test fails	SOC+ host adapter is faulty.	Replace the host adapter and retry. Contact your authorized Sun service provider.
8015 Loopback frame test failed Mismatch in looped back frame Expected: <i>value</i> Observed: <i>value</i>		

## Serial Parallel Controller Test (spiftest)

---

The `spiftest` accesses card components such as the `cd-180` and `ppc2` chips, and the serial and parallel ports through the serial parallel controller device driver.

---

### spiftest Hardware Requirements

Before running the SunVTS system exerciser, make sure you install the cards to be tested and the device driver. You should also reboot your system with the `boot -r` command to reconfigure the system and allow the SunVTS kernel to recognize the new driver.

---

**Note** – The `spiftest` must be run in Intervention mode.

---

The following minimum hardware configuration is required to successfully run the Internal test:

- SBus-based SPARC desktop system with an SBus slot
- Serial parallel controller card, installed in one of the SBus slots

The following hardware is also required to run the other SunVTS serial parallel controller tests:

- Serial parallel controller patch panel (part number 540-2007)
- 96-pin loopback plugs (part number 370-1366)
- 25-pin serial loopback plugs (part number 540-1558)
- RS-232 serial cables (part number 530-1685)
- TTY terminal

---

# spiftest Options

To reach the dialog box below, right-click on the test name in the System Map and select Test Parameter Options. If you do not see this test in the System Map, you might need to expand the collapsed groups, or your system may not include the device appropriate to this test. Refer to the *SunVTS User's Guide* for more details.

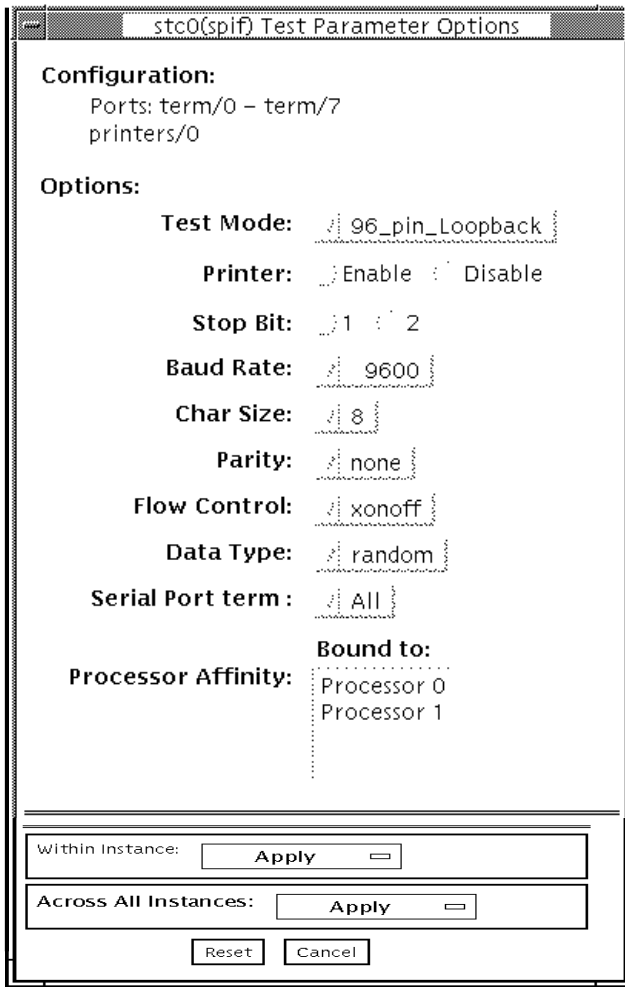


FIGURE 38-1 spiftest Test Parameter Options Dialog Box

The Configuration section of the Options dialog box displays the serial ports available for the SPC/S board. The available ports are listed in the table below.

**TABLE 38-1** `spiftest` Serial Ports for the SPC/S Board

Board Number	Board Device	Serial Ports	Parallel Ports
0	stc0	term/0-7	printers/0
1	stc1	term/8-15	printers/1
2	stc2	term/16-23	printers/2
3	stc3	term/24-31	printers/3
4	stc4	term/32-39	printers/4
5	stc5	term/40-47	printers/5
6	stc6	term/48-55	printers/6
7	stc7	term/56-63	printers/7

The `spiftest` options are described in the table below.

**TABLE 38-2** `spiftest` Options

<code>spiftest</code> Option	Description
96-pin Loopback (LB)	Provides data transmission, full-modem loopback, and parallel port loopback testing. You <i>must</i> attach a 96-pin loopback connector (part number 370-1366) to the card before running this test (see Appendix A, “96-Pin Female Loopback Connector” section).
Internal Test	Performs a quick internal check of the serial parallel controller card(s) installed in SBus slots. You do not need to attach anything to the card(s) to perform this test.
25-pin Loopback (LB)	Provides full-duplex transmission and full-modem loopback testing of the serial port selected in the Serial Port selection of this menu. You <i>must</i> attach the 25-pin Loopback plug to the serial port on the Serial Parallel Controller Patch Panel that is being tested (See Appendix A). This test cannot be run concurrently with the Echo-TTY option enabled.

**TABLE 38-2** spiftest Options

spiftest Option	Description
Echo-TTY	<p>Checks the proper operation of the serial port selected in the Serial Port section of this menu by echoing characters typed on a TTY terminal keyboard to the TTY terminal screen. The characters you type should be displayed on the TTY screen.</p> <p>Note: TTY connection to the <code>spif</code> serial port requires corresponding character size setup. For example, if a TTY attachment is running with 8-bit character size, then the <code>spiftest</code> option 'Char Size' should also be set to 8 bits. If you do not type within two minutes, this test will time-out. Terminate testing by pressing Control-C. After a short delay, the Status window updates the Pass Count.</p> <p>This test cannot be run concurrently with the 25-pin Loopback subtest.</p>
Printer	<p>Sends the entire ASCII character set to a parallel printer. You must attach a parallel printer to the parallel port on the Serial Parallel Controller patch panel. Observe the printer output to validate the test.</p>
Baud Rate	<p>Specifies the baud rate; choose 110, 300, 600, 1200, 2400, 4800, 9600, 19200, or 38400 baud.</p> <p>Note: The baud rate of 38400 can only be used if one port is tested at a time and the Internal Test is disabled.</p>
Char Size	<p>Indicates character length. Choose 5, 6, 7, or 8 characters.</p>
Stop Bit	<p>Specifies the number of stop bits. Choose 1 or 2 bits.</p>
Parity	<p>Specifies the selectable parity. Choose none, odd or even.</p>
Flow Control	<p>Specifies the selectable flow control. Choices are <code>xonoff</code>, <code>rtscts</code>, or <code>both</code>.</p>
Data Type	<p>Specifies the selectable data type pattern. It can be <code>0x55555555</code> (<code>0x55</code>), <code>0xaaaaaaaa</code> (<code>0xaa</code>), or random.</p>
Serial Port	<p>Specifies the serial port to be tested. The available ports are listed in the Configurations section at the top of the <code>spiftest</code> Options dialog box.</p>

You can also change the test options by modifying the `/opt/SUNWvts/bin/.customtest` file. See "Adding Your Own Tests" in *.customtest* in the *SunVTS User's Guide*.

---

# spiftest Test Modes

TABLE 38-3 spiftest Test Modes

Test Mode	Supported?	Description
Connection	No	Not supported
Functional (Offline)	Yes	Runs the full set of tests
Functional (Online)	No	Not supported

---

# spiftest Command-Line Syntax

`/opt/SUNWvts/bin/spiftest standard_arguments -o dev=device_name, M=test_mode,Ptr=enable/disable,B=baud_rate,Size=character_size,s=#of_stop_bits, Parity=parity,F=flow_control,Data=test_pattern,sp=serial_port`

TABLE 38-4 spiftest Command-Line Syntax

Argument	Explanation
<code>dev=device_name</code>	Specifies the serial ports in SBus card slots (0-63) being tested. Since there is no default, you must type a board name: <ul style="list-style-type: none"><li>• <code>stc0</code>—the 8 serial ports in the first card</li><li>• <code>stc1</code>—the 8 serial ports in the second card</li><li>• <code>stc2</code>—the 8 serial ports in the third card</li><li>• <code>stc3</code>—the 8 serial ports in the fourth card</li><li>• <code>stc4</code>—the 8 serial ports in the fifth card</li><li>• <code>stc5</code>—the 8 serial ports in the sixth card</li><li>• <code>stc6</code>—the 8 serial ports in the seventh card</li><li>• <code>stc7</code>—the 8 serial ports in the eighth card</li></ul>
<code>M=test_mode</code>	Specifies <code>Internal</code> , <code>96_pin_Loopback</code> , <code>25_pin_loopback</code> , or <code>Echo_TTY</code> test mode.
<code>Ptr=printer_test</code>	Enables or disables the Printer subtest.

**TABLE 38-4** spiftest Command-Line Syntax

Argument	Explanation
<b>B</b> = <i>baud_rate</i>	Sets the baud rate to 110, 300, 600, 1200, 2400, 4800, 9600, 19200, or 38400. The default is 9600. To use the 38400 rate, only one port at a time can be tested, and the <code>Internal</code> test must be disabled.
<b>Stop</b> = <i>#of_stop_bits</i>	Toggles the number of stop bits between 1 or 2. The default is 1.
<b>Size</b> = <i>character_size</i>	Sets character size as a number between 5 and 8.
<b>P</b> = <i>parity</i>	Specifies the parity as none, odd, or even. The default is none.
<b>F</b> = <i>flow_control</i>	Specifies flow control as <code>xonxoff</code> , <code>rtscts</code> , or <code>both</code> .
<b>Data</b> = <i>test_pattern</i>	Specifies test pattern as <code>0x55555555</code> , <code>0xAAAAAAAA</code> , or <code>random</code> .
<b>sp</b> = <i>serial_port</i>	Specifies the terminal and serial port number, such as <code>term/3</code> .

**Note** – 64-bit tests are located in the `sparcv9` subdirectory: `/opt/SUNWvts/bin/sparcv9/testname`. If a test is not present in this directory, then it may only be available as a 32-bit test. For more information refer to “32-Bit and 64-Bit Tests” on page 3.

## spiftest Error Messages

These error messages are generated when the SunVTS serial parallel controller discovers any errors. The error descriptions below identify probable causes for the card or test failure, and identify the Field Replaceable Unit (FRU), if possible. The three FRUs affected are: the serial parallel controller card, the 96-pin shielded cable, and the patch panel.

**TABLE 38-5** spiftest Error Messages

Error Message	Probable Cause(s)	Recommended Action
6000 <i>error_message</i>		
6001 Expected = <i>value</i> , observed = <i>value</i>		
6002 Expected <i>value</i> :		
6003 Observed <i>value</i> :		
6004 Modem Loopback test failed on <i>device_name</i>		



**TABLE 38-5** spiftest Error Messages (Continued)

	<b>Error Message</b>	<b>Probable Cause(s)</b>	<b>Recommended Action</b>
6005	Off-line error on device <i>device_name</i>		
6006	Paper out error on device <i>device_name</i>		
6007	Busy error on device <i>device_name</i>		
6008	Error on device <i>device_name</i>		
6009	retry <i>number</i> exceeds limit <i>number</i> rc =s <i>value</i>		
6010	Expected <i>number</i> bytes, observed <i>number</i> bytes		
6011	Internal test failed on <i>device_name</i>		
6012	Data Loopback test failed on <i>device_name</i>		
6013	ioctl TIOCSSOFTCAR error on <i>device_name</i>		
8000	Must provide device name!		
8001	No SPC/S card found or device driver not installed		
8002	ioctl TCSETS failed on <i>device_name</i>		
8003	Open error on <i>device_name</i> - device driver may not be installed properly		
8004	Device <i>device_name</i> is already opened		
8005	ioctl STC_SREGS(STC_IOREG- COR2) error in <i>device_name</i>		
8006	ioctl STC_GREGS(STC_IOREG- CCR) error in <i>device_name</i>		
8007	ioctl STC_S1REGS(STC_IOREG- CCR) error in <i>device_name</i>		
8008	ioctl STC_SREGS(STC_PPCREG- PDATA) error in <i>device_name</i>		
8009	ioctl STC_GREGS(STC_PPCREG- PDATA) error in <i>device_name</i>		

**TABLE 38-5** spifstest Error Messages (Continued)

	<b>Error Message</b>	<b>Probable Cause(s)</b>	<b>Recommended Action</b>
8011	ioctl TIOCMGET failed on <i>device_name</i>		
8012	<i>device_name</i> : Expected DSR set, observed clear		
8013	<i>device_name</i> : Expected DSR clear, observed set		
8014	ioctl TIOCMSET failed on <i>device_name</i>		
8015	ioctl TIOCMBIC failed on <i>device_name</i>		
8016	Read error on <i>device_name</i>		
8017	Write error on <i>device_name</i>		
8018	ioctl STC_GPPC error on device <i>device_name</i>		
8019	Can't kill all processes		
8020	Timeout error on <i>device_name</i> .	There is no loopback plug.	Check the loopback plug.
8021	Timeout error on <i>device_name</i>	TTY terminal not connected.	Check the TTY terminal connection.
8022	Timeout error on <i>device_name</i>		

## Serial Ports Test (`sptest`)

---

`sptest` checks the system's on-board serial ports (`zs[0,1]`, `zsh[0,1]`, `se[0,1]`, `se_hdlc[0,1]`), as well as any multi-terminal interface (ALM2) boards (`mcp[0-3]`). Data is written and read in asynchronous and synchronous modes utilizing various loopback paths.

Intervention mode must be enabled to run this test.

This test is non-scalable.

TABLE 39-1 Serial Port Tests

Mode	Description
Asynchronous testing	<p>This mode uses the asynchronous communication protocol as described in the <code>zs(7D)</code> and <code>se(7D)</code> man pages. The <code>termio(7I)</code> interface is used for configuring port characteristics.</p> <p>The user can select the loopback paths to use, the amount of data to transfer, and the baud rate to use.</p> <p>The test writes and reads data through the loopback path and compares the data to the original data. The test first sends a single character. If no errors or timeouts are detected, the rest of the data is simultaneously written and read, then compared.</p>
Synchronous testing	<p>This mode uses the synchronous hdlc-framing interface as described in the <code>zsh(7D)</code> and <code>se_hdlc(7D)</code> man pages. Data is written and read in checksum-protected packets.</p> <p>The user can select the loopback paths to use and the clock rate.</p> <p>The synchronous test runs in three phases:</p> <ul style="list-style-type: none"><li>• The first phase looks for activity on the port. If no activity is detected for at least four seconds, the test proceeds to the next phase. If activity is detected <code>sptest</code> exits with an error.</li><li>• The second phase attempts to send and receive one packet. If no packets are detected after five attempts, the test exits with an error. If a packet is returned, the result is compared to the original. If the length and content of the packets do not match exactly, the test exits with an error.</li><li>• The third phase attempts to send many packets through the loop. Some packet drops are to be expected especially on a heavily loaded system. The test allows a percentage of the packets to be dropped. The user can set the drop tolerance between 0 percent and 99 percent. The default is 20 percent. If the system is extremely busy then the drop tolerance should be increased. Each packet is compared with its original for length and content. If a mismatch is detected, the test exits with an error.</li></ul>

---

# Synchronous Testing Software Requirements

If you have `zs(7D)` serial ports on your machine, the synchronous devices may not exist. Look in the `/dev` directory for `zsh` (where `h=0` and/or `1`). If they do not exist, you can create them.

## ▼ To Create Synchronous Devices

1. **Verify that the following two lines are in the `/etc/devlink.tab` file. If they are not there, add them.**

```
type=ddi_pseudo;name=zsh zsh\M0
type=ddi_pseudo;name=clone;minor=zsh zsh
```



---

**Caution** – The white spaces in the lines above must be a single tab character before and after the `zsh` variables; using spaces will not work.

---

2. **When the lines have been added to the `/etc/devlink.tab` file, change directories to `/kernel/drv`, and run the `add_drv zsh` command.**
3. **If this command does not work, run the `rem_drv zsh` command and then run the `add_drv zsh` command again.**

---

## sptest Options

To reach the dialog box below, right-click on the test name in the System Map and select Test Parameter Options. If you do not see this test in the System Map, you might need to expand the collapsed groups, or your system may not include the device appropriate to this test. Refer to the *SunVTS User's Guide* for more details.

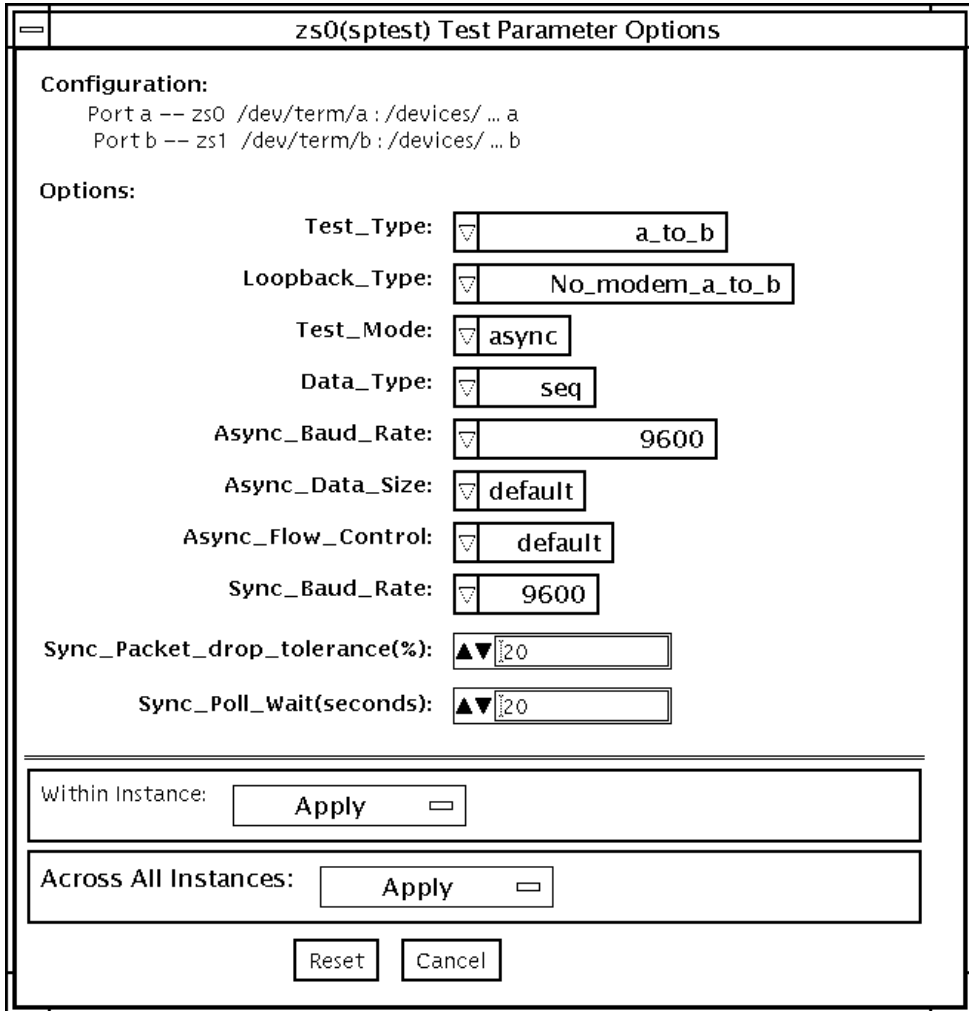


FIGURE 39-1 sptest Test Parameter Options Dialog Box

There are a variety of loopback paths available. The internal loopback paths do not require an external connector. Their availability depends on the device. The `zs(7D)` device has an internal path for synchronous mode and the `se(7D)` device has an internal path for asynchronous mode. The external loopback connectors are described in Appendix A. The exact type of loopback connector required depends on the system I/O panel.

Legend: In the following table, *a* represents port a of the CPU board (motherboard), *b* represents port b of the CPU board, and the device names of the ports for each CPU board are listed.

**TABLE 39-2** sptest Serial Devices

CPU	Port	Async Device	Sync Device
0	a	zs0 or se0	zsh0 or se_hdlc0
	b	zs1 or se1	zsh1 or se_hdlc1
1	a	zs2	zsh2 *
	b	zs3	zsh3 *
2	a	zs4	zsh4 *
	b	zs5	zsh5 *

\* Currently, only zsh0 and zsh1 are supported by device drivers.

**TABLE 39-3** sptest Options

sptest Options	Description
Test Type	<p>Selects how the test will run. Test options include:</p> <ul style="list-style-type: none"> <li>• a= runs the test on port a</li> <li>• b= runs the test on port b</li> <li>• a_b= runs the test on ports a and b sequentially</li> <li>• a_b_concurrent= runs the test on port a and port b concurrently.</li> </ul>
Test Mode	<p>Selects the mode to put the serial device into before running the test. The modes available are Asynchronous, Synchronous or Both. When Both is selected, the test runs in Asynchronous mode then Synchronous mode.</p>
Loopback Type	<p>Selects the loopback test. Options include:</p> <ul style="list-style-type: none"> <li>• Internal is an internal path for a, b, a_b, and a_b_concurrent test types.</li> <li>• Plug_a_to_a_b_to_b is an external loopback plug for a, b, a_b, and a_b_concurrent test types.</li> <li>• no_modem_a_to_b is an external loopback cable for a_to_b and a_to_b_concurrent test types.</li> <li>• Modem_a_to_b is an external loopback cable with a modem attached to generate synchronous Transmit and Receive clocks in synchronous mode. The modem a_to_b external loopback type is intended for Sun internal use only. It requires custom equipment that is not available.</li> </ul>

**TABLE 39-3** sptest Options

sptest Options	Description
Data Type	Selects the data pattern to transfer. The user can select: <ul style="list-style-type: none"><li>•Random</li><li>•Sequential</li><li>•Alphanumeric</li><li>•0x00-0xff</li></ul>
Async Baud Rate	Selects the baud rate for Asynchronous mode testing. The valid rates are: 110, 300, 600, 1200, 4800, 9600, 19200, 38400, 57600, 76800, 115200, 153600, 230400, 307200, 460800, and ALL. The default rate is 9600 baud. Some platforms can only support up to 38400 or 76800. The test will return an error if you try to use a higher baud rate than is supported. For baud rates greater than 153600 the serial line drivers must be set for RS-423 mode and not RS-232 mode. The RS-423 and RS-232 modes are usually selected by a hardware jumper on the motherboard. Consult your hardware installation manual for more information.
Async Block Size	Selects the size (in bytes) of each write. This can range from 1 to 10000. The default is 100. If it is larger than the async size it will be truncated to the async size.
Async Data Size	Selects the total number of bytes to transfer in Asynchronous mode. This can range from 1 to 10000.
Async Parity	Selects the parity to use in asynchronous mode. The user can select even, odd, or none. The default is none.
Async Flow Control	Selects the type of flow control to use in asynchronous mode testing. The user can select <code>Hardware (RTS/CTS)</code> , <code>Software (XON/XOFF)</code> or <code>None</code> . The default depends on the loopback type. Software flow control is not allowed on a, b, a_b, or a_b_concurrent loopback types.



**TABLE 39-3** sptest Options

sptest Options	Description
Sync Baud Rate	Selects the device generated clock rate for synchronous mode testing. The valid rates are from 110 to 230400. The rate does not have to be a specific value as required for async mode baud rates. The default rate is 9600. Some platforms can only support up to 38400 or 76800. The test will return an error if you try to use a higher rate than is supported. For rates greater than 100000 the serial line drivers must be set for RS-423 mode and not RS-232 mode. The RS-423 and RS-232 modes are usually selected by a hardware jumper on the motherboard. Consult your hardware installation manual for more information.
Sync Packet Drop Tolerance	Selects the tolerance level of Synchronous mode dropped packets during the many_packets subtest. The default is 20 percent. The valid range is from 0 percent to 99 percent. Some packet drops are expected especially at higher clock rates and on a heavily loaded system.
Sync Poll Count	Selects the number of seconds in additional time to wait for a Synchronous mode packet to be sent. Additional time may be needed when there is heavy system activity and time-outs are being detected. In general, the user can decrease the value to 0 when the system load is light or increase the value when there is a heavy system load.

---

# sptest Test Modes

sptest supports all three SunVTS test modes.

**TABLE 39-4** sptest Test Modes

Test Mode	Supported?	Description
Connection	Yes	sptest tries to open the port to determine if the device is connected. If it fails and the port is not busy, the test exits with an error. If it is successful or fails with a busy or exclusive use error, then the port is considered connected, and the test passes.
Functional (offline)	Yes	sptest performs the selected loopback test.
Functional (online)	Yes	sptest tries to minimize the impact on the applications that are running. The Online test runs in synchronous and asynchronous modes. If the device supports an internal loopback then the functional test is run utilizing the internal loopback. The <code>zs(7D)</code> device supports an internal synchronous loopback and the <code>se(7d)</code> device supports an internal asynchronous loopback.

---

# sptest Command-Line Syntax

```
/opt/SUNWvts/bin/sptest standard_arguments -o dev=device_name,  
porta=first_port_name,T=port,L=loopback_type,M=mode,D=data_pattern,  
AB=async_baudrate,BS=async_write_size,S=async_total_size,PAR=parity,  
F=flow_control,B=sync_speed,DP=sync_drop_tolreance,P=sync_timeout
```

TABLE 39-5 sptest Command-Line Syntax

Argument	Explanation
<b>dev</b> = <i>device_name</i>	Identifies the serial port(s) to test. There is no default value. You must specify a device name such as: <ul style="list-style-type: none"><li>• se0,</li><li>• zs0, zs1</li><li>• zs2, zs3</li><li>• ..., ...</li></ul>
<b>porta</b> = <i>port_name</i>	The name of the first device of a serial device pair. The default is a.
<b>M</b> = <i>mode</i>	The default test mode is asynchronous. Specify one of the following modes: <ul style="list-style-type: none"><li>• asynch</li><li>• synch</li><li>• both</li></ul>
<b>T</b> = <i>test_type</i>	Specifies the type of test to run: <ul style="list-style-type: none"><li>• a= runs the test on port a.</li><li>• b= runs the test on port b.</li><li>• a_b= runs the test on ports a and b sequentially.</li><li>• a_b_concurrent= runs the test on port a and port b concurrently.</li><li>• a_to_b= runs the test from port a to port b.</li></ul>
<b>L</b> = <i>test_loopback</i>	The type of loopback connector attached to ports: <ul style="list-style-type: none"><li>• No_modem_a_to_b</li><li>• Internal_a_to_a_b_to_b</li><li>• Plug_a_to_a_b_to_b</li><li>• Modem_a_to_b</li></ul>
<b>D</b> = <i>data_pattern</i>	Selects the data pattern to transfer. The user can select: <ul style="list-style-type: none"><li>• Random</li><li>• Sequential</li><li>• Alphanumeric</li><li>• 0x00-0xFF</li></ul>

**TABLE 39-5** `sptest` Command-Line Syntax (Continued)

Argument	Explanation (Continued)
<b>AB=</b> <i>baud_rate</i>	Asynchronous baud rate (default = 9600). The valid values are between 110 - 460800.  Note: Some platforms can only support asynchronous baud rates up to 38400 or 76800. For baud rates greater than 153600 the serial line drivers must be set for RS-423 mode and not RS-232 mode.
<b>BS=</b> <i>write_size</i>	Asynchronous mode write size; from 1 to 10000 bytes.
<b>S=</b> <i>size</i>	Asynchronous mode total number of bytes to write. 1 to 10000 bytes.
<b>PAR=</b> <i>parity</i>	Asynchronous mode parity type: <ul style="list-style-type: none"><li>• None</li><li>• Even</li><li>• Odd</li></ul>
<b>F=</b> <i>flow_control and default</i>	Asynchronous mode flow control <ul style="list-style-type: none"><li>• Hardware (RTS/CTS)</li><li>• Software (xon/xoff)</li><li>• None</li></ul>
<b>B=</b> <i>baud_rate</i>	Synchronous baud rate (default = 9600). The valid rates are between 110 - 256000.  Note: Some platforms can only support synchronous rates up to 38400 or 76800. For rates greater than 100000 the serial line drivers must be set for RS-423 mode and not RS-232 mode.
<b>DP=</b> <i>drop_tolerance</i>	Synchronous mode drop packet tolerance (default=20 percent).
<b>P=</b> <i>poll_seconds</i>	Synchronous mode additional wait time during poll (in seconds).

---

**Note** – 64-bit tests are located in the `sparcv9` subdirectory: `/opt/SUNWvts/bin/sparcv9/testname`. If a test is not present in this directory, then it may only be available as a 32-bit test. For more information refer to “32-Bit and 64-Bit Tests” on page 3.

---

# sptest Error Messages

TABLE 39-6 sptest Error Messages

Error Message	Probable Cause(s)	Recommended Action
6003 data miscompare, cnt = <i>number</i> , exp = <i>value</i> , obs = <i>value</i> , receive device = <i>name</i> , source device = <i>name</i> , baud rate = <i>value</i>	System load too heavy for selected baud rate.	Reduce the system load.
	Loopback connection defective.	Lower the baud rate.
	Bad serial port hardware.	Check loopback connection.
	System software error.	If the problem persists, contact your authorized Sun service provider.
6011 <i>name</i> : packet read failed, error = <i>error_message</i> , speed = <i>number</i>	System load too heavy.	Reduce the system load.
	Loopback connection missing or defective.	Check loopback connection.
	Bad serial port hardware.	If the problem persists, contact your authorized Sun service provider.
	System software error.	If the problem persists, contact your authorized Sun service provider.
6012 <i>name</i> : packet write failed, error = <i>error_message</i> , speed = <i>number</i>	System load too heavy.	Reduce the system load.
	Bad serial port hardware.	If the problem persists, contact your authorized Sun service provider.
	System software error.	If the problem persists, contact your authorized Sun service provider.
6013 Device ' <i>device_name</i> ' not responding. No data detected after <i>number</i> seconds. Received <i>number</i> bytes out of <i>number</i> sent. Baud rate = <i>number</i>	System load too heavy for selected baud rate.	Reduce the system load.
	Loopback connection missing or defective.	Lower the baud rate.
	Bad serial port hardware.	Check the loopback connection.
	System software error.	If the problem persists, contact your authorized Sun service provider.
6014 <i>name</i> : expected <i>text</i> got <i>text</i>		

**TABLE 39-6** sptest Error Messages (Continued)

Error Message	Probable Cause(s)	Recommended Action
6015 Incomplete write on Port <i>name</i> , len <i>number</i> should be <i>number</i> , speed = <i>number</i>	System load too heavy.	Reduce the system load.
	Loopback connection missing or defective.	Check loopback connection.
	Bad serial port hardware. System software error.	If the problem persists, contact your authorized Sun service provider.
6016 Incomplete read on Port <i>name</i> , len <i>number</i> should be <i>number</i> , speed = <i>number</i>	System load too heavy.	Reduce the system load.
	Loopback connection missing or defective.	Check loopback connection.
	Bad serial port hardware System software error.	If the problem persists, contact your authorized Sun service provider.
6018 <i>name</i> : port not ready for writing after <i>number</i> seconds, speed = <i>number</i>	System load too heavy.	Reduce the system load.
	Loopback connection missing or defective.	Check loopback connection.
	Bad serial port hardware. System software error.	If the problem persists, contact your authorized Sun service provider.
6020 packet data miscompare, cnt = <i>number</i> exp = <i>value</i> , obs = <i>value</i> , device = <i>name</i> , speed = <i>number</i>	System load too heavy.	Reduce the system load.
	Loopback connection defective.	Check loopback connection.
	Bad serial port hardware. System software error.	If the problem persists, contact your authorized Sun service provider.
6021 <i>name</i> : port not ready for reading after <i>number</i> seconds, no data available, speed = <i>number</i>	System load too heavy.	Reduce the system load.
	Loopback connection missing or defective.	Check loopback connection.
	Bad serial port hardware. System software error.	If the problem persists, contact your authorized Sun service provider.
6022 <i>name</i> : port not ready for writing after <i>number</i> seconds, wrote <i>number</i> bytes out of <i>number</i> . Baud rate = <i>number</i>	System load too heavy.	Reduce the system load.
	Loopback connection missing or defective.	Check loopback connection.
	Bad serial port hardware. System software error.	If the problem persists, contact your authorized Sun service provider.

TABLE 39-6 sptest Error Messages (Continued)

	Error Message	Probable Cause(s)	Recommended Action
8001	Test Type <code>a_to_b</code> is not allowed on Quick Test!		
8002	<i>name</i> : <code>open()</code> failed, error = <i>error_message</i>		
8003	Invalid Data Type: I= <i>text</i>		
8004	<i>name</i> : <code>poll()</code> error, (revents & (POLLERR   POLLHUP   POLLNVAL)) = <i>value</i>		
8005	Siemens serial device ( <i>se</i> ) does not support synchronous internal loopback test		
8006	Invalid port parameter: <i>name</i>		
8007	Invalid device name ' <i>name</i> ', must specify either <code>zsX</code> or <code>seX</code> , where X is the first instance number of a device pair (ex., <code>zs0</code> )		
8009	Failed <code>ioctl</code> <i>name</i> , device = <i>name</i> , error = <i>error_message</i>		
8010	<i>name</i> : Not able to push Tty compatibility STREAMS module		
8011	Invalid Test Type: T= <i>name</i>		
8012	Invalid Mode: M= <i>name</i>		
8013	<i>name</i> device does not exist		
8014	Invalid baud_rate: <i>number</i>		
8015	<code>write()</code> to <i>name</i> failed: <i>error_message</i> , baud rate = <i>number</i>		
8016	<code>read()</code> to <i>name</i> failed: <i>error_message</i> , baud rate = <i>number</i>		

**TABLE 39-6** sptest Error Messages (Continued)

Error Message	Probable Cause(s)	Recommended Action
8017 Invalid size, requested = <i>number</i> bytes, min = <i>number</i> , max <i>number</i>		
8018 Could not open <i>name</i> after waiting <i>number</i> seconds	Another process is using the port. Port is hung. Bad serial port hardware. System software error.	Stop other process using the port. If the problem persists, contact your authorized Sun service provider.
8021 <i>name</i> : No valid packets returned after <i>number</i> attempts, last error = <i>error_message</i> , wrote <i>number</i> packets, read <i>number</i> packets, device accounting shows <i>number</i> packets sent and <i>number</i> packets received	System load too heavy. Timeout too short. Loopback connection missing or defective. Bad serial port hardware. System software error.	Reduce the system load. Increase Sync_Poll_Count from pop menu. Check the loopback connection. If the problem persists, contact your authorized Sun service provider.
8022 printdlprim: unsupported primitive type <i>value</i>		
8023 stringtoaddr: invalid input string: <i>text</i>		
8025 dlinfoack: response ctl.len too short: <i>number</i>		
8026 dlinfoack: DL_INFO_ACK was not M_PCPROTO		
8027 dlokack: response ctl.len too short: <i>number</i>		
8028 dlokack: DL_OK_ACK was not M_PCPROTO		
8029 dlerrorack: response ctl.len too short: <i>number</i>		
8030 dlerrorack: DL_OK_ACK was not M_PCPROTO		
8031 dlbindack: response ctl.len too short: <i>number</i>		
8032 dlbindack: DL_OK_ACK was not M_PCPROTO		
8033 sigalrm: TIMEOUT		



TABLE 39-6 sptest Error Messages (Continued)

Error Message	Probable Cause(s)	Recommended Action
8037 invalid packet length: <i>number</i>		
8038 <i>name</i> : poll() failed, error = <i>error_message</i>	System load too heavy. Bad serial port hardware. System software error.	Reduce the system load. If the problem persists, contact your authorized Sun service provider.
8039 Failed I_STR ioctl, cmd = <i>name</i> , device = <i>name</i> , error = <i>error_message</i>		
8040 <i>name</i> : No packets sent, last error = <i>error_message</i> , wrote <i>number</i> packets, read <i>number</i> packets, device accounting shows <i>number</i> packets sent and <i>number</i> packets received	No transmit clock present. System load too heavy. Timeout too short. Loopback connection missing or defective. Bad serial port hardware. System software error.	Reduce the system load. Increase Sync_Poll_Count from the pop menu. Check the loopback connection. If the problem persists, contact your authorized Sun service provider.
8041 Sporadic packets detected on <i>name</i> . The port must be quiescent before running test	Another process is generating activity on the port. Bad serial port hardware. System software error.	Stop other process using the port. Stop other process using the port.
8042 syncinit: <i>name</i> missing minor device number		
8046 Test requires local or remote modem loopback (external data loop, external clocking)		
8047 <i>name</i> loopback type not allowed on Connection test		
8048 <i>name</i> loopback type not allowed on online mode		
8049 Invalid baud rate for device <i>name</i> , select between <i>number</i> and <i>number</i>		

**TABLE 39-6** sptest Error Messages (Continued)

Error Message	Probable Cause(s)	Recommended Action
8050 <i>name</i> internal loopback test not allowed on <i>name</i> device		
8051 Thread creation failed, <i>error_message</i>		
8054 <i>name</i> : At least <i>number</i> packets dropped (tolerance = <i>number</i> ), last error = <i>error_message</i> . Wrote <i>number</i> packets, read <i>number</i> packets. Device statistics shows <i>number</i> packets sent and <i>number</i> packets received. <i>number</i> packets dropped in outbound queueing, <i>number</i> packets dropped in inbound queueing	<p>System load too heavy.</p> <hr/> <p>Loopback connection missing or defective.</p> <hr/> <p>Bad serial port hardware.</p> <hr/> <p>System software error.</p>	<p>Reduce the system load.</p> <hr/> <p>Increase the drop tolerance option.</p> <hr/> <p>Check the loopback connection.</p> <hr/> <p>If the problem persists, contact your authorized Sun service provider.</p>
8055 <i>name</i> : <i>number</i> bad packets received, last error = <i>error_message</i> , wrote <i>number</i> packets, read <i>number</i> packets, device accounting shows <i>number</i> packets sent and <i>number</i> packets received	<p>System load too heavy.</p> <hr/> <p>Loopback connection missing or defective.</p> <hr/> <p>Bad serial port hardware.</p> <hr/> <p>System software error.</p>	<p>Reduce the system load.</p> <hr/> <p>Check the loopback connection.</p> <hr/> <p>If the problem persists, contact your authorized Sun service provider.</p>

## SunButtons Test (sunbuttons)

---

The `sunbuttons` test verifies that the SunButtons™ graphics manipulation device is working correctly.

---

**Note** – Do not run `sunbuttons` and `sundials` at the same time.

---

---

### sunbuttons Test Requirements

Install SunVTS making sure that the following packages are installed: `SUNWdial` and `SUNWdialh`.

---

### Running the sunbuttons Tests

The following tests verify the functionality of SunButtons:

#### ▼ To Use the `.customtest` File

Modify the `.customtest` file as described below to verify that each button functions. Each button lights up in a round-robin fashion.

---

**Note** – The `.customtest` file is located in two places. Modify the 32-bit (in the `/opt/SUNWvts/bin` directory) or the 64-bit (in the `/opt/SUNWvts/bin/sparcv9` directory) `.customtest` file according to the Solaris environment that you are using.

---

- **Edit the `.customtest` file to include the following lines:**

```
sunbuttons;sunbuttons; Mode<CYCLE|diag|diag|mode>
sundials;sundials; Mode<CYCLE|diag|diag|mode>
```

You may have to execute the `xhost +` command.

## ▼ To Configure the Port Using the `bdconfig` Command

1. **Run the `/usr/sbin/bdconfig` command to configure the `/dev/term/a` or `/dev/term/b` port and enable it. The following example shows how to check a configured serial port `b`:**

```
# ls -l /dev/bd*
lrwxrwxrwx 1 root  other    11 Nov 12 15:39 /dev/bd -> /dev/term/b
#
```

2. **Connect the `sunbuttons/sundials` device to your configured serial port (a or b).**

## ▼ To Start SunVTS

After starting SunVTS, you should see Customtest as one of the available options with `sundials` and `sunbuttons` available for selection.

1. **Change to the Functional test mode and enable Intervention.**
2. **Enable the `sunbuttons` and `sundials` tests.**
3. **Start testing.**  
In Diag mode, a pop-up window is displayed.
4. **Select the Diagnostics button.**

Let the test run its course (the Diagnostics button will be selectable again).

#### 5. Close the pop-up window.

The test should register a single pass.

---

**Note** – Do not run the `sundials` and `sunbuttons` tests at the same time.

---

### ▼ To Run the `sunbuttons` Test From a Shell Command Line

This is an interactive test. The test displays a screen representation of the buttonbox (see FIGURE 40-1) where you can press each of the buttons and see the corresponding button's display change.

- **To run the diagnostic test, select the Diagnostics Button on the top of the menu representation. The buttonbox buttons on the screen do not change while the diagnostics test is running.**

Be sure that the buttonbox is connected to one of the serial ports, and that the buttonbox has a power transformer.

There is no option dialog box for this test.

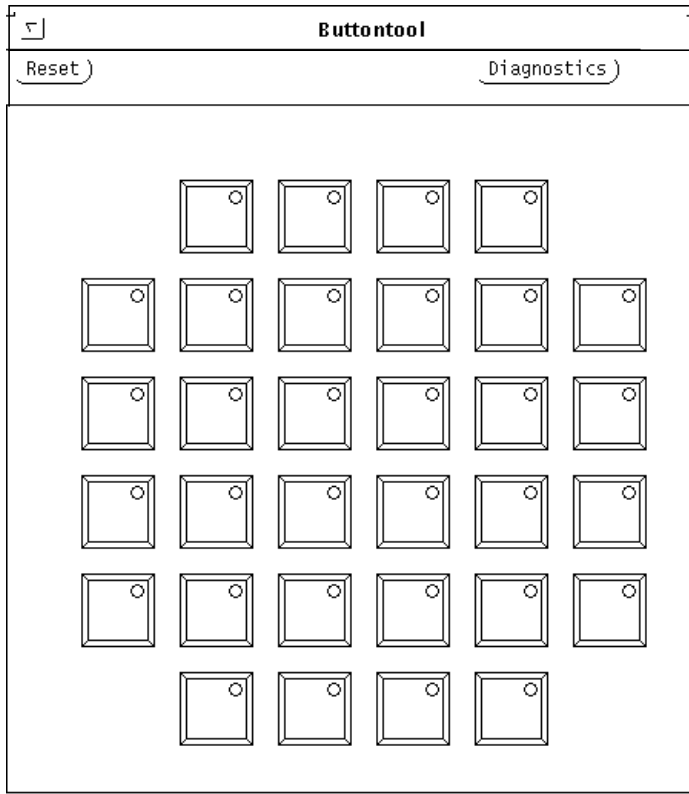


FIGURE 40-1 sunbuttonstool Test Tool

---

## sunbuttonstool Command-Line Syntax

`/opt/SUNWvts/bin/sunbuttonstool diag standard_arguments`

---

**Note** – 64-bit tests are located in the `sparcv9` subdirectory: `/opt/SUNWvts/bin/sparcv9/testname`. If a test is not present in this directory, then it may only be available as a 32-bit test. For more information refer to “32-Bit and 64-Bit Tests” on page 3.

---

---

## sunbuttons Test Modes

**TABLE 40-1** sunbuttonstest Test Modes

Test Mode	Supported?	Description
Connection	No	Not supported
Functional (Offline)	Yes	This mode verifies the functionality of each button, and lights each button in sequence.
Functional (Online)	No	Not supported

---

## sunbuttons Error Messages

**TABLE 40-2** sunbuttons Error Messages

	Error Message	Probable Cause(s)	Recommended Action
6000	Cannot open device		
6001	ioctl(VUIDSFORMAT, VUID_NATIVE)		
6002	Writing diag command failed		
6003	No response from Buttonbox		
6004	Selftest failed		
6005	Weird unknown kind of error		
6006	Can not open device /dev/db		
6007	ioctl(VUIDSFORMAT, VUID_NATIVE) -- you may need to run bdconfig		





---

## SunDials Test (`sundials`)

---

The `sundials` test verifies that the SunDials™ graphics manipulation device controls are working properly. `sundials` also verifies the connection between the dialbox and serial port.

---

**Note** – Do not run `sundials` and `sunbuttons` at the same time.

---

---

### Running the `sundials` Test

The following tests verify SunDial functionality.

#### ▼ Using the `.customtest` File

- **Modify the `.customtest` file to test the SunDials.**

Here is an example of a `.customtest` entry for `sundials`:

```
sundials;sundials;text<TEXT|20|-s|>
```

---

**Note** – The `.customtest` file is located in two places. Modify the 32-bit (in the `/opt/SUNWvts/bin` directory) or the 64-bit (in the `/opt/SUNWvts/bin/sparcv9` directory) `.customtest` file according to the Solaris environment that you are using.

---

## ▼ To Run the sundials Test From a Command Line

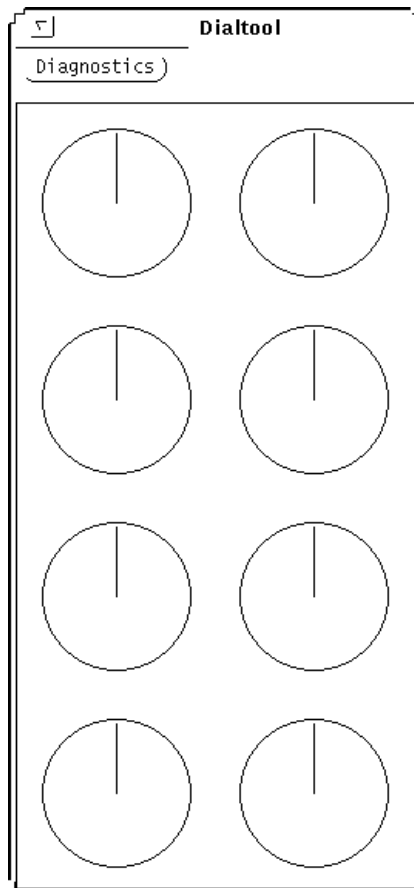
Running the `sundials` test from a command line starts an interactive test that displays a screen representation of the dialbox (see FIGURE 41-1). You can move each of the dials and see the corresponding dial's display change.

- **To run the interactive test, select the Diagnostics button on the top of the window representation. The dialbox has a power transformer.**

Be certain that the dialbox is connected to one of the serial ports and that the dialbox has a power transformer.

There is no Options dialog box for this test.

The `sundials` Test dialog box is shown in FIGURE 41-1.



**FIGURE 41-1** sundials Test Dialog Box

---

# sundials Test Modes

**TABLE 41-1** sundialstest Test Modes

Test Mode	Supported?	Description
Connection	No	Not supported
Functional (Offline)	Yes	This mode verifies the connection between the dialbox and serial port. The test also verifies all manipulation device controls.
Functional (Online)	No	Not supported

---

# sundials Command-Line Syntax

`/opt/SUNWvts/bin/sundials diag standard_arguments`

---

**Note** – 64-bit tests are located in the `sparcv9` subdirectory: `/opt/SUNWvts/bin/sparcv9/testname`. If a test is not present in this directory, then it may only be available as a 32-bit test. For more information refer to “32-Bit and 64-Bit Tests” on page 3.

---

---

# sundials Error Messages

**TABLE 41-2** sundials Error Messages

Error Message	Probable Cause(s)	Recommended Action
6000	Open failed for /dev/bd	
6001	ioctl(VUIDSFORMAT, VUID_NATIVE) error	
6002	ioctl(VUIDSFORMAT, VUID_EVENT) error	

**TABLE 41-2** sundials Error Messages (Continued)

	<b>Error Message</b>	<b>Probable Cause(s)</b>	<b>Recommended Action</b>
6003	Could not talk to Dialbox		
6004	Cannot open device		
6005	Writing Diag Command failed		
6006	No response from Dialbox		
6007	Selftest failed		
6008	Weird unknown kind of error		
6009	ioctl(VUIDSFORMAT, VUID_NATIVE) -- you may need to run bdconfig		



## HSI Board Test (`sunlink`)

---

The `sunlink` test verifies the functionality of the SBus and PCI bus HSI boards by using the HDLC protocol. `sunlink` initializes and configures the selected channel.

Next, `sunlink` opens a datagram socket and tries to modify the socket to accept `ioctl` communications with the driver, and receive synchronous mode information from it.

`sunlink` then opens the ports, linking the upper and lower layers with `ioctl` calls. After initialization, this test checks for activity before attempting to send or receive data. An error message is returned if activity is detected; otherwise the transmit buffer is filled with random data. Random data is used by default. You may also specify other patterns. The data is then transmitted. If the transmission succeeds, `sunlink` then receives the returned data and verifies that it is identical to what was sent. Finally, statistics about the send and receive are gathered from the socket.

A full `sunlink` test takes approximately eight minutes per port and makes a brief check of the board ports before the actual test begins. If the port is bad, the test immediately aborts and returns an error message.

---

### `sunlink` Test Requirements

This test will not pass unless you install the correct loopback connectors or port to port cables on the ports you are testing. The ports specified for test in the Options dialog box must have loopback connectors attached. See Appendix A for loopback connector part numbers and wiring instructions.

# sunlink Options

To reach the dialog box below, right-click on the test name in the System Map and select Test Parameter Options. If you do not see this test in the System Map, you might need to expand the collapsed groups, or your system may not include the device appropriate to this test. Refer to the *SunVTS User's Guide* for more details.

The Configuration field displays the available ports. (See FIGURE 42-1.)

**hihp0(sunlink) Test Parameter Options**

**Configuration:**  
Amount: 400KB  
Ports: 0 1 2 3  
Port type: RS449  
Protocol: HDLC

**Options:**

**Clock Source:**  Baud  External

**Internal Loopback:**  Enable  Disable

**Baud\_Rate:** ▲▼ 100000

**Ports:** ▼ 0+1+2+3

---

Within Instance:

---

Across All Instances:

FIGURE 42-1 sunlink Test Parameter Options Dialog Box



**TABLE 42-1** sunlink Options

sunlink Options	Description
Clock source	Select either the onboard clock or an external clock for use when using sunlink. To use the external clock option, the transmit, receive, and clock data lines must be physically loopbacked.
Internal Loopback	Enables or disables internal loopback tests. Internal Loopback is only needed when the Loopback setting is not port-to-port, and the clock source is onboard.
Port	Specifies the loopback type: simple single external port loopback, multiple external port loopback, and port-to-port external loopback.

## sunlink Command-Line Syntax

`/opt/SUNWvts/bin/sunlink standard_arguments -o dev=device_name,p=port#,P=data_pattern,I,C=B/E`

**TABLE 42-2** sunlink Command-Line Syntax

Argument	Explanation
<code>dev=device_name</code>	Specifies the device to be tested.  Use <code>hih0</code> for the HDLC protocol
<code>p=ports</code>	Specifies the port number to be tested.
<code>P=data_pattern</code>	Specifies the <code>data_pattern</code> as one of the following: <ul style="list-style-type: none"> <li>• <code>c</code>—Character (0x55)</li> <li>• <code>i</code>—Incrementing</li> <li>• <code>d</code>—Decrementing</li> <li>• <code>r</code>—Random (default)</li> </ul>
<code>I</code>	Enables internal loopback for HSI.
<code>c=clocksource</code>	Specifies the clock source value as one of the following: <ul style="list-style-type: none"> <li>• <code>B</code>—Onboard clock source</li> <li>• <code>E</code>—External clock source</li> </ul>

The following is a typical command-line syntax for testing an HSI board:

```
# /opt/SUNWvts/bin/sunlink -o dev=hih0,P=0+1+2+3
```

This command tests the internal loopback for ports 0, 1, 1, and 3. It does not run for the port to port internal loopback test.

---

**Note** – 64-bit tests are located in the `sparcv9` subdirectory: `/opt/SUNWvts/bin/sparcv9/testname`. If a test is not present in this directory, then it may only be available as a 32-bit test. For more information refer to “32-Bit and 64-Bit Tests” on page 3.

---

---

## sunlink Test Modes

**TABLE 42-3** sunlinktest Test Modes

Test Mode	Supported?	Description
Connection	No	Not supported
Functional (Offline)	Yes	Runs the full set of tests
Functional (Online)	No	Not supported

---

## sunlink Loopback Connectors

Refer to Appendix A of this manual for information on loopback cables and loopback connectors. Refer to the High Speed Serial Interface hardware manuals for information on null modem cables.

---

# sunlink Error Messages

**TABLE 42-4** sunlink Error Messages

	<b>Error Message</b>	<b>Probable Cause(s)</b>	<b>Recommended Action</b>
6000	Device name must be provided!		
6001	Invalid port specification		
6002	Invalid port number		
6003	BSC protocol is not implemented for <i>device_name</i>		
6004	ASYNC protocol is not implemented for <i>device_name</i>		
6005	Illegal protocol specified for ' <i>device_name</i> '		
6006	Could not open file: <i>file_name</i>		
6007	Could not open file devname <i>device_name</i>		
6008	Could not open file (clonename) <i>file_name</i>		
6009	Can't get sync mode info for <i>device_name</i>		
6010	Can't set sync mode info for <i>device_name</i>		
6011	Couldn't successfully execute '/usr/sunlink/dcp/dcp <i>file_name</i>		
6012	Packet received but none sent! Activity on-line. Quiesce other end before starting		
6013	Transmit failed on ' <i>device_name</i> '		
6014	Receive failed on ' <i>device_name</i> '		
6015	Data compare error on ' <i>device_name</i> ', exp = <i>value</i> , actual = <i>value</i> , offset = <i>number</i>		

**TABLE 42-4** sunlink Error Messages (Continued)

	<b>Error Message</b>	<b>Probable Cause(s)</b>	<b>Recommended Action</b>
6016	<i>device_name</i> does not respond	No loopback plug. System load is too heavy.	Check the loopback plug. Reduce the system load.
6017	sigalrm: TIMEOUT	No loopback plug. System load is too heavy.	Check the loopback plug. Reduce the system load.
8000	Unsupported primitive type <i>value</i>		
8001	<i>text</i> ( <i>error_message</i> )		
8002	Response ctl.len too short: <i>value</i>		
8003	DL_INFO_ACK was not M_PCPROTO		
8004	DL_OK_ACK was not M_PCPROTO		

## Sun PCi Test (`sunpcitest`)

---

The `sunpcitest` tests the SunPCiTM plug-in PCI card, which is an X86 processor embedded in an add-on card. The `sunpcitest` also monitors and reports messages from the processor self-tests.

---

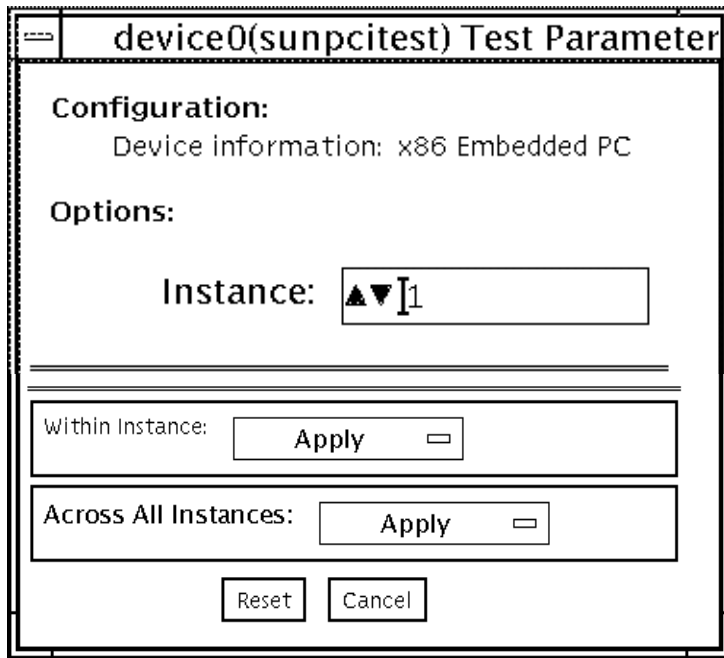
### `sunpcitest` Test Requirements

Before running the test, the X-window for the SunPCi must be shut down. Otherwise, the test will not launch.

---

### `sunpcitest` Options

To reach the dialog box below, right-click on the test name in the System Map and select Test Parameter Options. If you do not see this test in the System Map, you might need to expand the collapsed groups, or your system may not include the device appropriate to this test. Refer to the *SunVTS User's Guide* for more details.



**FIGURE 43-1** sunpcitest Test Parameter Options Dialog Box

sunpcitest only runs with the default parameters in place. Thus, this test does not allow any options to be configured specifically for an individual system. The number of instances is preset to 1 (the default value), as only one local copy of the test is supported.

---

## sunpcitest Test Modes

TABLE 43-1 sunpcitest Test Modes

Test Mode	Supported?	Description
Connection	No	Not supported
Functional (Offline)	Yes	Runs the full set of tests
Functional (Online)	No	Not supported

---

## sunpcitest Command-Line Syntax

`/opt/SUNWvts/bin/ftcptest` [*standard arguments*]

---

**Note** – There are no test-specific options for `sunpcitest`.

---

---

**Note** – 64-bit tests are located in the `sparcv9` subdirectory: `/opt/SUNWvts/bin/sparcv9/testname`. If a test is not present in this directory, then it may only be available as a 32-bit test. For more information refer to “32-Bit and 64-Bit Tests” on page 3.

---

# sunpcitest Error Messages

TABLE 43-2 sunpcitest Error Messages

Error Message	Probable Cause	Recommended Action
6000	Please enter an appropriate value, <i>string</i> =?	
6001	Bad test option: <i>string</i>	
6002	Found error in subtest	
6003	This is an error message.	
6004	Test Failed. Found <i>data</i> errors.	
6005	Test Failed. Check the presence of the card and connection.	
6006	PCI-PCI Bridge Primary ID detection failed.	
6007	PCI-PCI Bridge Secondary ID detection failed	
6008	PCI-PCI Bridge SRATCHPAD walk1 failed at pattern 0x%x	
6009	PCI-PCI Bridge SRATCHPAD walk0 failed at pattern 0x%x	
6010	PCI-PCI Bridge control and status register read failure, pattern 0x%x	
6011	PCI-PCI Bridge control and status register write failure, pattern 0x%x	
6012	PCI-PCI Bridge register compare failure	
6013	PCI-PCI Bridge configuration space register read failure, offset 0x%x	
6014	PCI-PCI Bridge configuration space register write failure, offset 0x%x	
6015	Can not open device SunPCi Card, one instance may be already running	
6016	Reading BiST failed	
6017	Writing BiST failed	



**TABLE 43-2** sunpcitest Error Messages

<b>Error Message</b>	<b>Probable Cause</b>	<b>Recommended Action</b>
6018	Expected boot signature is not seen	
6019	An unknown error is detected	
6020	CSR SCRATCHPAD7 read failure	
8000	Unexpected error occurred	
8001	X86 Processor test 1 failed	
8002	X86 CPU register test failed	
8003	Initialization of on-board chips failed	
8004	Memory Refresh function failed	
8005	Keyboard controller initialization failed	
8006	Unexpected error occurred	
8007	CMOS failed/battery low	
8008	Either early chipset initialization failed or first 64K memory undetected	
8009	Cache Initialization failed	
8010	Initialization of the interrupt vectors failed	
8011	CMOS checksum error detected	
8012	Keyboard controller detection failure	
8013	Detect and initialize video adapter	
8014	Test video memory failed	
8015	Test DMA controller 0 failed	
8016	Test DMA controller 1 failed	
8017	Test DMA page registers failed	
8018	Test PCI-PCI bridge 21554 failed	
8019	Unexpected error occurred	
8020	Test 8254 Timer 0 counter 2 failed	
8021	Test 8259 channel 1 masked interrupts failed	

**TABLE 43-2** sunpcitest Error Messages

<b>Error Message</b>	<b>Probable Cause</b>	<b>Recommended Action</b>
8022	Test 8259 channel 2 masked interrupts failed	
8023	Some of the 8259 interrupts is struck	
8024	An interrupt in 8259 was forced but not seen	
8025	NMI is struck and can not be cleared	
8026	Read CPU clock failed	
8027	Obsolete function failed	
8028	Unexpected error occurred	
8029	Unexpected error occurred	
8030	Unexpected error occurred	
8031	Unexpected error occurred	
8032	Unexpected error occurred	
8033	Unexpected error occurred	
8034	Unexpected error occurred	
8035	Unexpected error occurred	
8036	Unexpected error occurred	
8037	Unexpected error occurred	
8038	Unexpected error occurred	
8039	Unexpected error occurred	
8040	Unexpected error occurred	
8041	Unexpected error occurred	
8042	Unexpected error occurred	
8043	Unexpected error occurred	
8044	Unexpected error occurred	
8045	Unexpected error occurred	
8046	Unexpected error occurred	
8047	Unexpected error occurred	
8048	Sizing base memory failed	
8049	Testing base memory failed	

**TABLE 43-2** sunpcitest Error Messages

<b>Error Message</b>	<b>Probable Cause</b>	<b>Recommended Action</b>
8050	Unexpected error occurred	
8051	Unexpected error occurred	
8052	Unexpected error occurred	
8053	Unexpected error occurred	
8054	Unexpected error occurred	
8055	Unexpected error occurred	
8056	Unexpected error occurred	
8057	Unexpected error occurred	
8058	Unexpected error occurred	
8059	Unexpected error occurred	
8060	Setup enabled	
8061	Mouse detection/interrupt vector install failed	
8062	Initialize cache controller	
8063	Unexpected error occurred	
8064	Virus protection switch toggle failed	
8065	Initialization of (emulated) floppy drive or its controller failed	
8066	Initialization of (emulated) hard drive or its controller failed	
8067	Initialization of serial, parallel or game port failed	
8068	Initialization of math coprocessor failed	
8069	Unexpected error occurred	
8070	Unexpected error occurred	
8071	Unexpected error occurred	
8072	Unexpected error occurred	
8073	Unexpected error occurred	
8074	Unexpected error occurred	
8075	Unexpected error occurred	
8076	Unexpected error occurred	

**TABLE 43-2** sunpcitest Error Messages

<b>Error Message</b>	<b>Probable Cause</b>	<b>Recommended Action</b>
8077	Unexpected error occurred	
8078	There has been a fatal error detected	
8079	Set password function failed	
8080	Write CMOS back to RAM failed	
8081	Enable parity checking, NMI and cache failed	
8082	Initialization of option ROM failed	
8083	Initialization of time value in BIOS	
8084	Unexpected error occurred	
8085	Unexpected error occurred	
8086	Unexpected error occurred	
8087	Unexpected error occurred	
8088	Unexpected error occurred	
8089	Unexpected error occurred	
8090	Unexpected error occurred	
8091	Unexpected error occurred	
8092	Unexpected error occurred	
8093	Unexpected error occurred	
8094	Unexpected error occurred	
8095	Unexpected error occurred	
8096	Setup of virus protect according to setup menu failed	
8097	Setup speed for system boot failed	
8098	Setup num lock according to menu failed	

## System Test (`systemst`)

---

`systemst` checks the CPU board by exercising the I/O, memory, and CPU channels simultaneously as threads. There is no quick test option for `systemst`; it is a CPU stress test.

---

### `systemst` Options

To reach the dialog box below, right-click on the test name in the System Map and select Test Parameter Options. If you do not see this test in the System Map, you might need to expand the collapsed groups, or your system may not include the device appropriate to this test. Refer to the *SunVTS User's Guide* for more details.

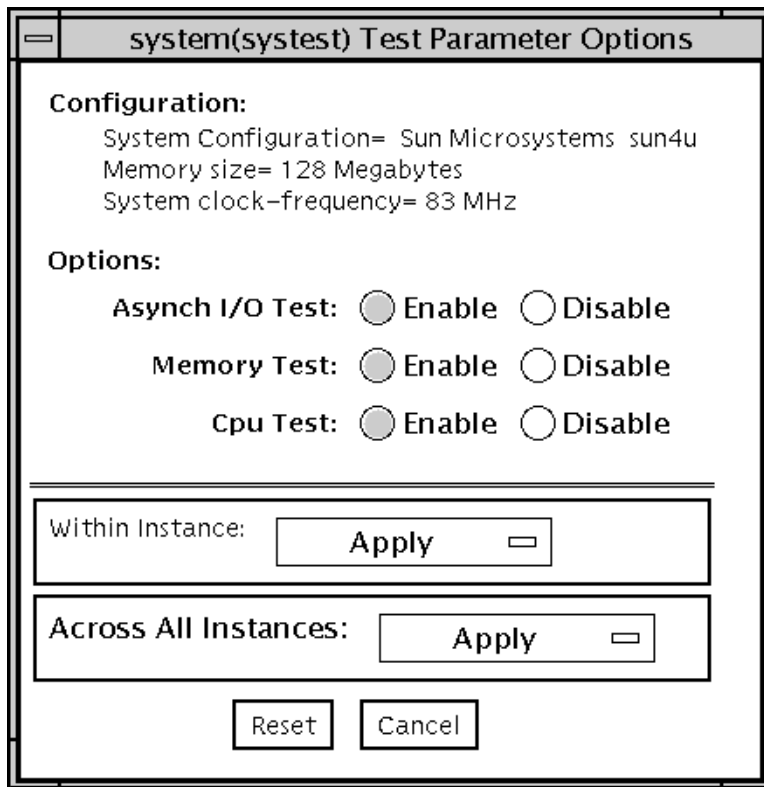


FIGURE 44-1 *systest* Test Parameter Options Dialog Box

---

# systemst Test Modes

TABLE 44-1 systemst Test Modes

Test Mode	Supported?	Description
Connection	No	Not supported
Functional (Offline)	Yes	Runs the full set of tests
Functional (Online)	No	Not supported

---

# systemst Command-Line Syntax

`/opt/SUNWvts/bin/systemst standard_arguments`

---

**Note** – 64-bit tests are located in the `sparcv9` subdirectory: `/opt/SUNWvts/bin/sparcv9/testname`. If a test is not present in this directory, then it may only be available as a 32-bit test. For more information refer to “32-Bit and 64-Bit Tests” on page 3.

---

---

# systemst Error Messages

TABLE 44-2 systemst Error Messages

Error Message	Probable Cause(s)	Recommended Action
6005 ( <i>thread_id</i> )Couldn't open file /dev/mem: <i>error_message</i>		
6006 ( <i>thread_id</i> )'valloc' results incorrect: <i>error_message</i>		
6008 ( <i>thread_id</i> )kvm_open() failed: <i>error_message</i>		

**TABLE 44-2** systest Error Messages (Continued)

	<b>Error Message</b>	<b>Probable Cause(s)</b>	<b>Recommended Action</b>
6009	( <i>thread_id</i> )kvm_nlist() failed: <i>error_message</i>		
6010	( <i>thread_id</i> )Defective namelist in '/vmunix'		
6011	( <i>thread_id</i> )Couldn't read physical memory list: <i>error_message</i>		
6012	( <i>thread_id</i> )Couldn't read physical memory address		
6013	( <i>thread_id</i> )Couldn't read physical memory size: <i>error_message</i>		
6014	Cannot open <i>device_name</i>		
6015	Test Failed due to segment violation error	Lack of sufficient memory resources.	Retry the test after increasing available memory.
6016	Test Failed due to fpu bus error	Lack of sufficient memory resources.	Retry test after increasing available memory.
6017	Test Failed due to fpu exception error	Lack of sufficient memory resources.	Retry test after increasing available memory.
6018	Test Failed due to illegal instruction	Lack of sufficient memory resources.	Retry test after increasing available memory.
6020	Memory allocation failure (calloc/malloc)	Lack of sufficient memory resources.	Retry test after increasing available memory.
6022	Failed to get current value bound to the key. thr_getspecific call failure. Error: <i>error_message</i>	Lack of sufficient memory resources.	Retry test after increasing available memory.
6024	Failed to create a new key. thr_keycreate call failure. Error: <i>error_message</i>	Lack of sufficient memory resources. The max. limit for the number of keys for the process was exceeded.	Retry test after increasing available memory.
6026	Failed to bind a new thread specific value to the key. thr_setspecific call failure. Error: <i>error_message</i>	Lack of sufficient memory resources.	Retry test after increasing available memory.
6028	thr_getspecific call gets NULL value for the key	Lack of sufficient memory resources.	Retry test after increasing available memory.



**TABLE 44-2** `systest` Error Messages (Continued)

	<b>Error Message</b>	<b>Probable Cause(s)</b>	<b>Recommended Action</b>
8000	Failed system test (FPU, VMEM, I/O)		
8001	Failed system test (FPU, VMEM, I/O).: <i>error_message</i>		
8002	Symbol string not found in kernel image		
8003	Couldn't open file /dev/mem: <i>error_message</i>		
8004	Unable to read pointer to memlist structure		
8005	Unable to read 'size' and 'address' in memlist		
8007	read( ) at address 0x%llx failed ( <i>string</i> )		
8009	llseek to address 0x%llx failed ( <i>string</i> )		
8010	kvm_open() failed: <i>error_message</i>	Attempted to use a 32-bit version of the libkvm \ interfaces to open a 64-bit kernel image.	Run the 64-bit version of the test.
8011	No physical memory found		



## Tape Drive Test (tapetest)

---

The `tapetest` synchronous I/O test writes a pattern to a specified number of blocks (or, for a SCSI tape, writes to the end of the tape). The `tapetest` then rewinds the tape and reads and compares the data just written. The `tapetest` asynchronous I/O test sends a series of up to five asynchronous read/write requests to the tape drive, writing to the tape and then reading and comparing the data. The `tapetest` file test writes four files to the tape and then reads them back, comparing the data. For tape library testing, the pass count is incremented only after all tapes in the library have been tested.

---

### tapetest Test Requirements

If you have a tape drive in your system, load a blank writable tape (scratch tape) before you start SunVTS. If you fail to do this, the `tapetest` option displays `drive type: unknown` on the option menu for the `tapetest`.

---

### tapetest Options

To reach the dialog box below, right-click on the test name in the System Map and select Test Parameter Options. If you do not see this test in the System Map, you might need to expand the collapsed groups, or your system may not include the device appropriate to this test. Refer to the *SunVTS User's Guide* for more details.

`tapetest` supports 4-mm, 8-mm, DLT, 1/4-inch cartridge, and 1/2-inch front-load tape drive testing. The options available for each of the tape devices differ slightly. An example of the Options dialog box for a device is shown in FIGURE 45-1.

The Async I/O subtest uses the asynchronous read and write feature of the Solaris tape driver to exercise tape drives. In read-only mode the test sends a maximum of four asynchronous read packets, each with a random size and a random offset, to the tape drive. The test then waits for all outstanding I/O activity to complete before issuing another round of packets. This process continues until the whole area being tested has been covered. In read-write mode, one write packet is issued for every four read packets to ensure a spot check of the write operation. The area of the tape to be tested is written to first in order for the test to work correctly. This test is only supported under the Solaris 2.6 and Solaris 7 operating environments and compatible releases.

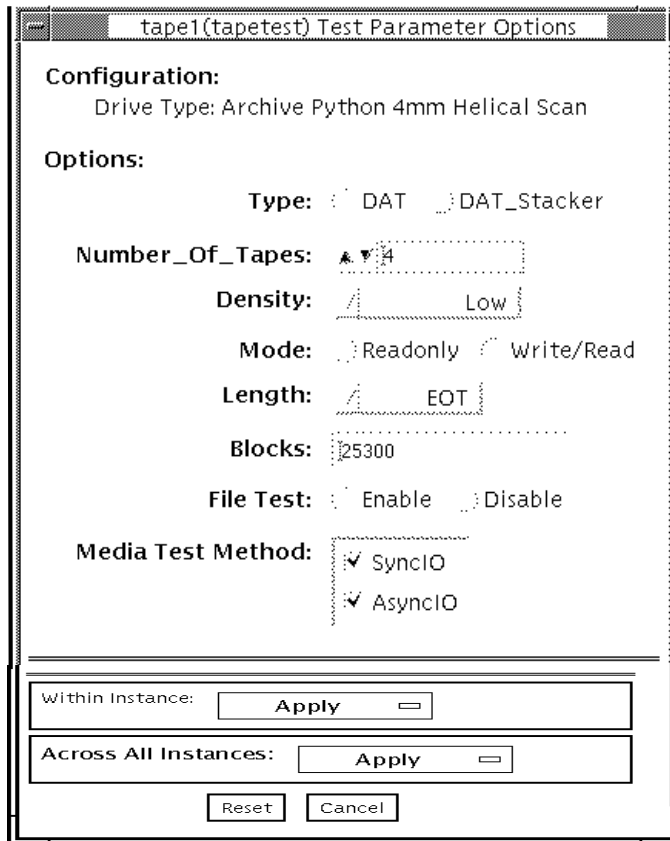


FIGURE 45-1 tapetest Test Parameter Options Dialog Box (4-mm tape drives)

---

**Note** – This test does not immediately stop after being disabled.

---

FIGURE 45-1 shows an example of the options menu for a 4-mm tape drive.

---

**Note** – The Options dialog box for the 1/4-inch, 1/2-inch, DLT, and 8-mm tape drives differ slightly from FIGURE 45-1.

---

**TABLE 45-1** tapetest Options

tapetest Options	Description
Type	Normal tape drive or tape library (stacker).
# of Tapes	The number of tapes in the tape library. tapetest registers a single tape library pass only after all tapes in the library pass.
Density	<p>The following settings are available for most tape drives:</p> <ul style="list-style-type: none"> <li>• Low—Tests the l tape device.</li> <li>• Medium—Tests the m tape device.</li> <li>• Compression—Tests the c tape device.</li> <li>• All—Tests the l, m, and c tape devices.</li> </ul> <p>For half-inch tape drives, the available settings are 800, 1600, and 6250 BPI (blocks per inch).</p> <p>For certain QIC drives select QIC-11 (1-byte block ID) mode, QIC-24 (4-byte block ID) mode, or both.</p>
Mode	If you enable Write/Read mode, the test first writes to the tape and then reads it back to compare. If you enable Read_Only mode, the test assumes the tape has been properly written and merely reads and compares. This mode is useful to check proper head alignment.
Length	<p>The amount of the tape to be tested. The choices are:</p> <ul style="list-style-type: none"> <li>• -EOT: The default; tests to the entire tape.</li> <li>• -Long: The SCSI tape tests 70,000 blocks of the tape.</li> <li>• -Short: Only the first 1000 blocks are tested.</li> <li>• -Specified: You must type the number of blocks to be tested in the # of blocks field.</li> </ul>
# of Blocks	If you select Specified under the Length option, you must type the number of blocks you want to test.
Blocksize	Block size specification. This option is only available for Tandberg QIC tape drives. There are two possible values. 512-bytes is for use with older tape media that have transfer size restrictions, while 64-kbytes is for use with current, high-capacity tape media.

**TABLE 45-1** tapetest Options

tapetest Options	Description
File Test	<p>The tape file test sequence is as follows:</p> <ol style="list-style-type: none"><li>1. Writes three files</li><li>2. Rewinds</li><li>3. Reads part of the first file</li><li>4. Forward spaces to the start of the second file</li><li>5. Reads the second file</li><li>6. Forward spaces to the start of the third file</li><li>7. Tries to read to the end of that file for SCSI tapes only, the tape file test tries to backspace to the start of the second file and read it</li></ol>
Retention	<p>When enable is selected, the program retensions the tape.</p>
Media Test Method	<ul style="list-style-type: none"><li>• Sync I/O—tapetest reads and or writes the number of blocks selected in Length.</li><li>• Async I/O—tapetest makes four asynchronous read requests to the tape drive. If read and write testing is selected, one asynchronous write request is also sent. The test continues after completing the requests.</li></ul> <p>Note – When testing Tandberg QIC drives, Async I/O testing is restricted to read-only due to asynchronous behavior differences with other tape drives.</p>

---

# tapetest Test Modes

The tapetest supports all three modes. It performs different test schemes on the tape device, according to the mode you select.

TABLE 45-2 tapetest Test Modes

Test Mode	Supported?	Description
Connection	Yes	tapetest verifies that the drive can be opened and that the drive type can be determined. If both checks are successful, or if the drive is currently busy, then the test passes. The tapetest fails if the open operation is unsuccessful for any reason other than the drive is busy.
Functional (offline)	Yes	tapetest checks the status, rewinds the tape, erases and retensions it. If the device is a cartridge tape, tapetest writes a pattern to nblks or eot (default), rewinds the tape, and then reads and compares of the pattern.
Functional (online)	Yes	tapetest opens the device and reads several blocks from it. If the read operation is successful, the test passes. On the other hand, if the device is busy or if no tape cartridge can be found in the drive, the test cannot run and fails.

---

# tapetest Command-Line Syntax

```
/opt/SUNWvts/bin/tapetest standard_arguments -o dev=device_name,  
s=block_count,d=density,m=mode,l=length,method=method,ft=enables/disables,  
ret=enables/disables,dat=dat_type,8mm=8mm_type,num=magazine_size,  
blocksize=block_size
```

TABLE 45-3 tapetest Command-Line Syntax

Argument	Explanation
dev=device_name	Specifies the device_name of the tape drive (required).
s=block_count	Specifies the number of blocks to be tested.
d=density	Specifies the density of the tape to open.
m=mode	Enables either the Write_Read or Read_Only tests.
l=length	Specifies the length of the test (EOT, Specified, Long, or Short).

**TABLE 45-3** tapetest Command-Line Syntax (*Continued*)

Argument	Explanation ( <i>Continued</i> )
<b>method=method</b>	Specifies the media test method (SyncI/O and or AsyncI/O) used.
<b>ft=enables/disables</b>	Enables or disables the File test.
<b>ret=enables/disables</b>	Enable or disables tape retention.
<b>dat=dat_type</b>	If you are testing a digital audio tape drive, specify whether it is a regular DAT drive or a DAT stacker. The choices are DAT and DAT_Stacker.
<b>8mm=8mm_type</b>	If you are testing an 8-mm tape drive, specify whether it is a regular 8-mm tape drive or a tape library. The command line choices are 8mm and 8mm_Library.
<b>num=magazine_size</b>	If you are testing a tape library, specify the magazine size.
<b>blocksize=block_size</b>	If you are testing a Tandberg QIC drive, specify whether to use a 64 kbyte block transfer or a 512 byte block transfer. Use 512 bytes when testing older media in the drive.

---

**Note** – 64-bit tests are located in the `sparcv9` subdirectory: `/opt/SUNWvts/bin/sparcv9/testname`. If a test is not present in this directory, then it may only be available as a 32-bit test. For more information refer to “32-Bit and 64-Bit Tests” on page 3.

---



# tapetest Error Messages

**TABLE 45-4** tapetest Error Messages

	<b>Error Message</b>	<b>Probable Cause(s)</b>	<b>Recommended Action</b>
6000	Missing device name	No device name is specified.	Retry test with correct device name specification.
6001	Failed ioctl on unload and load next tape: err_code = <i>number</i> !	This stacker/library unit may lack the Automatic Cycle option.	Run the test with Single Pass Option enabled.
6002	Cannot open <i>device_name</i> : <i>error_message</i>	No tape media in drive.	Load tape media and retry test.
6005	Cannot close <i>device_name</i> : <i>error_message</i>	Bad drive.	Retry test; if problem persists, check or replace the drive.
6006	<i>text</i> write failed on <i>error_message</i> , block <i>number</i> : EOF reached	EOF reached prematurely.	Retry test with reduced blocksize specification or until EOF.
6007	<i>text</i> write failed on <i>device_name</i> , block <i>number</i> : <i>error_message</i> , sense key(0x <i>value</i> ) = <i>text</i>	Drive needs attention.	Perform action to reset sense key and retry the test.
6008	<i>text</i> read failed on <i>device_name</i> , block <i>number</i> : EOF reached	EOF reached prematurely.	Retry test with reduced blocksize specification or until EOF.
6009	<i>text</i> read failed on <i>device_name</i> , block <i>number</i> : <i>error_message</i> , sense key(0x <i>value</i> ) = <i>text</i>	Drive needs attention.	Perform action to reset sense key and retry test.
6010	<i>text</i> compare failed on <i>device_name</i> , block <i>number</i> , offset <i>number</i> , pattern 0x <i>value</i> , data= 0x <i>value</i>	Bad drive.	Retry test; if problem persists, check or replace the drive.
6011	<i>device_name</i> tape MTIOCGETDRIVETYPE ioctl: <i>number</i>	Bad drive.	Retry test; if problem persists, check or replace the drive.
6012	<i>text</i> failed on <i>device_name</i> : <i>error_message</i>	Bad drive.	Retry test; if problem persists, check or replace the drive.
6013	Failed Connection test on <i>device_name</i> : <i>error_message</i>	Broken cable. Bad drive.	Check or replace the cable. Check or replace the drive.

**TABLE 45-4** tapetest Error Messages (Continued)

	<b>Error Message</b>	<b>Probable Cause(s)</b>	<b>Recommended Action</b>
6014	Failed Online test: <i>device_name</i>	Device may be in use.	Retry later.
6015	Failed Online test: <i>device_name: error_message</i>	No tape media in drive.	Load tape media and retry test.
6016	Online test was unsuccessful: <i>device_name</i>	No tape media in drive.	Load tape media and retry test.
6017	Failed Online read test: <i>device_name</i>	Bad drive.	Retry test; if problem persists, check or replace the drive.
6018	Open Failed on <i>device_name: error_message</i>	Broken cable.	Check or replace the cable.
		Bad drive.	Check or replace the drive.
6018	recon: No Corresponding SCSI disk device		
6019	Needs both SCSI disk and SCSI tape to run the test		
6020	Couldn't retention ' <i>device_name</i> '		
6021	Couldn't read file ' <i>device_name</i> '		
6022	SCSI disconnect/ reconnect failed		
6023	Spurious signal received from child		
2005	Tandberg QIC Read/Write media failure	Incorrect test settings for older QIC tape media.	Retry the test and specify a 512- byte blocksize. Retry the test with a read-only setting. Use the highest capacity tape media that the drive will allow (refer to tape drive documentation for QIC media compatibilities.).

## S24 Frame Buffer Test (`tcxtest`)

---

Through a series of protocol, memory, acceleration, and colormap tests, `tcxtest` checks the functionality of the S24 Frame Buffer SBus card used on the SPARCstation5 and checks the FSV (fast SBus video) ASIC on the SPARCstation4 motherboard.

---

**Note** – Disable all screen savers before testing any graphics device. Type `xset s off` at a UNIX prompt to disable the Solaris screen saver.

---

---

### Test Groups

`tcxtest` has four distinct test groups.

- AFX Protocol tests (in 8/16/32/64-bit mode):
  - WRC
- Frame Buffer Memory tests (in 8/16/32/64-bit14 mode):
  - address
  - constant
  - random
- Acceleration tests (both User and Raw modes):
  - blit
  - stip
- Colormap and Cursor tests:
  - cursor (does not apply to SPARCstation4)
  - colormap

# tcxtest Subtests

TABLE 46-1 tcxtest Subtests

tcxtest Subtests	Description
WRC	By performing multiple writes and reads, and then verifying the results, the WRC test exercises the FIFO inside the S24 chip. The WRC test is composed of these three subtests: <code>test_afx_alt_wr</code> , <code>test_memafx</code> , and <code>test_afx_random</code> . If these tests fail, they print an error message showing the expected and observed data.
Test_afx_alt_wr	This test performs 16 writes to alternative pages, for example, WR (Page1), WR (Page2), WR (Page1+off), WR (Page2+off), and so on. It then reads back the data and compares it with the expected results. This test also writes to the frame buffer space 16 times, followed by a write to a different page in the frame buffer space. The test then reads this data back and verifies it with the expected results.
Test_memafx	<p>The CPU in the SWIFT chip has closely coupled interfaces for the DRAM and the AFX bus. This test checks the arbitration between the two accesses.</p> <p>This test performs a number of alternating writes to the AFX and the CPU memory. After writing to different locations, the test reads and verifies the data. By performing an access across the page boundaries, the test covers both the cached and non-cached accesses.</p>
Test_afx_random	<p>After writing to one page in the DRAM memory, the test performs a few random writes/reads to random locations in the AFX space. The test then writes to a different page in the DRAM space, where it performs random accesses.</p> <p>This test does not perform any data verification, it just checks to see if any of these random accesses caused a time out.</p>
Constant	This test writes a data pattern to the whole memory. This pattern is read back and compared with the expected data. Once the memory fill operation is completed, the test reads the memory back and verifies that the value read is correct.
Address	This test writes a data pattern (which is same as the value of the address) to the whole memory. This pattern is then read back to verify that it is the correct value.

**TABLE 46-1** `tcxtest` Subtests

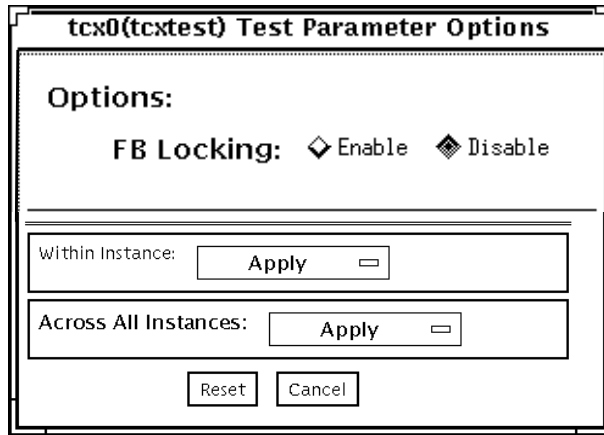
<code>tcxtest</code> Subtests	Description
Random	This test writes a random data pattern to the whole memory. This pattern is read back and compared with the expected data. After the memory fill operation is completed, the test reads the memory and verifies the values read are correct.
Blit	This test has two parts; the raw <code>blit</code> test and the user <code>blit</code> test. The raw <code>blit</code> test draws a 64x64x24 pixel image at the top-left corner of screen. Next it <code>blits</code> the image to the screen. The destination images are read back and compared with the original image to verify the raw <code>blit</code> operation has run correctly. The user <code>blit</code> test draws a 64x64x24 pixel image at the top left corner of screen. It then <code>blits</code> the image to the screen. The destination images are read back and compared with the original image. The user <code>blit</code> test is the same as the raw <code>blit</code> test, except the user <code>blit</code> test uses the user data space for the <code>blit</code> command.
Stip	This test performs numerous corner cases for stipple. The test writes to the destination with different data values using a stipple operation. The destination data is read back and verified. For the fast SBus video (SV), the following is checked: <ul style="list-style-type: none"> <li>• Walks 1 through pixel mask</li> <li>• Walks 1 through ROP bits</li> <li>• Walks 1 through destination byte</li> <li>• Walks 1 through IDX byte</li> </ul>
Cursor (does not apply to SPARCstation 4)	This test performs a data register regression test. It writes a walking 1 pattern to the cursor data registers. The data is then read back and verified with the expected results. The test is repeated using a walking 0 as the data pattern
Colormap	Loads all locations in the colormap with varying values of RGB.  Note: If the system being tested has a monochrome or greyscale monitor, visual color problems are undetectable.

## `tcxtest` Options

To reach the dialog box below, right-click on the test name in the System Map and select Test Parameter Options. If you do not see this test in the System Map, you might need to expand the collapsed groups, or your system may not include the device appropriate to this test. Refer to the *SunVTS User's Guide* for more details.

FB locking is the only test parameter option for this test. See the section about testing multiple frame buffers in the *SunVTS User's Guide* for details.

- Click enable or disable to configure frame buffer locking, etc.



**FIGURE 46-1** tcctest Test Parameter Options Dialog Box

---

# tcxtest Test Modes

TABLE 46-2 tcxtest Test Modes

Test Mode	Supported?	Description
Connection	No	Not supported
Functional (Offline)	Yes	Runs the appropriate subtests for the hardware platform being tested
Functional (Online)	No	Not supported

---

# tcxtest Command-Line Syntax

```
/opt/SUNWvts/bin/tcxtest standard_arguments -o  
dev=device_name,lock=E(nable)/D(isable), x=bit_mode,T=test,S=[dfb8, dfb24,  
dfb32]
```

TABLE 46-3 tcxtest Command-Line Syntax

Argument	Explanation
dev= <i>device_name</i>	Specifies the filename of the device to be tested, for example, dev=tcx0.
lock= <b>E</b> ( <i>nable</i> )/ <b>D</b> ( <i>isable</i> )	Enables or disables the window system locking option. See the section about testing frame buffers in <i>SunVTS User's Guide</i> for details. Do not use when device is the window system display.

**TABLE 46-3** `tcxtest` Command-Line Syntax

Argument	Explanation
<b>X</b> = <i>bit_mode</i>	Specifies the data transfer size. Supported values are: <ul style="list-style-type: none"><li>• 8byte</li><li>• 16short</li><li>• 32long</li><li>• 64double word</li></ul>
<b>T</b> = <i>test</i>	Specifies a particular test; to specify an individual test, replace <i>test</i> with: <ul style="list-style-type: none"><li>• a=Address</li><li>• c=Constant</li><li>• r=Random</li><li>• b=Blit</li><li>• s=Stipple</li><li>• h=Cursor</li><li>• w=WRC</li></ul> <p>Note: When you select either the <code>Blit</code> or <code>Stipple</code> test, both the <code>User</code> and <code>Raw</code> mode tests are run.</p>
<b>s</b> =[ <i>dfb8</i> , <i>dfb24</i> , <i>dfb32</i> ]	Specifies which frame buffer memory space to use. <ul style="list-style-type: none"><li>• -<i>dfb8</i>—Dumb frame buffer 8-bit space. Memory is accessed only by bytes.</li><li>• -<i>dfb24</i>—Dumb frame buffer 24-bit space. Memory is accessed only by 24-bit reads and writes.</li><li>• -<i>dfb32</i>—Dumb frame buffer 8-bit space. Memory is accessed by 8-bit reads and writes.</li></ul>

**Note** – 64-bit tests are located in the `sparcv9` subdirectory: `/opt/SUNWvts/bin/sparcv9/testname`. If a test is not present in this directory, then it may only be available as a 32-bit test. For more information refer to “32-Bit and 64-Bit Tests” on page 3.



# tcxtest Error Messages

**TABLE 46-4** tcxtest Error Messages

	<b>Error Message</b>	<b>Probable Cause(s)</b>	<b>Recommended Action</b>
6000	FBIOGATTR failed in is_24bit subroutine	Driver not installed.  OS driver problem.  AFX bus error.	Examine system message files (/var/adm/messages) for other information.
6010	Colormap failure, Address: <i>address</i> , red, Expected: <i>value</i> Observed: <i>value</i>	Bad RAMDAC.  Bad a24 board.  AFX bus error.	Replace the frame buffer card.  Examine system message files (/var/adm/messages) for other information.
6011	Colormap failure, Address: <i>address</i> , green, Expected: <i>value</i> Observed: <i>value</i>	Bad RAMDAC.  Bad a24 board.  AFX bus error.	Replace the frame buffer card.  Examine system message files (/var/adm/messages) for other information.
6012	Colormap failure, Address: <i>address</i> , blue, Expected: <i>value</i> Observed: <i>value</i>	Bad RAMDAC.  Bad a24 board.  AFX bus error.	Replace the frame buffer card.  Examine system message files (/var/adm/messages) for other information.
6013	THC Cursor Regression failed Address: <i>address</i> , Expected: <i>value</i> , Observed: <i>value</i>	Bad a24 board.  AFX bus error.	Replace the frame buffer card.  Examine system message files (/var/adm/messages) for other information.
6014	Can't clear frame buffer, dst_start: <i>address</i> , src_start: <i>address</i> , Address: <i>value</i> , Observed: <i>value</i> Expected: <i>value</i>	Bad a24 board.  AFX bus error.	Replace the frame buffer card.  Examine system message files (/var/adm/messages) for other information.

**TABLE 46-4** tcxtest Error Messages (Continued)

	<b>Error Message</b>	<b>Probable Cause(s)</b>	<b>Recommended Action</b>
6015	Frame buffer pattern test failed, dst_space: <i>address</i> , src_space: <i>address</i> , check_x = <i>value</i> , check_y = <i>value</i> , Address: <i>value</i> , Observed: <i>value</i> Expected: <i>value</i>	Bad a24 board. AFX bus error.	Replace frame buffer card Examine system message files (/var/adm/messages) for other information.
6016	Can't clear frame buffer pattern, dst_space: <i>address</i> , src_space: <i>address</i> , check_x: <i>value</i> , check_y: <i>value</i> , Address: <i>value</i> Observed: <i>value</i> Expected: <i>value</i>	Bad a24 board. AFX bus error.	Replace the frame buffer card. Examine system message files (/var/adm/messages) for other information.
6017	Can't clear frame buffer after write, Address: <i>value</i> , Expected: <i>value</i> Observed: <i>value</i>	Bad a24 board. AFX bus error.	Replace the frame buffer card. Examine system message files (/var/adm/messages) for other information.
6018	Raw Blit test failed, Offset: <i>address</i> , Expected: <i>value</i> Observed: <i>value</i>	Bad a24 board. AFX bus error.	Replace the frame buffer card. Examine system message files (/var/adm/messages) for other information.
6019	Blit test failed CHECKING, Offset: <i>address</i> , Expected: <i>value</i> Observed: <i>value</i>	Bad a24 board. AFX bus error.	Replace the frame buffer card. Examine system message files (/var/adm/messages) for other information.
6020	Blit test failed, Offset: <i>value</i> , Expected: <i>value</i> Observed: <i>value</i>	Bad a24 board. AFX bus error.	Replace the frame buffer card. Examine system message files (/var/adm/messages) for other information.
6021	Blit accel test failed. Offset: <i>value</i> , Expected: <i>value</i> Observed: <i>value</i>	Bad a24 board. AFX bus error.	Replace the frame buffer card. Examine system message files (/var/adm/messages) for other information.
6022	Stipple test failed. Offset: <i>address</i> , Expected: <i>value</i> Observed: <i>value</i>	Bad a24 board. AFX bus error.	Replace the frame buffer card. Examine system message files (/var/adm/messages) for other information.

**TABLE 46-4** tcxtest Error Messages (Continued)

	<b>Error Message</b>	<b>Probable Cause(s)</b>	<b>Recommended Action</b>
6025	Raw Stipple test failed. Offset: <i>address</i> , Expected: <i>value</i> Observed: <i>value</i>	Bad a24 board. AFX bus error.	Replace the frame buffer card. Examine system message files (/var/adm/messages) for other information.
6027	Frame buffer pattern test miscompare, y: <i>value</i> x: <i>value</i> Observed: <i>value</i> Expected: <i>value</i> Address: <i>value</i>	Bad RAMDAC. Bad a24 board. AFX bus error.	Replace the frame buffer card. Examine system message files (/var/adm/messages) for other information.
6029	Afx protocol test <i>message</i> Expected: <i>value</i>	AFX bus error. Bad a24 board. Bad CPU board.	Examine system message files (/var/adm/messages) for other information.
6030	Null allocation to membase	AFX bus error. Bad a24 board. Bad CPU board.	Examine system message files (/var/adm/messages) for other information.
6031	Afx_mem test failure, Address: <i>address</i> , Expected: <i>value</i>	AFX bus error. Bad a24 board. Bad CPU board.	Examine system message files (/var/adm/messages) for other information.
6032	Afx_mem Mem test failure, Address+0x4000 Value: <i>value</i> , Exp 0x5555aaaa	AFX bus error. Bad a24 board. Bad CPU board.	Examine system message files (/var/adm/messages) for other information.
6033	Pattern test failed in Byte mode for DFB <i>value</i> . Offset: <i>address</i> , Expected: <i>value</i> Observed: <i>value</i> xor( <i>value</i> )	AFX bus error. Bad a24 board. Bad CPU board.	Examine system message files (/var/adm/messages) for other information.

**TABLE 46-4** tcxtest Error Messages (Continued)

Error Message	Probable Cause(s)	Recommended Action
6034 Pattern test failed in Short mode for DFBvalue. Offset: value, Expected: value Observed: value xor(value)	AFX bus error. Bad a24 board. Bad CPU board.	Examine system message files (/var/adm/messages) for other information.
6035 Pattern test failed in Long mode for DFBvalue. Offset: value, Expected: value Observed: value xor(value)	AFX bus error. Bad a24 board. Bad CPU board.	Examine system message files (/var/adm/messages) for other information.
6036 Pattern test failed in Long mode for DFBvalue. Offset: value, Expected: value Observed: value	AFX bus error. Bad a24 board. Bad CPU board.	Examine system message files (/var/adm/messages) for other information. Examine system message files (/var/adm/messages) for other information.
6039 Random test failed in Byte mode for DFvalue, Offset: value, Expected: value Observed: value xor: value	AFX bus error. Bad a24 board. Bad CPU board.	
6040 Random test failed in Short mode for DFBvalue, Offset: value, Expected: value Observed: value xor: value	AFX bus error. Bad a24 board. Bad CPU board.	Examine system message files (/var/adm/messages) for other information.
6041 Random test failed in Long mode for DFBvalue, Offset: value, Expected: value Observed: value xor: value	AFX bus error. Bad a24 board. Bad CPU board.	Examine system message files (/var/adm/messages) for other information.
6042 Pattern test failed in Dblword mode for DFBvalue, Offset: value, Expected: value Observed: value, xor: value	AFX bus error. Bad a24 board. Bad CPU board.	Examine system message files (/var/adm/messages) for other information.

**TABLE 46-4** tcxtest Error Messages (Continued)

	<b>Error Message</b>	<b>Probable Cause(s)</b>	<b>Recommended Action</b>
6043	Address test failed in Char mode for DFB <i>value</i> . Offset: <i>value</i> , Expected: <i>value</i> Observed: <i>value</i> xor: <i>value</i>	AFX bus error.  Bad a24 board.  Bad CPU board.	Examine system message files (/var/adm/messages) for other information.
6044	Address test failed in Short mode for DFB <i>value</i> , Offset: <i>value</i> , Expected: <i>value</i> Observed: <i>value</i> xor: <i>value</i>	AFX bus error.  Bad a24 board.  Bad CPU board.	Examine system message files (/var/adm/messages) for other information.
6045	Address test failed in Long mode for DFB <i>value</i> , Offset: <i>value</i> , Expected: <i>value</i> Observed: <i>value</i> xor: <i>value</i>	AFX bus error.  Bad a24 board.  Bad CPU board.	Examine system message files (/var/adm/messages) for other information.
6046	Address test failed in Dblword mode for DFB <i>value</i> , Offset: <i>value</i> , Expected: <i>value</i> Observed: <i>value</i> xor: <i>value</i> >	AFX bus error.  Bad a24 board.  Bad CPU board.	Examine system message files (/var/adm/messages) for other information.
6047	Verifying Double:word writes	AFX bus error.  Bad a24 board.  Bad CPU board.	Examine system message files (/var/adm/messages) for other information.
8000	Open failure for device <i>device name</i>	Driver not installed.  OS driver problem.  AFX bus error.	Examine system message files (/var/adm/messages) for other information.
8001	Pattern test failed in Long mode, Offset: <i>value</i> , Expected: <i>value</i> Observed: <i>value</i>	Driver not installed.  AFX bus error.  Bad CPU board.	Examine system message files (/var/adm/messages) for other information.

**TABLE 46-4** tcxtest Error Messages (Continued)

	<b>Error Message</b>	<b>Probable Cause(s)</b>	<b>Recommended Action</b>
8002	can't acquire console semaphore	Not enough memory.	Examine system message files (/var/adm/messages) for other information.
		Not enough swap space.	
8003	XCreateSimpleWindow failed	Not enough memory.	Examine system message files (/var/adm/messages) for other information.
		Not enough swap space.	
8004	Multibuffering extension does not exists	Not enough memory.	Examine system message files (/var/adm/messages) for other information.
		Not enough swap space.	
8005	Couldn't create enough buffers	Not enough memory.	Examine system message files (/var/adm/messages) for other information.
		Not enough swap space.	

## Virtual Memory Test (`vmemtest`)

---

The `vmemtest` checks virtual memory; that is, it tests the combination of physical memory and the swap partitions of the disk(s).

---

**Note** – This test may not stop immediately after being disabled.

---

This test uses the Solaris `valloc` (page aligned) system call to allocate, write, read, and compare virtual memory. These operations normally cause heavy paging activity on the system and simulates a stressful environment for the operating system. This test also detects ECC parity errors, memory read errors, addressing problems, and displays the corresponding virtual memory addresses on failure.

---

### `vmemtest` Swap Space Requirements

Running this test places a significant burden on the operating system, since it uses the majority of swap space available for testing. You should use the `vmemtest` `swap space reserve` option when non-SunVTS test processes are started after SunVTS testing has started. See “Swap Space Requirements” in the *SunVTS User’s Guide* for a complete discussion of swap space requirements.

---

### `vmemtest` Options

To reach the dialog box below, right-click on the test name in the System Map and select Test Parameter Options. If you do not see this test in the System Map, you might need to expand the collapsed groups, or your system may not include the device appropriate to this test. Refer to the *SunVTS User’s Guide* for more details.

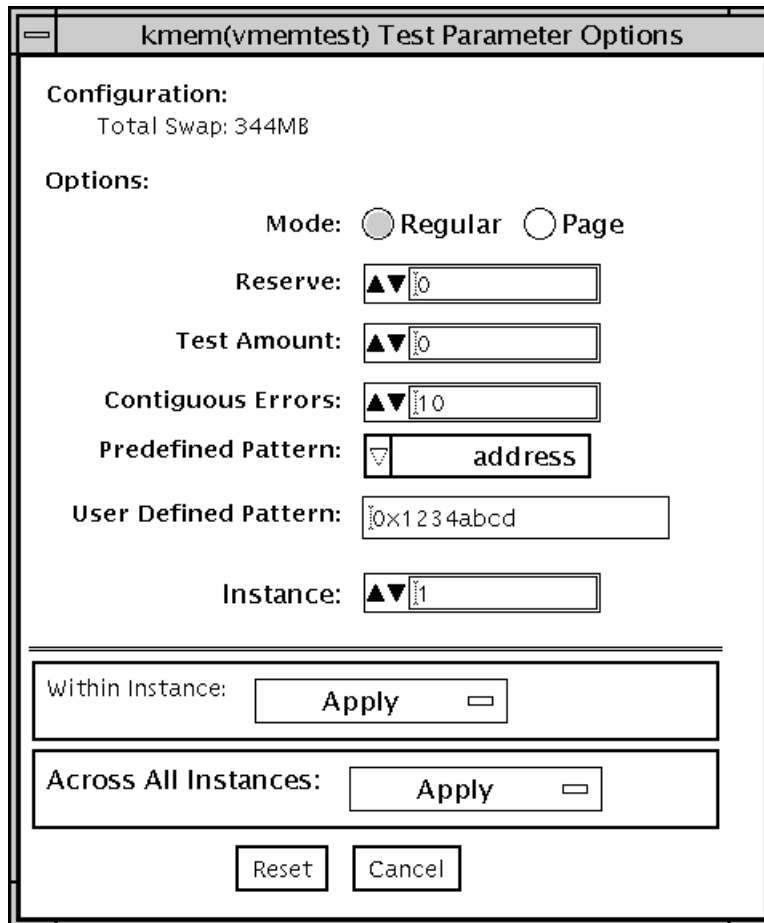


FIGURE 47-1 vmemtest Test Parameter Options Dialog Box



**TABLE 47-1** `vmemtest` Options

<b>vmemtest Options</b>	<b>Description</b>
<code>vmemtest</code> Configuration	The amount of memory listed in the Configuration field is equivalent to the sum of the used and available swap space amounts returned by the <code>swap -s</code> command. It indicates the amount of virtual memory found, rounded up to the nearest Kbyte.
Mode	Two modes are available: <ul style="list-style-type: none"><li>• Regular mode tests the amount of memory and is limited by the amount of physical memory available to the system under test.</li><li>• Page mode tests assign virtual memory one page at a time. Each page is mapped to the temporary file <code>/tmp/vmem.page</code> and is then paged out to storage once test data is written. Next, the temporary page is paged back into memory for a read and compare.</li></ul> <p>When the Stress Test Execution option is selected, the <code>vmemtest</code> allocates the entire assigned system memory (through <code>valloc</code>), writing from beginning to end. The memory is then read back and compared with the original pattern, one long word at a time.</p>
Reserve	The Reserve option specifies the amount of memory to reserve from being tested by <code>vmemtest</code> . The reserved space is used for other processes running concurrently with the or SunVTS tests. The Reserve option can be used to reserve memory in addition to the default. This option applies only to a specific instance. Trying to reserve more memory than what is assigned to be tested by this instance will cause the test to fail.
Test Amount	An amount can be specified to test the virtual memory, instead of the default. Specifying a number greater than the available memory, can cause <code>vmemtest</code> or other running tests to fail.
Contiguous Errors	Specifies the number of memory errors that occur on successive memory locations before testing stops.

**TABLE 47-1** `vmemtest` Options

<b>vmemtest Options</b>	<b>Description</b>
Predefined Pattern	Select one of the following patterns to use for the test: <ul style="list-style-type: none"> <li>• <code>Address</code>—uses the virtual addresses of the tested memory locations.</li> <li>• <code>walk_1</code>—uses a pattern that starts with <code>0x80000000</code> through <code>0x00000001</code></li> <li>• <code>walk_0</code>—uses a pattern that starts with <code>0x7fff7fff</code> through <code>0x7fff7ffe</code></li> <li>• <code>0x00000000</code>—uses all ones and zeros for testing</li> <li>• <code>0x5aa55aa5</code>—uses <code>0x5aa55aa5</code> and <code>0xa55aa55a</code> patterns</li> <li>• <code>0xdb6db6db</code>—uses <code>0xdb6db6db</code> and <code>0x24924924</code> patterns</li> <li>• <code>UserDefined</code>—uses the pattern that is specified in the User Defined Pattern area (see below).</li> </ul>
User Defined Pattern	Only used if the Predefined Pattern is set to <code>UserDefined</code> . The pattern specified should be in the form of a 8-digit, hexadecimal number such as <code>0x2a341234</code> .
Instance	Specifies how many copies of the <code>vmemtest</code> test to run.

## vmemtest Test Modes

**TABLE 47-2** `vmemtest` Test Modes

<b>Test Mode</b>	<b>Supported?</b>	<b>Description</b>
Connection	No	Not supported
Functional (Offline)	Yes	Runs the full set of tests
Functional (Online)	No	Not supported

In Offline Functional mode `vmemtest` writes a pattern to an amount of virtual memory specified by the user. Then the data is read back and compared. If there is a miscompare, the data is read again and compared. Whenever there is a miscompare, the virtual address is reported. When there is a miscompare on recomparison, an attempt is made to convert the virtual address to the physical address if the SunVTS diagnostic driver is installed.

---

# vmemtest Command-Line Syntax

```
/opt/SUNWvts/bin/vmemtest standard_arguments -o mode=type,  
reserve=number,amount=number,bdinfo=number,cerr=number,pp=pattern,  
up=hex_address
```

TABLE 47-3 vmemtest Command-Line Syntax

Argument	Explanation
<b>mode=page/regular</b>	Specifies which mode of the vmemtest to run; Choose: <ul style="list-style-type: none"><li>• <i>page</i> — tells the write/read memory test to proceed one system memory page at a time</li><li>• <i>regular</i> — <code>valloc</code>'s the entire assigned memory which is read and compared, one long word at a time.</li></ul>
<b>reserve=number</b>	Specifies the amount of Mbytes of virtual memory to reserve in addition to the default amount.
<b>amount=number</b>	Specifies the number of Mbytes of memory to be tested instead of the default (maximum) amount.
<b>bdinfo=number</b>	Provides the board number information for all the CPU/memory boards in the system. For example, if board 0 and board 5 have memory, then the <code>bdinfo=33</code> ( $2^{**}5+2^{**}0$ ).
<b>cerr=number</b>	Specifies the maximum number of contiguous errors to be dumped when a memory error occurs.
<b>pp=pattern</b>	Specifies the test pattern to use for testing. Valid pattern entries are: <ul style="list-style-type: none"><li>• <i>Address</i>—uses the virtual addresses of the tested memory locations.</li><li>• <i>walk_1</i>—uses a pattern that starts with 0x80000000 through 0x00000001</li><li>• <i>walk_0</i>—uses a pattern that starts with 0x7fff7fff through 0x7fff7ffe</li><li>• 0x00000000—uses all ones and zeros for testing</li><li>• 0x5aa55aa5—uses 0x5aa55aa5 and 0xa55aa55a patterns</li><li>• 0xdb6db6db—uses 0xdb6db6db and 0x24924924 patterns</li><li>• <i>UserDefined</i>—uses the pattern that is specified in the User Defined Pattern area (see below).</li></ul>
<b>up=hex_address</b>	Only used if the <code>pp</code> argument is set to <i>UserDefined</i> . The pattern specified should be in the form of a 8-digit, hexadecimal number such as 0x2a341234

---

**Note** – 64-bit tests are located in the `sparcv9` subdirectory: `/opt/SUNWvts/bin/sparcv9/testname`. If a test is not present in this directory, then it may only be available as a 32-bit test. For more information refer to “32-Bit and 64-Bit Tests” on page 3.

---

## vmemtest Error Messages

**TABLE 47-4** vmemtest Error Messages

	<b>Error Message</b>	<b>Probable Cause(s)</b>	<b>Recommended Action</b>
6001	<code>setrlimit(RLIMIT_DATA)</code> failed to set to <code>RLIM_INFINITY</code> : <i>error_message</i>	Failed to increase the size of test process's heap to 2GB (fatal error).	
6002	Test terminated after finding maximum number ( <i>number</i> ) of noncontiguous errors	Fatal error.	
6003	<code>msync()</code> failed: <i>error_message</i>	Failed to synchronize memory with physical storage (fatal error).	
6004	Test terminated after finding miscompared data	Test failed (fatal error).	
8001	Test completed. Found <i>data</i> noncontiguous miscompare errors	Suspect swap partition(s) (fatal error). Suspect SCSI controller. Faulty system software.	Consult your authorized Sun service provider.
8002	Increase swap space to allocate at least <i>number</i> MB from the process heap	Failed to increase mem process' heap storage.	
8003	Attempt to reserve more than what's been assigned	Fatal error.	Reduce the “reserve” amount.
8004	<code>valloc(address)</code> failed: <i>error_message</i>	Fatal error.	Increase swap space or reduce the reserve amount.
8005	<code>Open(file_name)</code> failed: <i>error_message</i>	Failed to open the file <i>file_name</i> used in the “page” mode (fatal error).	

**TABLE 47-4** vmemtest Error Messages (Continued)

	<b>Error Message</b>	<b>Probable Cause(s)</b>	<b>Recommended Action</b>
8006	mmap() virtual address <i>address</i> to <i>file_name</i> failed: <i>error_message</i>	Failed to map a region at the virtual address of the file <i>file_name</i> used in the “page” mode (fatal error).	
8007	munmap( <i>address</i> ) failed: <i>error_message</i>	Failed to unmap a region at the virtual address of the file <i>file_name</i> used in the “page” mode (fatal error).	
8008	close() failed on <i>file_name</i> : <i>error_message</i>	Fatal error.	
8009	Not enough space to store miscompare information	Failed to allocate space to store miscompare data (fatal error).	Increase swap space or reduce the load on the system.
8010	swapctl() failed: <i>error_message</i>	Failed to obtain the amount of swap space configured in the system (fatal error)	
8011	calloc failed: <i>error</i>	Fatal error.	
8012	getitimes() error: <i>error</i>	Fatal error.	



## Loopback Connectors

Loopback connectors are designed for the testing of communication ports. They take the form of either a single plug or a port-to-port cable with some communication connections shorted (looped-back).

**Note** – Loopback connectors must be wired properly and connected firmly for the Serial Port tests to work correctly. Miswired, poorly soldered, or missing loopback connectors can cause erroneous diagnostic error messages.

Table A-1 depicts the pin assignments for most loopback plugs and cables that may be used when testing a system.

**TABLE A-1** Loopback Connector Pin Assignments

Signal Description	EIA	CCITT #	RS-449 "A"	RS-449 "B"	DIN 8 8-pin round	DB9 9-pin	DB25 25-pin	Direction	Alpha ID
Chassis/ Frame Ground	AA	101	1	NC*	NC*	NC*	1	none	AA
Transmit Data (TxDa)	BA	103	4	22	3	3	2	output	BA
Receive Data (RxDa)	BB	104	6	24	5	2	3	input	BB
Request To Send (RTSa)	CA	105	7	25	6	7	4	output	CA
Clear To Send (CTSa)	CB	106	9	27	2	8	5	input	CB

**TABLE A-1** Loopback Connector Pin Assignments (Continued)

Signal Description	EIA	CCITT #	RS-449 "A"	RS-449 "B"	DIN 8 8-pin round	DB9 9-pin	DB25 25-pin	Direction	Alpha ID
Data Set Ready (DSRa)	CC	107	11	29	NC*	6	6	input/output	CC
Signal Ground (SG)	AB	102	19	NC*	4	5	7	none	AB
Data Carrier Detect (DCDa)	CF	109	13	31	7	1	8	input	CF
Transmit Clock In (TRxCa)	DB	114	5	23	NC*	NC*	15	input	DB
Receive Clock In (RTxCa)	DD	115	8	26	8	NC*	17	input	DD
Data Terminal Ready (DTRa)	CD	108	12	30	1	4	20	output	CD
External Clock Out (TRxCa)	DA	113	17	35	NC*	NC*	24	output	DA
Secondary Data Carrier Detect (DCDb)	SC F	122	NC*	NC*	NC*	NC*	12	input	SCF
Secondary Clear to Send (CTSb)	SC B	121	NC*	NC*	NC*	NC*	13	input	SCB
Secondary Transmit Data (TxDb)	SB A	118	NC*	NC*	NC*	NC*	14	output	SBA
Secondary Receive Data (RxDb)	SB B	119	NC*	NC*	NC*	NC*	16	input	SBB
Secondary Request to Send (RTSb)	SC A	120	NC*	NC*	NC*	NC*	19	output	SCA



\*NC = No connection

## 25-Pin RS-232 Loopback Plug

The RS-232 and RS-423 single-port loopback plug is a specially wired male DB-25 connector. It is plugged in to a serial port in the back of the system under test. The wiring is shown in FIGURE A-1.

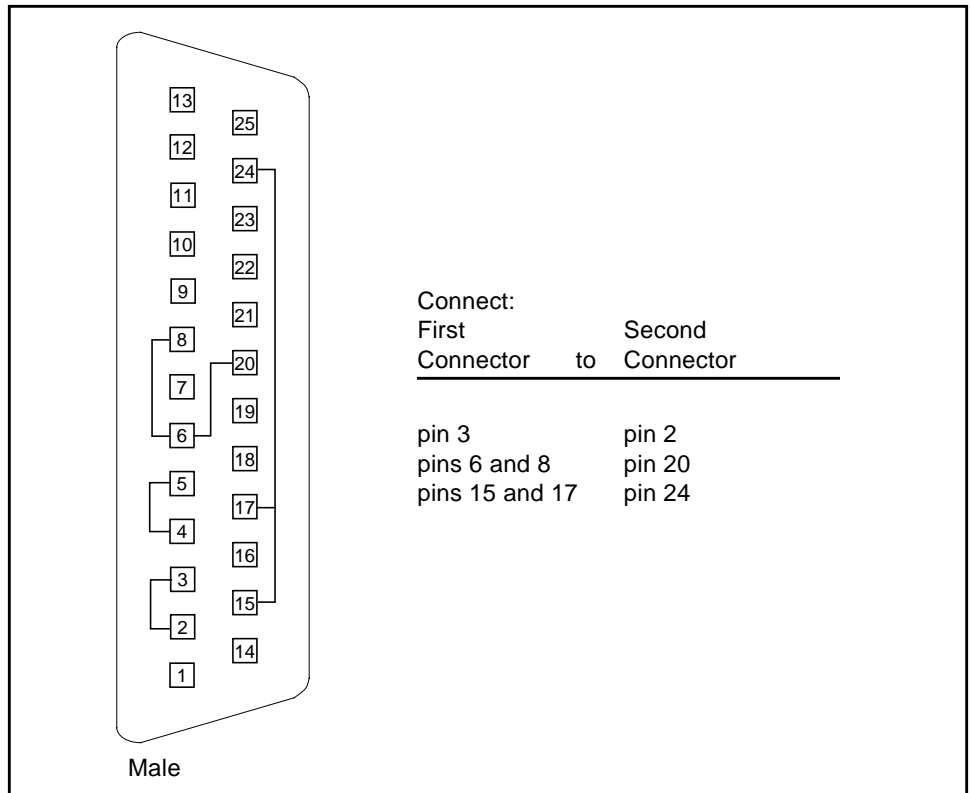
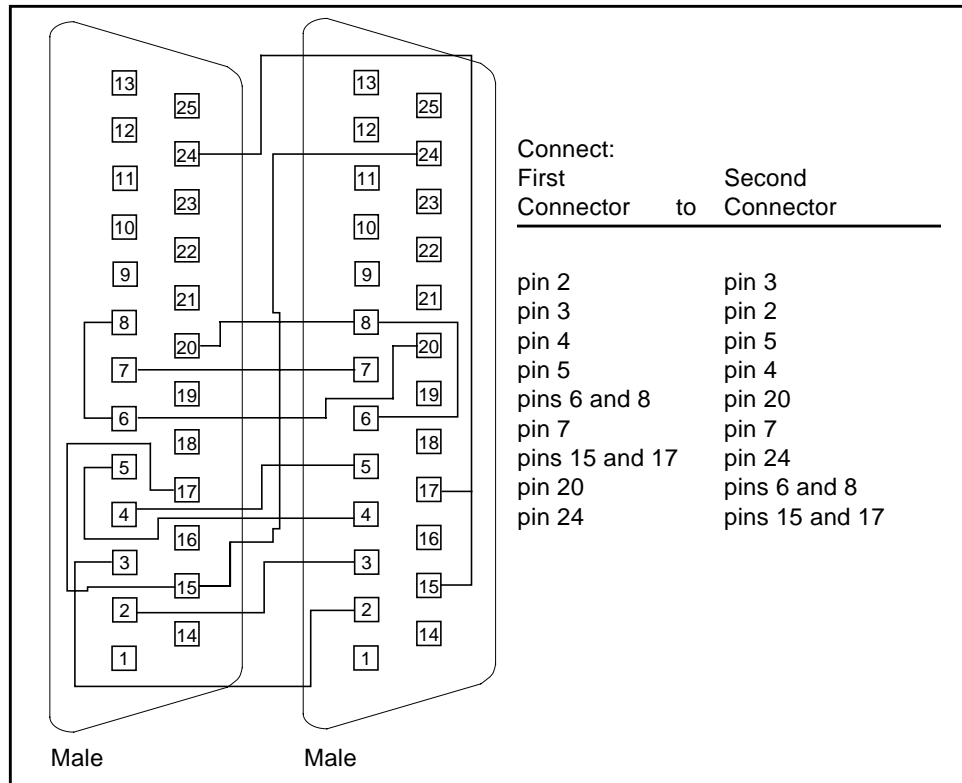


FIGURE A-1 25-pin RS-232 Loopback Plug

# 25-pin RS-232 Port-to-Port Loopback Cable

Use these wiring instructions for 25-pin RS-232 and RS-423 port to 25-pin RS 232 and RS 423 port loopback cables (two DB-25 connections). It is plugged into a pair of serial ports in the back of the system under test. Both connectors are male. The wiring is shown in FIGURE A-2.



**FIGURE A-2** 25-pin RS-232 Port-to-Port Loopback Cable

# 8-Pin to 8-Pin Loopback Cable

Use these wiring directions for 8-pin round DIN RS-232 port to RS-423 to 8-pin round-DIN RS-232 and RS-423 port loopback cable (see FIGURE A-3). Both connectors are male.

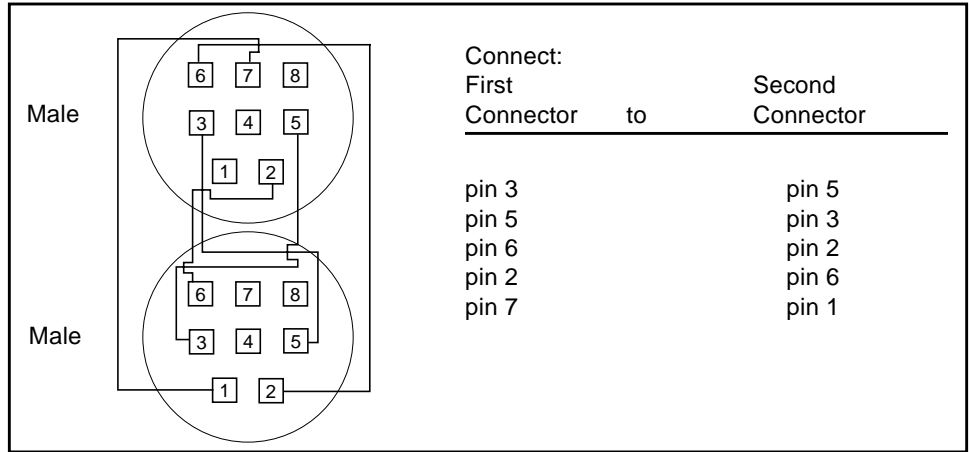
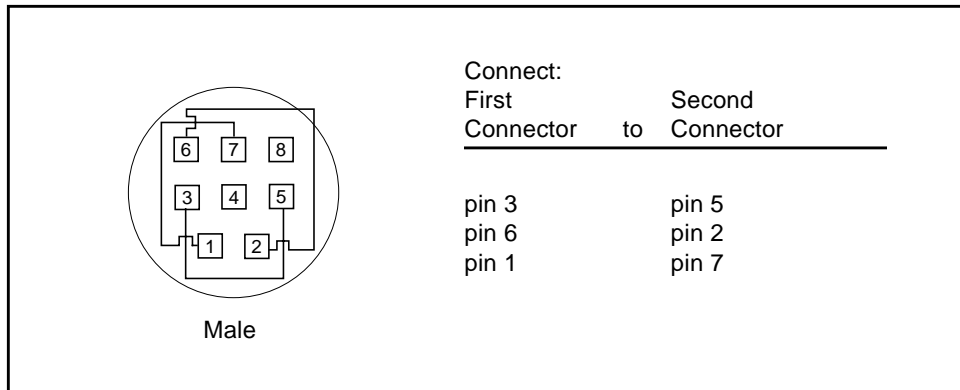


FIGURE A-3 8-Pin to 8-Pin Loopback Cable

Pin 8, Receive clock In (DD), remains unconnected.

# 8-Pin Loopback Plug

Use these wiring directions for male 8-pin round-DIN RS-232 and RS-423 single-port loopback plugs (see FIGURE A-4).

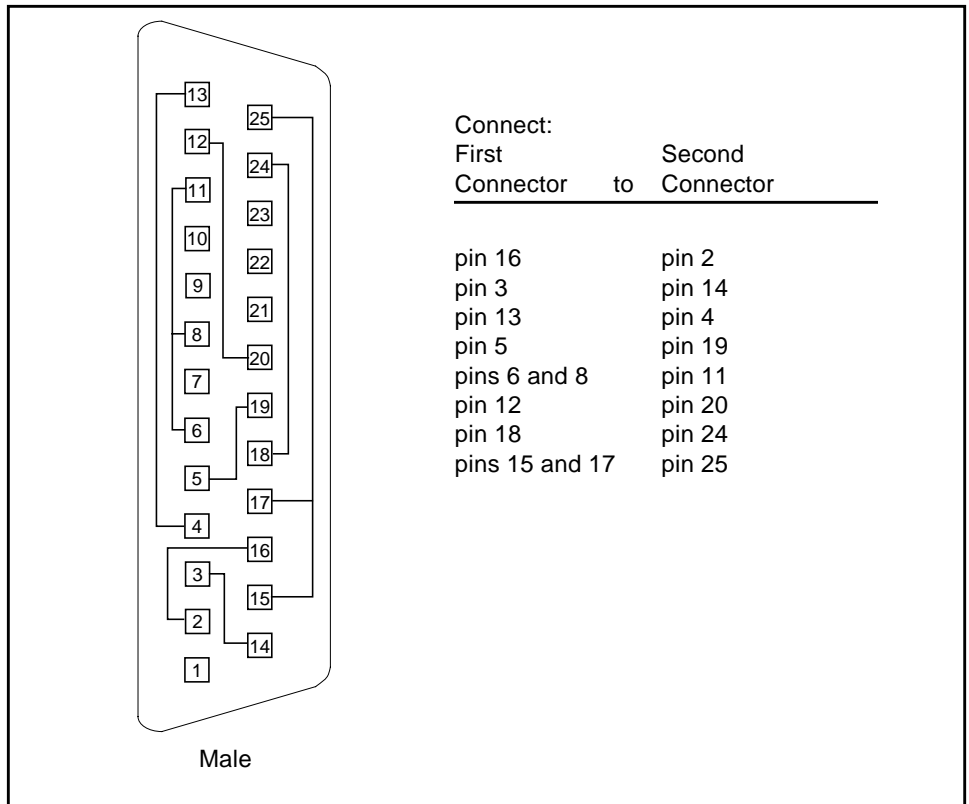


**FIGURE A-4** 8-Pin Loopback Plug

Pin 8, Receive Clock In (DD), remains unconnected.

## 25-pin Port A-to-Port B Loopback Plug

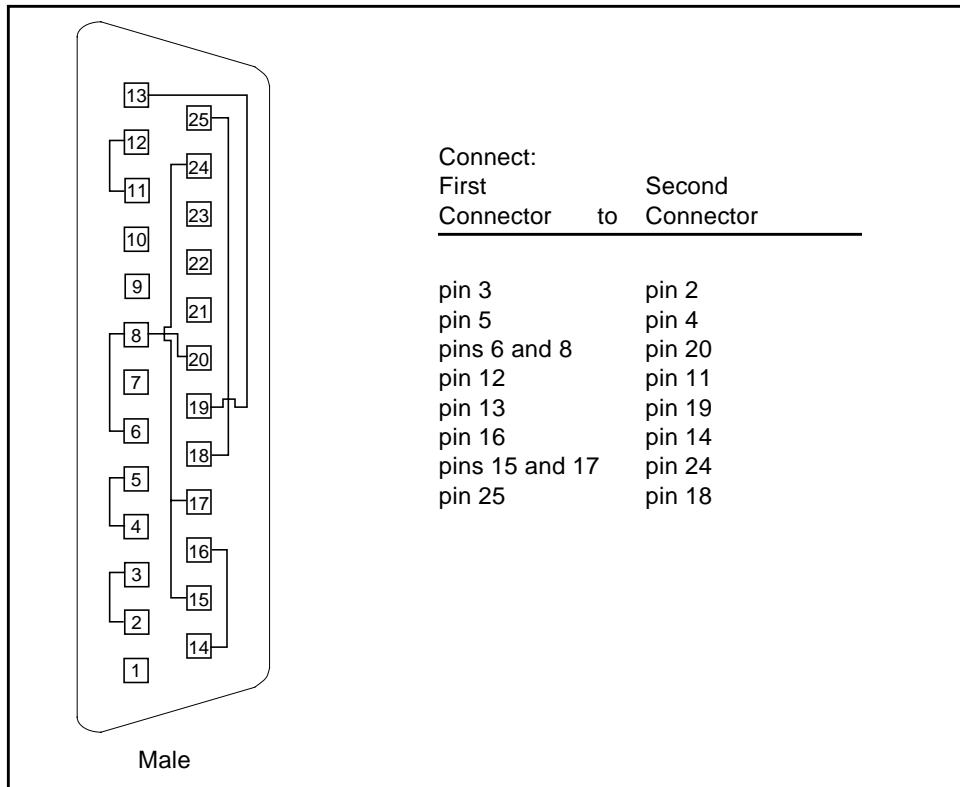
Use these wiring directions for a 25-pin Port A to Port B loopback plug for most systems (see FIGURE A-5).



**FIGURE A-5** Port A-to-Port B Loopback Plug

## 25-pin Port A-to-A Port B-to-B Loopback Plug

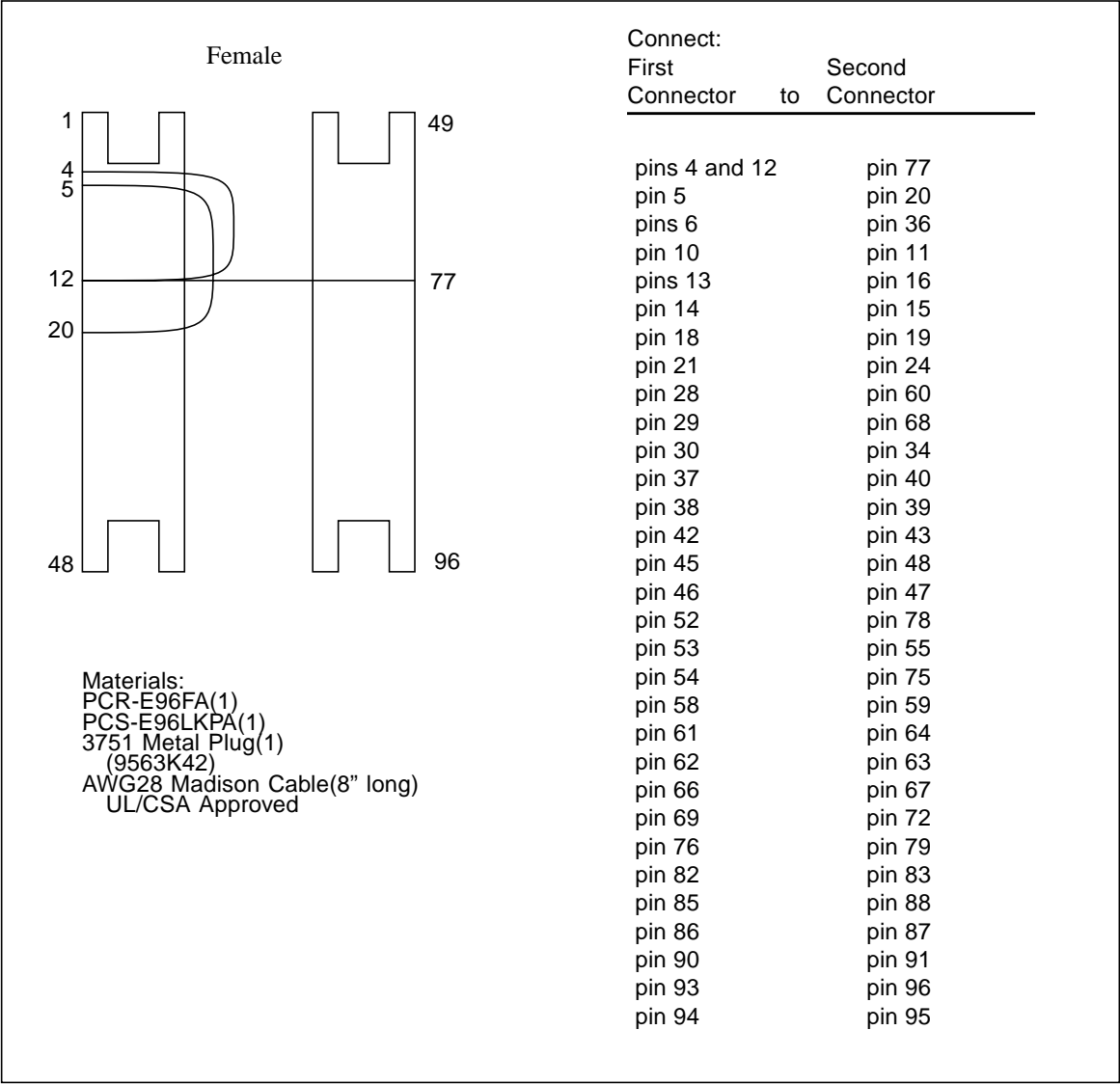
If your system has a single communication port to connect it to peripherals, use these wiring instructions for making a male 25-pin loopback plug for that communication port (see FIGURE A-6):



**FIGURE A-6** Port A-to-A, Port B-to-B Loopback Plug

## 96-Pin Female Loopback Connector

This 96-pin connector (see FIGURE A-7) can be ordered from Sun Microsystems (Part Number 370-1366).



**FIGURE A-7** 96-Pin Female Loopback Connector

# 96-Pin Female Special Loopback Connector

This 96-pin connector (see FIGURE A-8) can be ordered from Sun Microsystems (Part Number 370-1381).

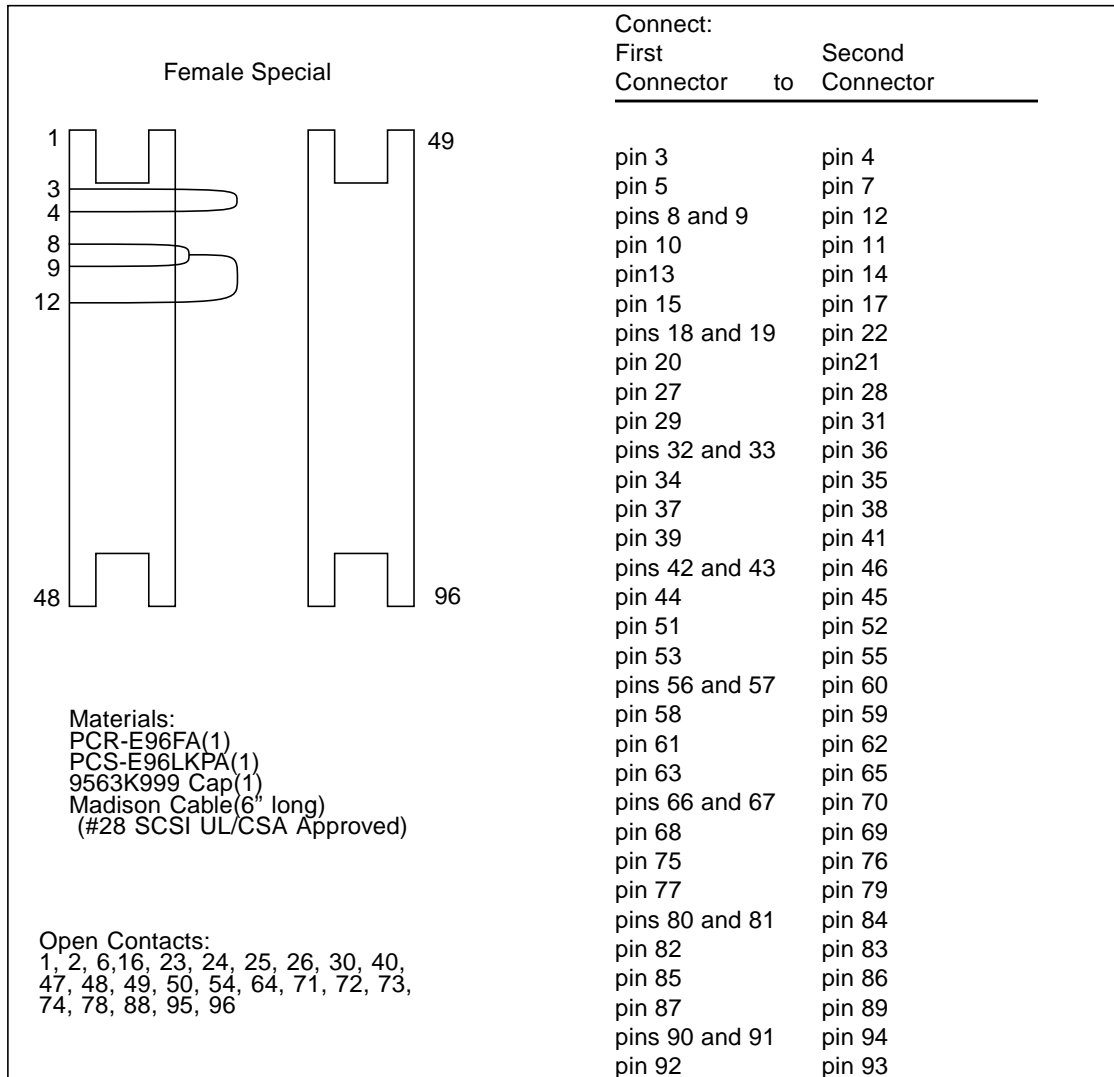
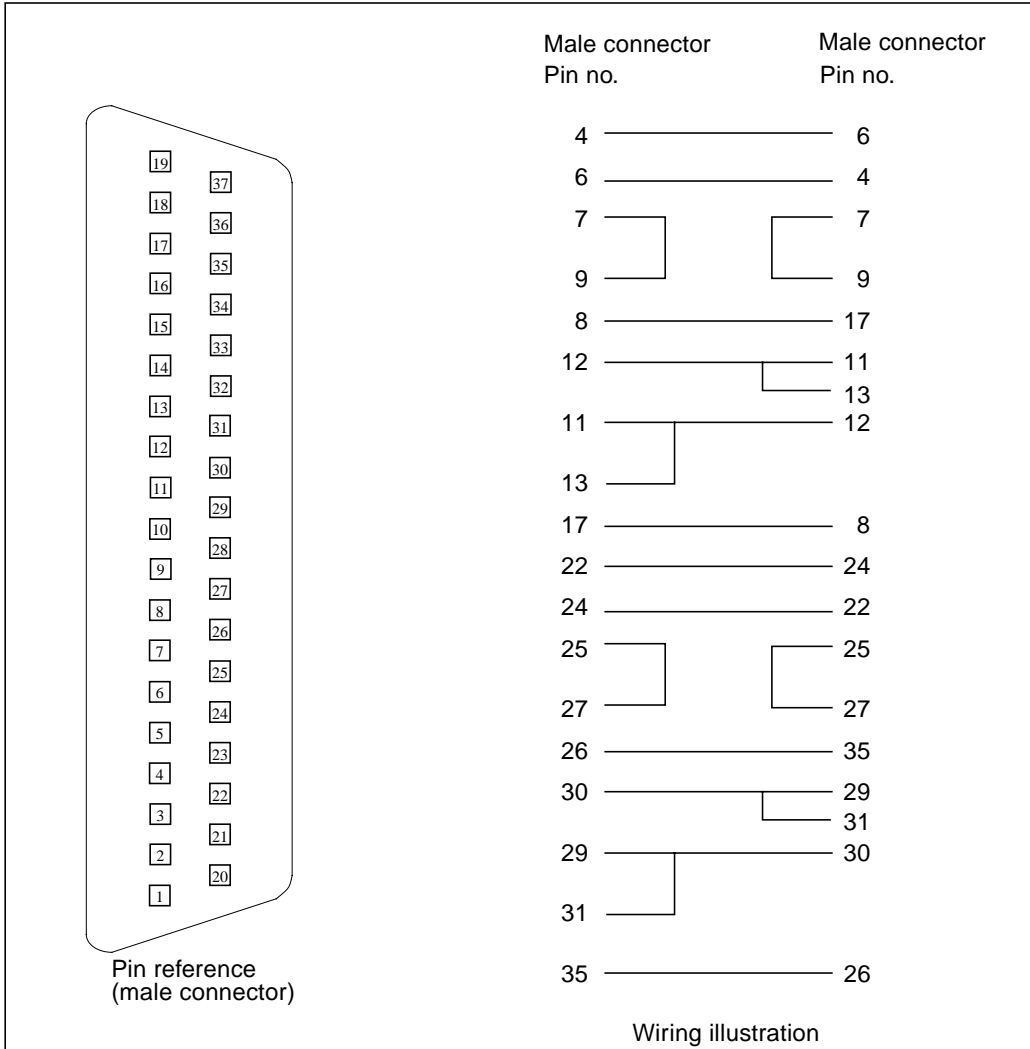


FIGURE A-8 96-Pin Female Special Loopback Connector



# 37-Pin RS-449 Loopback Cable

Use these wiring instructions for a loopback cable for two 37-pin RS-449 synchronous ports (see FIGURE A-9).



**FIGURE A-9** 37-Pin RS-449 Loopback Cable



---

# 9-pin Male Single-Port Loopback Plug

Use these wiring instructions for male 9-pin RS-232 and RS-423 single-port loopback plugs (see FIGURE A-11):

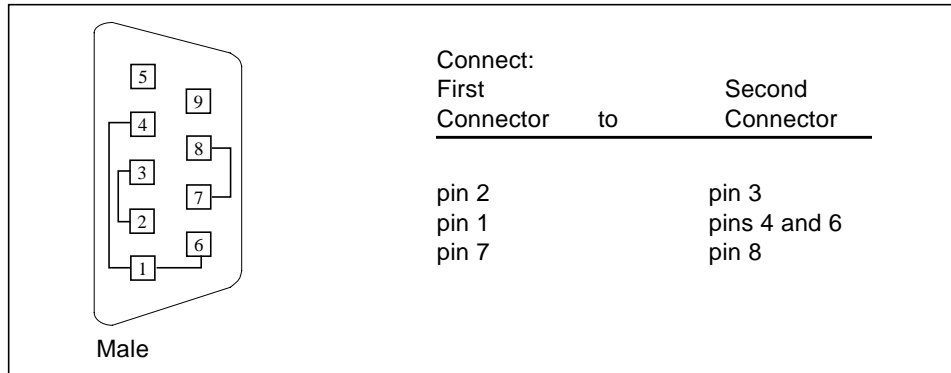


FIGURE A-11 9-Pin Male Single-Port Loopback Plug

---

# 9-pin Female Single-Port Loopback Plug

Use these wiring directions for female 9-pin RS-232 and RS-423 single-port loopback plugs (see FIGURE A-12). Use this loopback plug with the `pcmciaetest`.

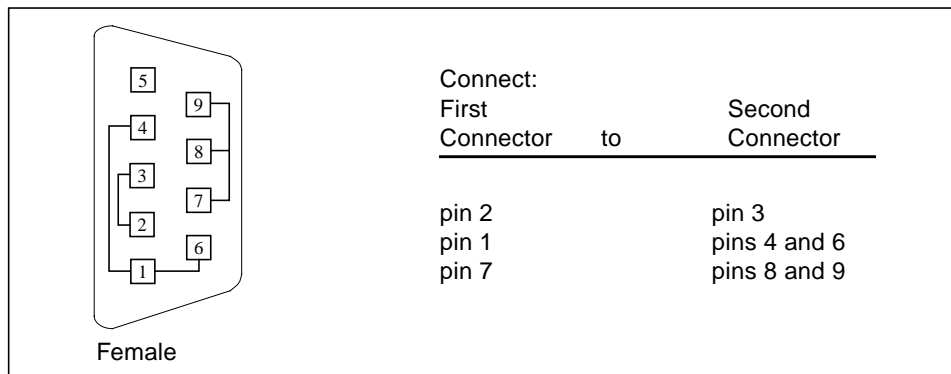
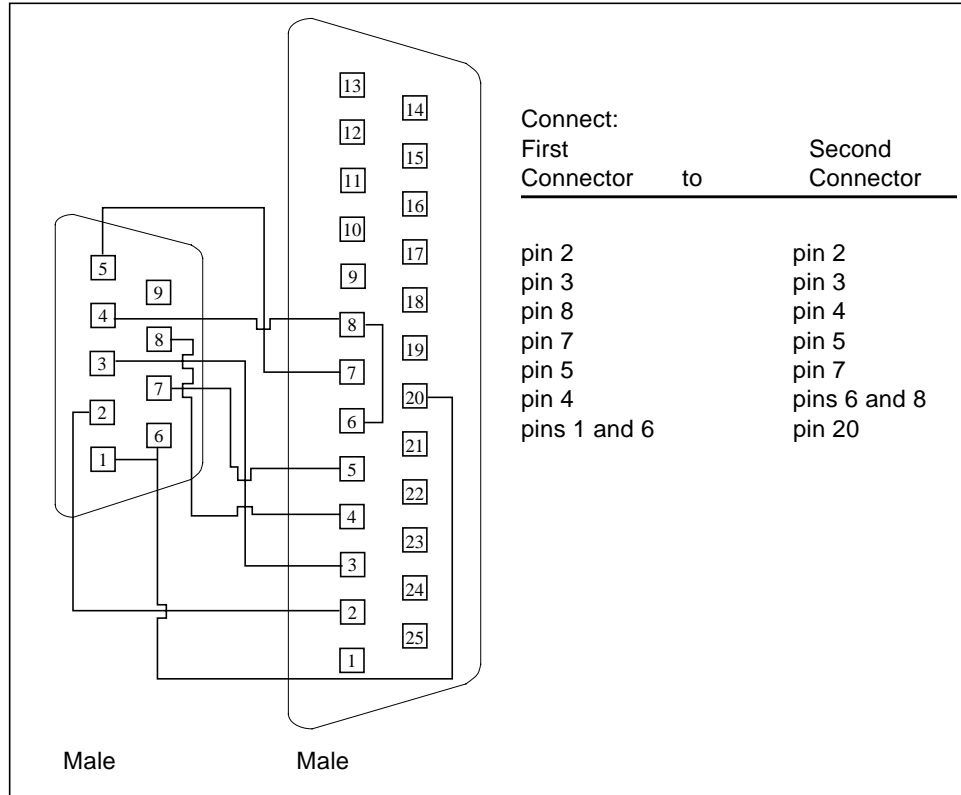


FIGURE A-12 9-Pin Female Single-Port Loopback Plug

# 9-Pin to 25-Pin Port-to-Port Loopback Cable

Use these wiring instructions for a 9-pin RS-232 and RS-423 port to 25-pin RS-232 and RS 423 port loopback cables (see FIGURE A-13). Both connectors are male.



**FIGURE A-13** 9-Pin to 25-Pin Port-to-Port Loopback Cable

# 9-Pin to 9-Pin Port-to-Port Loopback Cable

Use these wiring instructions for 9-pin RS-232 and RS 423 port to 9-pin RS-232 and RS-423 port loopback cables (see FIGURE A-14). Both connectors are male.

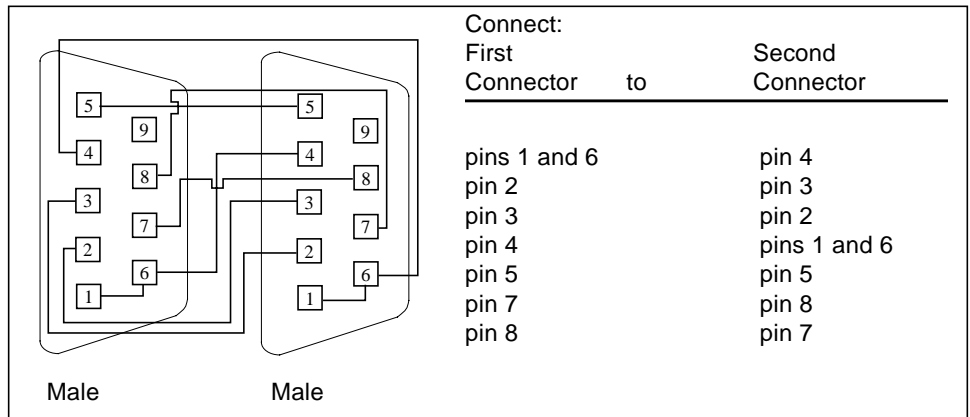


FIGURE A-14 9-Pin to 9-Pin Port-to-Port Loopback Cable

Please note that this cable has no Sun part number assigned to it.

# NT to TE Loopback Cable

Using two standard RJ45 connectors, and connect pin 1 to pin 1, pin 2 to pin 2, and so on, for all pins. This loopback is a “straight-through” connection.



# Index

---

## NUMERICS

- 25-pin port A-to-A port B-to-B loopback plug, 445
- 25-pin port A-to-port B loopback plug, 444
- 25-pin RS-232 loopback plug, 441
- 25-pin RS-232 port-to-port loopback cable, 442
- 64-bit and 32-bit tests, 3
- 8-pin loopback plug, 443
- 8-pin to 8-pin loopback cable, 443

## A

- Acceleration tests of `tcxtest`, 419
- accessing SunVTS, 4
- Advanced Frame Buffer test, `afbtest`, 11
- `afbtest`, Advanced Frame Buffer test, 11
  - command line syntax, 20
  - error messages, 21
  - options, 12
  - test modes, 19
- AFX Protocol tests of `tcxtest`, 419
- Alm test, See `sptest`, 363
- Apply to All button, 6
- Apply to Group button, 6
- arguments
  - standard, 8
- `atmtest`, SunATM adapter test, 31
  - command line syntax, 35
  - error messages, 36
  - options, 32
  - test modes, 35

- `audiotest` subsystem test, `audiotest`, 39
- `audiotest`, audio subsystem test, 39
- `audiotest`, `audiotest` subsystem test
  - command line syntax, 48
  - options, 41

## B

- Bidirectional parallel port test, `bpptest`, 53
- `bpptest`, Bidirectional parallel port test, 53
  - command line syntax, 57
  - options, 54
  - requirements, 53
  - test modes, 56
- buttons
  - Apply to All, 6
  - Apply to Group, 6
  - Cancel, 7
  - Reset, 7

## C

- Cancel button, 7
- CDE, (Common Desktop Environment), xxvii
- CD-ROM test, `cdtest`, 59
- `cdtest`, Compact Disc test, 59
  - and Volume Management, 59
  - command line syntax, 62
  - options, 60
  - test modes, 62
- `cg14` frame buffer card test, `cg14test`, 65

- cg14test, CG14 test, 65
  - command line syntax, 74
  - options, 73
  - test groups, 66
  - test modes, 75
- cg6 test, cg6, 79
- cg6, CG6 frame buffer test, 79
  - and swap requirements, 84
  - command line syntax, 83
  - options, 82
  - subtests, 80
  - test modes, 83
- Colormap and Cursor tests of tcxtest, 419
- Command line execution, 7
- command line options, 8
- Common Desktop Environment (CDE), xxvii
- Compact Disc (CD) test, cdtest, 59
- Connection test mode, 3
- CPU stress test, systest, 405
- CPU tests
  - cputest, 89
  - fptest, 197
  - mpptest, 265
  - multiprocessor test mpptest, 265
  - systest, 405
- cputest, CPU test, 89
  - command line syntax, 93
  - error messages, 94
  - options, 90
  - test modes, 92
- customtest, 380, 385

## D

- disk drive test, 97
- disktest, disk and floppy test, 97
  - command line syntax, 103
  - options, 100
  - subtests, 99
  - test modes, 103
- dpttest, StorEdge adapter card test, 113
- dpttest, StorEdge adapter card test
  - command line syntax, 116
  - error messages, 118
  - options, 114
  - test modes, 116

- Dual Basic Rate ISDN test, isdntest, 245
- DVD drive test, dvdtest, 123
- dvdtest, DVD drive test, 123
  - command line syntax, 125
  - error messages, 126
  - options, 90, 123
  - test modes, 125

## E

- ECC memory errors, locating with pmentest, 303
- ecpp(7) IEEE 1284 parallel printer port device test, 129
- ecpptest, Parallel port printer test, 129
  - command line syntax, 133
  - options, 131
  - requirements, 129
  - subtests, 130
- enatest, Sun Enterprise Array test, 139
  - command line syntax, 146
  - error messages, 148
  - fault isolation, 145
  - options, 143
  - status, 142
  - test modes, 146
- enctest, StorEdge 1000 test, 153
  - command line syntax, 156
  - error messages, 157
  - options, 154
  - test modes, 156
- Enterprise 250
  - rsctest, 311
- Enterprise Network Array test, enatest, 139
- env2tes, I2C bus test, 167
- env2test, I2C bus test
  - error messages, 171
  - options, 167
  - test modes, 170
- Environmental hardware tests
  - envtest, 159
- Environmental Sensing card test, sentest, 345
- envtest, I2C bus test, 159
  - command line syntax, 162
  - options, 160
- error messages, 105
- Ethernet hardware test, nettest, 273



ethernet loopback test, `netlbttest`, 281  
exercising SSA fiber channel with `plntest`, 295

## F

Fast Frame Buffer test, `ffbtest`, 179  
`fbtest` frame buffer test, 175  
    command line syntax, 177  
    error messages, 178  
    options, 176  
    test modes, 177  
`ffbtest`, Fast frame buffer test, 179  
    cautions and notes, 179  
    command line syntax, 187  
    error messages, 188  
    options, 180  
    test modes, 186  
fiber optic test, `nettest`, 273  
floating point unit test, `fptest`, 197  
floppy drive and disk test, `disktest`, 97  
`fptest`, floating Point Unit test, 197  
    command line syntax, 200  
    options, 198  
frame buffer  
    multiple, 10  
    testing, 10  
Frame Buffer Memory tests `tcxtest`, 419  
frame buffer test, generic, `fbtest`, 175  
Frame buffer tests  
    `cg14test`, 65  
    `cg6`, 79  
frame buffer tests  
    `gfxtest`, 229  
Functional test mode, 3

## G

`gfxtest`  
    cautions and notes, 229  
    command line syntax, 232  
    error messages, 233  
    options, 230  
    test modes, 232  
`gfxtest`, PGX32 Frame butter test, 229  
graphical user interface (GUI), xxvii

GUI (graphical user interface), xxvii  
GX & GX+ test, `cg6`, 79

## H

hard drive and floppy test, `disktest`, 97  
HDLC and SDLC test (for the HSI), `sunlink`, 391  
HSI board test, `sunlink`, 391

## I

I2C bus test, `env2test`, 167  
I2C bus test, `envtest`, 159  
`ifptest` , PCI FC\_AL card test, 235  
    command line syntax, 238  
    error messages, 239  
    options, 236  
    test modes, 239  
Installation directory, 1  
Internet control message protocol (ICMP) and  
    `nettest`, 273  
interprocess communication protocols, 2  
IPC (interprocess communication), 2  
IPI tests  
    `disktest`, 97  
ISDN test, `isdntest`, 245  
`isdntest`, ISDN test, 245  
    command line syntax, 250  
    options, 249  
    subtests, 246  
    test mode, 250

## L

loopback connectors  
    25-pin port A-to-A port B-to-B plug, 445  
    25-pin RS-232 plug, 441  
    25-pin RS-232 port-to-port cable, 442  
    8-pin plug, 443  
    8-pin to 8-pin cable, 443  
    port A-to-port B plug, 444  
    See Appendix A

## M

- M64 video board test, `m64test`, 253
- `m64test`, M64 Video test, 253
  - cautions and notes, 253
  - command line syntax, 257
  - error messages, 258
  - options, 254
  - subtests, 253
  - test modes, 256
- Major test categories, 1
- Media tests
  - `cdtest`, 59
  - `disktest`, 97
  - `tapetest`, 411
- Memory errors detected by `vmemtest`, 431
- Memory tests
  - `pmemtest`, 303
  - `vmemtest`, 431
- modem card (PCMCIA) test, `pcsertest`, 289
- mouse
  - movement, can cause test failure, 10
- `mpctest` multiprocessor test, 265
  - command line syntax, 269
  - options, 266
  - test modes, 269
- multiprocessor test, `mpctest`, 265

## N

- `netlbttest`, ethernet loopback test, 281
  - command line syntax, 285
  - error messages, 286
  - options, 282
  - test modes, 284
  - test requirements, 282
- `nettest` network hardware test, 273
  - command line syntax, 277
  - error messages, 278
  - options, 274
  - test modes, 276
- Network tests
  - `isdntest`, 245
  - `netlbttest`, 281
  - `nettest`, 273
  - `scitest`, 329

## O

- offline state, 4
- online state, 4
- OPEN LOOK, xxvii

## P

- parallel port test, `bpptest`, 53
- parallel printer port test `ecpptest`, 129
- parallel/serial port test, `spiftest`, 355
- parity errors, locating with `pmemtest`, 303
- PCI FC\_AL card test, `ifptest`, 235
- PCI test, `saiptest`, 321
- PCI tests
  - `atmtest`, 31
- PCMCIA modem card test, `pcsertest`, 289
- `pcmciatest` PCMCIA modem card test, 289
  - command line syntax, 291
  - loopback requirement, 289
  - options, 290
  - test mode, 291
- Peripheral tests
  - `cdtest`, 59
  - `disktest`, 97
  - `tapetest`, 411
- physical memory test, `pmemtest`, 303
- `plntest` SPARCstorage Array controller test, 295
  - command line syntax, 298
  - important note, 299
  - options, 296
  - test modes, 298
- `pmemtest`, memory test, 303
  - command line syntax, 307
  - error messages, 309
  - options, 303
- Printer tests
  - `bpptest`, 53
  - `ecpptest`, 129
- protocols, interprocess communication, 2

## Q

- quad ethernet test, `nettest`, 273

## R

- register testing with `fpptest`, 197
- remote
  - testing, 10
- Remote System Control (RSC) test, `rsctest`, 311
- Requirements, 2
- Reset button, 7
- `rsctest`
  - options, 312
  - test modes, 314
- `rsctest`, Enterprise 250 test, 311
  - Command line syntax, 314
  - Error messages, 315

## S

- `saiptest`, PCI test, 321
  - available ports, 324
  - command line syntax, 325
  - error messages, 327
  - hardware requirements, 321
  - options, 322
  - test modes, 325
- SBus DMA circuitry, test with `bpptest`, 53
- SBus printer card test, `bpptest`, 53
- SBus tests
  - `atmtest`, 31
  - `bpptest`, 53
- `scitest`, Cluster networking hardware test, 329
  - command line syntax, 331
  - error messages, 333
  - options, 330
  - test modes, 331
- SCSI Environmental Sensing card test,
  - `sentest`, 345
- SCSI tests
  - `cdtest`, 59
  - `disktest`, 97
  - `dvdtest`, 123
- `sentest`, SEN card test, 345
  - command line syntax, 347
  - options, 346
  - test modes, 347
  - verification, 345
- Serial Asynchronous Interface card test,
  - `saiptest`, 321
  - serial port test, `sptest`, 363
- serial/parallel port test, `spiftest`, 355
- SOC+ host adapter card test, `socaltest`, 349
- `socaltest`, Soc+ card test, 349
  - command line syntax, 352
  - options, 350
  - test modes, 352
- SPARCstation 5 S24 frame buffer test,
  - `tcxtest`, 419
- SPARCstation tests
  - `audiotest`, 39
- SPARCstation VSIMM test, `cg14test`, 65
- SPARCstation4 TCX frame buffer test,
  - `tcxtest`, 419
- SPARCstorage Array controller test, `plntest`, 295
- SPARCstorage RSM environmental sensing card test, `sentest`, 345
- `spiftest`, serial/parallel port test, 355
  - available ports, 357
  - command line syntax, 359
  - error message, 360
  - hardware requirements, 355
  - options, 356
  - test modes, 359
- `sptest`, serial port test, 363
  - command line syntax, 371
  - options, 365
  - requirements, 365
  - test modes, 370
  - tests, 364
- SSA
  - exercising fiber channel with `plntest`, 295
  - probing for controller devices, 299
- SSA controller test, `plntest`, 295
- SSA fault isolation with `plntest`, 295
- standard
  - command line arguments, 8
  - usage, 8
- `standard_arguments`, 8
- Storage subsystem tests
  - `enatest`, 139
- StorEdge 1000 enclosure test, `enctest`, 153
- StorEdge adapter card test, `dpttest`, 113
- Sun Enterprise 450 bus test, `envttest`, 159
- Sun Enterprise Cluster networking hardware test,
  - `scitest`, 329

Sun Enterprise Network Array test, 139

SunATM adapter test, `atmtest`, 31

`sunbuttons`, SunButton controls test  
command line syntax, 382  
interactive test, 381  
test modes, 383

SunDial controls test, `sundials`, 385

`sundials`, SunDial controls test  
command line syntax, 388  
running the, 385  
test modes, 388

`sunlink`, HSI/S board test, 391  
command line syntax, 393  
loopback connectors, 394  
options, 392  
requirements, 391  
test modes, 394

`sunpcitest`, Sun PCi test  
command line syntax, 399  
options, 398

SunVTS

accessing, 4  
interfaces  
CDE, 4  
OPEN LOOK, 4  
TTY, 4

system states, 4

`systest`, CPU stress test, 405  
command line syntax, 407  
error messages, 407  
options, 405  
test modes, 407

## T

`tapetest`, tape drive test, 411  
command line syntax, 415  
error messages, 417  
options, 411  
test modes, 415

`tcxtest`, Fast SBus Video card test, 419

`tcxtest`, S24 Frame Butter SBus card test, 419  
command line syntax, 423  
error messages, 425  
options, 421  
subtests, 420

test groups, 419

test modes, 423

test modes, 3  
Connection, 3  
Functional, 3

test options, 8

Test Parameter menu, 5

testing  
remotely, 10

Tests

32-bit and 64-bit tests, 3

Tests, overall description of, 2

Test-specific arguments, 9

Test-specific menu, 5

Test-specific options, 6

TGX test, `cg6`, 79

token ring test, `nettest`, 273

## V

Video test

`cg6`, 79

Video tests

`cg14test`, 65  
`fbtest`, 175  
`ffbttest`, 179  
`gfxtest`, 229  
`m64test`, 253

virtual memory test, `vmemtest`, 431

`vmemtest`, virtual memory test, 431

command line syntax, 435

error messages, 436

options, 432

swap space, and, 431

test modes, 434

Volume Management and `disktest`, 98

VSIMM test, `cg14test`, 65

## W

window

locking default, 10

locking disabled, 10

locking enabled, 10

## **Z**

zs test, sptest, 363

