

SPARCstorage™ FlexiPack Removable Storage Tray Installation Guide



THE NETWORK IS THE COMPUTER™

Sun Microsystems Computer Company

A Sun Microsystems, Inc. Business
2550 Garcia Avenue
Mountain View, CA 94043 USA
415 960-1300 fax 415 969-9131

Part No.: 805-1913-10
Revision A, August 1997

Copyright 1997 Sun Microsystems, Inc. 2550 Garcia Avenue, Mountain View, California 94043-1100 U.S.A. All rights reserved.

This product or document is protected by copyright and distributed under licenses restricting its use, copying, distribution, and decompilation. No part of this product or document may be reproduced in any form by any means without prior written authorization of Sun and its licensors, if any. Third-party software, including font technology, is copyrighted and licensed from Sun suppliers.

Parts of the product may be derived from Berkeley BSD systems, licensed from the University of California. UNIX is a registered trademark in the U.S. and other countries, exclusively licensed through X/Open Company, Ltd.

Sun, Sun Microsystems, the Sun logo, AnswerBook, SunDocs, Solaris, Ultra, and Enterprise are trademarks, registered trademarks, or service marks of Sun Microsystems, Inc. in the U.S. and other countries. All SPARC trademarks are used under license and are trademarks or registered trademarks of SPARC International, Inc. in the U.S. and other countries. Products bearing SPARC trademarks are based upon an architecture developed by Sun Microsystems, Inc. DLT is claimed as a trademark of Quantum Corporation in the United States and other countries.

The OPEN LOOK and Sun™ Graphical User Interface was developed by Sun Microsystems, Inc. for its users and licensees. Sun acknowledges the pioneering efforts of Xerox in researching and developing the concept of visual or graphical user interfaces for the computer industry. Sun holds a non-exclusive license from Xerox to the Xerox Graphical User Interface, which license also covers Sun's licensees who implement OPEN LOOK GUIs and otherwise comply with Sun's written license agreements.

RESTRICTED RIGHTS: Use, duplication, or disclosure by the U.S. Government is subject to restrictions of FAR 52.227-14(g)(2)(6/87) and FAR 52.227-19(6/87), or DFAR 252.227-7015(b)(6/95) and DFAR 227.7202-3(a).

DOCUMENTATION IS PROVIDED "AS IS" AND ALL EXPRESS OR IMPLIED CONDITIONS, REPRESENTATIONS AND WARRANTIES, INCLUDING ANY IMPLIED WARRANTY OF MERCHANTABILITY, FITNESS FOR A PARTICULAR PURPOSE OR NON-INFRINGEMENT, ARE DISCLAIMED, EXCEPT TO THE EXTENT THAT SUCH DISCLAIMERS ARE HELD TO BE LEGALLY INVALID.

Copyright 1997 Sun Microsystems, Inc., 2550 Garcia Avenue, Mountain View, Californie 94043-1100 Etats-Unis. Tous droits réservés.

Ce produit ou document est protégé par un copyright et distribué avec des licences qui en restreignent l'utilisation, la copie, la distribution, et la décompilation. Aucune partie de ce produit ou document ne peut être reproduite sous aucune forme, par quelque moyen que ce soit, sans l'autorisation préalable et écrite de Sun et de ses bailleurs de licence, s'il y en a. Le logiciel détenu par des tiers, et qui comprend la technologie relative aux polices de caractères, est protégé par un copyright et licencié par des fournisseurs de Sun.

Des parties de ce produit pourront être dérivées des systèmes Berkeley BSD licenciés par l'Université de Californie. UNIX est une marque déposée aux Etats-Unis et dans d'autres pays et licenciée exclusivement par X/Open Company, Ltd.

Sun, Sun Microsystems, le logo Sun, AnswerBook, SunDocs, Solaris, Ultra, et Enterprise sont des marques de fabrique ou des marques déposées, ou marques de service, de Sun Microsystems, Inc. aux Etats-Unis et dans d'autres pays. Toutes les marques SPARC sont utilisées sous licence et sont des marques de fabrique ou des marques déposées de SPARC International, Inc. aux Etats-Unis et dans d'autres pays. Les produits portant les marques SPARC sont basés sur une architecture développée par Sun Microsystems, Inc. Quantum Corporation réclame DLT comme sa marque de fabrique aux Etats-Unis et dans d'autres pays.

L'interface d'utilisation graphique OPEN LOOK et Sun™ a été développée par Sun Microsystems, Inc. pour ses utilisateurs et licenciés. Sun reconnaît les efforts de pionniers de Xerox pour la recherche et le développement du concept des interfaces d'utilisation visuelle ou graphique pour l'industrie de l'informatique. Sun détient une licence non exclusive de Xerox sur l'interface d'utilisation graphique Xerox, cette licence couvrant également les licenciés de Sun qui mettent en place l'interface d'utilisation graphique OPEN LOOK et qui en outre se conforment aux licences écrites de Sun.

CETTE PUBLICATION EST FOURNIE "EN L'ETAT" ET AUCUNE GARANTIE, EXPRESSE OU IMPLICITE, N'EST ACCORDEE, Y COMPRIS DES GARANTIES CONCERNANT LA VALEUR MARCHANDE, L'APTITUDE DE LA PUBLICATION A REpondre A UNE UTILISATION PARTICULIERE, OU LE FAIT QU'ELLE NE SOIT PAS CONTREFAISANTE DE PRODUIT DE TIERS. CE DENI DE GARANTIE NE S'APPLIQUERAIT PAS, DANS LA MESURE OU IL SERAIT TENU JURIDIQUEMENT NUL ET NON AVENU.



Please
Recycle



Adobe PostScript

Contents

- 1. Product Description 1**
 - Tray X-Options 3
 - Tray for System Rack 3
 - Tray for Expansion Rack 4
 - FlexiPack Differences 4
 - Accompanying Documents 5
 - Supported FlexiPack Devices 5
 - Separate Tray 5
 - What's Next 6

- 2. Checking Parts 7**
 - Parts Tables 7
 - Parts Identification 8

- 3. Installing the Tray in the Rack 11**
 - Tool and Parts Needed 11
 - ▼ Installing the Tray 12

- 4. Installing the FlexiPack(s) 15**
 - ▼ Installing the FlexiPack(s) 15

5. Installing the Bezel/Door Panel Assembly in the System Rack	17
Filler Panel	17
Tool Needed	18
Parts Needed	18
▼ Installation Procedure	18
Bezel/Door Panel Assembly	19
Part Needed	19
▼ Installation Procedure	19

Product Description

The SPARCstorage™ FlexiPack removable storage tray holds two FlexiPack data storage devices. The tray(s) can be installed in various system and expansion racks (FIGURE 1-1, FIGURE 1-2, and FIGURE 1-3).

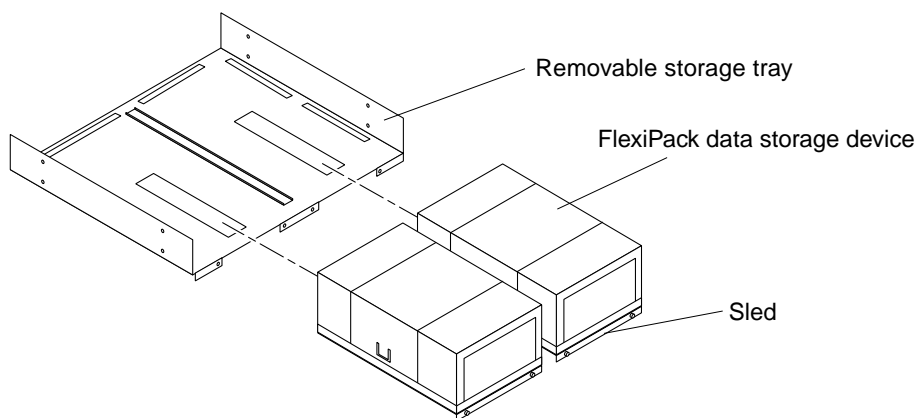


FIGURE 1-1 Removable Storage Tray, FlexiPacks, and Sleds

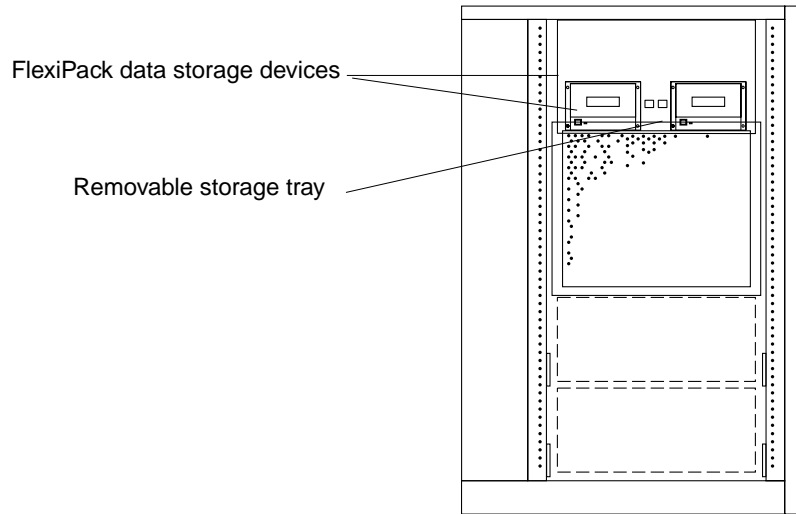


FIGURE 1-2 System Rack Installation (Front View)

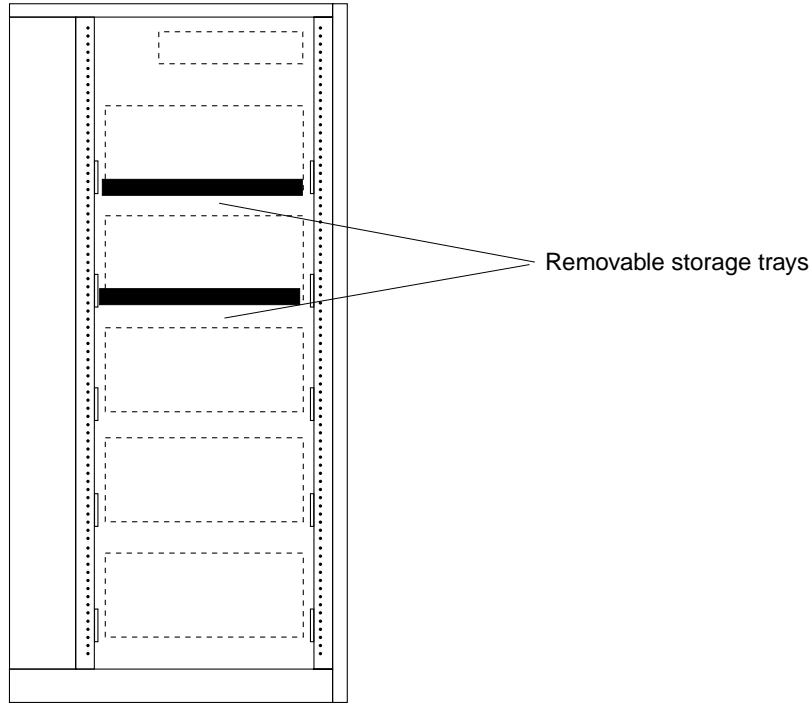


FIGURE 1-3 Expansion Rack Installation (Front View)

Tray X-Options

Tray for System Rack

The tray x-option for system rack installation includes:

- Sheet metal mounting parts and associated hardware
- Two-meter data cable
- Front bezel/door panel assembly
- Document set (TABLE 1-1)

Tray for Expansion Rack

Each tray x-option for expansion rack installation includes:

- Sheet metal mounting parts and associated hardware
- 4-meter data cable (3-meter data cable pending)
- Document set (TABLE 1-1)

FlexiPack Differences

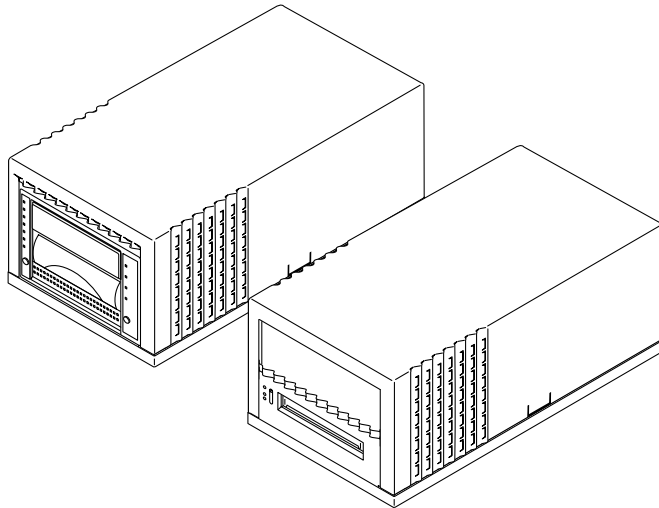


FIGURE 1-4 FlexiPack Data Storage Devices

FlexiPack data storage device(s), supplied with either of the above removable storage tray x-options, are installed onto each sled at the factory. (FIGURE 1-4)

Accompanying Documents

The tray x-options include the following documents:

TABLE 1-1 Tray X-Option Document Set

Part Number	Document Title
805-1913	<i>SPARCstorage FlexiPack Removable Storage Tray Installation Guide</i> (this document)
802-7738	<i>SPARCstorage FlexiPack User's Guide</i>
802-6945	<i>Rackmount Placement Matrix</i>

Supported FlexiPack Devices

- SPARCstorage DLT™4000 tape drive
- SPARCstorage DLT7000 tape drive
- 72-144 Gbyte 4mm DDS-3 tape autoloader
- 20-40 Gbyte 8mm tape drive units (dual-drive configurations)

Separate Tray

The SPARCstorage FlexiPack removable storage tray can be ordered separately. It includes sheet metal parts and related documents only, and does not include FlexiPack data storage devices. The tray is a separate customer installable unit, and comes with two installation documents (TABLE 1-2).

TABLE 1-2 Separate Tray and Bezel/Door Panel Assembly Document Set

Part Number	Document Title
805-1913	<i>SPARCstorage FlexiPack Removable Storage Tray Installation Guide</i> (this document)
802-6945	<i>Rackmount Placement Matrix</i>

What's Next

If you are installing a tray x-option or separate tray in a *system rack* or *expansion rack*, read the following chapters in sequence:

- Chapter 2, "Checking Parts"
- Chapter 3, "Installing the Tray in the Rack"
- Chapter 4, "Installing the FlexiPack(s)"

If you are installing a tray x-option or separate tray in a *system rack*, also read:

- Chapter 5, "Installing the Bezel/Door Panel Assembly in the System Rack"

Checking Parts

Parts Tables

After you have unpacked your tray x-option parts, check the following parts tables to verify that you have all of the parts.

Parts identification figures follow the tables.

TABLE 2-1 Removable Storage Tray Mounting Components

Quantity	Component
1	Removable storage tray
2	Metal mounting brackets
16	#10-32 screws

TABLE 2-2 System Rack X-Option Bezel/Separate Bezel Parts*

Quantity	Part	Description
1	Molded front bezel/door panel assembly	For use with one SPARCstorage FlexiPack removable storage tray installed in a system rack.
1	Filler panel for molded front bezel/door panel assembly	For use with the molded front bezel/door panel assembly when only one FlexiPack data storage device is installed on the removable storage tray.
4	#6-3/8-in. self-tapping screws	Used to mount the filler panel to the molded front bezel/door panel assembly.

*The items listed in this table are not used when the tray is installed in an expansion rack.

Parts Identification

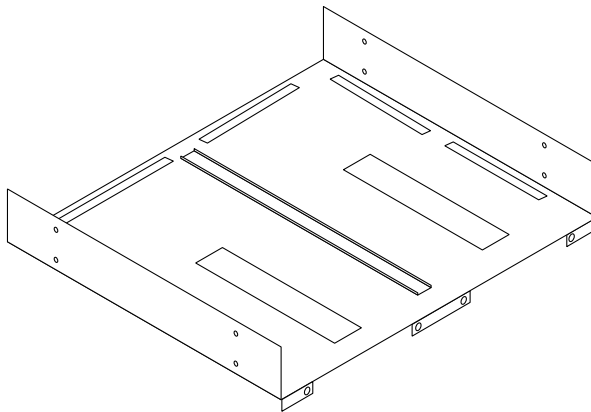


FIGURE 2-1 Removable Storage Tray (Front View)

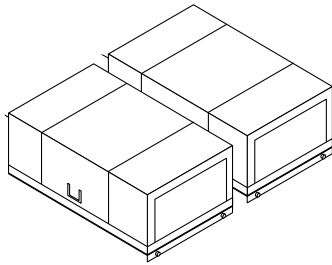


FIGURE 2-2 FlexiPack-Sled Assemblies With Spring-Mounted Front Thumb Screws

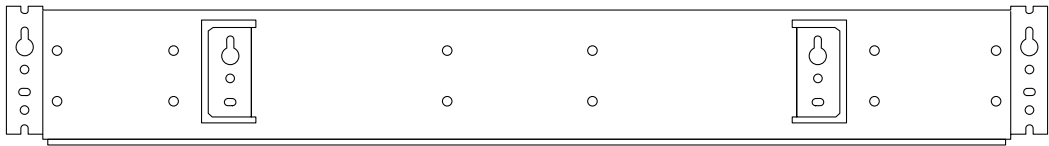


FIGURE 2-3 Metal Mounting Brackets

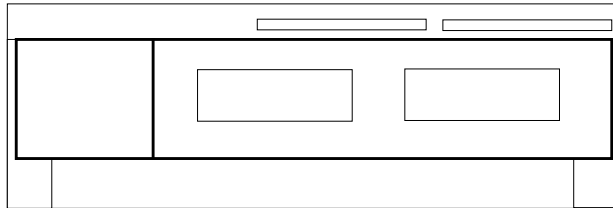


FIGURE 2-4 Molded Front Bezel/Door Panel Assembly

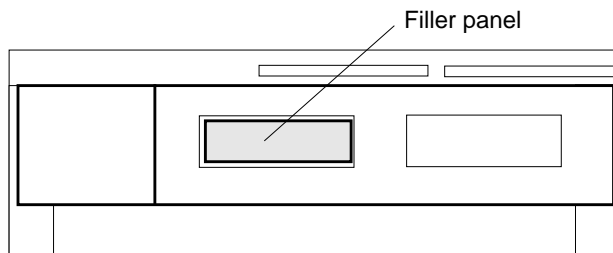


FIGURE 2-5 Filler Panel for Molded Front Bezel/Door Panel Assembly

Installing the Tray in the Rack

This chapter contains two separate installation procedures for installing the removable storage tray in a system rack and an expansion rack.

- One removable storage tray can be installed in a system rack.
- Two removable storage trays can be installed in an expansion rack.

Tool and Parts Needed

- #2 Phillips screwdriver
- Two mounting brackets
- One removable storage tray
- Sixteen #10-32 Phillips sheet metal screws

Note – If two removable storage trays are installed in an expansion rack, the second tray must be ordered separately along with each FlexiPack storage device.

▼ Installing the Tray

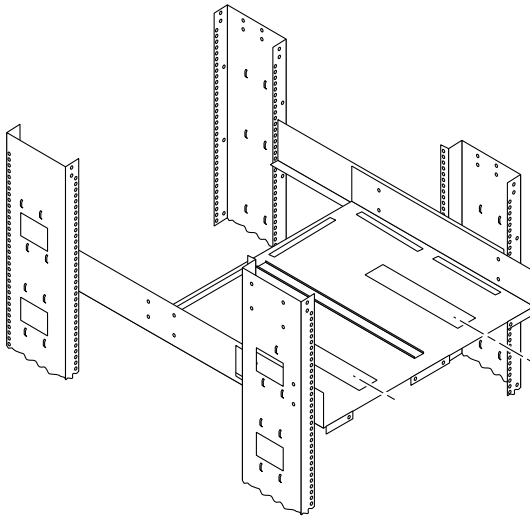


FIGURE 3-1 Installing the Tray in the System Rack

1. Power down the system.

If you do not know how to power down the system, see your system installation guide or system manual.

2. Use four #10-32 sheet metal screws, and partially install them in the rack holes on both the left and right sides of the rack. Do not tighten the screws fully.

Refer to the *Rackmount Placement Matrix* (802-6945) for mounting hole information.

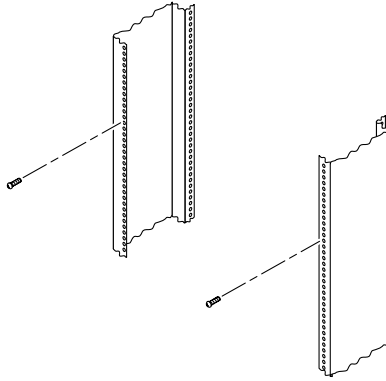


FIGURE 3-2 Installing the Screws in the System Rack Holes

- 3. With each mounting bracket, slide the rear-most key hole past the rear screw head. Slide the front key hole past the front screw head. Lower the bracket so that the key holes on both mounting brackets seat with the screws in the rack.**

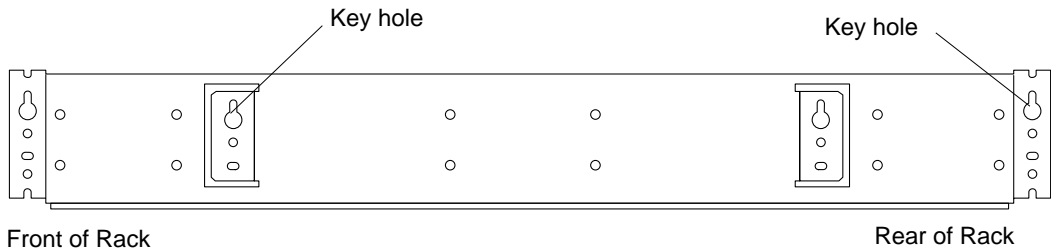


FIGURE 3-3 Installing the Mounting Bracket in the System Rack

- 4. Tighten the four #10-32 screws to hold the brackets securely.**

5. Slide the removable storage tray into the bracket so that the four screw holes on each side of the tray align with corresponding holes on the two brackets.

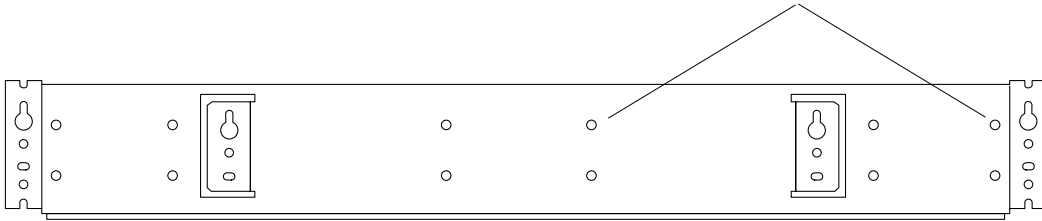


FIGURE 3-4 Aligning the Tray Screw Holes to the Bracket Screw Holes

6. Use eight #10-32 sheet metal screws to tighten each side (four screws on each side) of the removable storage tray to the mounting bracket screw holes. The screw holes on the tray and the brackets are threaded.

Installing the FlexiPack(s)

The following procedure is the same for a system rack and an expansion rack.

▼ Installing the FlexiPack(s)

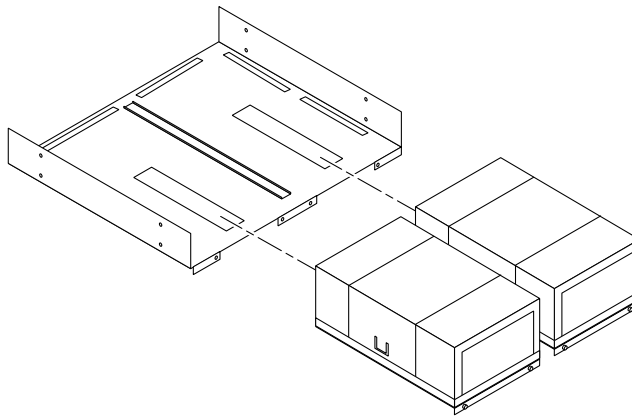


FIGURE 4-1 Installing the FlexiPack-sled Assemblies

1. Align the FlexiPack-sled assembly with the storage tray tracks.

If you are installing two FlexiPack-sled assemblies onto one tray, repeat this step on the second FlexiPack-sled assembly.

2. With both hands and with even pressure, push the FlexiPack-sled assembly inward along the tray tracks until the assembly is fully seated in the tray.

Repeat this step on the second FlexiPack-sled assembly, if there is a second one.

- 3. Using your thumb and index finger, tighten the two spring-mounted front thumbscrews so that the sled assembly is securely fastened to the front lip of the storage tray.**

Repeat this step on the second FlexiPack-sled assembly, if there is a second one.

- 4. If you are installing the storage tray in a**

- System rack, read Chapter 5 to complete the installation procedure.
- Expansion rack, the physical installation procedure is completed. Make the required power and data cable connections to the FlexiPack data storage device(s), close the rack door, and return power to the rack.

See the *SPARCstorage FlexiPack User's Guide (802-7738)* for additional information about FlexiPack storage devices.

Installing the Bezel/Door Panel Assembly in the System Rack

TABLE 5-1 Chapter 5 Installation Procedures

Number of Data Storage Devices Installed	Chapter 5 Procedure To Perform
1	“Filler Panel” on page 17.
2	“Bezel/Door Panel Assembly” on page 19.

Filler Panel

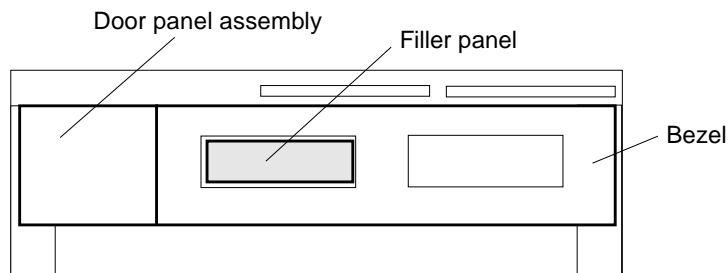


FIGURE 5-1 Filler Panel for Molded Front Bezel

Tool Needed

- #1 Phillips screwdriver

Parts Needed

- Filler panel
- Bezel
- Four #6-3/8-in. self-tapping screws

▼ Installation Procedure

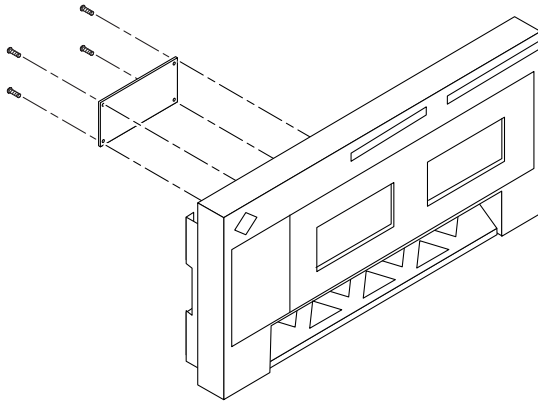


FIGURE 5-2 Installing the Filler Panel on the Bezel

1. Pass four #6-3/8-in. self-tapping screws through the filler panel.
2. Align the filler panel and screws with the corresponding holes on the back side of the bezel.
3. Tighten the screws to the bezel to secure the filler panel.

Bezel/Door Panel Assembly

Part Needed

- Bezel/door panel assembly

▼ Installation Procedure

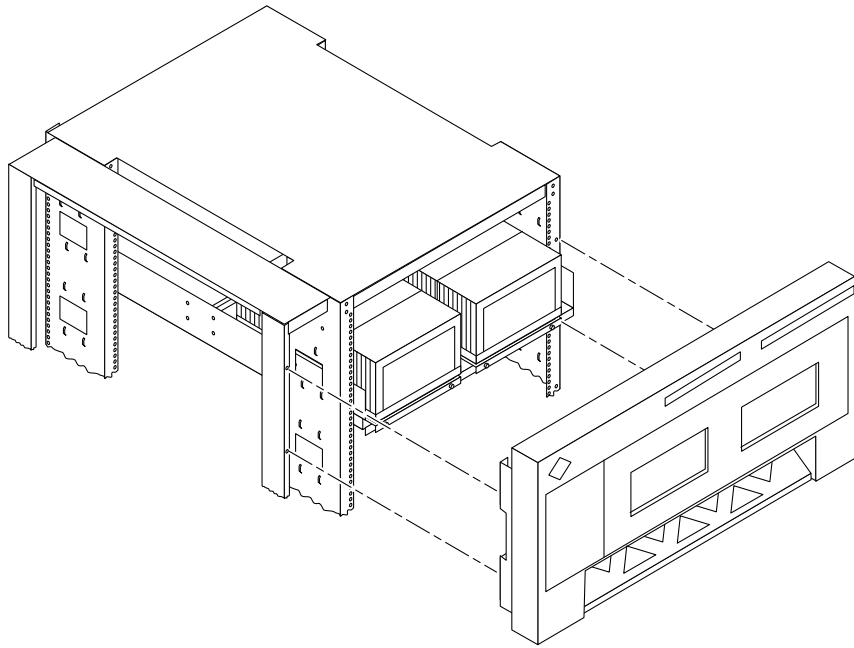


FIGURE 5-3 Installing the Bezel/Door Panel Assembly on the System Rack

Note – If an existing bezel is installed to the door panel assembly, remove the bezel from the door panel assembly by removing the ten screws which hold the bezel to the door panel assembly. Using these same screws, install the new bezel to the door panel assembly. Then follow the procedure on the next page.

1. Align the bezel/door panel assembly with the four mounting studs on the system rack (FIGURE 5-3).

2. With the palms of both hands and with even pressure, firmly press the bezel/door panel assembly panel onto the studs until the assembly is secured to the rack.

If you are installing the storage tray in a system rack, you have completed the physical installation procedure.

3. Make the required power and data cable connections to the FlexiPack data storage device(s) and return power to the rack.

See the *SPARCstorage FlexiPack User's Guide (802-7738)* for additional information about FlexiPack storage devices.