



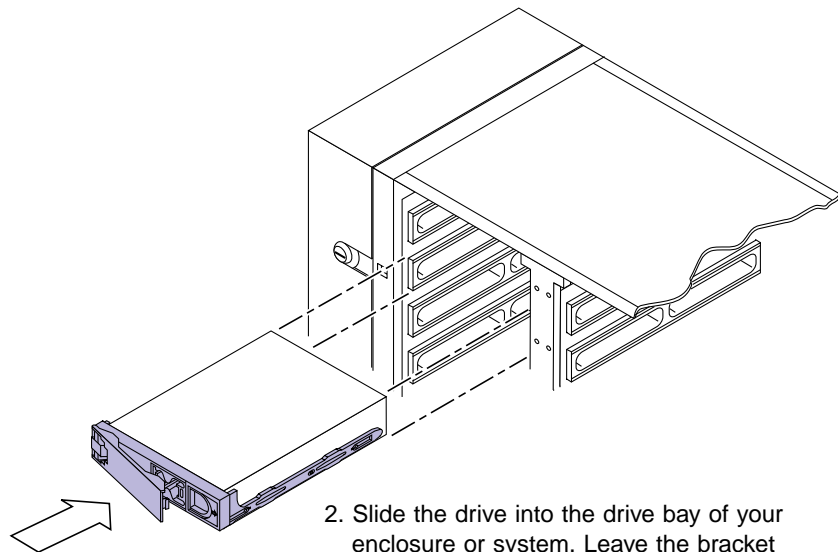
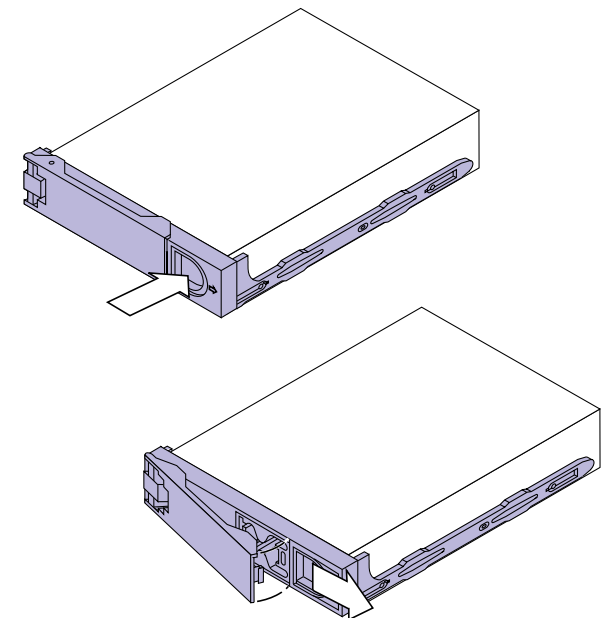
Using the Disk Drive Bracket

Refer to the documentation that came with your system or drive enclosure for more specific information on installing or removing a disk drive.



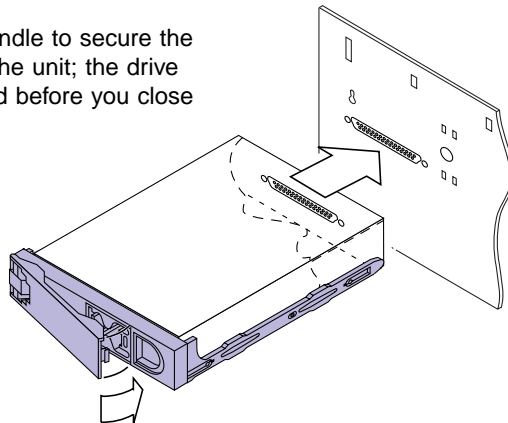
Caution – Attach an antistatic wrist strap before handling the drive. Failure to take precautions against electrostatic discharge could cause damage to drive components.

1. Open the disk drive bracket handle by sliding the tab out.



2. Slide the drive into the drive bay of your enclosure or system. Leave the bracket handle open as you slide the drive in.

3. Close the bracket handle to secure the SCSI connection to the unit; the drive must be fully installed before you close the handle.



4. To remove the drive, open the bracket handle to release the SCSI connection. Pull the drive out using the handle.

Copyright 1997 Sun Microsystems, Inc. All rights reserved. Sun, Sun Microsystems, and the Sun logo are trademarks or registered trademarks of Sun Microsystems, Inc. in the United States and in other countries.

Copyright 1997 Sun Microsystems, Inc. Tous droits réservés. Sun, Sun Microsystems, et le logo Sun sont des marques déposées ou enregistrées de Sun Microsystems, Inc. aux Etats-Unis et dans d'autres pays.

