

Sun™ Ultra™ 30 Installation Guide



The Network Is the Computer™

Sun Microsystems Computer Company

2550 Garcia Avenue
Mountain View, CA 94043 USA
415 960-1300 fax 415 969-9131

Part No.: 802-7715-11
Revision A, November 1997

© 1997 Sun Microsystems, Inc.
2550 Garcia Avenue, Mountain View, California 94043-1100 U.S.A.

All rights reserved. This product and related documentation are protected by copyright and are distributed under licenses restricting their use, copying, distribution, and decompilation. No part of this product or related documentation may be reproduced in any form by any means without prior written authorization of Sun and its licensors, if any.

Portions of this product may be derived from the UNIX[®] and Berkeley 4.3 BSD systems, licensed from UNIX System Laboratories, Inc., a wholly owned subsidiary of Novell, Inc., and the University of California, respectively. Third-party font software in this product is protected by copyright and licensed from Sun's font suppliers.

RESTRICTED RIGHTS LEGEND: Use, duplication, or disclosure by the United States Government is subject to the restrictions set forth in DFARS 252.227-7013 (c)(1)(ii) and FAR 52.227-19.

The product described in this manual may be protected by one or more U.S. patents, foreign patents, or pending applications.

TRADEMARKS















Sun, the Sun logo, Sun Microsystems, Solaris, Ultra, and SunOS are trademarks or registered trademarks of Sun Microsystems, Inc. in the U.S. and certain other countries. UNIX is a registered trademark in the United States and other countries, exclusively licensed through X/Open Company, Ltd. OPEN LOOK is a registered trademark of Novell, Inc. PostScript and Display PostScript are trademarks of Adobe Systems, Inc. All other product names mentioned herein are the trademarks of their respective owners.

All SPARC trademarks, including the SCD Compliant Logo, are trademarks or registered trademarks of SPARC International, Inc. SPARCstation, SPARCserver, SPARCprinter, SPARCengine, SPARCworks, SPARCcompiler, and microSPARC are licensed exclusively to Sun Microsystems, Inc. Products bearing SPARC trademarks are based upon an architecture developed by Sun Microsystems, Inc.

THIS PUBLICATION IS PROVIDED "AS IS" WITHOUT WARRANTY OF ANY KIND, EITHER EXPRESS OR IMPLIED, INCLUDING, BUT NOT LIMITED TO, THE IMPLIED WARRANTIES OF MERCHANTABILITY, FITNESS FOR A PARTICULAR PURPOSE, OR NON-INFRINGEMENT.

THIS PUBLICATION COULD INCLUDE TECHNICAL INACCURACIES OR TYPOGRAPHICAL ERRORS. CHANGES ARE PERIODICALLY ADDED TO THE INFORMATION HEREIN; THESE CHANGES WILL BE INCORPORATED IN NEW EDITIONS OF THE PUBLICATION. SUN MICROSYSTEMS, INC. MAY MAKE IMPROVEMENTS AND/OR CHANGES IN THE PRODUCT(S) AND/OR THE PROGRAM(S) DESCRIBED IN THIS PUBLICATION AT ANY TIME.



	1 Operating and Service Positions.....	6
	2 Opening the System Unit.....	8
	3 Installing DIMMs.....	10
	4 Changing the RS-423/232 Jumpers.....	14
	5 Installing the Hard Disk Drive.....	18
	6 Installing the Diskette Drive or Accessory Device.....	24
	7 Installing the CD-ROM Drive or Tape Drive.....	30
	8 Installing UPA Graphics Cards or PCI Cards.....	36
	9 Closing the System Unit.....	40
	10 DIMM Installation Guidelines.....	42
	11 DIMM Banks and Slot Pairs.....	44
	12 PCI Card Slot Operating Frequencies.....	46
	13 What's Next.....	48
	Safety Agency Compliance.....	50

Getting Started

Use this book to install your Sun™ Ultra™ 30 hardware. If you have received any internal options, install them first, and make any modifications to the system in the following order: DIMMs, RS-423/232 jumpers, hard disk drive, diskette drive, CD-ROM or tape drive, UPA graphics and PCI cards. Use this booklet and the documentation accompanying each option. To make external system connections, see the *Sun Ultra 30 Hardware Setup Instructions*. When you're ready to install Solaris™ software, see the *SMCC SPARC Hardware Platform Guide*.

The Ultra 30 system requires the Solaris 2.5.1 Hardware 4/97 release or later. Earlier releases of the Solaris 2.5.1 operating environment will not work in the Sun Ultra 30system.

☰ Inhalt

☰ 1 Betriebs- und Wartungsposition	6
☰ 2 Öffnen der Systemeinheit.....	8
☰ 3 Installieren der DIMMs	10
☰ 4 Umstecken der RS-423/232-Jumper.....	14
☰ 5 Installieren des Festplattenlaufwerks	18
☰ 6 Installieren des Diskettenlaufwerks oder Zusatzgeräts	24
☰ 7 Installieren des CD-ROM- oder Bandlaufwerks	30
☰ 8 Installieren von UPA-Grafikkarten oder PCI-Karten	36
☰ 9 Schließen der Systemeinheit	40
☰ 10 Hinweise zur DIMM-Installation.....	42
☰ 11 DIMM-Bänke und Steckplatzpaare	44
☰ 12 Betriebsfrequenzen der PCI-Karten-Steckplätze.....	46
☰ 13 Wie es weitergeht.....	48
⚠ Einhaltung der Sicherheitsvorschriften.....	51















🔵 Erste Schritte

Nehmen Sie dieses Buch bei der Installation der Sun™ Ultra™ 30 Hardware zu Hilfe. Falls Sie interne Bauteile erhalten haben, installieren Sie diese zuerst und führen Sie alle Änderungen am System in folgender Reihenfolge durch: DIMMs, RS-423/232-Jumper, Festplattenlaufwerk, Diskettenlaufwerk, CD-ROM- oder Bandlaufwerk, UPA-Grafikkarten und PCI-Karten. Informationen finden Sie im vorliegenden Handbuch sowie in der Dokumentation zum jeweiligen Bauteil. Die externen Systemanschlüsse werden entsprechend den Anleitungen im Handbuch *Sun Ultra 30 Hardware Setup Instructions* eingerichtet. Anleitungen zur Installation der Solaris™-Software finden Sie im *Handbuch zur SMCC SPARC-Hardwareplattform*.

Für das Ultra 30-System ist die Solaris 2.5.1-Hardwareversion 4/97 oder höher erforderlich. Ältere Versionen der Solaris 2.5.1-Betriebsumgebung sind mit dem Sun Ultra 30-System nicht einsetzbar.





	1 Lägen för drift och service	6
	2 Öppna systemenheten	8
	3 Installera DIMM-moduler	10
	4 Ändra RS-423/232-byglarna.....	14
	5 Installera skivminnet	18
	6 Installera diskettenheten eller tillbehörsenheten.....	24
	7 Installera CD-spelaren eller bandstationen.....	30
	8 Installera UPA-grafikkort eller PCI-kort	36
	9 Stänga systemenheten.....	40
	10 Installationsanvisningar för DIMM-moduler.....	42
	11 DIMM-uppsättningar och kortplatspar.....	44
	12 Driftsfrekvenser för PCI-kortplatser.....	46
	13 Gå vidare	48
	Säkerhetsföreskrifter	52

Komma igång

Med hjälp av det här häftet kan du installera din Sun™ Ultra™ 30. Om du har skaffat några interna tillägg till systemet ska du installera dem först. Sedan kan du modifiera systemet i följande turordning: DIMM-moduler, RS-423/232-byglar, skivminnen, diskettenhet, CD-spelare eller bandstation, UPA-grafikkort och PCI-kort. Använd då den här bruksanvisningen tillsammans med dokumentationen för varje tillägg. Om du vill ansluta extern utrustning till systemet bör du läsa *Sun Ultra 30 Hardware Setup Instructions*. När du är klar att installera operativsystemet Solaris™ kan du läsa *Handbok för SPARC-plattformar från SMCC*.

Ultra 30-systemet kräver Solaris 2.5.1 version 4/97 eller senare. Tidigare versioner av operativsystemet Solaris 2.5.1 fungerar inte med Sun Ultra 30-systemet.







Electromagnetic Compatibility Information – U.S.A.

System Classes

Please read all of the following information to determine the class of system you have and the environment in which it should be installed and operated.

In the United States, the Federal Communications Commission (FCC) governs the levels of electromagnetic emissions from a digital device. Electromagnetic emissions can interfere with radio and television transmission. To reduce the risk of harmful interference, the FCC has established requirements for manufacturers of digital devices.

A manufacturer of a digital device must test and label the product to inform an end-user of the maximum emission level from the product when used in accordance with its instructions. The FCC has established two classes of levels, Class A and Class B. A system that meets the FCC Class A requirements may be marketed for use in an industrial or a commercial area. A system that meets the more stringent FCC Class B requirements may be marketed for use in a residential area in addition to use in an industrial or a commercial area.

An end-user in the United States is responsible for ensuring that his system is suitable for its environment as stated in the above paragraph and bears the financial responsibility for correcting harmful interference.

For a system to be considered an FCC Class B system, all peripherals of the system (workstation, monitor, keyboard, mouse, external disk and tape drives, modem, printer, etc.) must be labeled as such. If any peripheral or the workstation itself is labeled as FCC Class A, the entire system becomes FCC Class A and should not be used in a residential area.

To determine if your system is FCC Class A or FCC Class B, you must check the marking on each peripheral and on your workstation. Each piece of equipment should have an FCC statement marked on the unit. The FCC statement should identify the equipment as Class A or Class B. If there is no indication of the Class in the FCC statement, consider it to be Class A unless there is a mark which states "FCC ID:" followed by alphanumeric characters. If it has this FCC ID mark, it is Class B. If any of the peripherals in your system is not marked with an FCC statement, the equipment should not be used in a home because of the greater likelihood of interference to radio and television reception. Contact the manufacturer of the peripheral if you have any questions.

If a PCI board is added to the workstation by the end-user, the FCC Class of the machine could be affected. A PCI board should be marked to indicate the FCC Class of the board. If an FCC Class A PCI board is added to an FCC Class B workstation, the system becomes FCC Class A.

Modifications

If the end-user adds single in-line memory modules (SIMMs) or internal drives to the workstation, the FCC Class of the machine

could be affected. All SIMMs and internal drives offered by Sun for use in a Sun™ workstation have been tested and will not change the FCC Class labeled on the workstation if it is installed per the instructions in the Sun Installation Guide.

If memory or drives are purchased from sources other than Sun, the FCC Class of the workstation may be adversely affected. Modifications not approved by Sun may void the authority granted by the FCC to operate the equipment.

Shielded Cables

Connections between the workstation and peripherals must be made using shielded cables in order to maintain compliance with FCC radio frequency emission limits.

One of the following notices applies to your system. Please refer to the appropriate statement.

FCC Class A Notice

If your system is FCC Class A, the following applies:

Note – This equipment has been tested and found to comply with the limits for a Class A digital device, pursuant to Part 15 of the FCC Rules. These limits are designed to provide reasonable protection against harmful interference when the equipment is operated in a commercial environment. This equipment generates, uses, and can radiate radio frequency energy and, if not installed and used in accordance with the installation manual, may cause harmful interference to radio communications. Operation of this equipment in a residential area is likely to cause harmful interference, in which case the user will be required to correct the interference at his own expense.

FCC Class B Notice

If your system is FCC Class B, the following applies:

Note – This equipment has been tested and found to comply with the limits for a Class B digital device, pursuant to Part 15 of the FCC Rules. These limits are designed to provide reasonable protection against harmful interference in a residential installation. This equipment generates, uses, and can radiate radio frequency energy and, if not installed and used in accordance with the instructions, may cause harmful interference to radio communications. However, there is no guarantee that interference will not occur in a particular installation. If this equipment does cause harmful interference to radio or television reception, which can be determined by turning the equipment off and on, the user is encouraged to try to correct the interference by one or more of the following measures:

- Reorient or relocate the receiving antenna.
- Increase the separation between the equipment and receiver.
- Connect the equipment into an outlet on a circuit different from the circuit to which the receiver is connected.
- Consult the dealer or an experienced radio/TV technician for help.

Norge



A D V A R S E L – Litiumbatteri — Eksplosjonsfare.

Ved utskifting benyttes kun batteri som anbefalt av apparatfabrikanten. Brukt batteri returneres apparatleverandøren.

Sverige



WARNING – Explosionsfara vid felaktigt batteribyte. Använd samma batterityp eller en ekvivalent typ som

rekommenderas av apparattillverkaren. Kassera använt batteri enligt fabrikantens instruktion.

Danmark



ADVARSEL! – Litiumbatteri — Eksplosionsfare ved fejlagtig håndtering. Udsiftning må kun ske med batteri af samme fabrikat og type. Levér det brugte batteri tilbage til leverandøren.

Suomi



VAROITUS – Paristo voi räjähtää, jos se on virheellisesti asennettu. Vaihda paristo ainoastaan laitevalmistajan

suosittelemaan tyyppiin. Hävitä käytetty paristo valmistajan ohjeiden mukaisesti.

Operating and Service Positions

Operating Position

The Sun Ultra 30 system can be operated in either a vertical or horizontal position.

Service Position

Place the system in the horizontal service position on a hard surface to perform service on the system.

Aufstellung bei Betrieb und Wartung

In Betrieb

Zum Betrieb kann das Sun Ultra 30 System in vertikaler oder horizontaler Position aufgestellt werden.

Wartung

Zu Wartungsarbeiten stellen Sie das System in horizontaler Position auf eine stabile Unterlage.

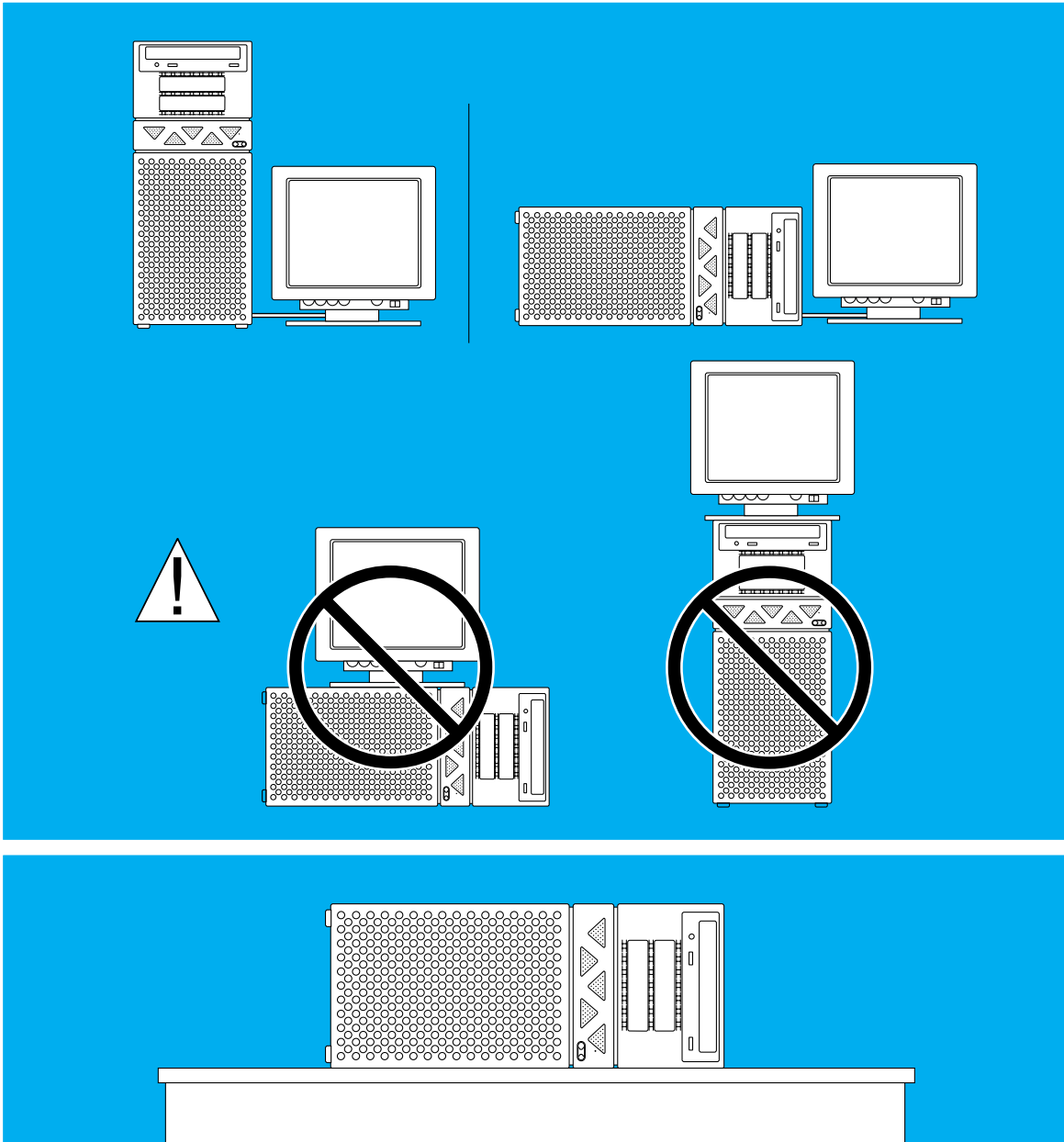
Lägen för drift och service

Läge för drift

Sun Ultra 30-systemet kan drivas både stående och liggande.

Läge för service

Placera systemet liggande på ett hårt underlag när det är dags för service.



Opening the System Unit

Note — If the lock block is installed, you must remove it before opening the system unit.

1. Press the Standby (⏻) side of the power switch.
2. Grasp the side panel and pull it toward the back of the system. Lift up and remove the panel.

Öffnen der Systemeinheit

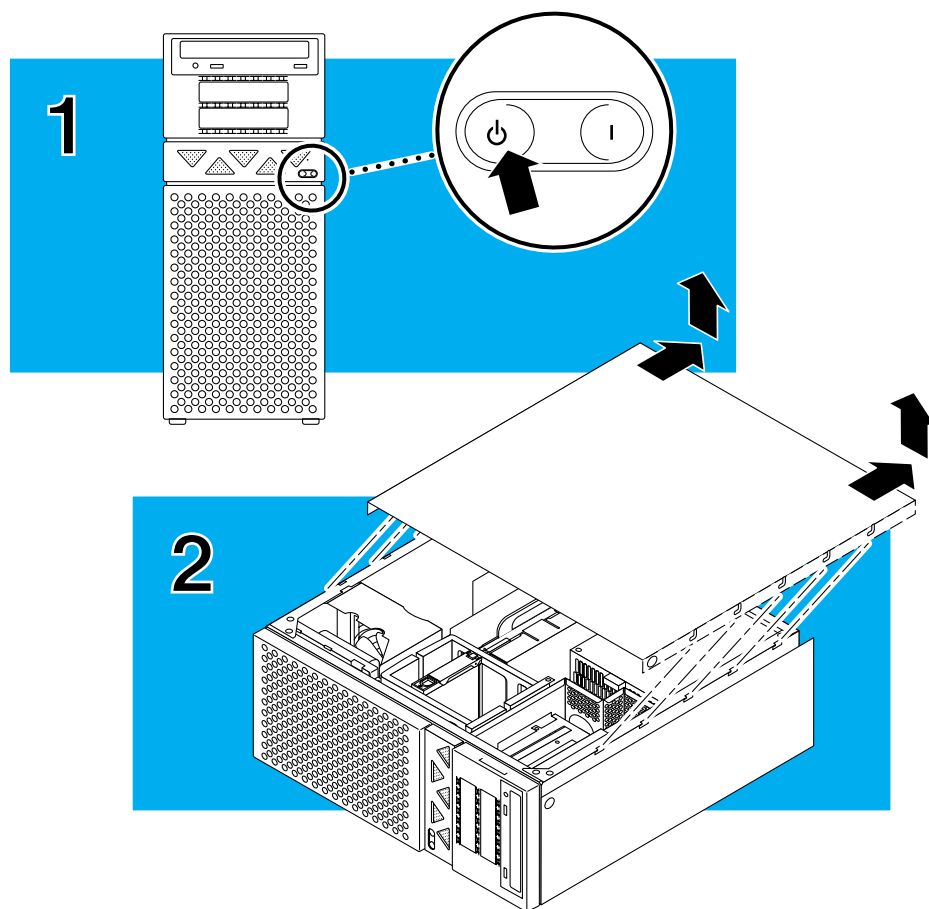
Hinweis – Falls die Blocksperrung installiert ist, müssen Sie diese entfernen, um die Systemeinheit öffnen zu können.

1. Drücken Sie die mit „Standby“ (⏻) beschriftete Seite des Ein-/Aus-Schalters.
2. Schieben Sie die Seitenwand nach hinten und heben Sie sie nach oben ab.

Öppna systemenheten

Observera – Om låsblocket används måste du ta bort det innan du öppnar systemenheten.

1. Tryck på (⏻) på strömbrytaren.
 2. Ta tag i sidopanelen och dra den mot systemets baksida. Lyft upp och ta bort panelen.
-



Installing DIMMs

Note - Use only dual inline memory modules (DIMMs) that are specifically designed for your Sun Ultra 30 system. See (≡ 10).

1. Power off your system and open the system unit (≡ 2).
2. Locate the wrist strap, and attach its adhesive copper strip to the chassis back panel. Wrap the other end twice around your wrist, with the adhesive side against your skin.

3. Locate and select an available bank of DIMM slots on the main logic board. See (≡ 11).

Note - If the power supply is blocking the DIMM slots, use a Phillips screwdriver to loosen the four screws that hold the power supply to the chassis. Disconnect the power harness plug from the back of the power supply. Remove the power supply from the chassis.

Installieren der DIMMs

Hinweis – Verwenden Sie nur DIMMs (Dual Inline Memory Modules), die speziell für den Einsatz auf Sun Ultra 30 Systemen vorgesehen sind. Siehe (≡ 10).

1. Schalten Sie das System aus und öffnen Sie die Systemeinheit (≡ 2).
2. Befestigen Sie das eine Ende des Erdungsbands mit dem klebenden Metallstreifen an der Rückseite des Systemgehäuses. Winden Sie das andere Ende zweimal um Ihr Handgelenk, mit der klebenden Seite nach innen.

3. Stellen Sie fest, wo sich auf der Hauptplatine die DIMM-Steckplätze befinden, und wählen Sie eine beliebige freie DIMM-Bank. Siehe (≡ 11).

Hinweis – Falls das Netzteil die DIMM-Steckplätze versperrt, lösen Sie mit einem Kreuzschlitz-Schraubenzieher die vier Schrauben, mit denen das Netzteil am Systemgehäuse befestigt ist. Lösen Sie den Kabelbaumstecker der Stromversorgung von der Rückseite des Netzteils. Nehmen Sie das Netzteil aus dem Systemgehäuse heraus.

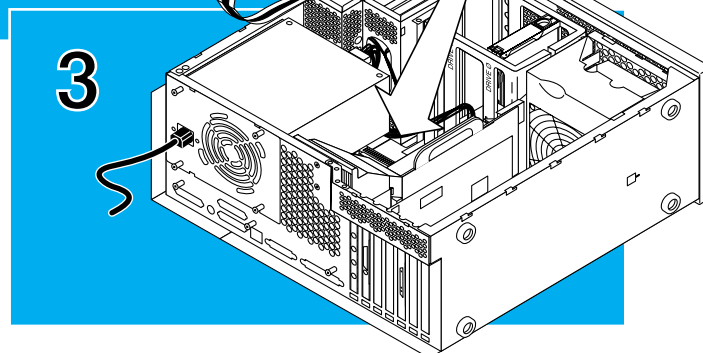
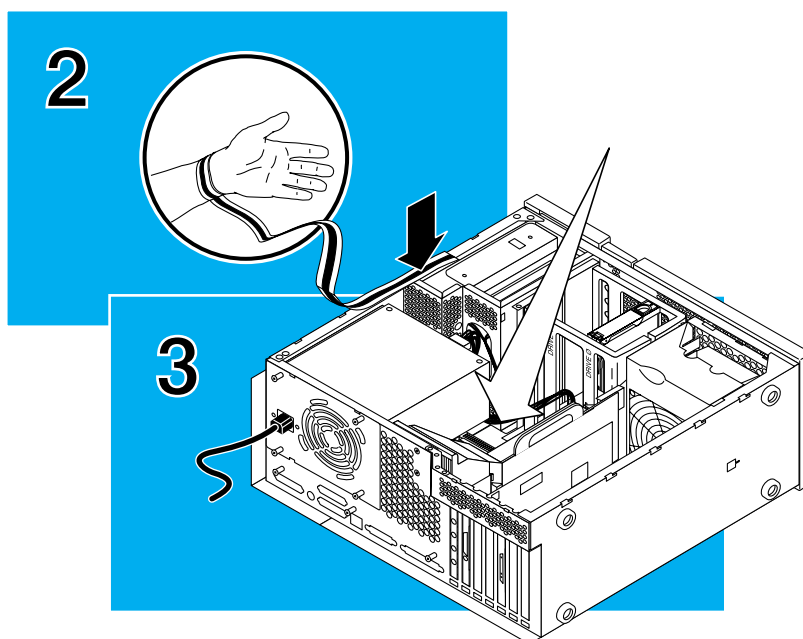
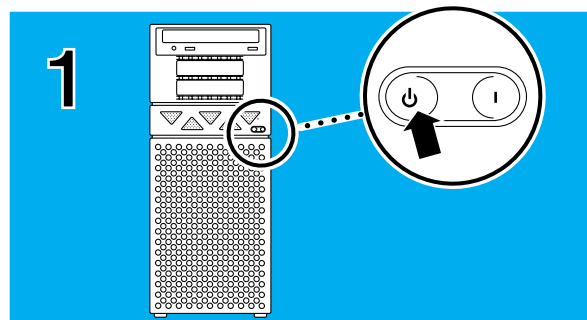
Installera DIMM-moduler

Observera – Använd bara DIMM-moduler som är konstruerade för att användas i ett Sun Ultra 30-system. Se (≡ 10).

1. Stäng av systemet och öppna systemenheten (≡ 2).
2. Sätt på antistatarmbandet. Fäst änden med den själv-häftande kopparremsan på systemenhetens baksida. Linda den andra änden 2 ggr runt handleden, självhäftande sidan inåt.

3. Leta reda på en ledig uppsättning platser för DIMM-moduler på systemkortet. Se (≡ 11).

Observera - Om nåtdelen blockerar DIMM-platserna ska du med en Phillips-skruvmejsel lossa de fyra skruvar som fäster nåtdelen i systemenheten. Koppla från likströmskabelkontakten från nåtdelens baksida. Ta bort nåtdelen från systemenheten.



Installing DIMMs

4. Unpack the DIMM, holding it only by the edges.
5. For each DIMM, align the notch on the side of the DIMM with the ejector on the DIMM slot. Insert the DIMM into the slot.
6. Push it firmly into its connector until you hear a "click."

Note - If necessary, replace the power supply. Use a Phillips screwdriver to tighten the four screws that attach the power supply to the chassis.

7. Detach the wrist strap and close the system unit (≡ 9).

Installieren der DIMMs

4. Nehmen Sie das DIMM aus der Verpackung. Halten Sie es dabei nur an den Rändern fest.
5. Richten Sie bei jedem DIMM die seitlichen Ausschnitte mit den Führungen im Steckplatz aus. Schieben Sie das DIMM auf den Steckplatz.
6. Drücken Sie das DIMM von oben fest in den Steckplatz, bis es mit einem Klicken einrastet.

Hinweis – Setzen Sie ggf. das Netzteil wieder ein. Hierzu ziehen Sie die vier Befestigungsschrauben des Netzteils mit einem Kreuzschlitz-Schraubenzieher am Systemgehäuse an.

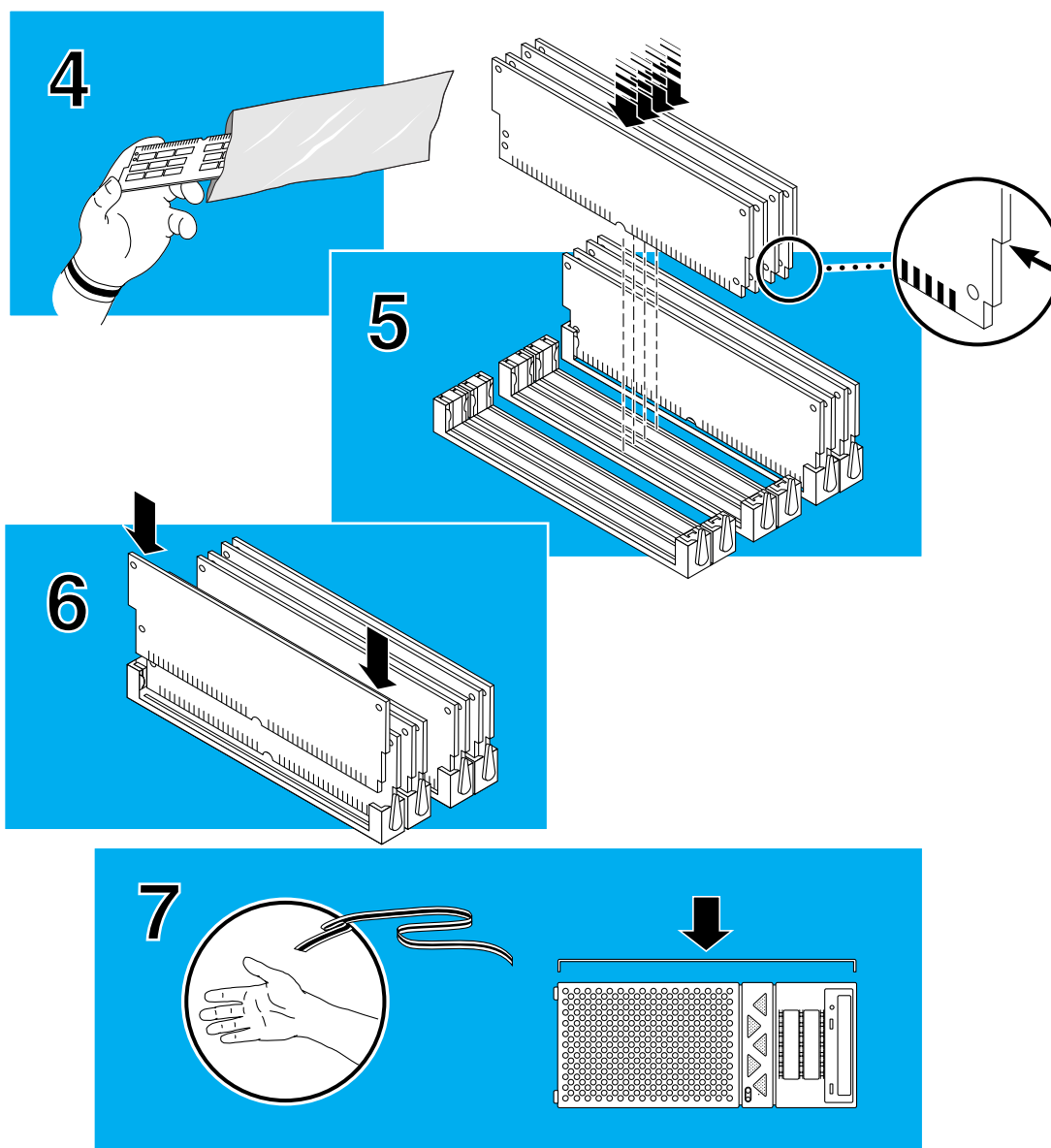
7. Entfernen Sie das Erdungsband und schließen Sie die Systemeinheit (≡ 9).

Installera DIMM-moduler

4. Packa upp DIMM-modulen. Håll den enbart i kanterna.
5. Placera DSIMM-modulen i sockeln så att skårorna i modulen och flikarna i sockeln kommer mitt för varandra.
6. Tryck med bägge tummarna rakt ned på modulen tills du hör ett klick.

Observera - Sätt vid behov tillbaka nätdelen. Använd en Phillips-mejsel och skruva fast de fyra skruvar som fäster nätdelen i systemenheten.

7. Ta av antistatarmbandet och stäng systemenheten (≡ 9).
-



Changing the RS-423/232 Jumpers

Note — If you are connecting your system to a public X.25 network, you may need to change the serial port mode jumpers from RS-423 to RS-232 mode.

1. Power off the system and open the system unit (≡ 2).
2. Locate the wrist strap, and attach its adhesive copper strip to the chassis back panel. Wrap the other end twice around your wrist, with the adhesive side against your skin.

3. Use a Phillips screwdriver to loosen the four screws that hold the power supply to the chassis. Disconnect the power harness plug from the back of the power supply. Remove the power supply from the chassis.

Note — The power cord must remain plugged into the power source.

Umstecken der RS-423/232-Jumper

Hinweis – Falls Sie Ihr System an ein öffentlich zugängliches X.25-Netzwerk in Europa anschließen, müssen Sie möglicherweise die Jumper für serielle Anschlüsse von RS-423 auf RS-232 umstecken.

1. Schalten Sie das System aus und öffnen Sie die Systemeinheit (≡ 2).
2. Befestigen Sie das eine Ende des Erdungsbands mit dem klebenden Metallstreifen an der Rückseite des Systemgehäuses. Winden Sie das andere Ende zweimal um Ihr Handgelenk, mit der klebenden Seite nach innen.

3. Lösen Sie mit einem Kreuzschlitz-Schraubenzieher die vier Schrauben, mit denen das Netzteil am Systemgehäuse befestigt ist. Lösen Sie den Kabelbaumstecker der Stromversorgung von der Rückseite des Netzteils. Nehmen Sie das Netzteil aus dem Systemgehäuse heraus.

Hinweis – Das Netzkabel muß an der Stromquelle angeschlossen bleiben.

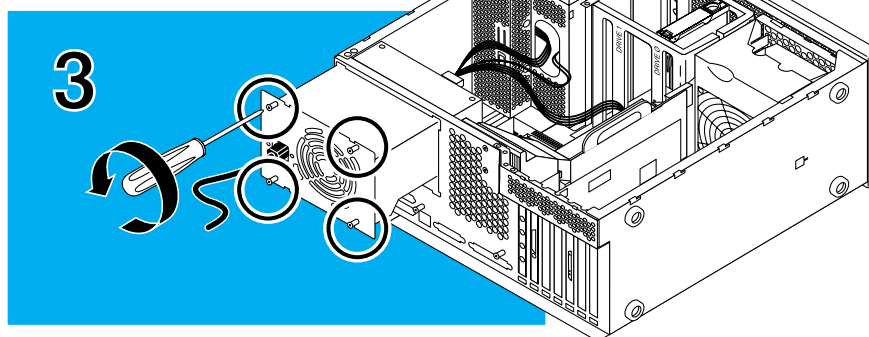
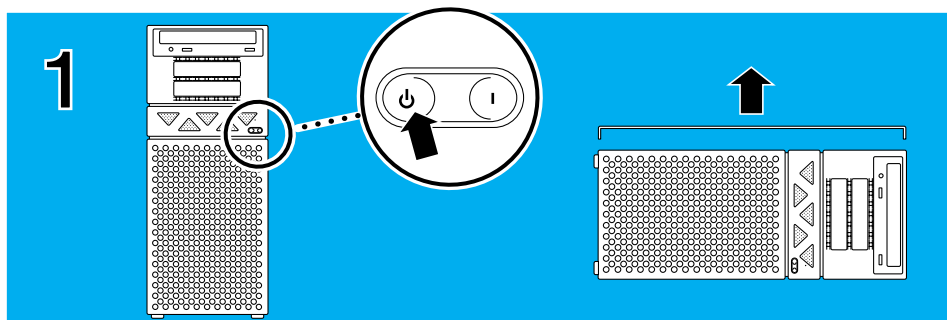
Ändra RS423/232-byglarna

Observera – Om du ansluter ditt system till ett publikt X.25-nätverk kan du behöva ändra byglarna så att serieporten arbetar i RS-232-läge och inte i RS-423-läge.

1. Stäng av systemet och öppna systemenheten (≡ 2).
2. Sätt på dig antistatarmbandet. Fäst änden med den självhäftande kopparremsan på systemenhetens baksida. Linda den andra änden två gånger runt handleden, med den självhäftande sidan mot huden.

3. Lossa med en Phillips-mejsel de fyra skruvarna som fäster nätdelen i systemenheten. Koppla från likströmskabelkontakten från nätdelens baksida. Ta bort nätdelen från systemenheten.

Observera – Nätsladden måste vara inkopplad.



Changing the RS-423/232 Jumpers

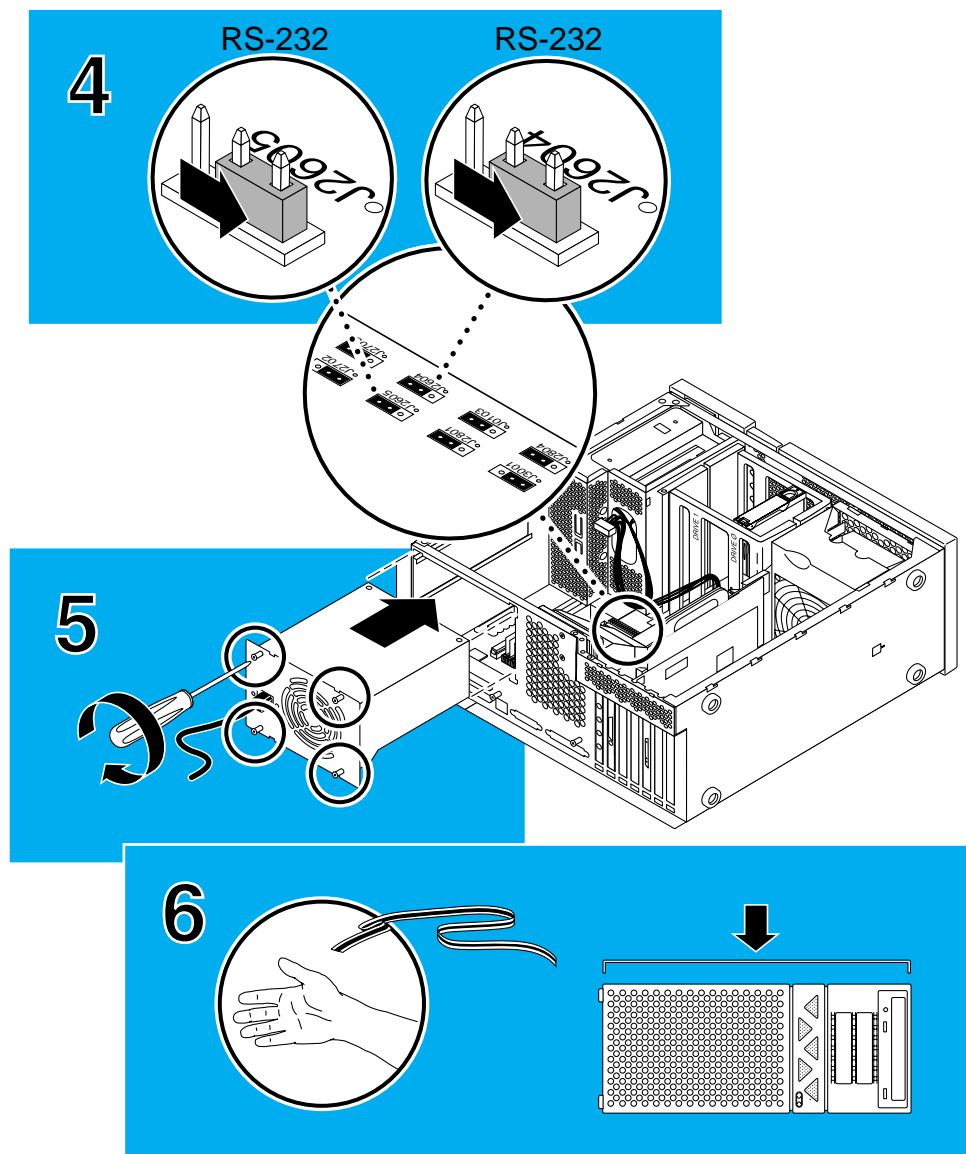
4. Locate the jumpers on the main logic board. Change the jumpers on J2605 and J2604 to the RS-232 position.
5. Replace the power supply.
6. Detach the wrist strap and close the system unit (≡ 9).

Umstecken der RS-423/232-Jumper

4. Stellen Sie fest, wo sich auf der Hauptplatine die Jumper befinden. Stecken Sie die Jumper sowohl bei J2605 als auch bei J2604 auf die RS-232-Position.
5. Setzen Sie das Netzteil wieder ein.
6. Entfernen Sie das Erdungsband und schließen Sie die Systemeinheit (≡ 9).

Ändra RS423/232-byglarna

7. Leta reda på byglarna på systemkortet. Flytta byglarna på J2605 och J2604 till position "B".
 5. Sätt tillbaka nätdelen.
 6. Ta av antistatarmbandet och stäng av systemet (≡ 9)
-



≡ 5

Installing the Hard Disk Drive

Note — Use only hard disk drives that are specifically designed for a Sun Ultra 30 system.

1. Power off the system and open the system unit (≡ 2).
2. Locate the wrist strap, and attach its adhesive copper strip to the chassis back panel. Wrap the other end twice around your wrist, with the adhesive side against your skin.
3. Locate the hard drive bay.

Installieren des Festplattenlaufwerks

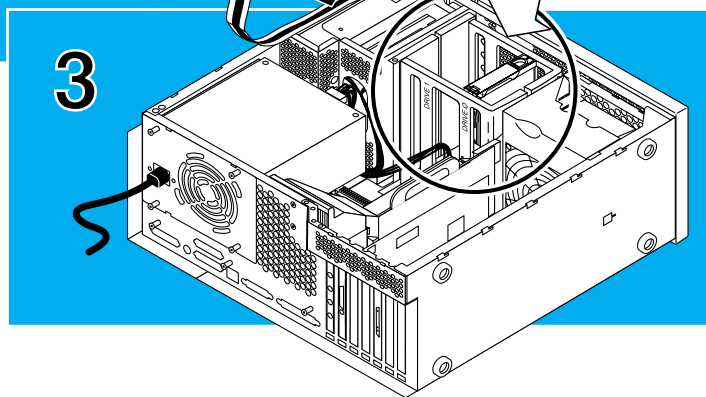
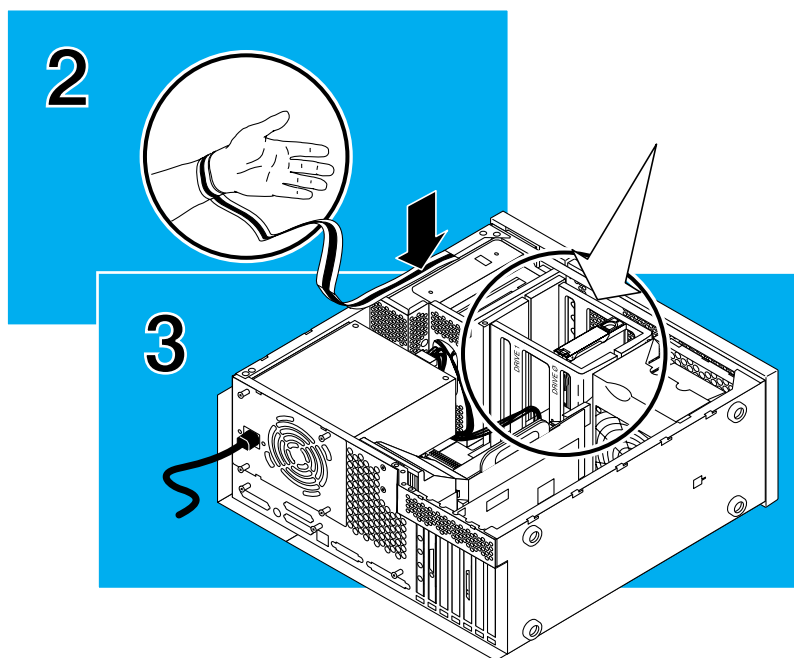
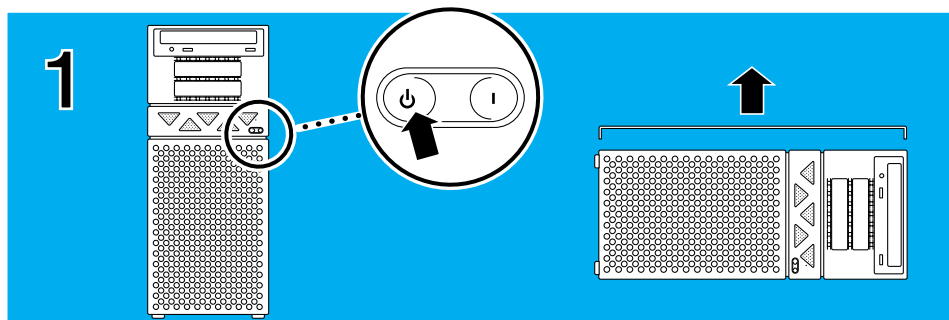
Hinweis – Verwenden Sie nur Festplattenlaufwerke, die speziell für den Einsatz auf Sun Ultra 30 Systemen vorgesehen sind.

1. Schalten Sie das System aus und öffnen Sie die Systemeinheit (≡ 2).
2. Befestigen Sie das eine Ende des Erdungsbands mit dem klebenden Metallstreifen an der Rückseite des Systemgehäuses. Winden Sie das andere Ende zweimal um Ihr Handgelenk, mit der klebenden Seite nach innen.
3. Stellen Sie fest, wo sich der Schacht für das Festplattenlaufwerk befindet.

Installera skivminnet

Observera – Använd endast fasta skivminnen som är konstruerade för Sun Ultra 30-system.

1. Stäng av systemet och öppna systemenheten (≡ 2).
2. Sätt på dig antistatarmbandet. Fäst änden med den självhäftande kopparremsan på systemenhetens baksida. Linda den andra änden två gånger runt handleden, med den självhäftande sidan mot huden.
3. Leta rätt på skivminnets plats.



Installing the Hard Disk Drive

4. Remove the hard disk drive from the antistatic bag. Read the hard disk drive product guide for information about jumper switch settings, or other installation tasks.

Note — By default, SCSI address 0 is assigned to the drive in the bottom position, and SCSI address 1 is assigned to the drive in the top position. Make sure external SCSI devices connected to the onboard SCSI connector do not use the same addresses (0, 1 and 6; 4 or 5) used for internal SCSI devices.

Installieren des Festplattenlaufwerks

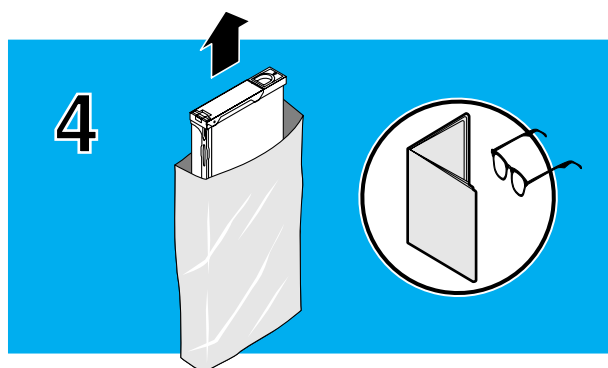
4. Nehmen Sie das Festplattenlaufwerk aus der Antistatikhülle heraus. Lesen Sie das mit dem Festplattenlaufwerk gelieferte Produkthandbuch, um sich über Jumper-Einstellungen und andere installationsspezifische Daten zu informieren.

Hinweis – Die SCSI-Adresse 0 ist standardmäßig dem Laufwerk in der untersten Position zugeordnet, und die SCSI-Adresse 1 dem Laufwerk in der obersten Position. Stellen Sie sicher, daß externe SCSI-Geräte, die an der SCSI-Steckverbindung der Platine angeschlossen sind, nicht dieselben Adressen verwenden wie interne SCSI-Geräte.

Installera skivminnet

4. Ta ut skivminnet ur antistatpåsen. I bruksanvisningen för skivminnet kan du läsa mer om inställning av byglar och vippkontakter med mera

Observera – Skivminnet längst ned tilldelas som standard SCSI-adress 0. Skivminnet högst upp tilldelas som standard SCSI-adress 1. Se till att externa SCSI-enheter som är kopplade till den inbyggda SCSI-kontakten inte använder samma adresser (0, 1 och 6; 4 eller 5) som används för interna enheter.



Installing the Hard Disk Drive

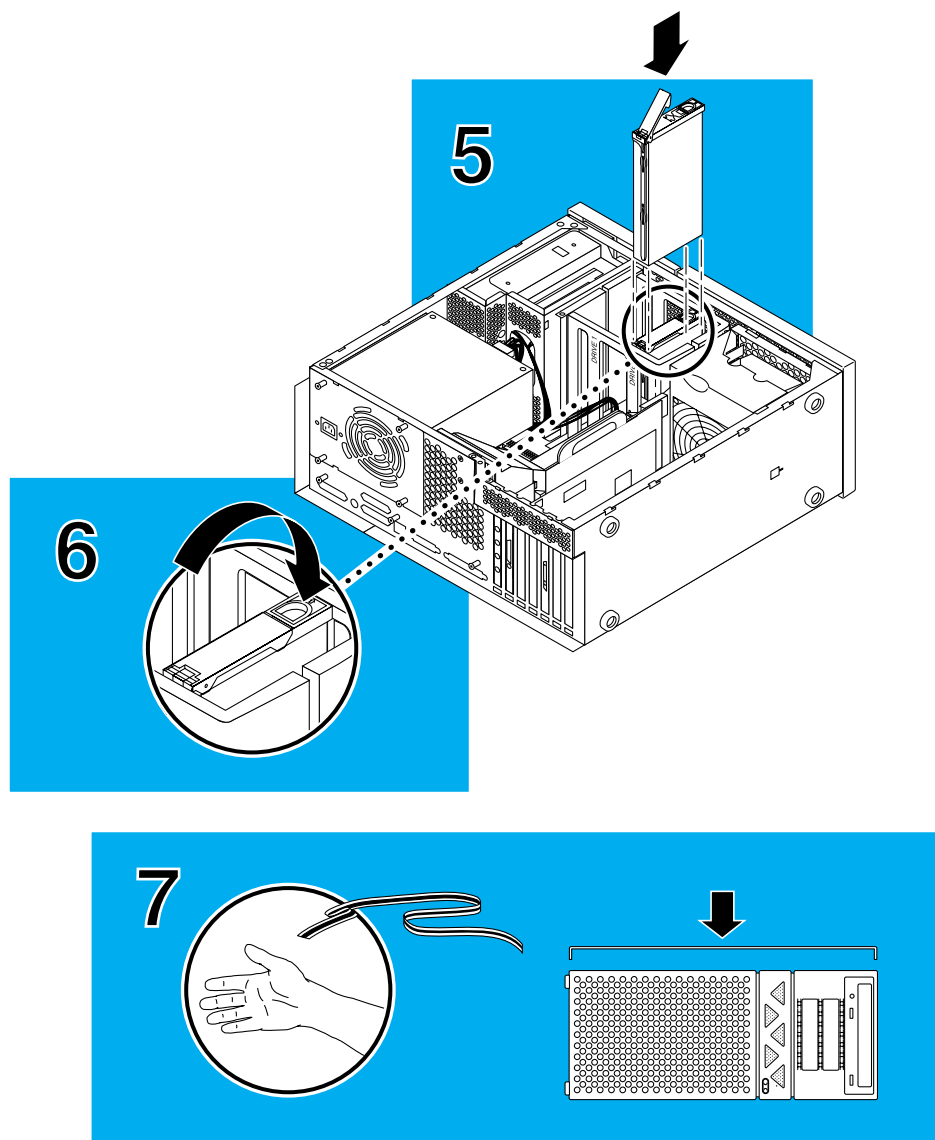
5. Open the drive handle and slide the drive completely into the drive bay. Press the drive to connect it to the SCSI port in the system.
6. Close the drive handle. The handle will not latch if the drive is not properly attached or closed.
7. Detach the wrist strap and close the system unit (≡ 9).

Installieren des Festplattenlaufwerks

5. Öffnen Sie die Laufwerksverriegelung und schieben Sie das Laufwerk vollständig in den Laufwerksschacht. Drücken Sie das Laufwerk auf den SCSI-Anschluß, um die Verbindung herzustellen.
6. Schließen Sie die Laufwerksverriegelung. Die Verriegelung rastet nicht ein, wenn das Laufwerk nicht korrekt eingepaßt wurde.
7. Entfernen Sie das Erdungsband und schließen Sie die Systemeinheit (≡ 9).

Installera skivminnet

5. Fäll ut handtaget på skivenheten och skjut in skivminnet helt och hålllet. Tryck in det så att det ansluts till SCSI-porten i systemet.
 6. Fäll tillbaka handtaget. Det knäpper inte igen om skivminnet inte är rätt installerat.
 7. Ta av antistatarmbandet och stäng systemenheten (≡ 9).
-



Installing the Diskette Drive or Accessory Device

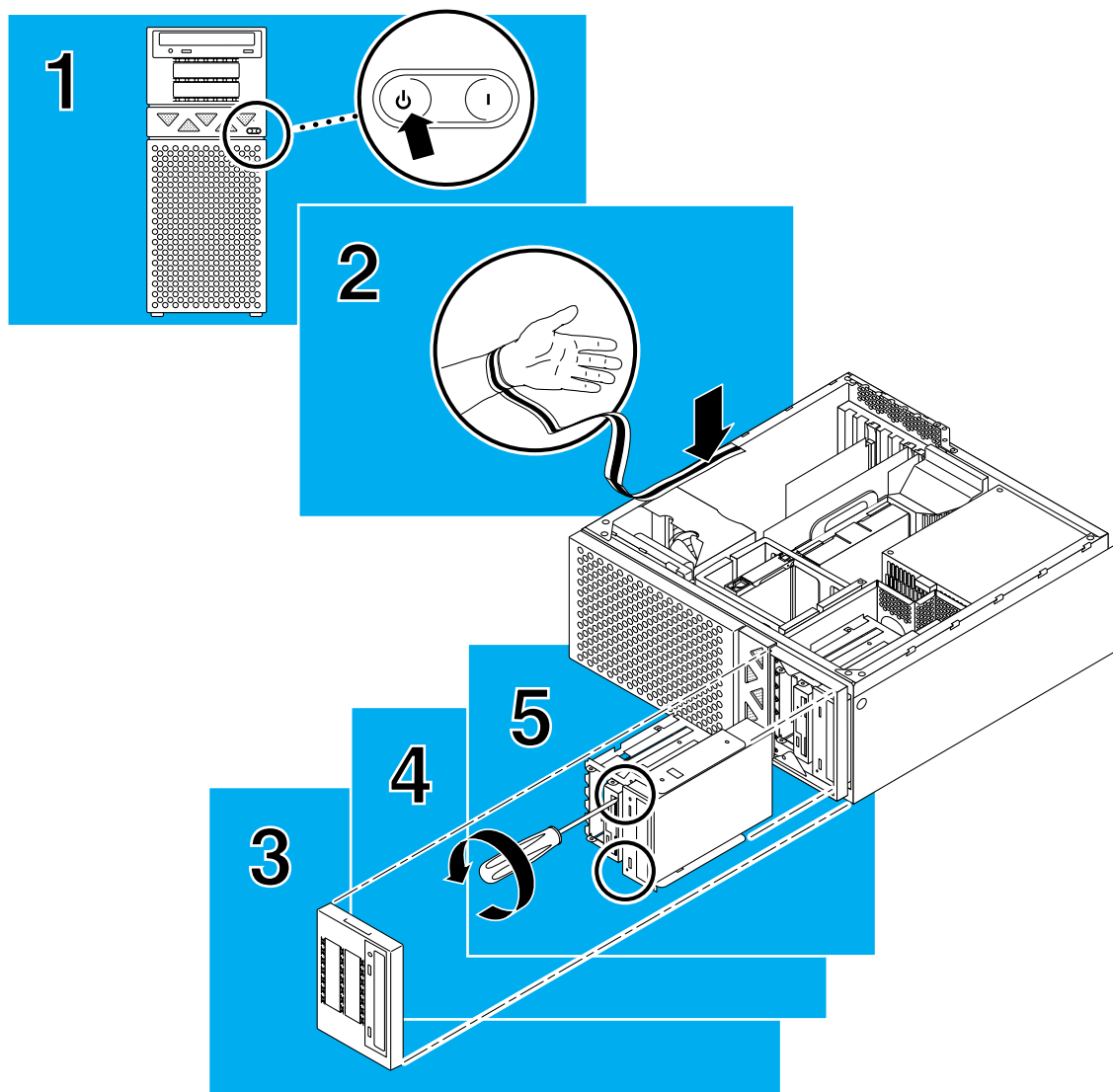
1. Power off the system and open the system unit (≡ 2).
2. Locate the wrist strap, and attach its adhesive copper strip to the chassis back panel. Wrap the other end twice around your wrist, with the adhesive side against your skin.
3. Remove the drive bezel from the front of the system unit.
4. Use a Phillips screwdriver to loosen the two screws holding the drive bracket to the system.
5. Push the power cable away from the drive bracket. Lift the drive bracket out of the system.

Installieren des Diskettenlaufwerks oder Zusatzgeräts

1. Schalten Sie das System aus und öffnen Sie die Systemeinheit (≡ 2).
2. Befestigen Sie das eine Ende des Erdungsbands mit dem klebenden Metallstreifen an der Rückseite des Systemgehäuses. Winden Sie das andere Ende zweimal um Ihr Handgelenk, mit der klebenden Seite nach innen.
3. Entfernen Sie die Laufwerkeinfassung von der Vorderseite der Systemeinheit.
4. Lösen Sie mit einem Kreuzschlitz-Schraubenzieher die beiden Schrauben, mit denen die Laufwerkshalterung befestigt ist.
5. Drücken Sie das Netzkabel von der Laufwerkshalterung weg. Heben Sie die Laufwerkshalterung nach oben aus dem System heraus.

Installera diskettenheten eller tillbehörsenheten

1. Stäng av systemet och öppna systemenheten (≡ 2).
2. Sätt på dig antistatarmbandet. Fäst änden med den självhäftande kopparremsan på systemenhetens baksida. Linda den andra änden två gånger runt handleden, med den självhäftande sidan mot huden.
3. Ta bort enhetsinfattningen från systemenhetens framsida.
4. Lossa med en Phillips-mejsel de två skruvar som fäster diskettenhetens hållare i systemenheten.
5. Skjut undan nätsladden från diskettenhetens hållare. Lyft ut hållaren ur systemenheten.



Installing the Diskette Drive or Accessory Device

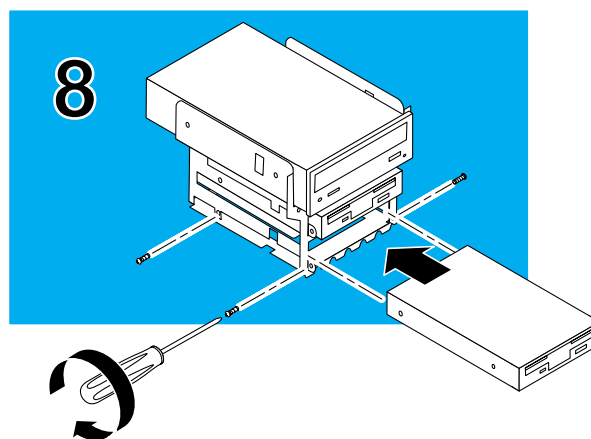
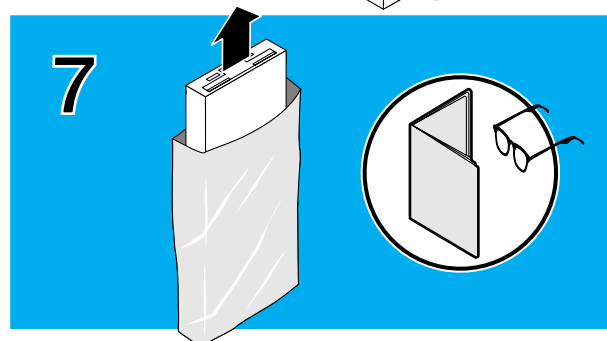
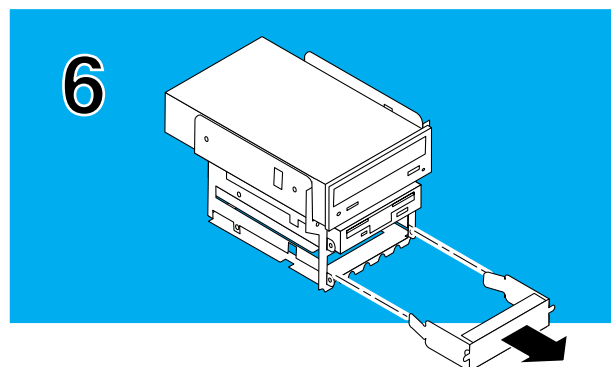
6. Remove the metal filler panel from the drive bracket.
7. Remove the diskette drive or accessory device from the antistatic bag. Read the diskette drive or accessory device product guide for information about jumper switch settings, or any other installation tasks.
8. Use a Phillips screwdriver to attach the diskette drive or accessory device to the bracket using the four screws provided.

Installieren des Diskettenlaufwerks oder Zusatzgeräts

6. Entfernen Sie den Metallplatzhalter aus der Laufwerkshalterung.
7. Nehmen Sie das Diskettenlaufwerk oder Zusatzgerät aus der Antistatikhülle heraus. Das mitgelieferte Produkthandbuch informiert Sie über Jumper-Einstellungen und andere Installationsaufgaben.
8. Befestigen Sie das Diskettenlaufwerk oder Zusatzgerät mit den vier mitgelieferten Schrauben an der Halterung.

Installera diskettenheten eller tillbehörsenheten

6. Ta ut utfyllnadspanelen av metall ur enhetshållaren.
7. Ta ut diskettenheten ur antistatpåsen. I bruksanvisningen för diskettenheten eller tillbehörsenheten kan du läsa mer om inställning av byglar och vippkontakter med mera.
8. Använd en Phillips-mejsel och sätt fast diskett- eller tillbehörsenheten i hållaren med de fyra medföljande skruvarna.



Installing the Diskette Drive or Accessory Device

Note — Steps 9 and 10 only apply to a diskette drive. If you are installing an accessory device, see its product guide for specific installation instructions.

9. Remove the diskette data cable from the kit and connect one end into the drive backplane marked **FLOPPY**. Connect the other end to the diskette drive.
10. Attach the connector labeled **P2** to the drive.
11. Lower the drive or device into the chassis. Tighten the two screws holding the drive bracket to the system.
12. Replace the drive bezel on the front of the system.
13. Detach the wrist strap and close the system unit (≡ **9**).

Installieren des Diskettenlaufwerks oder Zusatzgeräts

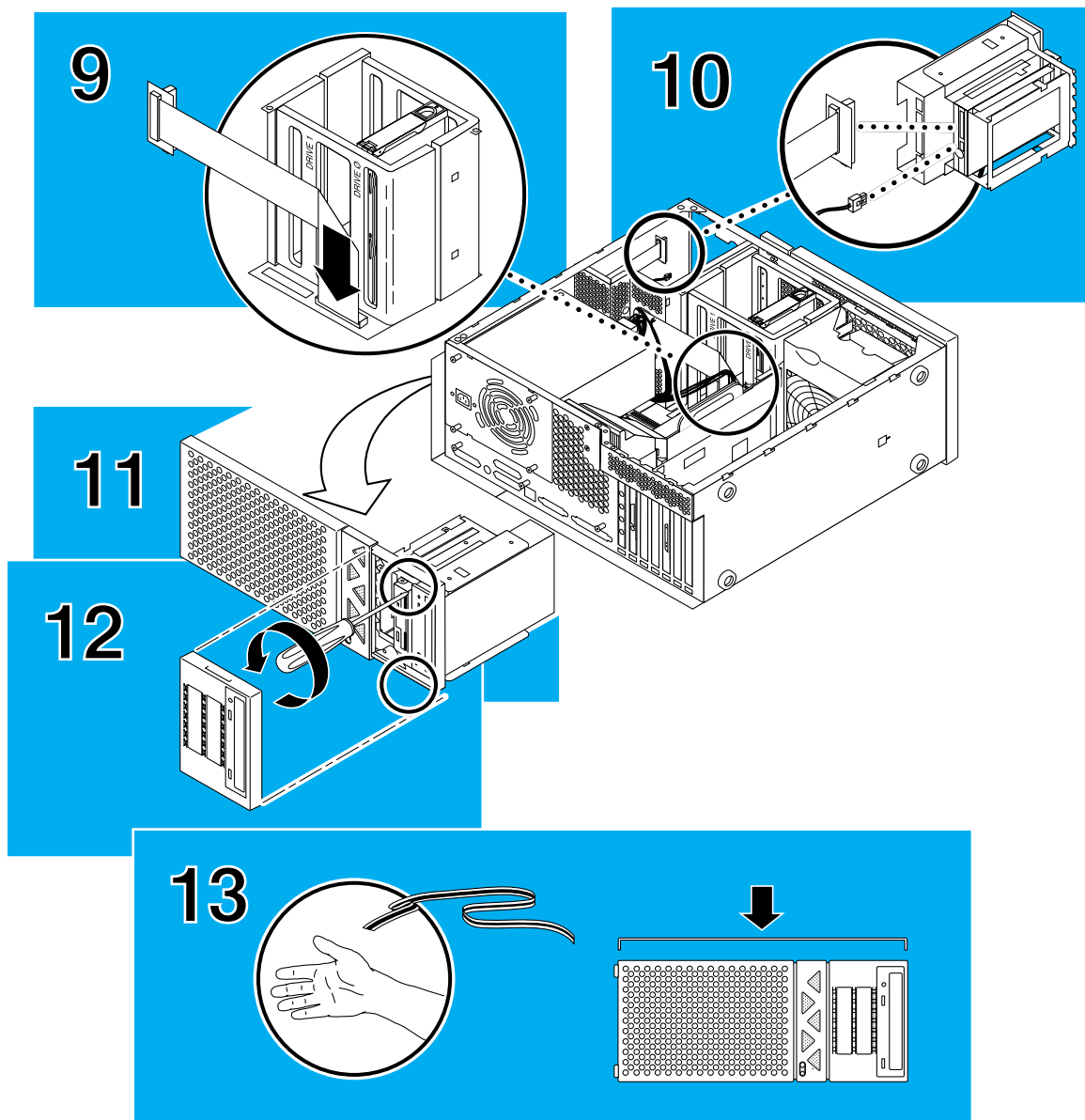
Hinweis – Die Schritte 9 und 10 gelten nur für Diskettenlaufwerke. Falls Sie ein Zusatzgerät installieren, entnehmen Sie die entsprechenden Anweisungen dem mitgelieferten Produkthandbuch.

9. Nehmen Sie das Datenanschlußkabel des Diskettenlaufwerks aus der Verpackung und schließen Sie ein Ende an den mit **FLOPPY** bezeichneten Anschluß an der Rückwand des Laufwerks an.
Schließen Sie das andere Ende an das Diskettenlaufwerk an.
10. Schließen Sie den Stecker **P2** an das Laufwerk an.
11. Setzen Sie das Laufwerk oder Zusatzgerät in das Gehäuse ein und ziehen Sie die zwei Befestigungsschrauben der Laufwerkshalterung fest.
12. Bringen Sie die Laufwerkeinfassung wieder an der Vorderseite an.
13. Entfernen Sie das Erdungsband und schließen Sie die Systemeinheit (≡ **9**).

Installera diskettenheten eller tillbehörsenheten

Observera – Steg 9 och 10 gäller endast diskettenheter. Om du installerar en tillbehörsenhet måste du kontrollera dess installationsanvisningar.

9. Ta fram diskettdatakabeln och anslut en ände i enhetens bakpanel som är markerad med **FLOPPY**. Anslut den andra änden i diskettenheten.
10. Anslut kontakten markerad med **P2** i enheten.
11. Stoppa ner enheten i systemet. Skruva åt de två skruvarna som fäster enhetshållaren i systemenheten.
12. Byt ut enhetshållaren på systemenhetens framsida.
13. Ta av antistatarmbandet och stäng systemenheten (≡ **9**).



Installing the CD-ROM Drive or Tape Drive

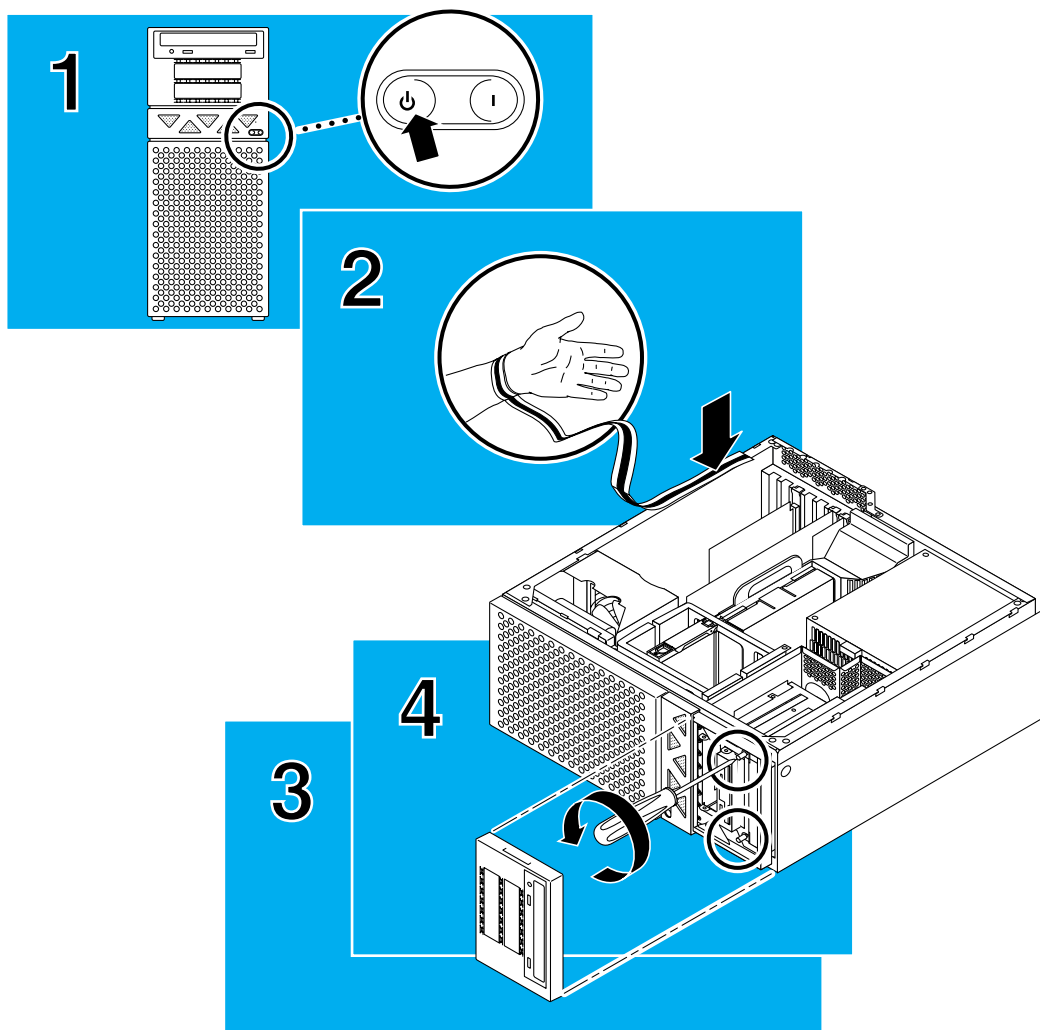
1. Power off the system and open the system unit (≡ 2).
2. Locate the wrist strap, and attach its adhesive copper strip to the chassis back panel. Wrap the other end twice around your wrist, with the adhesive side against your skin.
3. Remove the drive bezel from the front of the system unit.
4. Use a Phillips screwdriver to loosen the two screws holding the drive bracket to the system.

Installieren des CD-ROM- oder Bandlaufwerks

1. Schalten Sie das System aus und öffnen Sie die Systemeinheit (≡ 2).
2. Befestigen Sie das eine Ende des Erdungsbands mit dem klebenden Metallstreifen an der Rückseite des Systemgehäuses. Winden Sie das andere Ende zweimal um Ihr Handgelenk, mit der klebenden Seite nach innen.
3. Entfernen Sie die Laufwerkeinfassung von der Vorderseite der Systemeinheit.
4. Lösen Sie mit einem Kreuzschlitz-Schraubenzieher die beiden Schrauben, mit denen die Laufwerkshalterung befestigt ist.

Installera CD-spelaren eller bandstationen

1. Stäng av systemet och öppna systemenheten (≡ 2)
 2. Sätt på dig antistatarmbandet. Fäst änden med den självhäftande kopparremsan på systemenhetens baksida. Linda den andra änden två gånger runt handleden, med den självhäftande sidan mot huden.
 3. Ta bort enhetshållaren från systemenhetens framsida.
 4. Använd en Phillips-mejsel och lossa de två skruvarna som fäster enhetshållaren i systemenheten.
-



Installing the CD-ROM Drive or Tape Drive

5. Push the power cable away from the drive bracket. Lift the drive bracket out of the system.
6. Remove the metal filler panel from the drive bracket.
7. Remove the drive from the antistatic bag. Read the drive product guide for information about jumper switch settings or any other installation tasks.

Note — SCSI address 6 must be assigned to the internal CD-ROM drive. SCSI address 4 or 5 is customarily assigned to the internal tape drive. Make sure external SCSI devices connected to the onboard SCSI connector do not use the same addresses used for internal SCSI devices.

Installieren des CD-ROM- oder Bandlaufwerks

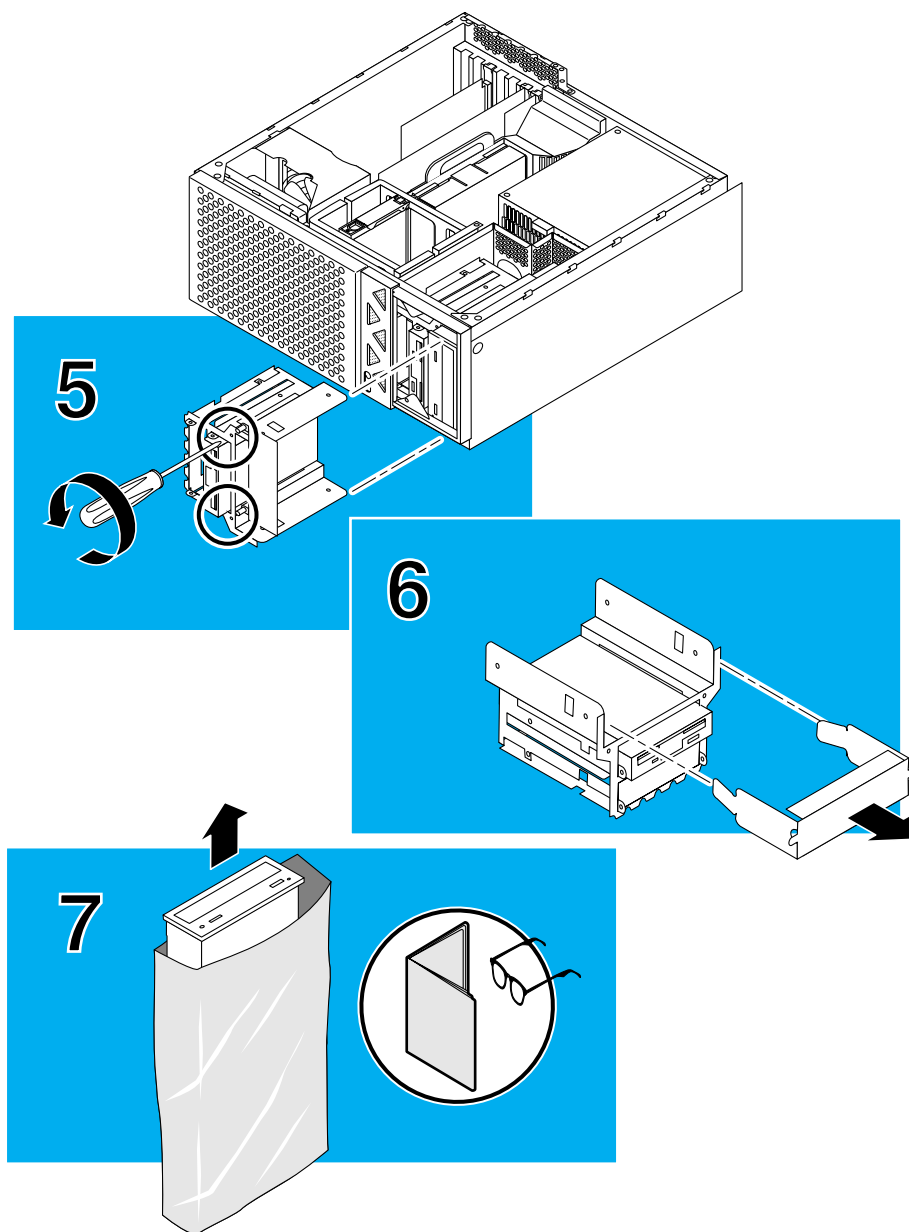
5. Drücken Sie das Netzkabel von der Laufwerkshalterung weg. Heben Sie die Laufwerkshalterung nach oben aus dem System heraus.
6. Entfernen Sie den Metallplatzhalter aus der Laufwerkshalterung.
7. Nehmen Sie das Laufwerk aus der Antistatikhülle heraus. Das mitgelieferte Produkthandbuch informiert Sie über Jumper-Einstellungen und andere Installationsaufgaben.

Hinweis – Die SCSI-Adresse 6 muß dem internen CD-ROM-Laufwerk zugeordnet sein. Einem internen Bandlaufwerk wird gewöhnlich die SCSI-Adresse 4 oder 5 zugeordnet. Stellen Sie sicher, daß externe SCSI-Geräte, die an der SCSI-Steckverbindung der Platine angeschlossen sind, nicht dieselben Adressen verwenden wie interne SCSI-Geräte.

Installera CD-spelaren eller bandstationen

5. Skjut undan nätsladden från enhetshållaren. Lyft ut hållaren ur systemenheten.
6. Ta ut utfyllnadspanelen av metall ur enhetshållaren.
7. Ta ut enheten ur antistatpåsen. I bruksanvisningen för enheten kan du läsa mer om inställning av byglar och vippkontakter med mera.

Observera – Den inbyggda CD-spelaren måste tilldelas SCSI-adress 6. Den inbyggda bandstationen tilldelas som standard SCSI-adress 4 eller 5. Se till att externa SCSI-enheter som är anslutna till den inbyggda SCSI-kontakten inte använder samma adresser som används för de inbyggda SCSI-enheterna.



Installing the CD-ROM Drive or Tape Drive

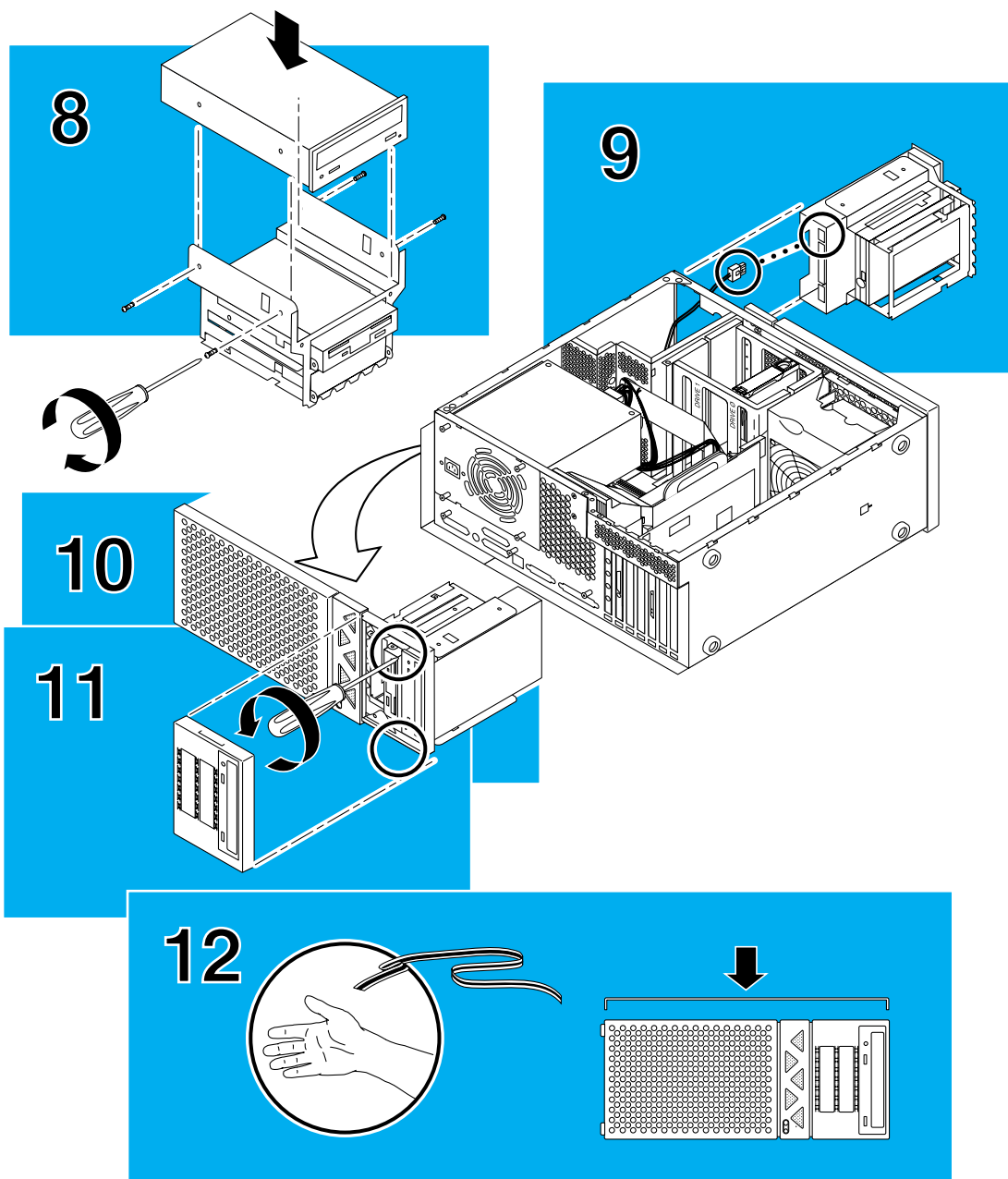
8. Use a Phillips screwdriver to attach the drive to the bracket using the four screws provided.
9. Partially lower the bracket into the chassis and attach the cables to the drive:
 - CD-ROM drive: connectors labeled **CD** and **P3**
 - Tape drive: power cable and data cable
10. Complete lowering the drive bracket into the chassis. Tighten the two screws holding the drive bracket to the system.
11. Replace the drive bezel on the front of the system.
12. Detach the wrist strap and close the system unit (≡ **9**).

Installieren des CD-ROM- oder Bandlaufwerks

8. Befestigen Sie das Laufwerk mit den vier mitgelieferten Schrauben an der Halterung.
9. Führen Sie die Halterung halb in das Gehäuse ein und schließen Sie die Kabel am Laufwerk an:
 - CD-ROM-Laufwerk: Stecker mit der Beschriftung **CD** und **P3**
 - Bandlaufwerk: Netz- und Datenkabel
10. Setzen Sie die Laufwerkshalterung nun ganz in das Gehäuse ein und ziehen Sie die beiden Befestigungsschrauben der Laufwerkshalterung fest.
11. Bringen Sie die Laufwerkeinfassung an der Vorderseite wieder an.
12. Entfernen Sie das Erdungsband und schließen Sie die Systemeinheit (≡ **9**).

Installera CD-spelaren eller bandstationen

8. Använd en Phillips-mejsel och fäst enheten i enhetshållaren med de fyra medföljande skruvarna.
 9. Stoppa delvis ner hållaren i systemenheten och sätt fast sladdarna i enheten:
 - CD-spelaren: kontakterna **CD** och **P3**.
 - Bandstationen: nätsladden och datakabeln.
 10. Stoppa ner hållaren helt och hållet i höljet. Skruva åt de två skruvar som fäster enhetshållaren i systemenheten.
 11. Byt ut enhetsinfattningen på systemets framsida.
 12. Ta av antistatarmbandet och stäng systemenheten (≡ **9**).
-



Installing UPA Graphics Cards or PCI Cards

Note — If you are installing a PCI card, first see (≡ 12).

1. Power off the system and open the system unit (≡ 2).
2. Locate the wrist strap, and attach its adhesive copper strip to the chassis back panel. Wrap the other end twice around your wrist, with the adhesive side against your skin.
3. Remove the filler panel from the back panel of the system chassis.
4. Fit the card back panel into one of the system chassis card slots, and lower the card connector so that it touches its associated card slot on the main logic board.

Installieren von UPA-Grafikkarten oder PCI-Karten

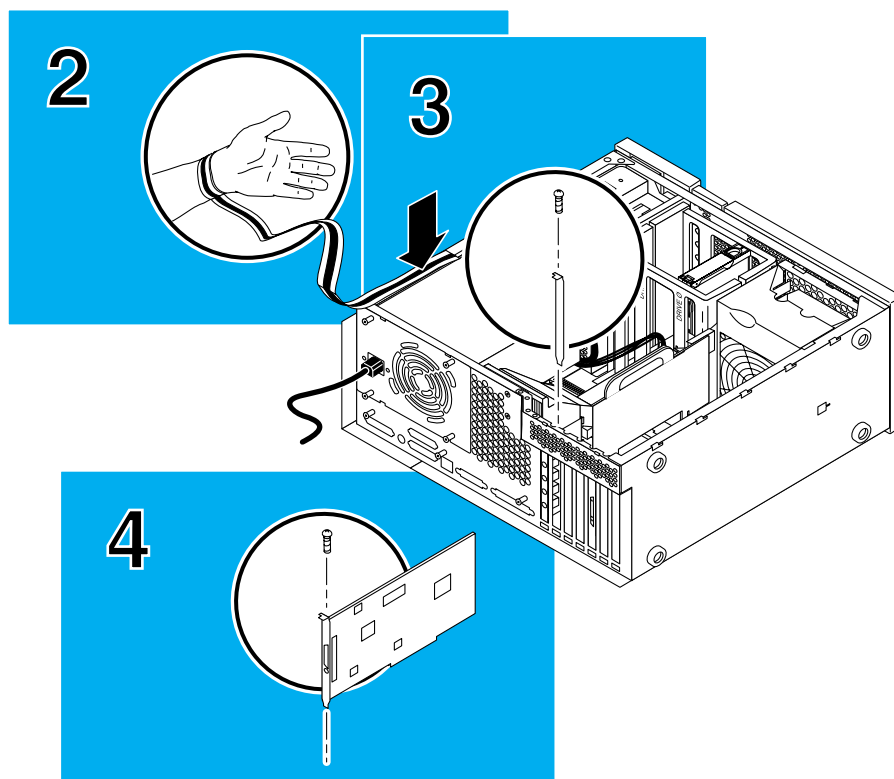
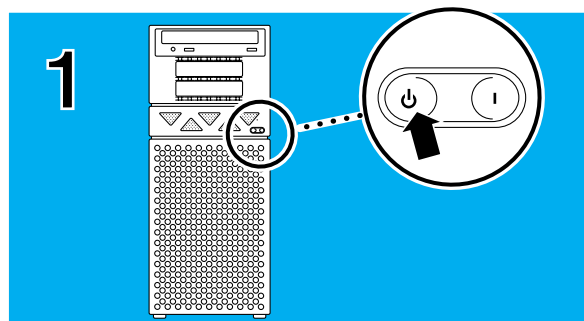
Hinweis – Falls Sie eine PCI-Karte installieren, schlagen Sie bitte zunächst unter (≡ 12) nach.

1. Schalten Sie das System aus und öffnen Sie die Systemeinheit (≡ 2).
2. Befestigen Sie das eine Ende des Erdungsbands mit dem klebenden Metallstreifen an der Rückseite des Systemgehäuses. Winden Sie das andere Ende zweimal um Ihr Handgelenk, mit der klebenden Seite nach innen.
3. Entfernen Sie die Abdeckung auf der Rückseite des Systemgehäuses.
4. Führen Sie die Karte in einen der Kartensteckplätze des Systemgehäuses und senken Sie den Kartenstecker, bis der vorgesehene Kartensteckplatz auf der Hauptplatine berührt wird.

Installera UPA-grafikkort eller PCI-kort

Observera – Om du installerar ett PCI-kort ska du först se (≡ 12).

1. Stäng av systemet och öppna systemenhet (≡ 2)
2. Sätt på dig antistatarmbandet. Fäst änden med den självhäftande kopparremsan på systemenheten. Linda den andra änden två gånger runt handleden, med den självhäftande sidan mot huden.
3. Ta bort utfyllnadspanelen från systemenhetens baksida.
4. Sätt tillbaka kortets bakpanel i en av systemenhetens kortplatser och sänk ner kortkontakten så att den vidrör motsvarande kortplats på systemkortet.



Installing UPA Graphics Cards or PCI Cards

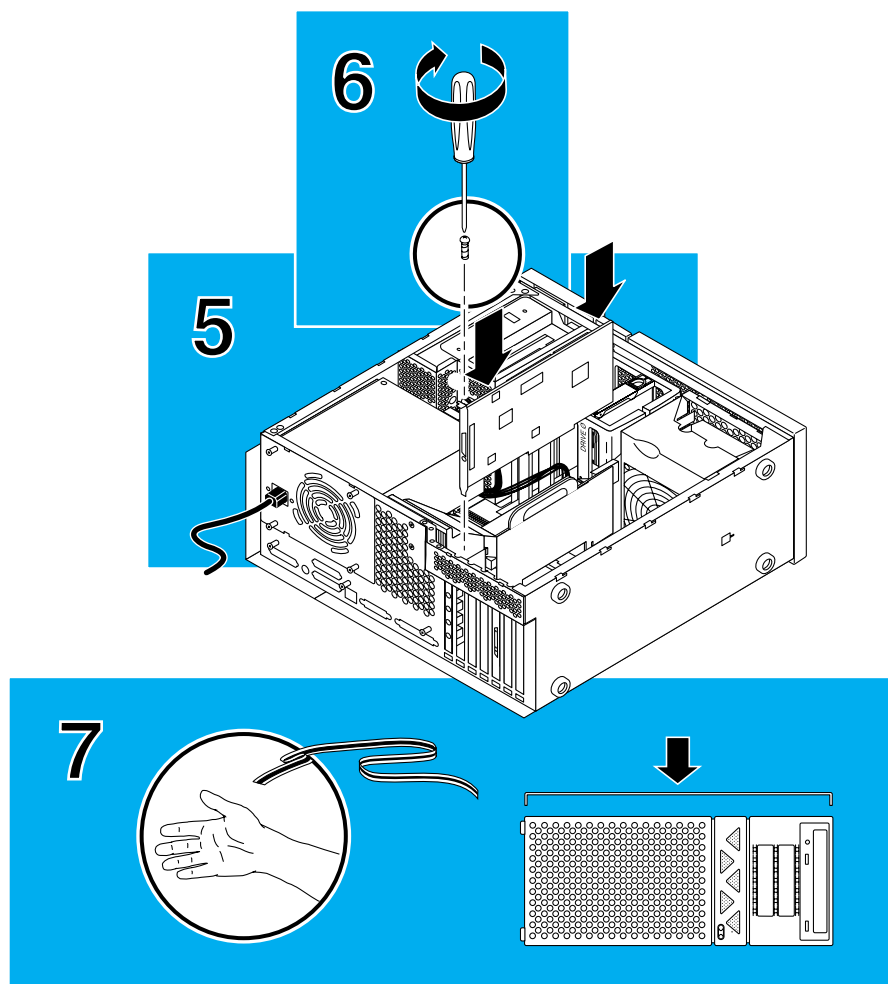
5. Push the card by its corners straight down into the slot until the card is fully seated.
6. Use a magnetized Phillips screwdriver to attach the card bracket tab to the system chassis.
7. Detach the wrist strap and close the system unit (≡ 9).

Installieren von UPA-Grafikkarten oder PCI-Karten

5. Drücken Sie die Karte an den Ecken gerade nach unten in den Steckplatz, bis sie überall gleichmäßig aufsitzt.
6. Bringen Sie die Kartenhalterung mit einem magnetisierten Kreuzschlitz-Schraubenzieher am Systemgehäuse an.
7. Entfernen Sie das Erdungsband und schließen Sie die Systemeinheit (≡ 9).

Installera UPA-grafikkort eller PCI-kort

5. Tryck kortet rakt ner i kortplatsen tills alla hörn sitter fast ordentligt.
 6. Använd en magnetisk Phillips-mejsel och sätt fast korthållarens spärr i systemenheten.
 7. Ta av antistatarmbandet och stäng systemenheten (≡ 9).
-



Closing the System Unit

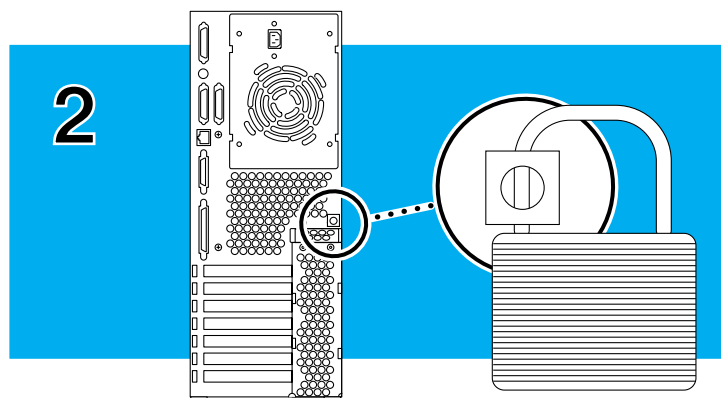
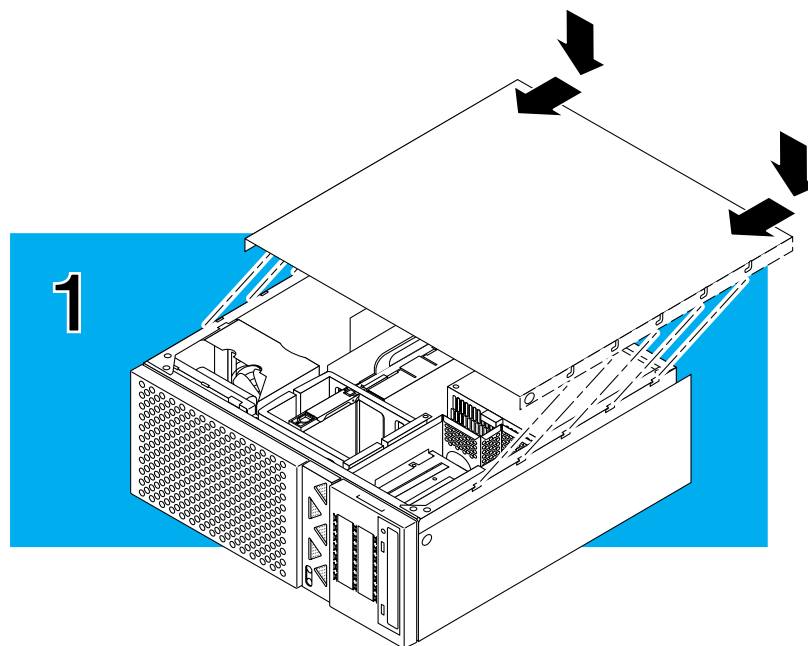
1. Holding the side panel in both hands, guide it so that the hooks align with the channels on the system unit chassis.
2. Install the lock block if necessary.

Schließen der Systemeinheit

1. Fassen Sie die Seitenwand mit beiden Händen und richten Sie sie an den Führungskanälen des Gehäuses aus, bis sie einhakt.
2. Installieren Sie die Blocksperrung, falls erforderlich.

Stänga systemenheten

1. Håll sidopanelen i bägge händerna och måtta in krokarna i skårorna på systemenhetens hölje.
 2. Installera låsblocket vid behov.
-



DIMM Installation Guidelines

- Dual inline memory modules (DIMMs) are installed in pairs.
 - Each pair must be of the same memory size and speed.
 - To boot, the system must have one DIMM pair in mapped slots.
 - DIMMs are mapped in banks of four DIMMs.
 - For best system performance, install each bank with four DIMMs.
- Keep DIMMs in each bank identical in memory size and speed.
 - DIMM sizes of 16-, 32-, 64-, and 128-Megabytes are supported.

Note — See (≡ 11) for additional DIMM installation information.

Hinweise zur DIMM-Installation

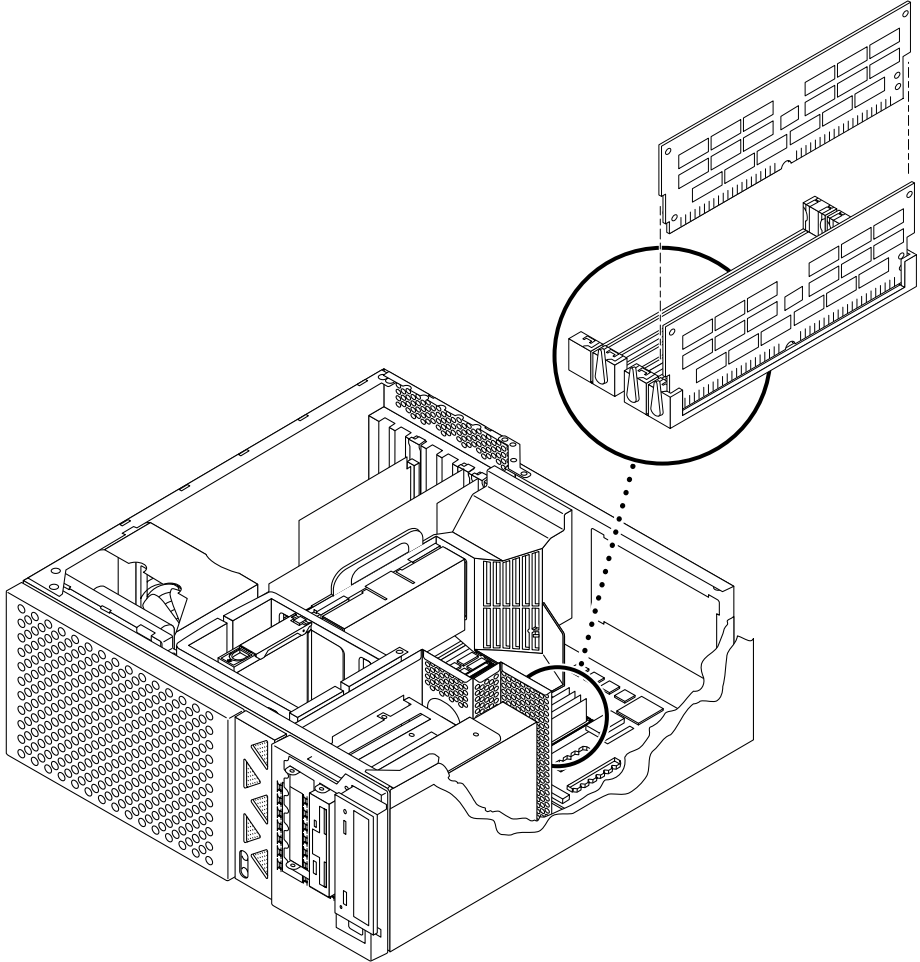
- DIMMs (Dual Inline Memory Modules) werden stets paarweise installiert.
 - Jedes Paar muß dieselbe Speichergröße und -geschwindigkeit aufweisen.
 - Zum Systemstart muß mindestens ein DIMM-Paar in speicherkonformen Steckplätzen vorhanden sein.
 - Die DIMMs sind in Vierergruppen auf den Bänken angeordnet.
 - Die höchste Systemleistung wird erreicht, wenn jeweils komplette Bänke mit vier DIMMs installiert sind.
- Achten Sie darauf, daß in einer Bank nur DIMMs derselben Speichergröße und -geschwindigkeit vorkommen.
 - Unterstützt werden DIMMs der Größen 16, 32, 64 und 128 MB.

Hinweis – Weitere Informationen zur DIMM-Installation finden Sie in Abschnitt ≡ 11.

Installationsanvisningar för DIMM-moduler

- DIMM-moduler (dual inline memory module) installeras parvis.
 - Varje par måste ha samma minneskapacitet och hastighet.
 - Systemet behöver ett DIMM-par i definierade kortplatser för att kunna starta.
 - DIMM-moduler definieras i uppsättningar om fyra moduler.
 - För att systemet ska fungera så bra som möjligt ska du installera varje uppsättning med fyra DIMM-moduler.
- Se till att DIMM-modulerna i varje bank har samma minneskapacitet och hastighet.
 - DIMM-modulerna kan ha storlekarna 16, 32, 64 och 128 Mbyte.

Observera – Se (≡ 11) för fler installationsanvisningar för DIMM.



DIMM Banks and Slot Pairs

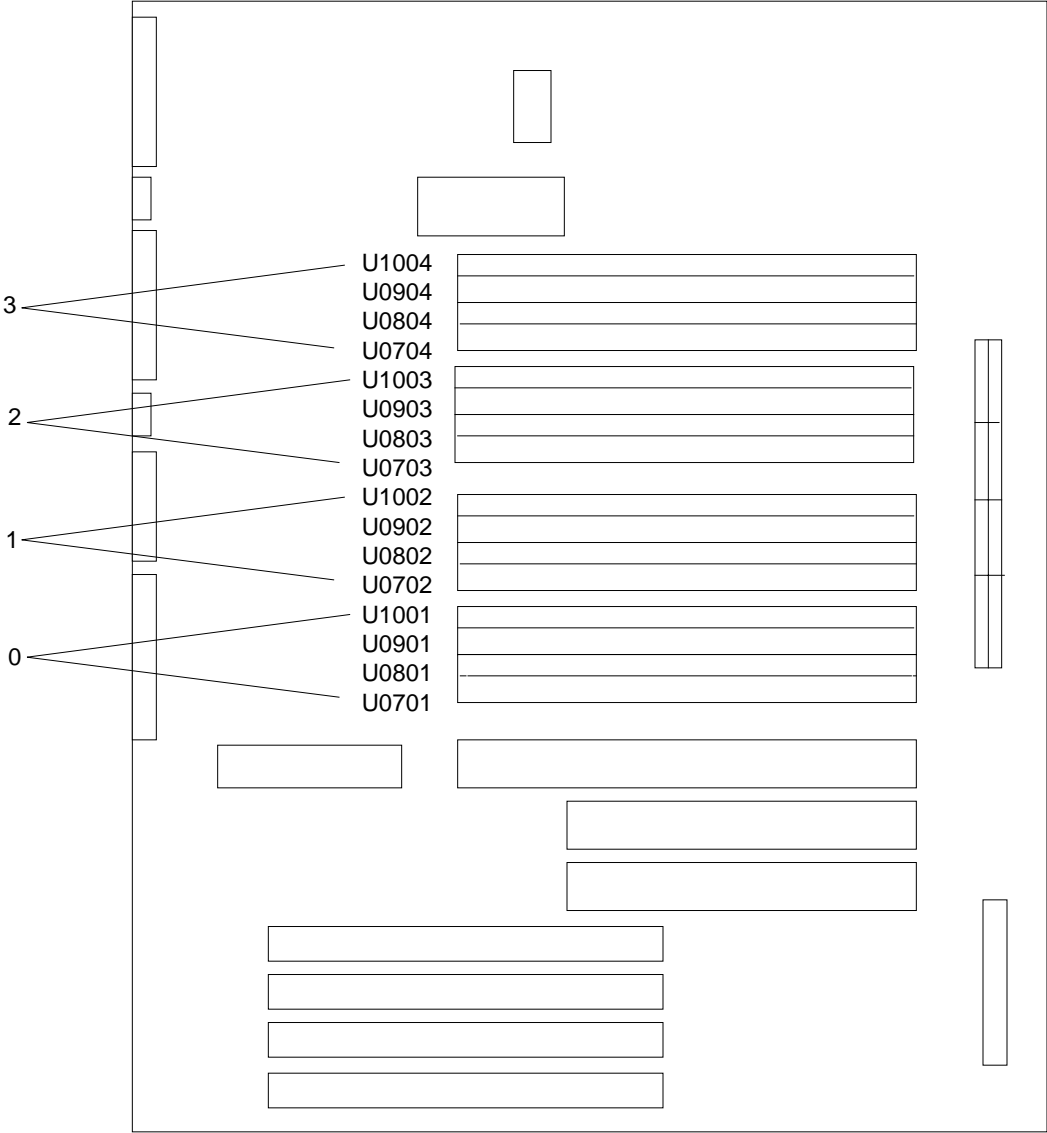
Bank:	Slot Pairs:	Bank:	Slot Pairs:
0	U0701 + U0801	2	U0703 + U0803
0	U0901 + U1001	2	U0903 + U1003
1	U0702 + U0802	3	U0704 + U0804
1	U0902 + U1002	3	U0904 + U1004

DIMM-Bänke und Steckplatzpaare

Bank:	Steckplatzpaar:	Bank:	Steckplatzpaar:
0	U0701 + U0801	2	U0703 + U0803
0	U0901 + U1001	2	U0903 + U1003
1	U0702 + U0802	3	U0704 + U0804
1	U0902 + U1002	3	U0904 + U1004

DIMM-moduluppsättningar och kortplatspar

Uppsättning:	Kortplatspar:	Uppsättning:	Kortplatspar:
0	U0701 + U0801	2	U0703 + U0803
0	U0901 + U1001	2	U0903 + U1003
1	U0702 + U0802	3	U0704 + U0804
1	U0902 + U1002	3	U0904 + U1004



PCI Card Slot Operating Frequencies

PCI Card Slot:	Operating Frequency:	Input/Output Signaling Level:
Slot 1 J1301	33 MHz or 66 MHz	3.3 volts
Slot 2 J1401	33 MHz	5.0 volts
Slot 3 J1501	33 MHz	5.0 volts
Slot 4 J1601	33 MHz	5.0 volts

- All Sun Ultra 30 system PCI card slots operate at 32-bit or 64-bit bus widths.
- Most PCI cards operate at 33 MHz.
- Cards designed to operate at 66 MHz must be installed in PCI card slot 1.

Betriebsfrequenzen der PCI-Karten-Steckplätze

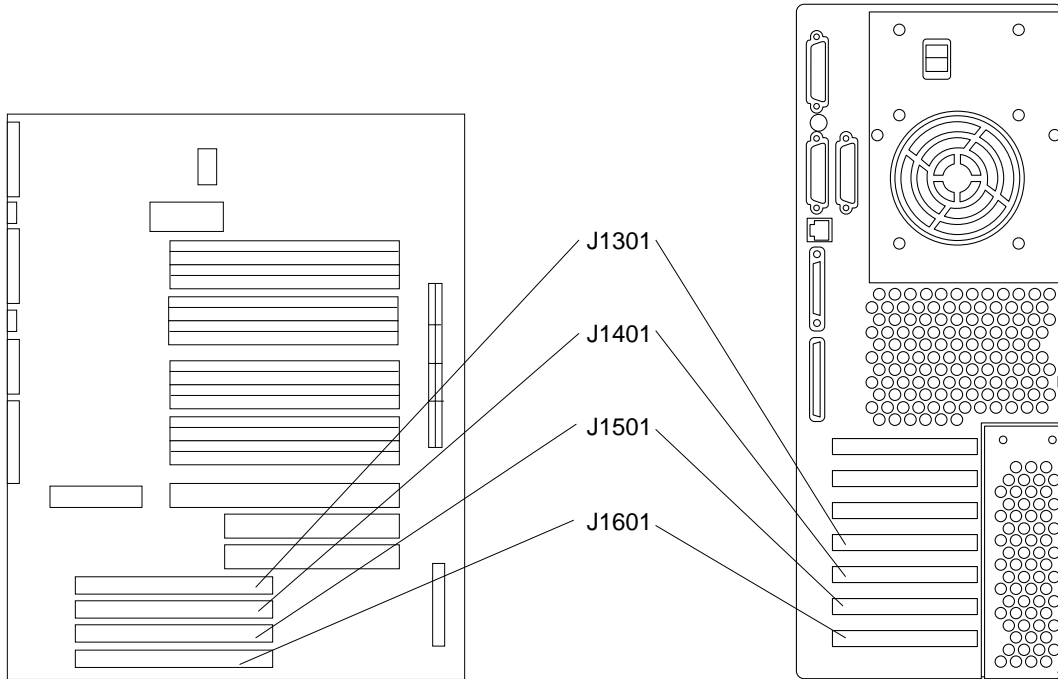
PCI-Karten-Steckplatz:	Betriebsfrequenz:	Eingangs-/Ausgangssignalpegel:
Steckpl. 1 J1301	33 oder 66 MHz	3,3 V
Steckpl. 2 J1401	33 MHz	5,0 V
Steckpl. 3 J1501	33 MHz	5,0 V
Steckpl. 4 J1601	33 MHz	5,0 V

- Alle PCI-Karten-Steckplätze des Sun Ultra 30-Systems arbeiten mit Busbreiten von 32 oder 64 Bit.
- Die meisten PCI-Karten arbeiten mit 33 MHz.
- Karten für den Betrieb mit 66 MHz müssen im PCI-Karten-Steckplatz 1 installiert werden.

Driftsfrekvenser för PCI-kortplatser

PCI-kortplats:	Driftsfrekvens:	Signaleringsnivå på in- och utsignaler:
Plats 1 J1301	33 MHz eller 66 MHz	3,3 volt
Plats 2 J1401	33 MHz	5,0 volt
Plats 3 J1501	33 MHz	5,0 volt
Plats 4 J1601	33 MHz	5,0 volt

- Alla PCI-kortplatser i Sun Ultra 30-system fungerar med 32 eller 64 bitar breda busskort.
- De flesta PCI-kort arbetar med hastigheten 33 MHz.
- Kort utformade för att arbeta med hastigheten 66 MHz måste installeras i PCI-kortplats 1.



What's Next

After you have installed all internal options and made modifications to the system, you are ready to have a system administrator install the Solaris software. Refer to the *SMCC SPARC Hardware Platform Guide*.

After the software is installed (including the *Solaris on Sun Hardware AnswerBook*), install the *Sun Ultra 30 Hardware AnswerBook*.

For more information, refer to:

Sun Ultra 30 Hardware Setup Instructions

Sun Ultra 30 Product Notes

Sun Ultra 30 Hardware AnswerBook Installation

SMCC SPARC Hardware Platform Guide

Solaris Handbook for SMCC Peripherals

Wie es weitergeht

Sobald Sie alle internen Bauteile installiert und alle erforderlichen Änderungen am System vorgenommen haben, können Sie die Solaris-Software von Ihrem Systemverwalter installieren lassen. Weitere Informationen hierzu finden Sie im *Handbuch zur SMCC SPARC-Hardwareplattform*.

Nach Installation der Software (einschließlich des *Solaris on Sun Hardware AnswerBook*) installieren Sie das *Sun Ultra 30 Hardware AnswerBook*.

Weitere Informationen finden Sie in folgenden Handbüchern:

Sun Ultra 30 Hardware Setup Instructions

Sun Ultra 30 Product Notes

Sun Ultra 30 Hardware AnswerBook Installation

Handbuch zur SMCC SPARC-Hardwareplattform

Solaris Handbook for SMCC Peripherals

Gå vidare

När du har installerat alla interna tillägg och gjort ändringar i systemet är du klar att låta systemadministratören installera Solaris. Du kan läsa mer i *Handbok för SPARC-plattformar från SMCC*.

När programmet är installeratw (inklusive *Solaris on Sun Hardware AnswerBook*), kan du installera *Sun Ultra 30 Hardware AnswerBook*

Du kan läsa mer i följande böcker:

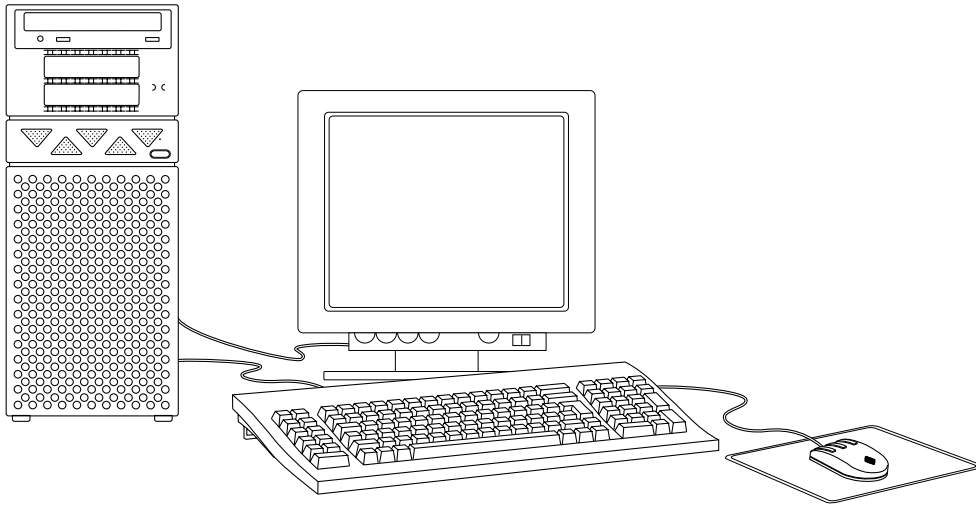
Sun Ultra 30 Hardware Setup Instructions

Sun Ultra 30 Product Notes

Sun Ultra 30 Hardware AnswerBook Installation

Guide de la plate-forme matérielle SPARC SMCC

Solaris Handbook for SMCC Peripherals





Safety Agency Compliance

The following text provides safety precautions to follow when installing a Sun Microsystems, Inc. product.

Safety Precautions

For your protection, observe the following safety precautions when setting up your equipment:

- Follow all warnings and instructions marked on the equipment.
- Ensure that the voltage and frequency of your power source match the voltage and frequency inscribed on the equipment's electrical rating label.
- Never push objects of any kind through openings in the equipment. Dangerous voltages may be present. Conductive foreign objects could produce a short circuit that could cause fire, electric shock, or damage to your equipment.

Symbols

The following symbols appear in this book:



Caution – There is risk of personal injury and equipment damage. Follow the instructions.



Caution – Hot surface. Avoid contact. Surfaces are hot and may cause personal injury if touched.



Warning – Hazardous voltages are present. To reduce the risk of electric shock and danger to personal health, follow the instructions.

Modifications to Equipment

Do not make mechanical or electrical modifications to the equipment. Sun Microsystems, Inc. is not responsible for regulatory compliance of a modified Sun product.

Placement of a Sun Product



Caution – To ensure reliable operation of your Sun product and to protect it from overheating, openings in the equipment must not be blocked or covered. A Sun product should never be placed near a radiator or heat register.

European Ergonomics

In order to conform with the German ZH1/618 ergonomic standard, an antiglare treatment to the CRT has been provided. For text processing applications, a positive mode display (black characters on a white background) is required.

SELV Compliance

Safety status of I/O connections comply with SELV requirements.

Power Cord Connection



Warning – Sun products are designed to work with single-phase power systems having a grounded neutral conductor. To reduce the risk of electric shock, do not plug Sun products into any other type of power system. Contact your facilities manager or a qualified electrician if you are not sure what type of power is supplied to your building.



Warning – Not all power cords have the same current ratings. Household extension cords do not have overload protection and are not meant for use with computer systems. Do not use household extension cords with your Sun product.



Warning – Your Sun product is shipped with a grounding type (three-wire) power cord. To reduce the risk of electric shock, always plug the cord into a grounded power outlet.



Warning – The power switch of this product functions as a standby type device only. The power cord serves as the primary disconnect device for the system. Be sure to plug the power cord into a grounded power outlet that is nearby the system and is readily accessible. Do not connect the power cord when the power supply has been removed from the system chassis.

Lithium Battery



Caution – On Sun CPU boards, there is a lithium battery molded into the real-time clock, SDS No. MK48T59Y, MK48TXXB-XX, MK48T18-XXXPCZ, or M48T59W-XXXPCZ. Batteries are not customer replaceable parts. They may explode if mistreated. Do not dispose of the battery in fire. Do not disassemble it or attempt to recharge it.

System Unit Cover

You must remove the cover of your Sun computer system unit in order to add cards, memory, or internal storage devices. Be sure to replace the top cover before powering up your computer system.



Caution – It is not safe to operate Sun products without the top cover in place. Failure to take this precaution may result in personal injury and system damage.

Einhaltung der Sicherheitsvorschriften

Auf dieser Seite werden Sicherheitsrichtlinien beschrieben, die bei der Installation von Sun-Produkten zu beachten sind.

Sicherheitsvorkehrungen

Treffen Sie zu Ihrem eigenen Schutz die folgenden Sicherheitsvorkehrungen, wenn Sie Ihr Gerät installieren:

- Beachten Sie alle auf den Geräten angebrachten Warnhinweise und Anweisungen.
- Vergewissern Sie sich, daß die Spannung und Frequenz Ihrer Stromquelle mit der Spannung und Frequenz Ihres Geräts übereinstimmen. Sh. hierfür bitte Etikett mit den elektrischen Nennwerten).
- Stecken Sie auf keinen Fall irgendwelche Gegenstände in die Öffnungen der Geräte. Leitfähige Gegenstände könnten aufgrund der möglicherweise vorliegenden gefährlichen Spannungen einen Kurzschluß verursachen, und dadurch einen Brand, Stromschlag oder Geräteschaden herbeiführen.

Symbole

Die Symbole in diesem Handbuch haben folgende Bedeutung:



Achtung – Gefahr von Verletzung und Geräteschaden. Befolgen Sie die Anweisungen.



Achtung – Hohe Temperatur. Nicht berühren, da Verletzungsgefahr durch heiße Oberfläche besteht.



Achtung – Gefährliche Spannungen. Anweisungen befolgen, um Stromschläge und Verletzungen zu vermeiden.

Änderungen an Sun-Geräten

Nehmen Sie keine mechanischen oder elektrischen Änderungen an den Geräten vor. Sun Microsystems, Inc. übernimmt keine Haftung für ein geändertes Sun-Produkt.

Aufstellung von Sun-Geräten



Achtung – Um den zuverlässigen Betrieb Ihres Sun-Geräts zu gewährleisten und es vor Überhitzung zu schützen, dürfen die Öffnungen im Gerät nicht blockiert oder verdeckt werden. Sun-Produkte sollten niemals in der Nähe von Heizkörpern oder Heizluftklappen aufgestellt werden.

Ergonomie-Richtlinien

Um den Anforderungen der in Deutschland geltenden Ergonomie-Richtlinie ZH1/618 zu entsprechen, wurde der Bildschirm entspiegelt. Für Textverarbeitungsanwendungen wird ein positiver Anzeigemodus (schwarze Zeichen auf weißem Hintergrund) empfohlen.

Einhaltung der SELV-Richtlinien

Die Sicherung der I/O-Verbindungen entspricht den Anforderungen der SELV-Spezifikation.

Anschluß des Netzkabels



Vorsicht – Sun-Produkte sind für den Betrieb an Einphasen-Stromnetzen mit geerdetem Nulleiter vorgesehen. Um die Stromschlaggefahr zu reduzieren, schließen Sie Sun-Produkte nicht an andere Stromquellen an. Ihr Betriebsleiter oder ein qualifizierter Elektriker können Ihnen die Daten zur Stromversorgung in Ihrem Gebäude geben.



Vorsicht – Nicht alle Netzkabel haben die gleichen Nennwerte. Herkömmliche, im Haushalt verwendete Verlängerungskabel besitzen keinen Überlastungsschutz und sind daher für Computersysteme nicht geeignet.



Vorsicht – Ihr Sun-Gerät wird mit einem Erdungsnetzkabel (dreiadrig) geliefert. Um die Gefahr eines Stromschlags zu reduzieren, schließen Sie das Kabel nur an eine fachgerecht verlegte, geerdete Steckdose an.



Vorsicht – Der Ein-/Aus-Schalter dieses Geräts schaltet nur in den Bereitschaftsmodus (Stand-By-Modus). Um die Stromzufuhr zum Gerät vollständig zu unterbrechen, müssen Sie das Netzkabel von der Steckdose abziehen. Schließen Sie den Stecker des Netzkabels an eine in der Nähe befindliche, frei zugängliche, geerdete Netzsteckdose an. Schließen Sie das Netzkabel nicht an, wenn das Netzteil aus der Systemeinheit entfernt wurde.

Lithiumbatterie



Achtung – CPU-Karten von Sun verfügen über eine Echtzeituhr mit integrierter Lithiumbatterie (Teile-Nr. MK48T59Y, MK48TXXB-XX, MK48T18-XXXPCZ oder M48T59W-XXXPCZ). Diese Batterie darf nur von einem qualifizierten Servicetechniker ausgewechselt werden, da sie bei falscher Handhabung explodieren kann. Werfen Sie die Batterie nicht ins Feuer. Versuchen Sie auf keinen Fall, die Batterie auszubauen oder wiederaufzuladen.

Gehäuseabdeckung

Sie müssen die obere Abdeckung Ihres Sun-Systems entfernen, um interne Komponenten wie Karten, Speicherchips oder Massenspeicher hinzuzufügen. Bringen Sie die obere Gehäuseabdeckung wieder an, bevor Sie Ihr System einschalten.



Achtung – Bei Betrieb des Systems ohne obere Abdeckung besteht die Gefahr von Stromschlag und Systemschäden.



Säkerhetsföreskrifter

Det här avsnittet innehåller de säkerhetsföreskrifter som du bör iaktta när du installerar produkter från Sun Microsystems.

Regler

För att inte Reglerriskera att skada dig, iaktta följande regler när du installerar utrustningen:

- Följ de varningstexter och instruktioner som finns på utrustningen.
- Kontrollera att nätspänning och -frekvens i eluttag stämmer med den nätspänning och -frekvens som är angiven på utrustningen.
- För aldrig in föremål i någon öppning på utrustningen. Du kan åstadkomma kortslutning med brand, stötar eller skador på utrustningen som följd.

Symboler

Följande symboler används i den här boken:



Varning – Risk för personskada eller för skada på utrustningen. Följ instruktionerna noga.



Fara – Farlig spänning! Följ instruktionerna noga för att minska risken för stötar och personskada.



Varning – Hett föremål! Undvik kontakt. Ytan är het och risk för personskada finns.

Modifiering av utrustningen

Gör inga mekaniska eller elektriska modifieringar av utrustningen. Sun Microsystems tar inget ansvar för modifierad utrustning.

Placering av Sun-utrustning



Varning – För att försäkra dig om att Sun-utrustningen ska fungera säkert ska du se till att den inte blir överhettad. Du får inte blockera eller täcka över öppningarna på utrustningen och inte heller placera den nära element eller andra värmekällor.

Europeisk ergonomi

Bildröret i bildskärmen är antireflexbehandlat för att följa den i hela Europa accepterade tyska ergonomistandarden ZH1/618. För textbehandling ska en bildskärm med positiv skärmbild (svarta bokstäver på vit botten) användas.

SELV-standard

Säkerheten på in- och utgående portar motsvarar de krav som ställs enligt standarden SELV.

Nätsladdar



Fara – Suns produkter är konstruerade för att anslutas till jordade enfasväxelströmsuttag. Anslut aldrig Sun-produkter till någon annan form av uttag, eftersom det kan medföra risk för stötar och personskada. Om du är osäker på vilken typ av uttag du har ska du fråga någon ansvarig person eller en elektriker.



Fara – Alla typer av nätsladdar tål inte lika hög spänning och strömstyrka. Förlängningssladdar för hemmabruk är dessutom ofta inte jordade och är därför inte lämpliga för datorer. Använd inte sådana förlängningssladdar till Sun-produkter.



Fara – Suns produkter levereras med en jordad nätsladd (med tre ledare). Anslut sladden till ett jordat uttag, så minskar du risken att få stötar.



Fara – Strömbrytaren på den här produkten ställer nätdelen i vänteläge. För att bryta strömmen helt måste du dra ut nätsladden ur nätuttaget. Nätuttaget ska därför vara lätt tillgängligt. Anslut aldrig nätsladden när nätdelen har tagits ur systemenheten.

Litiumbatteri



Varning – På systemkortet finns ett litiumbatteri inbyggt i reallidsklockan SDS No. MK48T59Y, MK48TXXB-XX, MK48T18-XXXPCZ eller M48T59W-XXXPCZ. Batterier ska inte bytas av användare. De kan explodera om de hanteras felaktigt. Försök inte ta loss eller ladda batteriet och se till att det inte kommer i kontakt med öppen eld eller hög värme.

Öppna systemenheten

Du måste öppna systemenheten om du ska installera kort, minnesmoduler eller interna minnesenheter. Kontrollera att du har monterat ihop systemenheten rätt innan du slår på strömmen igen.



Varning – Slå aldrig på strömmen till systemenheten när den är öppen – du kan skada systemet eller få stötar.

Caution — Achtung — Varning

Laser Compliance Notice

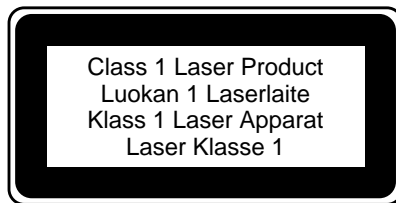
Sun products that use laser technology comply with Class 1 laser requirements.

Einhaltung der Laser-Richtlinien

Sun-Geräte mit Lasertechnik entsprechen den Anforderungen der Laserklasse 1.

Reglering av laseranvändning

De av Suns produkter som använder laserteknologi följer den standard för laser som regleras av Class 1.



CD-ROM



Caution – Use of controls, adjustments or the performance of procedures other than those specified herein may result in hazardous radiation exposure.



Achtung – Bei Verwendung anderer Einstellungen, Regelmechanismen oder Vorgehensweisen als der in diesem Dokument beschriebenen, kann es zur Freisetzung gefährlicher Strahlung kommen.



Varning – Att använda kontroller, göra ändringar eller utföra processer andra än de som specificeras här kan ge risk för hälsovadlig strålning.





© 1997 Sun Microsystems, Inc.

Bretonischer Ring 3, D-85630 Grasbrunn, Tel. 0 89/4 60 08-0

Alle Rechte vorbehalten. Ohne vorherige schriftliche Genehmigung des Urhebers darf diese urheberrechtlich geschützte Dokumentation weder grafisch, elektronisch oder mechanisch und auch nicht auszugsweise reproduziert werden. Nicht gestattet sind damit Fotokopien und die Aufzeichnung auf Band oder einem anderen System der Datenspeicherung.

Teile dieses Produkts können auf den Betriebssystemen UNIX[®] und Berkeley 4.3 BSD basieren, für die Lizenzen der UNIX Systems Laboratories, Inc., einer hundertprozentigen Tochtergesellschaft von Novell, Inc., bzw. der University of California vorliegen. In diesem Produkt verwendete Font-Software von Dritthersteller ist urheberrechtlich geschützt und von Suns Font-Lieferanten lizenziert.

Das in diesem Handbuch beschriebene Produkt kann durch ein oder mehrere US-Patente, ausländische Patente und/oder schwebende Patentanmeldungen geschützt sein.

WARENZEICHEN

Sun, das Sun-Logo, Sun Microsystems, Solaris und SunOS sind Warenzeichen oder eingetragene Warenzeichen von Sun Microsystems, Inc., in den USA und in bestimmten anderen Ländern. UNIX ist ein eingetragenes Warenzeichen von X/Open Company, Ltd., in den USA und in anderen Ländern und wird in Exklusivlizenz verwendet. OPEN LOOK ist ein eingetragenes Warenzeichen von Novell, Inc. PostScript und Display PostScript sind Warenzeichen von Adobe Systems, Inc. Alle weiteren in diesem Dokument erwähnten Produkte sind Warenzeichen des jeweiligen Eigentümers.

Alle SPARC-Warenzeichen, einschließlich des SCD Compliant-Logos, sind Warenzeichen oder eingetragene Warenzeichen von SPARC International, Inc. SPARCstation, SPARCserver, SPARCprinter, SPARCengine, SPARCworks, SPARCcompiler und microSPARC sind Warenzeichen von SPARC International, Inc., für die Sun Microsystems, Inc., die ausschließliche Lizenz besitzt. Produkte, die das SPARC-Warenzeichen tragen, basieren auf einer von Sun Microsystems, Inc., entwickelten Architektur.

SUN ÜBERNIMMT KEINE GEWÄHR FÜR DIE RICHTIGKEIT UND VOLLSTÄNDIGKEIT DES INHALTS DIESER DOKUMENTATION. SOLLTEN SICH TROTZ ALLER ANSTRENGUNGEN FEHLER EINGESCHLICHEN HABEN, SIND WIR FÜR HINWEISE JEDERZEIT DANKBAR.

DIESE PUBLIKATION ENTHÄLT MÖGLICHERWEISE TECHNISCHE UNGENAUIGKEITEN ODER TYPOGRAPHISCHE FEHLER. DIE HIER ENTHALTENEN INFORMATIONEN WERDEN PERIODISCH DURCH ÄNDERUNGEN ERGÄNZT. DIESE ÄNDERUNGEN WERDEN IN NEUE AUSGABEN DER PUBLIKATION AUFGENOMMEN. SUN MICROSYSTEMS, INC., BEHÄLT SICH DAS RECHT VOR, JEDERZEIT VERBESSERUNGEN UND/ ODER ÄNDERUNGEN AN DEM (DEN) IN DIESER PUBLIKATION BESCHRIEBENEN PRODUKT(EN) UND/ODER PROGRAMM(EN) VORZUNEHMEN.

© 1997 Sun Microsystems, Inc.

2550 Garcia Avenue, Mountain View, California 94043-1100 U.S.A.

Alla rättigheter förbehålles. Denna produkt och dokumentation som hör ihop med den är copyright-skyddad. Den distribueras med en licens som reglerar hur den får användas, kopieras, distribueras och omarbetas. Ingen del av denna produkt eller dokumentation som hör ihop med den får utan upphovsmannens skriftliga tillåtelse kopieras på något sätt.

Delar av denna produkt härrör från UNIX[®] och Berkeley 4.3 BSD, för vilka Sun har licenser från UNIX System Laboratories, Inc. (ett helägt dotterbolag till Novell, Inc.) respektive University of California. Teckensnitt från tredjepartsleverantörer som används är copyright-skyddade och används med licens från leverantörerna.

Produkten som beskrivs i den här handboken kan vara skyddad av ett eller flera patent i USA, andra länder eller av patentansökningar.

VARUMÄRKEN

Sun, Suns logotyp, Sun Microsystems, Solaris och SunOS är varumärken eller registrerade varumärken för Sun Microsystems, Inc. i USA och vissa andra länder. UNIX är ett registrerat varumärke i USA och andra länder, exklusivt licensierat via X/Open Company, Ltd. OPEN LOOK är ett registrerat varumärke för Novell, Inc. PostScript och Display PostScript är varumärken för Adobe Systems, Inc. Alla andra produktnamn som nämns i detta dokument är varumärken för sina respektive ägare.

DENNA HANDBOK LEVERERAS I BEFINTLIGT SKICK UTAN NÅGRA SOM HELST GARANTIER. TILL EXEMPEL GARANTERAS INTE ATT DE BESKRIVNA PRODUKTERNA ÄR I SÄLJBART SKICK, ATT DE ÄR LÄMPLIGA FÖR ETT VISST ÄNDAMÅL ELLER ATT DE INTE INKRÄKTAR PÅ ANDRA FÖRETAGS RÄTTIGHETER.

I DENNA HANDBOK KAN DET FÖREKOMMA TEKNISKA FELAKTIGHETER OCH TRYCKFEL. MED JÄMNA MELLANRUM GÖRS ÄNDRINGAR I DEN PRODUKT OCH/ELLER DE PROGRAM SOM BESKRIVS HÄR. KOMMANDE UPPLAGOR AV HANDBOKEN KOMMER ATT INNEHÅLLA INFORMATION OM DESSA ÄNDRINGAR. SUN MICROSYSTEMS, INC. KAN NÄR SOM HELST ÄNDRA PRODUKTEN OCH/ELLER PROGRAMMEN SOM BESKRIVS I DENNA HANDBOK.

RESTRICTED RIGHTS LEGEND: Use, duplication, or disclosure by the United States Government is subject to the restrictions set forth in DFARS 252.227-7013 (c)(1)(ii) and FAR 52.227-19.