

# SPARCstation 4 Model 110 Service Manual

---



THE NETWORK IS THE COMPUTER™

**Sun Microsystems Computer Company**  
**A Sun Microsystems, Inc. Business**  
901 San Antonio Road Palo Alto, CA 94303-4900 USA  
650 960-1300  
fax 650 969-9131

Part No.: 802-6464-10  
Revision A, July 1996

1997 Sun Microsystems, Inc., 901 San Antonio Road, Palo Alto, California 94303-4900 U.S.A.

All rights reserved.

This product or document is protected by copyright and distributed under licenses restricting its use, copying, distribution, and decompilation. No part of this product or document may be reproduced in any form by any means without prior written authorization of Sun and its licensors, if any.

Portions of this product may be derived from the UNIX® system, licensed from Novell, Inc., and from the Berkeley 4.3 BSD system, licensed from the University of California. UNIX is a registered trademark in the United States and in other countries and is exclusively licensed by X/Open Company Ltd. Third-party software, including font technology in this product, is protected by copyright and licensed from Sun's suppliers. RESTRICTED RIGHTS: Use, duplication, or disclosure by the U.S. Government is subject to restrictions of FAR 52.227-14(g)(2)(6/87) and FAR 52.227-19(6/87), or DFAR 252.227-7015(b)(6/95) and DFAR 227.7202-3(a).

Sun, Sun Microsystems, the Sun logo, and Solaris are trademarks or registered trademarks of Sun Microsystems, Inc. in the United States and in other countries. All SPARC trademarks are used under license and are trademarks or registered trademarks of SPARC International, Inc. in the United States and in other countries. Products bearing SPARC trademarks are based upon an architecture developed by Sun Microsystems, Inc.

The OPEN LOOK® and Sun™ Graphical User Interfaces were developed by Sun Microsystems, Inc. for its users and licensees. Sun acknowledges the pioneering efforts of Xerox Corporation in researching and developing the concept of visual or graphical user interfaces for the computer industry. Sun holds a nonexclusive license from Xerox to the Xerox Graphical User Interface, which license also covers Sun's licensees who implement OPEN LOOK GUIs and otherwise comply with Sun's written license agreements.

THIS PUBLICATION IS PROVIDED "AS IS" WITHOUT WARRANTY OF ANY KIND, EITHER EXPRESS OR IMPLIED, INCLUDING, BUT NOT LIMITED TO, THE IMPLIED WARRANTIES OF MERCHANTABILITY, FITNESS FOR A PARTICULAR PURPOSE, OR NON-INFRINGEMENT.

Copyright 1997 Sun Microsystems, Inc., 901 San Antonio Road, Palo Alto, Californie 94303-4900 U.S.A. Tous droits réservés.

Ce produit ou document est protégé par un copyright et distribué avec des licences qui en restreignent l'utilisation, la copie et la décompilation. Aucune partie de ce produit ou de sa documentation associée ne peut être reproduite sous aucune forme, par quelque moyen que ce soit, sans l'autorisation préalable et écrite de Sun et de ses bailleurs de licence, s'il y en a.

Des parties de ce produit pourront être dérivées du système UNIX® licencié par Novell, Inc. et du système Berkeley 4.3 BSD licencié par l'Université de Californie. UNIX est une marque enregistrée aux Etats-Unis et dans d'autres pays, et licenciée exclusivement par X/Open Company Ltd. Le logiciel détenu par des tiers, et qui comprend la technologie relative aux polices de caractères, est protégé par un copyright et licencié par des fournisseurs de Sun.

Sun, Sun Microsystems, le logo Sun, et Solaris sont des marques déposées ou enregistrées de Sun Microsystems, Inc. aux Etats-Unis et dans d'autres pays. Toutes les marques SPARC, utilisées sous licence, sont des marques déposées ou enregistrées de SPARC International, Inc. aux Etats-Unis et dans d'autres pays. Les produits portant les marques SPARC sont basés sur une architecture développée par Sun Microsystems, Inc.

Les utilisateurs d'interfaces graphiques OPEN LOOK® et Sun™ ont été développés de Sun Microsystems, Inc. pour ses utilisateurs et licenciés. Sun reconnaît les efforts de pionniers de Xerox Corporation pour la recherche et le développement du concept des interfaces d'utilisation visuelle ou graphique pour l'industrie de l'informatique. Sun détient une licence non exclusive de Xerox sur l'interface d'utilisation graphique, cette licence couvrant aussi les licenciés de Sun qui mettent en place les utilisateurs d'interfaces graphiques OPEN LOOK et qui en outre se conforment aux licences écrites de Sun.

CETTE PUBLICATION EST FOURNIE "EN L'ETAT" SANS GARANTIE D'AUCUNE SORTE, NI EXPRESSE NI IMPLICITE, Y COMPRIS, ET SANS QUE CETTE LISTE NE SOIT LIMITATIVE, DES GARANTIES CONCERNANT LA VALEUR MARCHANDE, L'APTITUDE DES PRODUITS A REpondre A UNE UTILISATION PARTICULIERE OU LE FAIT QU'ILS NE SOIENT PAS CONTREFAISANTS DE PRODUITS DE TIERS.



Adobe PostScript

# Contents

---

- 1. Product Description 1-1**
  - 1.1 Standard Features 1-1
    - 1.1.1 Subassemblies, Boards, and Components 1-2
    - 1.1.2 Interior View 1-2
    - 1.1.3 Rear View 1-3
  - 1.2 Internal Options 1-4
  - 1.3 External Options 1-5
  
- 2. Troubleshooting Overview 2-1**
  - 2.1 Factory-Defined Boot Mode 2-1
  - 2.2 After Power Is Switched On 2-3
  - 2.3 Diagnostic Tools and When to Use Them 2-7
  - 2.4 Power-On Self-Test 2-7
  - 2.5 FORTH-Based PROM Diagnostics 2-8
  - 2.6 FORTH Monitor 2-10
  - 2.7 SunDiag System Exerciser 2-11
  
- 3. Power-On Self-Test (POST) 3-1**
  - 3.1 Power-On Self-Test (POST) 3-1
  - 3.2 Normal Mode 3-4
  - 3.3 Full Diagnostic Mode 3-4

- 3.4 Abbreviated Diagnostic Mode 3-5
  - 3.4.1 Setting Up a `tip` Connection to Another System 3-5
- 3.5 Tests the POST Runs 3-6
- 3.6 POST Error Messages 3-8
- 3.7 Status Lights (LEDs) and Indicators 3-8
- 4. Troubleshooting Procedures 4-1**
  - 4.1 No Video Output on the System Monitor 4-2
  - 4.2 Power-On Does Not Succeed 4-3
    - 4.2.1 Power Supply Test 4-3
    - 4.2.2 System Board Test 4-5
  - 4.3 Disk Drive Errors 4-6
    - 4.3.1 Verifying the Built-In SCSI Controller 4-6
  - 4.4 Determining Faulty DSIMM Locations 4-7
- 5. Safety and Tools Requirements 5-1**
  - 5.1 Safety Requirements 5-1
  - 5.2 Symbols 5-2
  - 5.3 System Precautions 5-3
  - 5.4 Tools Required 5-3
  - 5.5 Electrostatic Discharge (ESD) Precautions 5-4
- 6. Power On and Off 6-1**
  - 6.1 Powering Off the System 6-1
    - 6.1.1 When the System Is Working Normally 6-1
    - 6.1.2 When the System Does Not Respond Normally 6-2
  - 6.2 Powering On the System 6-4
- 7. Internal Access 7-1**
  - 7.1 Removing the Cover 7-1
  - 7.2 Attaching the Wrist Strap 7-3

- 7.3 Replacing the Cover 7-4
  
- 8. Major Subassemblies 8-1**
  - 8.1 Power Supply 8-1
    - 8.1.1 Removing the Power Supply 8-1
    - 8.1.2 Replacing the Power Supply 8-3
  - 8.2 Speaker/LED Cable 8-5
    - 8.2.1 Removing the Speaker/LED Cable 8-5
    - 8.2.2 Replacing the Speaker/LED Cable 8-6
  - 8.3 Internal Speaker 8-8
    - 8.3.1 Removing the Internal Speaker 8-8
    - 8.3.2 Replacing the Internal Speaker 8-11
  
- 9. Storage Devices 9-1**
  - 9.1 Hard Disk Drive 9-1
    - 9.1.1 Removing the Hard Disk Drive 9-2
    - 9.1.2 Replacing the Hard Disk Drive 9-3
  - 9.2 CD-ROM Drive 9-5
    - 9.2.1 Removing the CD-ROM Drive 9-5
    - 9.2.2 Replacing the CD-ROM Drive 9-6
  - 9.3 Diskette Drive 9-7
    - 9.3.1 Removing the Diskette Drive 9-8
    - 9.3.2 Replacing the Diskette Drive 9-11
  - 9.4 CD-ROM SCSI Cable 9-13
    - 9.4.1 Removing the CD-ROM SCSI Cable 9-13
    - 9.4.2 Replacing the CD-ROM SCSI Cable 9-14
  - 9.5 Peripherals DC Power Harness 9-15
    - 9.5.1 Removing the Peripherals DC Power Harness 9-15
    - 9.5.2 Replacing the Peripherals DC Power Harness 9-15
  - 9.6 Diskette Data Cable 9-16
    - 9.6.1 Removing the Diskette Data Cable 9-16

- 9.6.2 Replacing the Diskette Data Cable 9-17
- 9.7 CD-ROM Audio Cable 9-18
  - 9.7.1 Removing the Audio Cable 9-18
  - 9.7.2 Replacing the Audio Cable 9-20
- 10. System Board Overview 10-1**
  - 10.1 Damage Prevention 10-1
  - 10.2 Handling System Boards and Assemblies 10-1
  - 10.3 System Board Layouts 10-2
  - 10.4 Replaceable System Board Components 10-3
- 11. System Board and Component Replacement 11-1**
  - 11.1 SBus Card 11-1
    - 11.1.1 Removing the SBus Card 11-2
    - 11.1.2 Replacing the SBus Card 11-5
  - 11.2 Audio Module 11-7
    - 11.2.1 Removing the Audio Module 11-8
    - 11.2.2 Replacing the Audio Module 11-11
  - 11.3 DSIMMs 11-16
    - 11.3.1 Removing a DSIMM 11-17
    - 11.3.2 Replacing a DSIMM 11-19
  - 11.4 VSIMM 11-20
    - 11.4.1 Removing the VSIMM 11-20
    - 11.4.2 Replacing the VSIMM 11-22
  - 11.5 System Board 11-24
    - 11.5.1 Removing the System Board 11-24
    - 11.5.2 Replacing the System Board 11-26
    - 11.5.3 Setting Jumpers 11-29
  - 11.6 NVRAM 11-30
    - 11.6.1 Removing the NVRAM Chip 11-30
    - 11.6.2 Replacing the NVRAM Chip 11-31

- 12. Illustrated Parts Breakdown 12-1**
  - 12.1 Illustrations of Selected CRUs 12-1
  - 12.2 Replacement Parts List 12-4
  
- A. System Specifications A-1**
  - A.1 Physical Specifications A-1
  - A.2 Input Power Requirements A-2
  - A.3 Environmental Requirements A-3
  
- B. Input/Output Connectors and Ports B-1**
  - B.1 External SCSI Connector B-1
  - B.2 Parallel Port Connector B-2
  - B.3 Attachment Unit Interface (AUI) Connector B-3
  - B.4 Twisted-Pair Ethernet Connector B-4
  - B.5 Serial Connector Ports A and B B-4
  - B.6 Keyboard/Mouse Connector B-5
  - B.7 Audio Module Ports (Optional) B-6
    - B.7.1 Headphone Connector B-6
    - B.7.2 Audio Line-Out Connector B-7
    - B.7.3 Audio Line-In Connector B-7
    - B.7.4 Microphone Connector B-7
    - B.7.5 Audio Specifications B-8
  - B.8 13W3 Video Connector B-9
  
- C. SCSI Targeting C-1**
  
- D. FORTH Diagnostics D-1**
  - D.1 Running the FORTH Diagnostics D-1
    - D.1.1 test <alias name>, test <device path> D-3
    - D.1.2 test-all D-4
    - D.1.3 watch-clock D-4
    - D.1.4 watch-net, watch-aui, watch-tpe, and watch-net-all D-4

D.1.5 probe-scsi, probe-scsi-all D-7

D.1.6 module-info D-7

D.1.7 test-memory D-8

D.2 Returning to the Old-Style Sunmon Compatibility Mode Prompt D-8

**Glossary Glossary-1**



# Figures

---

- FIGURE 1-1 Basic SPARCstation 4 System 1-2
- FIGURE 1-2 Interior View of SPARCstation 4 System 1-3
- FIGURE 1-3 Rear View of SPARCstation 4 System 1-4
- FIGURE 2-1 Factory-Defined Boot Sequence—POST Phase Settings and Tests 2-2
- FIGURE 2-2 Factory-Defined Boot Sequence—OpenBoot PROM Phase Settings and Tests 2-3
- FIGURE 3-1 Arrangement of Sun Type-5 Keyboard Diagnostic LEDs 3-2
- FIGURE 3-2 Sun Type-4 Keyboard 3-2
- FIGURE 3-3 Sun Compact 1 Keyboard 3-3
- FIGURE 3-4 SPARCstation System Banner 3-4
- FIGURE 3-5 Location of System Power LED 3-8
- FIGURE 4-1 Power Supply Connector 4-4
- FIGURE 4-2 DSIMM Slot Locations 4-8
- FIGURE 7-1 Removing the Rear Panel Cover Screws 7-2
- FIGURE 7-2 Removing the Cover 7-3
- FIGURE 7-3 Grounding the Wrist Strap to the Power Supply 7-4
- FIGURE 7-4 Replacing the Cover 7-5
- FIGURE 7-5 Securing the System Unit Cover 7-6
- FIGURE 8-1 Removing the Power Supply 8-3
- FIGURE 8-2 Connecting the DC Power Harness to the Power Supply 8-4

FIGURE 8-3	Power LED and Speaker/LED Board Cable Connectors	8-6
FIGURE 8-4	Positioning the LED Cable	8-7
FIGURE 8-5	Removing the Speaker Cover	8-9
FIGURE 8-6	Removing the Speaker	8-10
FIGURE 8-7	Speaker Connections	8-11
FIGURE 9-1	Drive Locations	9-2
FIGURE 9-2	Removing the Hard Disk Drive	9-3
FIGURE 9-3	Replacing the Disk Drive	9-4
FIGURE 9-4	Removing the CD-ROM Drive	9-5
FIGURE 9-5	Jumper Settings for the CD-ROM Drive	9-6
FIGURE 9-6	Replacing the CD-ROM Drive	9-7
FIGURE 9-7	Diskette Drive Location	9-8
FIGURE 9-8	Removing the CD-ROM Filler Panel	9-9
FIGURE 9-9	Disengaging the Diskette Drive	9-10
FIGURE 9-10	Removing the Diskette Drive	9-11
FIGURE 9-11	Replacing the Diskette Drive	9-12
FIGURE 9-12	System Board Cable Connections	9-13
FIGURE 9-13	Internal Cable Routing	9-14
FIGURE 9-14	Diskette Data Cable Routing	9-17
FIGURE 9-15	Audio Cable Connector on the CD-ROM Drive	9-18
FIGURE 9-16	Removing the Audio Cable From the Audio Module	9-19
FIGURE 9-17	Disconnecting the System Board Connectors	9-20
FIGURE 9-18	Pressing the Audio Cable Into the Cable Slot	9-21
FIGURE 9-19	Routing the Audio Cable Around the Corner Post	9-22
FIGURE 9-20	Securing the Audio Cable	9-23
FIGURE 9-21	CD-ROM Audio Cable Connector	9-23
FIGURE 9-22	Reconnecting the Main Logic Board Connectors	9-24
FIGURE 10-1	SPARCstation 4 System Board	10-2

FIGURE 11-1	SBus Slot Location	11-1
FIGURE 11-2	Opening the SBus Card Retainers	11-2
FIGURE 11-3	Removing the Extractor Handle From an SBus Card	11-3
FIGURE 11-4	Installing the SBus Card Extractor	11-4
FIGURE 11-5	Removing the SBus Card	11-4
FIGURE 11-6	Inserting the SBus Card	11-6
FIGURE 11-7	Securing the SBus Card	11-7
FIGURE 11-8	Audio Module Connector Location	11-7
FIGURE 11-9	Removing the Audio Cable From the Audio Module	11-8
FIGURE 11-10	Unlocking the Audio Module	11-9
FIGURE 11-11	Removing the Audio Module	11-10
FIGURE 11-12	Inserting the Audio Module Filler Panel	11-11
FIGURE 11-13	Removing the Audio Module Filler Panel	11-12
FIGURE 11-14	Inserting the Audio Module	11-13
FIGURE 11-15	Securing the Audio Module	11-13
FIGURE 11-16	Connecting the CD-ROM Audio Cable	11-14
FIGURE 11-17	Pressing the Audio Cable Into the Cable Slot	11-15
FIGURE 11-18	Routing the Audio Cable Around the Corner Post	11-16
FIGURE 11-19	DSIMM Slot Locations on the System Board	11-18
FIGURE 11-20	Ejecting the DSIMM	11-18
FIGURE 11-21	Orienting the DSIMM	11-19
FIGURE 11-22	Installing the DSIMM	11-20
FIGURE 11-23	VSIMM Slot Location	11-21
FIGURE 11-24	Ejecting the VSIMM	11-22
FIGURE 11-25	Orienting the VSIMM	11-23
FIGURE 11-26	Installing the VSIMM	11-24
FIGURE 11-27	System Board Cable Connections	11-25
FIGURE 11-28	System Board Captive Screws	11-26

FIGURE 11-29	Removing the System Board	11-26
FIGURE 11-30	Installing the System Board	11-27
FIGURE 11-31	System Board Captive Screws	11-28
FIGURE 11-32	Setting the Serial Port Jumpers	11-29
FIGURE 11-33	Locating the NVRAM Chip	11-31
FIGURE 12-1	Selected CRUs—System Unit	12-2
FIGURE 12-2	Standard External Cables	12-3
FIGURE 12-3	Optional External Cable	12-3
FIGURE 12-4	Microphone and Cable	12-4
FIGURE B-1	External SCSI Connector	B-1
FIGURE B-2	Parallel Port Connector	B-2
FIGURE B-3	Attachment Unit Interface (AUI) Connector	B-3
FIGURE B-4	Twisted-Pair Ethernet Connector	B-4
FIGURE B-5	Serial Connector	B-4
FIGURE B-6	Keyboard/Mouse Connector	B-5
FIGURE B-7	Audio Module Connectors	B-6
FIGURE B-8	Headphone Connector	B-6
FIGURE B-9	Audio Line-out Connector	B-7
FIGURE B-10	Audio Line-in Connector	B-7
FIGURE B-11	Microphone Connector	B-7
FIGURE B-12	13W3 Video Connector	B-9

# Tables

---

TABLE 1-1	Internal Options—SPARCstation 4 System	1-4
TABLE 1-2	External Options	1-5
TABLE 2-1	NVRAM Parameters Used During POST and Boot Sequence	2-5
TABLE 2-2	Summary of Autoboot and Diagnostic Switch Parameter Settings	2-6
TABLE 2-3	Diagnostic Tools	2-7
TABLE 2-4	Selected FORTH Diagnostic Tests	2-8
TABLE 3-1	Interpreting the Keyboard Diagnostic LEDs	3-3
TABLE 4-1	Troubleshooting Tips	4-1
TABLE 4-2	Power Supply Connector Pin Assignments	4-4
TABLE 4-3	Troubleshooting Disk Drive Errors	4-6
TABLE 4-4	Physical Memory Address Ranges for SPARCstation 4 System	4-8
TABLE 5-1	Safety Precautions	5-2
TABLE 12-1	Part Number List—Customer-Replaceable Units	12-4
TABLE 12-2	Part Number List—Miscellaneous Items	12-5
TABLE A-1	Physical Specifications—SPARCstation 4 System	A-1
TABLE A-2	Input Power Requirements and Power Dissipation—SPARCstation 4 System	A-2
TABLE A-3	Input Power Requirements and Power Dissipation—SPARCserver 4 System	A-2
TABLE A-4	Environmental Requirements	A-3
TABLE B-1	Pinout Signals for External SCSI Connector	B-1
TABLE B-2	Pinout for Parallel Port Connector	B-2

TABLE B-3	Pinout for Attachment Unit Interface (AUI) Connector	B-3
TABLE B-4	Pinout for Twisted-Pair Ethernet Connector	B-4
TABLE B-5	Pinout for Combined Serial Connector Ports A and B	B-4
TABLE B-6	Pinout for Keyboard/Mouse Connector	B-5
TABLE B-7	Signals for the Audio Module Ports	B-6
TABLE B-8	Audio Module Inputs and Outputs	B-8
TABLE B-9	Internal Monaural Speaker Specifications	B-8
TABLE B-10	13W3 Video Connector Pin Assignments	B-9
TABLE C-1	SCSI Targeting—Solaris 1.x (SunOS 4.x) Operating Systems	C-1
TABLE C-2	SCSI Targeting—Solaris 2.x (SunOS 5.x) Operating Systems	C-2

# Preface

---

This service manual describes how to troubleshoot problems and replace parts in the SPARCstation™ 4 computer system. Technicians, advanced computer system end-users (with experience replacing hardware and troubleshooting), system administrators, or qualified service providers should use this book.

---

## Document Organization

This book is divided into seven parts. A table, at the beginning of each part, lists the chapters, sections, and page numbers.

- Part 1, “System Information,” provides an overview of the standard features, internal options, and external options.
- Part 2, “Troubleshooting,” provides a troubleshooting overview, describes how to run and troubleshoot errors displayed during the Power-On Self-Test (POST), and presents symptoms and corrective actions.
- Part 3, “Preparing for Service,” explains safety requirements, symbols used in this book, tools required, and how to shut down, power off, and power on the system.
- Part 4, “Subassembly Removal and Replacement,” describes how to open and close the system, attach and remove a wrist strap, and remove and replace subassemblies.
- Part 5, “System Board,” provides an overview of the system board, describes how to remove and replace the system board and replaceable parts and components on the system board.
- Part 6, “Illustrated Parts Breakdown,” provides illustrations of the major replaceable parts and lists part numbers.

- Part 7, “Appendixes, Glossary, Index,” provides physical, electrical, and environmental specifications, connector pinouts and signal descriptions, a glossary of technical terms, and an index.

---

## Related Documentation

The following manuals describe software troubleshooting procedures:

- *OpenBoot Command Reference*
- *OpenBoot PROM Toolkit User’s Guide*
- *OpenBoot Quick Reference*
- *SunDiag User’s Guide*
- System administration manual for the computer system
- Operating system documentation

---

## What Typographic Changes Mean

The following table describes the typographic changes used in this book.

TABLE P-1 Typographic Conventions

Typeface or Symbol	Meaning	Example
AaBbCc123	The names of commands, files, and directories; on-screen computer output	Edit your <code>.login</code> file. Use <code>ls -a</code> to list all files. <code>machine_name%</code> You have mail.
<b>AaBbCc123</b>	What you type, contrasted with on-screen computer output	<code>machine_name%</code> <b>su</b> password:
<i>AaBbCc123</i>	Command-line placeholder: replace with a real name or value	To delete a file, type <code>rm filename</code> .
<i>AaBbCc123</i>	Book titles, new words or terms, or words to be emphasized	Read Chapter 6 in <i>User’s Guide</i> . These are called <i>class</i> options. You <i>must</i> be root to do this.



---

# Shell Prompts in Command Examples

The following table shows the default system prompt and superuser prompt for the C shell, Bourne shell, and Korn shell.

**TABLE P-2** Shell Prompts

Shell	Prompt
C shell prompt	machine_name%
C shell superuser prompt	machine_name#
Bourne shell and Korn shell prompt	\$
Bourne shell and Korn shell superuser prompt	#

---

# Ordering Sun Documents

The SunDocs Order Desk is a distribution center for Sun Microsystems technical documents. You can use major credit cards and company purchase orders. You can order documents in the following ways:

**TABLE P-3** Ordering Sun Documents

Country	Telephone	Fax
United States	1-800-873-7869	1-800-944-0661
United Kingdom	0-800-89-88-88	0-800-89-88-87
France	05-90-61-57	05-90-61-58
Belgium	02-720-09-09	02-725-88-5
Luxembourg	32-2-720-09-09	32-2-725-88-5
Germany	01-30-81-61-91	01-30-81-61-92
The Netherlands	06-022-34-45	06-022-34-46
Sweden	020-79-57-26	020-79-57-27

**TABLE P-3** Ordering Sun Documents

---

Switzerland	155-19-26	155-19-27
Japan	0120-33-9096	0120-33-9097

---

World Wide Web: <http://www.sun.com/sunexpress/>

---

---

## Sun Welcomes Your Comments

Please use the Reader Comment Card that accompanies this document. We are interested in improving our documentation and welcome your comments and suggestions.

If a card is not available, you can email or fax your comments to us. Please include the part number of your document in the subject line of your email or fax message.

- Email: [smcc-docs@sun.com](mailto:smcc-docs@sun.com)
- Fax: SMCC Document Feedback  
1-415-786-6443

# Product Description

---

This chapter presents a brief overview of the major components of the SPARCstation 4 system. Please acquaint yourself with the overview before servicing and maintaining the hardware for these products.

- “Standard Features” on page 1
- “Internal Options” on page 4
- “External Options” on page 5

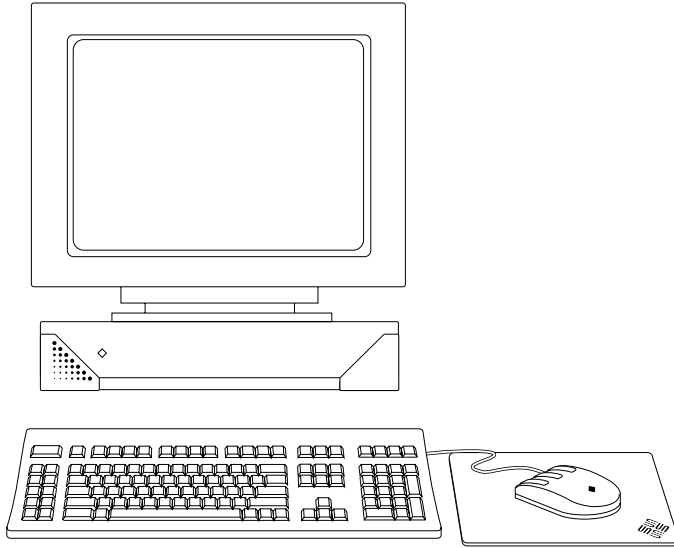
---

## 1.1 Standard Features

The SPARCstation 4 system accommodates the following storage devices:

- 545-Mbyte single-connector hard disk drive
- 1.05-Gbyte single-connector hard disk drive
- Diskette drive
- Internal CD-ROM drive

It also accommodates up to 160 Mbytes of memory using dynamic single in-line memory modules (DSIMMs). Available internal options include an Audio Module and a 1-Mbyte video SIMM (VSIMM).



**FIGURE 1-1** Basic SPARCstation 4 System

## 1.1.1 Subassemblies, Boards, and Components

The SPARCstation 4 system unit accommodates the following subassemblies, boards, and components:

- System board
- DSIMMs (up to 5)
- One VSIMM
- Audio Module card
- One SBus card
- One hard disk drive (3.5-inch, 88.0-mm, single-connector)
- CD-ROM drive
- Diskette drive (3.5-inch)
- Power supply (50- or 150-watt with 2 fans)

## 1.1.2 Interior View

FIGURE 1-2 shows an interior view of the major subassemblies and the system board for the SPARCstation 4 system.

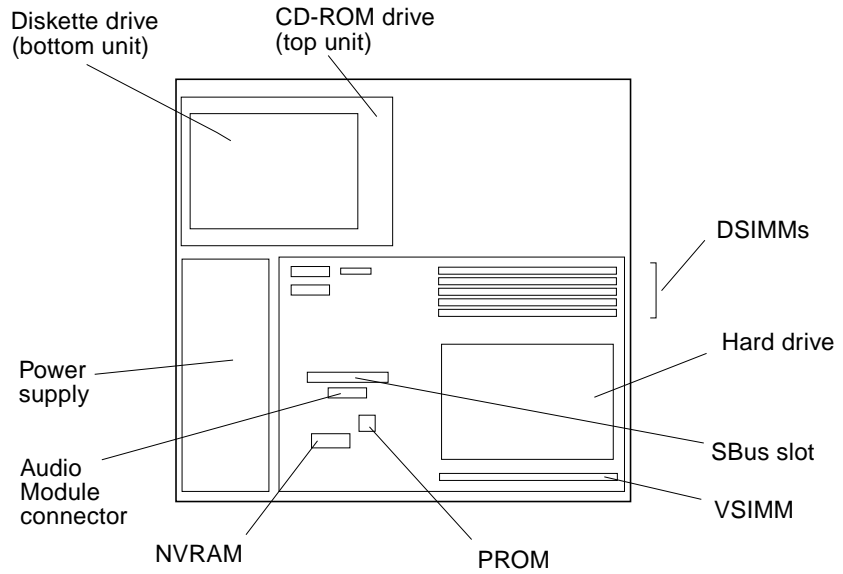


FIGURE 1-2 Interior View of SPARCstation 4 System

### 1.1.3 Rear View

The rear view of the SPARCstation 4 system is shown in FIGURE 1-3.

Legend:

- |                          |                          |                            |
|--------------------------|--------------------------|----------------------------|
| 1 – AC On/Standby switch | 7 – Audio, line in*      | 13 – Video                 |
| 2 – AC power outlet      | 8 – Audio, microphone*   | 14 – Twisted-pair Ethernet |
| 3 – Lock block           | 9 – Parallel             | 15 – AUI Ethernet          |
| 4 – Audio, headphone*    | 10 – AC power receptacle | 16 – SCSI                  |
| 5 – Audio, line out*     | 11 – Keyboard            |                            |
| 6 – SBus                 | 12 – Serial ports A/B    |                            |
- \*Audio ports are part of the optional Audio Module card.

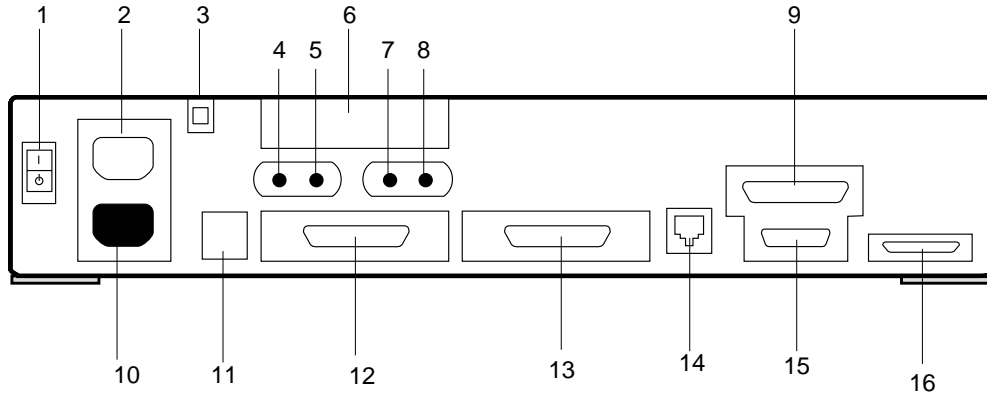


FIGURE 1-3 Rear View of SPARCstation 4 System

## 1.2 Internal Options

TABLE 1-1 lists the internal options for a SPARCstation 4 system.

TABLE 1-1 Internal Options—SPARCstation 4 System

Option	Quantity	Comments
Audio Module	1	System board provides a connection for one Audio Module for recording and playing audio.
SBus card	1	System board provides one SBus slot for additional system functionality.
Hard disk drive	1	System supports one disk drive mounted on the system board. See Chapter 9, for more information.
CD-ROM drive	1	Internal CD-ROM drive.

**TABLE 1-1** Internal Options—SPARCstation 4 System

Option	Quantity	Comments
Diskette drive	1	Internal diskette drive for diskette I/O.
DSIMMs	Up to 5	System supports up to 160 Mbytes of memory.
VSIMM	1	System board provides an expansion slot for a 1-Mbyte VSIMM for high-resolution graphics (1280 X 1024).

## 1.3 External Options

TABLE 1-2 lists selected external small computer system interface (SCSI) options for the SPARCstation 4 system.

**TABLE 1-2** External Options

Unit	Description
Desktop Backup Pack	150-Mbyte tape drive or DAT tape drive.
Desktop Disk Pack	Disk expansion unit with a variety of SCSI disk drive capacities.
Desktop SunCD™ Pack	Compact CD-ROM drive.
Desktop Storage Module	1.3-Gbyte disk drive or 5.0-Gbyte tape drive.
SCSI Expansion Pedestal	Up to seven SCSI disks, compact CD-ROM drive, tape drive, other non-disk units.
Multi-Disk Pack	Desktop enclosure containing a disk array of SCSI disk drives.
20-Gbyte 4-mm Desktop Tape Auto-Loader	Desktop enclosure containing a tape drive with multiple magazine cartridges; provides up to 20 Gbytes of tape backup storage.
SCSI Expansion Pedestal	Holds up to eight disk drives and two or three removable media in the upper tray. Requires a minimum of two SCSI controllers if all three trays are used. You cannot have more than seven SCSI devices on each SCSI bus.





# Troubleshooting Overview

---

This chapter describes the factory-defined boot sequence. It also describes the different types of SPARCstation 4 diagnostic firmware and software tools that are available to you for troubleshooting; the chapter explains how the tools are related and when to use them.

- “Factory-Defined Boot Mode” on page 1
- “After Power Is Switched On” on page 3
- “Diagnostic Tools and When to Use Them” on page 7
- “Power-On Self-Test” on page 7
- “FORTH-Based PROM Diagnostics” on page 8
- “FORTH Monitor” on page 10
- “SunDiag System Exerciser” on page 11

---

## 2.1 Factory-Defined Boot Mode

The flowcharts in FIGURE 2-1 and FIGURE 2-2 outline the various diagnostics during a *factory-defined boot* operation under the control of the OpenBoot™ PROM (OBP) firmware.

The following sections describe the relationship between the various diagnostic tools, and the role each tool plays during the system’s factory-defined boot sequence. The descriptions in the following sections assume you are using a graphics monitor to view test results.

FIGURE 2-1 (POST phase) and FIGURE 2-2 (OBP phase) depict the flow of OBP processing control, after power is switched on. Each figure diagrams the possible paths for processing control, and the switch settings for the factory-defined boot sequence. By examining the two flowcharts you can see where in the processing sequence other diagnostic tests are available or are encountered.

If you need to run extended FORTH Diagnostics to take advantage of more extensive tests, see Appendix D.

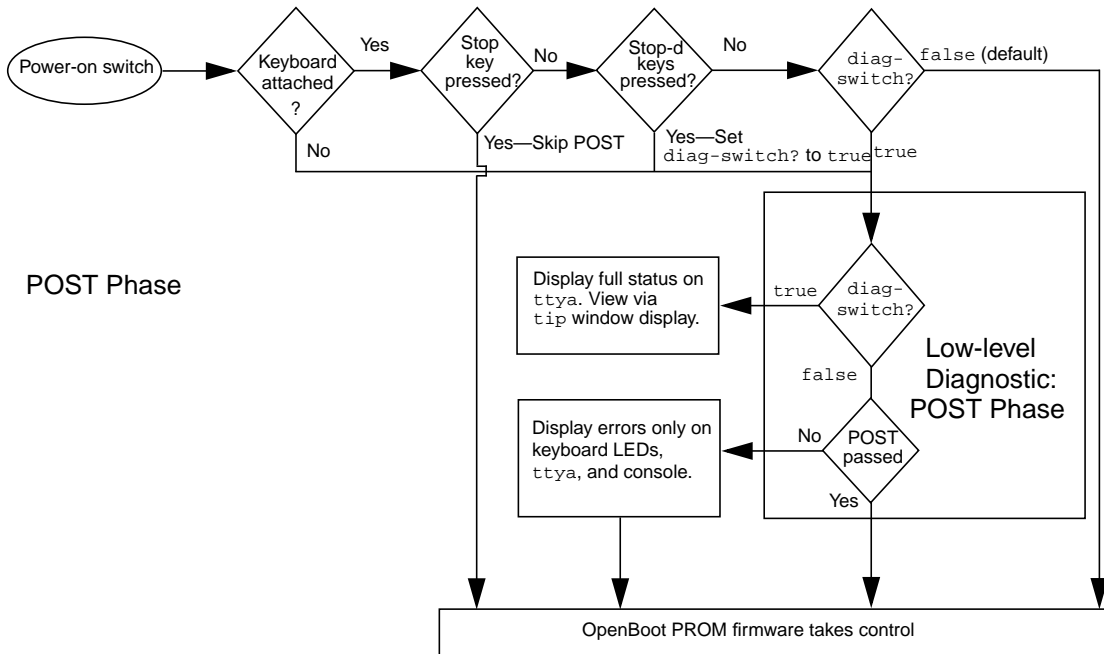


FIGURE 2-1 Factory-Defined Boot Sequence—POST Phase Settings and Tests

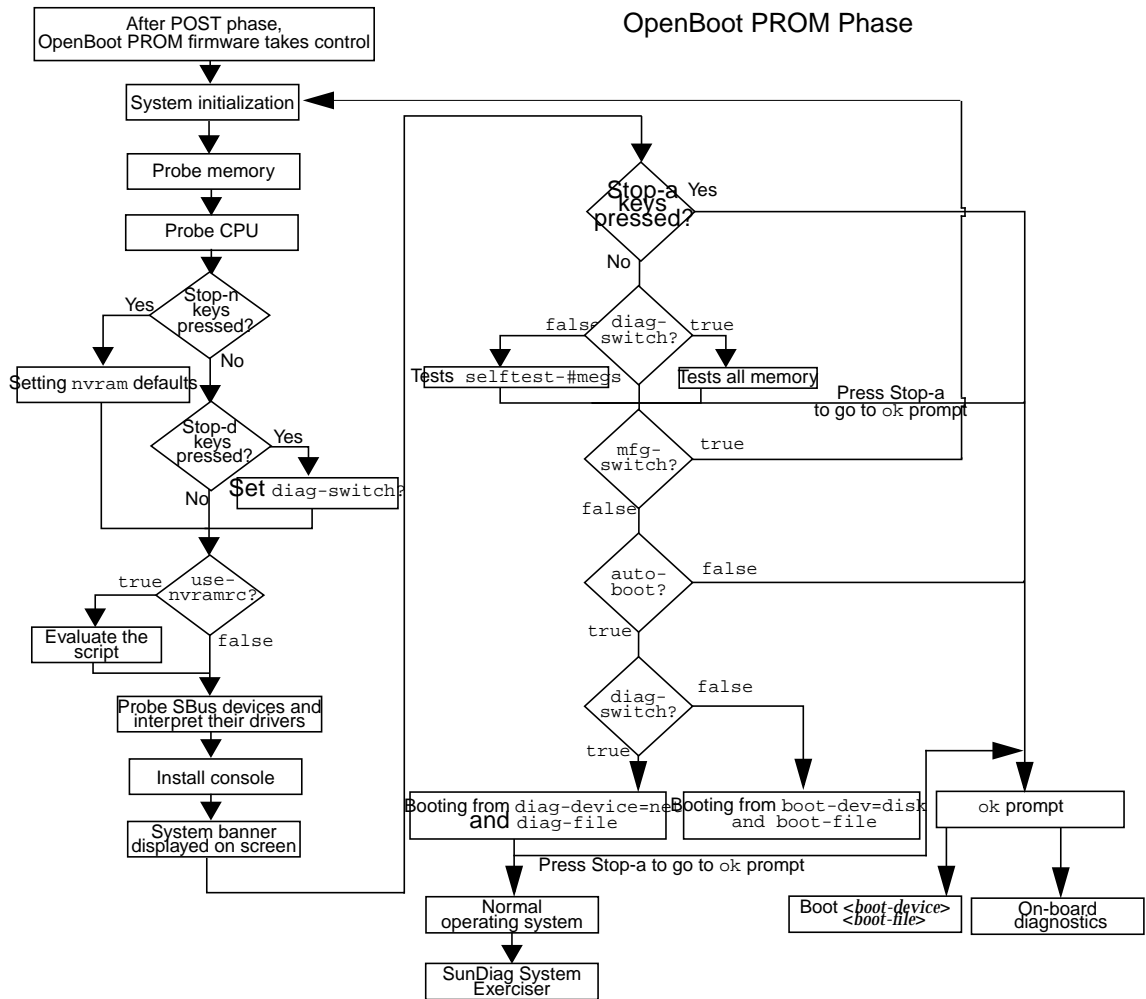


FIGURE 2-2 Factory-Defined Boot Sequence—OpenBoot PROM Phase Settings and Tests

## 2.2 After Power Is Switched On

When you turn on the system power, the low-level POST phase is initiated if any of the following circumstances apply:

- `diag-switch?` NVRAM parameter is set to `true`.
- Stop-d keys are held down when you turn on the power.
- Keyboard is disconnected, and `diag-switch?` is set to `false`.

The low-level POST code, which is stored in the boot PROM, is designed to test the most basic functions of the system hardware. The status of the POST is conveyed by four LEDs on the Sun™ Type-4, Type-5, and Compact 1 keyboards. The Caps Lock LED blinks to indicate that the tests are in progress. If a failure is detected during low-level POST, one of the other three LEDs will light to indicate the nature of the failure. See Chapter 3 for more information.

---

**Note** – You can skip the POST phase by turning on the system while holding down the Stop key.

---

At the successful completion of the low-level POST phase, the OpenBoot PROM firmware takes control and performs the following initialization sequence:

- Initialize system
- Probe memory, then CPU
- Evaluate Script (if `use-nvramrc?` is set to `true`)
- Probe SBus devices and interpret their drivers
- Install the console (see FIGURE 2-2)

After initialization, a system banner appears on the screen, and the high-level testing begins. When the high-level tests are finished, the system checks parameters stored in the NVRAM to determine the next step. Depending on the following parameter settings, the system will:

- Boot the operating system from a specified location, if `auto-boot?` is set to `true`
- Suppress the boot sequence and enter the FORTH Monitor (`ok` prompt), if `auto-boot?` is set to `false`
- Continually cycle through the OpenBoot PROM sequence, if `mfg-switch?` is set to `true`

---

**Note** – If you are in the Sunmon compatibility mode (prompt is `>`) type `n` to return to the OBP monitor (prompt is `ok`).

---

TABLE 2-1 lists NVRAM parameters and explains their effect on the power-up sequence. For more detailed information about NVRAM parameters, see the *OpenBoot Command Reference*.

---

**Note** – At any point during the high-level OBP execution, you can abort the OBP sequence and access the FORTH Monitor by pressing the Stop and “a” keys simultaneously.

---

**TABLE 2-1** NVRAM Parameters Used During POST and Boot Sequence

NVRAM Parameter	Description
selftest-#megs Default = 1	This parameter determines how many megabytes of memory to test during high-level OBP testing if <code>diag-switch?</code> is concurrently set to <code>false</code> . The minimum is zero; the maximum is the amount actually installed in the system. The default is a 1-megabyte test.
diag-switch? Default = false	When set to true, this parameter forces the system to test automatically all available memory. It also enables diagnostic message output to serial port A. If a properly configured terminal or “tip window” is connected, diagnostic progress can be monitored through serial port A. When <code>auto-boot?</code> is set to true and <code>diag-switch?</code> is set to false, <code>diag-switch?</code> forces the system to boot from the device and file specified in <code>boot-dev</code> and <code>boot-file</code> .
auto-boot? Default = true	If <code>auto-boot?</code> is set to true and <code>diag-switch?</code> is set to true, the system boots the operating system from the device and file specified in the <code>diag-device</code> and <code>diag-file</code> NVRAM parameter fields. When set to false, this will suppress the boot sequence. The system halts with the ok prompt.

At the FORTH Monitor prompt, you can direct the system to boot the operating system from a location that you specify, or you can execute a variety of additional FORTH-based tests. See the *OpenBoot Command Reference* for a complete description of the FORTH Monitor.

If the `auto-boot?` parameter is set to `true` (the default), the system boots a standalone program. To determine which program and device to boot from, the system checks the `diag-switch?` NVRAM parameter. TABLE 2-2 summarizes the effect of the `auto-boot?` and `diag-switch?` parameters.

**TABLE 2-2** Summary of Autoboot and Diagnostic Switch Parameter<sup>1</sup> Settings

<code>auto-boot?</code>	<code>diag-switch?</code>	Result
<code>false</code>	<code>false</code> or <code>true</code>	> or <code>ok</code> prompt
<code>true</code>	<code>false</code>	Boot operating system from device alias “disk” or “net”
<code>true</code>	<code>true</code>	Boot operating system from device alias “net”

1. The boot parameters represented here are default settings. The defaults may be changed by following the procedures listed in the *OpenBoot Command Reference*.

Once the operating system is running, you can invoke the SunDiag™ System Exerciser if further diagnostic testing is warranted. Refer to Section 2.7 “SunDiag System Exerciser” on page 2-11, for additional information.

To boot user-specified programs, you must be at the > prompt or `ok` prompt. See Appendix D for a detailed procedure on how to access the > or the `ok` prompt.

---

## 2.3 Diagnostic Tools and When to Use Them

TABLE 2-3 provides a summary of the available diagnostic tools and describes when to use each tool.

TABLE 2-3 Diagnostic Tools

Diagnostic Tool	When or Why to Use the Tool
Power-On Self-Test (POST)	Executes automatically at power-on when Stop-d keys are pressed or when the <code>diag-switch?</code> parameter is set to <code>true</code> . The POST code resides in the boot PROM and is driven by the POK signal from the power supply. POST tells you if there is a problem with the system board, the NVRAM, or the DSIMMs. See Section 3.1 “Power-On Self-Test (POST)” on page 3-1.
FORTH Diagnostics	Tests functions such as the Ethernet and SCSI interfaces, system memory, and the diskette drive controller. You must be at the <code>ok</code> prompt (the FORTH Monitor) to run the FORTH Diagnostics. The FORTH Diagnostics reside in the boot PROM.
FORTH Monitor	Allows input to the system at the boot PROM level. Supports functions such as changing NVRAM parameters, resetting the system, running diagnostic tests, displaying system information, and redirecting input and output. See the <i>OpenBoot Command Reference</i> for more information.
SunDiag System Exerciser	Runs under the operating system. It displays real-time use of the system resources and peripherals. The SunDiag System Exerciser tells you if your system is functioning correctly. If SunDiag fails, run the Power-On Self-Test. If all Power-On Self-Tests pass, then run the SunDiagnostic Executive to identify the problem. See the <i>SunDiag User's Guide</i> for more information.

---

## 2.4 Power-On Self-Test

For information about the POST, see Chapter 3.

---

## 2.5 FORTH-Based PROM Diagnostics

For information about how to run the FORTH Diagnostics, see Appendix D. TABLE 2-4 lists specific on-board diagnostic tests for your system.

TABLE 2-4 Selected FORTH Diagnostic Tests

Type of Test	Description	Preparation	When to Use
test screen	Tests the system video graphics hardware and monitor.	The <code>diag-switch?</code> NVRAM parameter must be set to <code>true</code> .	See description.
test floppy	Tests the floppy drive response to commands.	Insert a formatted diskette into the drive.	See description.
test scsi	Tests the SCSI interface logic on the system board.	The <code>diag-switch?</code> NVRAM parameter must be set to <code>true</code> .	See description.
test cdrom	Performs a self-test diagnostic on the CD-ROM drive.	The CD-ROM must be set to SCSI target 6 and have a CD inserted in the drive or the test will fail.	See description.
test net-aur	Performs an internal and an external loopback test on the AUI (Thick) Ethernet interface.	A cable must be connected to the system AUI Ethernet port and to an Ethernet tap or the test will fail the external loopback phase.	See description.
test net-tpe	Performs an internal and an external loopback test on the twisted-pair Ethernet (TPE) interface.	A cable must be connected to the system TPE port and to a TPE hub or the test will fail the external loopback phase. If the <code>tpe-link-test?</code> parameter is <code>false</code> (disabled), the external loopback test will appear to pass even if a cable is not connected.	See description.
test net	Performs an internal and an external loopback test on the auto-selected system Ethernet interface.	A cable must be attached to the system and to an Ethernet tap or hub or the external loopback test will fail.	See description.



**TABLE 2-4** Selected FORTH Diagnostic Tests (Continued)

Type of Test	Description	Preparation	When to Use
test disk test disk0 test disk1 test disk2 test disk3	Tests internal or external SCSI disks that have a self-diagnostic program contained in the drive controller ( <code>disk0</code> = SCSI address 0, <code>disk1</code> = SCSI address 1, <code>disk2</code> = SCSI address 2, <code>disk</code> and <code>disk3</code> = SCSI address 3).	The drive must be spinning before this test is executed or the test will fail. Enter a <code>boot &lt;disk alias&gt;</code> command to cause the drive to spin up.	Disk drive does not function properly.
test tape test tape0 test tape1	Tests the SCSI tape drive by executing the drive self-test program. <code>tape</code> and <code>tape 0</code> are the first tape drive. <code>tape 1</code> is the second tape drive.	Connect the tape drive to the system and then turn on the power.	See description.
test ttya test ttyb	Outputs an alphanumeric test pattern on the system serial ports ( <code>ttya</code> = serial port A, <code>ttyb</code> = serial port B).	Attach a terminal to the serial port to observe the output.	Tests serial ports.
test keyboard	Executes the keyboard self-test. The four LEDs on the keyboard should flash on once, and the message <code>Keyboard Present</code> is displayed.	Keyboard must be connected.	See description.
test-memory	Tests all of the system main memory if the <code>diag-switch?</code> is true. If <code>diag-switch?</code> is set to false, it tests the memory according to the number specified in <code>selftest-#megs</code> .	None.	See description.
test-all	Tests all devices in the system (such as SBus cards) that have a built-in test program. Hard disks, tapes, and CD-ROMs are not tested.	Set the <code>diag-switch?</code> NVRAM parameter to true.	When a device driven by an SBus card is not functioning properly.
watch-clock	Displays seconds from the system's Time-of-Day chip.	None.	See description.
watch-net	Monitors broadcast Ethernet packets on the Ethernet cable(s) connected to the system.	Connect the system to the network via the desired Ethernet port.	See description.
watch-aui	Monitors broadcast Ethernet packets (10BASE5—Thicknet) on the Ethernet cable(s) connected to the system.	Connect the system to the network via the desired Ethernet port.	See description.

**TABLE 2-4** Selected FORTH Diagnostic Tests (Continued)

Type of Test	Description	Preparation	When to Use
<code>watch-tpe</code>	Monitors broadcast Ethernet packets (10BASE-T—Twisted Pair Ethernet) on the Ethernet cable(s) connected to the system.	Connect the system to the network via the desired Ethernet port.	See description.
<code>watch-net-all</code>	Monitors broadcast Ethernet packets on all Ethernet interfaces installed in the system, one at a time.	Connect the system to the network via the desired Ethernet port.	When an SBus card network controller card is installed.
<code>probe-scsi</code>	Returns the SCSI devices (internal and external) and their SCSI targets connected to the built-in SCSI port.	Connect external SCSI devices to the system and turn on their power.	To determine if a SCSI peripheral is talking to the system. To determine the SCSI targets (addresses) of a SCSI device. To determine if more than one SCSI peripheral is assigned the same SCSI address. To determine if the built-in SCSI controller is defective.
<code>probe-scsi-all</code>	Returns to the display the SCSI devices and their SCSI targets connected to all SCSI ports (both the built-in SCSI port and any additional SCSI host adapter cards).	Connect external SCSI devices to the system and turn on their power.	See <code>probe-scsi</code> . To determine if a SCSI host adapter controller is defective.
<code>power-off</code>	Powers off the system.	You must have a Sun Type-5 keyboard in order to use this command.	To power off the system with a Sun Type-5 keyboard.

## 2.6 FORTH Monitor

The FORTH Monitor is a basic diagnostic utility and system interface. If there is any problem with your operating system, the FORTH Monitor automatically starts, as indicated by the appearance of the `ok` prompt (the Monitor also starts if `auto-boot?` is set to `false`).

You can also choose to access the FORTH Monitor by halting the system. For information about how to access the FORTH Monitor, see Appendix D. For extensive information about tests you can run from the FORTH Monitor, see *OpenBoot Command Reference*.

---

## 2.7 SunDiag System Exerciser

Use the SunDiag System Exerciser to determine real-time use of system resources and peripheral equipment, such as Desktop Storage Modules and External Storage Modules. The SunDiag System Exerciser verifies that the system is functioning properly. For information about how to use the SunDiag System Exerciser, see the *SunDiag User's Guide*.

If SunDiag passes, the system is operating properly. If SunDiag fails, the error messages should indicate the part of the system that has failed. If the error messages are not descriptive enough, you may need to run POST or the SunDiagnostic Executive.



## Power-On Self-Test (POST)

---

This chapter describes the Power-On Self-Test (POST) for Normal, Full, and Abbreviated modes, available with your SPARCstation 4 system.

- “Power-On Self-Test (POST)” on page 1
- “Normal Mode” on page 4
- “Full Diagnostic Mode” on page 4
- “Abbreviated Diagnostic Mode” on page 5
- “Tests the POST Runs” on page 6
- “POST Error Messages” on page 8
- “Status Lights (LEDs) and Indicators” on page 8

The Power-On Self-Test (POST) diagnostics reside in the OpenBoot PROM located on the system board. There are two POST modes: Normal and Diagnostic.

---

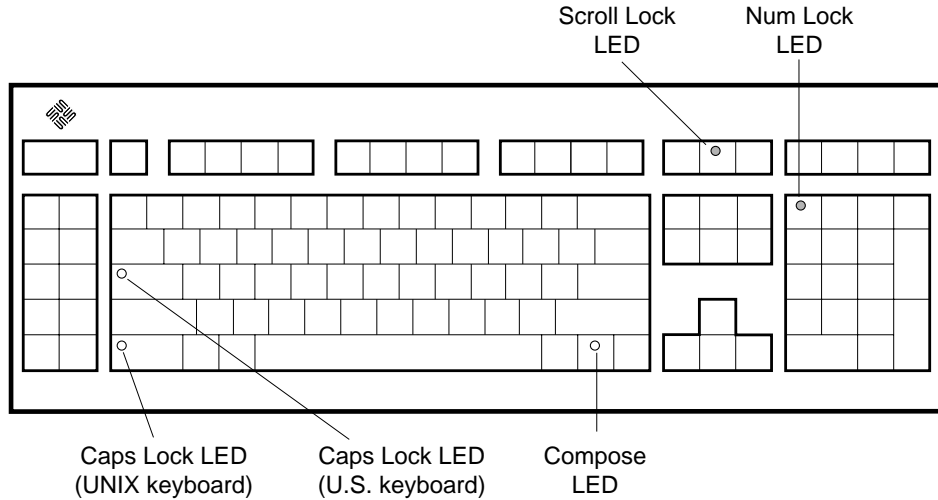
### 3.1 Power-On Self-Test (POST)

The Power-On Self-Test (POST) runs when you turn on the system unit power switch and any of the following conditions apply:

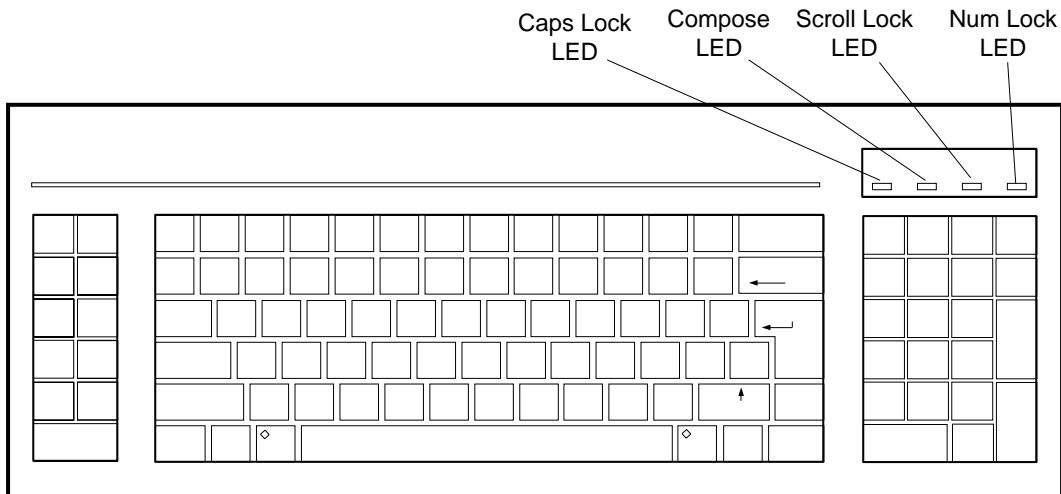
- `diag-switch?` NVRAM parameter is set to `true`.
- Stop-d keys are held down when you turn on the power.
- Keyboard is disconnected, and `diag-switch?` is set to `false`.

The POST comprises a sequence of tests designed to evaluate the major hardware components of the main logic board in the short time before the OpenBoot PROM firmware takes control. The POST does not perform extensive testing on any component of the main logic board. Only major failures can be detected by the POST.

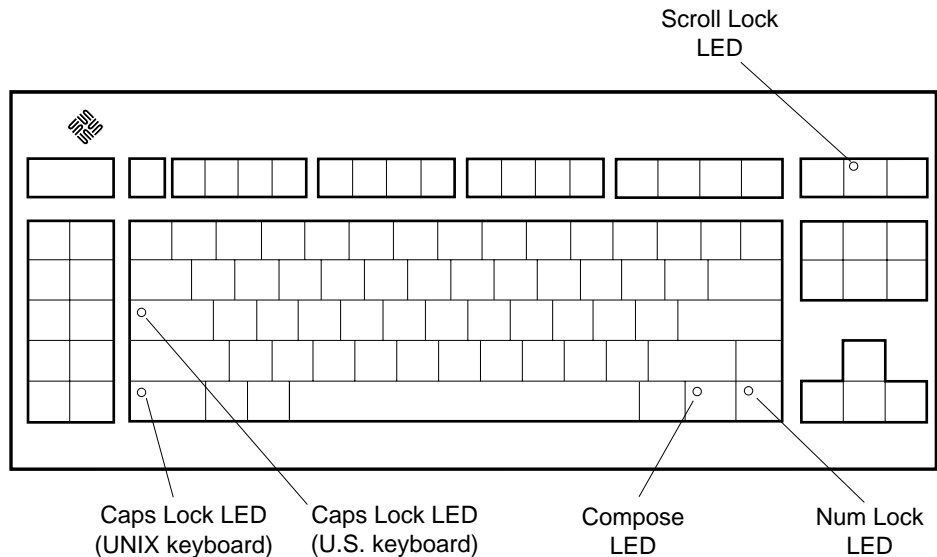
Four different LEDs on the keyboards are used to indicate the progress and results of the POST. These LEDs are on the Caps Lock, Compose, Scroll Lock, and Num Lock keys, as shown in FIGURE 3-1, FIGURE 3-2, and FIGURE 3-3. To indicate the beginning of the POSTs, the four LEDs briefly light all at once. The monitor screen remains blank, and the Caps Lock LED blinks for the duration of the POST.



**FIGURE 3-1** Arrangement of Sun Type-5 Keyboard Diagnostic LEDs



**FIGURE 3-2** Sun Type-4 Keyboard



**FIGURE 3-3** Sun Compact 1 Keyboard

If the system fails any POST, one of the LEDs will light to indicate the nature of the problem. The LED may be lit continuously, or for just a few seconds. TABLE 3-1 provides the meaning of each diagnostic LED.

**TABLE 3-1** Interpreting the Keyboard Diagnostic LEDs

Diagnostic LED	Failed Part
Num Lock LED is lit.	Main logic board
Scroll Lock LED is lit.	NVRAM
Compose LED is lit.	DSIMMs (see Section 4.4 “Determining Faulty DSIMM Locations” on page 4-7)

**Note** – The Caps Lock LED is *not* used as a failure indicator; it blinks on and off to indicate that the POSTs are running. The keyboard LED diagnostics feature described here applies only to systems with a Sun™ Type-4, Type-5, or Compact 1 keyboard connected to its keyboard port. The LED diagnostics do not apply if a different Sun-supported keyboard is connected to the keyboard port, or if a terminal and its keyboard are used as a main console instead of a monitor and a Type-4, Type-5, or Compact 1 keyboard.

If the system passes all the POSTs, all four LEDs light again and then go off. Next, the OBP firmware performs its initialization sequence and the system banner appears on the screen. A generic SPARCstation banner is shown as an example. From this point on, the keyboard LEDs assume their normal functions (that is, you should no longer interpret the LEDs as diagnostic error indicators).

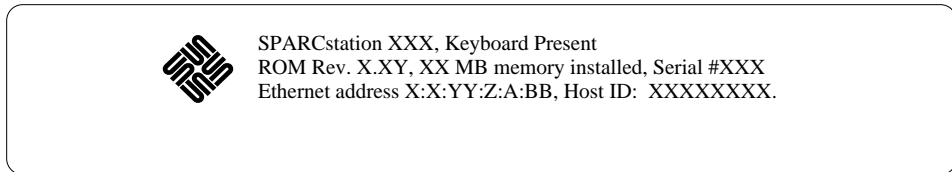


FIGURE 3-4 SPARCstation System Banner

Following the system's successful initialization, the operating system is booted automatically—unless the NVRAM configuration options specify otherwise.

You can retrieve more detailed POST failure information by connecting a terminal to the `ttya` serial port. If you connect a terminal, you must set the NVRAM parameter `diag-switch?` to `true`. For more information about the NVRAM parameters, see TABLE 2-1 on page 2-5. Test failure messages are displayed on the system monitor or console, whether or not the system is in Diagnostic Mode. However, it may be easier to understand the failure message output when it is accompanied by more detailed POST progress messages available via the `ttya` serial port.

---

## 3.2 Normal Mode

Under Normal Mode, when the system is turned on, control is sent to the OpenBoot PROM. Depending on the options set in the OpenBoot PROM, for example if `auto-boot?` is enabled (set to `true`), the operating system will load. Diagnostic testing is *not* run.

---

## 3.3 Full Diagnostic Mode

Full Diagnostic Mode tests the major hardware system board components and, if the POST is successful, control is transferred to the OBP firmware that probes the installed SBus modules. Full Diagnostic Mode runs if *one* of these conditions is met:

- You press and hold the Stop-d keys while you turn on the power.



- You set the `diag-switch?` NVRAM parameter to `true` in the OpenBoot PROM.
- You disconnect the keyboard and you set the `diag-switch?` NVRAM parameter to `true` in the OpenBoot PROM.

---

**Note** – POST does not perform extensive testing on any system board component. POST detects only major failures.

---

To view error messages returned by POST, connect a terminal to serial port A or use a `tip` connection to another workstation.

If you do not connect a terminal to serial port A or use a `tip` connection, the screen will be blank during the POST diagnostics. In this case, use the keyboard LEDs to display error conditions. See Section 3.7 “Status Lights (LEDs) and Indicators” on page 3-8.

---

## 3.4 Abbreviated Diagnostic Mode

A silent Power-On Self-Test (POST) is run if you disconnect the keyboard and you set the `diag-switch?` NVRAM parameter to `false` in the OpenBoot PROM. This Power-On Self-Test is silent (no progressive test messages are printed out). If an error or errors occur during the abbreviated Power-On Self-Test, all error messages are displayed on the TTY or `tip` window.

### 3.4.1 Setting Up a `tip` Connection to Another System

You can use the serial port on your system to connect to another Sun workstation (either the same type of SPARC™ system or a different type of Sun workstation or server system). This connection lets you use a shell window on the Sun workstation as a terminal to the system being tested.

The `tip` method is recommended, because it lets you use SunOS™ windowing and operating system features to help you work with the boot PROM.

To make a `tip` connection, follow these steps:

1. **Connect the system’s serial port (`ttya`) to another Sun workstation `ttya` serial port using a serial connection cable. This connection is made with a 3-wire null modem cable. Connect wires 3-2, 2-3, and 7-7.**

2. At the other Sun workstation, add the following lines to the file `/etc/remote`:

```
hardwire:\
      :dv=/dev/ttya:br#9600:e1=^C^S^Q^U^D:ie=%$:oe=^D:
```

3. In a Shell Tool window on the Sun workstation, type `tip hardwire`. (Some commands will not work properly in a Command Tool window.)

The system will reply `connected`.

```
hostname% tip hardwire
connected
```

The Shell Tool window is now a `tip` window directed to the Sun workstation serial port.

4. When you are finished running POST and want to disconnect the `tip` window, either type `~.` (tilde period) in the `tip` window, or type `kill -9` and the process ID number of the `tip hardwire` process.

```
hostname% ~.
or
hostname% kill -9 PID# of tip hardwire process
```

---

## 3.5 Tests the POST Runs

Following is a sample listing of the Full Diagnostic Mode tests completed by POST.

### CODE EXAMPLE 3-1 Tests POST Runs

```
MMU Context Table Reg Test
MMU Context Register Test
MMU TLB Replace Ctrl Reg Tst
MMU Sync Fault Stat Reg Test
MMU Sync Fault Addr Reg Test
MMU TLB RAM NTA Pattern Test
MMU TLB CAM NTA Pattern Test
MMU TLB LCAM NTA Pattern Test
IOMMU SBUS Config Regs Test
IOMMU Control Reg Test
```

### CODE EXAMPLE 3-1 Tests POST Runs

```
IOMMU Base Address Reg Test
IOMMU TLB Flush Entry Test
IOMMU TLB Flush All Test
SBus Read Time-out Test
EBus Read Time-out Test
D-Cache RAM NTA Test
D-Cache TAG NTA Test
I-Cache RAM NTA Test
I-Cache TAG NTA Test
Memory Address Pattern Test
FPU Register File Test
FPU Misaligned Reg Pair Test
FPU Single-precision Tests
FPU Double-precision Tests
FPU SP Invalid CEXC Test
FPU SP Overflow CEXC Test
FPU SP Divide-by-0 CEXC Test
FPU SP Inexact CEXC Test
FPU SP Trap Priority > Test
FPU SP Trap Priority < Test
FPU DP Invalid CEXC Test
FPU DP Overflow CEXC Test
FPU DP Divide-by-0 CEXC Test
FPU DP Inexact CEXC Test
FPU DP Trap Priority > Test
FPU DP Trap Priority < Test
PROC0 Interrupt Regs Tests
Soft Interrupts OFF Test
Soft Interrupts ON Test
PROC0 User Timer Test
PROC0 Counter/Timer Test
DMA2 E_CSR Register Test
LANCE Address Port Tests
LANCE Data Port Tests
DMA2 D_CSR Register Test
DMA2 D_ADDR Register Test
DMA2 D_BCNT Register Test
DMA2 D_NADDR Register Test
ESP Registers Tests
DMA2 P_CSR Register Test
DMA2 P_ADDR Register Test
DMA2 P_BCNT Register Test
PPORT Registers Tests
NVRAM Access Test
TOD Registers Test
```

---

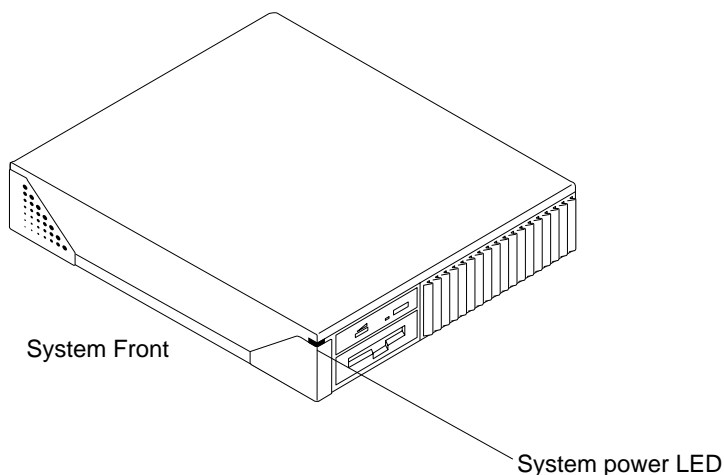
## 3.6 POST Error Messages

POST error messages returned to the terminal are self-explanatory. For example, if no DSIMM is installed in the system, the POST will tell you that no DSIMM is installed and will indicate the slot number of the DSIMM slot. Use the error messages returned by POST to troubleshoot the system.

---

## 3.7 Status Lights (LEDs) and Indicators

The LED at the front of the chassis lights when the system is operating normally. FIGURE 3-5 shows the location of the system LED. Chapter 4, shows flow diagrams of actions to take when the system LED is not lit.



**FIGURE 3-5** Location of System Power LED

Section 3.1 “Power-On Self-Test (POST)” on page 3-1, describes the keyboard LED sequences displayed at power up when the POST fails. If a failure occurs during the POST, the keyboard displays a specific LED pattern. See FIGURE 3-1 through FIGURE 3-3 and TABLE 3-1. During normal system operation, the LEDs should not be interpreted as diagnostic error indicators.

Following the system initialization, the operating system boots automatically, unless the NVRAM configuration options specify not to do so.

---

**Note** – The Caps Lock key LED on some U.S. keyboards, located just above the left-hand Shift key, is not used as a POST failure indicator, but blinks on and off while POST is running.

---

If the Caps Lock key fails to flash on and off after you have pressed and held the Stop-d keys when you power on the system, POST failed. See Section 4.2.2 “System Board Test” on page 4-5, for troubleshooting information.



## Troubleshooting Procedures

This chapter describes how to troubleshoot SPARCstation 4 system problems. Each problem is described, and a set of procedures is provided as a solution to the problem.

- No Video Output on the System Monitor
- Power-On Does Not Succeed
- Disk Drive Errors
- Determining Faulty DSIMM Locations

TABLE 4-1 describes commonly encountered problems, and tips for solving them.

TABLE 4-1 Troubleshooting Tips

Problem	Action
LED on front of system is not lit.	Verify that the power switch is turned on and that the power cord is connected. If both the power switch and the power cord are connected, shut down the system and verify that the LED cable is connected. If the LED cable is connected, the power supply may be defective. Replace the power supply. See Chapter 8.
Disk drive fails to boot or does not respond.	Shut down the system. Verify the following NVRAM parameters: <code>diag-switch?=false</code> , <code>auto-boot?=true</code> , and <code>boot-dev=disk</code> (see TABLE 2-1 on page 2-5). The SCSI controller may be defective. See Section 4.3.1 “Verifying the Built-In SCSI Controller” on page 4-6. Verify that each SCSI device is assigned a unique SCSI target address. See Appendix C, for important additional information.
Operating system does not recognize disk drive at boot up.	Shut down the system. Verify that each SCSI device is assigned a unique SCSI target address. See Appendix C, for important additional information.
No video output on monitor.	Verify that the power cord is connected. Use a volt-ohmmeter (VOM) to check voltages. See Section 4.1 “No Video Output on the System Monitor” on page 4-2.

TABLE 4-1 Troubleshooting Tips

Problem	Action
Slow disk drive response.	If many SCSI devices are connected to the same SCSI bus and if some of these devices are "fast SCSI" devices, you can install an FSBE/S SBus card to the "fast SCSI" devices to speed up performance.
Read, write, or parity error reported by the operating system or applications.	Verify that the cable connections to the disk drive are fully seated. Replace the disk drive indicated by the failure message. Solaris 1.x operating systems identify the internal disk drive (SCSI target ID 3) as <code>sd0</code> . With Solaris 2.x operating systems, the drive is identified as <code>c0t3d0</code> .
Power on does not succeed. LEDs on keyboard do not light and there is no tone from the keyboard when you turn on the system power.	The power supply may be defective. See Section 4.2.1 "Power Supply Test" on page 4-3.
Power on does not succeed. The system fails to initialize but the LEDs on the keyboard light and there is a tone from the keyboard.	The system board may be defective. See Section 4.2.2 "System Board Test" on page 4-5.

## 4.1 No Video Output on the System Monitor

- 1. Check that the power cord is connected to the monitor and to the wall outlet.**
- 2. Verify that the wall outlet is supplying AC power to the monitor.**  
Use a volt-ohmmeter (VOM).
- 3. Verify that the video cable connection is secure between the monitor and the system video output port.**  
Use a VOM to perform the continuity test on the video cable.  
If the power cord and video cable connection are good and there is still no video output, reseat the video card for the monitor.
- 4. If the monitor power supply is internally fused, check the fuse.**  
The fuse could be blown.



---

## 4.2 Power-On Does Not Succeed

1. Turn off the system power switch.
2. Check that the system power cord is properly connected to the system rear panel power receptacle and to the wall outlet.
3. Verify with a VOM that the wall outlet is supplying AC power to the system.
4. Turn the rear panel system power switch on and observe the keyboard.

The LEDs on the keyboard should briefly light. You should hear a tone from the keyboard. If you have a Sun Type-5 keyboard, there is a Standby power key that you may also press to see if the system can be powered on or not. Only try the Standby power key if the rear switch fails to turn on the system.

If you hear no tone or see no lights on the keyboard, the system's power supply may be defective. See Section 4.2.1 "Power Supply Test" on page 4-3.

If you hear a tone and see lights on the keyboard, but the system still fails to initialize, see Section 4.2.2 "System Board Test" on page 4-5.

### 4.2.1 Power Supply Test

1. Use a VOM (volt-ohmmeter) to check the power supply output voltages.

Place the VOM negative probe on logic ground pin 15 in the connector, and test the +12V, -12V, and +5V power pins individually with the positive probe (pins 1 through 3). See FIGURE 4-1 and TABLE 4-2.

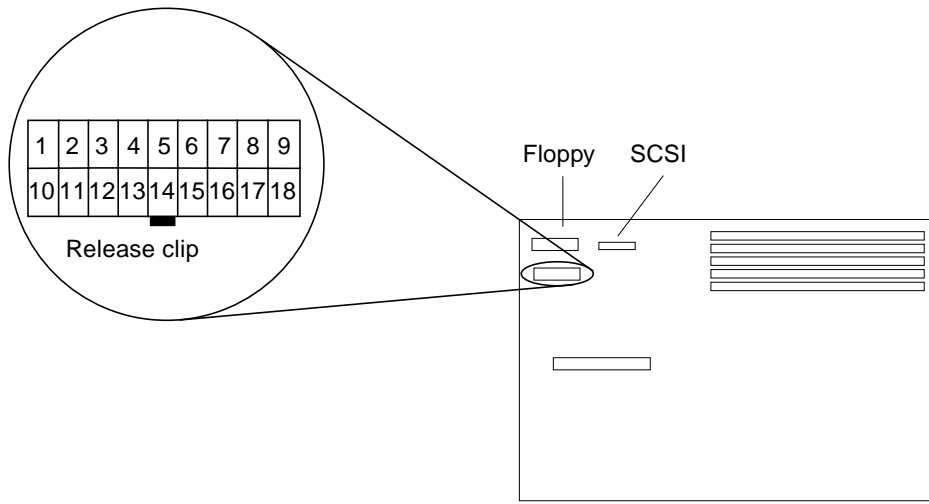
---

**Note** – The power supply must remain connected to the system board during this test. This allows the power supply to regulate the voltages.

---

2. Replace the power supply assembly if any of the voltages are not present.

See Section 8.1 "Power Supply" on page 8-1.



**FIGURE 4-1** Power Supply Connector

TABLE 4-2 shows the pin assignments on the power supply connector.

**TABLE 4-2** Power Supply Connector Pin Assignments

Pin	Color	Description <sup>1</sup>	Pin	Color	Description
1	Blue	+12V	10	Black	Ground
2	Brown	-12V	11	Black	Ground
3	Red	+5V	12	Black	Ground2
4	Red	+5V	13	Black	Ground2
5	Red	+5V <sup>2</sup>	14	Black	Ground
6	Red	+5V2	15	Black	Ground
7	Red	+5V	16	Green	AC Outlet <sup>2</sup>
8	Red	+5V	17	Purple	Fan
9	Grey	Power off	18	Yellow	Power on

1. All volts are direct current.

2. The SPARCstation 4 power supply has no connections to pins 5, 6, 12, 13, and 16. The SPARCserver 4 power supply has connections to *all* pins.

## 4.2.2 System Board Test

1. **Connect a terminal to serial port A or use a tip connection to another workstation to receive additional POST failure information.**

To set up a tip connection to another workstation, see Section 3.4.1 “Setting Up a tip Connection to Another System” on page 3-5.”

2. **Press and hold the Stop-d keys. While holding the keys down, turn the system power switch on. Watch the keyboard LEDs.**
  - a. **The Caps Lock key on the keyboard should flash on and off, indicating that the system is running the Power-On Self-Test (POST).**

If the Caps Lock key fails to flash on and off after you have pressed and held the Stop-d keys, POST failed.
  - b. **To further troubleshoot the system board, see Section 4.2.2.1 “Caps Lock Key Fails to Flash On and Off During POST” on page 4-5.**

3. **Observe the keyboard LEDs.**

If a failure occurs during POST, an LED may light up. See TABLE 3-1 on page 3-3 to interpret the keyboard diagnostic LEDs.

4. **Replace the defective part indicated.**

### 4.2.2.1 Caps Lock Key Fails to Flash On and Off During POST

1. **Remove optional SBus cards and DSIMMs.**

Leave one DSIMM in Slot 0 (closest to the rear panel).

2. **Run the POST again before replacing the system board.**

Remove all other parts to eliminate the possibility that those parts could be causing the POST failure.

## 4.3 Disk Drive Errors

TABLE 4-3 presents disk drive error conditions and corrective actions.

TABLE 4-3 Troubleshooting Disk Drive Errors

Symptom	Corrective Action
Read, write, or parity error reported by the operating system or applications.	Replace the disk drive indicated by the failure message. Solaris 1.x operating systems identify the internal disk drive (SCSI target ID 3) as <code>sd0</code> . With Solaris 2.x operating systems, the drive is identified as <code>c0t3d0</code> .
Drive fails to boot or does not respond to commands.	SCSI controller may be defective. See Section 4.3.1 “Verifying the Built-In SCSI Controller” on page 4-6. Verify that each SCSI device is assigned a unique SCSI target address. See Appendix C for important additional information.
Slow disk drive response.	If many SCSI devices are connected to the same SCSI bus and if some of these devices, such as the 1.05-Gbyte disk drive, are “fast SCSI” devices, you may want to install an FSBE/S SCSI host adapter card to the “fast SCSI” devices and put these “fast SCSI” devices on a separate SCSI bus to speed up disk drive response.

### 4.3.1 Verifying the Built-In SCSI Controller

To check whether the built-in SCSI controller is defective, test the drive response to the `probe-scsi` command. To test additional SCSI host adapters added to the system, use the `probe-scsi-all` command. Refer to Section D.1.6 “module-info” on page D-7.

- **At the `ok` prompt, type `probe-scsi`**

See the following example.

```
ok probe-scsi
Target 3
  Unit 0 Disk SEAGATE ST3610N  SUN0535881200054301
```

- a. **If the disk drive responds and a message is displayed, the system SCSI controller has successfully probed the devices.**

This indicates that the system board is working correctly.

- b. **If a disk doesn't respond:**

- i. **Make sure that every SCSI disk and other SCSI devices on the SCSI bus have a different SCSI target ID (see Appendix C).**

---

**Note** – The internal SCSI hard drive is automatically assigned target 3.

---

- ii. **Verify that all SCSI cables and the SCSI terminator are connected securely.**
- iii. **Check the SCSI cables to make sure that there are no bent pins.**
- iv. **If you still have not found the problem, replace the unresponsive drive.**
- v. **If the problem still occurs after replacing the drive, replace the system board.**
- vi. **If the problem persists, replace the internal disk drive cable assembly.**

---

## 4.4 Determining Faulty DSIMM Locations

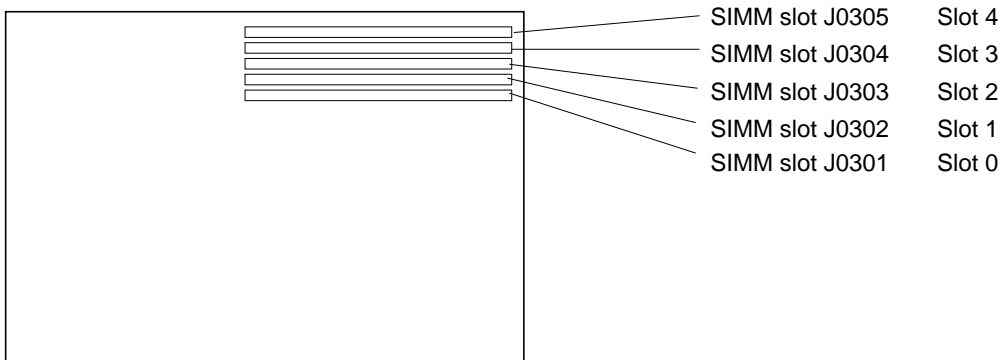
The SunDiag System Exerciser and POST diagnostics can report memory errors encountered during program execution. For general information about diagnostics, see Chapter 2. Memory error messages on the video monitor usually indicate a physical memory address where the error was detected.

Depending on the diagnostic program you are running, a DSIMM location number (“J” number) or a memory address may be displayed.

If the error message displays the location number, see FIGURE 4-2 for DSIMM location numbers in the SPARCstation 4 system. If the error message displays a physical memory address, consult TABLE 4-4 to see which memory slot contains the physical address for the SPARCstation 4 system.

For example, if an error is detected at physical memory address 12fe958, examining TABLE 4-4 shows that the error occurred in the DSIMM in slot 0.

After you have identified the defective DSIMM, follow the instructions in Section 11.3.1 “Removing a DSIMM” on page 11-17, to remove the defective DSIMM. To replace the DSIMM, follow the directions in Section 11.4.2 “Replacing the VSIMM” on page 11-22.



**FIGURE 4-2** DSIMM Slot Locations

The following table shows the Physical Memory Address Ranges for the SPARCstation 4 system.

**TABLE 4-4** Physical Memory Address Ranges for SPARCstation 4 System<sup>1</sup>

Slot	SIMM #	Physical Memory Address Ranges
0	J0301	0000 0000 through 01FF FFFF
1	J0302	0200 0000 through 03FF FFFF
2	J0303	0400 0000 through 05FF FFFF
3	J0304	0600 0000 through 07FF FFFF
4	J0305	0800 0000 through 09FF FFFF

1. Each memory slot can contain one DSIMM up to 32 megabytes in size. Slot 0 must have a DSIMM present. If different capacity DSIMMs are mixed in a system, slot 0 must contain the highest capacity DSIMM.

# Safety and Tools Requirements

---

This chapter describes standards, safety procedures, and precautions you should follow whenever you need to replace or remove assemblies or subassemblies from your system.

- “Safety Requirements” on page 1
- “Symbols” on page 2
- “System Precautions” on page 3
- “Tools Required” on page 3
- “Electrostatic Discharge (ESD) Precautions” on page 4

---

## 5.1 Safety Requirements

For your protection, observe the following safety requirements:

- Follow all cautions, warnings, and instructions marked on the equipment.
- Ensure that the voltage and frequency rating of the power outlet matches the electrical rating labels on the system.
- Use properly grounded power outlets.

To protect both yourself and the equipment, observe the safety precautions listed in TABLE 5-1.

**TABLE 5-1** Safety Precautions

<b>Item</b>	<b>Problem</b>	<b>Precaution</b>
AC power cord	Electric shock	Unplug the AC cord from the AC wall socket before working on the power supply.
	Grounding	Leave the AC power cord plugged into the AC wall outlet when replacing drives, DSIMMs, chips, or the system board. Leaving the AC power cord plugged into the wall outlet provides a grounding path for the wrist strap, which must be attached.
Wrist strap	Electrostatic Discharge (ESD)	Wear a wrist strap when handling printed circuit boards, drives, or other components such as DSIMMs.
ESD mat	ESD	An approved antistatic mat provides protection from static damage when used with a wrist strap. The mat also cushions and protects small parts that are attached to printed circuit boards. Chapter 12, " lists the part number of the mat.
Printed circuit boards	ESD	Handle a printed circuit board by the edges only. Store a board in an antistatic bag.
Cover	System damage and overheating	Replace the cover after performing service on the system.
SBus slot filler panels	System damage and overheating	Install filler panels in all unused SBus openings. Openings on the back of the system board reduce the cooling capability of the system.
microSPARC™ II chip heat sink	Heat, burns	Do not touch the metal heat sink on the microSPARC II chip. The heat sink can be hot enough to cause personal injury.

## 5.2 Symbols

The following symbols mean:





---

**Caution** – This equipment contains lethal voltages. Accidental contact can result in serious injury or death.

---



---

**Caution** – Physical danger due to a nonelectrical hazard or danger of irreversible damage to data or to the operating system.

---



---

**Caution** – Improper handling by unqualified personnel can cause serious damage to this equipment. Unqualified personnel who tamper with this equipment may be held liable for any resulting damage to the equipment.

---



---

**Caution** – Hot surface. Avoid contact. Surfaces are hot and may cause personal injury if touched.

---

---

## 5.3 System Precautions

Individuals who service this equipment must observe all safety precautions and ensure compliance with skill level requirements, certification, and all applicable local and national laws.

Procedures contained in this document must be performed by trained maintenance providers. Only people who have been trained at the Sun Microsystems™ training facilities (or at Sun Microsystems affiliates) and have been certified as required by local and national laws are considered qualified.



---

**Caution** – Before you begin, carefully read each of the procedures in this manual. If you have not performed similar operations on comparable equipment, *do not attempt* to perform these procedures.

---

---

## 5.4 Tools Required

To remove and replace customer replaceable units (CRUs), you will need the following tools and materials:

- Small Phillips-head screwdriver
- Small flat-blade screwdriver
- Wrist strap
- Antistatic surface
- Volt-ohmmeter (VOM) for checking voltages and continuity
- Needlenose pliers
- Conductive foam to store chips
- Container for screws

---

## 5.5 Electrostatic Discharge (ESD) Precautions



---

**Caution** – The system chassis power must be turned off, and the AC power cord must remain plugged in to ensure a proper ground.

---

To minimize electrostatic discharge, observe the following precautions:

- Hold the system board, SBus cards, DSIMMs, or system components only by the edges.
- When removing a board, card, or module from an antistatic bag, lay it on an antistatic surface such as a Sun ESD mat, an antistatic bag, or a disposable antistatic mat.
- Do not place the boards, cards, or modules on an unprotected surface. Use a cushioned antistatic mat or antistatic bag. Connectors and components have very thin pins that bend easily.
- Do not use an oscilloscope or VOM (volt-ohmmeter) probe on the components. The soldered pins are easily damaged or shorted by the probe point.
- Transport boards, cards, or modules in an antistatic bag.
- Always wear an antistatic wrist strap connected to a metal surface on the chassis when working on system components and parts.

## Power On and Off

---

This chapter explains steps to perform before removing a customer replaceable unit (CRU).

- “Powering Off the System” on page 1
- “Powering On the System” on page 4

---

### 6.1 Powering Off the System

Before you begin any removal or replacement procedure, you must halt the system in an orderly manner. The procedure to use depends on whether your system is working normally or not, as described in the next sections.



---

**Caution** – When the operating system or any other standalone program has already booted, do not use the Stop-a keys to halt the system. Using the Stop-a keys to abort program execution can damage data files.

---

#### 6.1.1 When the System Is Working Normally

To halt your system when it is working normally:

- 1. Save all your work.**

Consult your software documentation for instructions on ending a work session and saving your files. If you do not save your work, you could lose it when you switch off the power.

## 2. Halt the operating system.

See the documentation supplied with your operating system for instructions on how to halt it.

### a. For Solaris 2.x (SunOS 5.x) systems, type:

```
% su
Password: superuser password
# /usr/sbin/shutdown -y -g60 -i0
```

### b. For Solaris 1.x (SunOS 4.x) systems, type:

```
% su
Password: superuser password
# /usr/etc/shutdown -h +1
```

The operating system warns other users of your system of the impending shutdown, and then halts itself after a one-minute delay. If you wish to provide a longer delay, see the man page for `shutdown(1)`.

The system responds with system halt messages followed by an `ok` prompt. When the `ok` prompt appears, you can safely turn off the power in the proper sequence.

### 3. When the `ok` prompt appears, turn off the power to the system components in this order:

1. System unit
2. Monitor
3. External drive units (if you have any)

## 6.1.2 When the System Does Not Respond Normally

To halt a system that is hung, or frozen, and unresponsive to commands:

### 1. If your system is on a network, wait a few minutes before proceeding.

Your system's slow response may be due to network problems or delays. Check with the person in charge of your network. If the response is not due to the network, go to the next step.

### 2. Press Stop-a (or Break).

If you use a Wyse WY-50, VT-100, or compatible terminal as the console with your system unit, press Break instead of Stop-a.

---

**Note** – If the system does not respond to the mouse and keyboard, pressing Stop-a will not be effective. You may have to turn the power off, wait at least 10 seconds, and turn the power on again. Then try pressing Stop-a once more.

---

**3. When the `ok` prompt appears, boot the operating system.**

Enter `boot` at the `ok` prompt.

**4. When you see the `login` prompt, log in to the system with your user name and password.**

**5. Halt the operating system.**

See the documentation supplied with your operating system for instructions on how to halt it.

**a. For Solaris 2.x (SunOS 5.x) systems, type:**

```
% su
Password: superuser password
# /usr/sbin/shutdown -y -g60 -i0
```

**b. For Solaris 1.x (SunOS 4.x) systems, type:**

```
% su
Password: superuser password
# /usr/etc/shutdown -h +1
```

The operating system warns other users of your system of the impending shutdown, and then halts itself after a one-minute delay. If you wish to provide a longer delay, see the man page for `shutdown(1)`.

The system responds with system halt messages followed by the `ok` prompt. When the `ok` prompt appears, you can safely turn off the power in the proper sequence.

**6. When the `ok` prompt appears, turn off the power to the system components in this order:**

1. System unit
2. Monitor
3. External drive units (if you have any)

---

## 6.2 Powering On the System



---

**Caution** – Before turning on power to your system, be sure to close the system unit. It is not safe to operate your SPARC system while the system unit is open.

---



---

**Caution** – These devices are equipped with a three-wire grounded power cord. To reduce the risk of electrical shock, always plug the power cord into a properly grounded power outlet.

---



---

**Caution** – Always allow 10 seconds between turning off the power and turning it back on again. This pause prevents possible damage to power supply components in your system unit.

---

To turn on power to the system:

1. **If your system uses external drive units, turn on the power to these units first, starting with the unit that is furthest electrically from the system unit.**
2. **Turn on the power to the monitor.**
3. **Turn on the power to the system unit.**

# Internal Access

---

This chapter describes how to access the subassemblies inside the system unit, and how to close the system unit after you have finished the service procedures.

- “Removing the Cover” on page 1
- “Attaching the Wrist Strap” on page 3
- “Replacing the Cover” on page 4

---

## 7.1 Removing the Cover



---

**Caution** – The AC power cord should remain attached between the system unit and an AC wall outlet. This connection provides the ground path necessary to protect internal system components from harmful static discharges. Inside the system unit, be sure that the power supply wiring harness is connected to the main logic board to complete the ground.

---



---

**Caution** – The surface of the microSPARC II™ chip may be hot and could cause personal injury if touched. Avoid contacting this component.

---



---

**Caution** – Before opening the system unit, make sure that the system power is in the Standby mode. The LED on the front of the system unit should not be lit, and the fans should not be running. When the system power switch is in the Standby mode, and the AC power cord remains connected to a power outlet, hazardous AC voltage is still present in the power supply primary. Do not attempt to service the power supply under these conditions. Disconnect the AC power cord prior to handling the power supply. When servicing any other system component, the AC power cord should remain connected; it poses no safety hazard.

---

1. Press the Standby side of the system power switch.
2. Loosen the captive Phillips screw in the upper-right corner of the rear panel (see FIGURE 7-1).
3. Unscrew the Phillips screw that secures the lock block to the cover. Remove the lock block and put it aside (see FIGURE 7-1).

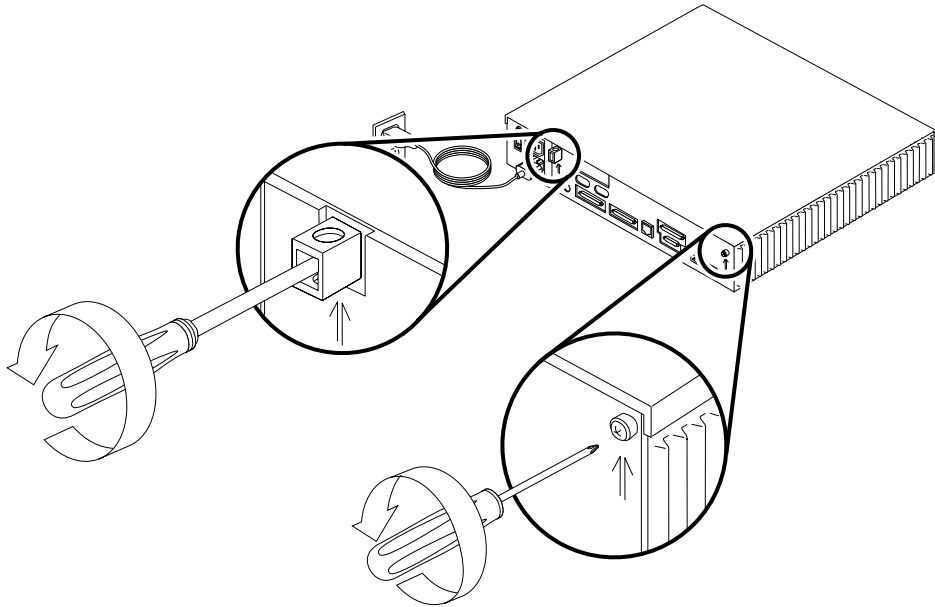


FIGURE 7-1 Removing the Rear Panel Cover Screws

4. Lift the cover free of the chassis.  
See FIGURE 7-2.



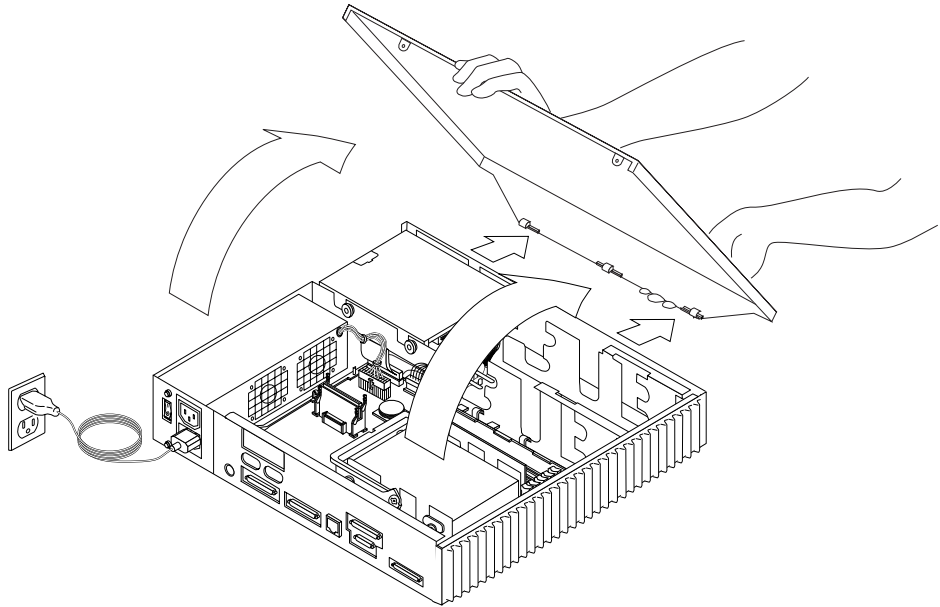


FIGURE 7-2 Removing the Cover

5. Attach a wrist strap to your wrist and to the metal casing of the power supply.  
See “Attaching the Wrist Strap” on page 3.



---

**Caution** – When you are finished servicing parts inside the system unit, be sure to close the system unit before turning on the power. It is not safe to operate the system unit while it is open.

---

## 7.2 Attaching the Wrist Strap

1. Unwrap the first two folds of the wrist strap and wrap the adhesive side securely around your wrist.

See FIGURE 7-3.

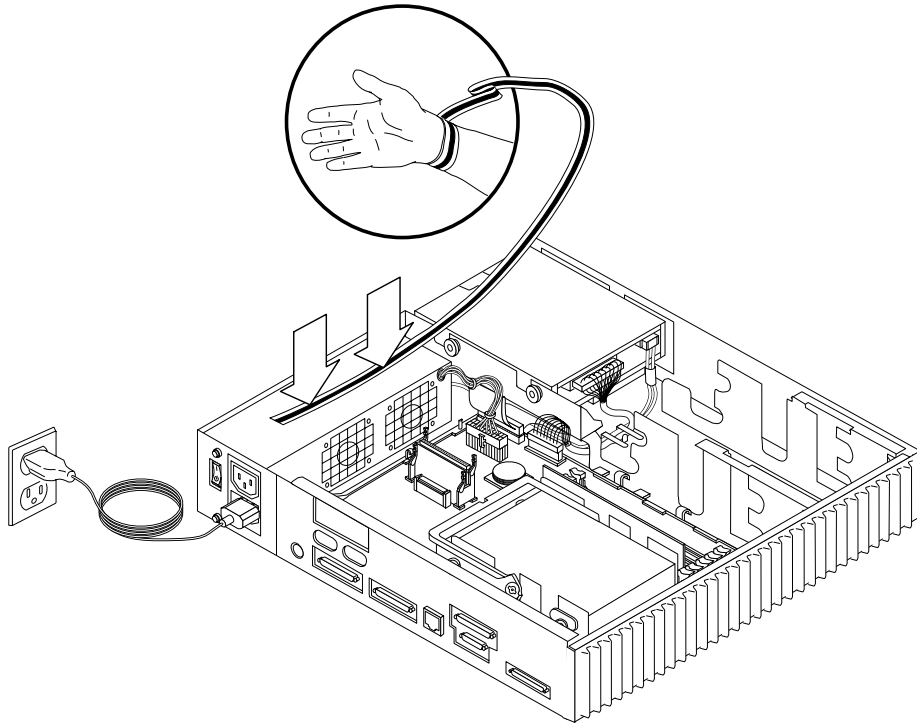


FIGURE 7-3 Grounding the Wrist Strap to the Power Supply

2. **Peel the liner from the copper foil at the opposite end of the wrist strap and attach that end to the top of the power supply.**

See FIGURE 7-3. Make sure that the strap makes good contact with the metal casing of the power supply; avoid the labels on top of the supply.

---

## 7.3 Replacing the Cover

1. **Remove the wrist strap from your wrist and then from the power supply.**
2. **Align the cover hinge tabs with the tab slots on the bottom front of the system chassis. Carefully lower the cover, making sure that the hinge hooks remain inside their respective slots.**

See FIGURE 7-4.

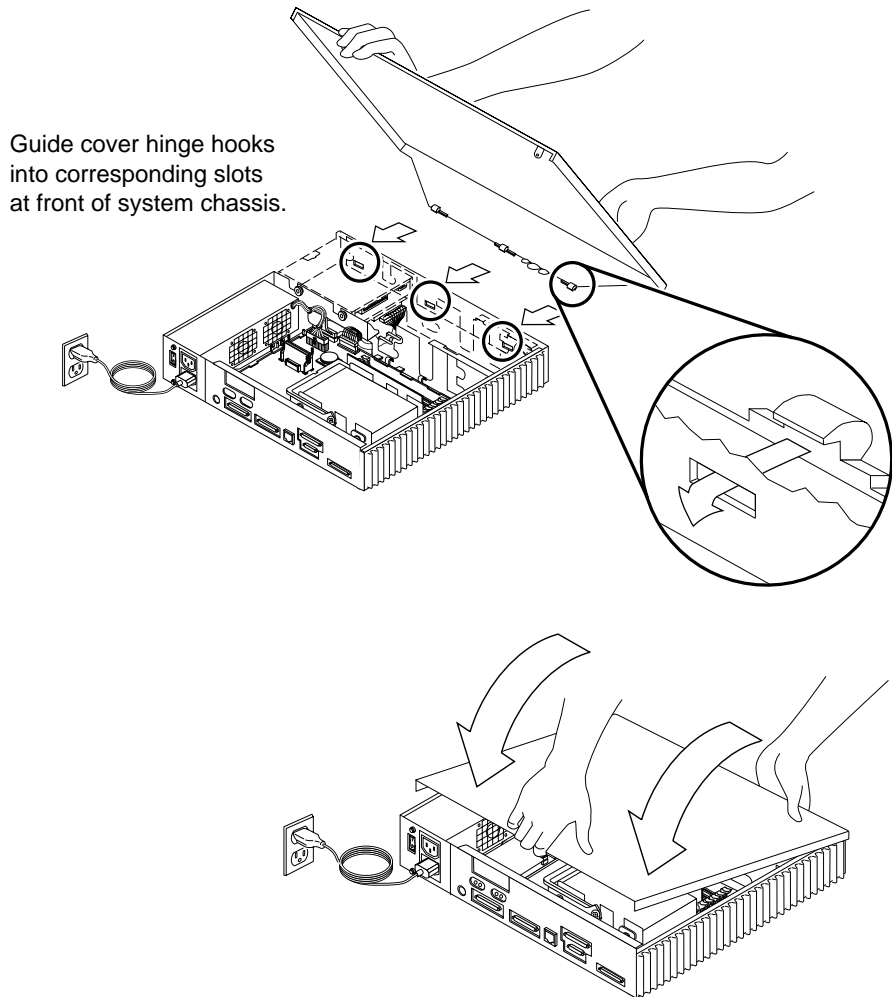


FIGURE 7-4 Replacing the Cover

3. Replace the lock block on the rear panel. Tighten the Phillips screw that secures the lock block to the cover.

See FIGURE 7-5.

4. Tighten the captive Phillips screw in the upper-right corner of the rear panel.

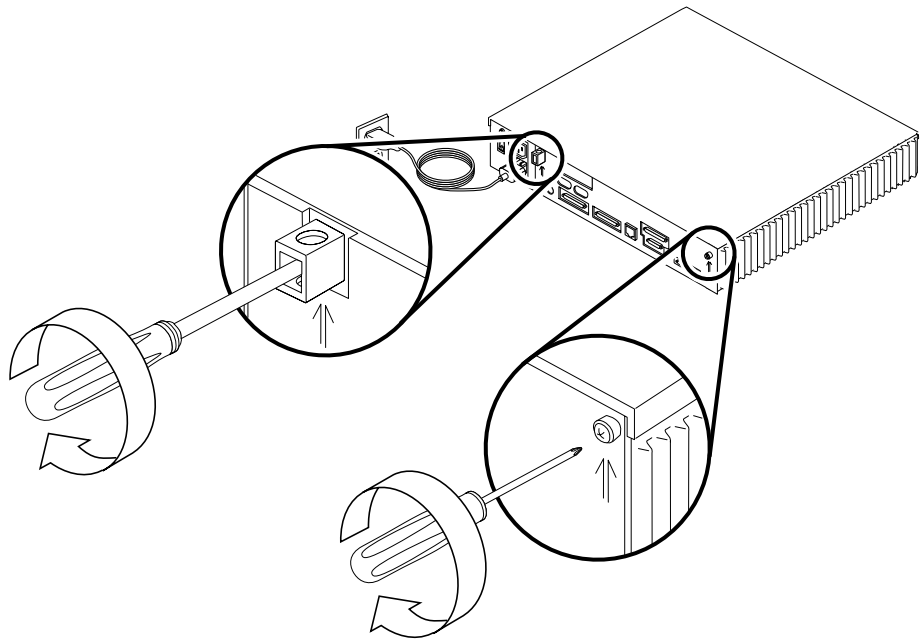
See FIGURE 7-5.



---

**Caution** – Do not use a power driver to tighten captive screws. Do not overtighten captive screws.

---



**FIGURE 7-5** Securing the System Unit Cover

## Major Subassemblies

---

This chapter describes how to remove and replace the system unit's major subassemblies.

- "Power Supply" on page 1
- "Speaker/LED Cable" on page 5
- "Internal Speaker" on page 8

---

### 8.1 Power Supply



---

**Caution** – When the system power switch is in the Standby position, and the AC power cord remains connected to a power outlet, hazardous AC voltage is still present in the power supply primary. Do not attempt to service the power supply under these conditions. Disconnect the AC power cord prior to handling the power supply. When servicing any other system component, the AC power cord should remain connected; it poses no safety hazard.

---

SPARCstation 4 systems have a 50-watt power supply with an unswitched AC accessory outlet. SPARCserver 4 systems have a 150-watt power supply, with a switched AC accessory outlet.

#### 8.1.1 Removing the Power Supply



---

**Caution** – To avoid personal injury or damage to the system board or components, press the Standby side of the AC power switch before disconnecting the external power cord from the rear panel.

---

**1. Shut down and power off the system.**

See Section 6.1 “Powering Off the System” on page 6-1.

**2. Disconnect the external power cord from the rear panel of the system unit and from the wall outlet.**

**3. Remove the cover.**

See Section 7.1 “Removing the Cover” on page 7-1.

**4. Attach a wrist strap and secure it to the upper flat edge of the rear panel.**

See FIGURE 8-1.

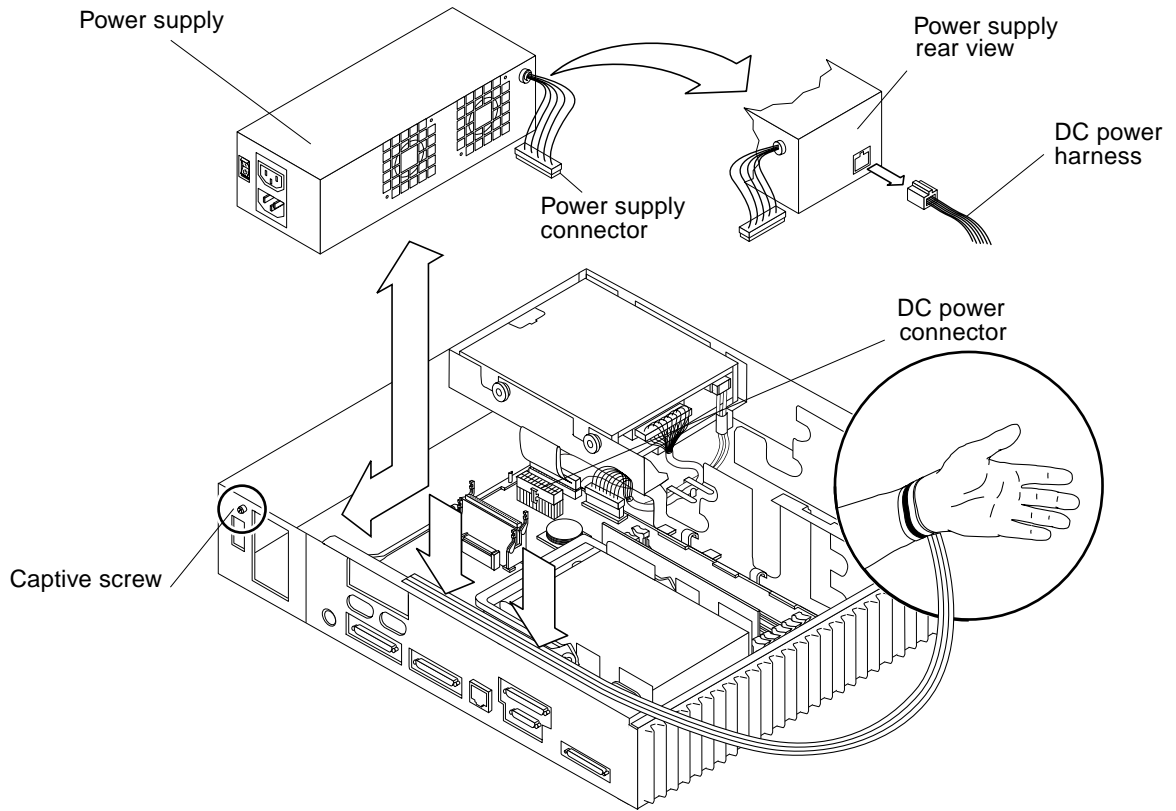
---

**Note** – The wrist strap is usually grounded to the power supply. When removing or replacing the power supply, attach the wrist strap to the upper flat edge of the rear panel to ground the system.

---

**5. On the rear panel, loosen the captive screw securing the power supply to the chassis.**

See FIGURE 8-1.



**FIGURE 8-1** Removing the Power Supply

- 6. Disconnect the power supply connector from the system board.**  
See FIGURE 8-1.
- 7. Slide the power supply toward the chassis front to free it from the chassis mounts.**  
See FIGURE 8-1.
- 8. Lift the power supply out of the chassis and disconnect the DC power harness from the keyed connector on the rear of the power supply.**  
See FIGURE 8-1.

## 8.1.2 Replacing the Power Supply

- 1. Attach a wrist strap and secure it to the rear panel.**  
See FIGURE 8-1.

---

**Note** – The wrist strap is usually grounded to the power supply. However, when removing or replacing the power supply, attach the wrist strap to the upper flat edge of the backpanel to ground the system.

---

2. **Hold the power supply in one hand. Connect the DC power harness to the rear of the power supply.**

See FIGURE 8-2.

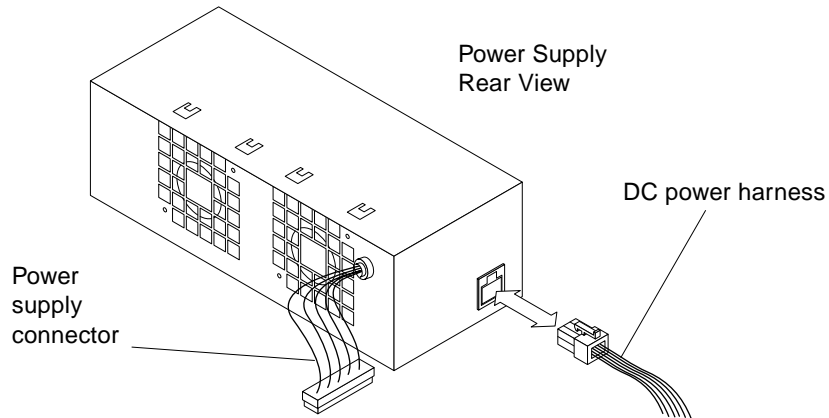


FIGURE 8-2 Connecting the DC Power Harness to the Power Supply

3. **Lower the power supply into the chassis at an angle, so that the DC power connector fits under the peripheral bracket.**
4. **Slide the power supply toward the rear of the chassis until it locks in the chassis mounts.**
5. **Tighten the captive screw to secure the power supply to the rear of the chassis.**

See FIGURE 8-1.



---

**Caution** – Do not use a power driver to tighten a captive screw. Do not overtighten a captive screw.

---

6. **Plug in the power supply connector to the system board.**

See FIGURE 8-1.

7. **Remove the wrist strap first from your wrist and then from the back panel.**

8. **Replace the cover.**

See Section 7.3 “Replacing the Cover” on page 7-4.



9. **Plug in the power cord to the system unit and the wall outlet.**
10. **Power on the system.**  
See Section 6.2 “Powering On the System” on page 6-4.

---

## 8.2 Speaker/LED Cable

The system power LED is located at one end of the speaker/LED cable assembly.

### 8.2.1 Removing the Speaker/LED Cable

1. **Shut down and power off the system.**  
See Section 6.1 “Powering Off the System” on page 6-1.
2. **Remove the cover and attach a wrist strap.**  
See Chapter 7.
3. **Remove the CD-ROM drive (if present).**  
See Section 9.2.1 “Removing the CD-ROM Drive” on page 9-5.
4. **Remove the CD-ROM SCSI cable and the DC power harness from the metal cable clips.**  
See FIGURE 8-3.
5. **Unplug the speaker/LED cable from the system board.**  
See FIGURE 8-3.

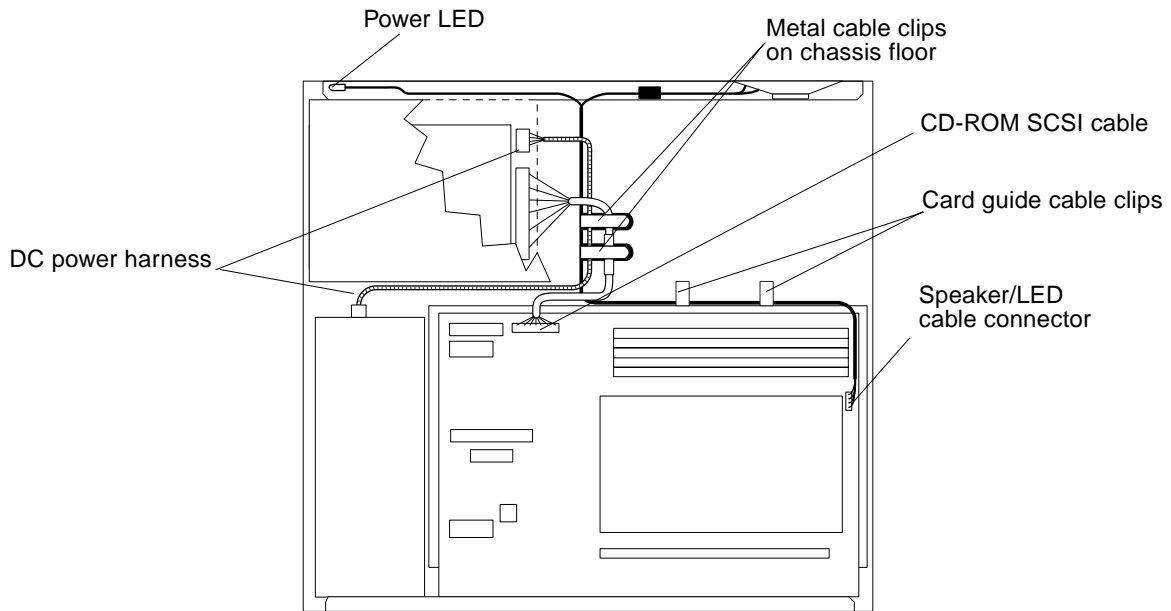


---

**Caution** – Disconnect the speaker/LED cable from the system board before disconnecting the cable from the speaker. Failure to first disconnect the speaker/LED cable from the system board can result in permanent damage to your system.

---

6. **Disconnect the speaker/LED cable from the rear of the speaker.**  
Use needlenose pliers to remove the two fast-on connectors.
7. **The power LED cable is located at the shrink-wrapped end of the speaker/LED assembly. Using the tip of a small, flat-blade screwdriver, work the cable and LED free from the plastic tabs that hold them in place.**  
See FIGURE 8-3.



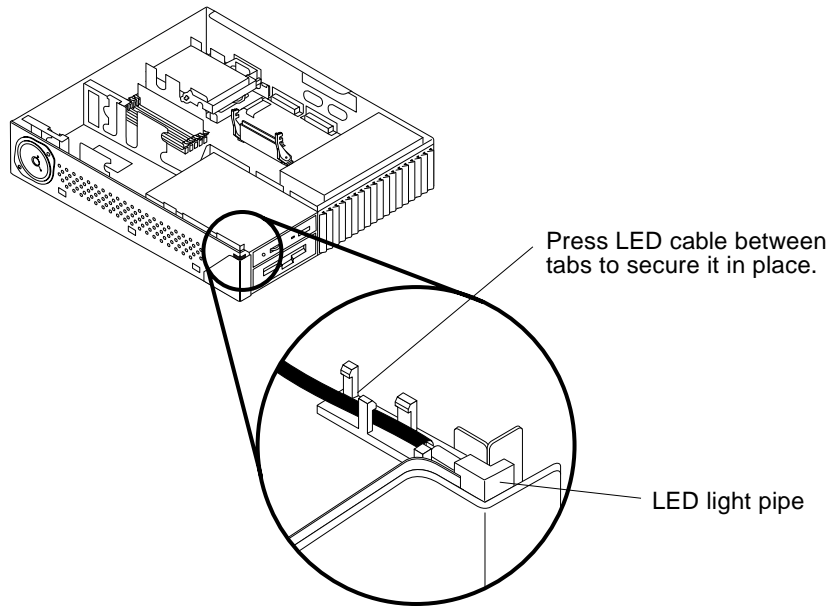
**FIGURE 8-3** Power LED and Speaker/LED Board Cable Connectors

- 8. Remove the speaker/LED cable from the system chassis.**

## 8.2.2 Replacing the Speaker/LED Cable

- 1. Position the replacement speaker/LED cable so that the power LED contacts the LED light pipe. Then press the cable between the LED tabs to secure it in place.**

See FIGURE 8-4.



**FIGURE 8-4** Positioning the LED Cable

- 2. Route the speaker/LED cable behind the diskette drive bracket and through the metal cable clips.**  
See FIGURE 8-3.
- 3. Reconnect the speaker cable connections.**  
Use needlenose pliers to reconnect the two speaker fast-on connectors.
- 4. Route the speaker/LED cable under the card guide cable clips.**  
See FIGURE 8-3.
- 5. Reconnect the speaker/LED cable to its connector on the system board.**  
See FIGURE 8-3.
- 6. Thread the CD-ROM SCSI cable and the DC power harness inside the metal cable clips.**  
See FIGURE 8-3.
- 7. Reinstall the CD-ROM drive.**  
See Section 9.2.2 “Replacing the CD-ROM Drive” on page 9-6.
- 8. Detach the wrist strap and replace the cover.**  
See Chapter 7.

**9. Power on the system.**

See Section 6.2 “Powering On the System” on page 6-4.

---

## 8.3 Internal Speaker

### 8.3.1 Removing the Internal Speaker

The speaker cover is held in place by three tabs; two tabs are at the base of the cover and one tab is near the top of the cover (see FIGURE 8-5).

**1. Shut down and power off the system.**

See Section 6.1 “Powering Off the System” on page 6-1.

**2. Remove the cover and attach a wrist strap.**

See Chapter 7.

**3. Locate the two rectangular slots on the underside of the chassis, directly beneath the speaker cover.**

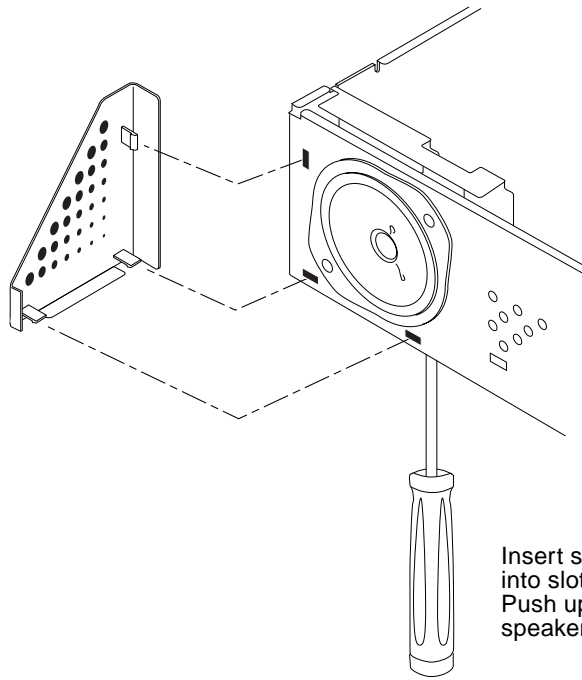
See FIGURE 8-5.

**4. Insert the tip of a small, flat-blade screwdriver into the slot that is furthest from the corner of the chassis.**

See FIGURE 8-5.

**5. Use the screwdriver to push on the tab inside the slot. At the same time, pull slightly on the speaker cover to disengage the tab from the chassis.**

**6. Repeat Step 1 for the second slot.**



Insert small, flat-blade screwdriver into slots on underside of chassis. Push up on tabs to disengage speaker cover.

**FIGURE 8-5** Removing the Speaker Cover

- 7. Use the screwdriver to deflect the third tab, behind the top corner of the speaker cover, and remove the speaker cover.**



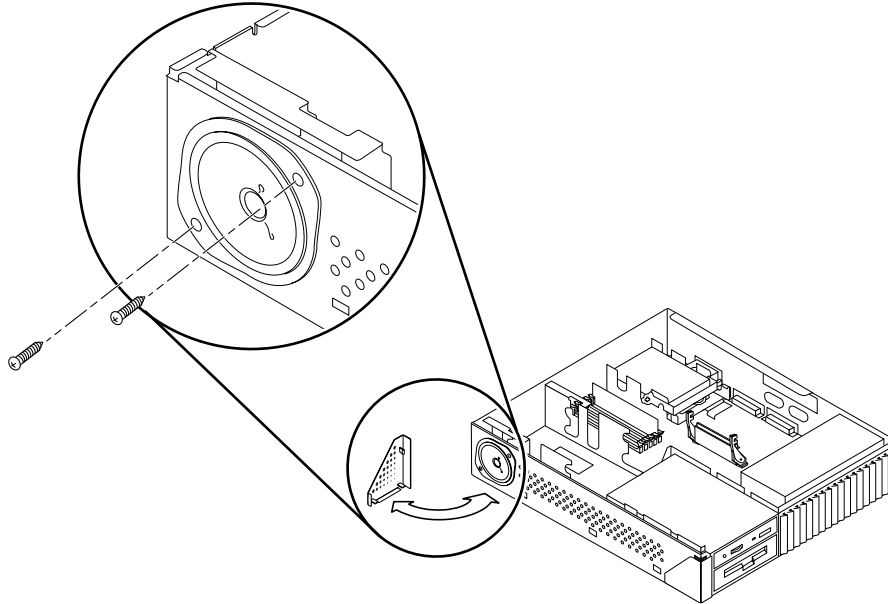
---

**Caution** – Use care when working near or handling the speaker to avoid damaging the speaker surface. Do not touch the diaphragm with tools or your fingers. Grasp the speaker by the metal edges only.

---

- 8. Use a Phillips screwdriver to remove the two screws that secure the speaker to the system chassis.**

See FIGURE 8-6. Save the screws for installing the replacement speaker.



**FIGURE 8-6** Removing the Speaker

**9. Unplug the speaker/LED cable from the system board.**

See FIGURE 8-3.



---

**Caution** – Disconnect the speaker/LED cable from the system board before disconnecting the cable from the speaker. Failure to first disconnect the speaker/LED cable from the system board can result in permanent damage to your system.

---

**10. Hold the speaker in one hand and disconnect the two fast-on connectors from the speaker terminals on the back of the speaker.**

See FIGURE 8-7.

**11. Set the speaker aside.**

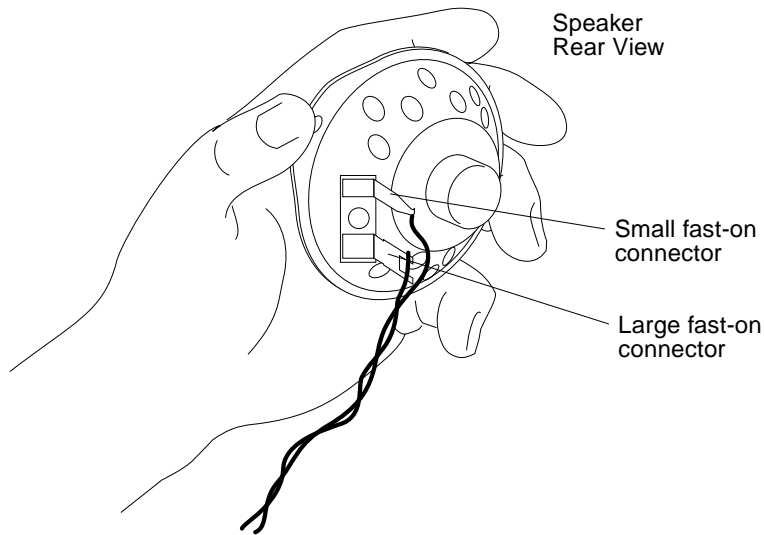


FIGURE 8-7 Speaker Connections

## 8.3.2 Replacing the Internal Speaker



---

**Caution** – Do not touch the black inner surface of the speaker. Handle the speaker only by the metal frame to avoid damage.

---

1. Pull the speaker end of the speaker/LED cable through the speaker opening in the chassis wall.
2. Unpack the replacement speaker.
3. Slide the fast-on connectors at the end of the speaker/LED cable onto the terminals of the replacement speaker.

See FIGURE 8-7.

---

**Note** – One connector and terminal pair is larger than the other. They are sized differently to ensure proper connection.

---

4. Install the speaker within the opening on the left front of the system chassis and secure it with the two screws removed earlier.

See FIGURE 8-6.

- 5. Replace the snap-on corner speaker cover. Firmly press all three tab areas to ensure that the tabs snap securely into the chassis slots.**
- 6. Reconnect the speaker/LED cable to the system board.**  
See FIGURE 8-3.
- 7. Detach the wrist strap and replace the cover.**  
See Chapter 7.
- 8. Power on the system.**  
See Section 6.2 “Powering On the System” on page 6-4.



## Storage Devices

---

This chapter includes information about how to remove and replace the system's internal storage devices and related cables.

- “Hard Disk Drive” on page 1
- “CD-ROM Drive” on page 5
- “Diskette Drive” on page 7
- “CD-ROM SCSI Cable” on page 13
- “Peripherals DC Power Harness” on page 15
- “Diskette Data Cable” on page 16
- “CD-ROM Audio Cable” on page 18

---

### 9.1 Hard Disk Drive

The SPARCstation 4 system accommodates one internal 545-Mbyte or 1.05-Gbyte hard disk drive mounted in the on-board disk drive bracket. A specially designed handle, fastened to the drive, speeds drive removal and installation.

Both types of drive connect via a SCSI ribbon cable to a SCSI data connector on the system board (see FIGURE 10-1 on page 10-2). The SCSI is terminated on the system board.

---

**Note** – Do not remove the handle from the hard drive. It is part of the customer replaceable unit (CRU).

---

FIGURE 9-1 shows the location of the hard drive.

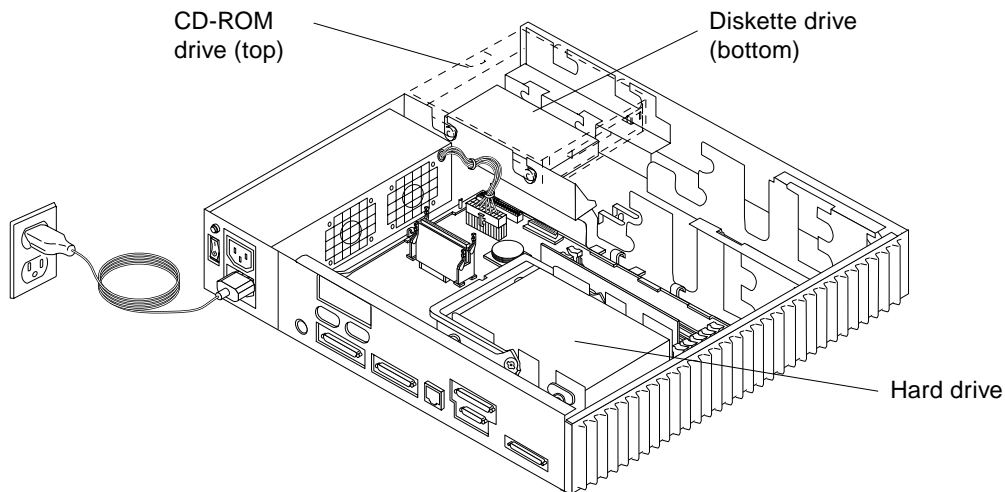


FIGURE 9-1 Drive Locations

## 9.1.1 Removing the Hard Disk Drive

- 1. Shut down and power off the system.**  
See Section 6.1 “Powering Off the System” on page 6-1.
- 2. Remove the cover and attach a wrist strap.**  
See Chapter 7.
- 3. To release the disk drive handle, press the plastic latch located at the end of the drive.**
- 4. Lift the drive handle to its vertical position.**  
When lifted, the drive handle acts as a lever to disengage the drive from its bracket.
- 5. Disconnect the disk drive SCSI cable from the connector at the rear of the drive.**
- 6. Grasp the drive bracket handle and lift the drive straight up and out of the chassis.**  
See FIGURE 9-2. Place the drive on an antistatic surface.

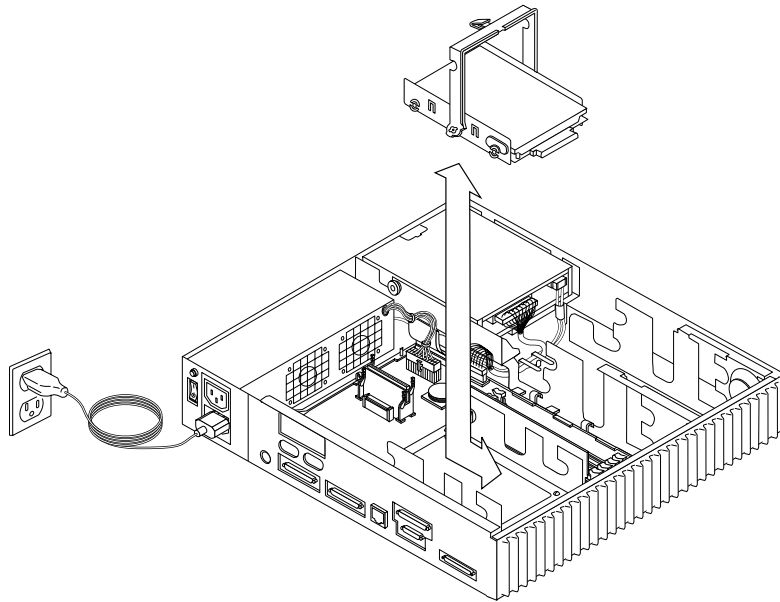


FIGURE 9-2 Removing the Hard Disk Drive

## 9.1.2 Replacing the Hard Disk Drive

---

**Note** – No jumper settings are required for the hard drive. The SCSI ID and termination are provided by the system board.

---

1. Remove the replacement drive from its antistatic shipping bag.
2. Release the handle latch near the rear of the drive and lift the handle until it is in the vertical position.
3. Grasp the drive bracket handle with one hand; with your other hand, hold the drive steady. Maintain the drive in a horizontal position and lower it into the drive bracket.  
See FIGURE 9-3. Make sure that the drive is properly seated in the drive bracket side-rail mounting slots.
4. Connect the disk drive SCSI cable to the rear of the drive and to the system board disk drive connector.

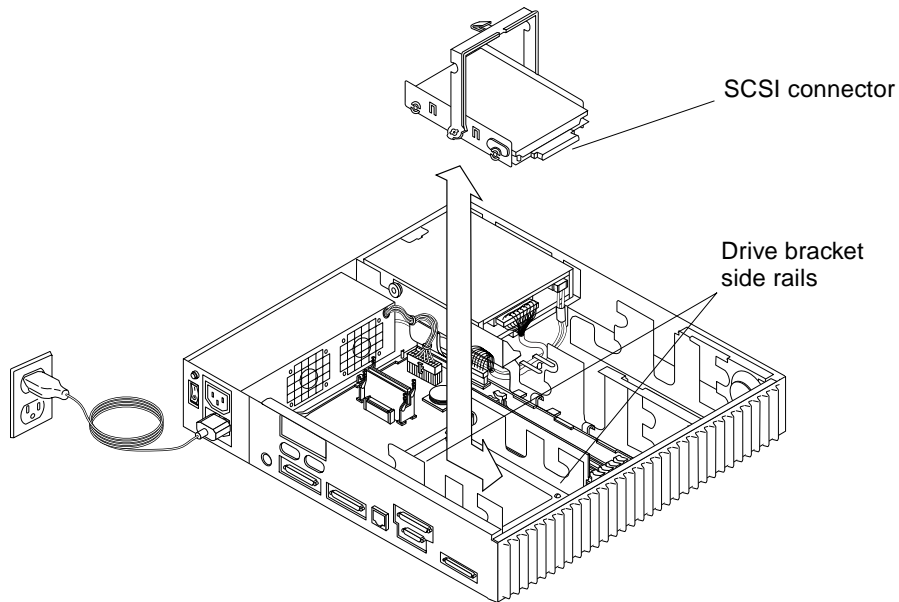
5. **Push the drive bracket handle down toward the end opposite the connector until the handle locks into the clip at the end of the drive bracket.**

See FIGURE 9-3.

---

**Note** – Do not force the handle. If the handle does not move easily into the latched position, remove the drive and try again.

---



**FIGURE 9-3** Replacing the Disk Drive

6. **Detach the wrist strap and replace the cover.**

See Chapter 7.

7. **Power on the system.**

See Section 6.2 “Powering On the System” on page 6-4.

---

## 9.2 CD-ROM Drive

### 9.2.1 Removing the CD-ROM Drive

**1. Shut down and power off the system.**

See Section 6.1 “Powering Off the System” on page 6-1.

**2. Remove the cover and attach a wrist strap.**

See Chapter 7.

**3. Disconnect the CD-ROM SCSI, DC power, and audio cable (if present) from the CD-ROM drive.**

Leave the cables plugged in to the system board.

**4. Push the CD-ROM drive toward the edge of the chassis to disengage it.**

See FIGURE 9-4.

**5. Lift the drive out of the chassis and place it on an antistatic surface.**

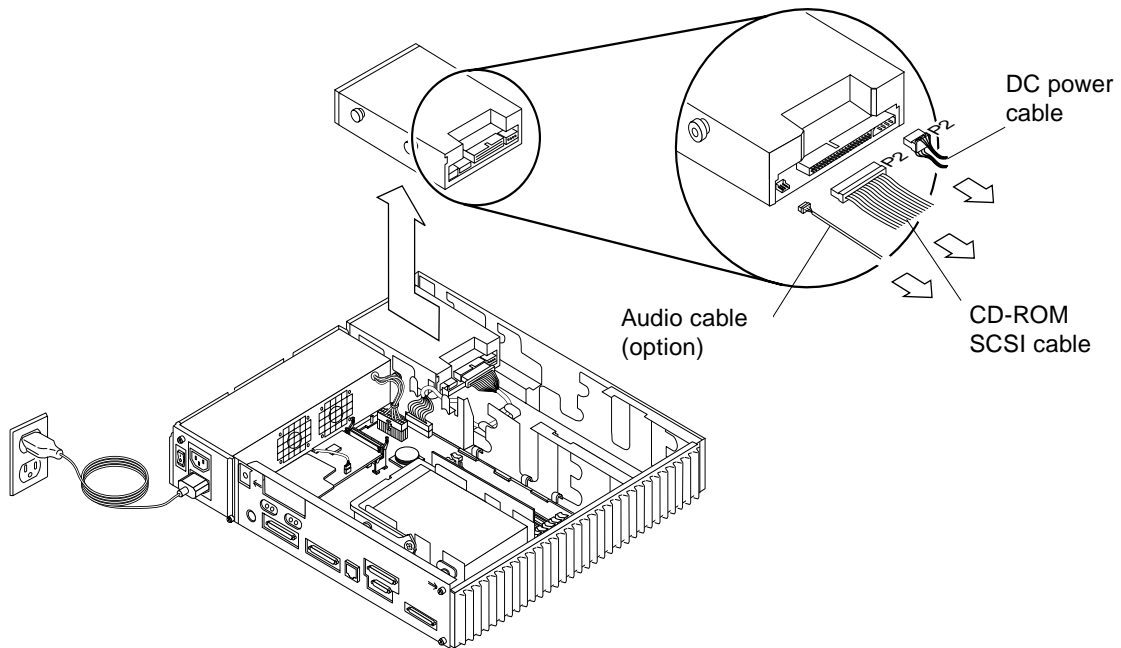


FIGURE 9-4 Removing the CD-ROM Drive

## 9.2.2 Replacing the CD-ROM Drive

### 1. Remove the replacement CD-ROM drive from its antistatic bag.

All necessary brackets and grommets are installed on the CD-ROM drive when it is shipped to you.

### 2. Make sure that the jumper settings on the replacement drive match those shown in FIGURE 9-5.

Jumpers should be present for ID4, ID2, and Term power; all other jumpers should be removed.

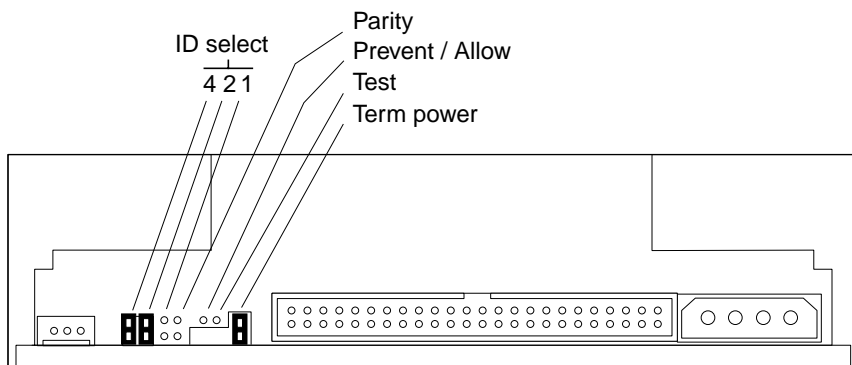


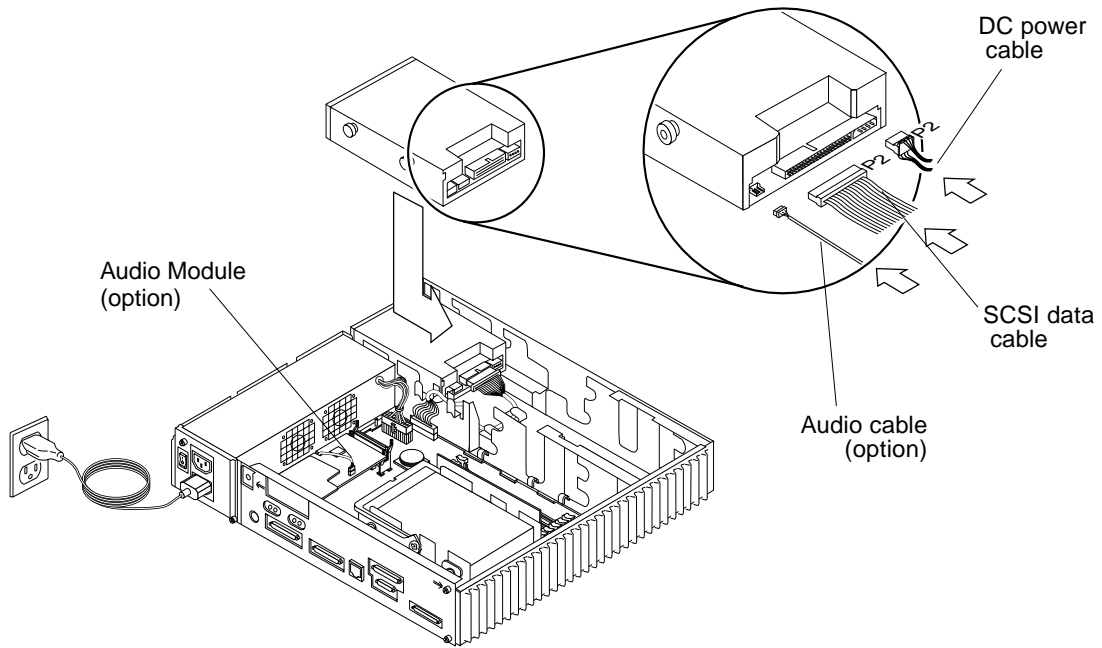
FIGURE 9-5 Jumper Settings for the CD-ROM Drive

### 3. Install the drive as shown in FIGURE 9-6.

The CD-ROM drive sits on the shelf above the diskette drive. Push the drive toward the center of the unit so that the grommets lock into place.

### 4. Attach the CD-ROM SCSI cable (labeled P2), the DC power (also labeled P2), and the audio cable (if present) to the drive.

See FIGURE 9-6.



**FIGURE 9-6** Replacing the CD-ROM Drive

**5. Detach the wrist strap and replace the cover.**

See Chapter 7.

**6. Power on the system.**

See Section 6.2 “Powering On the System” on page 6-4.

---

## 9.3 Diskette Drive

The diskette drive is located under the CD-ROM drive, adjacent to the power supply. In order to remove or install the diskette drive, you must first remove the CD-ROM drive if it is present. FIGURE 9-7 shows the location of each drive.

The diskette drive is not a SCSI device. The other drives in your system are SCSI devices—such as the CD-ROM drive and the hard disk drive. The diskette drive connects to an 8-bit internal bus in the SPARCstation 4 system.

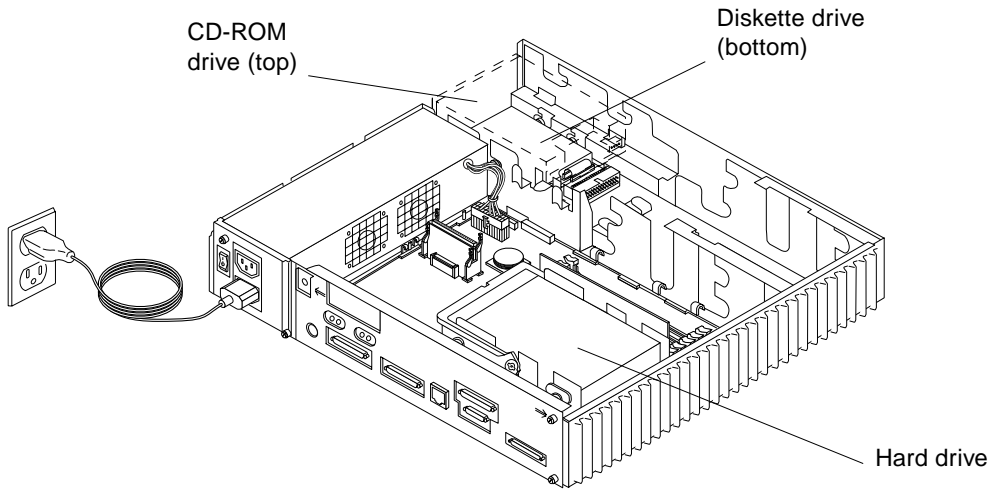


FIGURE 9-7 Diskette Drive Location

### 9.3.1 Removing the Diskette Drive

**1. Shut down and power off the system.**

See Section 6.1 “Powering Off the System” on page 6-1.

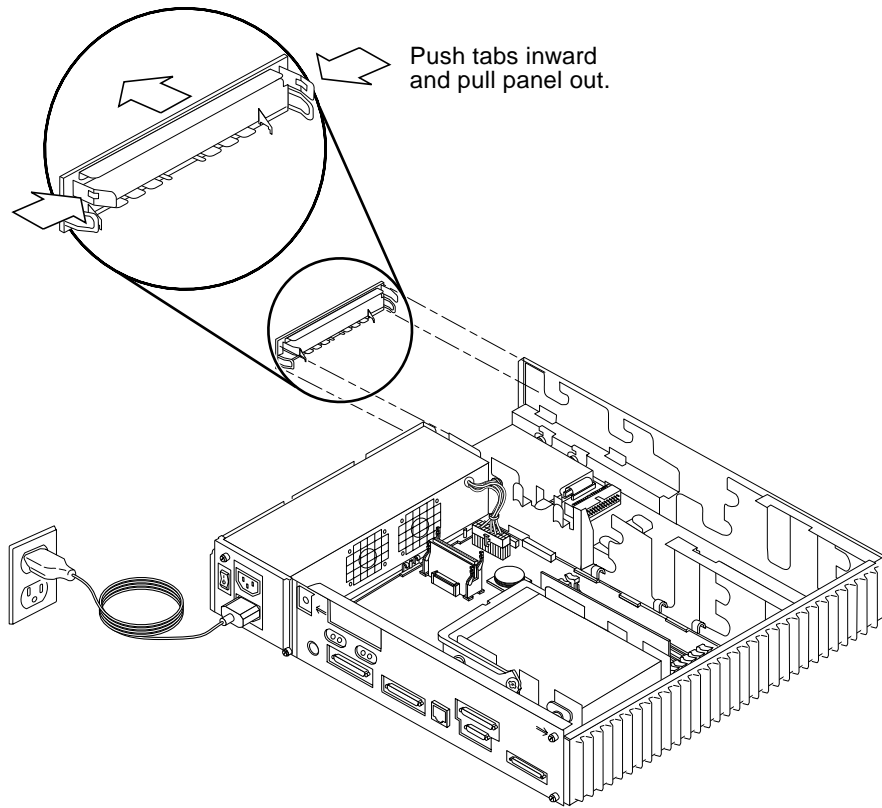
**2. Remove the cover and attach a wrist strap.**

See Chapter 7.

**3. If the CD-ROM drive is not installed, remove the CD-ROM filler panel as shown in FIGURE 9-8. If the CD-ROM drive is installed, remove it.**

See Section 9.2.1 “Removing the CD-ROM Drive” on page 9-5, if you need to remove the CD-ROM drive.

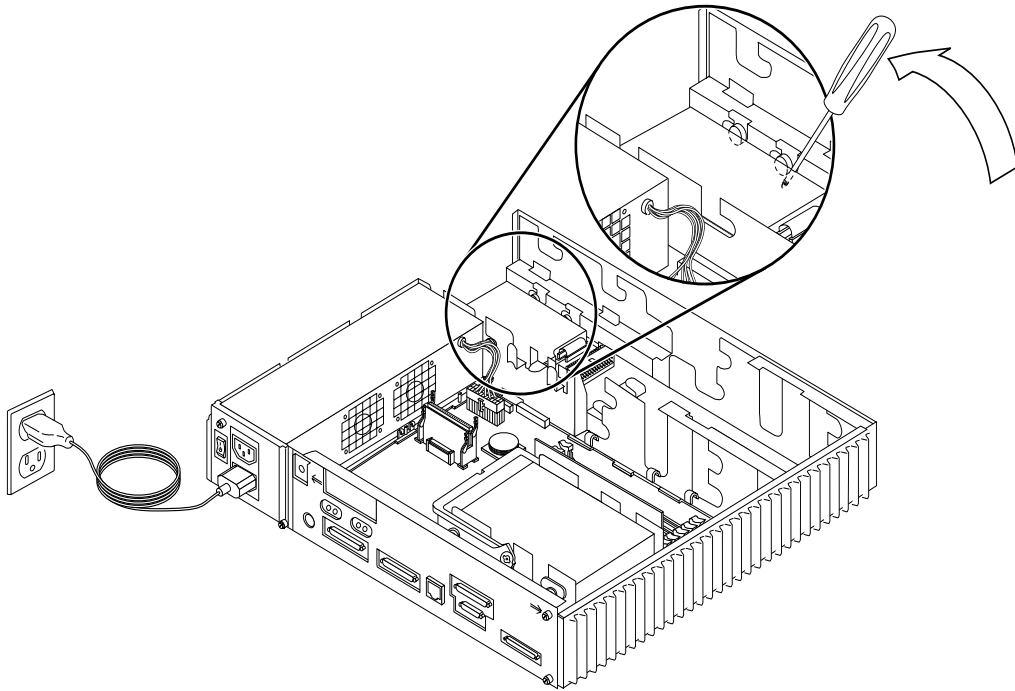




**FIGURE 9-8** Removing the CD-ROM Filler Panel

- 4. Remove the diskette drive filler panel (if present) in the same way as you remove the CD-ROM filler panel, as shown in FIGURE 9-8. If the diskette drive is installed, push the diskette drive toward the center of the chassis to disengage it.**

Do not push on the drive's front bezel. You may need to use a screwdriver for leverage. Use the screwdriver to push on the drive grommets as shown in FIGURE 9-9.



**FIGURE 9-9** Disengaging the Diskette Drive

- 5. Lift the diskette drive out of the drive bracket. Holding the drive in one hand, detach the diskette data and DC power cables from the drive with your other hand.**

See FIGURE 9-10.

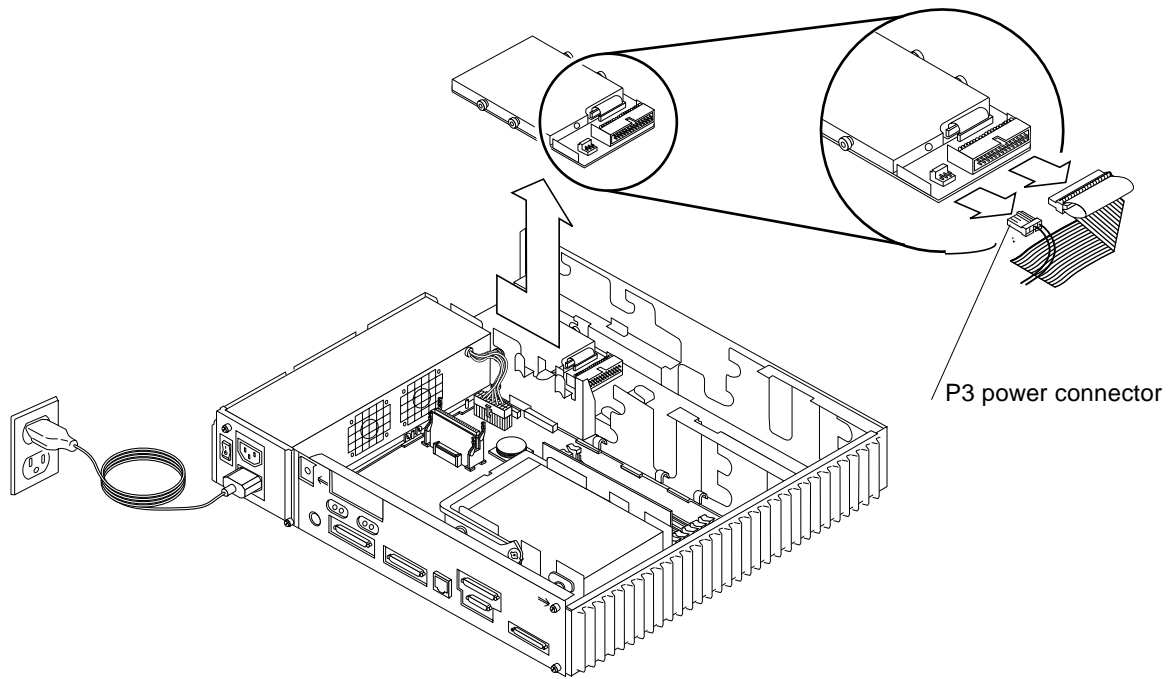


FIGURE 9-10 Removing the Diskette Drive

6. Lift the diskette drive out of the chassis and place it on an antistatic mat.

## 9.3.2 Replacing the Diskette Drive

1. Remove the new diskette drive and its related parts from the antistatic bag, and place them on an antistatic surface.  
Read the diskette drive specifications sheet for related installation information.
2. Hold the diskette data cable by the end that has the single bend, and feed the connector through the opening in the drive bracket wall.
3. Hold the diskette data cable by the end that has the double fold, and plug in the connector to the system board.  
Adjust the single end of the diskette data cable until it is flat and extended under the first metal clip on the chassis floor.
4. Hold the diskette drive in one hand, and lower it far enough into the chassis to connect the cables to the back of the drive.

5. **Attach the diskette data cable and the DC power cable (labeled P3) to the drive connectors.**

See FIGURE 9-10.

6. **Lower the drive grommets into their corresponding slots in the side rails, and slide the drive until it is fully secured in the bracket.**

See FIGURE 9-10.

7. **Install the diskette drive outer filler panel by inserting the bottom tabs into the corresponding slots in the chassis, and rotating the panel upward into position.**

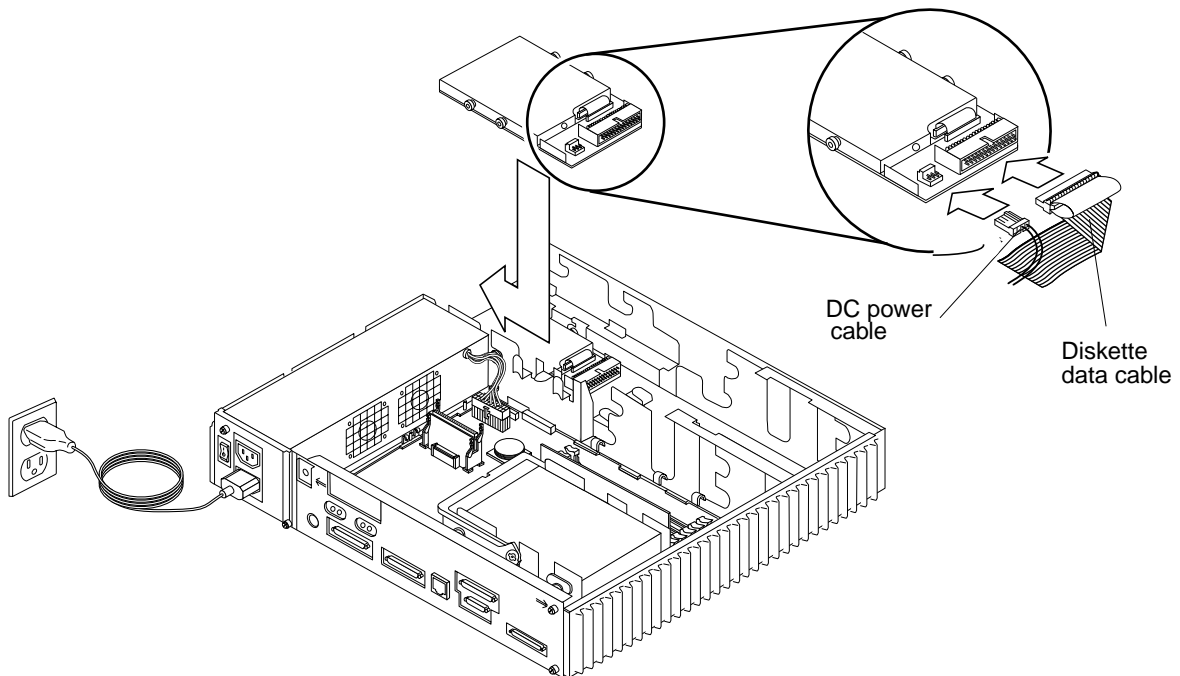


FIGURE 9-11 Replacing the Diskette Drive

8. **If there is a CD-ROM drive, reinstall it. Otherwise, replace the CD-ROM drive filler panel.**

See FIGURE 9-8. If you need to reinstall the CD-ROM drive, see Section 9.2.2 “Replacing the CD-ROM Drive” on page 9-6.

9. **Detach the wrist strap and replace the cover.**

See Chapter 7.

10. **Power on the system.**

See Section 6.2 “Powering On the System” on page 6-4.

---

## 9.4 CD-ROM SCSI Cable

### 9.4.1 Removing the CD-ROM SCSI Cable

1. **Shut down and power off the system.**  
See Section 6.1 “Powering Off the System” on page 6-1.
2. **Detach all external cables from the rear panel except the power cord.**
3. **Remove the cover and attach a wrist strap.**  
See Chapter 7.
4. **Unplug the SCSI data connector (P1), from the system board.**

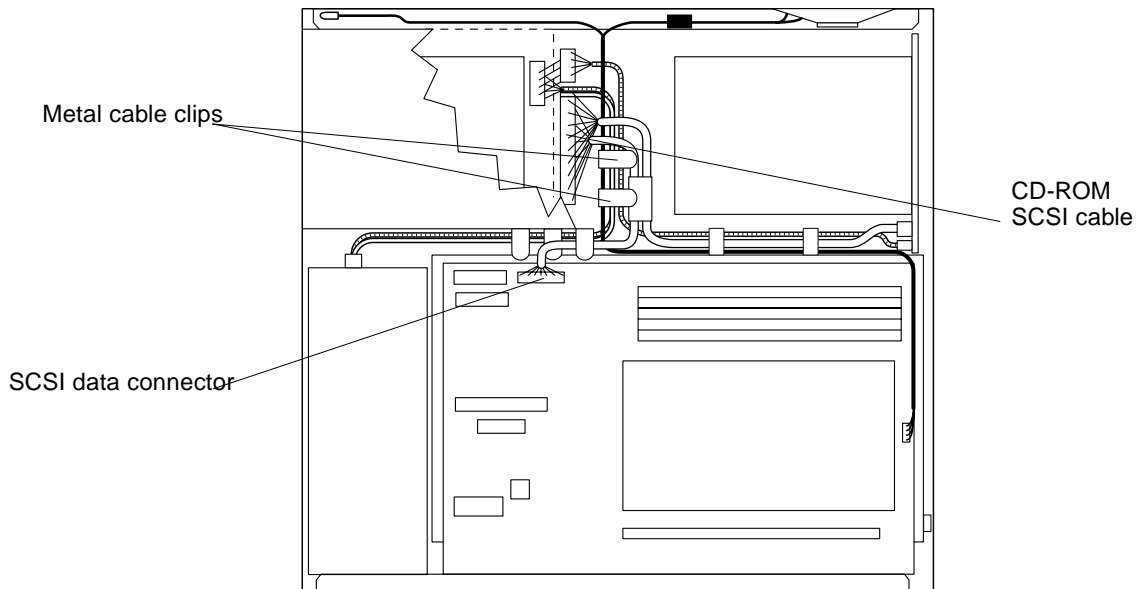


FIGURE 9-12 System Board Cable Connections

5. **Remove the CD-ROM drive.**  
See Section 9.2.1 “Removing the CD-ROM Drive” on page 9-5.
6. **Free the CD-ROM SCSI cable, and carefully remove it from the chassis.**  
See FIGURE 9-12.

## 9.4.2 Replacing the CD-ROM SCSI Cable

The internal SCSI cable is a two-connector cable with connectors labeled P1 and P3. When properly installed, the P1 cable of the assembly is connected to the system board, and the P3 connector to the CD-ROM drive (if installed).

### 1. Reconnect the SCSI cable connector (labeled P1) to the system board.

See FIGURE 9-13.

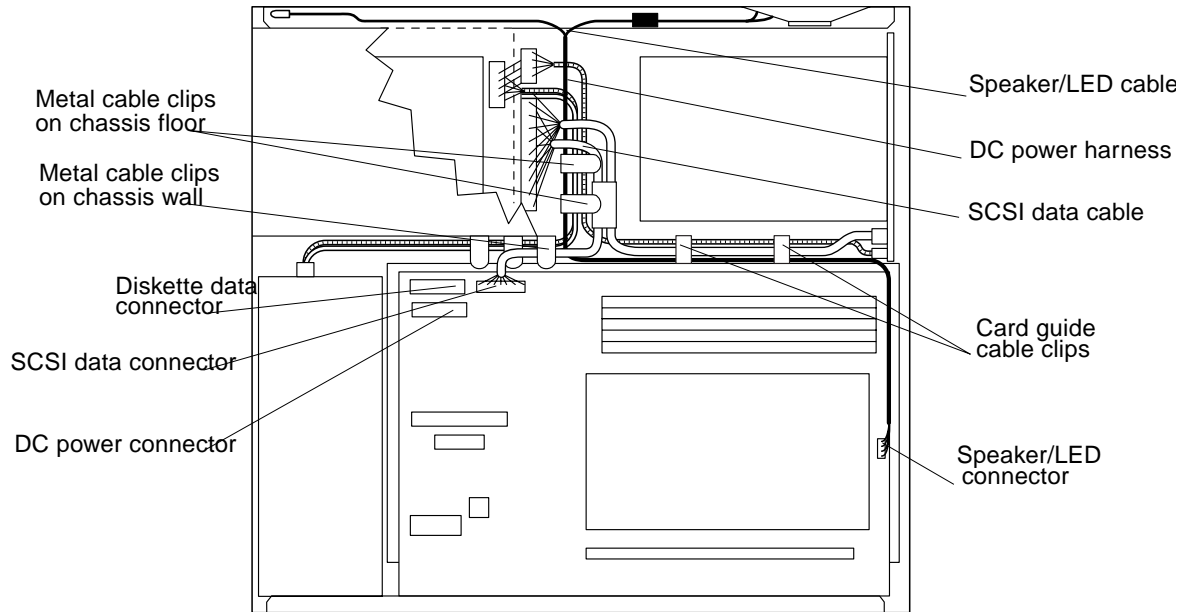


FIGURE 9-13 Internal Cable Routing

### 2. Reinstall the CD-ROM drive.

See Section 9.2.2 “Replacing the CD-ROM Drive” on page 9-6.

### 3. Connect the SCSI cable connector (P3) to the CD-ROM drive.

The cable connects directly to the CD-ROM drive around the chassis wall.

### 4. Detach the wrist strap and replace the cover.

See Chapter 7.

### 5. Power on the system.

See Section 6.2 “Powering On the System” on page 6-4.

---

## 9.5 Peripherals DC Power Harness

### 9.5.1 Removing the Peripherals DC Power Harness

**1. Shut down and power off the system.**

See Section 6.1 “Powering Off the System” on page 6-1.

**2. Remove the cover and attach a wrist strap.**

See Chapter 7.

**3. Remove the CD-ROM drive (if present).**

See Section 9.2.1 “Removing the CD-ROM Drive” on page 9-5.

**4. Disconnect the DC power harness from the diskette drive (if present).**

**5. Remove the power supply.**

See Section 8.1.1 “Removing the Power Supply” on page 8-1.

**6. Disconnect the DC power harness from the power supply, and carefully remove the harness from the system chassis.**

Note how the harness is routed from the power supply through the chassis wall to the area behind the diskette drive.

### 9.5.2 Replacing the Peripherals DC Power Harness

**1. Route the P1 connector through the drive bracket chassis wall so that the P2 and P3 connectors are at the rear of the diskette drive area.**

**2. Connect the DC power harness connector (labeled P1) to the rear of the power supply.**

**3. Reinstall the power supply.**

See Section 8.1.2 “Replacing the Power Supply” on page 8-3.

**4. Connect the DC power harness to the diskette drive (if present).**

**5. Reinstall the CD-ROM drive (if present).**

See Section 9.2.2 “Replacing the CD-ROM Drive” on page 9-6.

**6. Reconnect the DC power harness connector (labeled P2) to the CD-ROM drive.**

**7. Detach the wrist strap and replace the cover.**

See Chapter 7.

**8. Power on the system.**

See Section 6.2 “Powering On the System” on page 6-4.

---

## 9.6 Diskette Data Cable

### 9.6.1 Removing the Diskette Data Cable

**1. Shut down and power off the system.**

See Section 6.1 “Powering Off the System” on page 6-1.

**2. Remove the cover and attach a wrist strap.**

See Chapter 7.

**3. Remove the CD-ROM drive (if present).**

See Section 9.2.1 “Removing the CD-ROM Drive” on page 9-5.

**4. Unplug the diskette data cable from the diskette drive and from the system board.**

**5. Note how the diskette data cable is routed, and then carefully remove it from the chassis.**

See FIGURE 9-14.



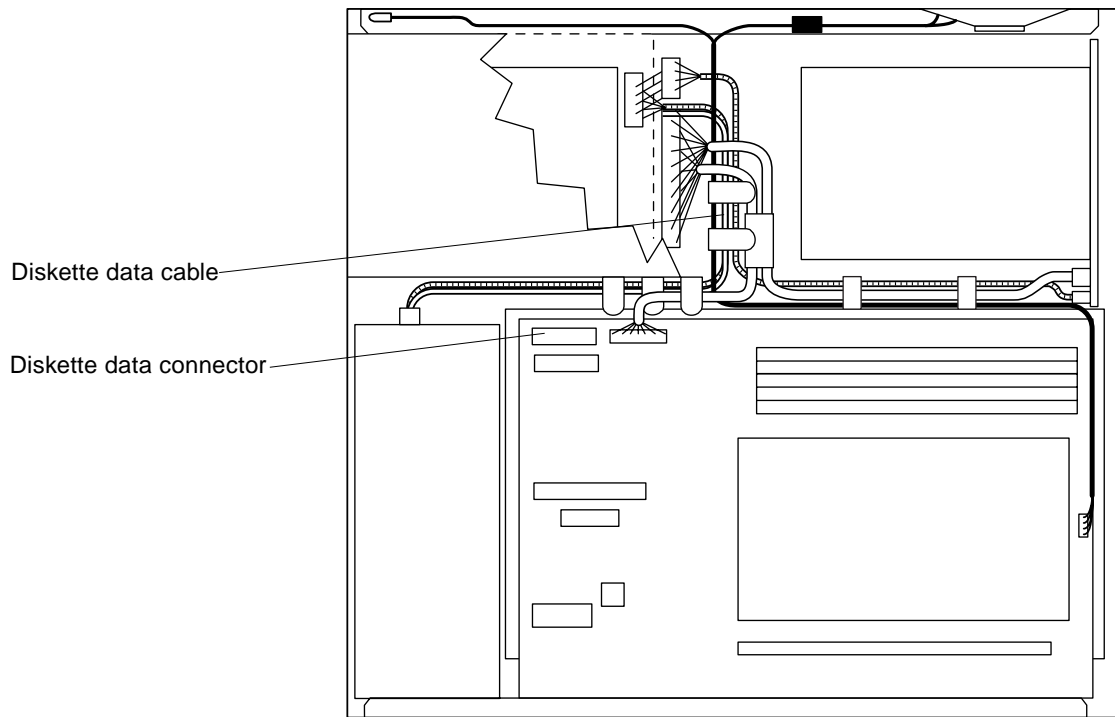


FIGURE 9-14 Diskette Data Cable Routing

## 9.6.2 Replacing the Diskette Data Cable

1. **Route the replacement diskette data cable in the same manner as the defective cable that you just removed.**

The cable should run under the first metal cable clip in the chassis floor.

2. **Connect the diskette data cable to its connector on the system board.**

See Section 9.3.2 “Replacing the Diskette Drive” on page 9-11.

3. **Install the diskette drive.**

See Section 9.3.2 “Replacing the Diskette Drive” on page 9-11.

4. **Connect the DC power harness (labeled P3) and the new diskette data cable to the diskette drive.**

5. **Install the CD-ROM drive (if necessary).**

See Section 9.2.2 “Replacing the CD-ROM Drive” on page 9-6.

**6. Detach the wrist strap and replace the cover.**

See Chapter 7.

**7. Power on the system.**

See Section 6.2 “Powering On the System” on page 6-4.

---

## 9.7 CD-ROM Audio Cable

### 9.7.1 Removing the Audio Cable

**1. Shut down and power off the system.**

See Section 6.1 “Powering Off the System” on page 6-1.

**2. Remove the cover and attach a wrist strap.**

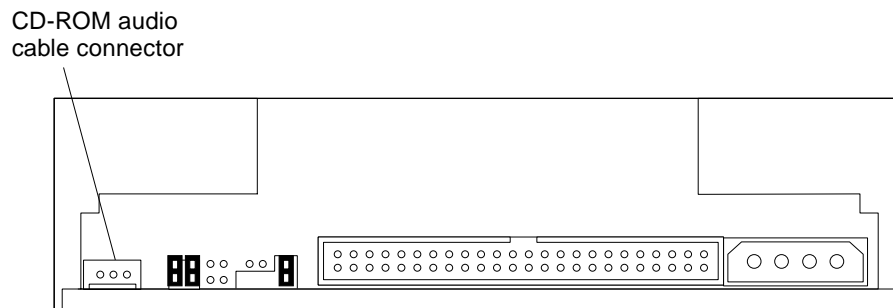
See Chapter 7.

**3. Remove the SBus card (if present).**

See Section 11.1.1 “Removing the SBus Card” on page 11-2.

**4. Unplug the CD-ROM audio cable from the back of the CD-ROM drive.**

See FIGURE 9-15.



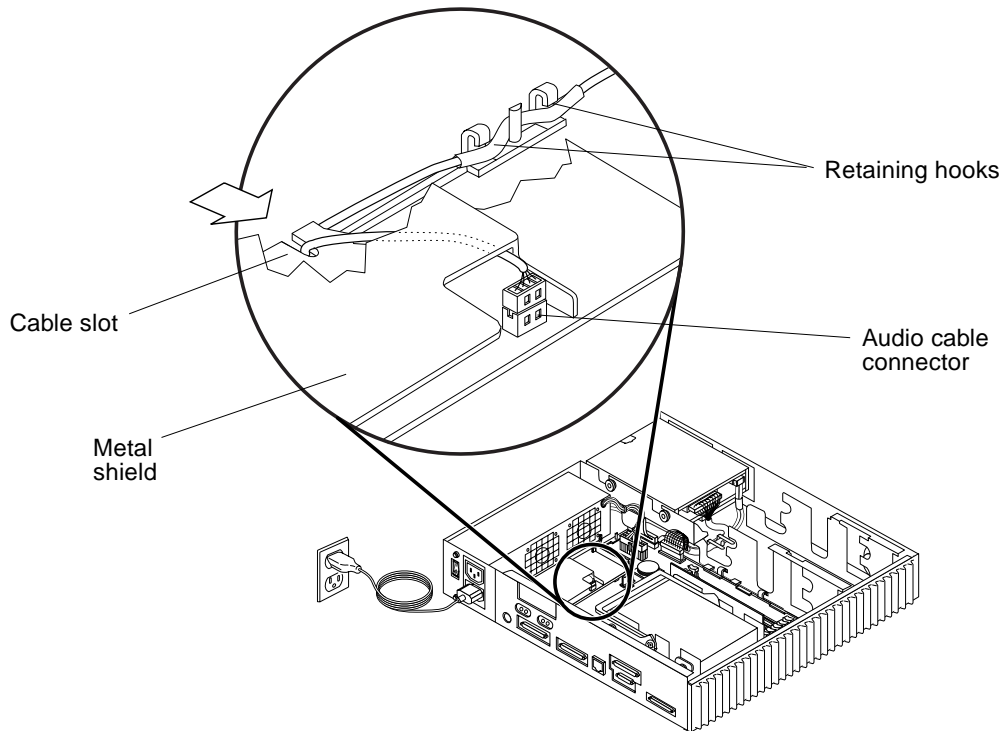
**FIGURE 9-15** Audio Cable Connector on the CD-ROM Drive

**5. Free the audio cable from the slot on the side of the Audio Module, and from under the retaining hooks on the board guide.**

See FIGURE 9-16.

**6. Disconnect the audio cable from the connector on the Audio Module.**

Gently pull the audio cable from underneath the Audio Module metal shield, ensuring that the audio cable connector does not snag on any Audio Module component. See FIGURE 9-16.



**FIGURE 9-16** Removing the Audio Cable From the Audio Module

**7. From the system board, disconnect the power supply cable, the SCSI cable, and the diskette drive cable (if present).**

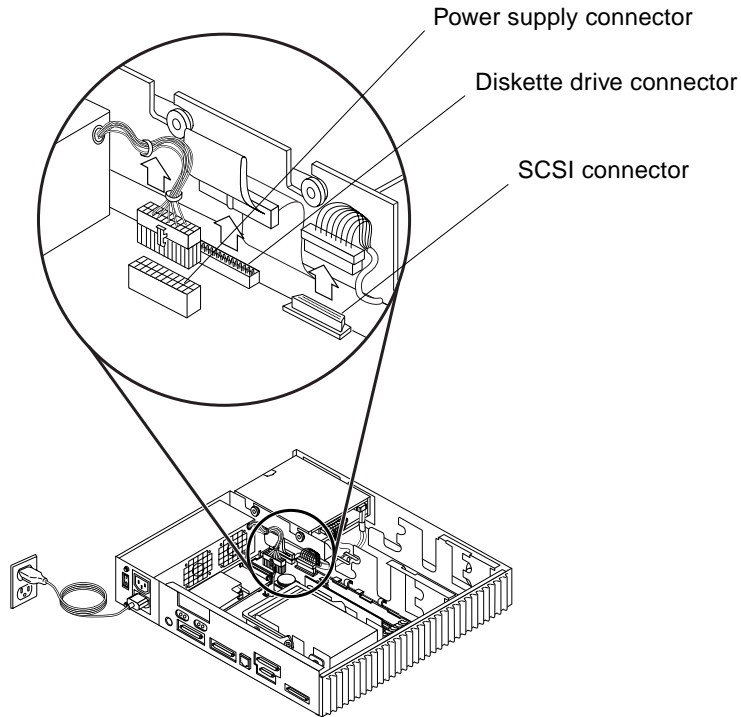


FIGURE 9-17 Disconnecting the System Board Connectors

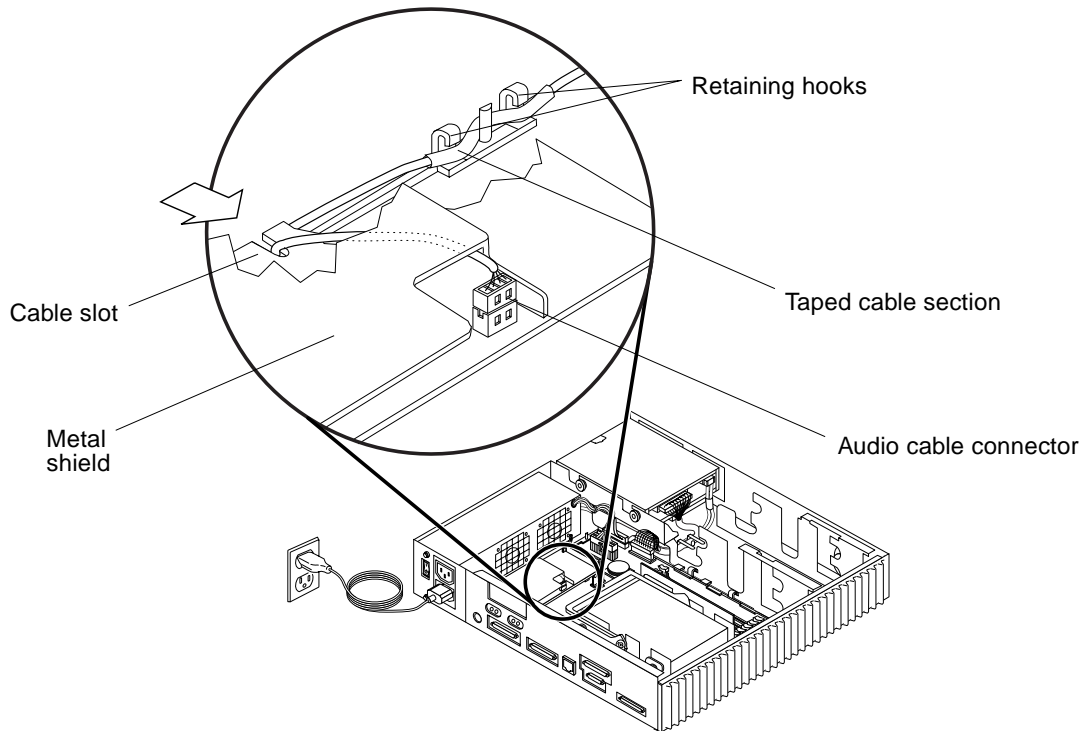
8. Remove the audio cable from the system.

## 9.7.2 Replacing the Audio Cable

1. Feed the CD-ROM audio cable beneath the metal shield and connect it to its matching Audio Module connector.

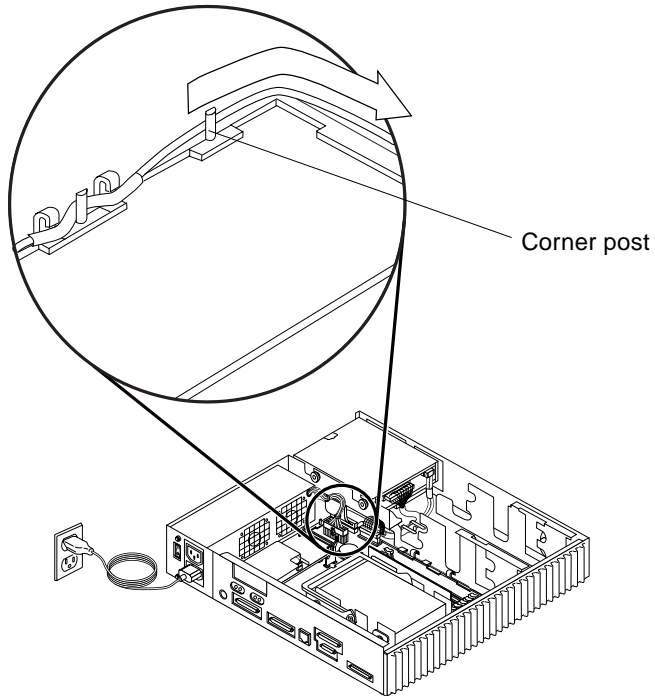
See FIGURE 9-18. The connectors are keyed to install in one way only.

2. Secure the audio cable in the retaining hooks on the card guide.  
Center the taped part of the cable between the retaining hooks.
3. Press the audio cable into the slot on the side of the Audio Module.



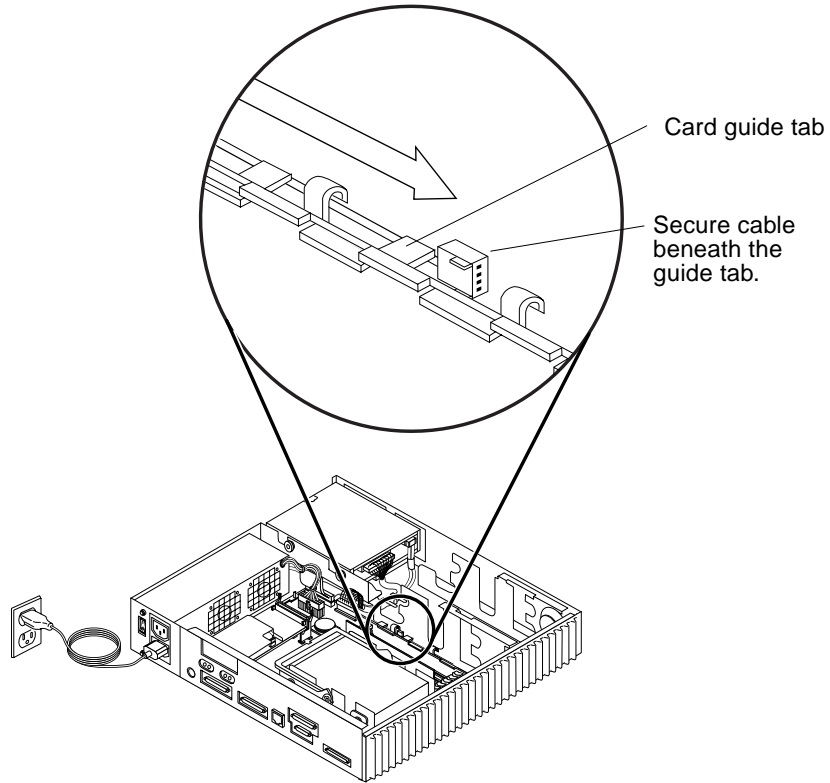
**FIGURE 9-18** Pressing the Audio Cable Into the Cable Slot

- 4. Feed the Audio Module cable around the corner post of the card guide.**



**FIGURE 9-19** Routing the Audio Cable Around the Corner Post

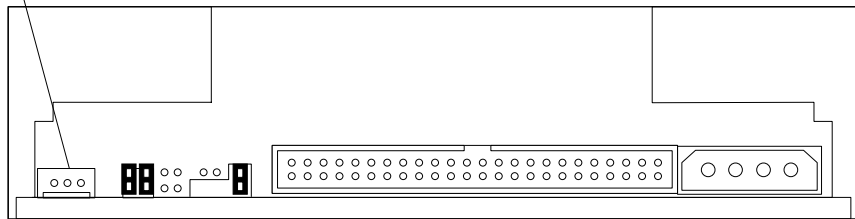
- 5. If you have a CD-ROM drive, go to Step 1. Otherwise, secure the audio cable under the card guide.**



**FIGURE 9-20** Securing the Audio Cable

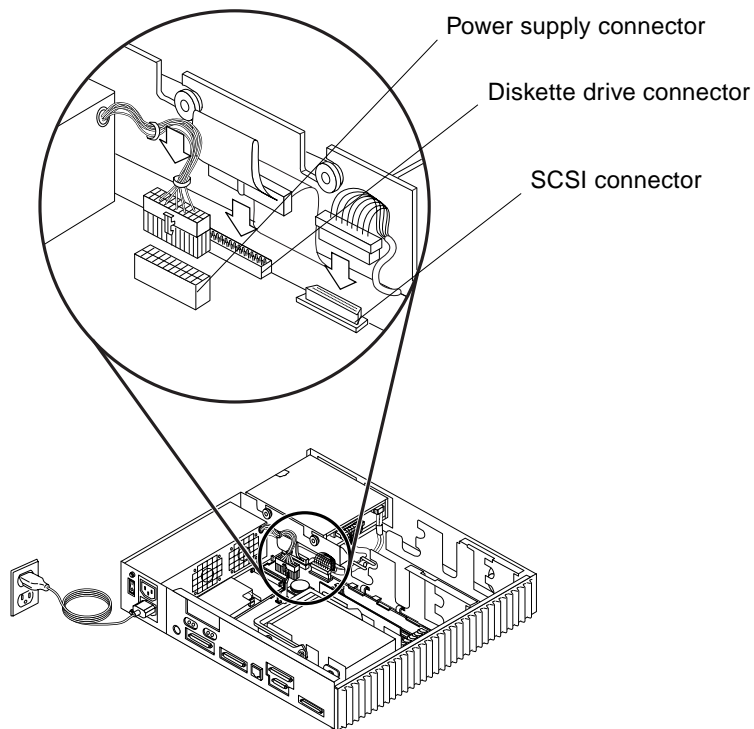
- 6. If you have a CD-ROM drive, connect the audio cable to the CD-ROM drive audio cable connector.**

CD-ROM audio  
cable connector



**FIGURE 9-21** CD-ROM Audio Cable Connector

7. **Reconnect the diskette drive, SCSI, and power supply cables to the main logic board.**



**FIGURE 9-22** Reconnecting the Main Logic Board Connectors

8. **If you removed an SBus card earlier, replace it now.**  
See Section 11.1.2 "Replacing the SBus Card" on page 11-5.
9. **Detach the wrist strap and replace the cover.**  
See Chapter 7.
10. **Power on the system.**  
See Section 6.2 "Powering On the System" on page 6-4.



## System Board Overview

---

This chapter describes precautions you should take when handling the system board. It also shows the layout of the system board and identifies the replaceable components of the system board.

- “Damage Prevention” on page 1
- “Handling System Boards and Assemblies” on page 1
- “System Board Layouts” on page 2
- “Replaceable System Board Components” on page 3

---

### 10.1 Damage Prevention



---

**Caution** – Use an antistatic mat when working with the system board. An antistatic mat contains the amount of cushioning needed to protect the underside components, to prevent board flexing, and to provide antistatic protection. Part numbers for antistatic mats from Sun Microsystems are listed in Chapter 12.

---

---

### 10.2 Handling System Boards and Assemblies



---

**Caution** – The system chassis power switch must be set to Standby, and the AC power cord must remain plugged in to ensure a proper ground.

---



---

**Caution** – Hot surface. Surfaces are hot and may cause personal injury if touched. Avoid contact.

---



---

**Caution** – The system board and related modules and cards have surface-mount components that may break if the board is flexed.

---

To minimize the amount of board flexing, observe the following precautions:

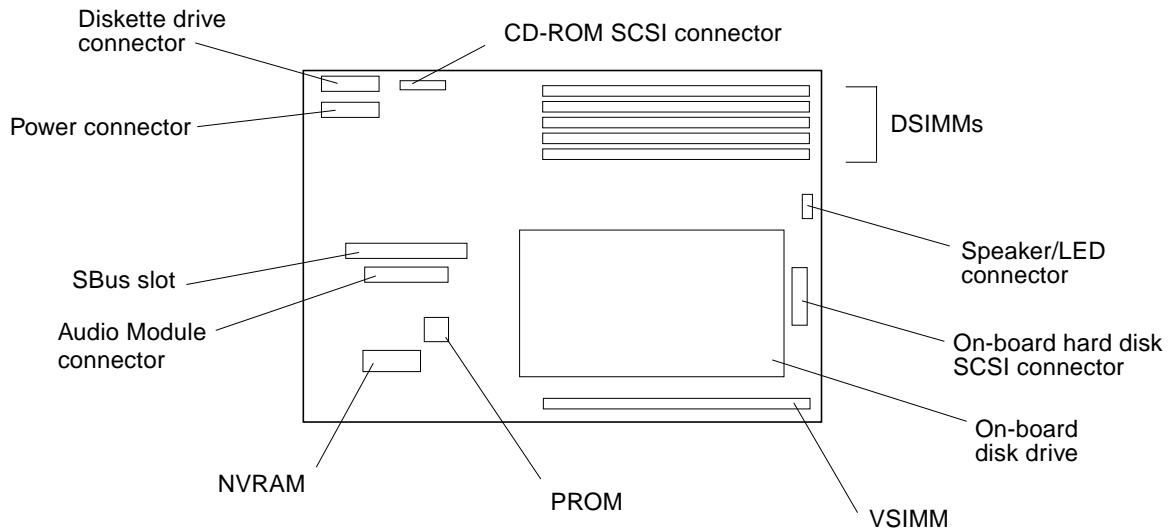
- Hold the system board only by the edges.
- Do not place the system board, SBus cards, DSIMMs, or chips on a hard surface. Use a cushioned antistatic mat. See Chapter 12.
- Transport the board in an antistatic bag.

Protect yourself and the equipment by observing the safety precautions described in Chapter 5.

---

## 10.3 System Board Layouts

FIGURE 10-1 shows the major components on the SPARCstation 4 system board.



**FIGURE 10-1** SPARCstation 4 System Board

---

## 10.4 Replaceable System Board Components

The following system board components are replaceable:

- DSIMMs
- VSIMM
- Audio Module
- SBus card
- NVRAM
- System board

Chapter 11, describes how to remove and replace these components.



# System Board and Component Replacement

This chapter describes how to remove, replace, and configure the system board and its replaceable parts.

- “SBus Card” on page 1
- “Audio Module” on page 7
- “DSIMMs” on page 16
- “VSIMM” on page 20
- “System Board” on page 24
- “NVRAM” on page 30

## 11.1 SBus Card

The system board has a single slot for an SBus card (see FIGURE 11-1).

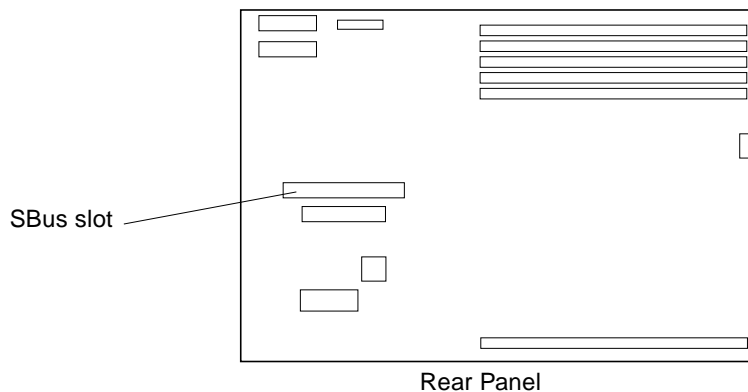


FIGURE 11-1 SBus Slot Location

An SBus card extractor is included with all SBus card CRUs. You must remove the extractor from the replacement card and install it on the defective card. Then use the SBus card extractor to remove the defective card from the system unit.

If you need to remove an SBus card temporarily, and you do not have a replacement card, try to find an extractor from some other source. If an extractor is not available, place both thumbs beneath the corners of the card where it connects to the system board. Carefully push upward with your thumbs until the card disconnects from the system board.

## 11.1.1 Removing the SBus Card

### 1. Shut down and power off the system.

See Section 6.1 “Powering Off the System” on page 6-1.

### 2. Remove the cover and attach a wrist strap.

See Chapter 7.

### 3. Push the upper card retainers back from the edge of the SBus card.

The SBus card is installed in the upper level.

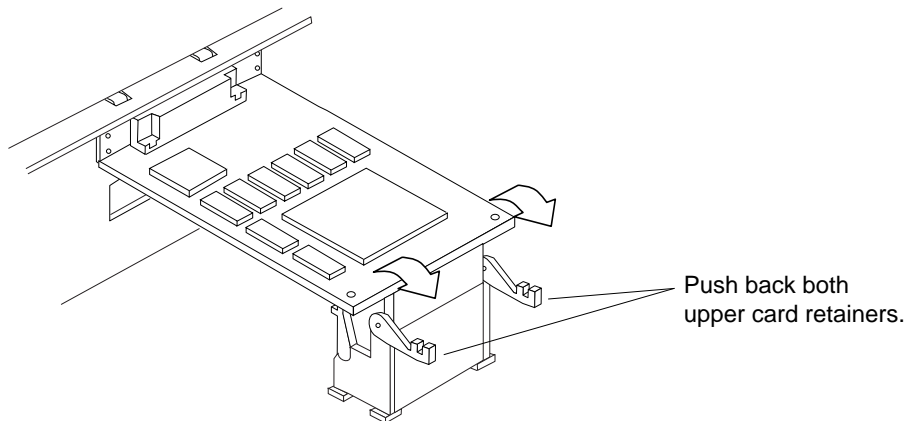
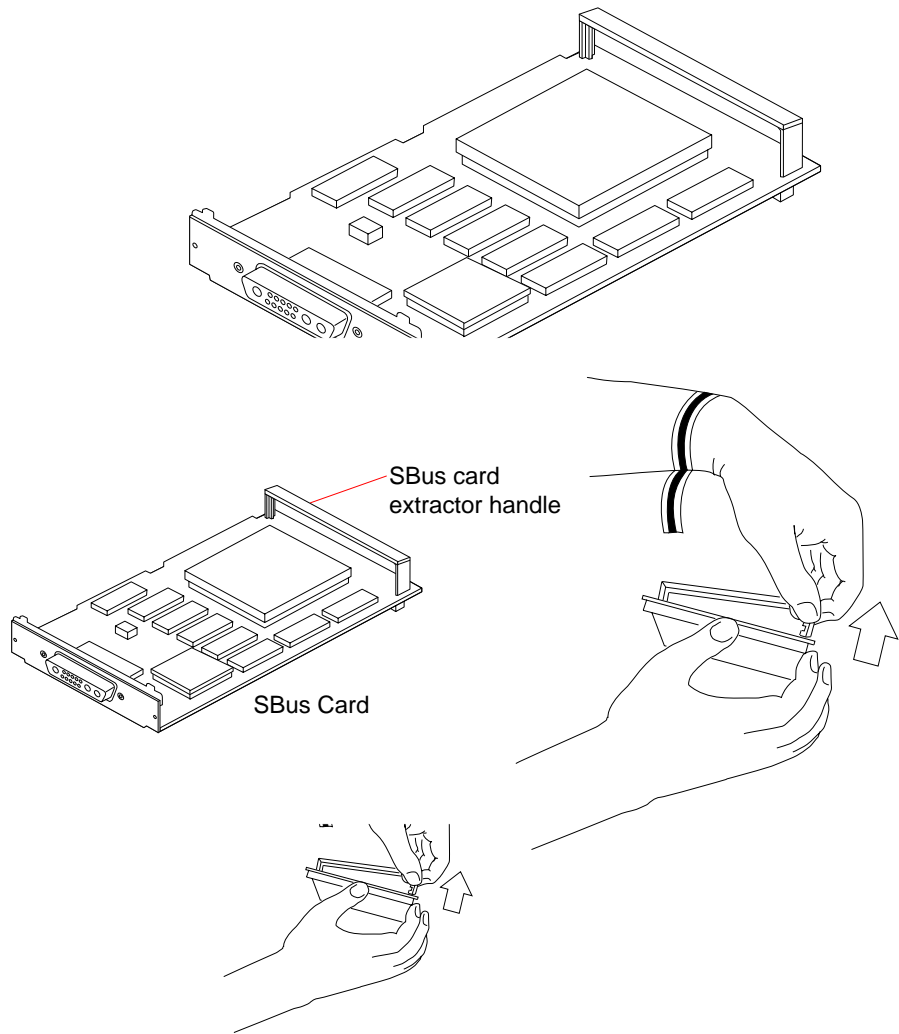


FIGURE 11-2 Opening the SBus Card Retainers

### 4. Remove the SBus card extractor handle from the replacement SBus card.

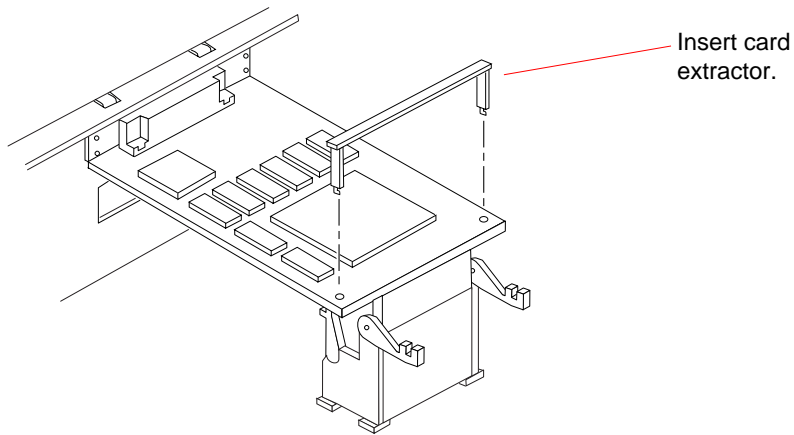
a. Bend one leg of the extractor handle slightly to the outside until the hook clears the hole in the SBus card.

b. Remove the other side of the extractor handle, which should come out easily without bending it.



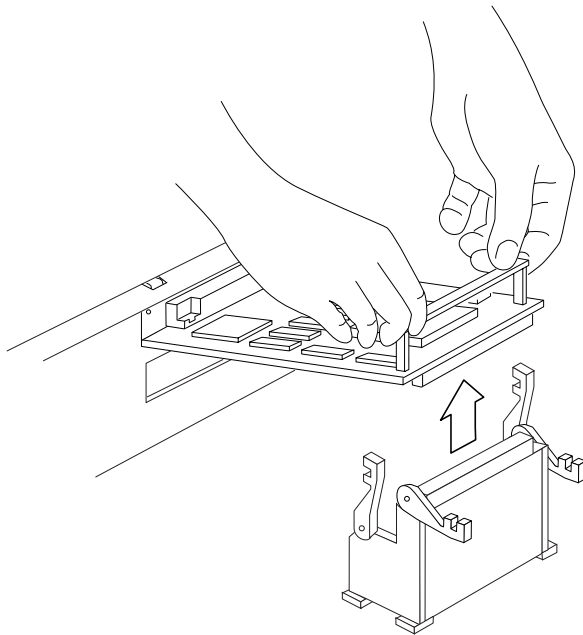
**FIGURE 11-3** Removing the Extractor Handle From an SBus Card

- 5. Insert the legs of the card extractor into the holes on the installed SBus card.**



**FIGURE 11-4** Installing the SBus Card Extractor

- 6. Hold both ends of the card extractor. Pull upward slowly and evenly until the card is disconnected.**



**FIGURE 11-5** Removing the SBus Card

- 7. Remove the card extractor from the SBus card (refer to Step 1).**
- 8. Place the SBus card on an antistatic surface.**



## 11.1.2 Replacing the SBus Card

**1. If required for your card, set the jumpers or switches on the replacement card.**  
See the manual accompanying your SBus product, or duplicate the settings on the defective card.

**2. If the new SBus card has an adapter bracket with tabs, unscrew the retaining screws and discard the adapter bracket before installing the card.**

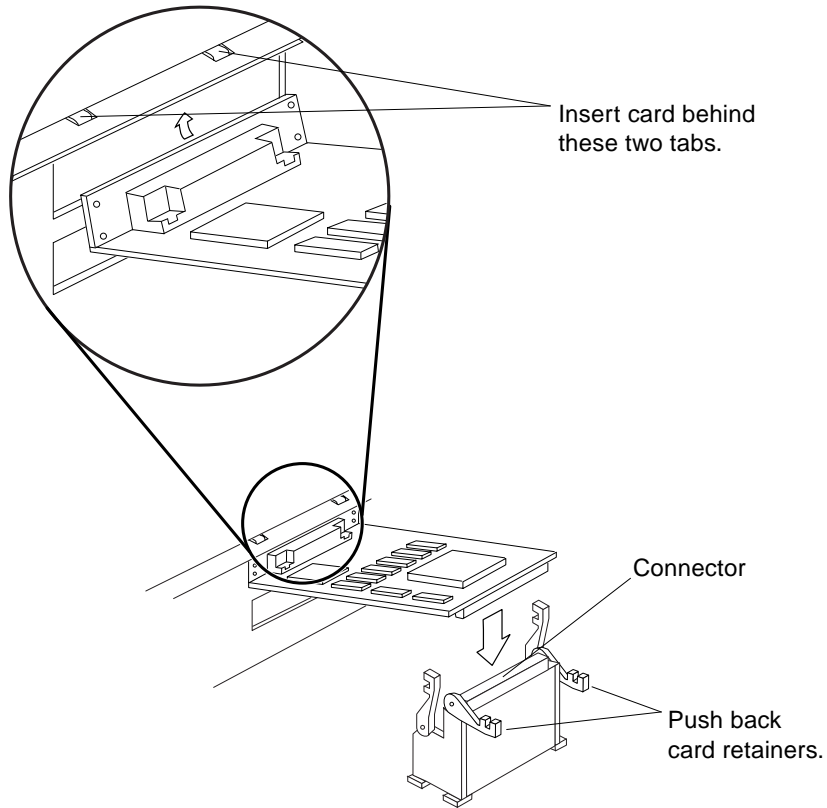
**3. Push back the two upper card retainers on the SBus connector.**

See FIGURE 11-6.

**4. Holding the card at an angle to the rear panel, insert the card backplate beneath the two tabs at the top of the SBus opening.**

See FIGURE 11-6.

**5. Align the SBus card connector with its corresponding connector on the main logic board. Push down evenly on both corners of the card to join the two connectors.**



**FIGURE 11-6** Inserting the SBus Card

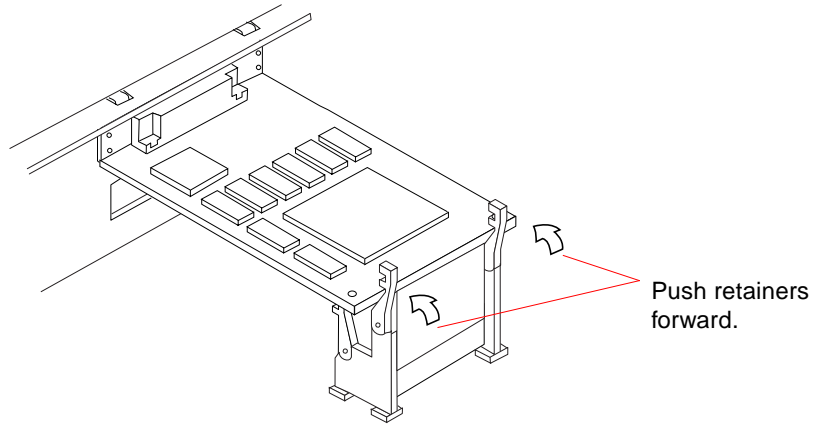


---

**Caution** – Align the connectors carefully and push down evenly on both corners of the card to avoid damaging the connector pins.

---

- 6. Push the card retainers forward to secure the SBus card.**
- 7. Detach the wrist strap and replace the cover.**  
See Chapter 7.



**FIGURE 11-7** Securing the SBus Card

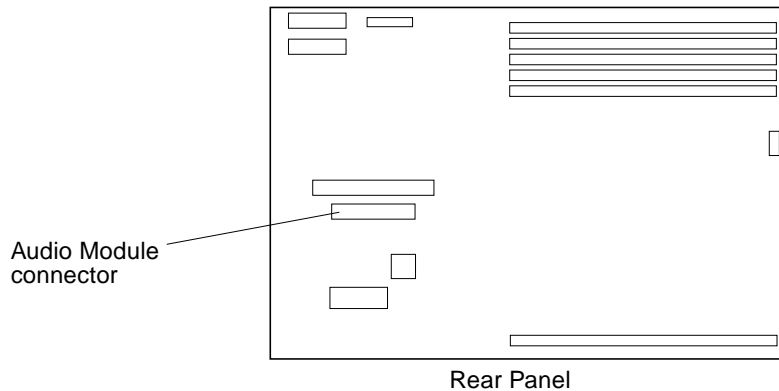
**8. Power on the system.**

See Section 6.2 “Powering On the System” on page 6-4.

---

## 11.2 Audio Module

The SPARCstation 4 Audio Module plugs in to the Audio Module connector, as shown in FIGURE 11-8.



**FIGURE 11-8** Audio Module Connector Location

## 11.2.1 Removing the Audio Module

### 1. Shut down and power off the system

See Section 6.1 “Powering Off the System” on page 6-1.

### 2. Remove the cover and attach a wrist strap.

See Chapter 7.

### 3. Remove the SBus card (if present).

See Section 11.1.1 “Removing the SBus Card” on page 11-2.

### 4. Free the audio cable from the cable slot on the side of the board, and from the retaining hooks on the card guide.

See FIGURE 11-9.

### 5. Unplug the audio cable from the connector on the Audio Module.

Gently pull the audio cable from underneath the Audio Module metal shield, so that the connector does not snag on any Audio Module component.

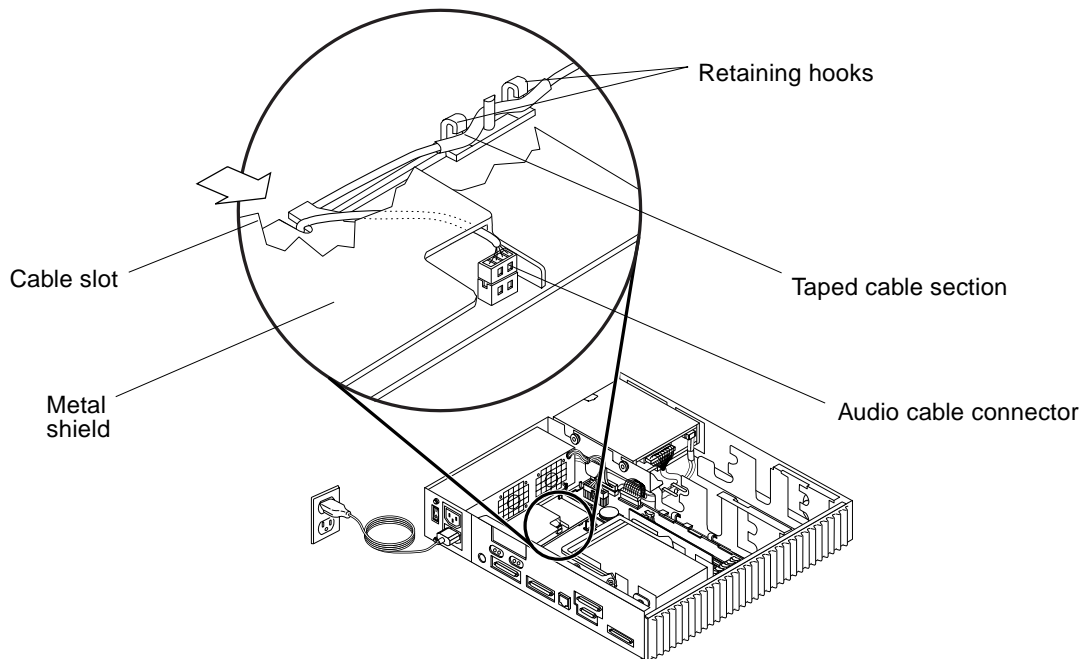
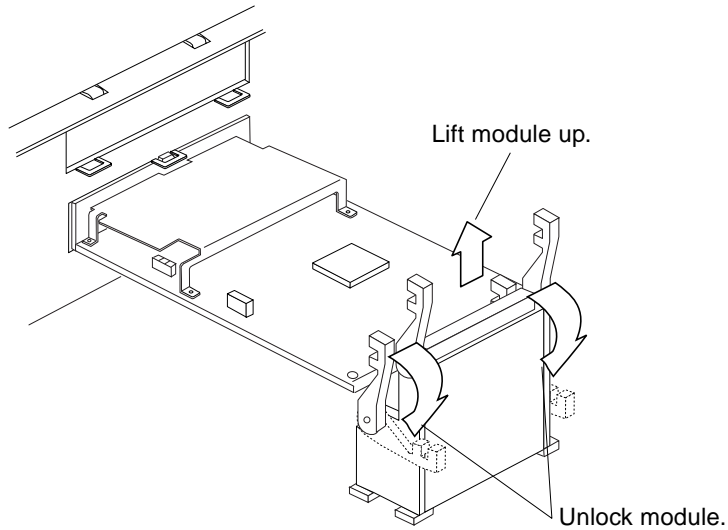


FIGURE 11-9 Removing the Audio Cable From the Audio Module

**6. Unlock the Audio Module retainers.**

Push back the lower card retainers to release the Audio Module.



**FIGURE 11-10** Unlocking the Audio Module

**7. Insert a card extractor into the holes on the installed Audio Module.**

See FIGURE 11-4.

**8. Hold both ends of the card extractor. Pull upward slowly and evenly until the Audio Module is disconnected.**



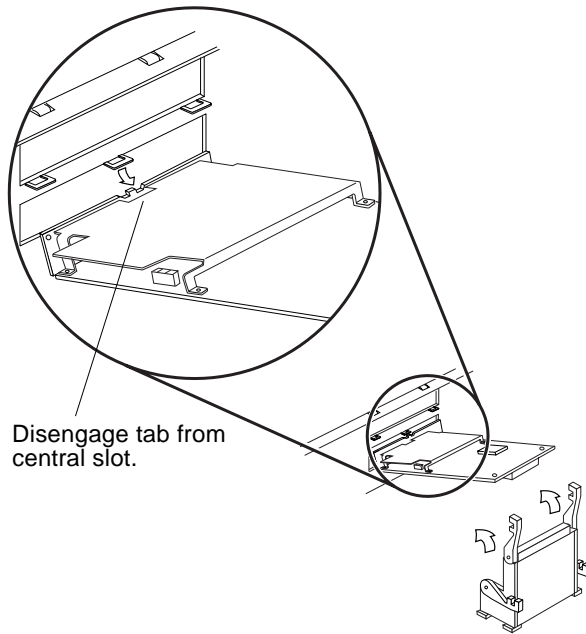
---

**Caution** – Lift up evenly on both sides of the Audio Module to avoid any damage to the connector pins.

---

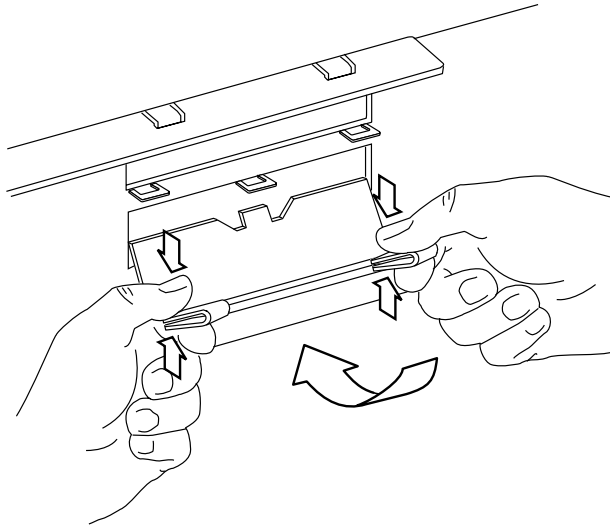
**9. Holding the connector end of the Audio Module, disengage the Audio Module from its opening on the system back panel.**

Hold the module by its edges and remove its central tab from the corresponding slot on the system back panel.



**FIGURE 11-11** Removing the Audio Module

- 10. Remove the card extractor from the Audio Module.**  
See Step 1.
- 11. Place the Audio Module on an antistatic surface.**
- 12. If you are not replacing the Audio Module, insert an Audio Module filler panel into the Audio Module rear panel opening.**

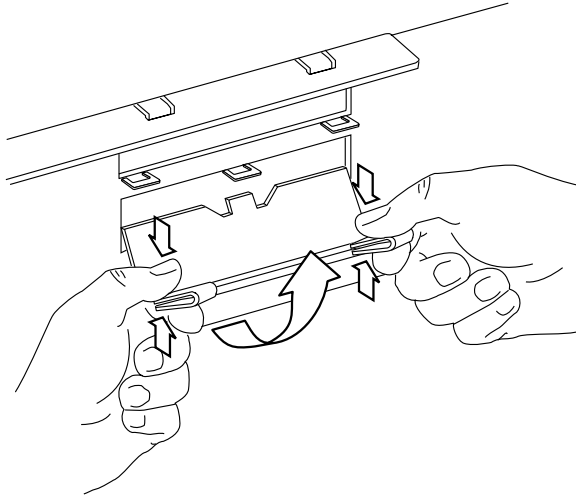


**FIGURE 11-12** Inserting the Audio Module Filler Panel

## 11.2.2 Replacing the Audio Module

### 1. Remove the Audio Module filler panel (if present).

See FIGURE 11-13. Squeeze the two tabs at the base of the lower bay filler panel until they disengage from the rear panel.



**FIGURE 11-13** Removing the Audio Module Filler Panel

**2. Align the Audio Module with its opening on the system back panel.**

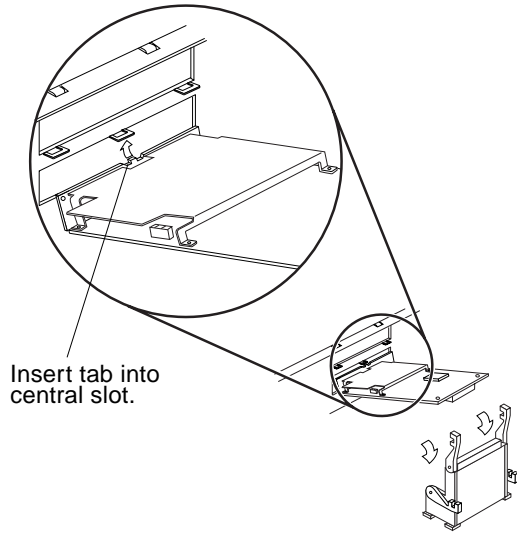
See FIGURE 11-14. Hold the module by its edges and insert its central tab into the corresponding slot on the system back panel.

**3. Align the Audio Module connector with its corresponding connector on the system board.**

The corresponding connector on the system board is the one that is closer to the system back panel. See FIGURE 11-8.

**4. Push down slowly and evenly until the Audio Module is connected to the system board.**

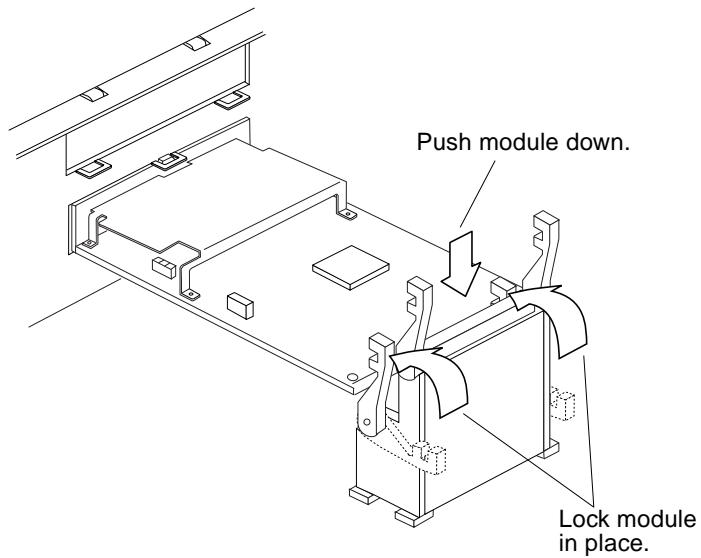




**FIGURE 11-14** Inserting the Audio Module

**5. Lock the module in place.**

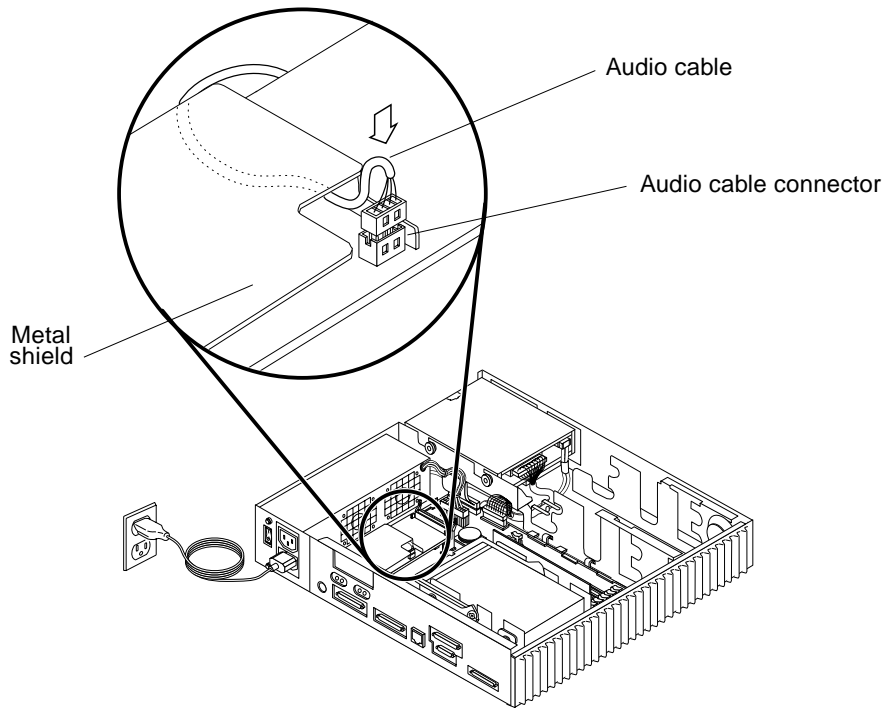
Push both lower card retainers into the upright position.



**FIGURE 11-15** Securing the Audio Module

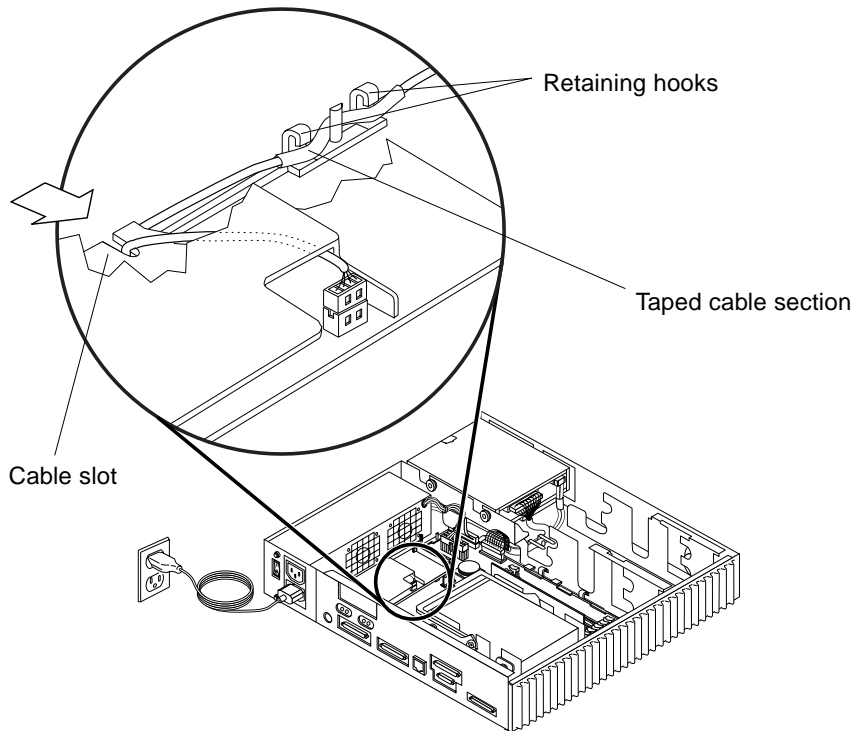
- 6. Feed the CD-ROM audio cable beneath the metal shield and connect it to its matching connector on the Audio Module.**

The connectors are keyed to install in one way only.



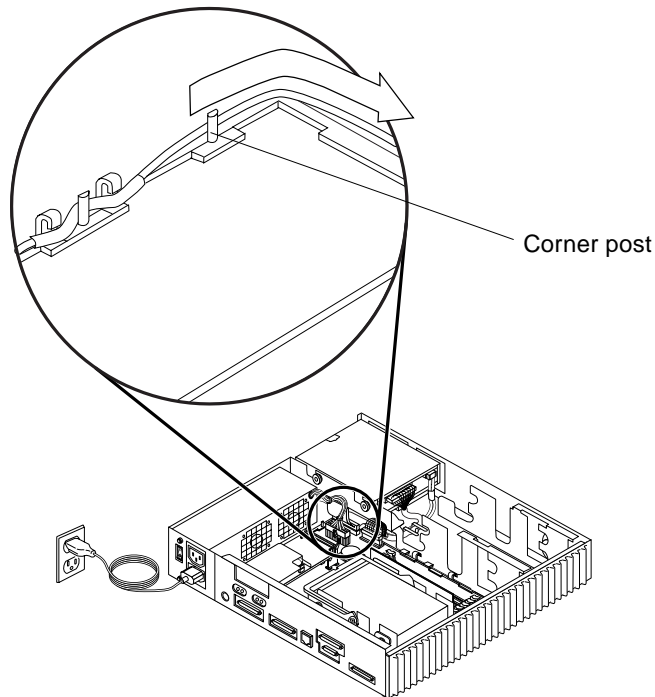
**FIGURE 11-16** Connecting the CD-ROM Audio Cable

- 7. Secure the audio cable in the retaining hooks on the card guide.**  
Center the taped part of the cable between the retaining hooks.
- 8. Press the audio cable into the slot on the side of the Audio Module.**



**FIGURE 11-17** Pressing the Audio Cable Into the Cable Slot

- 9. Ensure that the cable is routed around the corner post of the card guide.**



**FIGURE 11-18** Routing the Audio Cable Around the Corner Post

- 10. If you removed an SBus card earlier, replace it now.**  
See Section 11.1.2 “Replacing the SBus Card” on page 11-5.
- 11. Detach the wrist strap and replace the cover.**  
See Chapter 7.
- 12. Power on the system.**  
See Section 6.2 “Powering On the System” on page 6-4.

---

## 11.3 DSIMMs

This section describes the procedures for removing and replacing faulty dynamic single in-line memory modules (DSIMMs). To determine the location of a faulty DSIMM, see Section 4.4 “Determining Faulty DSIMM Locations” on page 4-7.

Physically, dynamic random access memory (DRAM) chips are grouped in single in-line memory modules (SIMMs) that plug into DSIMM slots located on the system unit's main logic board. The SPARCstation 4 system board accepts industry-standard JEDEC SIMMs, which are widely available from a number of different suppliers.

Sun Microsystems offers two different types of DSIMMs for these systems—an 8-megabyte DSIMM and a 32-megabyte DSIMM.

SPARCstation 4 system units come equipped with a minimum of 16 megabytes of DRAM, expandable to 160 megabytes using 32-megabyte DSIMMs in all five slots.



---

**Caution** – DSIMMs installed in your system must have been specifically designed to operate in it. *Do not* remove DSIMMs from a different Sun system and install them in a SPARCstation 4 system.

---



---

**Caution** – A DSIMM is made of delicate electronic components that are extremely sensitive to static electricity. Ordinary amounts of static from your clothes or work environment can destroy a DSIMM. Handle a DSIMM only by the edges. Do not touch the components on the DSIMM or any metal parts. Wear a grounding strap before unpacking and during handling of a DSIMM. *Do not disconnect the power cord from the system unit's power receptacle. The power cord should be left plugged in to a grounded power outlet.* This connection provides the necessary ground path so that you can safely remove and install DSIMMs and other components. Be sure that the system unit power is in Standby mode. Check the green light-emitting diode (LED) at the front of the chassis to be sure it is not lit.

---

## 11.3.1 Removing a DSIMM

- 1. Shut down and power off the system.**

See Section 6.1 “Powering Off the System” on page 6-1.

- 2. Remove the cover and attach a wrist strap.**

See Chapter 7.

- 3. Place an antistatic surface next to the system.**

- 4. Locate the slot for the DSIMM you need to remove.**

See FIGURE 11-19.

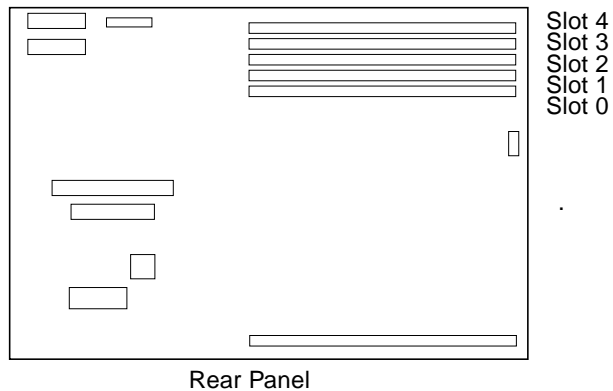


FIGURE 11-19 DSIMM Slot Locations on the System Board

- To eject the faulty DSIMM, press down on the ejection levers on both sides of the DSIMM connector.

See FIGURE 11-20.

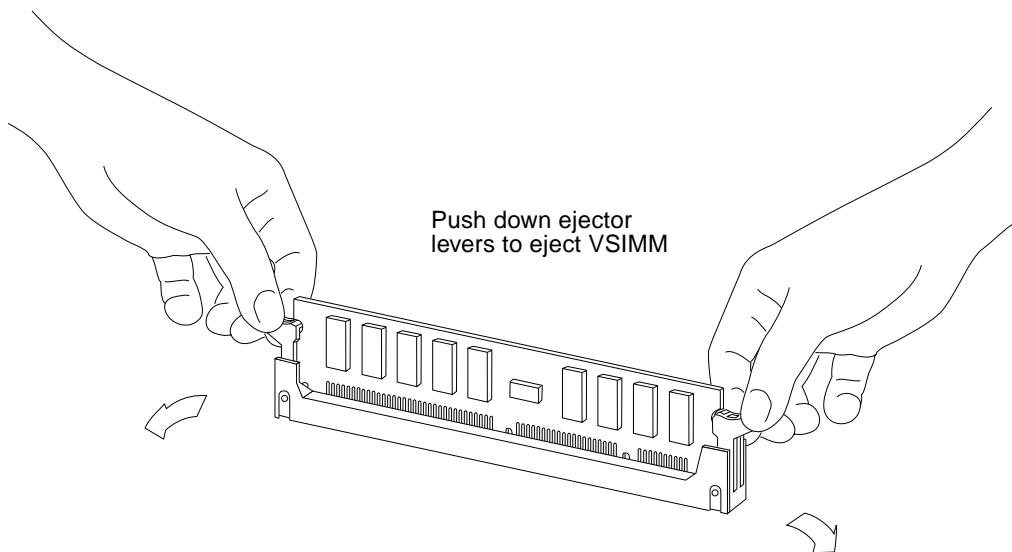


FIGURE 11-20 Ejecting the DSIMM

- Holding the DSIMM by its edges, remove it from the slot and place it on an antistatic surface.

## 11.3.2 Replacing a DSIMM

1. Carefully remove the new DSIMM from its protective packaging and place it on an antistatic surface.

The bag in which the DSIMM is packed makes a good antistatic surface.

2. Choose any available DSIMM slot and unlock (press down) the ejector levers at both ends of the connector.

3. Align the DSIMM with the slot.

See FIGURE 11-21. Hold the DSIMM by its edges and orient it so that the two notches at the bottom of the DSIMM line up with the two tabs in the DSIMM connector.

---

**Note** – The slot closest to the rear panel must always contain a DSIMM. If you combine different capacity DSIMMs in the same system, this slot must contain the highest capacity DSIMM.

---

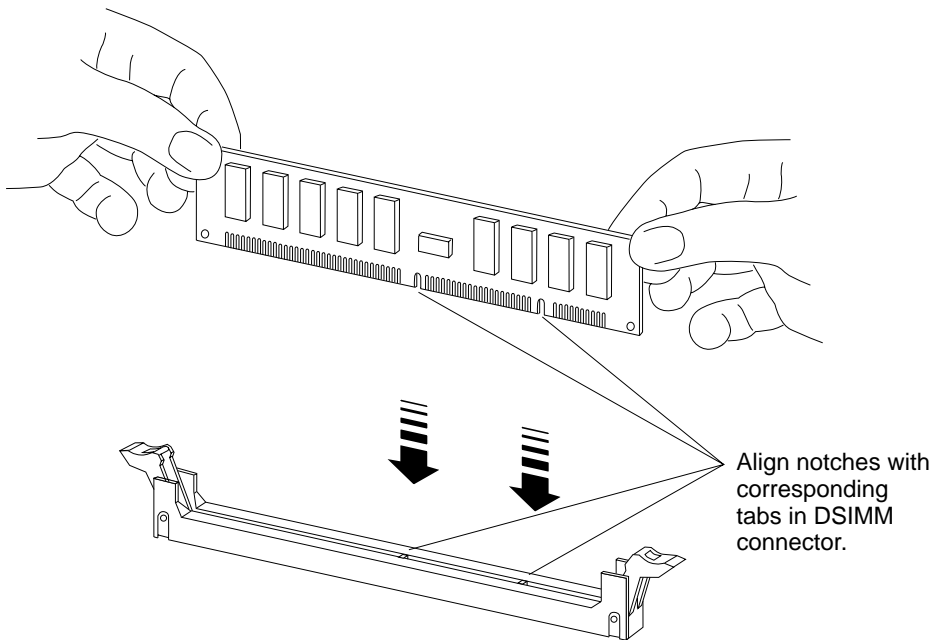
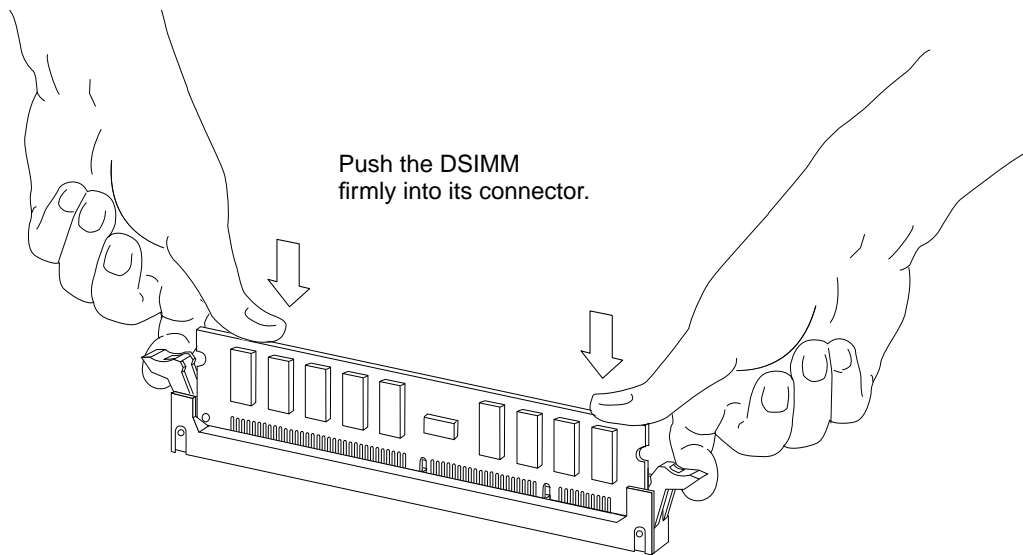


FIGURE 11-21 Orienting the DSIMM

4. Place your thumbs as shown in FIGURE 11-22 and push the DSIMM firmly into its connector.
5. To lock the DSIMM in place, push both ejector levers into the upright position.



**FIGURE 11-22** Installing the DSIMM

**6. Detach the wrist strap and replace the cover.**

See Chapter 7.

**7. Power on the system.**

See Section 6.2 "Powering On the System" on page 6-4.

**8. Watch for the system banner to verify that the system recognizes the new memory.**

The system banner appears at the top of the screen a few seconds after you power on the system. Check the amount of memory listed in the system banner to verify that the system recognizes the new memory.

---

## 11.4 VSIMM

### 11.4.1 Removing the VSIMM

**1. Shut down and power off the system.**

See Section 6.1 "Powering Off the System" on page 6-1.



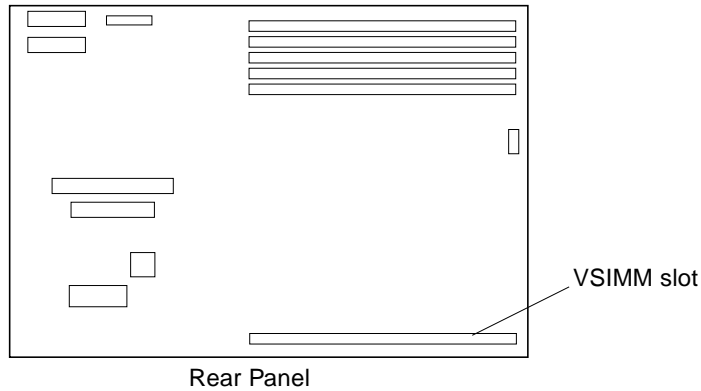
**2. Remove the cover and attach a wrist strap.**

See Chapter 7.

**3. Place an antistatic surface next to the system.**

**4. Locate the only VSIMM slot.**

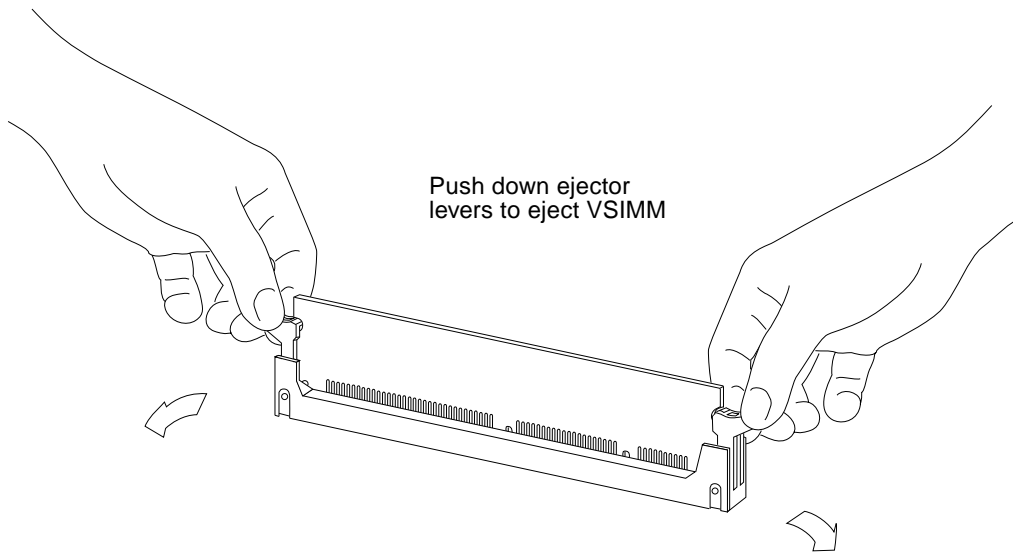
See FIGURE 11-23.



**FIGURE 11-23** VSIMM Slot Location

**5. To eject the faulty VSIMM, press down on the ejection levers on both sides of the VSIMM connector.**

See FIGURE 11-24.



**FIGURE 11-24** Ejecting the VSIMM

- 6. Holding the VSIMM by its edges, remove it from the slot and place it on an antistatic surface.**

## 11.4.2 Replacing the VSIMM

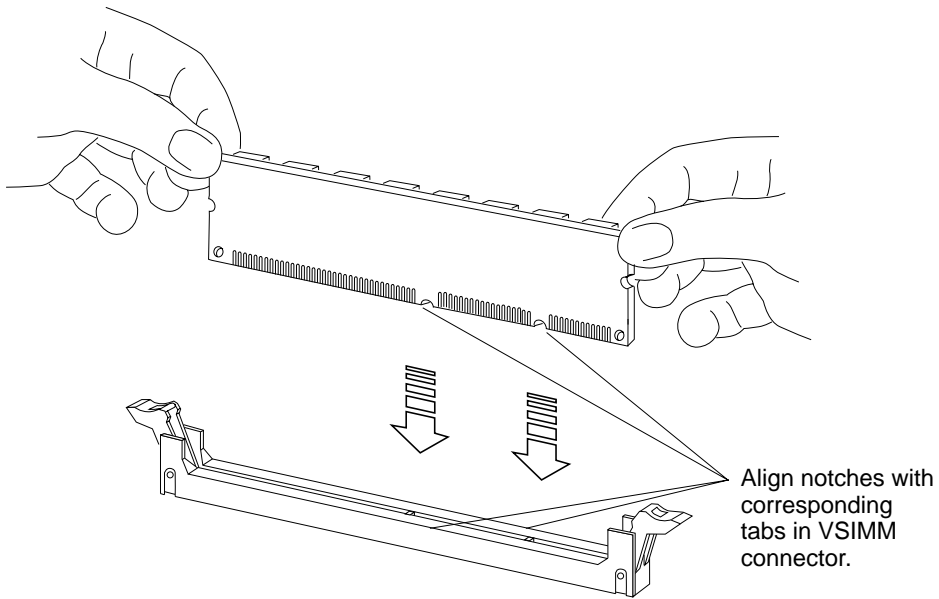
- 1. Carefully remove the new VSIMM from its protective packaging and place it on an antistatic surface.**

The bag in which the VSIMM is packed makes a good antistatic surface.

- 2. Find the VSIMM slot and unlock (press down) the ejector levers at both ends of the connector.**

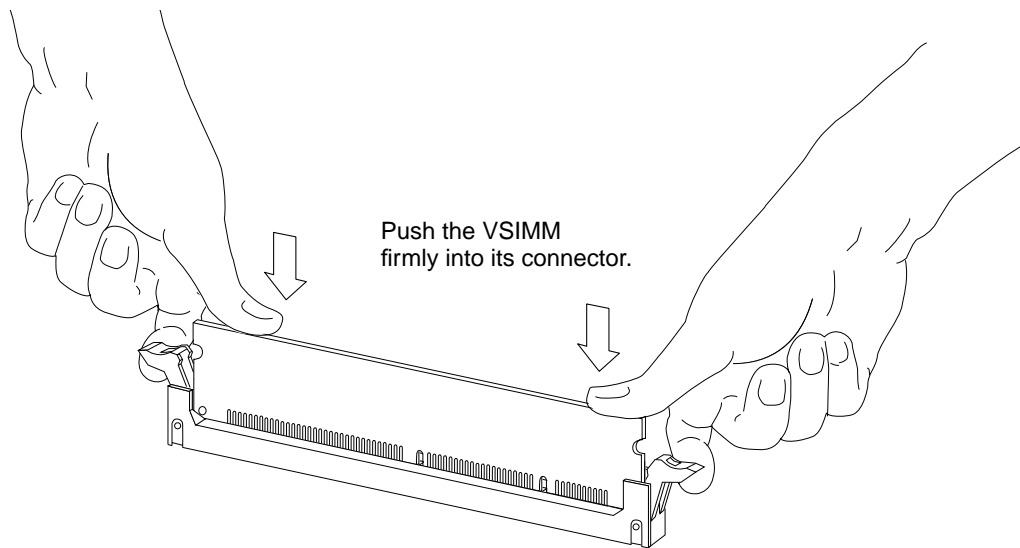
- 3. Align the VSIMM with the slot.**

See FIGURE 11-25. Hold the VSIMM by its edges and orient it so that the two notches at the bottom of the VSIMM line up with the two tabs in the VSIMM connector.



**FIGURE 11-25** Orienting the VSIMM

- 4. Place your thumbs as shown in FIGURE 11-26 and push the VSIMM firmly into its connector.**
- 5. To lock the VSIMM in place, push both ejector levers into the upright position.**



**FIGURE 11-26** Installing the VSIMM

**6. Detach the wrist strap and replace the cover.**

See Chapter 7.

**7. Power on the system.**

See Section 6.2 "Powering On the System" on page 6-4.

---

## 11.5 System Board

### 11.5.1 Removing the System Board

**1. Shut down and power off the system.**

See Section 6.1 "Powering Off the System" on page 6-1.

**2. Remove the cover and attach a wrist strap.**

See Chapter 7.

**3. Remove the SBus card.**

See Section 11.1.1 "Removing the SBus Card" on page 11-2.

**4. Remove the Audio Module (if present).**

See Section 11.2.1 “Removing the Audio Module” on page 11-8.

**5. Remove all DSIMMs.**

See Section 11.3.1 “Removing a DSIMM” on page 11-17.

**6. Remove the VSIMM (if present).**

See Section 11.4.1 “Removing the VSIMM” on page 11-20.

**7. Remove the NVRAM.**

See Section 11.6.1 “Removing the NVRAM Chip” on page 11-30.

**8. Unplug the DC power, SCSI data, diskette data, and speaker/LED cables (if present) from the system board.**

See FIGURE 11-27.

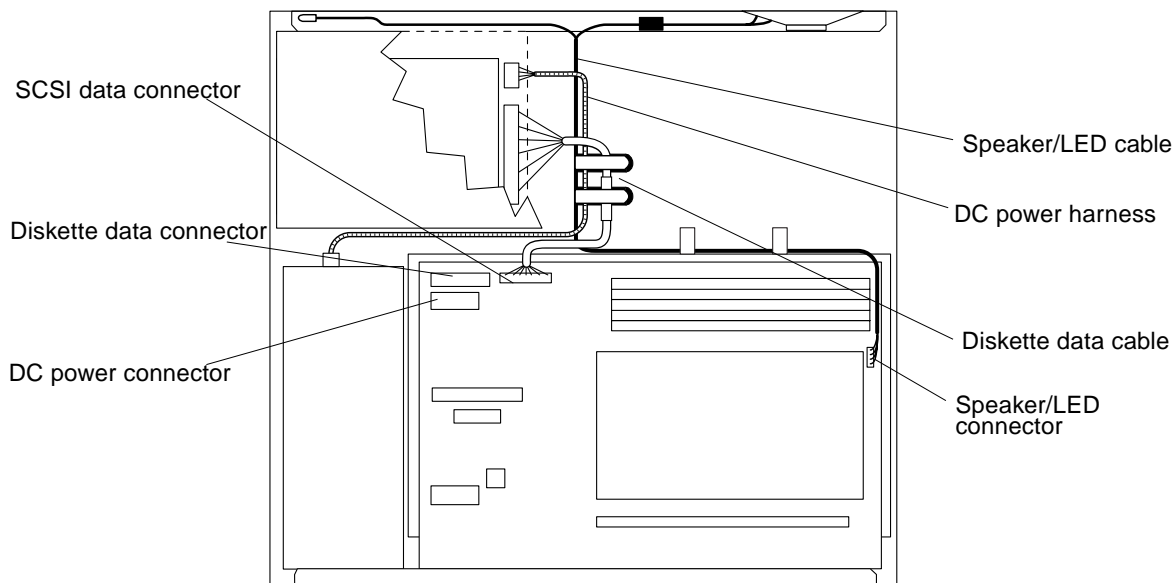


FIGURE 11-27 System Board Cable Connections

**9. Loosen the two captive Phillips screws that secure the system board to the rear of the chassis.**

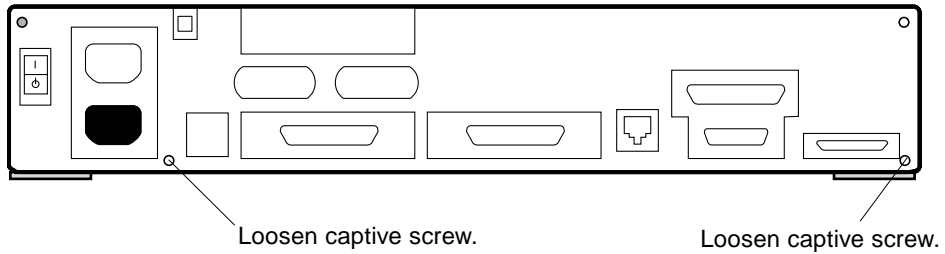


FIGURE 11-28 System Board Captive Screws

10. Pull the board out of the back of the chassis until it clears the plastic card guide.
11. Place the board on an antistatic surface.

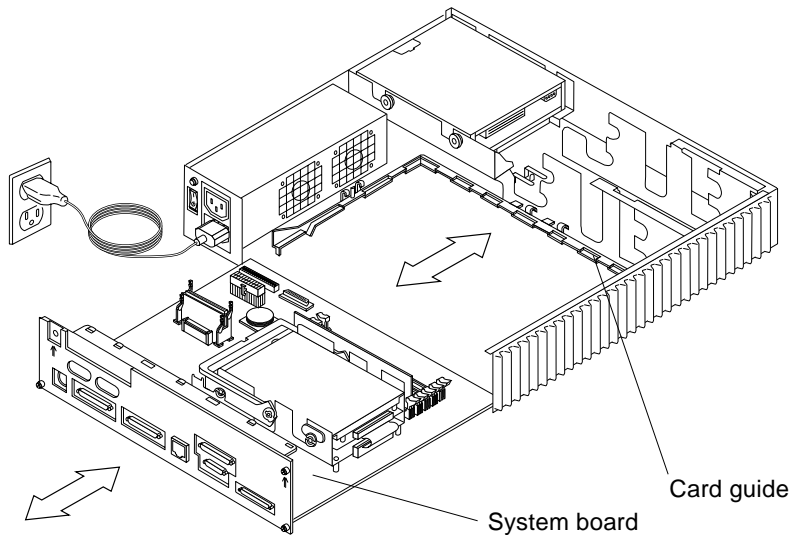


FIGURE 11-29 Removing the System Board

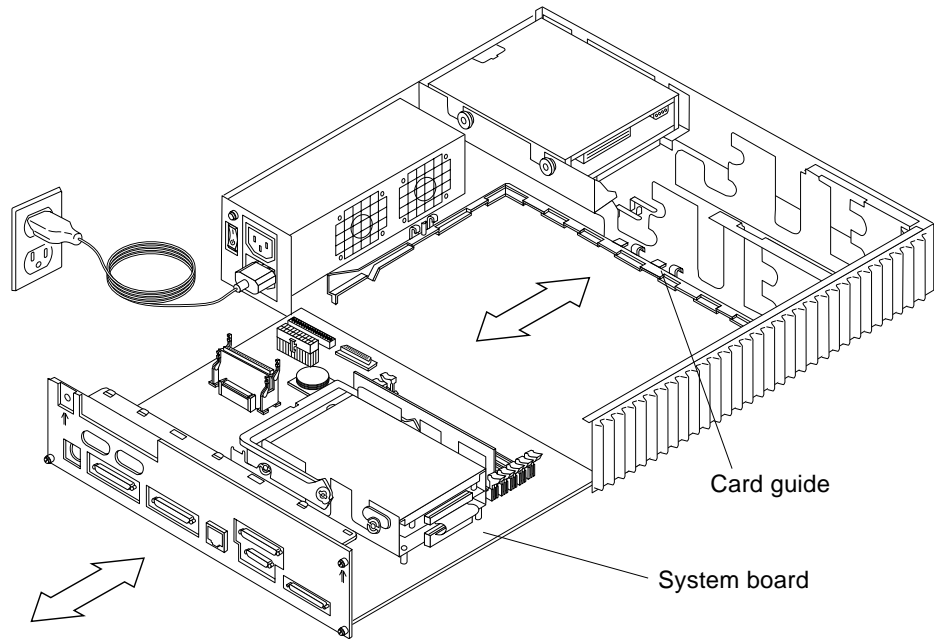
## 11.5.2 Replacing the System Board

The serial port jumpers are preset for RS423 mode. See Section 11.5.3 "Setting Jumpers" on page 11-29, if you need to change the jumpers on the system board to RS232.

1. Install the new system board.

See FIGURE 11-30.

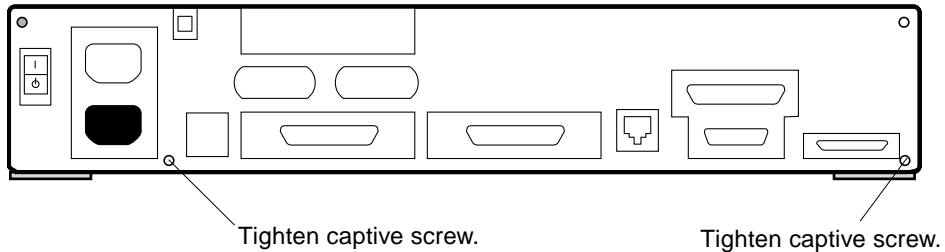
- a. Insert the front edge of the board (the edge with the DSIMMs) into the card guide.
- b. Lift the rear panel of the board slightly to make sure that the “foot” on the underside of the board doesn’t catch the metal edge of the chassis.
- c. Slide the board along the card guide until it is fully inserted.



**FIGURE 11-30** Installing the System Board

2. Tighten the two captive Phillips screws that secure the board to the rear of the chassis.

Do not overtighten these screws.



**FIGURE 11-31** System Board Captive Screws

**3. Reconnect the DC power, SCSI data, diskette data, and the speaker/LED cables (if present) to the system board.**

See FIGURE 11-27.

**4. Take the following components that you removed from the defective system board and install them on the new system board in the following order:**

**a. NVRAM**

See Section 11.6.2 “Replacing the NVRAM Chip” on page 11-31.

**b. DSIMMs**

See Section 11.3.2 “Replacing a DSIMM” on page 11-19.

**c. VSIMM**

See Section 11.4.2 “Replacing the VSIMM” on page 11-22.

**d. Audio Module**

See Section 11.2.2 “Replacing the Audio Module” on page 11-11.

**e. SBus card**

See Section 11.1.2 “Replacing the SBus Card” on page 11-5.

**5. Detach the wrist strap and replace the cover.**

See Chapter 7.

**6. Power on the system.**

See Section 6.2 “Powering On the System” on page 6-4.



## 11.5.3 Setting Jumpers

There are two serial port jumpers on the system board. The jumpers are factory-set to RS423 mode (position A in FIGURE 11-32). The ports can be reset to RS232 mode (position B) for connection to an X.25 network in Europe or Australia.

To change the jumper settings from RS423 mode to RS232 mode:

- 1. Shut down and power off the system.**  
See Section 6.1 “Powering Off the System” on page 6-1.
- 2. Remove the cover and attach a wrist strap.**  
See Chapter 7.
- 3. If an SBus card is installed, remove it.**  
See Section 11.1.1 “Removing the SBus Card” on page 11-2.
- 4. If an Audio Module is installed, remove it.**  
See Section 11.2.1 “Removing the Audio Module” on page 11-8.
- 5. Use needlenose pliers to move both serial port jumpers from position A to position B.**

See FIGURE 11-32.

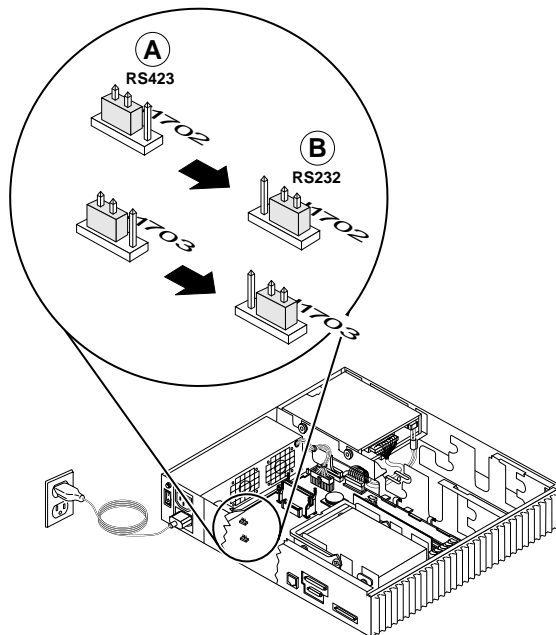


FIGURE 11-32 Setting the Serial Port Jumpers

**6. Reinstall the Audio Module (if applicable).**

See Section 11.2.2 “Replacing the Audio Module” on page 11-11.

**7. Reinstall the SBus card (if applicable).**

See Section 11.1.2 “Replacing the SBus Card” on page 11-5.

**8. Detach the wrist strap and replace the cover.**

See Chapter 7.

**9. Power on the system.**

See Section 6.2 “Powering On the System” on page 6-4.

---

## 11.6 NVRAM

### 11.6.1 Removing the NVRAM Chip

**1. Shut down and power off the system.**

See Section 6.1 “Powering Off the System” on page 6-1.

**2. Remove the cover and attach a wrist strap.**

See Chapter 7.

**3. If an SBus card is installed, remove it.**

See Section 11.1.1 “Removing the SBus Card” on page 11-2.

**4. If an Audio Module is installed, remove it.**

See Section 11.2.1 “Removing the Audio Module” on page 11-8.

**5. Locate the NVRAM chip on the system board.**

See FIGURE 11-33.

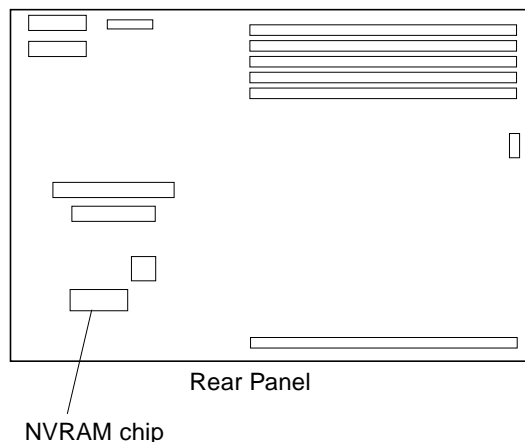


FIGURE 11-33 Locating the NVRAM Chip

6. **Hold the NVRAM chip carrier on both ends and lift it straight up to remove it.**  
Gently wiggle the chip carrier as necessary.
7. **Put the NVRAM in its chip carrier on an antistatic surface.**

## 11.6.2 Replacing the NVRAM Chip

1. **Locate the NVRAM chip on the system board.**  
See FIGURE 11-33.
2. **Carefully align the pins and insert the NVRAM chip into the socket; make certain that the notches on the socket and chip are aligned properly.**  
The carrier is keyed so that the NVRAM chip can be installed only one way.
3. **Push the NVRAM chip into the carrier until it sits tightly in the socket.**
4. **Reinstall the Audio Module (if applicable).**  
See Section 11.2.2 “Replacing the Audio Module” on page 11-11.
5. **Reinstall the SBus card (if applicable).**  
See Section 11.1.2 “Replacing the SBus Card” on page 11-5.
6. **Detach the wrist strap and replace the cover.**  
See Chapter 7.

**7. Power on the system.**

See Section 6.2 "Powering On the System" on page 6-4.

## Illustrated Parts Breakdown

---

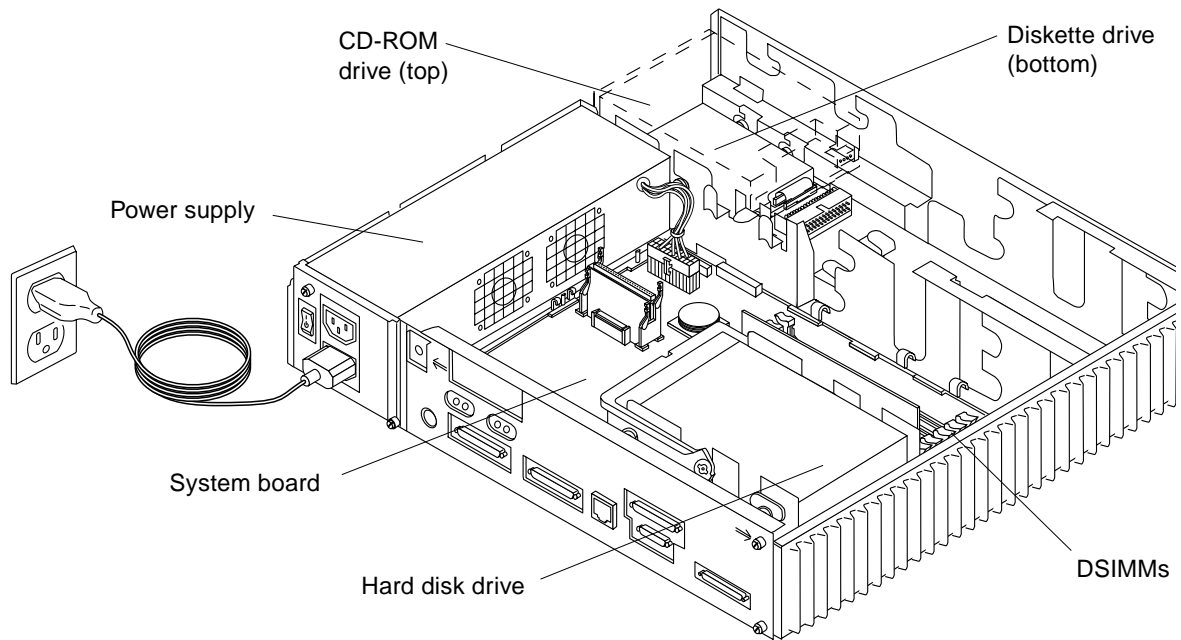
This chapter provides an illustrated parts breakdown (IPB) of the major parts that comprise the SPARCstation 4 system, and a list of customer-replaceable units (CRUs) and their part numbers.

- “Illustrations of Selected CRUs” on page 1
- “Replacement Parts List” on page 4

---

### 12.1 Illustrations of Selected CRUs

FIGURE 12-1 through FIGURE 12-4 illustrate selected CRUs for the SPARCstation 4 system.



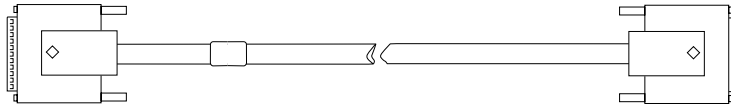
**FIGURE 12-1** Selected CRUs—System Unit



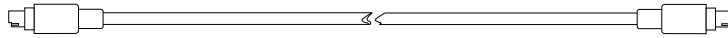
AC power cord



Twisted-pair Ethernet cable

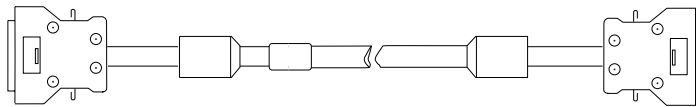


13W3 video cable



Keyboard cable

**FIGURE 12-2** Standard External Cables



SCSI cable

**FIGURE 12-3** Optional External Cable

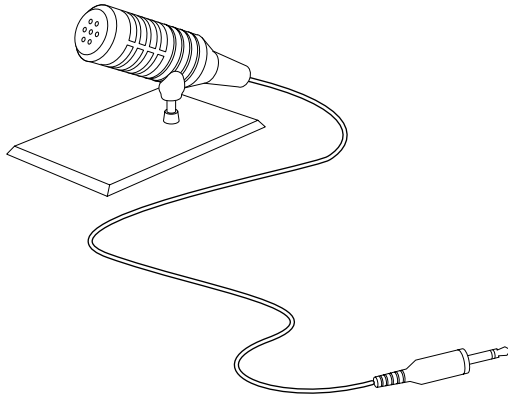


FIGURE 12-4 Microphone and Cable

---

## 12.2 Replacement Parts List

TABLE 12-1 provides the part numbers for customer-replaceable units. TABLE 12-2 provides part numbers for miscellaneous items.

---

**Note** – Although the part numbers are correct as of the publication date of this document, they are subject to change. Consult your authorized Sun sales representative or service provider to confirm part numbers before you order new or replacement parts.

---

TABLE 12-1 Part Number List—Customer-Replaceable Units

Item	Description	Sun Part No.
1	8-Mbyte DSIMM Module	501-2470
2	32-Mbyte DSIMM Module	501-2471
3	VSIMM Module	501-2576
4	NVRAM/TOD	525-1391
5	Main Logic Board (0-Mbyte, 70 MHz)	501-2861
6	Main Logic Board (0-Mbyte, 70 MHz)	501-3002
7	Main Logic Board (0-Mbyte, 85 MHz)	501-2928
8	Main Logic Board (0-Mbyte, 110 MHz)	501-3008



**TABLE 12-1** Part Number List—Customer-Replaceable Units *(Continued)*

<b>Item</b>	<b>Description</b>	<b>Sun Part No.</b>
9	Main Logic Board (0-Mbyte, 110 MHz)	501-3109
10	Main Logic Board (0-Mbyte, 110 MHz)	501-3134
11	545-Mbyte Internal Disk Drive	540-2443
12	1-Gbyte Internal Disk Drive	540-2560
13	1-Gbyte Internal Disk Drive	540-2875
14	Internal CD-ROM Drive	540-2852
15	3.5-inch Internal Diskette Drive	540-2854
16	50-watt Power Supply	300-1257
17	150-watt Power Supply (SPARCserver 4 Configuration)	300-1215
18	Internal Speaker Assembly	370-1579
19	CD-ROM Audio Cable (Internal)	530-2852
20	Diskette Drive Cable (Internal)	530-2277
21	Speaker/LED Cable (Internal)	530-2291
22	CD-ROM SCSI Cable (Internal)	530-2129
23	Disk Drive Cable (Internal)	530-2146
24	DC Power Harness	530-2302
25	1-Mbyte TGX Frame Buffer Card	501-2325
26	4-Mbyte TGX Frame Buffer Card	501-2253
27	Audio Module	501-2592
28	Type-5 Mouse and Pad	370-1398
29	Keyboard Cable	530-1442
30	Twisted-Pair Ethernet Cable	530-1871
31	13W3 Video Cable	530-1870
32	SunMicrophone II	370-1678

**TABLE 12-2** Part Number List—Miscellaneous Items

<b>Item</b>	<b>Description</b>	<b>Sun Part No.</b>
1	Wrist Strap	250-1007
2	Antistatic Mat with Sun Logo	250-1088
3	Disposable Antistatic Mat	330-1145



# System Specifications

---

This appendix contains SPARCstation 4 system specifications, including physical specifications, input power requirements, and environmental requirements.

- “Physical Specifications” on page 1
- “Input Power Requirements” on page 2
- “Environmental Requirements” on page 3

---

## A.1 Physical Specifications

TABLE A-1 lists the physical specifications for the SPARCstation 4 system unit, keyboard, and optical mouse.

**TABLE A-1** Physical Specifications—SPARCstation 4 System

<b>Component</b>	<b>Height inches (mm)</b>	<b>Width inches (mm)</b>	<b>Depth inches (mm)</b>	<b>Net Weight lbs (kg)</b>
System Unit	3.07 (78)	16.40 (417)	16.10 (409)	25.0 (11.34)
Keyboard	1.7 (44)	20.1 (510)	7.2 (182)	3.5 (1.6)
Mouse	2.0 (50)	4.0 (100)	3.0 (80)	0.3 (0.14)

## A.2 Input Power Requirements

TABLE A-2 lists the input power requirements for the SPARCstation 4 system.

**TABLE A-2** Input Power Requirements and Power Dissipation—SPARCstation 4 System

Parameter	Specification
Nominal Frequencies	50 Hz or 60 Hz nominal
Nominal Voltage Range	100-120 Vac or 200-240 Vac (100-240 Vac Auto)
Maximum Current AC RMS <sup>1</sup>	0.75 A @ 100-120 Vac, 0.375 A @ 200-240 Vac
AC Operating Range	87-264 Vrms, 47-63 Hz
Maximum VA Rating	75 VA
Maximum Power Consumption <sup>2</sup>	53 Watts
Maximum Heat Output	180.8 BTU/hr

1. Maximum input current with accessory connected to accessory outlet is 6 A.

2. Maximum power consumption with monitor connected to accessory outlet is 203 Watts.

TABLE A-3 lists the input power requirements for the SPARCserver 4 system.

**TABLE A-3** Input Power Requirements and Power Dissipation—SPARCserver 4 System

Parameter	Specification
Nominal Frequencies	50 Hz or 60 Hz nominal
Nominal Voltage Range	100-120 Vac or 200-240 Vac (100-240 Vac Auto)
Maximum Current AC RMS <sup>1</sup>	1.0 A @ 100-120 Vac, 0.5 A @ 200-240 Vac
AC Operating Range	87-264 Vrms, 47-63 Hz
Maximum VA Rating	100 VA
Maximum Power Consumption <sup>2</sup>	99 Watts
Maximum Heat Output	337.0 BTU/hr

1. Maximum input current with accessory outlet is 6A.

2. Maximum power consumption with monitor connected to accessory outlet is 249 Watts.

---

## A.3 Environmental Requirements

TABLE A-4 lists the environmental requirements for both operating and non-operating environments.

**TABLE A-4** Environmental Requirements

---

<b>Operating Environment:</b>	
Temperature range	0 °C to 40 °C (32 °F to 104 °F) at 20%–70% Relative Humidity (RH), noncondensing—IEC 68-2-1, 68-2-2
Humidity	5% to 95% RH, noncondensing—IEC 68-2-2, 68-2-3
Altitude Range	0 to 3000 meters (0 to 9840 feet), 10 °C to 40 °C (50 °F to 104 °F)—IEC 68-2-40, 68-2-41
Vibration	0.1 gravity (g) peak, 5–500 Hz, 3 perpendicular axes— IEC 68-2-6
Shock	5 g peak, 11 milliseconds half-sine pulse—IEC 68-2-27
<b>Non-Operating Environment:</b>	
Altitude	0 to 12,000 meters (0 to 39,360 feet), 0 °C to 10 °C (32 °F to 50 °F)—IEC 68-2-40, 68-2-41
Temperature Range	-40 °C to 75 °C (-40 °F to 167 °F) at 20%–70% RH, noncondensing—IEC 68-2-1, 68-2-2
Humidity	95% RH, noncondensing—IEC 68-2-2, 68-2-3
Vibration	0.5 g peak, 5–500 Hz, 3 perpendicular axes—IEC 68-2-6
Shock	30 g peak, 11 milliseconds half-sine pulse— IEC 68-2-27

---



# Input/Output Connectors and Ports

This appendix contains pinouts and illustrations of the system unit input/output (I/O) connectors and ports. The following connections are described.

- “External SCSI Connector” on page 1
- “Parallel Port Connector” on page 2
- “Attachment Unit Interface (AUI) Connector” on page 3
- “Twisted-Pair Ethernet Connector” on page 4
- “Serial Connector Ports A and B” on page 4
- “Keyboard/Mouse Connector” on page 5
- “Audio Module Ports (Optional)” on page 6
- “13W3 Video Connector” on page 9

## B.1 External SCSI Connector

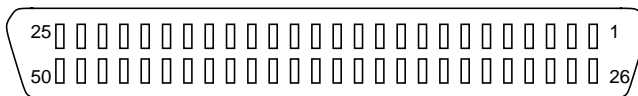


FIGURE B-1 External SCSI Connector

TABLE B-1 Pinout Signals<sup>1</sup> for External SCSI Connector

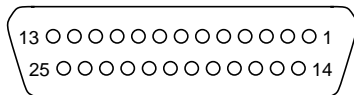
Pin	Description	Pin	Description	Pin	Description
1	Ground	18	Ground	35	Ground
2	Ground	19	Ground	36	Ground
3	Ground	20	Ground	37	Ground

**TABLE B-1** Pinout Signals<sup>1</sup> for External SCSI Connector (Continued)

Pin	Description	Pin	Description	Pin	Description
4	Ground	21	Ground	38	Termpower
5	Ground	22	Ground	39	Ground
6	Ground	23	Ground	40	Ground
7	Ground	24	Ground	41	Attention
8	Ground	25	Ground	42	Ground
9	Ground	26	Data 0	43	Busy
10	Ground	27	Data 1	44	Acknowledge
11	Ground	28	Data 2	45	Reset
12	Ground	29	Data 3	46	Message
13	N/C	30	Data 4	47	Select
14	Ground	31	Data 5	48	Control data
15	Ground	32	Data 6	49	Request
16	Ground	33	Data 7	50	Direction
17	Ground	34	Parity		

1. All signals are active low.

## B.2 Parallel Port Connector



**FIGURE B-2** Parallel Port Connector

**TABLE B-2** Pinout for Parallel Port Connector

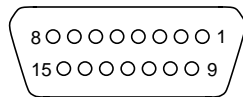
Pin	Description	Pin	Description
1	Strobe_out_l	14	Auto_feed_out_l
2	Data[0]	15	Errpr_in_l
3	Data[1]	16	Init_out_l
4	Data[2]	17	Select_in_l



**TABLE B-2** Pinout for Parallel Port Connector (*Continued*)

Pin	Description	Pin	Description
5	Data[3]	18	Ground
6	Data[4]	19	Ground
7	Data[5]	20	Ground
8	Data[6]	21	Ground
9	Data[7]	22	Ground
10	Ack_out_1	23	Ground
11	Busy_out_1	24	Ground
12	Pe_in	25	Ground
13	Select_out		

## B.3 Attachment Unit Interface (AUI) Connector

**FIGURE B-3** Attachment Unit Interface (AUI) Connector**TABLE B-3** Pinout for Attachment Unit Interface (AUI) Connector

Pin	Description	Pin	Description
1	N/C	9	Collision +
2	Collision +	10	Transmit -
3	Transmit +	11	N/C
4	N/C	12	Receive -
5	Receive +	13	Power
6	Ground	14	N/C
7	N/C	15	N/C
8	N/C		

## B.4 Twisted-Pair Ethernet Connector

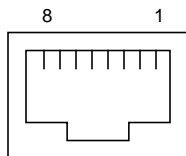


FIGURE B-4 Twisted-Pair Ethernet Connector

TABLE B-4 Pinout for Twisted-Pair Ethernet Connector

Pin	Description	Pin	Description
1	Transmit Data +	5	N/C
2	Transmit Data -	6	Receive Data -
3	Receive Data +	7	Presence detect
4	N/C	8	Presence detect

## B.5 Serial Connector Ports A and B

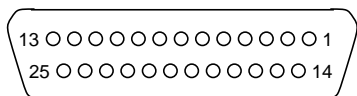


FIGURE B-5 Serial Connector

TABLE B-5 Pinout for Combined Serial Connector Ports A and B

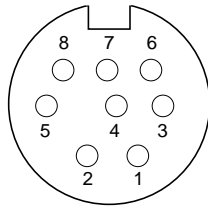
Pin	Description <sup>1</sup>	Pin	Description
1	N/C - Shield	14	A - Transmit Data (TxDB)
2	A - Transmit Data (TxDA)	15	Transmit Clock DCE Source (TRxCA)
3	A - Receive Data (RxDA)	16	B - Receive Data (RxDB)
4	A - Request to Send (RTSa)	17	A - Receive Clock (RTxCa)
5	A - Clear to Send (CTSa)	18	Transmit Clock DCE Source (TRxCB)

**TABLE B-5** Pinout for Combined Serial Connector Ports A and B

Pin	Description <sup>1</sup>	Pin	Description
6	A – Data Set Ready (DSRa)	19	B– Request to Send (RTSb)
7	Signal Ground (GND)	20	A – Data Terminal Ready (DTRa)
8	A–Data Carrier Detect (DCDa)	21	N/C
9	N/C – Reserved	22	N/C
10	N/C – Reserved	23	N/C
11	B – Data Terminal Ready (DTRb)	24	A – Transmit Clock DTE Source (TRxCa)
12	B – Data Carrier Detect (DCDb)	25	B – Transmit Clock DTE Source (TRxCb)
13	B–Clear to Send (CTSb)		

1. Splitter cable (X985A) is required to use both ports simultaneously. Port A is synchronous/asynchronous. Port B is asynchronous only.

## B.6 Keyboard/Mouse Connector

**FIGURE B-6** Keyboard/Mouse Connector**TABLE B-6** Pinout for Keyboard/Mouse Connector

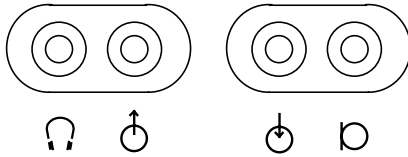
Pin	Description	Pin	Description
1	Ground	5	Keyboard Out
2	Ground	6	Keyboard In
3	+5 Vdc	7	Power Key In
4	Mouse In	8	+5 Vdc

---

**Note** – All signals are standard TTL levels. The +5V supply is fuse-protected.

---

## B.7 Audio Module Ports (Optional)



**FIGURE B-7** Audio Module Connectors

**TABLE B-7** Signals for the Audio Module Ports<sup>1</sup>

	Headphone	Line-Out	Line-In	Microphone (new)
Tip	Left Channel	Left Channel	Left Channel	Left Channel
Ring (Center)	Right Channel	Right Channel	Right Channel	Right Channel
Shield	Ground	Ground	Ground	Ground

1. E.I.A. standard 3.5-mm/0.125-inch jacks.

### B.7.1 Headphone Connector



**FIGURE B-8** Headphone Connector

This connector is used to connect a set of stereophonic headphones to the system for private listening of audio output.

## B.7.2 Audio Line-Out Connector



FIGURE B-9 Audio Line-out Connector

This connector is used to connect the system audio output to a stereophonic amplifier and external loudspeakers.

## B.7.3 Audio Line-In Connector



FIGURE B-10 Audio Line-in Connector

This connector is used to connect external stereophonic sound sources such as a compact disc player or cassette tape player to the system.

## B.7.4 Microphone Connector



FIGURE B-11 Microphone Connector

This connector is used to connect the SunMicrophone™ II (or other suitable microphone) to the system.

---

**Note** – The SPARCstation 4 microphone port accepts stereophonic input; however, the SunMicrophone II is a monophonic device. Note also that the older SunMicrophone is not compatible with the SPARCstation 4 system.

---

## B.7.5 Audio Specifications

TABLE B-8 lists the SPARCstation 4 Audio Module stereo connections and their specifications, and TABLE B-9 lists the internal speaker specifications.

**TABLE B-8** Audio Module Inputs and Outputs

Module Stereo Inputs/Outputs	Specifications <sup>1</sup>
Line In <i>Frequency Response</i>	2 V typical, 4 V maximum; 5 to 50 k-ohm impedance 20 Hz to 17 kHz 0.5dB
Internal CD Input <sup>2</sup> Input Level <i>Distortion</i> <i>S/N Ratio</i> <i>Frequency Response</i>	0.1 Vrms typical at 10 k-ohm; 2 Vpp maximum 0.01%, typical at 1 kHz 84 dB, typical IEC 179 A-weighted 20 Hz to 17 kHz 0.5dB
Microphone Input <sup>3</sup>	15 mV typical, 0.6 to 1 k-ohm impedance; +5 Vdc input bias via a 2.2 k-ohm resistor
Headphones Output	1 V typical, 2.4 V maximum; 16 W to 1 k-ohm impedance
Line Out	1 V typical, 2.4 V maximum; 5 to 50 k-ohm impedance

1. These specifications assume you are using the Audio Module with the Audio Tool format setting "CD-ROM or DAT" selected.

2. The internal stereo CD connector is located on the module.

3. SunMicrophone II (370-1678) specifications.

TABLE B-9 lists the SPARCstation 4 internal monaural speaker specifications.

**TABLE B-9** Internal Monaural Speaker Specifications

Monaural Speaker	Specifications
Internal Speaker Power Output <i>Distortion</i> <i>Impedance</i> <i>Frequency Response</i>	1.5 W average, 3 W peak 0.02%, typical at 1 kHz 16 W 20% 150 Hz to 17 kHz 0.5dB

## B.8 13W3 Video Connector

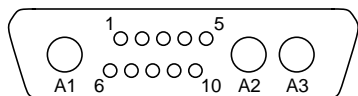


FIGURE B-12 13W3 Video Connector

TABLE B-10 13W3 Video Connector Pin Assignments

Pin	Function	I/O	Level
A1	Red	O	Analog
A2	Green	O	Analog
A3	Blue	O	Analog
1	Serial Read		TTL
2	Vert Sync	O	TTL
3	Sense <0>	I	TTL
4	Ground		GND
5	Comp Sync	O	TTL
6	Hort Sync	O	TTL
7	Serial Write		TTL
8	Sense <1>	I	TTL
9	Sense <2>	I	TTL
10	Ground		GND





## SCSI Targeting

---

This appendix describes the SCSI targeting for the internal SCSI devices in the SPARCstation 4 system. It also describes the SCSI targeting conventions for external SCSI peripherals that you can add to the system. For complete SCSI target information about SCSI peripherals, see the installation manual that came with the SCSI peripheral.

---

**Note** – Assign each SCSI device on the SCSI chain a different SCSI target.

---

The internal SCSI disk drive present in a SPARCstation 4 system is automatically assigned a SCSI target (see TABLE C-1 and TABLE C-2); this target is assigned only if the device is present.

On the SPARCstation 4 system, SCSI termination takes place on the system board when the internal disk is present. When assigning SCSI targets to external devices, make sure that none of the external targets conflict with the target automatically assigned to the internal disk drive.

---

**Note** – SCSI target 7 is reserved for the SCSI processor of the computer system or the SCSI host adapter card.

---

**TABLE C-1** SCSI Targeting—Solaris 1.x (SunOS 4.x) Operating Systems

SCSI Device	SCSI Target
On-board disk, (SCSI target automatically assigned, if present)	3*
Internal CD-ROM drive (SCSI target factory-configured)	6
External disk drives	0, 1, 2*
External tape drives	4, 5
External CD-ROM drive	6*

\* Do not assign target 3 or 6 to an external device if it is automatically assigned to an internal device.

**TABLE C-2** SCSI Targeting—Solaris 2.x (SunOS 5.x) Operating Systems

<b>SCSI Device</b>	<b>SCSI Target</b>
On-board disk, (SCSI target automatically assigned, if present)	3*
Internal CD-ROM drive (SCSI target factory-configured)	6
External disk drives	0, 1, 2, 4, 5, 6*
External tape drives	0, 1, 2, 4, 5, 6*
External CD-ROM drive	0, 1, 2, 4, 5, 6*

\* Do not assign target 3 or 6 to an external device if it is automatically assigned to an internal device.

# FORTH Diagnostics

---

This appendix explains FORTH Diagnostic tests. The following topics and tests are described.

- “Running the FORTH Diagnostics” on page 1
- “test <alias name>, test <device path>” on page 3
- “test-all” on page 4
- “watch-clock” on page 4
- “watch-net, watch-aui, watch-tpe, and watch-net-all” on page 4
- “probe-scsi, probe-scsi-all” on page 7
- “module-info” on page 7
- “test-memory” on page 8
- “Returning to the Old-Style Sunmon Compatibility Mode Prompt” on page 8

You have access to a number of additional tests in the boot PROM called FORTH Diagnostics. To invoke these tests, you must enter the FORTH Monitor.



---

**Caution** – To run the FORTH Diagnostics, you must halt the system in an orderly manner. When the operating system or any other standalone program has already booted, do not press Stop-a to halt the system. Abruptly aborting program execution may cause damage to data files.

---

---

## D.1 Running the FORTH Diagnostics

### 1. Save all your work and quit all applications.

Consult your software documentation for instructions on ending a work session and saving your files.

## 2. Halt the operating system.

See the documentation supplied with your operating system for instructions on how to halt it.

### a. For Solaris 2.x (SunOS 5.x) systems, type:

```
% su
Password: superuser password
# /usr/sbin/shutdown -y -g60 -i0
```

### b. For Solaris 1.x (SunOS 4.x) systems, type:

```
% su
Password: superuser password
# /usr/etc/shutdown -h +1
```

The operating system warns other users of your system of the impending shutdown, and then halts itself after a one-minute delay. If you wish to provide a longer delay, see the man page for `shutdown(1)`.

The system synchronizes the file systems and brings you to the `ok` prompt.

3. Enter `reset` at the `ok` prompt.
4. When you see the system banner, press `Stop-a` to access the FORTH Monitor.
5. Enter `help diag` at the `ok` prompt to get a list of tests that comprise the FORTH Diagnostics.
6. Enter the name of the test you wish to execute.

The following example shows a list of FORTH Diagnostic tests.

```
ok help diag
  Category: Diag (diagnostic routines)
test  device-specifier ( -- ) run selftest method for specified device
  Examples:
    test /memory      - test memory
    test /iommu/sbus/ledma/le  - test net
    test floppy       - test floppy disk drive
    test net          - test net (device-specifier is an alias)
    test scsi         - test scsi(device-specifier is an alias)
watch-clock          (-- ) show ticks of real-time clock
watch-net            (-- ) - monitor broadcast packets using auto-selected
interface
watch-aui            (-- ) - monitor broadcast packets using AUI interface
watch-tpe            (-- ) - monitor broadcast packets using TPE interface
watch-net-all       (-- ) - monitor broadcast packets on all net interfaces
probe-scsi           (-- ) - show attached SCSI devices
probe-scsi-all      (-- ) - show attached SCSI devices for all host adapters
test-all            (-- ) - execute test for all devices with selftest method
test-memory          (-- ) - test all memory if diag-switch? is true, otherwise
test memory
                                specified by selftest-#meg
```

### D.1.1 test <alias name>, test <device path>

The test command, combined with a device alias or device path name, will execute that device self-test program. If a device has no self-test program, this message will be displayed: No selftest method for <device name>. To run the self-test program for a device, type the test command followed by the device alias or device path name. An example is shown below.

```
ok test floppy
Testing floppy disk system. A formatted disk should be in the drive.
Test succeeded.
```

## D.1.2 test-all

The `test-all` command tests all devices in the system that have a self-test program. Tests are executed in order, using the device tree (viewed with the `show-devs` command) as reference. Disks, tapes, and CD-ROMs are not tested by `test-all`.

## D.1.3 watch-clock

This test reads a register in the NVRAM/TOD (nonvolatile RAM/Time-of-Day) chip on the main logic board and displays the result as a seconds counter. The counter should count from 0 to 59 repeatedly until you interrupt it by pressing any key on the keyboard.

The following screen gives you an example of a `watch-clock` test.

```
ok watch-clock
Watching the 'seconds' register of the real-time clock chip.
It should be 'ticking' once a second.
Type any key to stop
41
```

## D.1.4 watch-net, watch-aui, watch-tpe, and watch-net-all

These tests monitor broadcast Ethernet packets on the Ethernet cable(s) connected to the system. Good packets received by the system are indicated by a period (.) displayed on the screen. Errors are indicated with an X and the error description.

For example:

```
ok watch-net
Using AUI Ethernet Interface
  Lance register test -- succeeded
  Internal loopback test -- succeeded
  External loopback test -- Lost Carrier (transceiver cable
problem?) send failed

Using TP Ethernet Interface
  Lance register test -- succeeded
  Internal loopback test -- succeeded
  External loopback test -- succeeded
Looking for Ethernet packets.
'.' is a good packet. "X" is a bad packet.
Type any key to stop.
.....
.....
.....Framing error CRC error X.....
```

Your system has two types of Ethernet interfaces, 10BASET (also called twisted-pair Ethernet or TPE) and 10BASE5 (also called thick Ethernet or AUI). Only one Ethernet interface may be connected at a time. The system can automatically select which interface is connected and active.

The AUI port is first tested by transmitting packets and checking for “no carrier” or response packets. If the AUI test fails, the TPE port is then tested.

Entering `watch-aui` causes this automatic selection to take place. You may see these messages:

```
ok watch-aui
Using AUI Ethernet Interface
  Lance register test -- succeeded
  Internal loopback test -- succeeded
  External loopback test -- Lost Carrier (transceiver cable
problem?) send failed.
ok
```

You may also control the selection of Ethernet interfaces to monitor by using specific commands. Use `watch-tpe` to monitor the 10BASET (TPE) connection or `watch-aui` to monitor the 10BASE5 (thick Ethernet) connection.

For example:

```
ok watch-tpe
Using TP Ethernet Interface
  Lance register test -- succeeded
  Internal loopback test -- succeeded
  External loopback test -- succeeded
Looking for Ethernet packets.
'.' is a good packet. "X" is a bad packet.
Type any key to stop.
.....
.....
```

The `watch-net-all` command monitors Ethernet packets on any Ethernet interface installed in the system. For example, if you have an SBus Ethernet card installed in one of the system SBus slots, `watch-net-all` will start by monitoring Ethernet transmissions detected by that card.

When you interrupt the test on that interface by pressing any key, `watch-net-all` then goes on to test the next Ethernet interface it finds in the system.

For example:

```
ok watch-net-all
/iommu@0,100000000/sbus@0,10001000/ledma@5,8400010/le@5,8c00000

Using AUI Ethernet Interface
  Lance register test -- succeeded
  Internal loopback test -- succeeded
  External loopback test -- Lost Carrier (transceiver cable
problem?) send failed.

Using TP Ethernet Interface
  Lance register test -- succeeded
  Internal loopback test -- succeeded
  External loopback test -- succeeded
Looking for Ethernet packets.
'.' is a good packet. "X" is a bad packet.
Type any key to stop.
.....
.....
ok
```



## D.1.5 probe-scsi, probe-scsi-all

The probe-scsi test sends an inquiry command to internal and external SCSI devices connected to the system's internal SCSI interface. If a SCSI device is connected and powered up, the target address, unit number, device type, and manufacturer name should be displayed.

For example:

```
ok probe-scsi
Target 3
Unit 0 Disk SEAGATE ST1480 SUN04245828 Copyright (c) 1991 Seagate All rights
reserved.
```

The probe-scsi-all test sends an inquiry command to all SCSI devices on all the SCSI host adapters installed in the system. The first identifier listed in the display is the SCSI host adapter address in the system device tree, followed by the SCSI device identification data.

For example:

```
ok probe-scsi-all
/iommu@0,100000000/sbus@0,10001000/espdma@5,8400000/esp@5,8800000
Target 1
Unit 0 Disk CONNER CP30548 SUN0535AEBX93081QTT
Target 3
Unit 0 Disk CONNER CP30548 SUN0535AEBX93081QTT
Target 6
Unit 0 Removable Read Only device TOSHIBA CD-ROM XM-4101TA289310/16/93
```

## D.1.6 module-info

This command reports back the system CPU information including: the microprocessor name, its revision, the speed at which it is running in megahertz, and the SBus speed in megahertz.

For example:

```
ok module-info
CPU FMI,MB86904 Rev. 2.0: 70.0 Mhz
SBus (Divide By 3) : 23.3 Mhz
ok
```

## D.1.7 test-memory

All of the system main memory will be tested if the system `diag-switch?` parameter is `true`. If the `diag-switch?` parameter is `false`, this test uses the `selftest-#megs` parameter in NVRAM to determine how much memory to test. The default for the `selftest-#megs` parameter is 1, so only 1 megabyte of memory is tested.

To change the default amount of memory tested using the `selftest-#megs` default parameter, type this command:

```
ok setenv selftest-#megs 256
```

This sets the desired memory size to be tested to 256 megabytes.

When testing the installed memory alone, if `diag-switch?=false`, the `selftest-#megs` parameter takes a default value of 1 megabyte (factory-defined value) or the value you set using `setenv` shown in the example above.

Any whole number may be used up to 256, and if the number exceeds the amount of installed memory, all the installed memory in the system is tested. When the `test-memory` diagnostic is running, the number of megabytes being tested is displayed and counted down to zero during the test.

See the *OpenBoot Command Reference* for a detailed description and step-by-step instructions for the available FORTH Diagnostic tests.

---

## D.2 Returning to the Old-Style Sunmon Compatibility Mode Prompt

If you need to return to the `>` prompt from the FORTH Monitor, type `old-mode` at the `ok` prompt.

```
ok old-mode
>
```

# Glossary

---

- address** A location within a computer system memory. Reference is usually made to an address for the purpose of retrieving or storing information.
- A RMS** Amperes root mean square. RMS is often used in power measurements for electronic equipment.
- attachment unit interface (AUI) port** The port on the SPARCstation 4 system unit rear panel where the AUI adapter cable is connected.
- boot** To load the system software into memory and start the system running.
- boot PROM** A specific PROM chip on the system board. This chip contains boot code and a FORTH Monitor program. The boot PROM is connected to the I/O data bus.
- boot PROM diagnostics** The diagnostic firmware contained in the boot PROM. These diagnostics include the Power-On Self-Test (POST) and on-board diagnostics.
- buffer** The auxiliary data-storage device that holds data temporarily, and that may also perform other functions in conjunction with various I/O machines.
- cache** A mechanism for accelerating a microprocessor performance. A cache is a small, fast memory between the microprocessor and main memory. It stores the most recently used information, and provides that information again to the microprocessor more rapidly than could main memory.
- CRU** Customer-replaceable unit.
- DMA** Direct memory access.
- DRAM** Dynamic random access memory.
- DSIMM** DRAM single in-line memory module. A small printed circuit card that contains dynamic random access memory (DRAM) chips.
- Ecache** External cache. Cache that is located external to the microprocessor. See also *cache*.

<b>FORTH</b>	A high-level programming language. A major feature of FORTH is that user-defined operators can be used as if they were primitives.
<b>FORTH Toolkit</b>	An interactive command interpreter based on the FORTH programming language. While in the Toolkit, you will see the <code>ok</code> prompt. The Toolkit gives you access to an extensive set of functions for performing fault isolation and debugging.
<b>frame buffer board</b>	A printed circuit board installed in an SBus slot of the system unit that controls a video display.
<b>I/O</b>	Input/output. A device that inputs data to a computer CPU and receives data from a computer CPU. Examples of I/O devices include keyboards, mice, monitors, and peripherals devices.
<b>LED</b>	Light-emitting diode.
<b>MBus module</b>	A printed circuit board installed in an MBus slot of the system unit that contains the CPU circuitry and components.
<b>Monitor (1)</b>	Indicated by the <code>&gt;</code> prompt. From the <code>&gt;</code> prompt, you can boot the system, continue the execution of a halted program, or enter the FORTH Toolkit.
<b>Monitor (2)</b>	A video display unit that is part of the SPARCstation 4 system. It is not synonymous with terminal.
<b>MMU</b>	Memory management unit.
<b>NVRAM</b>	Nonvolatile RAM.
<b>On-Board Diagnostics</b>	A test that allows you to test the control registers, the network controller, the diskette drive system, memory, the cache, the system clock, and watch the network for valid packets.
<b>Pok</b>	Power ok. A signal from the power supply that is activated after DC voltages have risen.
<b>POST</b>	Power-On Self-Test. The POST runs when you turn on the system power switch or reboot the system and press and hold the L1-d keys. The POST, stored in the boot PROM, is a series of rudimentary tests designed to verify that the major components on the system board are working properly.
<b>PROM</b>	Programmable read only memory.
<b>RAM</b>	Random access memory.
<b>ROM</b>	Read only memory.
<b>SBus card</b>	A printed circuit board installed in an SBus slot of the system unit.
<b>SCC</b>	Serial communications controller.
<b>SCSI</b>	Small computer system interface; pronounced "scuzzy."

<b>SIA</b>	Serial interface adapter.
<b>SIMM</b>	Single in-line memory module.
<b>SunDiag System Exerciser</b>	Diagnostic software that runs under SunOS system software; displays real-time use of system resources and peripheral equipment such as Desktop Storage Packs and External Storage Modules.
<b>system Monitor</b>	See <i>Monitor (1)</i> or <i>(2)</i> .
<b>terminal</b>	A video display device and keyboard that is used to type and display information. A terminal may be connected to either of the serial interface ports on the back panel of the SPARCstation 4 system. It is not the same thing as a monitor.
<b>TOD</b>	Time-of-Day clock.
<b>TPE</b>	Twisted-pair Ethernet.
<b>UART</b>	Universal asynchronous receiver/transmitter.
<b>VRAM</b>	Video RAM.
<b>VSIMM</b>	VRAM single in-line memory module.



# Index

---

## A

- access, to subassemblies, 7-1
- antistatic
  - precautions, 5-4, 10-1
  - wrist strap, attaching, 7-3
- attachment unit interface
  - See AUI
- audio connector pinouts, B-6
- Audio Module, 11-7
  - removal/replacement, 11-8 to 11-11
- AUI
  - attachment unit interface connector, B-3
- AUI connector pinout, B-3
- auto-boot? parameter, 2-4 to 2-6, 2-10, 3-4

## B

- boot <*disk alias*> command, 2-9
- boot failure, 4-1
- boot-dev parameter, 2-5
- boot-file parameter, 2-5

## C

- cables, illustrations, 12-3
- CD-ROM audio cable, 9-18
  - removal/replacement, 9-18 to 9-24
- CD-ROM drive, 9-5
  - removal/replacement, 9-5 to 9-7
- connector pin assignments
  - Audio Module connectors, B-6
  - AUI connector, B-3

- keyboard/mouse connector, B-5
- parallel connector, B-2
- SCSI connector, B-1
- serial connectors, B-4
- twisted-pair Ethernet connector, B-4
- video connector, B-9
- CPU board
  - See system board
- CRU
  - illustrations, 12-1
  - replacement part numbers, 12-4
  - tools for removal/replacement, 5-3
- customer replaceable unit
  - See CRU

## D

- DC power harness, 9-15
  - removal/replacement, 9-15 to 9-16
- diag-device parameter, 2-5
- diag-file parameter, 2-5
- diagnostics
  - default boot mode, 2-1
  - firmware, 2-1
  - on-board, D-1
  - software, 2-1
  - tools overview, 2-1
  - tools summary, 2-7
- diag-switch? parameter, 2-1 to 2-9, 3-1, 3-4, 3-5, D-8
- disk drive, 9-1
  - boot failure, 4-1, 4-6
  - error, 4-6

- removal/replacement, 9-1 to 9-4
- SCSI targets automatically assigned, C-1
- diskette data cable, 9-16
  - removal/replacement, 9-16 to 9-18
- diskette drive, 9-7
  - removal/replacement, 9-7 to 9-12
- DSIMM, 11-16
  - locating faulty, 4-7
  - removal/replacement, 11-16 to 11-20
  - See also* memory

## E

- electrostatic discharge (ESD) precautions, 5-4
- environmental requirements, A-3
- error messages, 3-8
  - disk drive, 4-6
  - read, write, or parity, 4-2, 4-6
- external options, 1-5

## F

- FORTH Toolkit, 2-7

## H

- headphone connector, B-6
- hung system, 6-2
  - halting, 6-2

## I

- illustrated parts breakdown, 12-1 to 12-6
- input power requirements, A-2
- interior view of system, 1-2
- internal options, 1-4

## K

- keyboard diagnostic LEDs, 3-2, 3-8
- keyboard/mouse connector pinout, B-5

## M

- main logic board
  - See* system board
- memory
  - error reporting, 4-7
  - location "J" number, 4-7
  - physical address, 4-7
  - See also* DSIMM
- mfg-switch? parameter, 2-4
- microphone illustration, 12-4
- module-info, D-7

## N

- nonvolatile random access memory
  - See* NVRAM
- NVRAM, 11-30
  - parameters, 2-4
  - removal/replacement, 11-30 to 11-32

## O

- ok prompt, 2-4 to 2-7, 2-10
- On-Board Diagnostics, D-1
- options
  - external, 1-5
  - internal, 1-4

## P

- parallel connector pinout, B-2
- part numbers, listing, 12-4
- physical specifications, A-1
- pin assignments
  - See* connector pin assignments
- POST, 3-1, 3-8
  - detailed information, 3-4
  - Diagnostic Mode, 3-4
  - full diagnostic tests, 3-6
  - keyboard LEDs, 3-2, 3-3
  - Normal Mode, 3-4
  - overview, 2-3
  - silent (abbreviated), 3-5
  - system failures, 3-3
  - system passes, 3-4
- power



- turning off, 6-1 to 6-3
- turning on, 6-4
- power LED, 8-5
  - removal/replacement, 8-5 to 8-8
- power on, fails, 4-3
- power supply, 8-1
  - removal/replacement, 8-1 to 8-5
  - voltage checkpoints, 4-3
- power-off command, 2-10
- Power-On Self Test
  - See POST
- precautions, 5-3, 10-1
- probe-scsi, 2-10, 4-6
- probe-scsi-all, 2-10, 4-6

## R

- rear panel illustration, 1-3
- removal/replacement
  - Audio Module, 11-8 to 11-11
  - CD-ROM audio cable, 9-18 to 9-20
  - CD-ROM drive, 9-5 to 9-6
  - DC power harness, 9-15 to 9-16
  - disk drive, 9-1 to 9-4
  - diskette data cable, 9-16 to 9-18
  - diskette drive, 9-7 to 9-12
  - DSIMM, 11-17 to 11-19
  - NVRAM, 11-30 to 11-31
  - power LED, 8-5 to 8-7
  - power supply, 8-1 to 8-5
  - SBus card, 11-1 to 11-6
  - SCSI data cable, 9-13 to 9-14
  - speaker, 8-8 to 8-12
  - system board, 11-24 to 11-29
  - system cover, 7-1 to 7-6
  - tools needed, 5-3
  - VSIMM, 11-20 to 11-24
- replacement parts list, 12-4
- requirements for system
  - environmental, A-3
  - input power, A-2
- RS232, setting jumpers for, 11-29
- RS423, setting jumpers for, 11-29

## S

- safety requirements, 5-1

- SBus card, 11-1
  - removal/replacement, 11-2 to 11-5
- SCSI
  - SCSI connector pinout, B-1
  - SCSI data cable, removal/replacement, 9-13 to 9-14
  - SCSI targeting conventions, C-1
- selftest-#megs parameter, 2-5, 2-9
- serial connector pinout, B-4
- serial port jumpers, setting, 11-29
- speaker, 8-8
  - removal/replacement, 8-8 to 8-12
- specifications
  - environmental, A-3
  - physical, A-1
  - power, A-2
- standard features, 1-1
- SunDiag System Exerciser, 2-11
- SunMicrophone II, 12-4
- symbols, 5-2
- system
  - abnormal response, 6-2
  - subassembly access, 7-1
- system banner, 3-4
- system board
  - damage prevention, 10-1
  - handling instructions, 10-2
  - layout, 10-2
  - power connector pinout, 4-4
  - removal/replacement, 11-24 to 11-28
  - replaceable components, 10-3
  - setting jumpers, 11-29
  - SPARCstation 4, 10-2
  - testing, 4-5
  - voltage checkpoints, 4-5
- system cover
  - removal, 7-1
  - replacement, 7-4
- system unit
  - external options, 1-5
  - interior components, 1-2
  - interior view, 1-2
  - internal options, 1-4
  - rear panel illustration, 1-3

## T

- test <alias name>, D-3

- test <device path>, D-3
- test cdrom, 2-8
- test disk, 2-9
- test disk0, 2-9
- test disk1, 2-9
- test disk2, 2-9
- test disk3, 2-9
- test floppy, 2-8
- test keyboard, 2-9
- test net, 2-8
- test net-aui, 2-8
- test net-tpe, 2-8
- test screen, 2-8
- test scsi, 2-8
- test tape, 2-9
- test tape0, 2-9
- test tapel, 2-9
- test ttya, 2-9
- test ttyb, 2-9
- test-all, 2-9, D-4
- test-memory, 2-9, D-8
- testing the power supply, 4-3
- testing the system board, 4-5
- thick Ethernet, D-5
- tip connection, 3-5
- tip window, 3-6
- tools required, 5-3
- tpe-link-test? parameter, 2-8
- troubleshooting, 2-1 to 2-11
- turning off power, 6-1 to 6-3
- turning on power, 6-4
- twisted pair Ethernet, D-5
- twisted-pair Ethernet
  - connector pinout, B-4

## U

- use-nvramrc? parameter, 2-4

## V

- video connector pinout, B-9
- video output, none, 4-2
- voltage checkpoints, 4-3
- VSIMM, 11-20
  - removal/replacement, 11-20 to 11-22

## W

- watch-aui, 2-9
- watch-clock, 2-9, D-4
- watch-net, 2-9, D-4
- watch-net-all, 2-10, D-4
- watch-tpe, 2-10
- wrist strap, attaching, 7-3